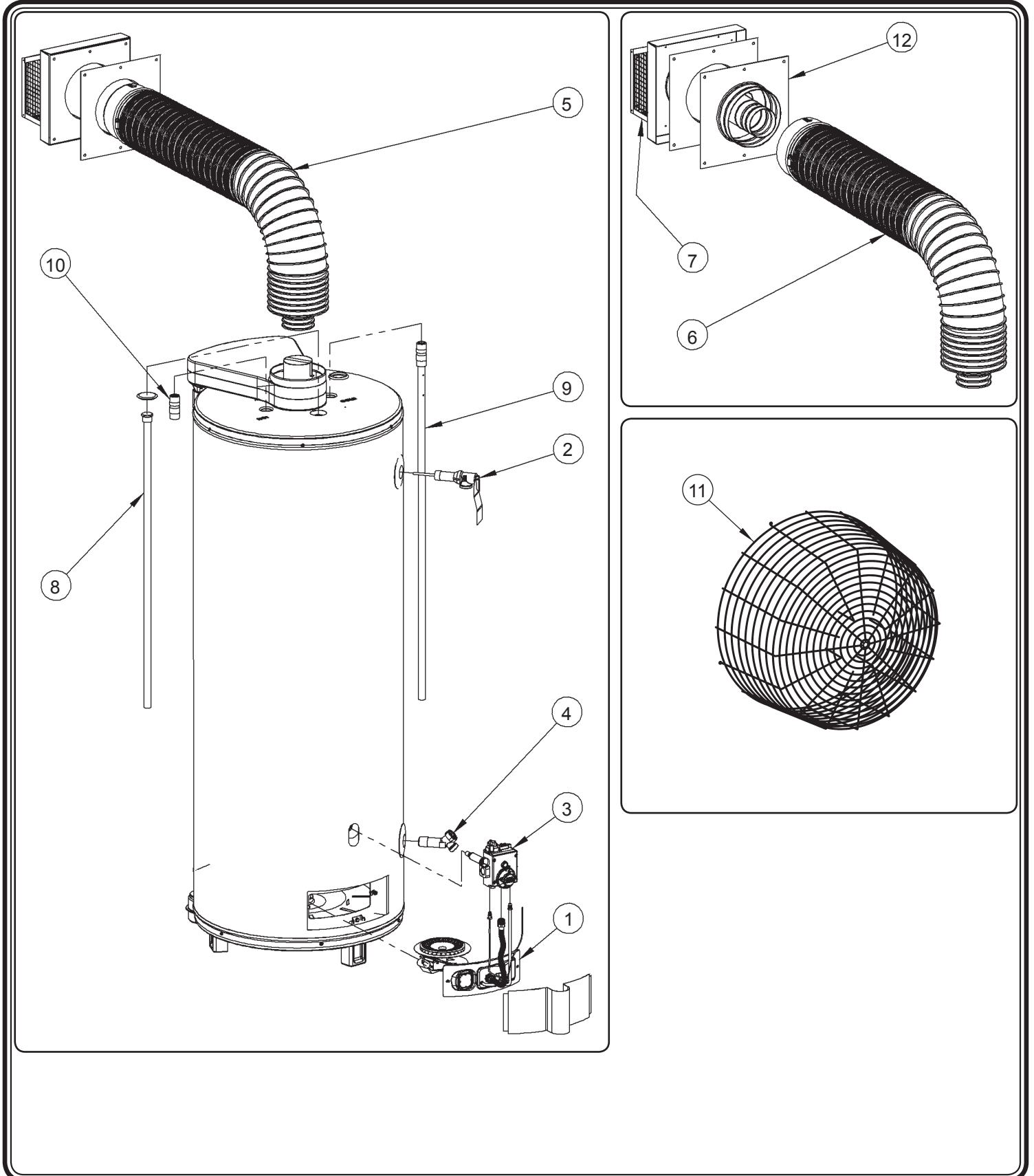


A.O. Smith Water Heaters

RESIDENTIAL WATER HEATER PARTS LIST



Item	Description	D 40-40 GDV 40	D 50-40 GDV 50	D 50-50 GDVT 50	D 75-55 GDV 75 (L)
1	DV Burner/Door Assembly NG	9006524005	9006525005	9006526005	9006693005
	DV Burner/Door Assembly LP	9006527005	9006528005	9006529005	9006694005
2	T&P Relief Valve	9001583005	9001583005	9001583005	9001583005
3	Gas Valve NG, WR 37C73U473	9006558005	9006558005	9006558005	9006558005
	Gas Valve LP, WR 37C72U472	9006537005	9006537005	9006537005	9006537005
4	Drain Valve brass	9003906015	9003906015	9003906015	9003906015
5	Direct Vent System Assembly	9006538005	9006538005	9006538005	9006677005
6	Direct Vent Pipe	9006539005	9006539005	9006539005	9006679005
7	Direct Vent Termination	9006540005	9006540005	9006540005	9006678005
8	Anode MG	9001829005	9001829005	9001829005	9001829005
	Anode outlet MG	9003938005	9003938005	9003938005	9003938005
	Anode AL	9006299005	9001453005	9001453005	9001453005
9	Dip Tube/ Heat Trap Assembly	9006532005	9006533005	9006534005	9006534005
10	Nipple Heat Trap 3"	9003915015	9003915015	9003915015	9003915015
11	DV Termination Safety Cover	9006627005	9006627005	9006627005	9006627005
12	DV Termination Trim Plates (2)	9006701005	9006701005	9006701005	9006701005

A.O. Smith Water Heaters

500 Tennessee Waltz Parkway, Ashland City, TN 37015
Phone: 800-433-2545 • Fax: 800-644-9306
Website: www.hotwater.com

Free Manuals Download Website

<http://myh66.com>

<http://usermanuals.us>

<http://www.somanuals.com>

<http://www.4manuals.cc>

<http://www.manual-lib.com>

<http://www.404manual.com>

<http://www.luxmanual.com>

<http://aubethermostatmanual.com>

Golf course search by state

<http://golfingnear.com>

Email search by domain

<http://emailbydomain.com>

Auto manuals search

<http://auto.somanuals.com>

TV manuals search

<http://tv.somanuals.com>