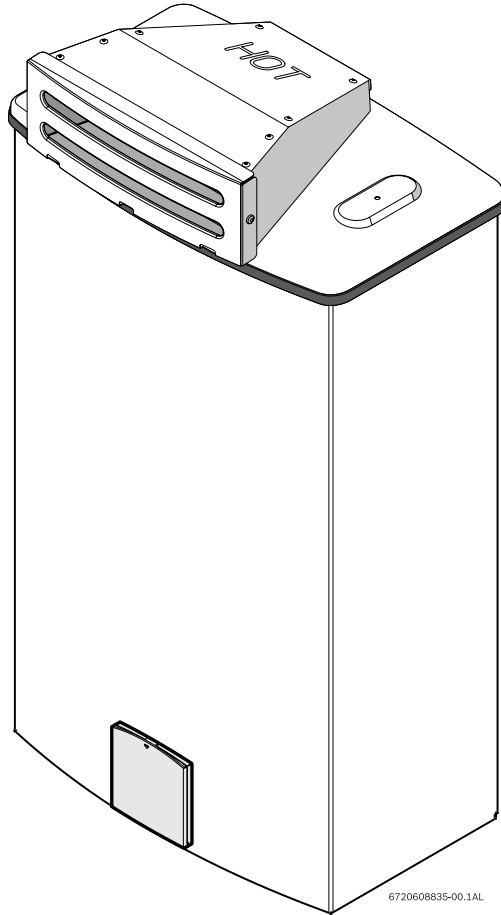




# Aquastar Tankless Water Heater

For Aquastar models: 2400 ES, 2700 ES

Part no. **AQOK**



**Warning:** This kit must be installed by a qualified installer in accordance with these instructions and all applicable codes and requirements of the authorities having jurisdiction.



## 1 Warning



**Danger:** The top of the outdoor kit will get very hot during operation. Keep away from children. Install heater in a location where the top of the kit cannot be reached by small children.



**Danger:** Flue gas will be released through the outdoor kit. Flue gas is very hot and contains carbon monoxide. The outdoor kit cannot be installed indoors. To prevent risk of fire and carbon monoxide poisoning, maintain all clearances indicated in these instructions.



**Danger:** Do not place or store any combustible material within 5 feet of the appliance. Maintain specified clearance to combustibles on the wall where the appliance is installed and any adjacent walls or overhang. Observe all clearances required in this manual.



**Danger:** Surface temperature of the kit is less than 140°F, except highest top surface which may reach 300°F.



**Warning:** Do not mount directly onto vinyl siding, see Fig. 8.

### This outdoor kit includes:

- Supports (2) with screws
- Sealing gasket
- Control panel shield
- Outdoor vent cap.

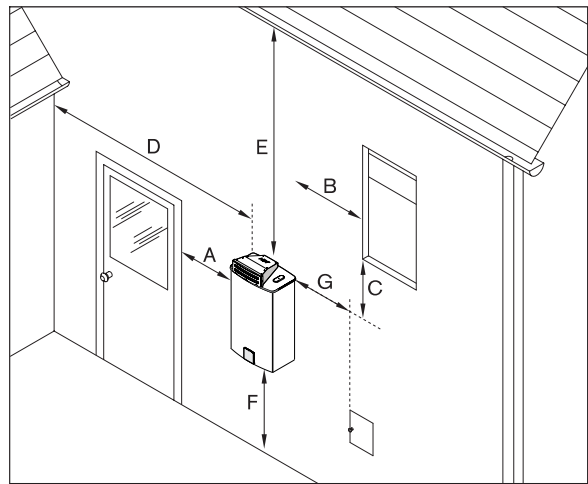
## 2 Selecting heater location

Before proceeding, read the water heater instructions manual. If the information in that manual is not followed exactly, a fire, explosion or poisoning by carbon monoxide may result causing property damage, personal injury or death.

- ▶ Choose an outside wall for the installation. Installation on a wall protected by an overhang above is recommended.
- ▶ Size the water and gas connections according to the instructions in the water heater installation manual. Use unions when connecting both water lines and gas supply line to the heater.

### Minimum clearances

If the appliance is installed under an overhang, there must be a 36" clearance from the top of the appliance and the mounting area must be open in front and on the sides of the appliance.



6720608835-01.1.AL

Fig. 1

Ref.	Description	Min. distances
A	Directly below or adjacent to an opening; operable windows, doors and any fresh air openings	≥ 4 ft
B		
C		
D	From any adjacent wall	≥ 4 ft
E	Below a gutter, sanitary pipework, eaves or overhang	≥ 3 ft
F	Above ground	≥ 1 ft
G	From a gas meter or gas regulator	≥ 5 ft

Table 1 Clearances

### 3 Installing outdoor kit

- ▶ 1. Remove the cover plate (A) installed on the top of the appliance, as shown in Fig. 2.
- ▶ 2. Fix the supports (B) to the appliance by fastening the four provided screws, as shown in Fig. 2.

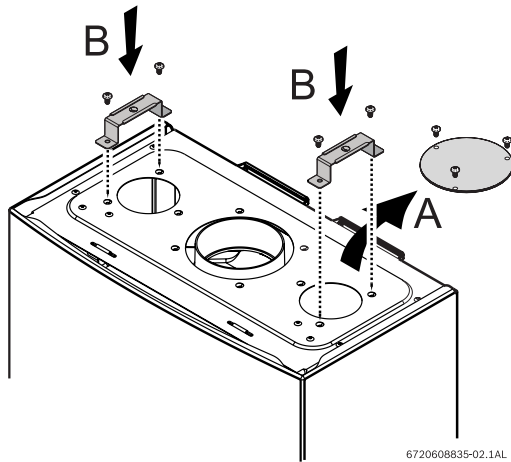


Fig. 2

Before mounting the outdoor kit in the appliance:

- ▶ 3. Attach the gasket provided with the kit as shown in Fig. 3.

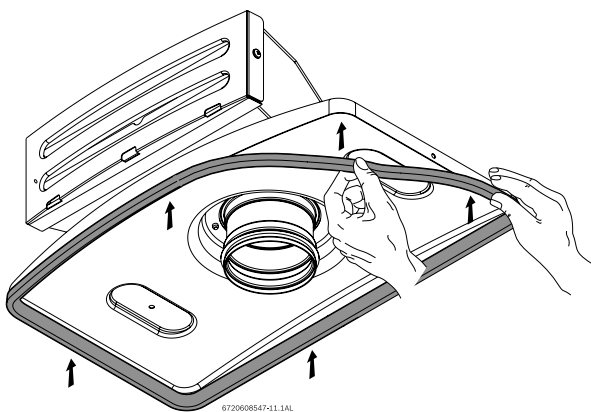


Fig. 3

- ▶ Position the outdoor vent cap on the top of the appliance, as shown in Fig. 4.

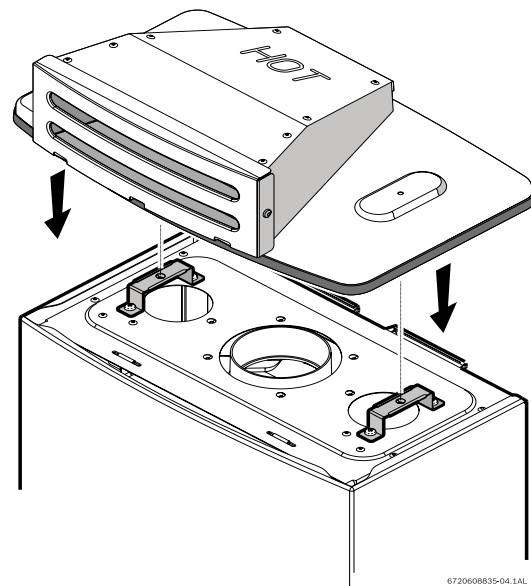


Fig. 4

- ▶ Attach the outdoor vent cap to the appliance by fastening the two provided screws and washers, see Fig. 5.

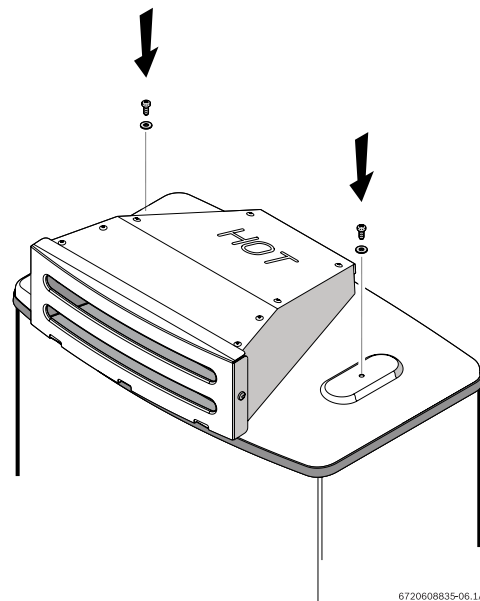


Fig. 5

## Installing outdoor kit

---

- ▶ Replace the control panel shield with shield provided in kit, see Fig. 6.

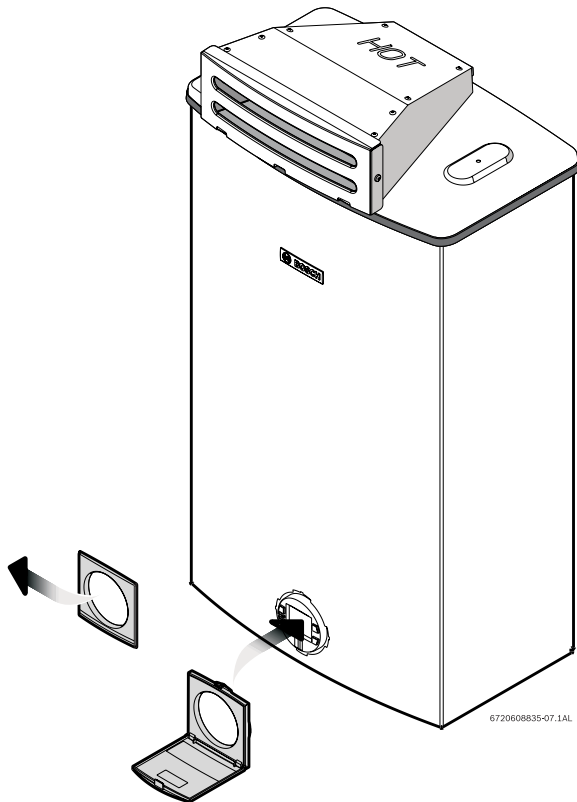


Fig. 6



**Warning:** The control panel shield must always remain closed, except when making adjustments, to prevent damage from weather.



**NOTE:** Once this kit is installed, the outdoor vent cap will need to be removed first, before taking the front cover off of the appliance.

## 4 Mounting instructions

- ▶ The water heater is approved for installation directly on an outside wall. Secure the wall mounting bracket provided with the water heater to a wall surface. See Fig. 7.
- ▶ The installation method of the mounting bracket will depend on what type of surface it's being mounted on. Due to the varying varieties of building siding or surfacing, the installer must decide on how best to support and level the heater on an outside wall. It is always recommended that horizontal or vertical support boards or plywood sheathing (1/2" minimum) first be attached to the wall surface. The heater must also be kept level on the wall surface.

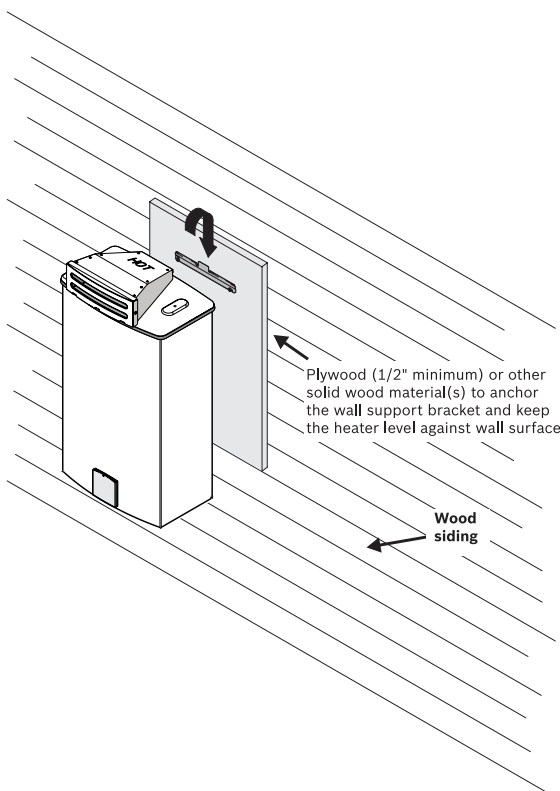


Fig. 7 Installation on wood siding



**Warning:** Do not mount heater directly to vinyl siding. With vinyl siding, a 6' x 4' area of the siding must first be removed and then replaced with wood or other non-plastic material. See Fig. 8.

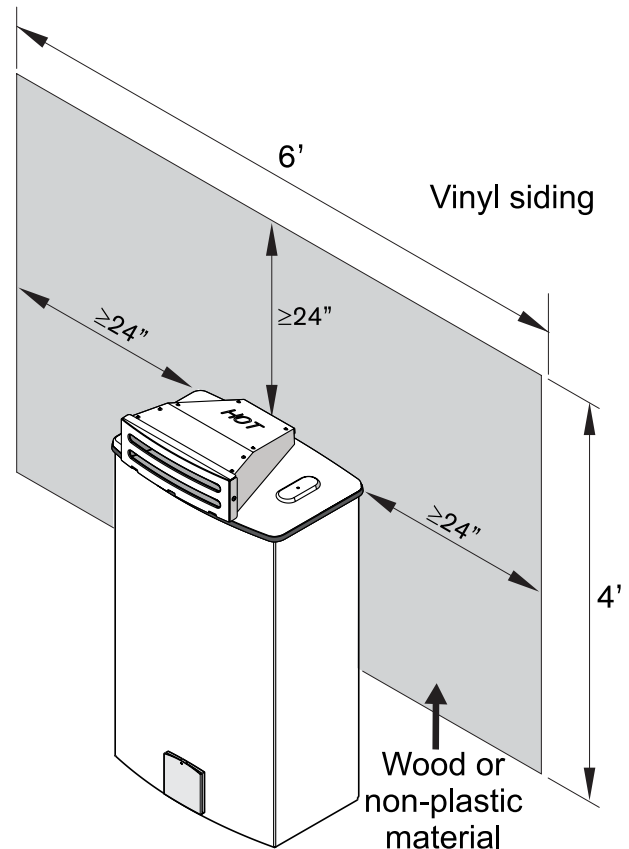


Fig. 8 Installation on vinyl siding

## 5 Electrical connections

- ▶ See **Electrical connections** section of the water heater installation manual.



**Warning:** Confirm that the water heater is appropriately grounded and that the installation meets all applicable electrical codes for outdoor installations.

- ▶ Start and operate the water heater according to the water heater installation manual. NOTE: Open the control panel shield to access the controls of the heater, see Fig. 6.

## 6 Measuring carbon dioxide (CO<sub>2</sub>)



**Warning:** Outdoor vent cap will get very hot during operation.

- ▶ Ensure the vent cap is cool before performing the procedure below.
- ▶ To measure CO<sub>2</sub> on this appliance, a measuring port is available under the louvered grill on the front of the outdoor vent cap.
- ▶ To access measuring port, remove two screws on either side of the louvered grill.
- ▶ Pull louvered grill free from vent cap.
- ▶ When measuring is complete, replace louvered grill with screws.

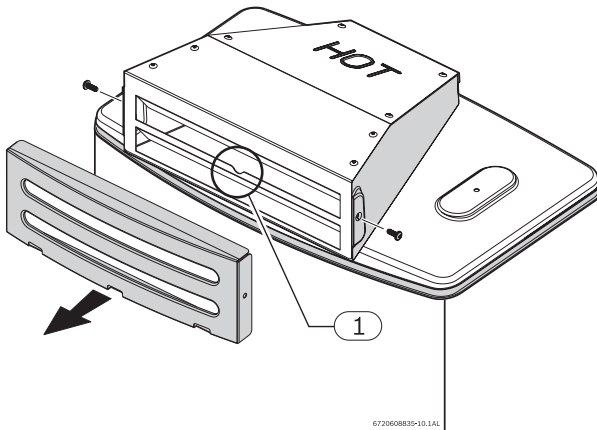


Fig. 9

1 Measuring port

## 7 Notes

Replacement Parts available from:

**BBT** North America Corporation  
Bosch Group

Bosch Water Heating  
50 Wentworth Avenue  
Londonderry, NH 03053  
Tel. 866-330-2730  
[www.boschpro.com](http://www.boschpro.com)

BBT Termotecnologia Portugal, S.A.  
Estrada de Cacia  
3801 - 856 Aveiro - PORTUGAL



## Free Manuals Download Website

<http://myh66.com>

<http://usermanuals.us>

<http://www.somanuals.com>

<http://www.4manuals.cc>

<http://www.manual-lib.com>

<http://www.404manual.com>

<http://www.luxmanual.com>

<http://aubethermostatmanual.com>

Golf course search by state

<http://golfingnear.com>

Email search by domain

<http://emailbydomain.com>

Auto manuals search

<http://auto.somanuals.com>

TV manuals search

<http://tv.somanuals.com>