



AA-SMG INSTRUCTIONS

Thank you for purchasing the Atlas Sound AA-SMG masking module. Please read this instruction sheet carefully prior to use to assure a clear understanding of the flexibility the AA120M and AA-SMG offers you. Prior to using any Atlas Sound module please read the AA120M manual prior to use. It is very important for one to know the difference between Amp Direct and Mix Bus modes.

KEY FEATURES

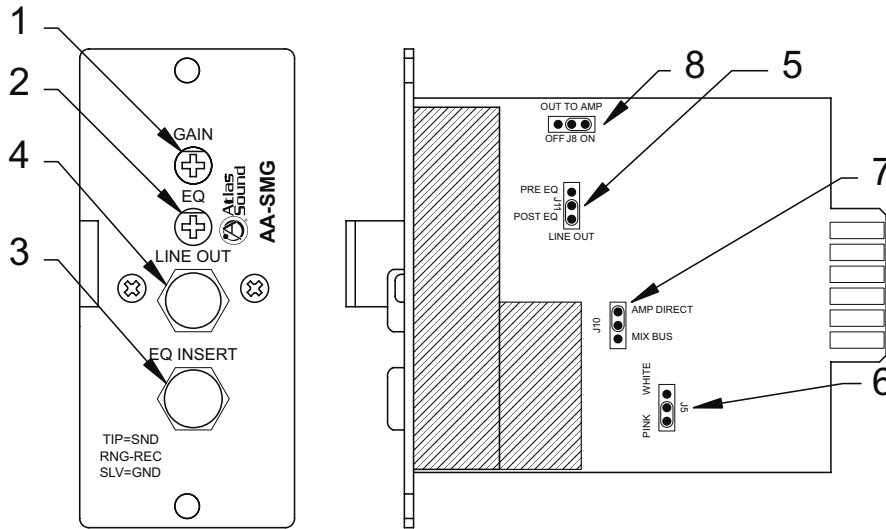
1. **Gain Trim** – When the gain is set to max (Clockwise), it is designed that the 70v output will not exceed 30v. When fully attenuated the module will have a 1v or less at the 70v outputs
2. **EQ Trim**– The EQ filter operating range is between 1 KHz and 8 kHz with a slope of 6db per octave. When the potentiometer is rotated fully clockwise the variable Hi-Cut filter is at 8 kHz.
3. **EQ Insert** – This TRS insert jack allows you to use an external equalizer for fine tuning of the system. Tip = Send to the EQ, Ring = Return from the EQ and Sleeve is the ground.
4. **Line Out** – This feature allows you use the generator to send a signal to another amplifier for multizone masking. You have the selection of two signal pick up points, Pre EQ or Post EQ. The Pre EQ is a fixed level of 250mv. The Gain, EQ or Insert jack have no effect on the Line Output. If Post EQ is selected, the Line Out signal is affected by the Gain level, EQ setting and the Insert Jack. In Post EQ mode the Line Out signal is the same signal that the AA120M is receiving.
5. **Post or Pre EQ (jumper J11)** – This is for the Line Out jack signal. To select this function, prior to inserting the module into the amplifier, locate (jumper J11) header and place the jumper to the desired selection. Note: You only need to move the jumper one pin over for connection. The middle pin is always connected.
6. **Pink and White Noise selection (jumper J5)**- Reposition the jumper for desired signal type. The middle pin is always connected.
7. **Amp Direct and Mixed Bus (jumper J10)** – This selection determines the master gain feeding the amplifier. It also works in conjunction with Input 6 module selection switch position 5 located on the rear panel of the AA120M. We suggest when using the AA-SMG module, the amp and module and AA120M are set to the Amp Direct position. The middle pin is always connected.
8. **Out to Amp (jumper J8)** – If you do not want the AA-SMG signal to go to the AA-120M and want to use the module to feed an external amplifier set this jumper to the OFF position.

Specifications are subject to change without notice



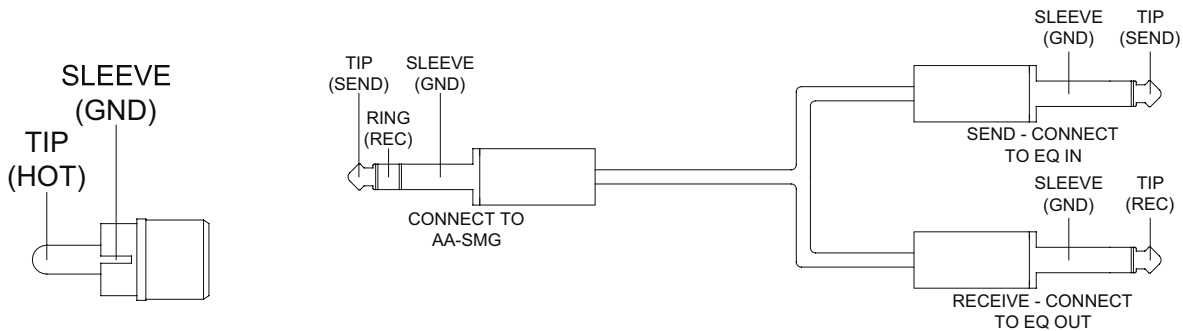
**Atlas
Sound**

AtlasSound.com



SET UP - PRIOR TO INSTALLING THE AA-SMG MODULE, YOU MUST DECIDE THE FOLLOWING.

1. Select White or Pink Noise (**jumper J6**)
2. Select Amp Direct or Mix Bus operation (**jumper J7**).
3. Turn the module gain pot down counter clockwise (Left direction).
4. Turn EQ pot clockwise (Right direction).
5. Turn the AA120M power switch off.
6. Carefully inset the AA-SMG module into the card guider rails. Push until card is seated and the panels are flush. Secure with screws.
7. Select the AA120M input module mode, switch #5 located on the rear panel of the amp.
8. Turn all levels down on amplifier. Note if the module is in Amp Direct mode, the only level control you have for masking is the Gain pot on the AA-SMG. The Master and Input 6 levels on the AA120M are bypassed. All other channels operate normally.
9. Turn the amp on. You should be hearing either White or Pink noise.
10. Whenever connecting the Line Out or Insert jack, always turn off the AA120M prior to connection.
11. Tune the system as needed. Always a good suggestion to refer to Atlas's white paper on masking.



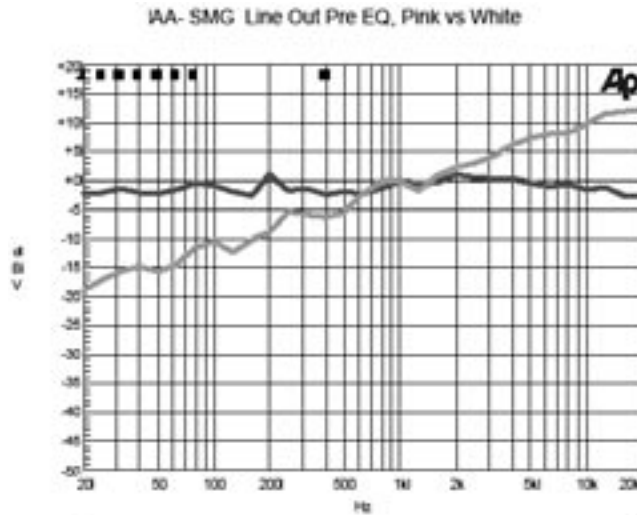
Specifications are subject to change without notice



AtlasSound.com

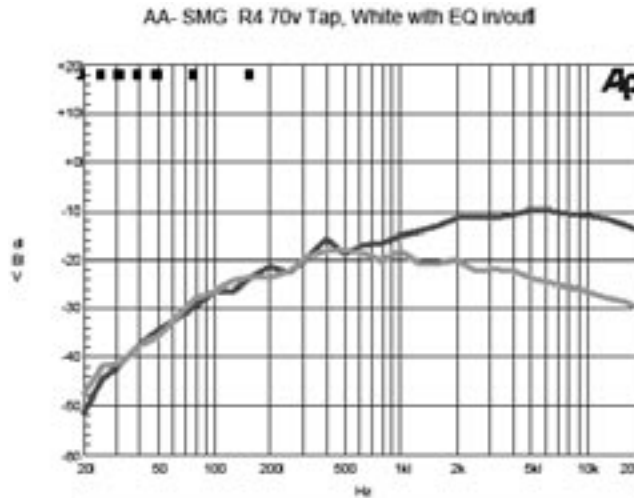


GRAPH #1



#1 AA-SMG – This graph illustrates the comparison of the Line Out White Noise vs. Pink Noise with no EQ by passed.

GRAPH #2



#2 This graph shows the 70v tap output waveform of the AA120M with the AA-SMG in White Noise mode. The graph comparison is indicating the EQ trim engaged (Counterclockwise) or disengaged (Clockwise). Note: This graph also indicates the bandwidth of the AA-SMG through the AA120M amplifier and 70v transformer.

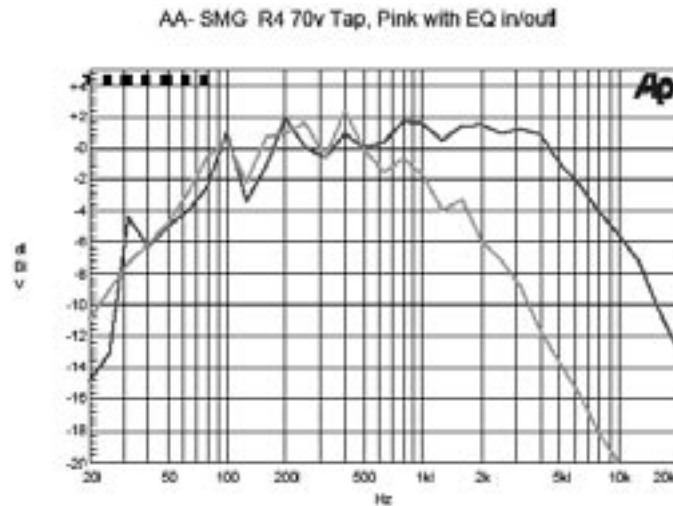
Specifications are subject to change without notice



AtlasSound.com



GRAPH #3



#3 This graph shows the 70v tap output waveform of the AA120M with the AA-SMG in Pink Noise mode. The graph comparison is indicating the EQ trim engaged (Counterclockwise) or disengaged (Clockwise). Note: This graph also indicates the bandwidth of the AA-SMG through the AA120M amplifier and 70v transformer.

AA-SMG SPECIFICATIONS:

Filter Selection: White, Pink Noise

Gain Controls: 70v output AA120, 1v minimum – 30v maximum

Input Connection: EQ insert via TRS 1/4" jack.

Line Output: RCA Unbalanced, Pre EQ fixed 300mV, Post EQ variable 60mv – 1.4V

EQ Control: Variable Low Cut 1KHz – 7KHZ, defeatable on Line Out

Supply Voltage: 24 VDC, 30 mA internally derived from AA120M amplifier

Panel Finish: Silver

Dimensions: 1.38" W., x 3" H. x 3" D. (35X78X78 mm)

Specifications are subject to change without notice



AtlasSound.com

Free Manuals Download Website

<http://myh66.com>

<http://usermanuals.us>

<http://www.somanuals.com>

<http://www.4manuals.cc>

<http://www.manual-lib.com>

<http://www.404manual.com>

<http://www.luxmanual.com>

<http://aubethermostatmanual.com>

Golf course search by state

<http://golfingnear.com>

Email search by domain

<http://emailbydomain.com>

Auto manuals search

<http://auto.somanuals.com>

TV manuals search

<http://tv.somanuals.com>