

USER MANUAL

WIRELESS HDMI TRANSMITTER AND RECEIVER BOX AT-WHD200





TABLE OF CONTENTS

1. Introduction	3
2. Application	3
3. Contents	3
4. System Require	3
5. Features	3
6. Operation Controls and Functions	4
6.1 Wireless HDMI Transmitter Front Panel	4
6.2 Wireless HDMI Transmitter Rear Panel	5
6.3 Wireless HDMI Receiver Front Panel	5
6.4 Wireless HDMI Receiver Rear Panel	6
7. Connection and Installation	6
8. Specifications	7
9. Safety Information	8
10. Warranty	9
11. Product Registration	10

INTRODUCTION

The wireless HDMI transmitter and receiver box are using UWB(Ultra-wideband) technology with breakthrough Wireless for HDMI (High-Definition Multimedia interface) offering its designed to enable wireless video and audio connections.

APPLICATION

Input source can be HDMI, Component and analog audio with all types of products – HDTVs, video projectors, DVD players, set-top boxes, game systems and other home entertainment products. The output to HDTV is industry-standard HDMI, and analog audio.

CONTENTS

- Wireless HDMI Transmitter x 1
- Wireless HDMI Receiver x 1
- 5V 2.6A Power adaptor x 2
- Operational Manual x 1

SYSTEM REQUIRE

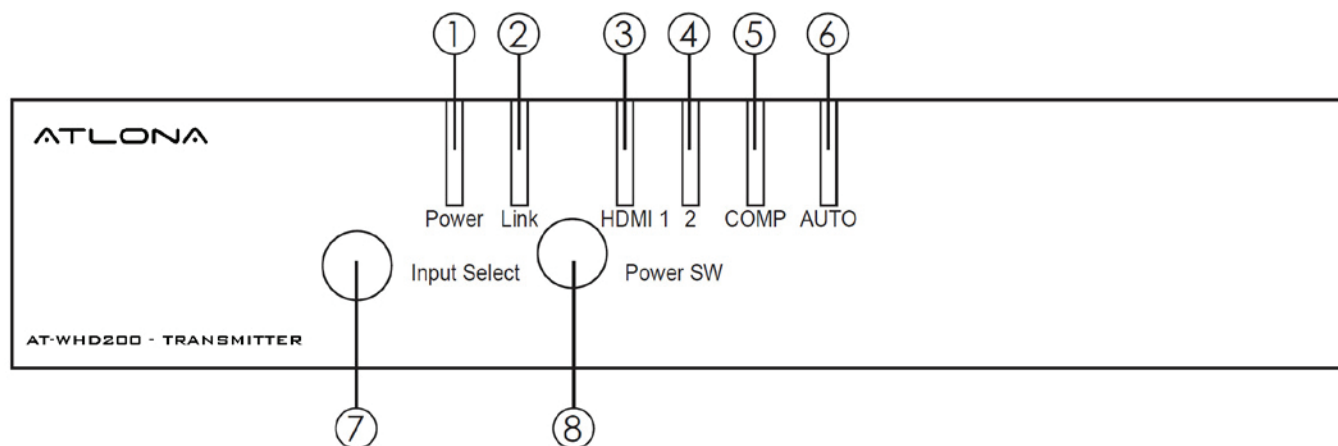
Input sources with HDMI and or component cable and output display LCD monitor or HD TV with HDMI cable.

FEATURES

- HD audio/video wireless transmission at wire-equivalent quality.
- Supports most video resolution including 480i/p, 576i/p, 720p, 1080i and 1080p 24/30 (1080p 50/60 excluded).
- 10 meters open field, no line of sight required.
- Strong 128-bit AEC based encryption.
- Ultra-wideband (WiMedia Alliance Certified) with TZero's patented
- UltraMIMO™ signal processing technology for extended range and reliability.
- Minimal system overhead.

OPERATION CONTROLS AND FUNCTIONS

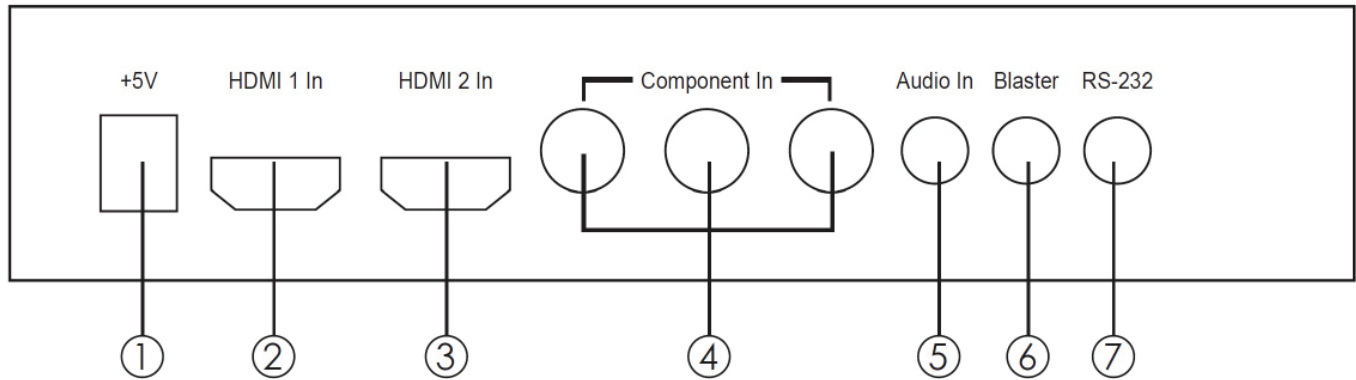
6.1. Wireless HDMI Transmitter Front Panel



1. Power LED – Blue LED illuminate when the power is on.
2. Link LED – Red LED illuminate when HDMI transmitter link up with Wireless HDMI receiver.
3. HDMI 1 LED – Green LED illuminate when input source select HDMI 1.
4. HDMI 2 LED – Green LED illuminate when input source select HDMI 2.
5. COMP LED – Green LED illuminate when input source select Component.
6. AUTO LED – Green LED illuminate when input source select in Auto Mode.
6.1 Auto Mode detection: 1. HDMI 1 → 2 HDMI 2 → 3 Component
7. Input Selection button – Select input source of HDMI 1, HDMI 2, Component and Auto mode.
8. Power SW button – Power switch to power on or switch off the device.

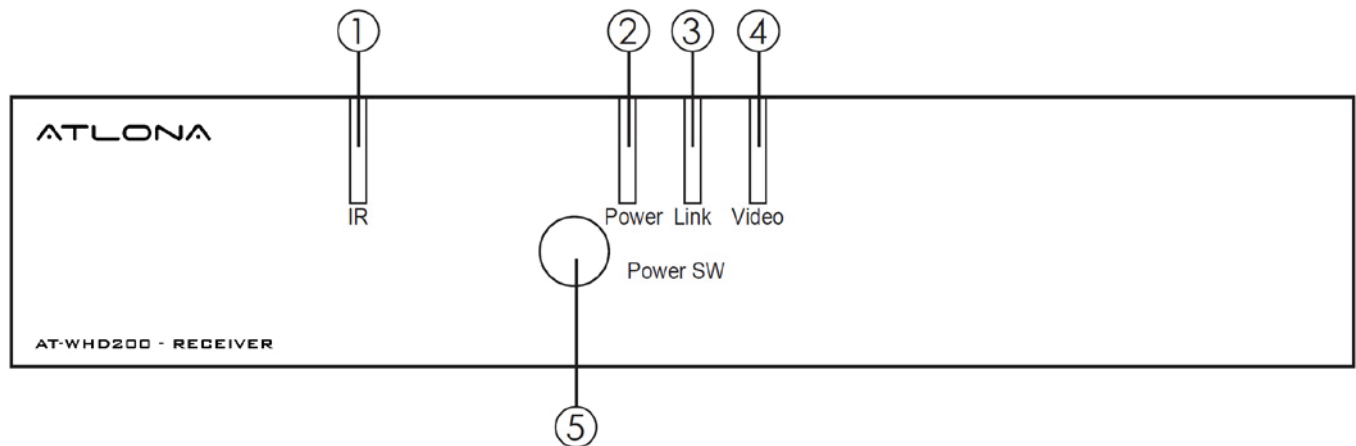


6.2 Wireless HDMI Transmitter Rear Panel



1. +5V – Power jack for plugging the adaptor from the power source.
2. HDMI 1 In – Plug with HDMI cable from the input source device.
3. HDMI 2 In – Plug with HDMI cable from the input source device.
4. Component In – Plug with component video cable from the input source device.
5. Audio In – Plug with 3.5mm phone jack audio cable from the input source device.
6. Blaster – Plug with IR Blaster cable for remote control the source devices with existing controller.
(Optional, excluded in this model)
7. RS-232 – This function is for manufacturing use only.

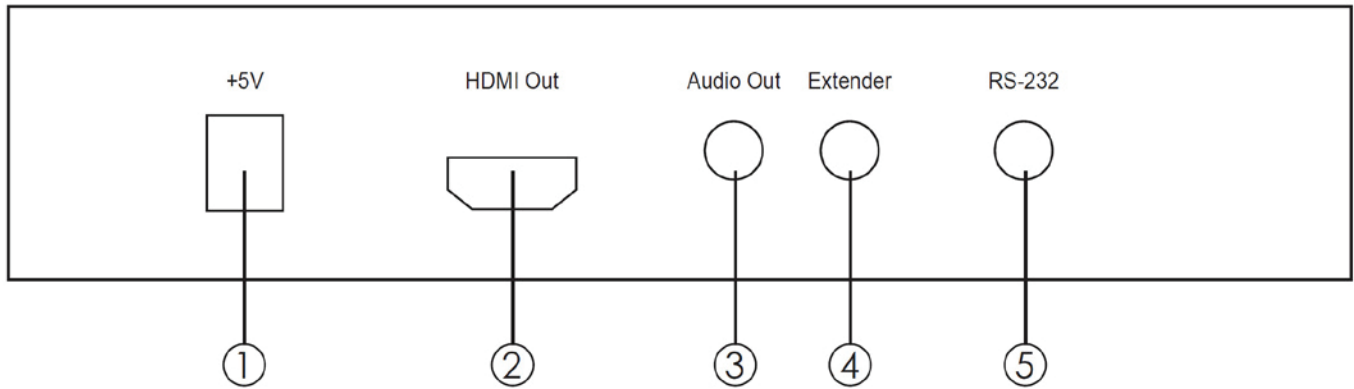
6.3 Wireless HDMI Receiver Front Panel



1. IR – IR receiver for remote signal to control the input source equipment.
2. Power LED – Blue LED illuminate when the device is power on.
3. Link LED –Red LED illuminate when HDMI receiver link up with Wireless HDMI transmitter.
4. Video – Green LED illuminate when input source signal is received and send to display.
5. Power SW – Power switch for power on the device and power off.

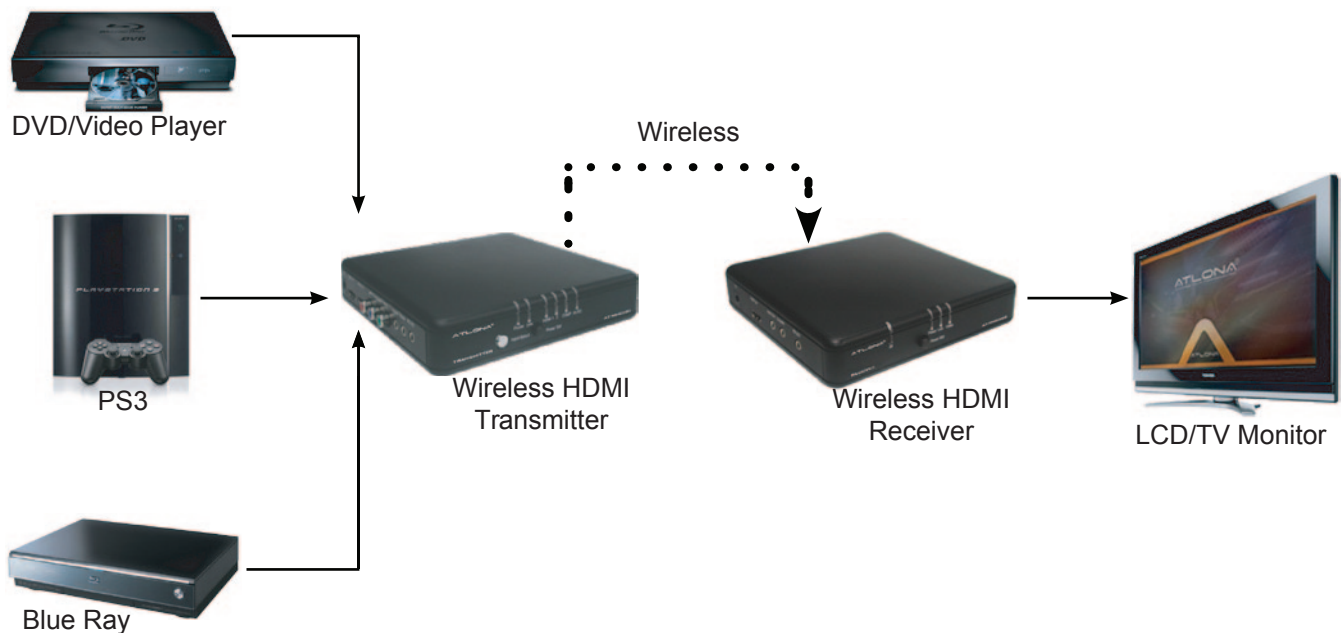


6.4 Wireless HDMI Receiver Rear Panel



1. +5V – Power jack for plugging the adaptor from the power source.
2. HDMI Out – Plug with HDMI cable to the output display device.
3. Audio Out – Plug with 3.5mm phone jack audio cable to the output display device.
4. Extender – Plug with IR Extender cable to extend the IR receiver function from the device and remote control the source devices with existing controller. (Optional, excluded in this model)
5. RS-232 - This function is for manufacturing use only.

CONNECTION AND INSTALLATION





SPECIFICATIONS

StandardW	Wireless HDMI UWB (Ultra-wideband)
Video resolutions support	480i, 480p, 576i, 576p, 720p, 1080i and 1080p(24fps/30fps)
Frequencies Supported3	.1 ~ 4.8GHz
HDMI	HDMI v1.2a
Audio encoding	2-Channel
Surround, Analog	33kHz, 44.1kHz, 48kHz
IR	Support 38kHz
Hardware encryption	128 bit AEC
Wireless Range	10M in room straight line
Power Supply5	V/2.6A DC (US/EU standards, CE/FCC/UL certified)
Dimensions (mm)	162.6(W) x 164.5(D) x 33.5(H)
Weight(g)S	Sender: 348 Receiver: 316
Chassis Material	Plastic
Silk Skin ColorB	Black
Operating TemperatureO	Operating from 0°C ~ 40°C
Power ConsumptionS	Sender: 8W, Receiver: 8W

SAFETY INFORMATION

Safeguards



To reduce the risk of electric shock, do not expose this product to rain or moisture



Do not modify the wall plug. Doing so will void the warranty and safety features.



If the wall plug does not fit into your local power socket, hire an electrician to replace your obsolete socket.



This equipment should be installed near the socket outlet and the device should be easily accessible in the case it requires disconnection.

Precautions

FCC regulations state that any unauthorized changes or modifications to this equipment, not expressly approved by the manufacturer, could void the user's authority to operate this equipment.

Operate this product using only the included external power supply. Use of other power supplies could impair performance, damage the product, or cause fires.

In the event of an electrostatic discharge this device may automatically turn off. If this occurs, unplug the device and plug it back in.

Protect and route power cords so they will not be stepped on or pinched by anything placed on or against them. Be especially careful of plug-ins or cord exit points from this product.

Avoid excessive humidity, sudden temperature changes or temperature extremes.

Keep this product away from wet locations such as bathtubs, sinks, laundries, wet basements, fish tanks, and swimming pools.

Use only accessories recommended by Atlona to avoid fire, shock, or other hazards.

Unplug the product before cleaning. Use a damp cloth for cleaning and not cleaning fluid or aerosols. Such products could enter the unit and cause damage, fire, or electric shock. Some substances may also mar the finish of the product.

Never open, remove unit panels, or make any adjustments not described in this manual. Attempting to do so could expose you to dangerous electrical shock or other hazards. It may also cause damage to your AT-WHD200. Opening the product will void the warranty.

Do not attempt to service the unit. Disconnect the product and contact your authorized Atlona reseller or contact Atlona directly.

WARRANTY

Limited Warranty

Atlona Technologies warrants that (a) its products (the AT-WHD200) will perform substantially in accordance with the accompanying written materials for a period of 3 years from the date of receipt and (b) that the product will be free from defects in materials and workmanship under normal use and service for a period of 3 years. In the event applicable law imposes any implied warranties, the implied warranty period is limited to 3 years from the date of receipt. Some jurisdictions do not allow such limitations on duration of an implied warranty, so the above limitation may not apply to customers that fall within those areas.

Customer Remedies

Atlona Technologies' and its suppliers' entire liability and Customer's exclusive remedy shall be, at Atlona Technologies' decision, either return of the price paid for the product, repair, or replacement of the product that does not meet this Limited Warranty and which is returned to Atlona Technologies with a copy of the Customer's receipt. This Limited Warranty is void if failure of the product has resulted from accident, abuse, misapplication, or natural occurrence. In example but not limited to: power surges (electrical storms, local power outage), dropping the product (or items on the product), contact with fluids, and physical misconduct (i.e. kicking or punching). Any replacement product will be warranted for the remainder of the original warranty period.

No other warranties

To the maximum extent permitted by applicable law, Atlona Technologies and its suppliers disclaim all other warranties, either expressed or implied, including, but not limited to, implied warranties of merchantability and fitness for a particular purpose, with regard to the product and any related written materials. This Limited Warranty gives customer specific legal rights. Customers may have other rights depending on the jurisdiction.

No liability for damages

To the maximum extent permitted by applicable law, in no event shall Atlona Technologies or its suppliers be liable for any damages arising out of the use of or inability to use this product, even if Atlona Technologies has been advised of the possibility of such damages. Such damages include but are not limited to: special, incidental, consequential, or indirect damages for personal injury, loss of business profits, business interruption, loss of business information, or any other pecuniary loss. Atlona Technologies' and its suppliers' entire liability under any provision of this agreement shall be limited to the amount actually paid by you for the product. Some Jurisdictions do not allow the exclusion or limitation of liability for consequential or incidental damage. The above limitations may not apply to you in such jurisdictional cases.

ATLONA PRODUCT REGISTRATION

Thank you for purchasing this Atlona product. - We hope you enjoy it and will take an extra few moments to register your new purchase.

Registration creates an ownership record if your product is lost or stolen and helps ensure you'll receive notification of performance issues and firmware updates.

At Atlona, we respect and protect your privacy, assuring you that your registration information is completely secure. Atlona product registration is completely voluntary and failure to register will not diminish your limited warranty rights.

To register go to: <http://www.atlona.com/registration>

Free Manuals Download Website

<http://myh66.com>

<http://usermanuals.us>

<http://www.somanuals.com>

<http://www.4manuals.cc>

<http://www.manual-lib.com>

<http://www.404manual.com>

<http://www.luxmanual.com>

<http://aubethermostatmanual.com>

Golf course search by state

<http://golfingnear.com>

Email search by domain

<http://emailbydomain.com>

Auto manuals search

<http://auto.somanuals.com>

TV manuals search

<http://tv.somanuals.com>