

Product Features

- Single hole mounting
- Single control with ceramic cartridge
- Swivel aerator
- Cascade no-clog aerator
- 2.2 gpm max.
- Includes pop-up drain

Code Compliance

This unit meets or exceeds the following:

- ASME A112.18.1
- CSA B125.1
- Listed by IAPMO
- Approved for use in Massachusetts
- ADA compliant

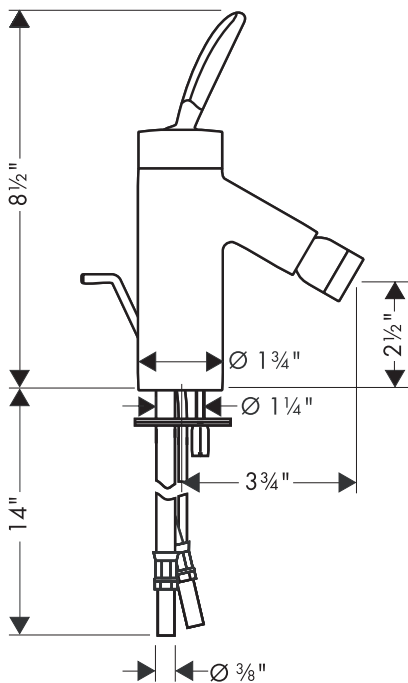
Available Finishes

Chrome

10200001

Brushed Nickel

10200821



The measurements shown are for reference only.

Products and specifications shown are subject to change without notice.

Specification sheet revised 11/2007

Free Manuals Download Website

<http://myh66.com>

<http://usermanuals.us>

<http://www.somanuals.com>

<http://www.4manuals.cc>

<http://www.manual-lib.com>

<http://www.404manual.com>

<http://www.luxmanual.com>

<http://aubethermostatmanual.com>

Golf course search by state

<http://golfingnear.com>

Email search by domain

<http://emailbydomain.com>

Auto manuals search

<http://auto.somanuals.com>

TV manuals search

<http://tv.somanuals.com>