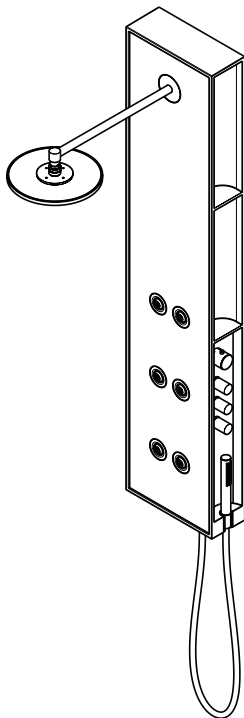


# Installation Instructions / Warranty

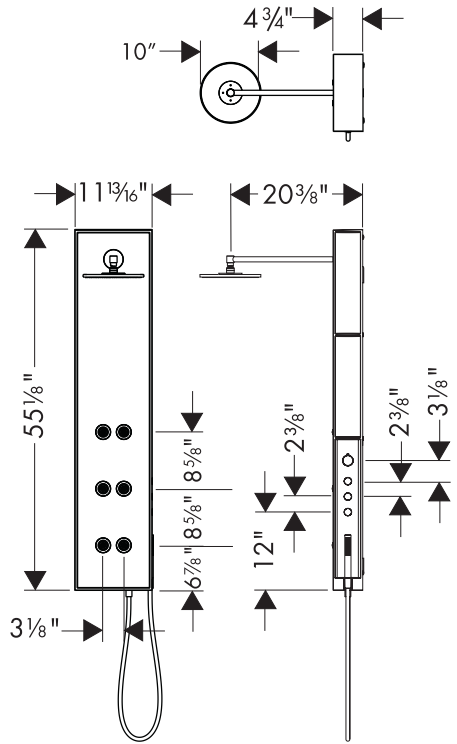
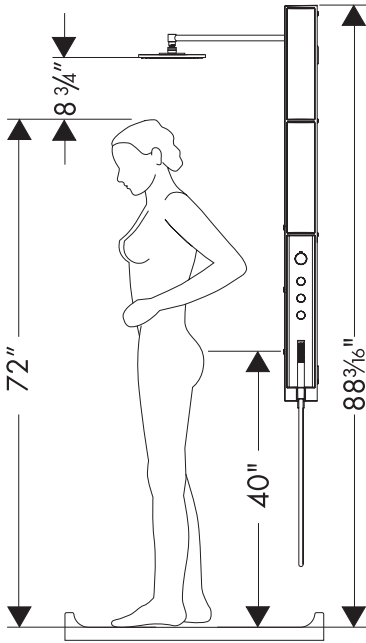


**Starck X**  
10920001

**AXOR**<sup>®</sup>  
hansgrohe

# Starck X Waterwall

10920001



## Technical Data

Flow rates @ 45 psi

Showerhead	2.5 gpm
Handshower	2.5 gpm
Bodysprays	4.3 gpm

Maximum water pressure 145 psi

Recommended water pressure: 40 - 75 psi

Recommended hot water temp.: 120°F - 140°F\*

- A check valve is installed in the handshower outlet.
- The high temperature limit stop may be reset to comply with local plumbing codes. See page 5.
- This unit is listed by IAPMO and is approved for use in Massachusetts.
- **Please save this document as it contains user, maintenance and warranty information.**

\*Please know and follow all applicable local codes when setting the temperature on the water heater. In Massachusetts, the water heater may be set no higher than 112°F.

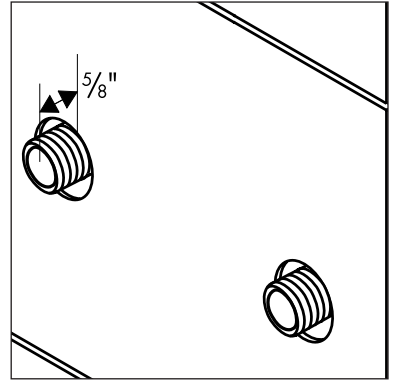
## Preparation

The Waterwall requires 1/2" NPT male nipples, extending 5/8" outside the surface of the finished wall for the hot and cold water supplies.

For proper operation of the thermostatic mixer, the hot supply should be on the left and the cold supply should be on the right.

Finish and seal the wall prior to installation of the Waterwall.

Flush the supply lines thoroughly before installation.



## Installation

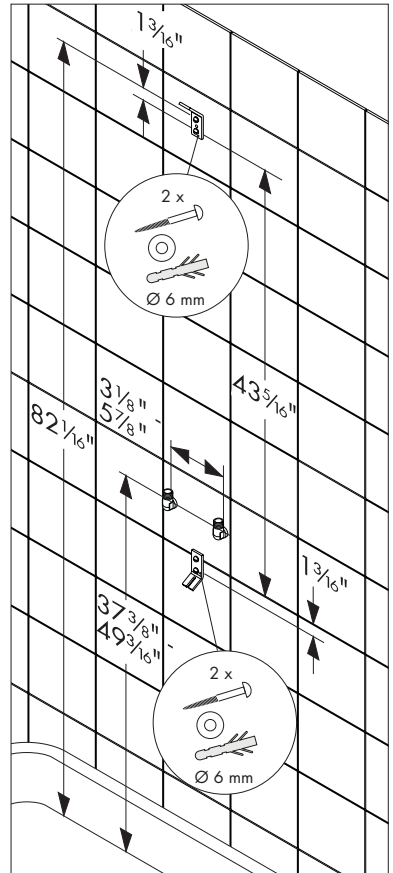
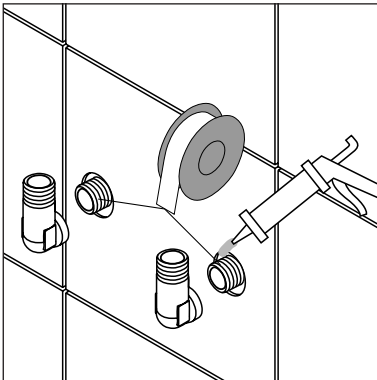
Drill the holes for the top and bottom mounting brackets, using a 6 mm bit. Install the anchors. Seal around the anchors with waterproof sealant.

Screw the mounting brackets to the wall with the screws provided.

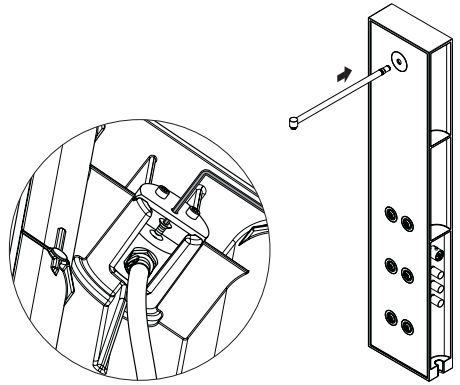
Wrap the threads on the nipples with Teflon tape. Install the elbows so that the outlets face upwards.

 **Seal the wall around the nipples and anchors with waterproof sealant.**

 **Failure to seal the wall can lead to possible water damage.**

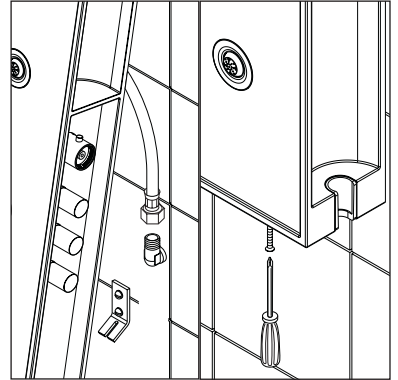


Push the shower arm into place on the Waterwall.  
Tighten the set screw, using the Allen wrench  
(included).



Hang the shower wall on the top mounting bracket.  
With a helper holding the panel, attach the hoses to  
the elbows.

Install the bottom retaining screw and tighten with a  
screwdriver.

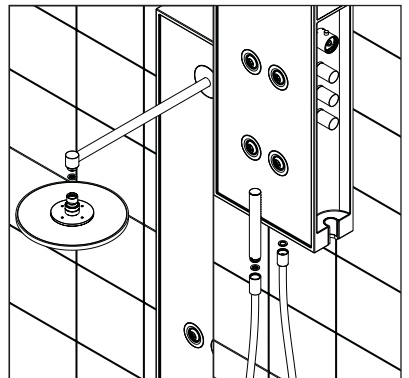


Carefully install the showerhead on the shower arm.

Insert a hose washer in one end of the handshower hose.  
Connect this end to the Waterwall.

Insert the screen washer in the other end of the hose. Con-  
nect this end to the handshower.

Place the handshower in the holder on the side of the  
Waterwall.

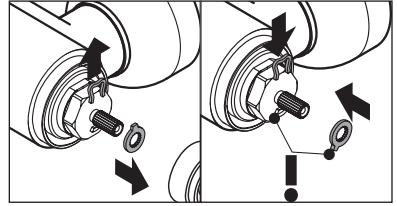


## Set the High Temperature Limit Stop (optional)

Remove the thermostatic mixer handle. Carefully remove the retaining clip and the stop ring from the stem.

Turn the water on to the handshower. Place a thermometer in the water stream. Turn the thermostatic mixer stem until the water coming out is the maximum allowable output temperature (usually 110° - 112°F).

Reinstall the stop ring so that it butts against the stop. Reinstall the clip.

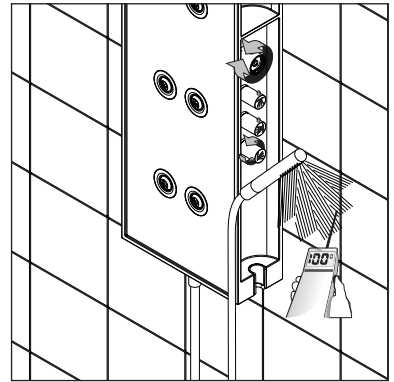


## Justify the Thermostatic Mixer Handle

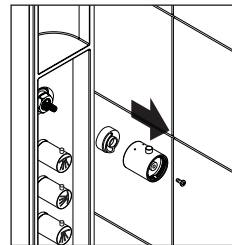
Turn on the water to the handshower.

Place a thermometer in the water stream. Turn the thermostatic mixer handle until the water coming out measures 100°F. Turn the water off.

**Save time and frustration:** if turning the thermostatic mixer handle gives both hot and cold water, **but** the water does not mix, the hoses have been connected to the incorrect supplies. Please disconnect the hoses, reattach them to the correct supplies and test the unit **before** calling the Hansgrohe Technical Service center.



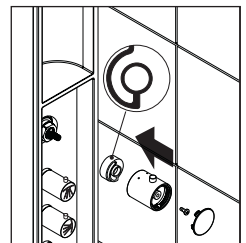
Remove the thermostatic mixer handle and the safety set.



Reinstall the safety set so that the indicator is at the 12:00 position.

Reinstall the handle so that the safety stop override button is at the 12:00 position.

Tighten the handle screw and replace the screw cover.



## User Instructions

**Using the Thermostatic Mixer:** turn the handle clockwise to obtain cooler water and counter-clockwise to obtain warmer water. The handle will stop when the water temperature is 100° - this is the safety stop. To obtain water than 100°F, push the safety stop override button and continue turning the handle counter-clockwise.

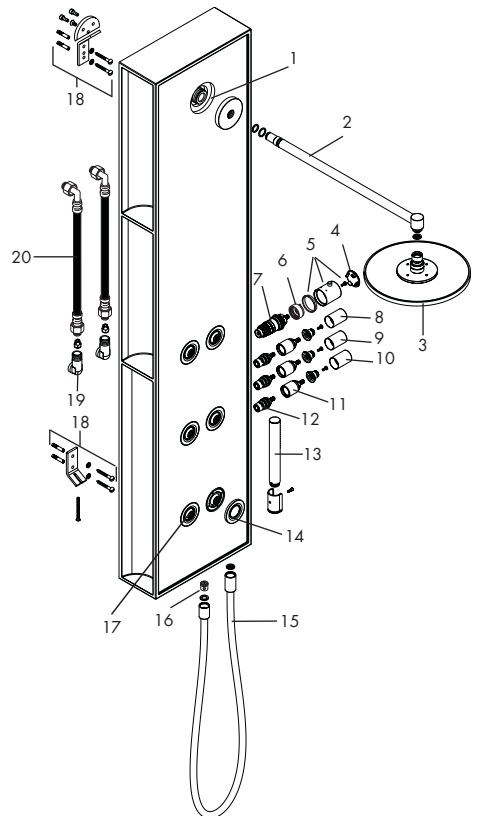
**To turn on the water to the desired function(s),** turn the corresponding volume control handle(s).

**Using the handshower:** The Starck handshower has two spray modes, full and soft spray. Turn the end of the handshower to select the spray mode.

**Cleaning:** The showerhead and handshower use the Quick Clean™ self-cleaning function. If scale deposits are noticed in the spray channels, turn the water on lightly and rub across the channels with a finger or a sponge to clear them.

## Replacement parts

1	escutcheon	97338000
2	shower arm	97339000
3	head shower	28494001
4	cover	96483000
5	handle for thermostat	96519001
6	safety set for temperature control	95041000
7	thermostat cartridge	94282000
8	handle	97340000
9	handle	97441000
10	handle	97341000
11	sleeve	97342000
12	shut off unit	94009000
13	handshower	28532001
14	escutcheon	97343000
15	hose	28282000
16	check valve DW 15	94074000
17	bodyspray	21867000
18	mounting kit	97344000
19	hose connection elbow	98531001
20	connection hose 1500 mm	25965000



## Cleaning Recommendation for Hansgrohe Products

Modern lavatory faucets, kitchen faucets, and showers consist of very different materials to comply with the needs of the market with regard to design and functionality. To avoid damage and returns, it is necessary to consider certain criteria when cleaning.

### Cleaning Materials for Faucets and Showers

Acids are a necessary ingredient of cleaning materials for removing lime, however please pay attention to the following points when cleaning faucets and showers:

- Only use cleaning materials which are explicitly intended for this type of application.
- Never use cleaning materials which contain hydrochloric, formic, phosphoric, or acetic acid, as they cause considerable damage.
- Never mix one cleaning material with another.
- Never use cleaning materials or appliances with an abrasive effect, such as unsuitable cleaning powders, sponge pads, or micro fiber cloths.

### Cleaning Instructions for Faucets and Showers

Please follow the cleaning material manufacturer's instructions. In addition, pay attention to the following points:

- Clean the faucets and showers as and when required
- Use the amount of cleaning product and the amount of time recommended by the manufacturer. Do not leave the cleaner on the fixture longer than necessary.
- Regular cleaning can prevent calcification.
- When using spray cleaners, spray first onto a soft cloth or sponge. Never spray directly onto the faucet as droplets can enter openings and gaps and cause damage.
- After cleaning, rinse thoroughly with clean water to remove any cleaner residue.

### Important

Residues of liquid soaps, shampoos, and shower foams can also cause damage, so rinse with clean water after using.

**Please note:** if the surface is already damaged, the effect of cleaning materials will cause further damage.

**Components with damaged surfaces must be replaced or injury could result.**

**Damage caused by improper treatment is not covered under the warranty.**

## Limited Lifetime Consumer Warranty

This product has been manufactured and tested to the highest quality standards by Hansgrohe, Inc. ("Hansgrohe"). This warranty is limited to Hansgrohe products which are purchased by a consumer in the United States after March 1, 1996, and installed in either the United States or Canada.

### WHO IS COVERED BY THE WARRANTY

This warranty extends to the original consumer purchaser only. This warranty is non-transferable.

### WHAT IS COVERED BY THE WARRANTY

This warranty covers only your Hansgrohe manufactured product. Hansgrohe warrants this product against defects in material or workmanship as follows: Hansgrohe will repair at no charge for parts only or, at its option, replace any product or part of the product that proves defective because of improper workmanship and/or material, under normal installation, use, service and maintenance. If Hansgrohe is unable to provide a replacement and repair is not practical or cannot be timely made, Hansgrohe may elect to refund the purchase price in exchange for the return of the product.

### LENGTH OF WARRANTY

Replacement or repaired parts of products will be covered for the term of this warranty as stated in the following two sentences. If you are a consumer who purchased the product for use primarily for personal, family, or household purposes, this warranty extends for as long as you own the product and the home in which the product is originally installed. If you purchased

the product for use primarily for any other purpose, including, without limitation, a commercial purpose, this warranty extends only (i) for 1 year, with respect to Hansgrohe and Commercial products, and (ii) for 5 years, with respect to AXOR products.

THIS WARRANTY DOES NOT COVER, AND HANSGROHE WILL NOT PAY FOR:

- A. Conditions, malfunctions or damage not resulting from defects in material or workmanship.
- B. Conditions, malfunctions or damage resulting from (1) normal wear and tear, improper installation, improper maintenance, misuse, abuse, negligence, accident or alteration, or (2) the use of abrasive or caustic cleaning agents or "no-rinse" cleaning products, or the use of the product in any manner contrary to the product instructions. (3) Conditions in the home such as excessive water pressure or corrosion.
- C. Labor or other expenses for the disconnection, deinstallation, or return of the product for warranty service, or for installation or reinstallation of the product (including but not limited to proper packaging and shipping costs), or for installation or reinstallation of the product.
- D. Accessories, connected materials and products, or related products not manufactured by Hansgrohe.

TO OBTAIN WARRANTY PARTS OR INFORMATION

Contact your Hansgrohe retailer, or contact Technical Service at:

Hansgrohe Inc.  
1492 Bluegrass Lakes Parkway  
Alpharetta GA 30004  
Toll-free (800) 334-0455.

In requesting warranty service, you will need to provide

- 1. The sales receipt or other evidence of the date and place of purchase.
- 2. A description of the problem.
- 3. Delivery of the product or the defective part, postage prepaid and carefully packed and insured, to Hansgrohe Inc. 1492 Bluegrass Lakes Parkway, Alpharetta, Georgia 30004, Attention: Technical Service, if required by Hansgrohe.

When warranty service is completed, any repaired or replacement product or part will be returned to you postage prepaid.

EXCLUSIONS AND LIMITATIONS

REPAIR OR REPLACEMENT (OR, IN LIMITED CIRCUMSTANCES, REFUND OF THE PURCHASE PRICE) AS PROVIDED UNDER THIS WARRANTY IS THE EXCLUSIVE REMEDY OF THE PURCHASER. HANSGROHE NEITHER ASSUMES NOR AUTHORIZES ANY PERSON TO CREATE FOR IT ANY OBLIGATION OR LIABILITY IN CONNECTION WITH THIS PRODUCT.

HANSGROHE SHALL NOT BE LIABLE TO PURCHASER OR ANY PERSON FOR ANY INCIDENTAL, SPECIAL, OR CONSEQUENTIAL DAMAGES, ARISING OUT OF BREACH OF THIS WARRANTY OR ANY IMPLIED WARRANTY (INCLUDING MERCHANTABILITY).

Some States do not allow the exclusion or limitation of incidental or consequential damages, so the above limitation or exclusion may not apply to you. This warranty gives you specific legal rights, and you may have other rights which vary from State to State. You may be required by law to give us a reasonable opportunity to correct or cure any failure to comply before you can bring any action in court against us under the Magnuson-Moss Warranty Act.

PRODUCT INSTRUCTIONS AND QUESTIONS

Upon purchase or prior to installation, please carefully inspect your Hansgrohe product for any damage or visible defect. Prior to installing, always carefully study the enclosed instructions on the proper installation and the care and maintenance of the product. If you have questions at any time about the use, installation, or performance of your Hansgrohe product, or this warranty, please call or write to us or call us toll-free at 800 334 0455.

**hansgrohe**

Hansgrohe, Inc. • 1490 Bluegrass Lakes Parkway • Alpharetta, GA 30004  
Tel. 770-360-9880 • Fax 770-360-9887

[www.hansgrohe-usa.com](http://www.hansgrohe-usa.com)

Download from [Www.Somanuals.com](http://Www.Somanuals.com). All Manuals Search And Download.



## Free Manuals Download Website

<http://myh66.com>

<http://usermanuals.us>

<http://www.somanuals.com>

<http://www.4manuals.cc>

<http://www.manual-lib.com>

<http://www.404manual.com>

<http://www.luxmanual.com>

<http://aubethermostatmanual.com>

Golf course search by state

<http://golfingnear.com>

Email search by domain

<http://emailbydomain.com>

Auto manuals search

<http://auto.somanuals.com>

TV manuals search

<http://tv.somanuals.com>