



Avion Home Theater Collection

AVION is BDI's premier enclosed cabinet system, engineered specifically to meet the needs of today's home theaters. The clean and simple lines of the collection will complement any décor, but it's the innovative features that truly make AVION an original.



Avion Features

With features such as hidden wheels for easy movement, sliding back panels for convenient access to cables and connections, flow-through ventilation to keep components cool, and compartments for media storage, and fabric inserts for concealed speakers, AVION offers one of the most thoroughly designed and well executed home theater furniture solutions ever.

*Optional Flat Panel TV Mounting System
(Sold separately, model number: 8540-1)*

Steel Reinforced Top

*Fabric inserts available for use with Side Speakers
(not shown)*

Flow-through Ventilation for Maximum Performance

Quality Hardware including Easy-Adjust Hinges

Adjustable Shelves

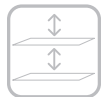
Vibration Canceling Shelf Support Pins



HIDDEN WHEELS



WIRE MANAGEMENT



ADJUSTABLE SHELVES



MAXIMUM STRENGTH



VENTILATION



TEMPERED GLASS



UNIVERSAL MOUNTING BRACKET



CORNER FRIENDLY



Speaker & Media Drawer

- Designed for a Center Channel Speaker (up to 7" tall) and/or DVD and CD storage.
- 8527, 8528, & 8529 feature a center channel drawer while the 8521 features a compartment with a flip down drawer.
- Drawer easily removes to reveal a shelf for a Center Channel Speaker up to 8.5" tall.
- Smoked glass insert for center drawer is available for use when drawer is used for media storage.
- Adjustable drawer divider allows for optimal space utilization based on speaker and media depths.
- Wire slots in drawer bottom and back for speaker wire routing and access to other sections.



Adjustable Side Cabinets

- Designed for AV components, side cabinets have an internal measurement of 16.25" H x 18.5"W x 20.5"D. The shelf is supported on cushioned threaded inserts that are adjustable every 1.25".
- Flow-through ventilation slots are machined into the shelf, bottom and back panels to allow for air circulation.
- Each compartment holds two large components or up to 4 smaller components if stacked. Doors remove easily with quick-release hardware for easy setup.
- Tinted glass door inserts are IR remote compatible.
- Fabric inserts are available for use when side cabinets are used to house left and right speakers.



Multi-Function Compartment

- Door is hinged with a dampened hardware system, opening gently and with ease.
- Flow-through ventilation slots are machined into the bottom and back of cabinet to allow for air circulation.
- Tinted glass door inserts are IR remote compatible.
- The center section on Avion Model 8527 is one component section that has inside dimensions of 7.25"H x 25"W x 16.25"D.
- The center section on Avion Model 8529 has two component sections that have inside dimensions of 7.25"H x 18"W x 16.25"D each.



Sliding Rear Panels for Easy Access to Cables and Components

Satin Nickel Finish

IR Friendly Smoked Glass

Concealed Wheels

Compartment for Media and Speaker Storage

Fabric Insert for Center Speaker

Easily Adjustable Levelers



Back Panels & Wire Management

- Sliding back panels allow for easy access to rear of components and wiring.
- Flow-through ventilation slots in back panel promote air circulation.
- Inset vertical panel in back center section provides space for a power center and serves as the "wire management hub" of the piece.
- TV cables and power are neatly routed inside through two wire management grommets in the top of the cabinet.



Wheels & Levelers in Legs

- Concealed wheels in the legs allow the cabinet to easily roll away from the wall even when loaded with components.
- Levelers in the leg assembly allow adjustment of front and rear height. Leveler adjusters are conveniently located inside the cabinet, for easy access.
- If desired, levelers may be fully extended, lifting the cabinet off of its wheels so it no longer rolls.



Optional Universal Mount

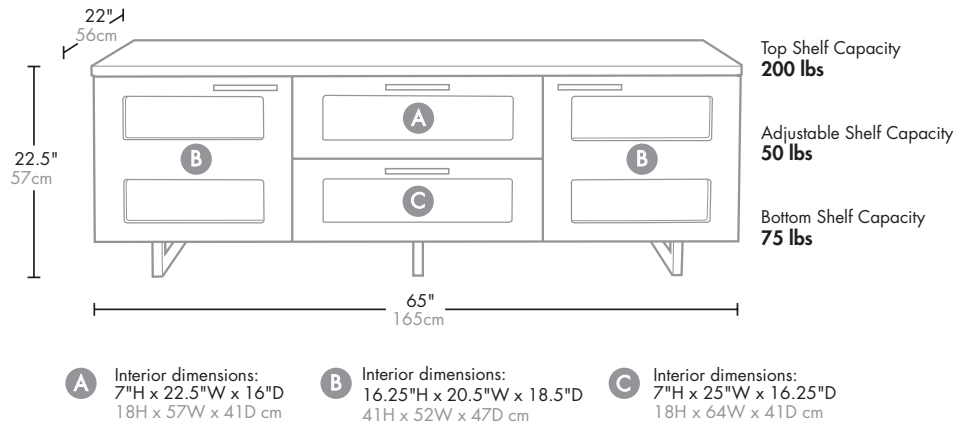
- Model 8540-1, flat panel TV mount for Avion models 8527 & 8529.
- Available separately, this mount installs through the top of cabinet and steel supports attach securely within the base of the cabinet.
- Attach flat panel TVs up to 55" with the universal mount included with this system.
- TV cables and power run through the supports and into the cabinet where they exit to the appropriate components or outlet.
- TV height is adjustable on universal mount.

AVION 8527



Three-component wide cabinet with two side cabinets, a top center speaker/media drawer and an open lower compartment. Shown here in Natural Stained Cherry with optional Flat Panel TV Mount (model 8540-1) also for use with Avion 8529.

Recommended TV Size: up to 60" Flat Panel or Rear Projection

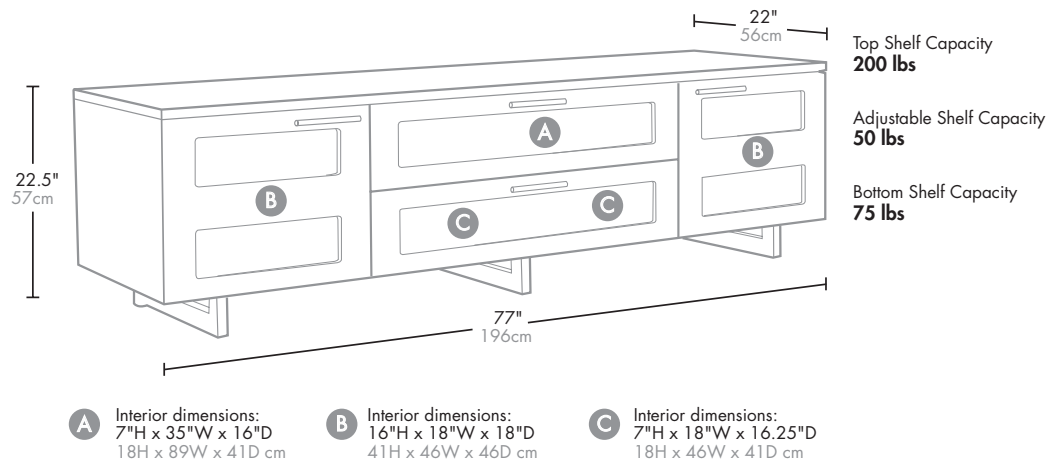


AVION 8529



Four-component wide cabinet with two side cabinets, a top center speaker/media drawer and divided lower compartment. Shown here in Espresso on European Oak.

Recommended TV Size: up to 70" Flat Panel or Rear Projection

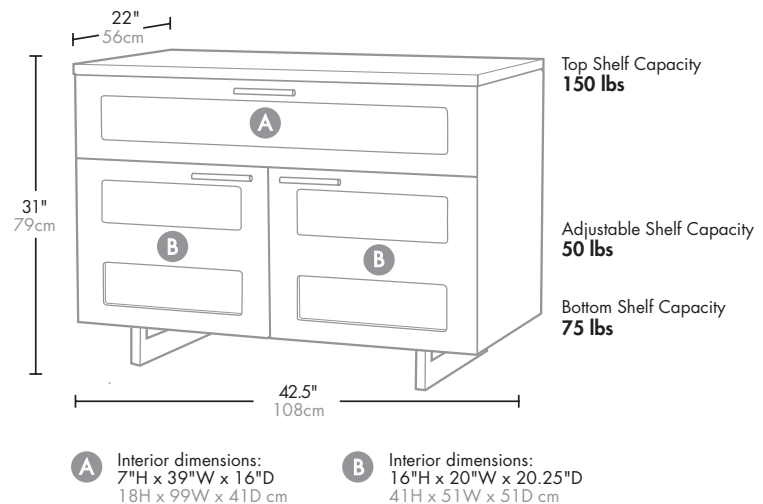


AVION 8528



Two-component wide enclosed unit with two lower cabinets and a speaker/media drawer above. Place a TV on top, or fill it with components beneath a wall-mounted screen. Shown here in Espresso on European Oak.

Recommended TV Size: up to 46" Flat Panel

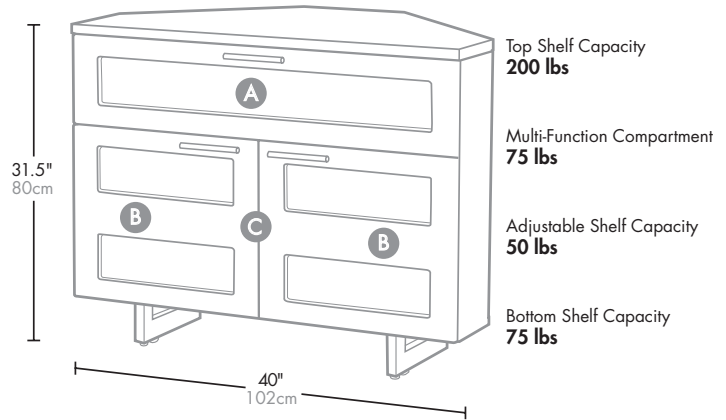


AVION 8521 CORNER

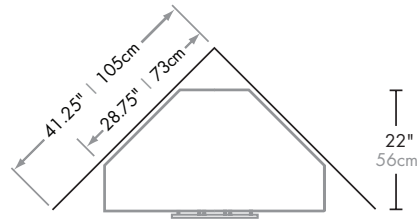


One component wide enclosed unit with lower adjustable shelf, and side media storage. Upper compartment can be used for center channel speaker, component, or media storage and features a fabric fronted flip down door. The 8521 is the ideal height for bedroom viewing. Shown in Natural Stained Cherry, also available in Espresso on European Oak.

Recommended TV Size: up to 46" Flat Panel TV



- A** Center Speaker Size:
7.75"H x 37.5"W x 7.75"D
19.5H x 95.25W x 19.5D cm
- B** Interior dimensions:
16"H x 8.5"W x 7.75"D
41H x 22W x 20D cm
- C** Component Size:
7.75"H x 19.25"W x 16.75"D
19.5H x 48.75W x 42.5D cm
- C** Interior dimensions:
16"H x 19.5"W x 20.75"D
41H x 50W x 53D cm

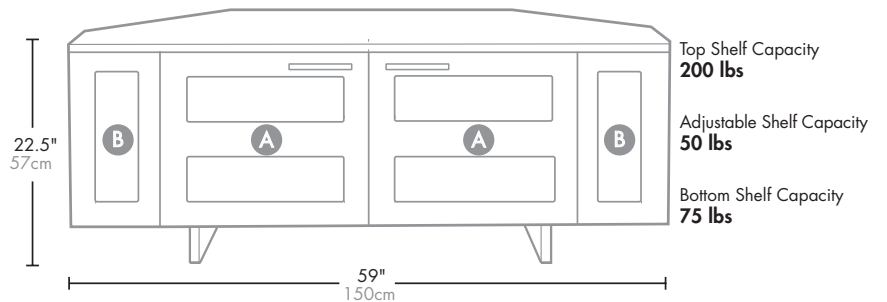


AVION 8525 CORNER

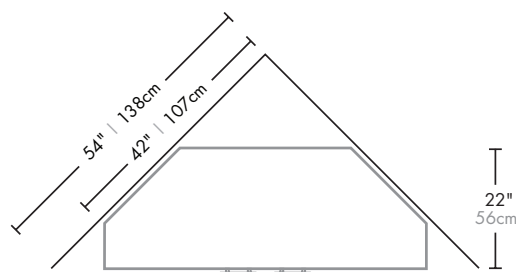


Two component wide enclosed unit with an adjustable shelf in the center and side cabinets to hold speakers or media. Designed for placement in corners (see diagram to bottom right). Shown in Espresso on European Oak, also available in Natural Stained Cherry.

Recommended TV Size: up to 60" Flat Panel or Rear Projection



- A** Interior dimensions:
16"H x 18"W x 17.5"D
41H x 46W x 44D cm
- B** Interior dimensions:
16"H x 8.75"W x 8"D
41H x 22W x 20D cm



Free Manuals Download Website

<http://myh66.com>

<http://usermanuals.us>

<http://www.somanuals.com>

<http://www.4manuals.cc>

<http://www.manual-lib.com>

<http://www.404manual.com>

<http://www.luxmanual.com>

<http://aubethermostatmanual.com>

Golf course search by state

<http://golfingnear.com>

Email search by domain

<http://emailbydomain.com>

Auto manuals search

<http://auto.somanuals.com>

TV manuals search

<http://tv.somanuals.com>