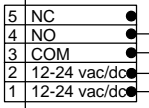
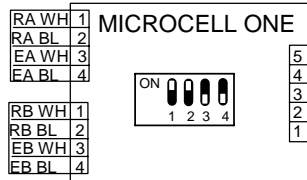


* RECEIVER (A), EMITTER (A)
 RECEIVER (B), EMITTER(B)
 WH= WHITE, BL= BLACK



INTERIOR EAGLE EXTERIOR EAGLE



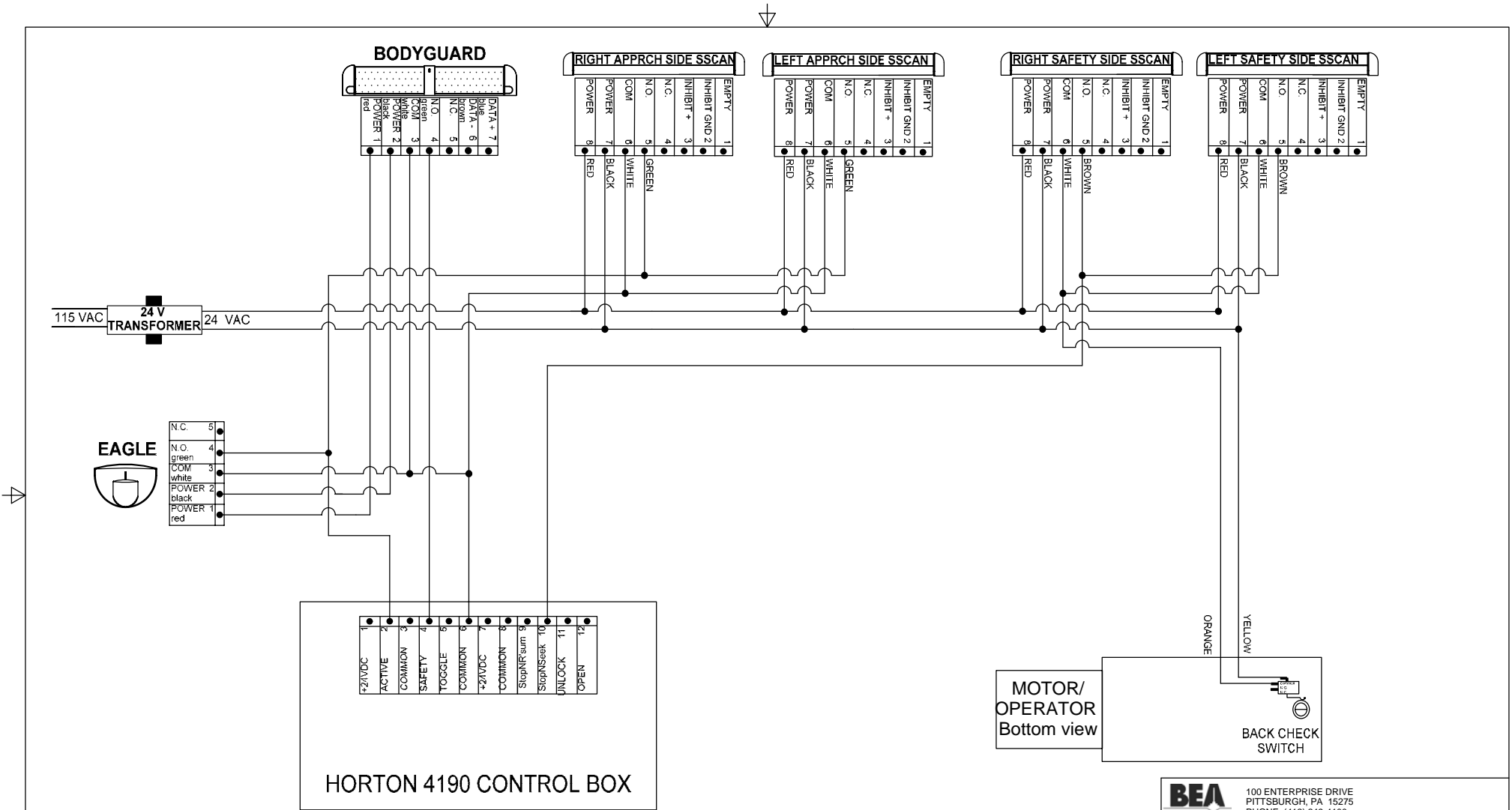
NOTES: 1) EAGLES, IRIS, MIRCROCELLS, WILL OPERATE WITH THE 24 VAC ON THE C3938 POWER SUPPLY CN3.

IF AFTER TROUBLESHOOTING A PROBLEM, A SATISFACTORY SOLUTION CANNOT BE ACHIEVED, PLEASE CALL B.E.A., INC. FOR FURTHER ASSISTANCE DURING EASTERN STANDARD TIME AT 1-800-523-2462 FROM 8AM - 5PM. FOR AFTER-HOURS, CALL EAST COAST: 1-866-836-1863 OR 1-800-407-4545 / MID-WEST: 1-888-308-8843 / WEST COAST: 1-888-419-2564. DO NOT LEAVE ANY PROBLEM UNRESOLVED. IF YOU MUST WAIT FOR THE FOLLOWING WORKDAY TO CALL B.E.A., LEAVE THE DOOR INOPERABLE UNTIL SATISFACTORY REPAIRS CAN BE MADE. NEVER SACRIFICE THE SAFE OPERATION OF THE AUTOMATIC DOOR OR GATE FOR AN INCOMPLETE SOLUTION.WEB: WWW.BEASENSORS.COM

BEA
 We open up New Horizons
 A HALMA GROUP COMPANY
 100 ENTERPRISE DRIVE
 PITTSBURGH, PA 15275
 PHONE: (412) 249-4100
 FAX: (412) 249-4101
 EMAIL: www.beasensors.com

TITLE: HORTON C2150 CONTROL WITH EAGLES, IRIS, MICROCELL 1

SIZE: A	DRAWN BY: KJG	REV BY: KJG	PART NO: 80.0091.02
	SCALE: NONE	DATE: 25 SEP 2005	SHEET 1 OF 1



- NOTES: 1) CUT YELLOW, BROWN AND ORANGE WIRES GOING FROM CONTROL BOX TO BACK-CHECK SWITCH ON OPERATOR CAM.
 2) YELLOW AND ORANGE FROM CAM SWITCH USED FOR COIL ACTIVATION SEE FIGURE 2.
 3) YELLOW TERM (5) BROWN TERM (1) ORANGE TERM (3) FROM CONTROL BOX TO ISO RELAY CONTACTS.
 4) WIRE BODYGUARD TO LO21 IN ACCORDANCE TO LO21 MANUAL.

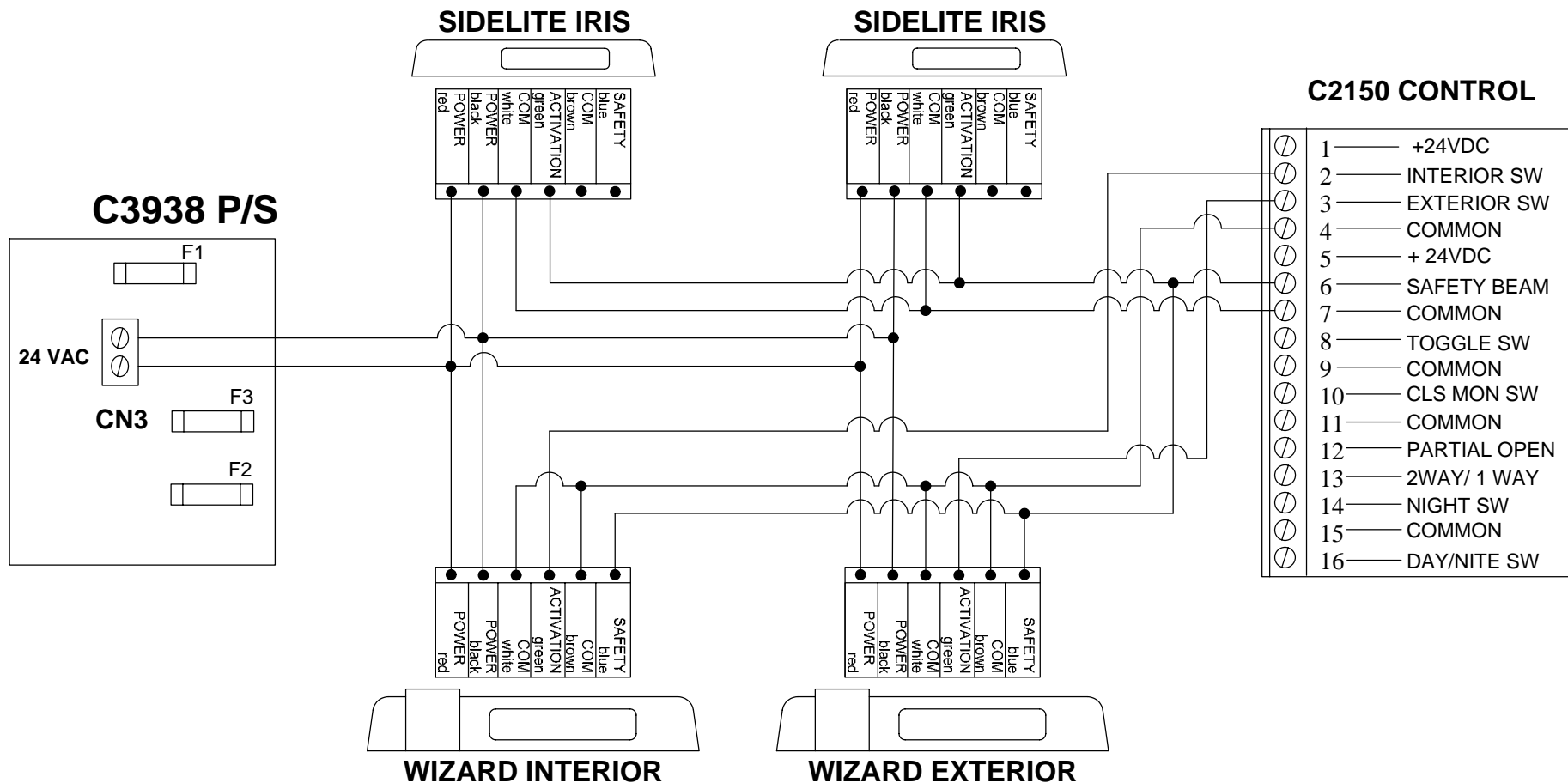
IF AFTER TROUBLESHOOTING A PROBLEM, A SATISFACTORY SOLUTION CANNOT BE ACHIEVED, PLEASE CALL B.E.A., INC. FOR FURTHER ASSISTANCE DURING EASTERN STANDARD TIME AT 1-800-523-2462 FROM 8AM - 5PM. FOR AFTER-HOURS, CALL EAST COAST: 1-866-836-1863 OR 1-800-407-4545 / MID-WEST: 1-888-308-8843 / WEST COAST: 1-888-419-2564. DO NOT LEAVE ANY PROBLEM UNRESOLVED. IF YOU MUST WAIT FOR THE FOLLOWING WORKDAY TO CALL B.E.A., LEAVE THE DOOR INOPERABLE UNTIL SATISFACTORY REPAIRS CAN BE MADE. NEVER SACRIFICE THE SAFE OPERATION OF THE AUTOMATIC DOOR OR GATE FOR AN INCOMPLETE SOLUTION. WEB: WWW.BEASENSORS.COM

BEA
 We open up New Horizons
 HANAMA GROUP COMPANY

100 ENTERPRISE DRIVE
 PITTSBURGH, PA 15275
 PHONE: (412) 249-4100
 FAX: (412) 249-4101
 EMAIL: www.beasensors.com

TITLE: HORTON 4190 W/SAFETY SIDE SUPERSCAN W/BACKCHECK RELAY

SIZE: B	DRAWN BY: KJG	REV BY: TUC	PART NO: 80.0092.02
SCALE: NONE	DATE: 08 NOV 2005	SHEET: 1 OF 1	



NOTES: 1) ON THE C2150 CONTROL TURN FUNCTION "SP" ON.

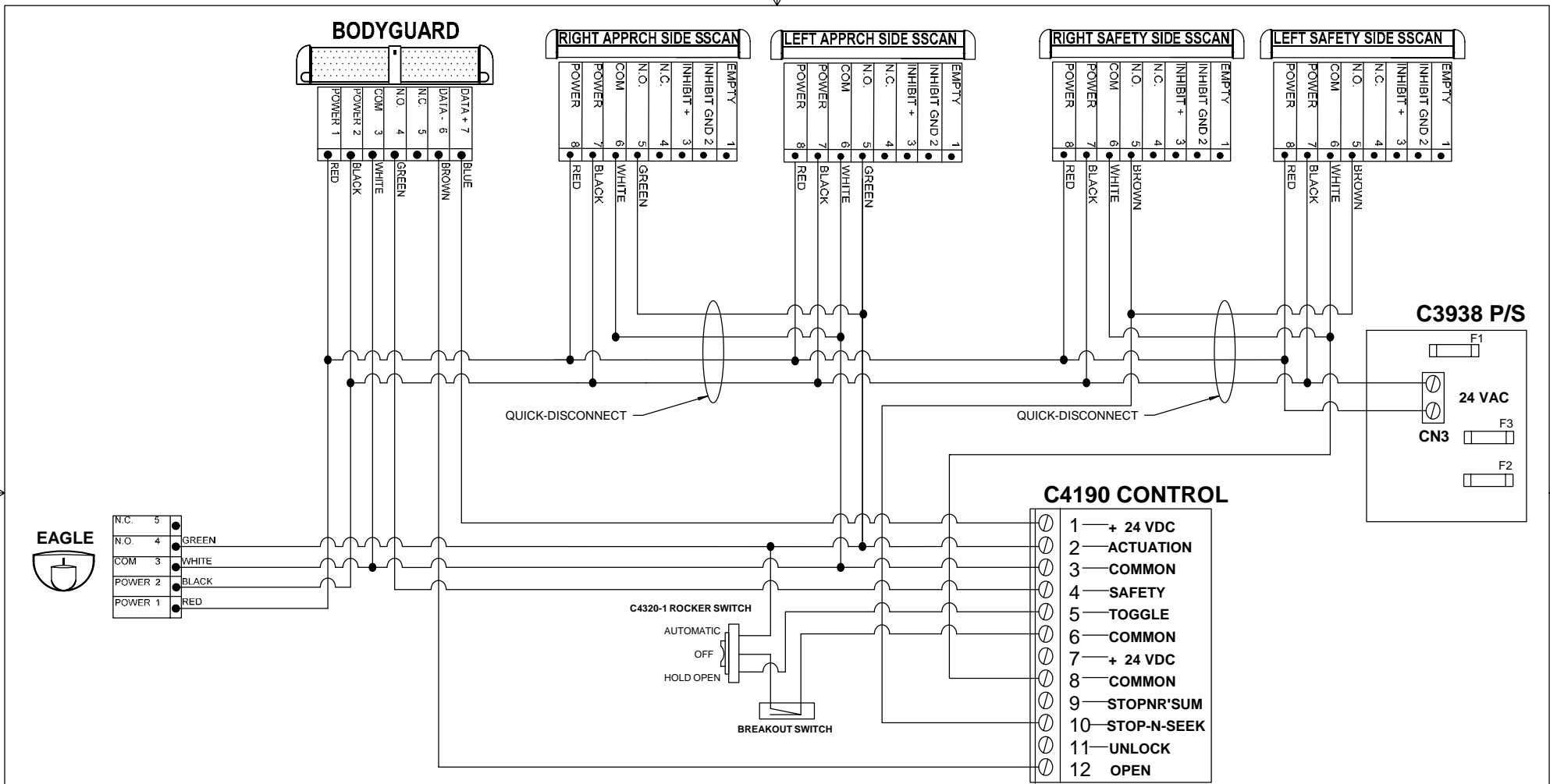
IF AFTER TROUBLESHOOTING A PROBLEM, A SATISFACTORY SOLUTION CANNOT BE ACHIEVED, PLEASE CALL B.E.A., INC. FOR FURTHER ASSISTANCE DURING EASTERN STANDARD TIME AT 1-800-523-2462 FROM 8AM - 5PM. FOR AFTER-HOURS, CALL EAST COAST: 1-866-836-1863 OR 1-800-407-4545 / MID-WEST: 1-888-308-8843 / WEST COAST: 1-888-419-2564. DO NOT LEAVE ANY PROBLEM UNRESOLVED. IF YOU MUST WAIT FOR THE FOLLOWING WORKDAY TO CALL B.E.A., LEAVE THE DOOR INOPERABLE UNTIL SATISFACTORY REPAIRS CAN BE MADE. NEVER SACRIFICE THE SAFE OPERATION OF THE AUTOMATIC DOOR OR GATE FOR AN INCOMPLETE SOLUTION. WEB: WWW.BEASENSORS.COM



100 ENTERPRISE DRIVE
 PITTSBURGH, PA 15275
 PHONE: (412) 249-4100
 FAX: (412) 249-4101
 EMAIL: www.beasensors.com

**TITLE: HORTON C2150 WITH WIZARDS,
 CRYSTAL SIDELITE PROTECTION**

SIZE: A	DRAWN BY: KJG	REV BY: TUC	PART NO: 80.0093.03
	SCALE: NONE	DATE: 08 NOV 2005	SHEET 1 OF 1



N.C.	5	
N.O.	4	GREEN
COM	3	WHITE
POWER 2	2	BLACK
POWER 1	1	RED

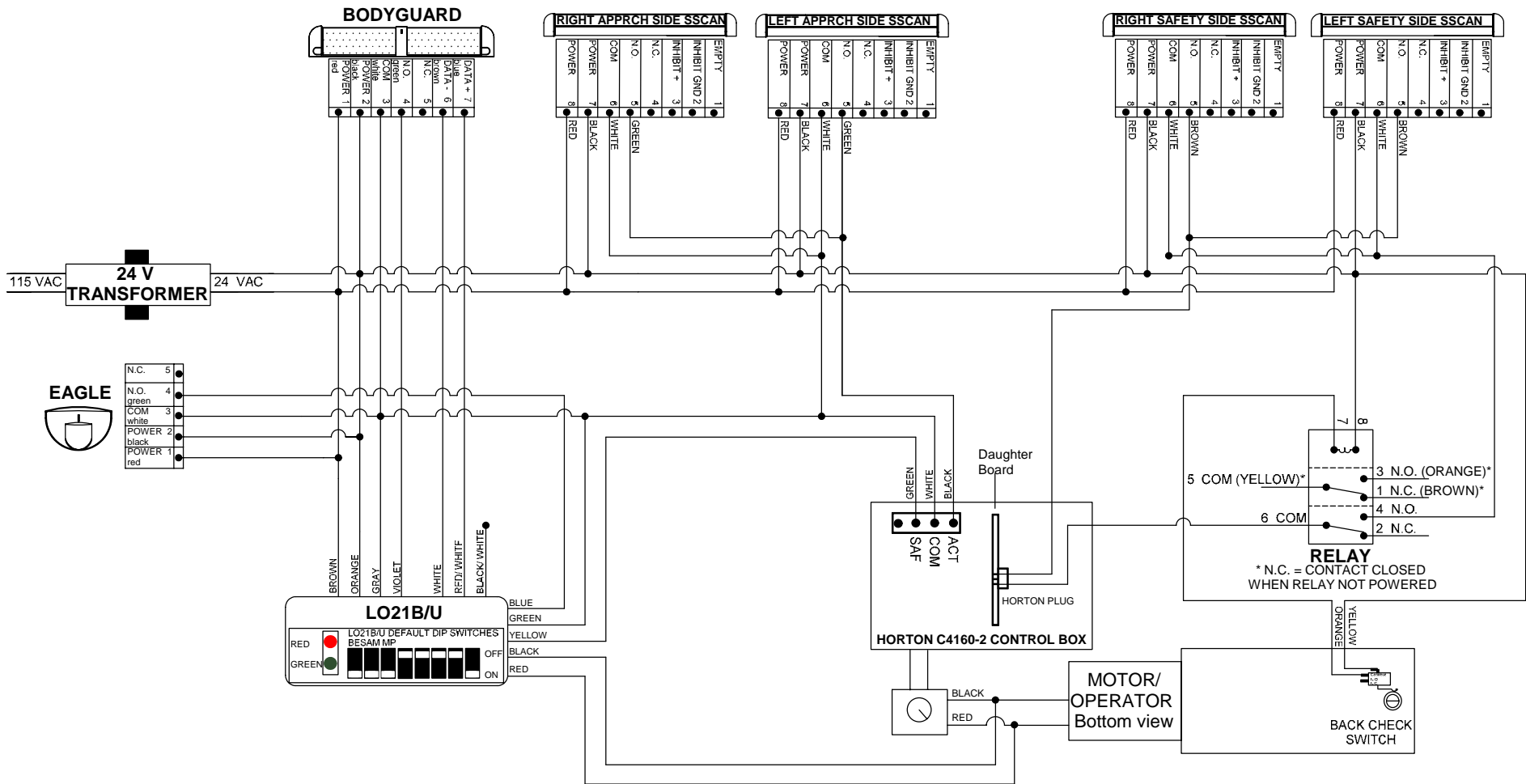
NOTES: USE CN3 FOR POWER

IF AFTER TROUBLESHOOTING A PROBLEM, A SATISFACTORY SOLUTION CANNOT BE ACHIEVED, PLEASE CALL B.E.A., INC. FOR FURTHER ASSISTANCE DURING EASTERN STANDARD TIME AT 1-800-523-2462 FROM 8AM - 5PM. FOR AFTER-HOURS, CALL EAST COAST: 1-866-836-1863 OR 1-800-407-4545 / MID-WEST: 1-888-308-8843 / WEST COAST: 1-888-419-2564. DO NOT LEAVE ANY PROBLEM UNRESOLVED. IF YOU MUST WAIT FOR THE FOLLOWING WORKDAY TO CALL B.E.A., LEAVE THE DOOR INOPERABLE UNTIL SATISFACTORY REPAIRS CAN BE MADE. NEVER SACRIFICE THE SAFE OPERATION OF THE AUTOMATIC DOOR OR GATE FOR AN INCOMPLETE SOLUTION. WEB: WWW.BEASENSORS.COM

BEA
 We Open Up New Horizons
 HANNA GROUP COMPANY
 100 ENTERPRISE DRIVE
 PITTSBURGH, PA 15275
 PHONE: (412) 249-4100
 FAX: (412) 249-4101
 EMAIL: www.beasensors.com

TITLE: HORTON C4190 CONTROL WITH PARALLAX 2 SYSTEM Q-DISCONNECT ON SAFETY SIDE

SIZE: B	DRAWN BY: K/JG	REV BY: JDC	PART NO: 80.0094.03
SCALE: NONE	DATE: 01 FEB 2006	SHEET: 1 OF 1	



NOTES: 1) PARALLEL ACT, COM, SAF FOR PAIR DOORS. OR MAY REQUIRE HORTON C7215 SIMULTANEOUS ACTIVATION MODULE. CONTACT BEA TECH SUPPORT FOR MORE INFO IF NECESSARY

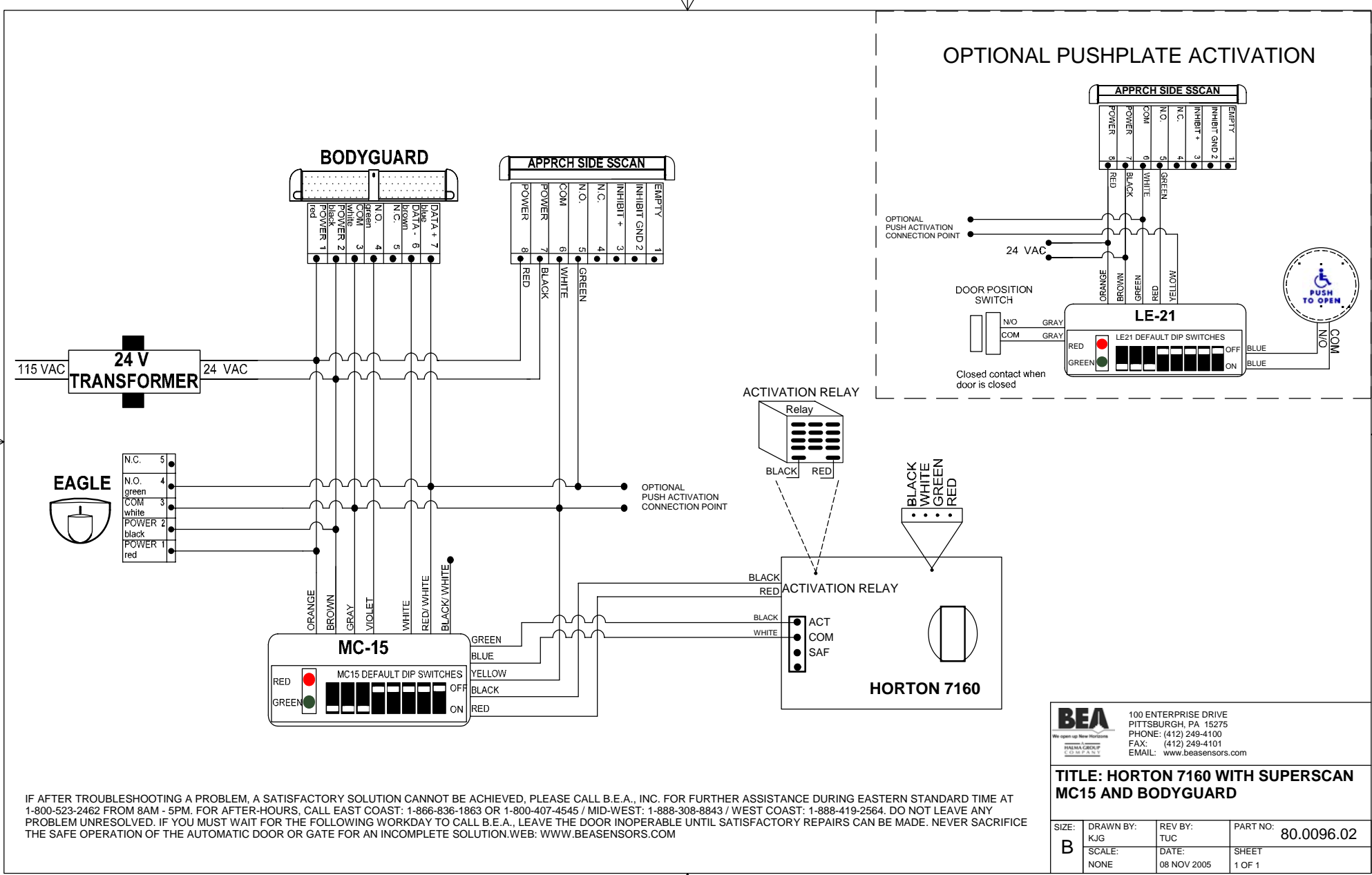
IF AFTER TROUBLESHOOTING A PROBLEM, A SATISFACTORY SOLUTION CANNOT BE ACHIEVED, PLEASE CALL B.E.A., INC. FOR FURTHER ASSISTANCE DURING EASTERN STANDARD TIME AT 1-800-523-2462 FROM 8AM - 5PM. FOR AFTER-HOURS, CALL EAST COAST: 1-866-836-1863 OR 1-800-407-4545 / MID-WEST: 1-888-308-8843 / WEST COAST: 1-888-419-2564. DO NOT LEAVE ANY PROBLEM UNRESOLVED. IF YOU MUST WAIT FOR THE FOLLOWING WORKDAY TO CALL B.E.A., LEAVE THE DOOR INOPERABLE UNTIL SATISFACTORY REPAIRS CAN BE MADE. NEVER SACRIFICE THE SAFE OPERATION OF THE AUTOMATIC DOOR OR GATE FOR AN INCOMPLETE SOLUTION. WEB: WWW.BEASENSORS.COM

BEA
We open up New Horizons
MEMBER OF THE
PARALLAX GROUP
EST. 1982

100 ENTERPRISE DRIVE
 PITTSBURGH, PA 15275
 PHONE: (412) 249-4100
 FAX: (412) 249-4101
 EMAIL: www.beasensors.com

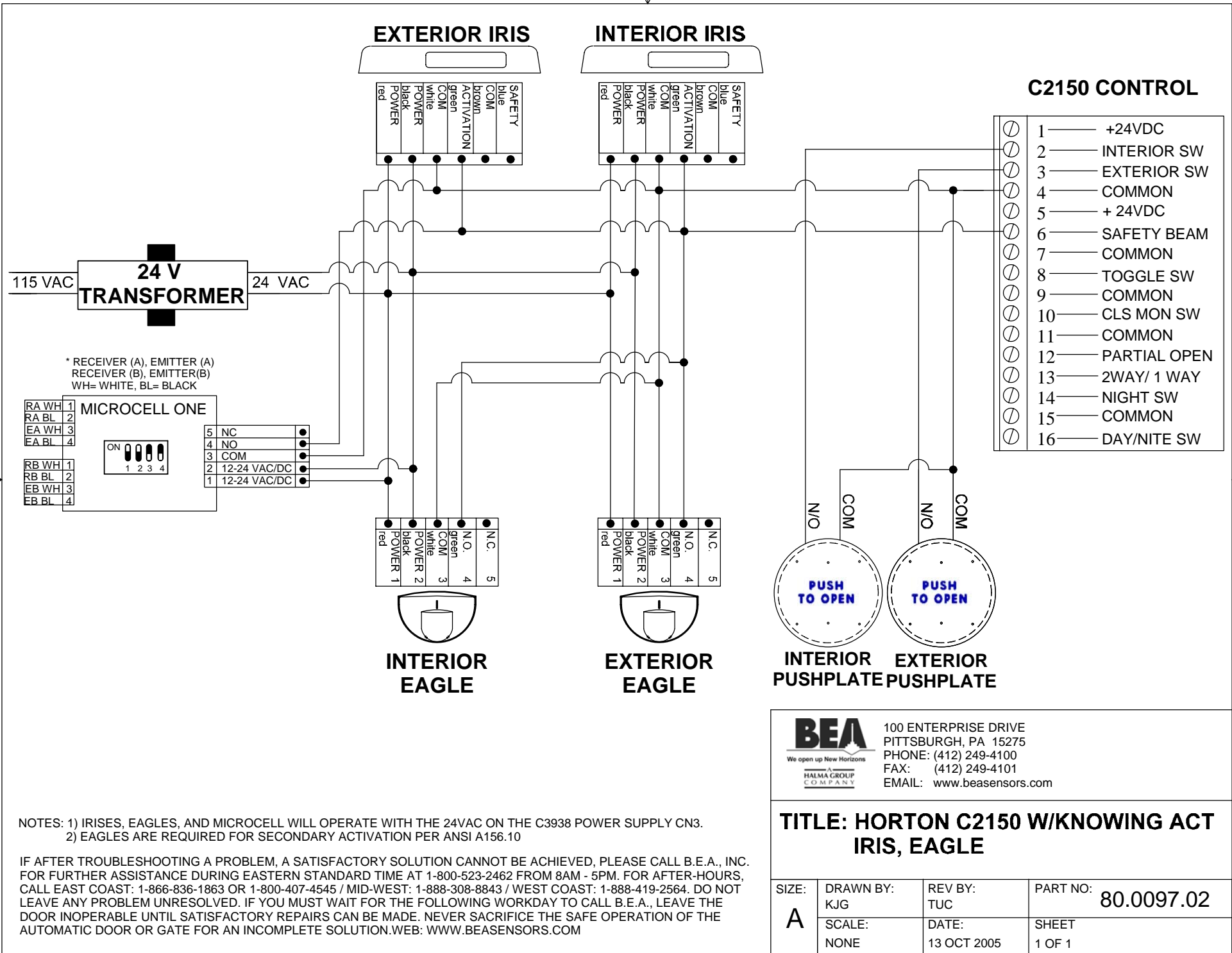
TITLE: HORTON C4160-2 CONTROL WITH PARALLAX 2 SYSTEM (LO21B/U), SAFETY SIDE SUPERCAN INHIBIT RELAY

SIZE: B	DRAWN BY: KJG	REV BY: TUC	PART NO: 80.0095.02
SCALE: NONE	DATE: 02 OCT 2005	SHEET: 1 OF 1	



IF AFTER TROUBLESHOOTING A PROBLEM, A SATISFACTORY SOLUTION CANNOT BE ACHIEVED, PLEASE CALL B.E.A., INC. FOR FURTHER ASSISTANCE DURING EASTERN STANDARD TIME AT 1-800-523-2462 FROM 8AM - 5PM. FOR AFTER-HOURS, CALL EAST COAST: 1-866-836-1863 OR 1-800-407-4545 / MID-WEST: 1-888-308-8843 / WEST COAST: 1-888-419-2564. DO NOT LEAVE ANY PROBLEM UNRESOLVED. IF YOU MUST WAIT FOR THE FOLLOWING WORKDAY TO CALL B.E.A., LEAVE THE DOOR INOPERABLE UNTIL SATISFACTORY REPAIRS CAN BE MADE. NEVER SACRIFICE THE SAFE OPERATION OF THE AUTOMATIC DOOR OR GATE FOR AN INCOMPLETE SOLUTION.WEB: WWW.BEASENSORS.COM

		100 ENTERPRISE DRIVE PITTSBURGH, PA 15275 PHONE: (412) 249-4100 FAX: (412) 249-4101 EMAIL: www.beasensors.com	
TITLE: HORTON 7160 WITH SUPERSCAN MC15 AND BODYGUARD			
SIZE: B	DRAWN BY: KJG SCALE: NONE	REV BY: TUC DATE: 08 NOV 2005	PART NO: 80.0096.02 SHEET 1 OF 1



NOTES: 1) IRISES, EAGLES, AND MICROCELL WILL OPERATE WITH THE 24VAC ON THE C3938 POWER SUPPLY CN3.
2) EAGLES ARE REQUIRED FOR SECONDARY ACTIVATION PER ANSI A156.10

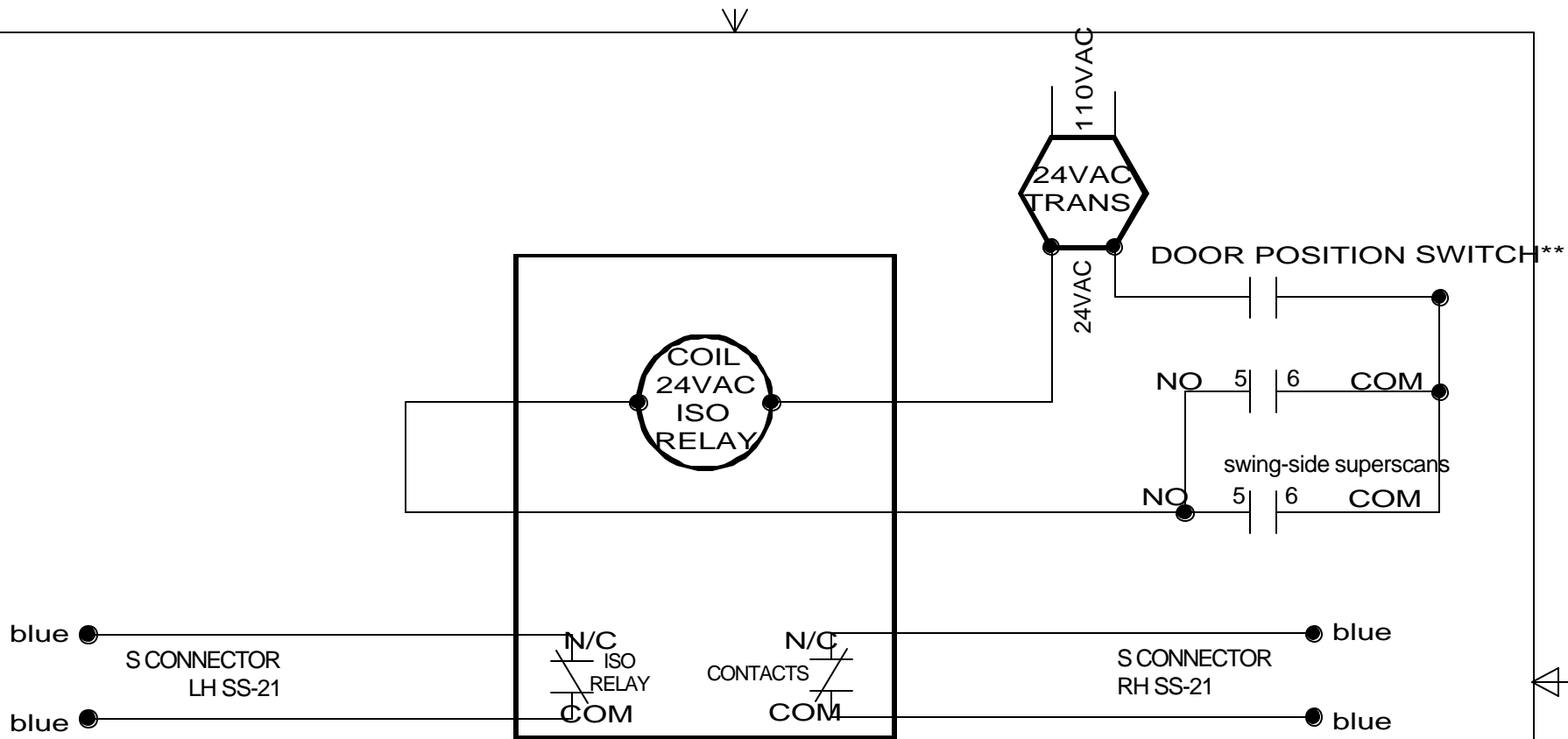
IF AFTER TROUBLESHOOTING A PROBLEM, A SATISFACTORY SOLUTION CANNOT BE ACHIEVED, PLEASE CALL B.E.A., INC. FOR FURTHER ASSISTANCE DURING EASTERN STANDARD TIME AT 1-800-523-2462 FROM 8AM - 5PM. FOR AFTER-HOURS, CALL EAST COAST: 1-866-836-1863 OR 1-800-407-4545 / MID-WEST: 1-888-308-8843 / WEST COAST: 1-888-419-2564. DO NOT LEAVE ANY PROBLEM UNRESOLVED. IF YOU MUST WAIT FOR THE FOLLOWING WORKDAY TO CALL B.E.A., LEAVE THE DOOR INOPERABLE UNTIL SATISFACTORY REPAIRS CAN BE MADE. NEVER SACRIFICE THE SAFE OPERATION OF THE AUTOMATIC DOOR OR GATE FOR AN INCOMPLETE SOLUTION.WEB: WWW.BEASENSORS.COM

BEA 100 ENTERPRISE DRIVE
PITTSBURGH, PA 15275
PHONE: (412) 249-4100
FAX: (412) 249-4101
EMAIL: www.beasensors.com

We open up New Horizons
HALMA GROUP COMPANY

TITLE: HORTON C2150 W/KNOWING ACT IRIS, EAGLE

SIZE: A	DRAWN BY: KJG	REV BY: TUC	PART NO: 80.0097.02
	SCALE: NONE	DATE: 13 OCT 2005	SHEET 1 OF 1




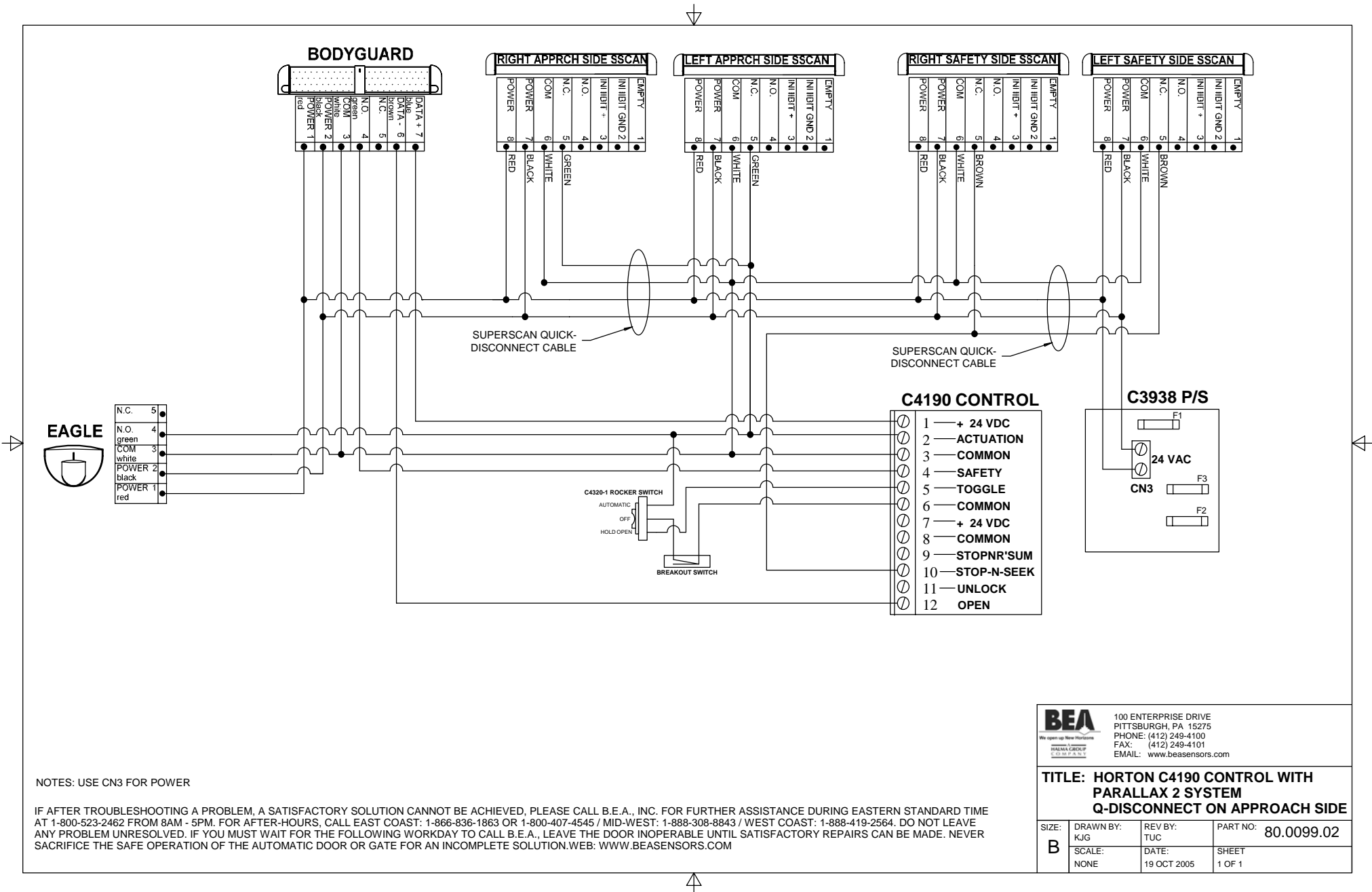
** DOOR POSITION SWITCH MUST BE CLOSED UNTIL DOOR REACHES 70 DEGREES OPEN OR ADJUST TO WHERE DESIRED.

HORTON'S SAFETY MODULE IS NOT NECESSARY.

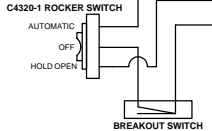
ISO RELAY WILL CONTROL BOTH SS-21 MODULES SIMULTANEOUSLY.

MUST HAVE 2 SS-21'S WITH 2 CONTROL BOXES.

 B.E.A., Inc. 100 Enterprise Drive, Pittsburgh, PA 15275 PH: (412) 249-4100 FAX: (412) 249-4101					
TITLE: HORTON CONTROL BOX's WITH TWO SS-21'S SIMULTANEOUS PAIRS					
SIZE	CAGE CODE	DWGNO	FILE OF:	DRAWN BY:	REV
A		80.0098	ENG'G	JED	01
SCALE		DATE:		SHEET	
NONE		05 JAN 04		1 OF 1	

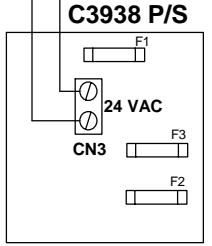


N.C.	5
N.O.	4
green	3
COM	3
white	3
POWER 2	2
black	2
POWER 1	1
red	1



C4190 CONTROL

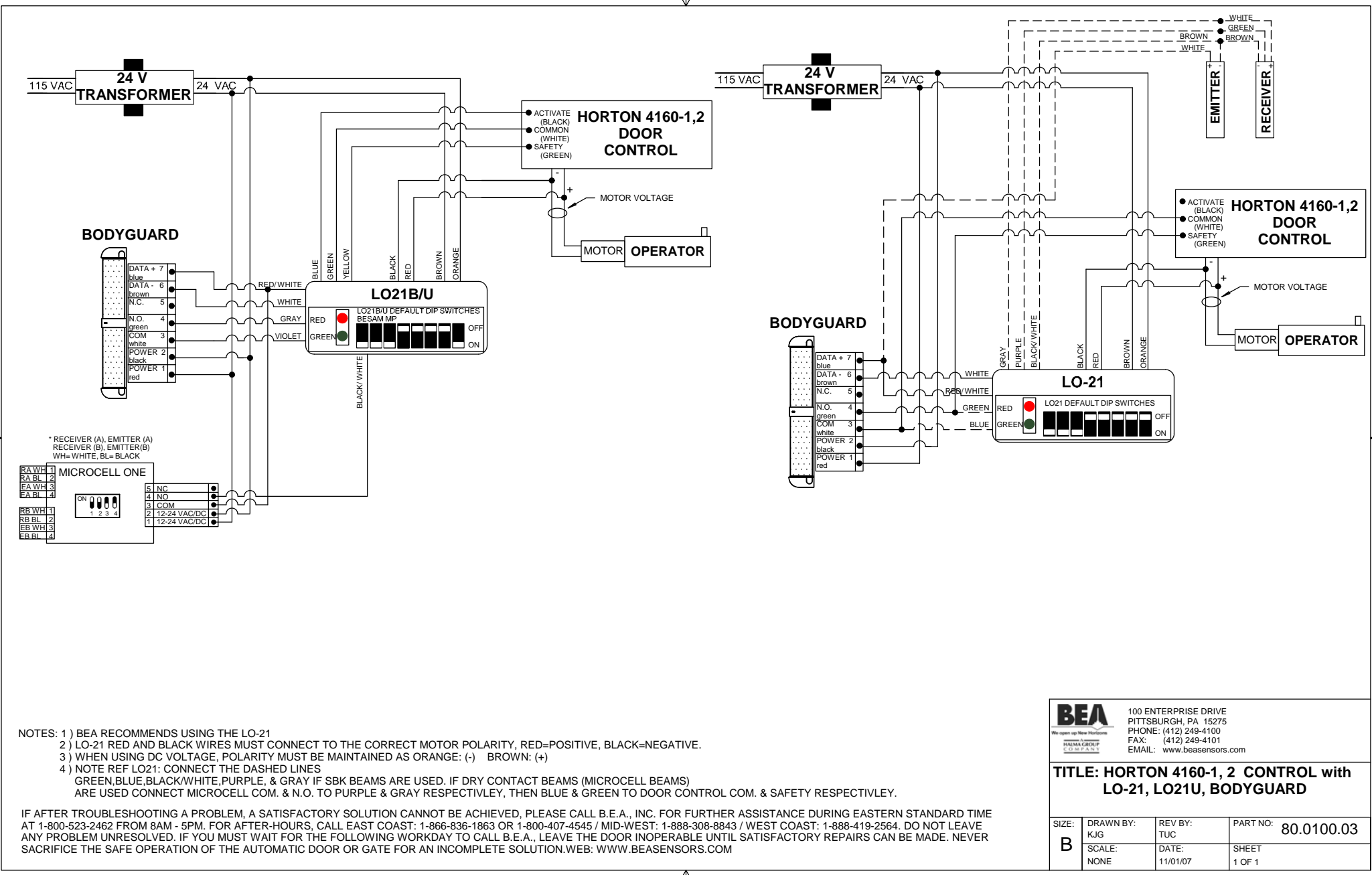
1	+ 24 VDC
2	ACTUATION
3	COMMON
4	SAFETY
5	TOGGLE
6	COMMON
7	+ 24 VDC
8	COMMON
9	STOPNR'SUM
10	STOP-N-SEEK
11	UNLOCK
12	OPEN



NOTES: USE CN3 FOR POWER

IF AFTER TROUBLESHOOTING A PROBLEM, A SATISFACTORY SOLUTION CANNOT BE ACHIEVED, PLEASE CALL B.E.A., INC. FOR FURTHER ASSISTANCE DURING EASTERN STANDARD TIME AT 1-800-523-2462 FROM 8AM - 5PM. FOR AFTER-HOURS, CALL EAST COAST: 1-866-836-1863 OR 1-800-407-4545 / MID-WEST: 1-888-308-8843 / WEST COAST: 1-888-419-2564. DO NOT LEAVE ANY PROBLEM UNRESOLVED. IF YOU MUST WAIT FOR THE FOLLOWING WORKDAY TO CALL B.E.A., LEAVE THE DOOR INOPERABLE UNTIL SATISFACTORY REPAIRS CAN BE MADE. NEVER SACRIFICE THE SAFE OPERATION OF THE AUTOMATIC DOOR OR GATE FOR AN INCOMPLETE SOLUTION.WEB: WWW.BEASENSORS.COM

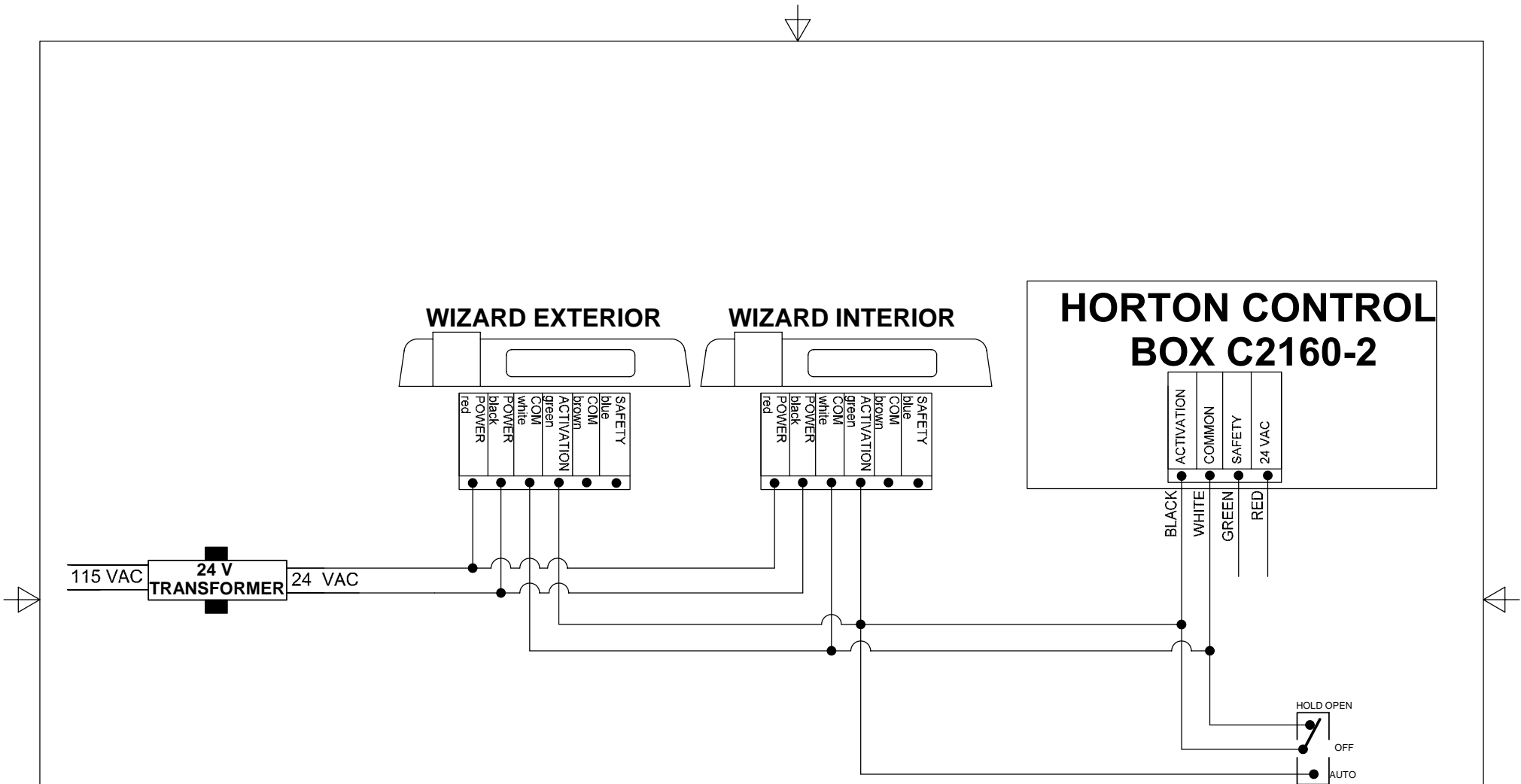
		100 ENTERPRISE DRIVE PITTSBURGH, PA 15275 PHONE: (412) 249-4100 FAX: (412) 249-4101 EMAIL: www.beasensors.com	
<p>TITLE: HORTON C4190 CONTROL WITH PARALLAX 2 SYSTEM Q-DISCONNECT ON APPROACH SIDE</p>			
SIZE:	DRAWN BY:	REV BY:	PART NO:
B	KJG	TUC	80.0099.02
SCALE:	DATE:	SHEET	
NONE	19 OCT 2005	1 OF 1	



- NOTES: 1) BEA RECOMMENDS USING THE LO-21
 2) LO-21 RED AND BLACK WIRES MUST CONNECT TO THE CORRECT MOTOR POLARITY, RED=POSITIVE, BLACK=NEGATIVE.
 3) WHEN USING DC VOLTAGE, POLARITY MUST BE MAINTAINED AS ORANGE: (-) BROWN: (+)
 4) NOTE REF LO21: CONNECT THE DASHED LINES
 GREEN,BLUE,BLACK/WHITE,PURPLE, & GRAY IF SBK BEAMS ARE USED. IF DRY CONTACT BEAMS (MICROCELL BEAMS) ARE USED CONNECT MICROCELL COM. & N.O. TO PURPLE & GRAY RESPECTIVLEY, THEN BLUE & GREEN TO DOOR CONTROL COM. & SAFETY RESPECTIVLEY.

IF AFTER TROUBLESHOOTING A PROBLEM, A SATISFACTORY SOLUTION CANNOT BE ACHIEVED, PLEASE CALL B.E.A., INC. FOR FURTHER ASSISTANCE DURING EASTERN STANDARD TIME AT 1-800-523-2462 FROM 8AM - 5PM. FOR AFTER-HOURS, CALL EAST COAST: 1-866-836-1863 OR 1-800-407-4545 / MID-WEST: 1-888-308-8843 / WEST COAST: 1-888-419-2564. DO NOT LEAVE ANY PROBLEM UNRESOLVED. IF YOU MUST WAIT FOR THE FOLLOWING WORKDAY TO CALL B.E.A., LEAVE THE DOOR INOPERABLE UNTIL SATISFACTORY REPAIRS CAN BE MADE. NEVER SACRIFICE THE SAFE OPERATION OF THE AUTOMATIC DOOR OR GATE FOR AN INCOMPLETE SOLUTION.WEB: WWW.BEASENSORS.COM

		100 ENTERPRISE DRIVE PITTSBURGH, PA 15275 PHONE: (412) 249-4100 FAX: (412) 249-4101 EMAIL: www.beasensors.com	
TITLE: HORTON 4160-1, 2 CONTROL with LO-21, LO21U, BODYGUARD			
SIZE: B	DRAWN BY: KJG	REV BY: TUC	PART NO: 80.0100.03
SCALE: NONE	DATE: 11/01/07	SHEET 1 OF 1	



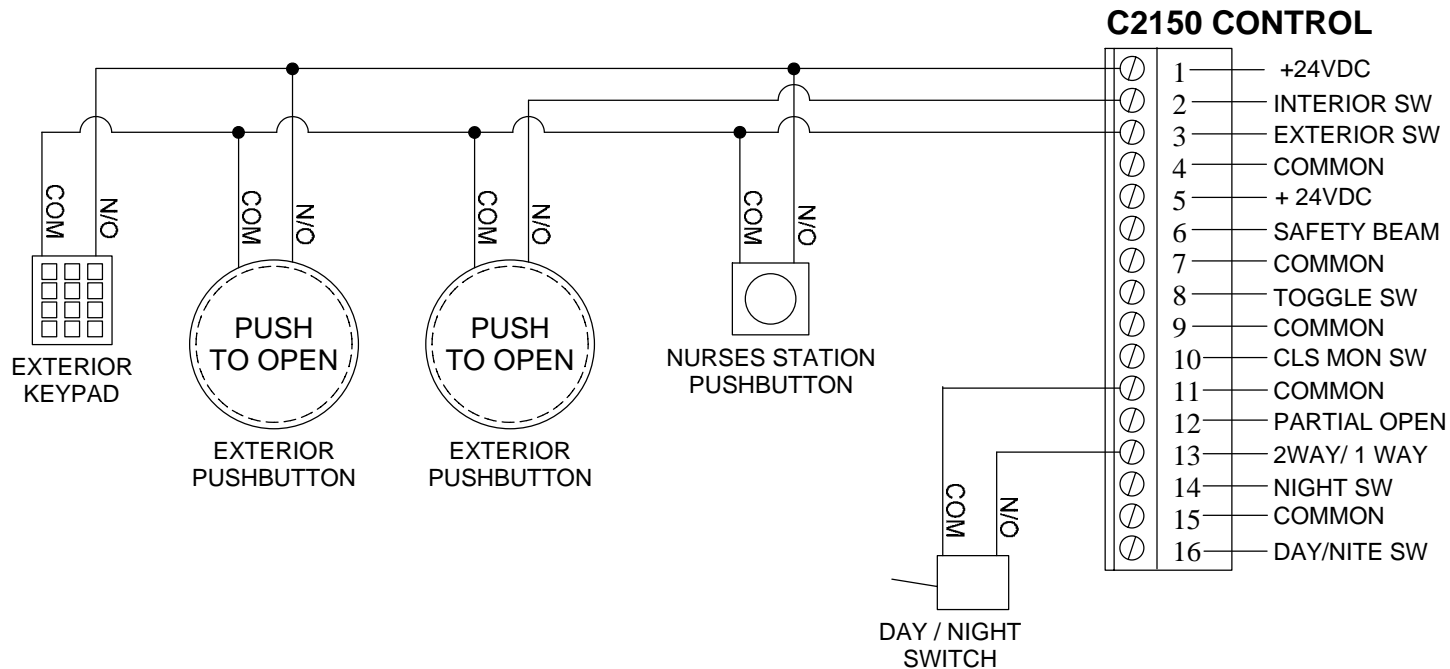
NOTES: 1) REDIRECT WIZARD RELAY MODE WITH REMOTE BY SELECTING F1 THEN 1,LOCK,LOCK.

IF AFTER TROUBLESHOOTING A PROBLEM, A SATISFACTORY SOLUTION CANNOT BE ACHIEVED, PLEASE CALL B.E.A., INC. FOR FURTHER ASSISTANCE DURING EASTERN STANDARD TIME AT 1-800-523-2462 FROM 8AM - 5PM. FOR AFTER-HOURS, CALL EAST COAST: 1-866-836-1863 OR 1-800-407-4545 / MID-WEST: 1-888-308-8843 / WEST COAST: 1-888-419-2564. DO NOT LEAVE ANY PROBLEM UNRESOLVED. IF YOU MUST WAIT FOR THE FOLLOWING WORKDAY TO CALL B.E.A., LEAVE THE DOOR INOPERABLE UNTIL SATISFACTORY REPAIRS CAN BE MADE. NEVER SACRIFICE THE SAFE OPERATION OF THE AUTOMATIC DOOR OR GATE FOR AN INCOMPLETE SOLUTION. WEB: WWW.BEASENSORS.COM

BEA
 We open up New Horizons
 HALMA GROUP
 COMPANY
 100 ENTERPRISE DRIVE
 PITTSBURGH, PA 15275
 PHONE: (412) 249-4100
 FAX: (412) 249-4101
 EMAIL: www.beasensors.com

TITLE: HORTON C2160-2 WITH WIZARD II

SIZE: A	DRAWN BY: KJG	REV BY: TUC	PART NO: 80.0101.05
	SCALE: NONE	DATE: 20 MAR 2006	SHEET 1 OF 1

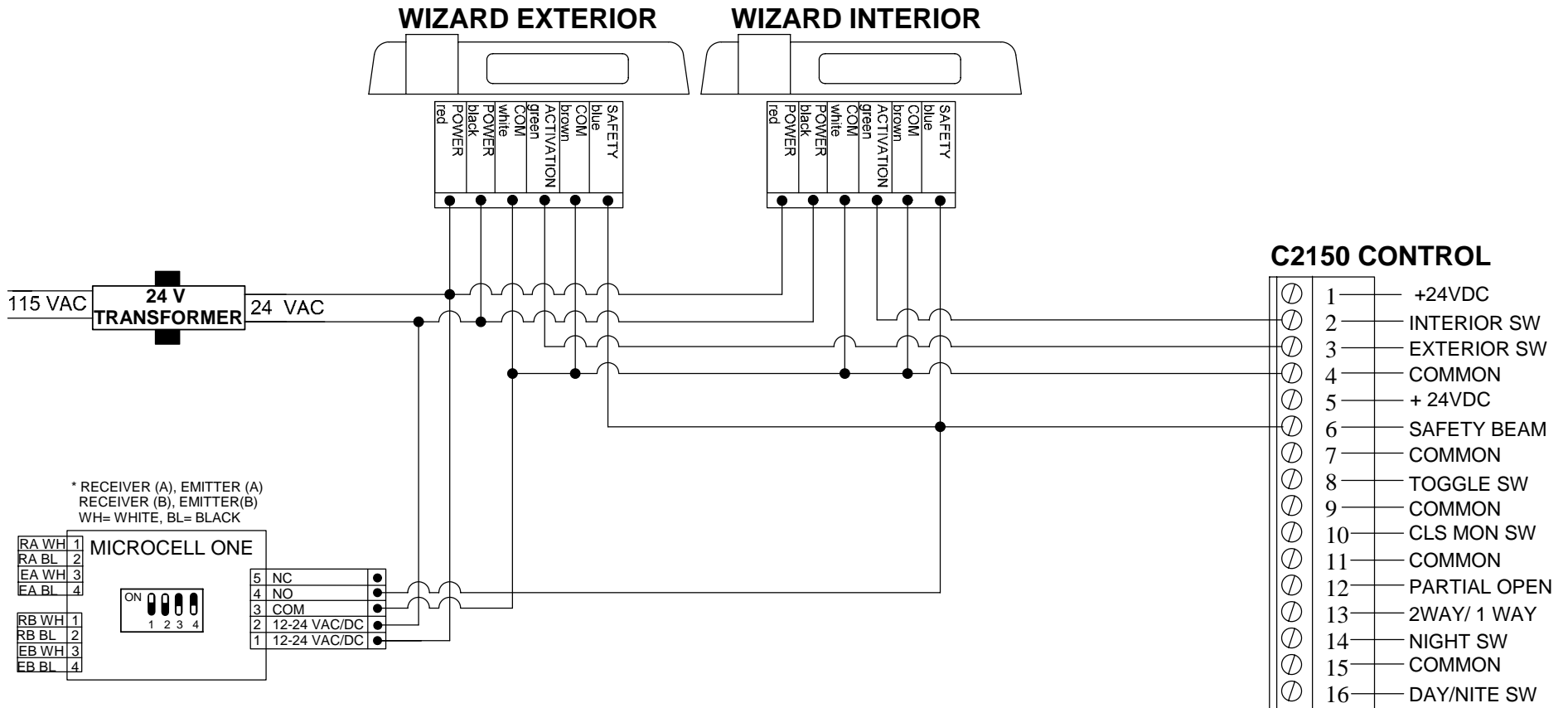


BEA
 We open up New Horizons
 HALMA GROUP COMPANY
 100 ENTERPRISE DRIVE
 PITTSBURGH, PA 15275
 PHONE: (412) 249-4100
 FAX: (412) 249-4101
 EMAIL: www.beasensors.com

**TITLE: HORTON 2150 MICRO-PROCESSOR
 WITH NURSES STATION/
 CARD READER**

IF AFTER TROUBLESHOOTING A PROBLEM, A SATISFACTORY SOLUTION CANNOT BE ACHIEVED, PLEASE CALL B.E.A., INC. FOR FURTHER ASSISTANCE DURING EASTERN STANDARD TIME AT 1-800-523-2462 FROM 8AM - 5PM. FOR AFTER-HOURS, CALL EAST COAST: 1-866-836-1863 OR 1-800-407-4545 / MID-WEST: 1-888-308-8843 / WEST COAST: 1-888-419-2564. DO NOT LEAVE ANY PROBLEM UNRESOLVED. IF YOU MUST WAIT FOR THE FOLLOWING WORKDAY TO CALL B.E.A., LEAVE THE DOOR INOPERABLE UNTIL SATISFACTORY REPAIRS CAN BE MADE. NEVER SACRIFICE THE SAFE OPERATION OF THE AUTOMATIC DOOR OR GATE FOR AN INCOMPLETE SOLUTION.WEB: WWW.BEASENSORS.COM

SIZE: A	DRAWN BY: KJG	REV BY: TUC	PART NO: 80.0104.02
	SCALE: NONE	DATE: 19 OCT 2005	SHEET 1 OF 1



NOTE: 1) WIZARDS AND MICROCELL 1 WILL OPERATE WITH THE 24 VAC ON THE C3925 POWER SUPPLY.

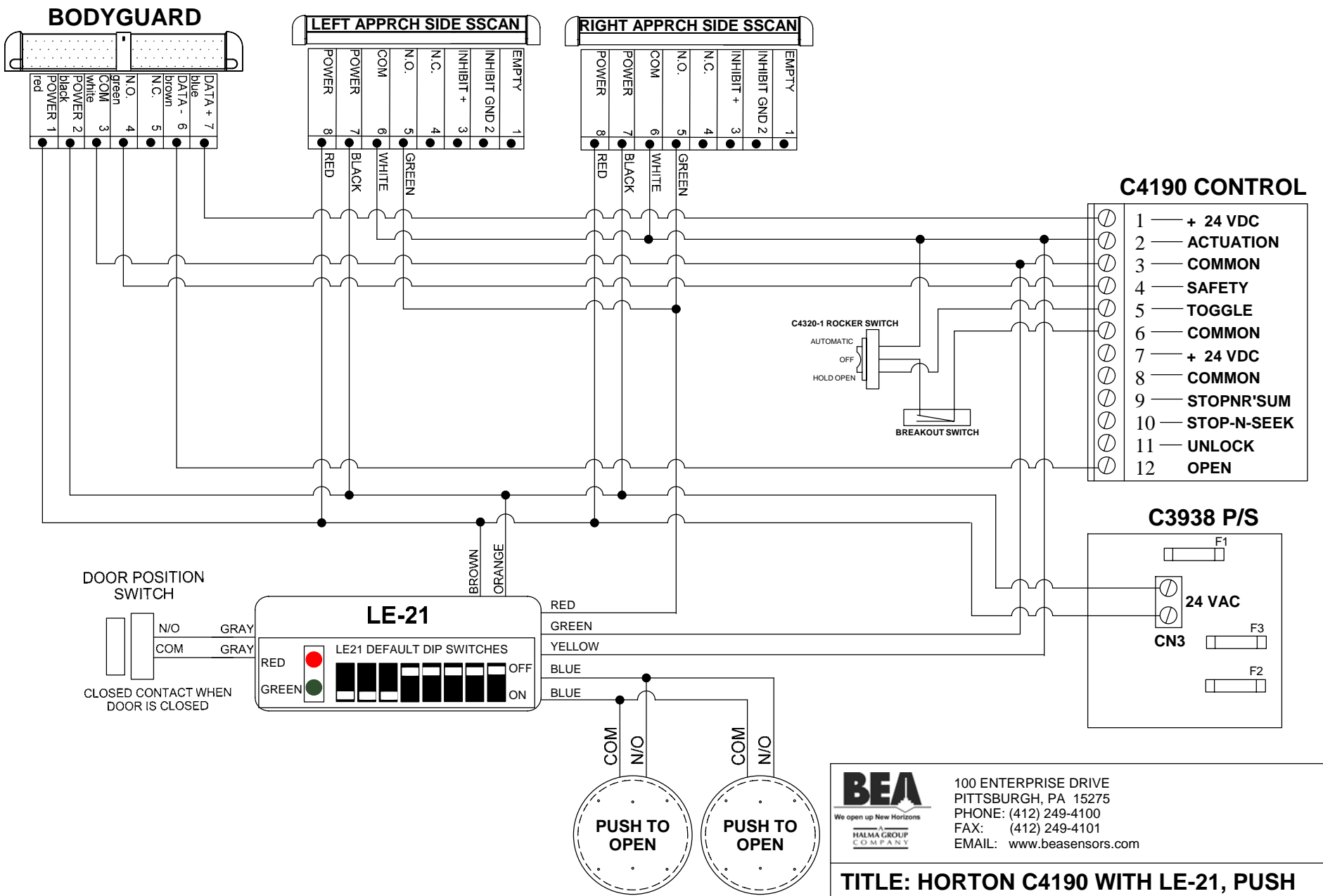
IF AFTER TROUBLESHOOTING A PROBLEM, A SATISFACTORY SOLUTION CANNOT BE ACHIEVED, PLEASE CALL B.E.A., INC. FOR FURTHER ASSISTANCE DURING EASTERN STANDARD TIME AT 1-800-523-2462 FROM 8AM - 5PM. FOR AFTER-HOURS, CALL EAST COAST: 1-866-836-1863 OR 1-800-407-4545 / MID-WEST: 1-888-308-8843 / WEST COAST: 1-888-419-2564. DO NOT LEAVE ANY PROBLEM UNRESOLVED. IF YOU MUST WAIT FOR THE FOLLOWING WORKDAY TO CALL B.E.A., LEAVE THE DOOR INOPERABLE UNTIL SATISFACTORY REPAIRS CAN BE MADE. NEVER SACRIFICE THE SAFE OPERATION OF THE AUTOMATIC DOOR OR GATE FOR AN INCOMPLETE SOLUTION. WEB: WWW.BEASENSORS.COM



100 ENTERPRISE DRIVE
PITTSBURGH, PA 15275
PHONE: (412) 249-4100
FAX: (412) 249-4101
EMAIL: www.beasensors.com

TITLE: HORTON C2150 CONTROL BOX WITH WIZARD SYSTEM, MICROCELL 1

SIZE: A	DRAWN BY: KJG	REV BY: KJG	PART NO: 80.0105.03
	SCALE: NONE	DATE: 18 OCT 2005	SHEET 1 OF 1



IF AFTER TROUBLESHOOTING A PROBLEM, A SATISFACTORY SOLUTION CANNOT BE ACHIEVED, PLEASE CALL B.E.A., INC. FOR FURTHER ASSISTANCE DURING EASTERN STANDARD TIME AT 1-800-523-2462 FROM 8AM - 5PM. FOR AFTER-HOURS, CALL EAST COAST: 1-866-836-1863 OR 1-800-407-4545 / MID-WEST: 1-888-308-8843 / WEST COAST: 1-888-419-2564. DO NOT LEAVE ANY PROBLEM UNRESOLVED. IF YOU MUST WAIT FOR THE FOLLOWING WORKDAY TO CALL B.E.A., LEAVE THE DOOR INOPERABLE UNTIL SATISFACTORY REPAIRS CAN BE MADE. NEVER SACRIFICE THE SAFE OPERATION OF THE AUTOMATIC DOOR OR GATE FOR AN INCOMPLETE SOLUTION. WEB: WWW.BEASENSORS.COM

BEA
 We open up New Horizons
 HALMA GROUP COMPANY
 100 ENTERPRISE DRIVE
 PITTSBURGH, PA 15275
 PHONE: (412) 249-4100
 FAX: (412) 249-4101
 EMAIL: www.beasensors.com

TITLE: HORTON C4190 WITH LE-21, PUSH PLATES, BODYGUARD, SUPERSCAN

SIZE: A	DRAWN BY: KJG	REV BY: JDC	PART NO: 80.0157.02
	SCALE: NONE	DATE: 20 MARCH 2006	SHEET 1 OF 1

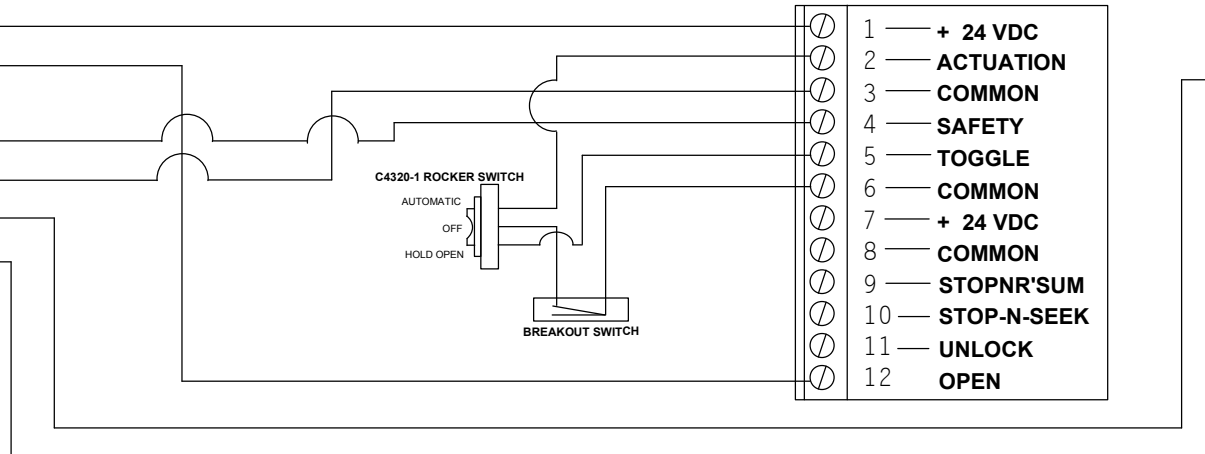
BODYGUARD



DK-12



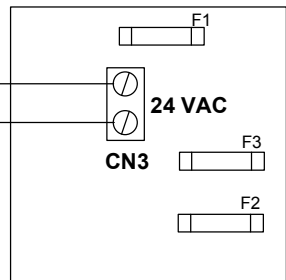
DATA +	7
DATA -	6
N.C.	5
N.O.	4
COM	3
POWER 2	2
POWER 1	1



C4190 CONTROL

- 1 — + 24 VDC
- 2 — ACTUATION
- 3 — COMMON
- 4 — SAFETY
- 5 — TOGGLE
- 6 — COMMON
- 7 — + 24 VDC
- 8 — COMMON
- 9 — STOPNR'SUM
- 10 — STOP-N-SEEK
- 11 — UNLOCK
- 12 — OPEN

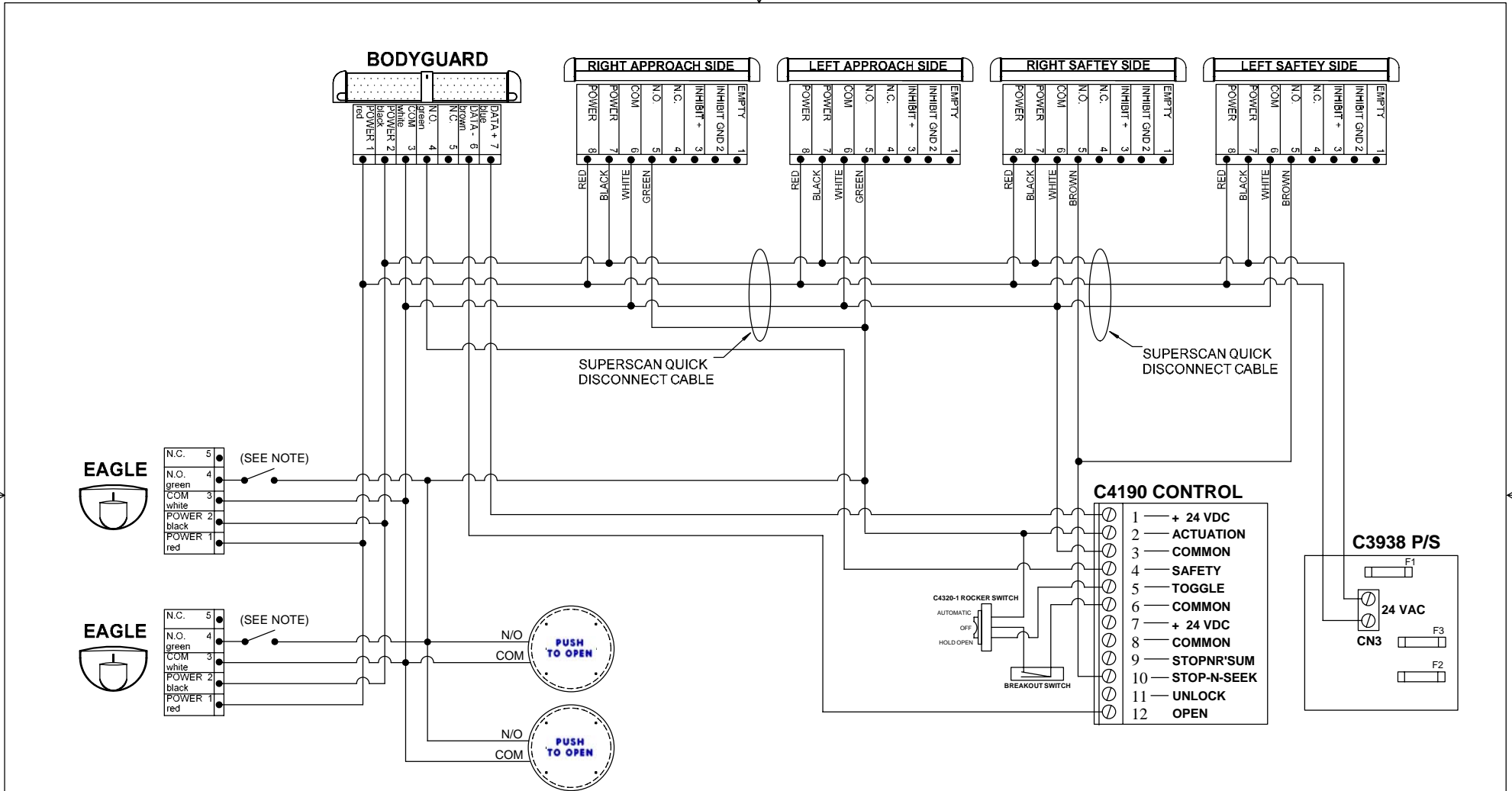
C3938 P/S



BEA B.E.A., Inc.
 We open up New Horizons 100 Enterprise Drive Pittsburgh, PA 15275
 HALMA GROUP PH: (412) 249-4100 FAX: (412) 249-4101
 COMPANY www.beasensors.com

TITLE: HORTON C4190, C3938 WITH BODYGUARD / DK12

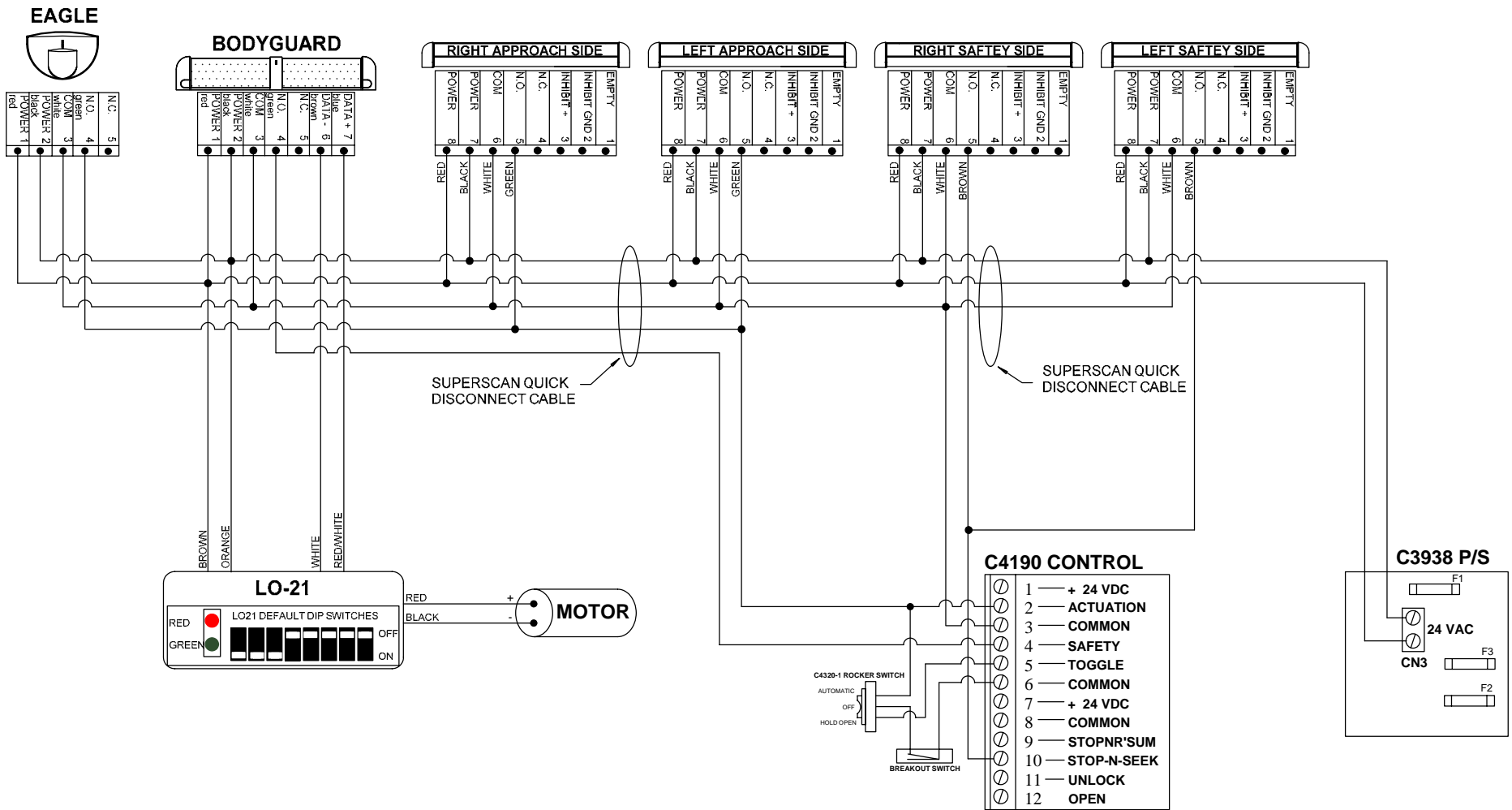
SIZE: A	CAGE CODE:	DWG NO: 80.0160	FILE OF: ENG'G	DRAWN BY: JED	REV: 01
SCALE: NONE	DATE: 06 JAN 04	SHEET: 1 OF 1			



NOTE: SWITCH MUST OPEN 10 DEGREES FROM DOOR CLOSING

IF AFTER TROUBLESHOOTING A PROBLEM, A SATISFACTORY SOLUTION CANNOT BE ACHIEVED, PLEASE CALL B.E.A., INC. FOR FURTHER ASSISTANCE DURING EASTERN STANDARD TIME AT 1-800-523-2462 FROM 8AM - 5PM. FOR AFTER-HOURS, CALL EAST COAST: 1-866-836-1863 OR 1-800-407-4545 / MID-WEST: 1-888-308-8843 / WEST COAST: 1-888-419-2564. DO NOT LEAVE ANY PROBLEM UNRESOLVED. IF YOU MUST WAIT FOR THE FOLLOWING WORKDAY TO CALL B.E.A., LEAVE THE DOOR INOPERABLE UNTIL SATISFACTORY REPAIRS CAN BE MADE. NEVER SACRIFICE THE SAFE OPERATION OF THE AUTOMATIC DOOR OR GATE FOR AN INCOMPLETE SOLUTION. WEB: WWW.BEASENSORS.COM

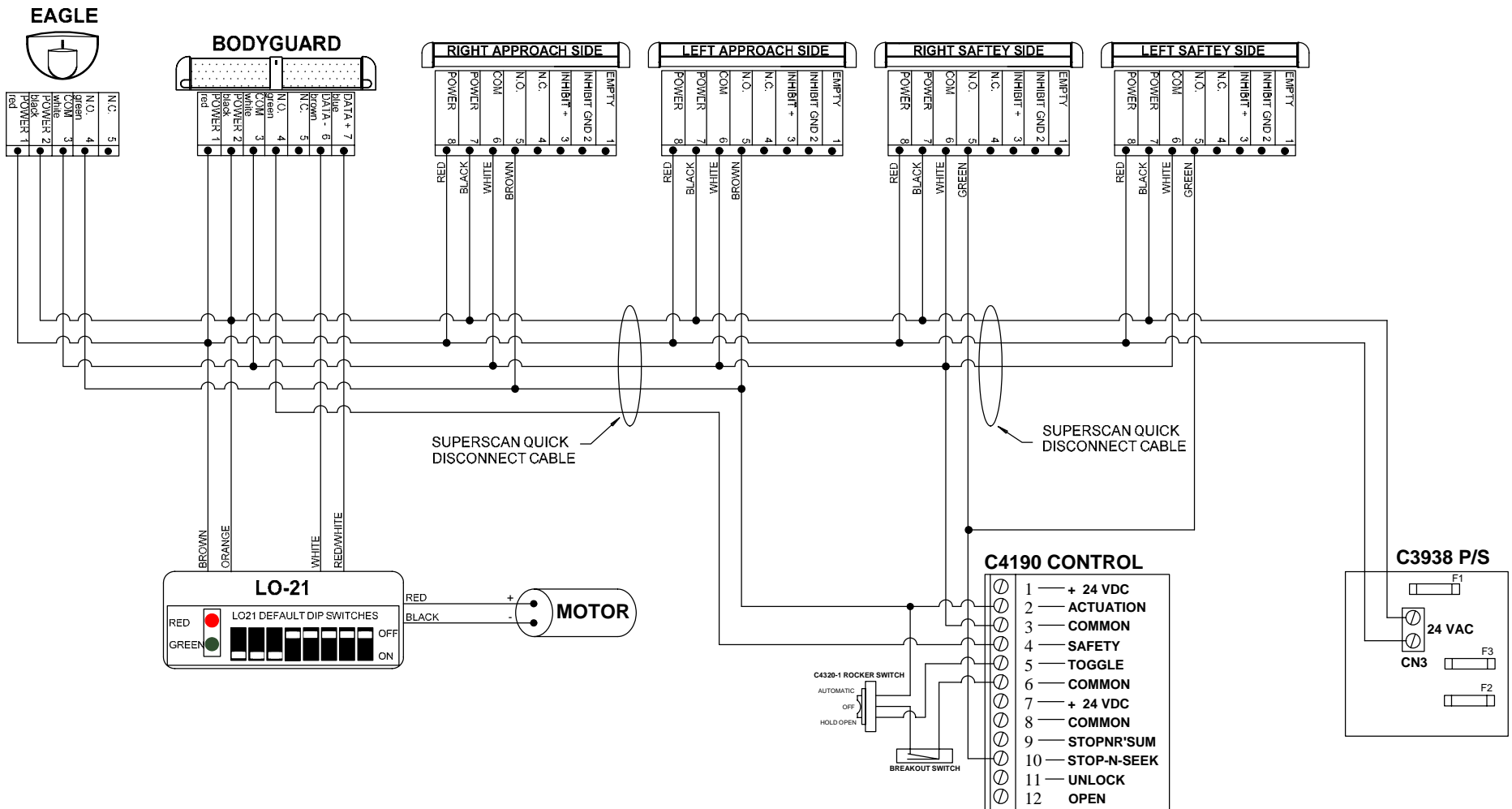
		100 ENTERPRISE DRIVE PITTSBURGH, PA 15275 PHONE: (412) 249-4100 FAX: (412) 249-4101 EMAIL: www.beasensors.com	
TITLE: HORTON C4190 CONTROL WITH KNOWING ACT SYSTEM Q-DISCONNECT ON APPROACH			
SIZE: B	DRAWN BY: TUC	REV BY: TUC	PART NO: 80.0205.01
SCALE: NONE	DATE: 10 NOV 2005	SHEET: 1 OF 1	



- NOTES: 1) CAP OFF REMAINING UNUSED WIRES ON LO21.
 2) LO21 DIP SWITCHES 1-5 FOR LOCKOUT TIME, #6,7,8, NOT USED.
 3) OPTION: CONNECT LO21 MOTOR LEAD RED TO TERMINAL 1 AND BLACK TO TERMINAL 12.

IF AFTER TROUBLESHOOTING A PROBLEM, A SATISFACTORY SOLUTION CANNOT BE ACHIEVED, PLEASE CALL B.E.A., INC. FOR FURTHER ASSISTANCE DURING EASTERN STANDARD TIME AT 1-800-523-2462 FROM 8AM - 5PM. FOR AFTER-HOURS, CALL EAST COAST: 1-866-836-1863 OR 1-800-407-4545 / MID-WEST: 1-888-308-8843 / WEST COAST: 1-888-419-2564. DO NOT LEAVE ANY PROBLEM UNRESOLVED. IF YOU MUST WAIT FOR THE FOLLOWING WORKDAY TO CALL B.E.A., LEAVE THE DOOR INOPERABLE UNTIL SATISFACTORY REPAIRS CAN BE MADE. NEVER SACRIFICE THE SAFE OPERATION OF THE AUTOMATIC DOOR OR GATE FOR AN INCOMPLETE SOLUTION.WEB: WWW.BEASENSORS.COM

		100 ENTERPRISE DRIVE PITTSBURGH, PA 15275 PHONE: (412) 249-4100 FAX: (412) 249-4101 EMAIL: www.beasensors.com	
TITLE: HORTON C4190 CONTROL WITH PARALLAX 2 SYSTEM, LO21 Q-DISCONNECT ON APPROACH SIDE			
SIZE:	DRAWN BY:	REV BY:	PART NO:
B	TUC	TUC	80.0208.01
SCALE:	DATE:	SHEET:	
NONE	19 OCT 2005	1 OF 1	



- NOTES: 1) CAP OFF REMAINING UNUSED WIRES ON LO21.
 2) LO21 DIP SWITCHES 1-5 FOR LOCKOUT TIME, #6,7,8, NOT USED.
 3) OPTION: CONNECT LO21 MOTOR LEAD RED TO TERMINAL 1 AND BLACK TO TERMINAL 12.

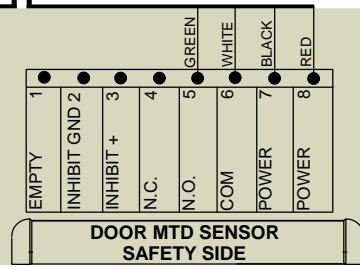
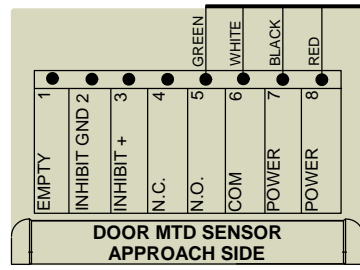
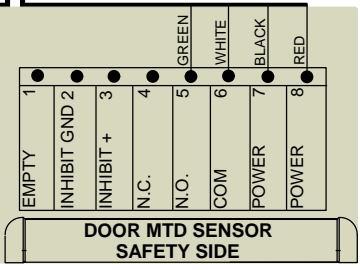
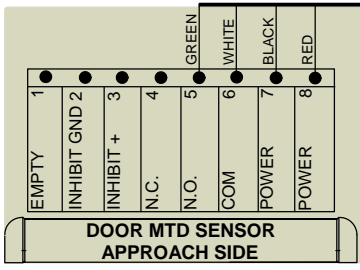
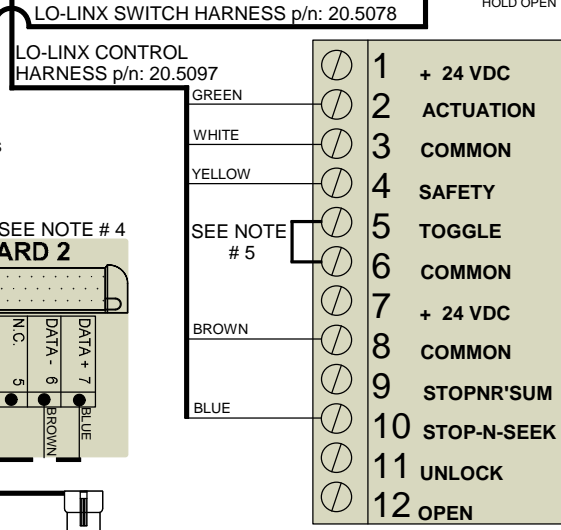
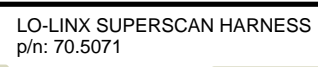
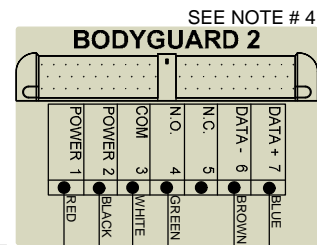
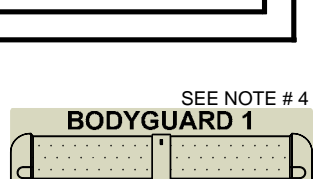
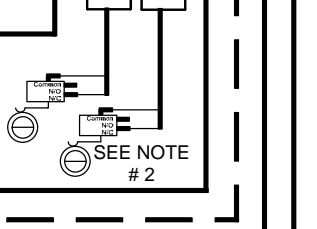
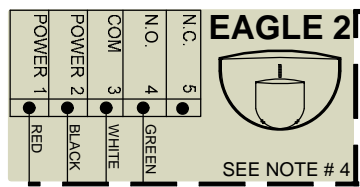
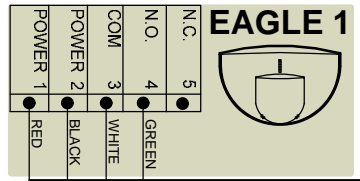
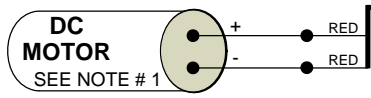
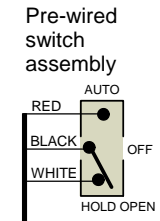
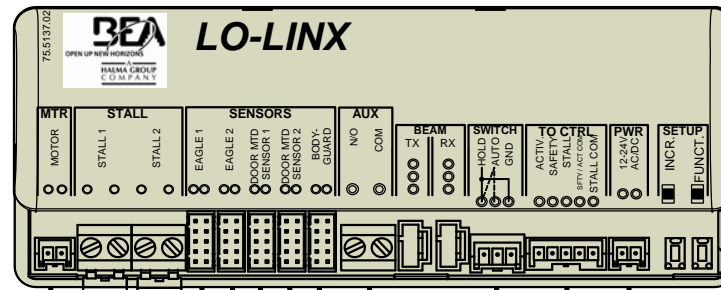
IF AFTER TROUBLESHOOTING A PROBLEM, A SATISFACTORY SOLUTION CANNOT BE ACHIEVED, PLEASE CALL B.E.A., INC. FOR FURTHER ASSISTANCE DURING EASTERN STANDARD TIME AT 1-800-523-2462 FROM 8AM - 5PM. FOR AFTER-HOURS, CALL EAST COAST: 1-866-836-1863 OR 1-800-407-4545 / MID-WEST: 1-888-308-8843 / WEST COAST: 1-888-419-2564. DO NOT LEAVE ANY PROBLEM UNRESOLVED. IF YOU MUST WAIT FOR THE FOLLOWING WORKDAY TO CALL B.E.A., LEAVE THE DOOR INOPERABLE UNTIL SATISFACTORY REPAIRS CAN BE MADE. NEVER SACRIFICE THE SAFE OPERATION OF THE AUTOMATIC DOOR OR GATE FOR AN INCOMPLETE SOLUTION.WEB: WWW.BEASENSORS.COM

BEA 100 ENTERPRISE DRIVE
 PITTSBURGH, PA 15275
 PHONE: (412) 249-4100
 FAX: (412) 249-4101
 EMAIL: www.beasensors.com

TITLE: HORTON C4190 CONTROL WITH PARALLAX 2 SYSTEM, LO21 Q-DISCONNECT ON SAFETY SIDE

SIZE: B	DRAWN BY: TUC	REV BY: TUC	PART NO: 80.0209.01
SCALE: NONE	DATE: 19 OCT 2005	SHEET: 1 OF 1	

LO-LINX SWING	GREEN ACT.	WHITE COM.	YELLOW SAF.	BLUE STALL	BROWN STAL COM.
BESAM 300	13	12	11	15, 17	16, 18
BESAM M/P	3	4	9	5	13
DOM	YELLOW	GREY	BLUE	PURPLE	GREY
GT 300/400	BLACK	RED	WHITE	WHITE	RED
GT MAG	6 BLACK	5 RED	4 WHITE	3 VIOLET	5 RED
HORTON 4190	2	3, 6, 8	4	10	3, 6, 8
HUNTER	ACT.	RTN	SAF. 1	SAF. 2	RTN
KM K	GREEN	WHITE	RED	YELLOW	WHITE
STANLEY "L"	ORANGE	YELLOW	RED	BLUE	YELLOW
STANLEY M/P	2	1, 8	7	7	1, 8
STANLEY 521	TB4-5	TB4-4	TB4-8	TB4-10	TB4-9
TORMAX TDA	2	1, 3, 6, 8	8 & 9	7	1, 3, 6, 8



- NOTES:
1. MOTOR CONNECTION IS TIED IN PARALLEL TO EXISTING MOTOR LEADS. NO RESPECT TO PALARITY IS REQUIRED.
 2. EXTERNAL SWITCH IS REQUIRED IF INHIBIT DESIRED AT SWING SIDE SUPERSkans, SWITCH OPENS UPON INHIBIT POINT.
 3. THE KNOWING ACT SWITCH IS CONNECTED AT THE AUX INPUT AND CAN BE ANY DRY CONTACT DEVICE SUCH AS A PUSHPLATE, CARD READER, ETC. THE AUX INPUT IS REQUIRED FOR ALL INITIAL ACTIVATION WHEN FUNCTION "FA" ON THE LO-LINX IS SET TO '01'.
 4. THE SECOND BODYGUARD AND EAGLE ARE PRIMARILY USED IN DUAL-EGRESS APPLICATIONS. IF A SECOND BODYGUARD IS REQUIRED, USE A "Y" HARNESS (20.5083). ENSURE BODYGUARD RELAY VALUE IS SET TO 2.
 5. INSERT JUMPER INTO 5 & 6.

IF AFTER TROUBLESHOOTING A PROBLEM, A SATISFACTORY SOLUTION CANNOT BE ACHIEVED, PLEASE CALL B.E.A., INC. FOR FURTHER ASSISTANCE DURING EASTERN STANDARD TIME AT 1-800-523-2462 FROM 8AM - 5PM. FOR AFTER-HOURS, CALL EAST COAST: 1-866-836-1863 OR 1-800-407-4545 / MID-WEST: 1-888-308-8843 / WEST COAST: 1-888-419-2564. DO NOT LEAVE ANY PROBLEM UNRESOLVED. IF YOU MUST WAIT FOR THE FOLLOWING WORKDAY TO CALL B.E.A., LEAVE THE DOOR INOPERABLE UNTIL SATISFACTORY REPAIRS CAN BE MADE. NEVER SACRIFICE THE SAFE OPERATION OF THE AUTOMATIC DOOR OR GATE FOR AN INCOMPLETE SOLUTION. WEB: WWW.BEASENSORS.COM

100 ENTERPRISE DRIVE
PITTSBURGH, PA 15275
PHONE: (412) 249-4100
FAX: (412) 249-4101
EMAIL: www.beasensors.com

TITLE: HORTON 4190 LO-LINX SYSTEM

SIZE:	DRAWN BY: JED	REV BY: TUC	PART NO: 80.0284.00
A	SCALE: NONE	DATE: 10/15/2007	SHEET 1 OF 1

Free Manuals Download Website

<http://myh66.com>

<http://usermanuals.us>

<http://www.somanuals.com>

<http://www.4manuals.cc>

<http://www.manual-lib.com>

<http://www.404manual.com>

<http://www.luxmanual.com>

<http://aubethermostatmanual.com>

Golf course search by state

<http://golfingnear.com>

Email search by domain

<http://emailbydomain.com>

Auto manuals search

<http://auto.somanuals.com>

TV manuals search

<http://tv.somanuals.com>