



(GB)
pag. 2

**INSTRUCTIONS FOR THE INSTALLATION, MAINTENANCE
AND USE OF FIXED HOBS WITH GAS OR MIXED SUPPLY**

DIMENSIONS: (605 mm)(W) x (520 mm)(D)

Models PM6030X (TYPE PM6V) 'A'

Models PM6040X (TYPE PM6V) 'B'

(FR)
page. 8

**INSTRUCTIONS POUR L'INSTALLATION, L'ENTRETIEN ET
L'UTILISATION DES TABLES DE CUISSON ENCASTRABLES
GAZ ET MIXTES**

DIMENSION: (605 mm)(W) x (520 mm)(D)

Modeles PM6030X (MODELE PM6V) 'A'

Modeles PM6040X (MODELE PM6V) 'B'

310678

(GB)

Read this instruction booklet before installing and using the appliance.

The manufacturer will not be responsible for any damage to property or to persons caused by incorrect installation or improper use of the appliance.

The manufacturer reserves the right to make changes to its products when considered necessary and useful, without affecting the essential safety and operating characteristics.

This appliance has been designed for non-professional, domestic use only.
THIS APPLIANCE HAS BEEN DESIGNED FOR NON PROFESSIONAL USE IN HOUSEHOLDS.



This appliance is marked according to the European directive 2002/96/EC on Waste Electrical and Electronic Equipment (WEEE).
This guideline is the frame of a European-wide validity of return and recycling on Waste Electrical and Electronic Equipment.

This appliances is not intended to be used by people (children included) with reduced psychic and motor capacities, or with lack of experience and knowledge, unless there is supervision or instruction on the use of the appliance by a person responsible for their safety " Children must be supervised to make sure that they do not play with the appliance"

TECHNICAL MANUAL FOR THE INSTALLER

INFORMATION FOR THE INSTALLER

The installation, all regulations, changes and maintenance referred to in this part must only be carried out by qualified staff. A wrong installation can cause damage to persons, animals or things which the manufacturer cannot be held responsible for. The safety and automatic regulation devices on the appliances can only ever be changed by the manufacturer or by the supplier which has been authorised to do so.

INFORMATION FOR THE INSTALLER

The installation, all regulations, changes and maintenance referred to in this part must only be carried out by qualified staff.

A wrong installation can cause damage to persons, animals or things which the manufacturer cannot be held responsible for.

The safety and automatic regulation devices on the appliances can only ever be changed by the manufacturer or by the supplier which has been authorised to do so.

Inserting the hotplate

After having removed the various loose parts from the internal and external packing, make sure that the hotplate is not damaged and is suitable for the specific gas usage. The gas type label is on the underside of the hotplate base.

In case of doubt, do not use the appliance and contact skilled personnel.

Keep all the packing parts (polystyrene foam, cardboard, staples, etc.) away from children.

Consider the critical dimensions of the appliance, before making an opening in the top surface of the bench top. (relative measurements as per Fig 1- 2).

Requirements

1. Overhead clearances (Minimum values)

The minimum overhead clearances shall be in accordance with the minimum values indicated in the table n.1 and are shown and in the fig. 1- 2

Range hoods and exhaust fans shall be installed in accordance with the manufacturer's instructions. However, in no case shall the clearance between the top of the highest burner of the cooking appliance and the range hood be less than 650mm.

Any other downward facing combustible surface less than 600mm above the top of the highest burner shall be protected for the full width and depth of the cooking surface area.

However, in no case shall this clearance to any surface be less than 450mm.

Maximum depth for the overheads cabinet is 330mm

2. Side clearances (Minimum values)

The different side clearances shall be in accordance with the minimum values indicated in the table n.1 and are shown in the fig. 1- 2

The cooking surface area is defined as that part of the appliance where cooking normally takes place and does not include those parts of the appliance containing control knobs.

Table n.1

Hobs models	Type A - B	Hobs models	Type A - B
<i>Min. Clearances</i>	<i>(mm)</i>	<i>Min. Clearances</i>	<i>(mm)</i>
L1	500	L10	560
L2	40	L11	915
L3	70	W	605
L4	457	D	520
L5	610	B1 (*)	60
L6	330	B2 (*)	152
L7	925	B3 (*)	60
L8	40	B4 (*)	152
L9	172		

(*) Note:

-B1 is the min. clearance between the front edge of the appliance and the front edge of the cabinet.

-B2 and B4 are the min. clearance between the left/right side edge of the appliance and the side wall (if present).

-B3 is the min. clearance between the back edge of the appliance and the back wall.

Attaching the hotplate

To prevent liquids from leaking accidentally into the underlying storage space, the appliance is equipped with a special gasket. To apply this gasket, carefully follow the instructions in Fig. 3. Lay out the protective sealing strips along the edges of the opening in the bench top and carefully overlap the strip end. (See Fig. 3). Insert the hotplate into the bench top opening. With a screwdriver assemble the brackets to the hotplate bottom by means of the screws. (See Fig. 3A-3B). Slide the hooks into position and secure them with the screws.

Trim the part of the sealing strips which extend beyond the hotplate base

IMPORTANT INFORMATION CONCERNING THE INSTALLATION OF THE APPLIANCE

The hob can be installed by itself, in an isolated position or inserted between two kitchen units or between one kitchen unit and a wall. Furthermore the back wall and surrounding surfaces must resist a temperature of 65 K.

To prevent the plastic layer which covers the kitchen unit from ungluing, the glue used to join the two surfaces together must resist temperatures of up to 150 °C

The installation of the appliance must be carried out according to the norms in force of the country concerned and the appliance must be installed in a well ventilated place.

This appliance is not equipped with devices to remove the products of combustion. The appliance must therefore be connected following the norms for installation mentioned above. Special attention must be paid to the information below regarding aeration and ventilation of the premises.

VENTILATION OF THE PREMISES

To guarantee that the appliance works correctly it is necessary that the place where the appliance is installed is continuously ventilated. The volume of the premises must not be less than 25 m³ and the quantity of air needed must be based on the regular combustion of gas and on the ventilation of the premises. The natural flow of air will take place through permanent openings made in the wall of the premises to be ventilated: these openings will be connected to the outside and must have a minimum section of 100 cm² (see Fig. 4). These openings must be made in such a way that they cannot be obstructed.

POSITION AND VENTILATION

The cooking appliances that use gas must always remove the products of combustion via a hood linked to chimneys, chimney flues or via a direct connection to the outside (see Fig. 5A). If it is not possible to fit a hood it is possible to use a fan, fitted on the window or facing directly outside, which operates when the appliance is in use. (see Fig. 5B). In this way the norms in force of the country concerned regarding the ventilation of premises are strictly followed.

CONNECTING THE APPLIANCE TO THE GAS SUPPLY

Before connecting the appliance to the gas supply you first need to remove the plastic protective plug for the gas supply which is inserted under pressure in the gas inlet connection. To remove the plug simply unscrew it.

Then make sure that the details shown on the label on the lower part of the case are compatible with those of the gas supply.

A label on the last page of this manual and on the lower part of the case indicates the conditions for regulating the appliance: type of gas and pressure used.

IMPORTANT: This appliance must be installed in accordance with the norms in force of the country concerned and it must only be used in a well-ventilated place.

ATTENTION: Remember that the gas inlet connection for the appliance is threaded 1/2 gas cylindrical male in accordance with the norms UNI-ISO 228-1. (Fig. 6-7)

CONNECTION OF THE APPLIANCE TO THE ELECTRICITY SUPPLY:

Connection to the electricity supply must be carried out according to the norms and indications of the law in force.

Before carrying out the connection check that:

- The electric charge of the system and the sockets are suitable for the maximum power of the appliance (see label on the lower part of the case).
- The socket or system is equipped with an efficient earth connection according to the norms and indications of the law currently in force. No responsibility can be held if these indications are not respected.

When the connection to the electricity supply is made with a socket.

Fit onto the electric cable a standard plug (if it is not provided) which is appropriate for the charge indicated on the label. Connect up the wires according to the diagram in Fig. 8 taking care to respect the corresponding pairs listed below:

letter L (phase) = brown coloured wire;

letter N (neutral) = blue coloured wire;

symbol "⏚" earth = green-yellow coloured wire;

- The electric cable must be positioned so that it cannot reach a temperature of over 75 K at any point.
- Do not use reducers, adapters or shunts for the connection as they could cause false contacts and subsequent dangerous overheating.

When the connection is made directly with the electricity supply:

- To connect the appliance directly to the supply mains, a means for disconnection having a contact separation in all poles that provide full disconnection under overvoltage category III conditions, must be incorporated in the fixing wiring, according with the wiring rules.
- Remember that the earth wire must not be interrupted by the switch.
- Alternatively the electrical connection can also be protected by a differential switch of high sensitivity.
- You are strongly advised to fix the special yellow-green earth wire to an efficient earthing system

ATTENTION: The appliance conforms with the regulations of directives 90/396EEC (Gas Directive) regarding gas appliances for domestic use and the like, 93/68 and 73/23 (Low Voltage Directive) regarding electrical safety and 2004/108/CE, 93/68 and 89/336 (EMC Directive) regarding electromagnetic compatibility.

Wiring diagrams

For hotplate see Fig. 13.

Wiring diagram description

- | | |
|--------------------|------------------|
| 1. Cable terminal | L. Black |
| 2. Ignition switch | N. White |
| 3. Spark generator | T. Green (earth) |
| 4. Ignition spark | |

MAINTENANCE OF THE MACHINE

CHANGING THE PARTS

Before carrying out any maintenance work, disconnect the appliance from the gas and electric supply.

To replace different components such as burners, taps and electrical parts you must take out the hob from the kitchen unit by releasing the fixing hooks, unscrew the fixing screws of the burners on the work top, unscrew the fixing nuts of the electric plates which are visible on the lower part of the hob and remove the worktop in order to carry out the replacement of the defective parts.

NOTE: If the taps need replacing you also need to unscrew the two fixing screws of the gas ramp at the bottom of the hob which are found on the upper part of the latter.

For appliances equipped with automatic "ON" switches you must dismantle the "ON" switch chain before replacing the taps.

You are advised to change the seal on the tap every time you replace a tap in order to ensure a perfect hold between the body and ramp.

WARNING: The electric cable which is provided with the appliance is connected to the appliance with a type X connection and thus can be replaced with the same type of cable as that installed without using special tools. In the event of wear or damage to the mains cable, replace it with :

Type/ section of mains cable H05VV-F 3x0,75 mm² or H05RR-F 3x0,75 mm²

WARNING: If you replace the electric mains cable the installer must have the earth conductor about 2 cm longer than the phase conductors and must also take heed of the warnings regarding electric connection.

Room ventilation – Location and venting.

ATTENTION: An exhaust fan may be used with the appliance; in each case it shall be installed in conformity with the national standards in force.

ATTENTION: Exhaust hood operation may affect other vented appliances; in each case it shall be installed in conformity with the national standards in force.

- CHANGING THE NOZZLES FOR USE WITH OTHER TYPES OF GAS:

To change the nozzles of the burners use the following procedure:

Lift up the burners and unscrew the nozzles (Fig. 9) using an adjustable spanner of 7 mm and change the nozzles with those designed for the new gas supply according to the information given in TABLE A shown below.

TABLE N°2: Adapting to different types of gas

APPLIANCE CATEGORY: III

Burner	Type of Gas	Pressure mbar	Nozzle diameter 1/100mm	Nominal Charge				Reduced Charge		Diameter by-pass 1/100mm
				g/h	l/h	Kw	kcal/h	kw	kcal/h	
Auxiliary	Town G110	8	145	-	227	1,00	860	0,30	258	27 reg
	Natural G20	20	77	-	95	1,00	860	0,30	258	27 reg
	Butane G30	28	50	73	-	1,00	860	0,30	258	27
	Propane G31	37	50	71	-	1,00	860	0,30	258	27
Semi-Rapid	Town G110	8	192	-	397	1,75	1505	0,44	378	31 reg
	Natural G20	20	101	-	167	1,75	1505	0,44	378	31 reg
	Butane G30	28	66	127	-	1,75	1505	0,44	378	31
	Propane G31	37	66	125	-	1,75	1505	0,44	378	31
Rapid	Town G110	8	280	-	681	3	2580	0,75	645	42 reg
	Natural G20	20	129	-	286	3	2580	0,75	645	42 reg
	Butane G30	28	87	218	-	3	2580	0,75	645	42
	Propane G31	37	87	214	-	3	2580	0,75	645	42
Dual burner inner	Town G110	8	130	-	181	0,8	688	0,30	258	27 reg
	Natural G20	20	70	-	76	0,8	688	0,30	258	27 reg
	Butane G30	28	46	211	-	0,8	688	0,30	258	27
	Propane G31	37	46	207	-	0,8	688	0,30	258	27
Dual burner outer	Town G110	8	2x300	-	885	4,4	3784	1,8	1548	65 reg
	Natural G20	20	2x110	-	419	4,4	3784	1,8	1548	65 reg
	Butane G30	28	2x69	298	-	4,1	3526	1,8	1548	65
	Propane G31	37	2x69	293	-	4,1	3526	1,8	1548	65

CAUTION: save the orifices removed from the appliance for future use

Regulation of burners

Regulation of the "MINIMUM" on the burners

To regulate the minimum on the burners carry out the following procedure indicated below:

- 1) Turn on the burner and put the knob onto position MINIMUM (small flame).
- 2) Remove the knob (Fig. 10) of the tap which is set for standard pressure. The knob is found on the bar of the tap itself.

- 3) Beside the tap bar on the work top, use a small screwdriver that fits the screw (gold) found on the lower part of the tap and turn the fixing screw to the right or left until the flame of the burner is regulated in the most suitable way to MINIMUM.
- 4) Make sure that the flame does not go out when changing the position quickly from MAXIMUM to the MINIMUM position.

ATTENTION: The regulation described above can be carried out only with burners using natural gas, while with burners using propane gas the screw must be fully screwed in, in a clockwise direction.

Descriptions

DESCRIPTIVE CAPTION FOR HOB

1. Dual burner
2. Rapid burner
3. Medium burner
4. Small Burner
5. Dual in burner control knob
6. Dual out burner control knob
7. Rapid burner control knob
8. Medium burner control knob
9. Small burner control knob

DESCRIPTION OF HOBS

- Model 'A' Fig. 11
Model 'B' Fig. 12

Service & maintenance instructions

Service and maintenance only to be carried out by an authorised person

To replace parts such as burners, valves and electric components, the hotplate must be removed from the bench top by releasing the attachment hooks, loosening the attachment screws of each burner, unscrewing the hotplate attachments nuts which are visible at the bottom of the surface, removing the hotplate top and finally replacing the defective parts.

Note: if the valves must be replaced, first disassemble the ignitions switches wires.

It is recommended to replace the valve gaskets each time the valve is replaced, thus ensuring a perfect seal between the body and the gas train.

WARNING: Disconnect power before servicing unit.

For the location of the wall receptacle for the connection of the three-pin earthed plug of the appliance, see indications given in Fig. 1- 2

WARNING: After first installation of the appliance or after any service intervention concerning main gas parts of the appliance, make the leak test using water with soap on the gas connections in order to verify the correct installation. Do not use fire for gas leak testing.

User instructions

WARNINGS:

Keeping appliance area clear and free from combustible materials, gasoline and other flammable vapors and liquid.

Do not store dangerous or flammable material in the cabinet areas above appliance; store them in a safe place in order to avoid potential hazards.

For safe use of appliance, do not use it for space heating.

Do not use aerosol sprays in the vicinity of this appliance while it is in operation

For description of hotplates refer to installation instructions.

Using burners

A diagram is etched on the control panel above each knob which indicates which burner corresponds to that knob.

Manual ignition:

Manual ignition is always possible even when the power is cut off or in the event of prolonged power failure. Turn the knob that corresponds to the burner selected counterclockwise to the MAXIMUM position at the etched star (large flame) and place a lit match up to the burner.

Burners fitted with a safety device (thermocouple):

Turn the knob that corresponds to the burner selected counterclockwise to the MAXIMUM position at the etched star (large flame) and then press the knob down to activate the spark ignition. Once ignited, keep pressing the knob for about 10 seconds to allow the flame to heat the thermocouple. If the burner does not remain alight after releasing the knob repeat the above procedure,

Note: Dual burner is composed by two burner (inside and outside); each one operates under the relative gas valve independently from the other one.

Note: It is recommended not to try to ignite the burner if the relative flame cap is not in the correct position

Tips for using burners correctly:

WARNING: During use of each gas burner(s) adjust the burner flame size properly so it does not extend beyond the edge of the cooking utensil. This is an instruction based on safety considerations

- Use suitable pots for each burner (see Fig. 14 and Table B)
- When the liquid is boiling, turn down the knob to the MINIMUM position.
- Always use pots with a cover.

Table B

Burner	Recommended pan diameters (mm)
Small	120 – 140
Medium	140 – 260
Large	180 – 260
Dual	220 – 260

Correct usage of pans:

- Dry the bottom of the pan before placing it on the hotplate.
- Use pots with a flat, thick bottom, except for wok cooking.
- When using the burners, ensure that the handles of the pans are correctly positioned. Keep children away from the appliance.
- When cooking foods with oil and fat, which are very flammable, the user should not leave the appliance unattended.

WARNING: If the power is cut off, the burners can be lit with matches.

The burners equipped with a safety thermocouple can only be lit when the knob is in the MAXIMUM position (large flame etching).

Note: The use of a gas cooking appliance produces heat and humidity in the room where it is installed. Therefore, proper ventilation in the room is needed and natural ventilation openings must remain unobstructed and activating the mechanical exhaust fan/range hood. Intensive and continuous use of the appliance may require additional ventilation, for example by opening a window, or increasing the power of the mechanical exhaust fan/range hood, if installed.

Cleaning the appliance:

Never use abrasive cleaners

Before cleaning the appliance it should be disconnected from the power supply.

Cleaning the work surface: periodically clean the burner heads, the enamelled steel pan supports and the burner caps using warm water.

Any spillage must always be removed as soon as possible using a rag.

If it become difficult to open or close a valve, do not force it, but immediately request the assistance of the technical service personnel.

Cleaning the enamelled parts: Enamelled parts should be cleaned frequently with soapy water. Never use abrasive powder. Do not leave acidic or alkaline substances on the enamelled parts (such as vinegar, lemon juice, salt, tomato sauce, etc.) and do not wash the enamelled parts while they are still hot.

Cleaning the stainless steel parts: Clean the parts with soapy water and dry them with a soft cloth. The shine is maintained by periodically using suitable products which can be found in the supermarket. Never use abrasive powders.

Cleaning the burner caps: Lift the burner caps from the burner heads and wash them in soapy water and dry thoroughly. Before replacement on the burner head ensure that the holes are not clogged.

(FR)

CETTE TABLE DE CUISSON A ETE CONCUE POUR UN USAGE DOMESTIQUE NON PROFESSIONNEL.



Cet appareil est marqué selon la directive européenne 2002/96/CE relative aux appareils électriques et électroniques usagés (waste electrical and electronic equipment - WEEE).
La directive définit le cadre pour une reprise et une récupération des appareils usagés applicables dans les pays de la CE.

Cet appareil ne doit pas être utilisé par des personnes (y compris les enfants) ayant des capacités psychiques et motrices réduites ou n'ayant pas l'expérience et la connaissance suffisante, sauf sous la supervision ou selon les instructions d'une personne responsable de leur sécurité quant à l'emploi de l'appareil. Les enfants doivent être surveillés afin de s'assurer qu'ils ne jouent pas avec l'appareil.

L'appareil n'est pas conçu pour fonctionner avec un minuteur extérieur ou tout autre système de contrôle à distance.

Installation, Service et Instructions pour l'Utilisateur

Insertion de la table de cuisson

Après avoir enlevé les différentes parties libres à l'intérieur et à l'extérieur de l'emballage, assurez-vous que la table de cuisson ne soit pas endommagée et qu'elle soit appropriée pour l'utilisation du gaz spécifique. L'étiquette du type de gaz se trouve en dessous de la base de la table de cuisson.

En cas de doute, n'employez pas l'appareil et contactez le personnel préposé.

Gardez toutes les pièces de l'emballage (mousse de polystyrène, carton, agrafes, etc.) loin des enfants.

Considérez les dimensions critiques de l'appareil, avant d'effectuer une ouverture dans la surface supérieure du banc de travail. (mesures relatives selon la Fig 1- 2).

Exigences

1. Distances des meubles suspendus (Valeurs minimum)

Les distances minimum devront être conformes aux valeurs minimum indiquées dans la table n.1 et sont illustrées dans la fig. 1- 2

Les hottes de cuisine et les ventilateurs aspirant doivent être installés selon les instructions du fabricant. Cependant, dans aucun cas, la distance entre la partie supérieure du brûleur le plus haut de l'appareil de cuisson et la hotte d'aspiration devra être inférieure au 650mm.

N'importe quelle autre surface combustible orientée vers le bas à moins de 600mm vers la partie supérieure du brûleur le plus haut devra être protégée pour sa largeur complète et profondeur de la zone à cuire.

Cependant, dans aucun cas cette distance à n'importe quelle surface, devra être inférieure à 450mm.

La profondeur maximum des armoires suspendues est de 330mm

2. Distances latérales (Valeurs minimum)

Les différentes distances latérales devront être conformes aux valeurs minimum indiquées dans la table n.1 et illustrées dans la fig. 1- 2. La zone de la surface à cuire est définie comme la partie de l'appareil où on fait normalement la cuisson, et n'inclut pas les parties de l'appareil qui contiennent les boutons de contrôle.

Table n.1

Modèles de tables de cuisson	Type A - B	Modèles de tables de cuisson	Type A - B
<i>Distances Min.</i>	<i>pouces (mm)</i>	<i>Distances Min.</i>	<i>pouces (mm)</i>
L1	500	L10	560
L2	40	L11	915
L3	70	W	605
L4	457	D	520
L5	610	B1 (*)	60
L6	330	B2 (*)	152
L7	925	B3 (*)	60
L8	40	B4 (*)	152
L9	172		

(*) Notes:

-B1 est la distance min. entre le bord frontal de l'appareil et le bord frontal de l'armoire.

-B2 et B4 sont les distances minimum entre le bord latéral droit/gauche de l'appareil et le mur latéral (si présent).

-B3 est la distance minimum entre le bord arrière de l'appareil et le mur arrière.

Fixation de la table de cuisson

Pour empêcher aux liquides de fuir accidentellement dans l'espace de stockage sous-jacent, l'appareil est équipé d'une garniture spéciale. Pour appliquer cette garniture, suivez attentivement les instructions dans la Fig. 3. Disposez les bandes d'étanchéité protectrices le long des bords de l'ouverture du banc de travail et couvrez soigneusement l'extrémité de la bande. (Voir Fig. 3). Insérez la table de cuisson dans l'ouverture du banc de travail. A l'aide d'un tournevis assemblez les supports en dessous de la table de cuisson au moyen des vis. (Voir Fig. 3A-3B). Positionnez les crochets dans la position et fixez-les avec les vis.

Recoupez la partie des bandes protectrices qui s'étendent au-delà de la base de la table de cuisson.

INFORMATIONS IMPORTANTES CONCERNANT L'INSTALLATION DE LA TABLE

L'installateur est informé que cette table de cuisson peut être montée individuellement ou intégrée entre deux meubles de cuisine ou entre un meuble et une cloison en maçonnerie. La cloison et les surfaces qui l'entourent doivent être en mesure de résister à une température de 65 K.

Pour prévenir le décollement du laminé en plastique qui recouvre le meuble, la colle qui les assemble doit être en mesure de résister à une température de 150 °C au moins.

La table doit être installée conformément à la réglementation nationale en vigueur dans un endroit bien ventilé.

La table n'est pas branchée à des dispositifs d'évacuation des produits de la combustion. Elle devra donc l'être conformément à la réglementation d'installation citée ci-dessus. Une attention particulière doit être prêtée aux consignes en matière de ventilation décrites ci-dessous.

VENTILATION DE LA PIECE

Pour garantir un bon fonctionnement de la table, il faut que la pièce où elle sera installée soit continuellement ventilée. Le volume de la pièce doit être de 25 m³ minimum et la quantité d'air nécessaire proportionnelle à la combustion régulière de gaz et à la ventilation de la pièce. L'afflux naturel d'air s'effectuera à travers des ouvertures permanentes pratiquées dans les cloisons de la pièce à ventiler : ces ouvertures doivent être raccordées avec l'extérieur et avoir une section minimum de 100 cm² (cfr. FIG.4). Ces ouvertures devront être conçues de façon à ce qu'elles ne puissent pas être obstruées.

EMPLACEMENT ET AERATION

Les appareils de cuisson au gaz doivent toujours évacuer les produits de combustion au moyen de hottes reliées à des cheminées, des conduits de fumée ou directement vers l'extérieur (cfr. FIG.5A). Si l'installation d'une hotte est impossible, on pourra utiliser un ventilateur sur une fenêtre ou donnant directement sur l'extérieur qui devra être mis en fonction en même temps que l'appareil (cfr. FIG.5B), à condition que la réglementation nationale en vigueur en matière de ventilation soit obligatoirement respectée.

RACCORDEMENT DE LA TABLE AU RESEAU DU GAZ

Avant de raccorder la table au réseau du gaz, il faut avant tout enlever le bouchon de protection en plastique introduit sous pression dans le raccord d'entrée du circuit du gaz. Il suffit simplement de le dévisser.

Vérifiez si les données reportées sur la plaquette d'identification appliquée au bas du caisson sont compatibles avec celles du réseau de distribution du gaz.

La plaquette appliquée sur la dernière page de cette notice et au bas du caisson reporte les conditions de réglage de la table, le type de gaz et la pression d'exercice.

IMPORTANT : La table doit être installée conformément à la réglementation nationale en vigueur dans un endroit bien ventilé.

ATTENTION : Il est rappelé que le raccord d'arrivée du gaz de la table est fileté ½ B.S.P. cylindrique mâle conformément à la norme UNI-ISO 228-1. (FIG.67)

BRANCHEMENT ELECTRIQUE DE LA TABLE:

Le branchement électrique doit être exécuté conformément aux normes et à la législation en vigueur.

Avant d'effectuer le branchement, vérifiez si :

- Le débit électrique de l'installation et des prises de courant est adapté à la puissance maximale de la table (cfr. la plaquette d'identification appliquée au bas du caisson).
- La prise ou l'installation est dotée d'une mise à la terre efficace et conforme à la réglementation en vigueur. Le fabricant décline toute responsabilité en cas de non respect de ces dispositions.

Si le branchement au secteur s'effectue à travers une prise :

- Montez une fiche normalisée sur le cordon d'alimentation (si ce dernier n'en est pas pourvu), adaptée à la puissance reportée sur la plaquette d'identification. Branchez les fils en vous basant sur le schéma du dessin 8 en ayant soin de respecter les indications suivantes :

lettre L (phase) = fil marron,

lettre N (neutre) = fil bleu,

symbole "⏏" terre = fil jaune-vert.

- Le cordon d'alimentation doit être positionné de façon à ce qu'il n'atteigne jamais tout au long de son parcours une température de 75K
- N'utilisez pas de réductions, adaptateurs ni déviateurs car ils pourraient provoquer de faux contacts et, par conséquent, des surchauffes dangereuses.

Si le branchement se fait directement sur le secteur :

- Pour brancher l'électricité directement à l'appareil, il doit être inclus dans le système d'alimentation électrique un interrupteur avec une séparation parmi les contacts dans tous les pôles qui doit donner pleine protection / déconnexion en conditions de surtension de catégorie III, conformément aux lois en vigueur pour les installations électriques
- Rappelez-vous que le câble de terre ne doit pas être interrompu par l'interrupteur.
- En alternative, le branchement électrique peut aussi être protégé avec un interrupteur différentiel à haute sensibilité.
- Il est vivement recommandé de relier le fil de terre jaune-vert à une mise à la terre efficace.

ATTENTION: l'appareil est conforme aux prescriptions des directives suivantes: 90/396/CEE (Directive gaz) relative aux appareils à gaz à usage domestique et similaire, 93/68 et 73/23 (Directive basse tension) relatives à la sécurité électrique et 2004/108/CE, 93/68 et 89/336 (Directives EMC) relatives à la compatibilité électromagnétique.

Schémas de câblage

Pour les tables de cuisson voir la Fig. 13.

Description du schéma de câblage

1. Cosse de câble
 2. Interrupteur
 3. Générateur d'étincelles
 4. Etincelle d'allumage
- L. Noir
N. Blanc
T. Vert (terre)

CHANGEMENT DES COMPOSANTS

Avant toute opération d'entretien, débranchez la table du réseau d'alimentation du gaz et électrique.

Pour changer les composants comme les brûleurs, robinets et pièces électriques, il faut extraire la table de cuisson du meuble en débloquant les crochets de fixation. Dévissez ensuite les vis de fixation des brûleurs, les écrous de fixation des plaques électriques visibles dans la partie inférieure de la table, extrayez la table et procédez enfin au remplacement des composants défectueux.

NOTE : Pour changer les robinets, dévissez aussi les deux vis de fixation de la rampe du gaz au fond de la table qui se trouvent dans la partie supérieure.

Sur les tables dotées de l'allumage automatique, démontez d'abord la caténaire des interrupteurs de l'allumage avant de changer les robinets. Il est conseillé de changer le joint du robinet à chaque remplacement de robinet afin de garantir une parfaite étanchéité entre le corps et la rampe.

ATTENTION : Le cordon d'alimentation fourni en dotation est branché à la table à travers un branchement de type X. Il peut donc être remplacé sans l'utilisation d'outils spéciaux, par un cordon du même type.

En cas d'usure ou de détérioration du cordon d'alimentation, remplacez-le avec :

Modèle et section du cordon d'alimentation H05VV-F 3x0,75 mm² ou H05RR-F 3x0,75 mm²

ATTENTION: En cas de remplacement du cordon d'alimentation, l'installateur devra prévoir un conducteur de terre plus long de 2 cm environ par rapport aux conducteurs de phase et il devra aussi respecter les consignes concernant le branchement électrique. Graissage des robinets : (cette opération doit impérativement être exécutée par un personnel qualifié d'un centre de service après-vente).

Ventilation du local – Positionnement et dégazage

NOTE : Un ventilateur extracteur qui aide l'évacuation des produits de la combustion peut être utilisé dans le local où se trouve l'appareil ; en chaque cas il doit être éventuellement installé conformément aux normes nationales en vigueur.

NOTE : Le fonctionnement d'une hotte d'aspiration peut avoir influence sur les autres appareils à gaz qui fonctionnent dans le même local ; en chaque cas elle doit être éventuellement installée conformément aux normes nationales en vigueur.

- REMPLACEMENT DES BECS POUR L'UTILISATION AVEC D'AUTRES TYPES DE GAZ:

Pour changer les becs des brûleurs, suivez le procédé suivant:

Soulevez les brûleurs et dévissez les becs (Fig. 9) en employant une clé réglable de 7 mm et changez les becs avec ceux conçus pour la nouvelle alimentation de gaz, selon les informations fournies dans le TABLEAU A ci-dessous.

TABLEAU N°2: Adaptation aux différents types de gaz.

APPAREIL DE CATEGORIE : III

Brûleur	Type de Gaz	Pression	Diamètre Buse	Débit Nominal				Débit Réduit		Diamètre by-pass 1/100mm
		mbar	1/100mm.	g/h	l/h	Kw	kcal/h	kW	kcal/h	
Auxiliaire	De Ville G110	8	145	-	227	1,00	860	0,30	258	27 reg
	Naturel G20	20	77	-	95	1,00	860	0,30	258	27 reg
	Naturel G25	25	80	-	111	1,00	860	0,30	258	27 reg
	Butane G30	28	50	73	-	1,00	860	0,30	258	27
	Propane G31	37	50	71	-	1,00	860	0,30	258	27
Semi-Rapide	De Ville G110	8	192	-	397	1,75	1505	0,44	378	31 reg
	Naturel G20	20	101	-	167	1,75	1505	0,44	378	31 reg
	Naturel G25	25	101	-	194	1,75	1505	0,44	378	31 reg
	Butane G30	28	66	127	-	1,75	1505	0,44	378	31
	Propane G31	37	66	125	-	1,75	1505	0,44	378	31
Rapide	De Ville G110	8	280	-	681	3	2580	0,75	645	42 reg
	Naturel G20	20	129	-	286	3	2580	0,75	645	42 reg
	Naturel G25	25	129	-	332	3	2580	0,75	645	42 reg
	Butane G30	28	87	218	-	3	2580	0,75	645	42
	Propane G31	37	87	214	-	3	2580	0,75	645	42
Brûleur Dual Intérieur	De Ville G110	8	130	-	181	0,8	688	0,30	258	27 reg
	Naturel G20	20	70	-	76	0,8	688	0,30	258	27 reg
	Naturel G25	25	70	-	89	0,8	688	0,30	258	27 reg
	Butane G30	28	46	211	-	0,8	688	0,30	258	27
	Propane G31	37	46	207	-	0,8	688	0,30	258	27
Brûleur Dual Extérieure	De Ville G110	8	2x300	-	885	4,4	3784	1,8	1548	65 reg
	Naturel G20	20	2x110	-	419	4,4	3784	1,8	1548	65 reg
	Naturel G25	25	2x110	-	488	4,4	3784	1,8	1548	65 reg
	Butane G30	28	2x69	298	-	4,1	3526	1,8	1548	65
	Propane G31	37	2x69	293	-	4,1	3526	1,8	1548	65

Réglage des brûleurs

Réglage du "MINIMUM" sur les brûleurs

Pour régler le minimum sur les brûleurs suivez le procédé indiqué ci-dessous:

- 1) Allumez le brûleur et mettez le bouton sur la position de MINIMUM (petite flamme).
- 2) Enlevez le bouton (Fig. 10) du robinet qui est réglé pour la pression standard. Le bouton se trouve sur la barre du robinet-même.
- 3) Enfoncez la pointe d'un petit tournevis à côté de la tige du robinet de la table en correspondance de la vis dorée située sur la partie inférieure du robinet et tournez la vis à droite ou à gauche jusqu'à ce que la flamme du brûleur soit réglée correctement au MINIMUM.
- 4) S'assurer que la flamme ne sorte pas en changeant rapidement la position du MAXIMUM en position de MINIMUM.

ATTENTION: Le réglage décrit ci-dessus peut être seulement effectué avec des brûleurs qui emploient le gaz naturel, tandis qu'avec les brûleurs qui emploient le gaz propane, la vis doit être complètement vissée, dans le sens des aiguilles d'une montre.

Descriptions

LEGENDE DESCRIPTIVE POUR LES TABLES DE CUISSON

1. Brûleur dual (poêle chinoise)
2. Brûleur rapide
3. Brûleur moyen
4. Brûleur petit
5. Bouton de commande du brûleur intérieur dual
6. Bouton de commande du brûleur extérieur dual
7. Bouton de commande du brûleur rapide
8. Bouton de commande du brûleur moyen
9. Bouton de commande du brûleur petit

DESCRIPTION DES TABLES

Modèle 'A' Fig. 11
Modèle 'B' Fig. 12

Instructions de service et d'entretien

Le service et l'entretien doivent seulement être exécutés par une personne autorisée

Pour remplacer les parties telles que les brûleurs, les valves et les composants électriques, la table de cuisson doit être enlevée du banc de travail en libérant les crochets de fixation, desserrant les vis de fixation de chaque brûleur, dévissant les écrous de fixation crochets de fixation de la table de cuisson qui sont visibles au fond de la surface, enlevant la partie supérieure de la table de cuisson et remplaçant ensuite les pièces défectueuses.

Avertissement: si les valves doivent être remplacées, désassemblez d'abord les câbles des interrupteurs d'allumage.

Il est recommandé de remplacer les joints de la valve chaque fois que la valve est remplacée, assurant, de cette façon, l'étanchéité parfaite entre le corps et le train de gaz.

ATTENTION: Débranchez l'alimentation avant l'entretien de l'unité.

Pour le positionnement de la prise au mur pour le branchement de la bonde de mise à terre à trois pôles de l'appareil, voir les indications illustrées en Fig. 1- 2

ATTENTION: Après la première installation de l'appareil ou après n'importe quelle intervention d'entretien concernant les parties principales du gaz de l'appareil, effectuez le test de fuite en utilisant de l'eau avec du savon sur les raccordements de gaz pour vérifier l'installation correcte. **N'utilisez pas de feu pour le test de fuite du gaz.**

Instructions pour l'utilisateur

ATTENTION:

Maintenir la zone de l'appareil propre et libre des matériaux combustibles, de l'essence et d'autres vapeurs et liquides inflammables.

Ne stockez aucun matériel dangereux ou inflammable dans les meubles suspendus sur l'appareil; stockez-les dans un lieu sûr pour éviter les risques potentiels.

Pour une utilisation sûre de l'appareil, ne l'employez pas pour le chauffage des locaux. N'utilisez pas de pulvérisateurs d'aérosol à proximité de cet appareil lorsqu'il est en fonction
Pour la description des tables de cuisson, référez-vous aux instructions d'installation.

Utilisation des brûleurs

Un diagramme est gravé sur le tableau de commande sur chaque bouton qui indique quel brûleur correspond à ce bouton.

Allumage manuel:

L'allumage manuel est toujours possible même lorsque l'alimentation est débranchée ou en cas de panne de courant prolongée.

Tournez le bouton qui correspond au brûleur choisi dans le sens contraire des aiguilles d'une montre dans la position de MAXIMUM à l'étoile gravée (flamme large) et mettez une allumette allumée sur le brûleur.

Allumage électrique automatique:

Tournez le bouton qui correspond au brûleur choisi dans le sens contraire des aiguilles d'une montre à la position de MAXIMUM à l'étoile gravée (flamme large) et puis appuyez sur le bouton pour activer l'allumage par étincelle. Relâchez le bouton quelques secondes après l'allumage du brûleur.

Brûleurs équipés d'un dispositif de sécurité (thermocouple):

Tournez le bouton qui correspond au brûleur choisi dans le sens contraire des aiguilles d'une montre à la position de MAXIMUM à l'étoile gravée (flamme large) et puis appuyez sur le bouton pour activer l'allumage par étincelle. Une fois qu'il est allumé, continuez à appuyer sur le bouton pendant 10 secondes environ, pour permettre à la flamme de chauffer le thermocouple. Si le brûleur ne reste pas allumé après avoir relâché le bouton, répétez le procédé ci-dessus.

Note: Le brûleur dual est composé de deux brûleurs (interne et externe) ; chacun d'eux fonctionne sous la valve à gaz indépendamment de l'autre.

Avertissement: Il est recommandé de ne pas essayer d'allumer le brûleur si le chapeau de la flamme relative, n'est pas en position correcte.

Suggestions pour une utilisation correcte des brûleurs:

ATTENTION: Pendant l'utilisation de chaque brûleur réglez la dimension de la flamme du brûleur correctement de façon à ce qu'elle ne se prolonge pas au-delà du bord des ustensiles de cuisine. C'est une instruction basée sur des considérations de sécurité

- Utilisez les casseroles appropriées pour chaque brûleur (voir la Fig. 14 et le Tableau B)
- Quand le liquide bout, tournez le bouton vers le bas à la position de MINIMUM.
- Utilisez toujours des casseroles avec un couvercle.

Tableau B

Brûleur	Diamètres recommandés pour les casseroles (mm)
Petit	120 – 140
Moyen	140 – 260
Large	180 – 260
Dual (poêle chinoise)	220 – 260

Utilisation correcte des casseroles:

- Essayez le fond de la casserole avant de la positionner sur la plaque de cuisson.
- Utilisez les pots avec un fond plat et épais, à l'exception de la cuisson avec poêles chinoises.
- Quand vous utilisez les brûleurs, assurez-vous d'avoir positionné correctement les manches des casseroles. Tenir les enfants loin de l'appareil.
- Quand vous cuisinez des mets avec de l'huile ou de la graisse, qui sont très inflammables, l'utilisateur ne devra pas laisser l'appareil sans surveillance.

ATTENTION: Si l'alimentation est découpée, les brûleurs peuvent être allumés avec des allumettes.

Les brûleurs équipés d'un thermocouple de sécurité peuvent seulement être allumés lorsque le bouton est en position de MAXIMUM (gravure de flamme large).

Avertissement: L'utilisation d'un appareil de cuisson à gaz produit de la chaleur et de l'humidité dans la chambre où il est installé. Par conséquent, une ventilation appropriée dans la chambre est nécessaire ainsi que les ouvertures normales de ventilation qui doivent être sans obstructions et doivent activer les ventilateurs à tirage d'air/hottes d'aspiration. Une utilisation intensive et continue de l'appareil peut exiger une ventilation additionnelle, par exemple en ouvrant une fenêtre, ou en augmentant la puissance du ventilateur à tirage d'air/hotte d'aspiration, si installés.

Nettoyage de l'appareil:

N'utilisez jamais de produits à nettoyer abrasifs

Avant de nettoyer l'appareil il doit être débranché du réseau électrique.

Nettoyage de la surface de travail: nettoyez périodiquement les têtes des brûleurs, les supports en acier émaillés des casseroles et les chapeaux des brûleurs en utilisant de l'eau chaude.

Tout débordement devra être enlevé aussitôt que possible en utilisant un chiffon.

S'il est difficile d'ouvrir ou fermer une valve, ne la forcez pas, mais demandez immédiatement l'assistance du personnel du service technique.

Nettoyage des parties émaillées: Les parties émaillées devront être nettoyées fréquemment avec de l'eau savonneuse. N'utilisez pas de poudres abrasives. Ne laissez pas de substances acides ou alcalines sur les parties émaillées (comme par exemple du vinaigre, jus de citron, sel, sauce tomate, etc.) et ne lavez pas les parties émaillées lorsqu'elles sont encore chaudes.

Nettoyage des parties en acier inox: Nettoyez les parties avec de l'eau savonneuse et séchez-les en utilisant un chiffon mou. Le brillant est maintenu en utilisant périodiquement des produits appropriés que vous pouvez trouver dans les supermarchés. N'employez jamais de poudres abrasives.

Nettoyage des chapeaux des brûleurs: Soulevez les chapeaux des brûleurs des têtes des brûleurs, lavez-les dans l'eau savonneuse et séchez-les soigneusement. Avant le remplacement sur la tête du brûleur, assurez-vous que les trous ne soient pas obstrués.

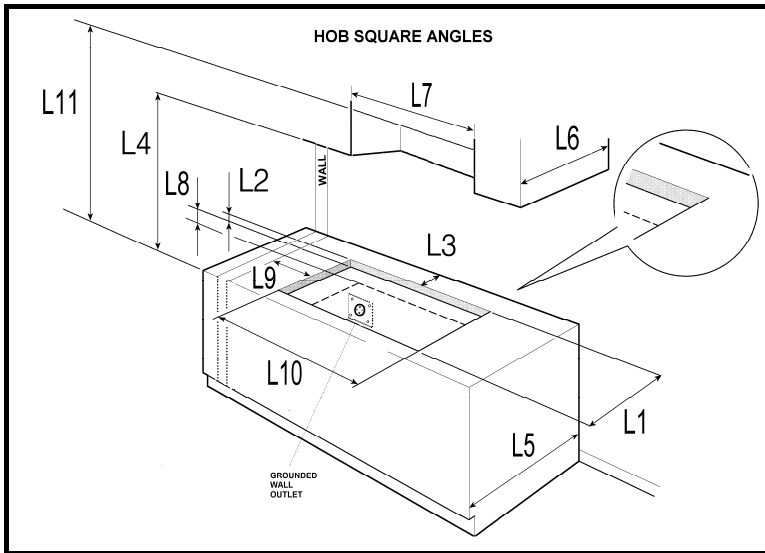


Fig 1

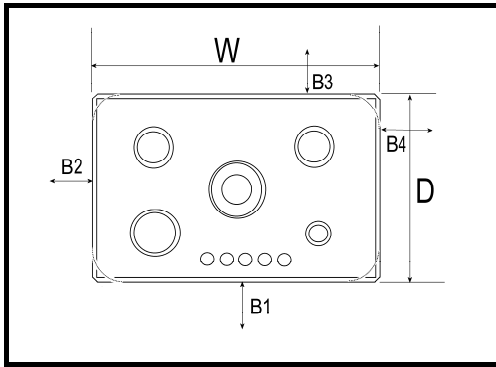


Fig 2

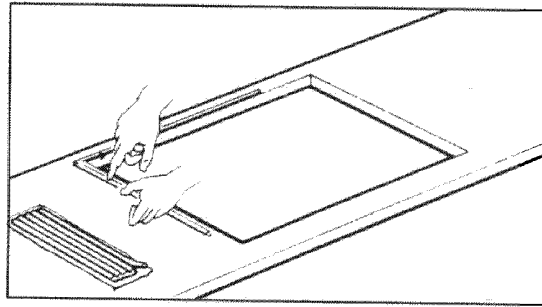


Fig.3

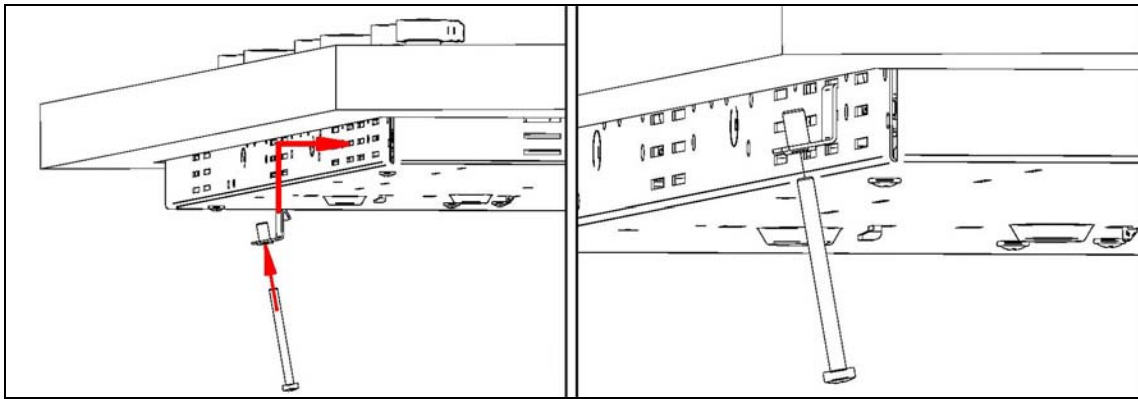


Fig. 3A

Fig. 3B

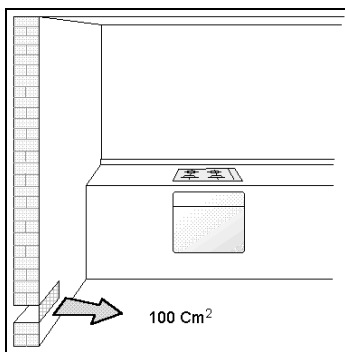


Fig.4

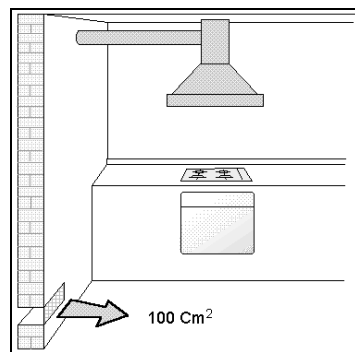


Fig.5A

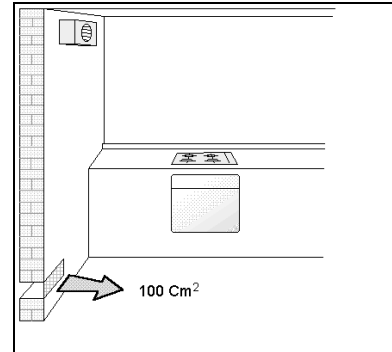


Fig.5B

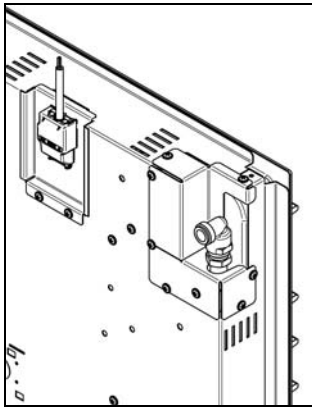


Fig.6

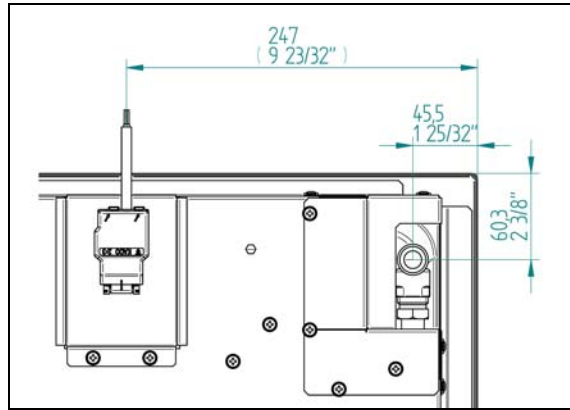


Fig.7

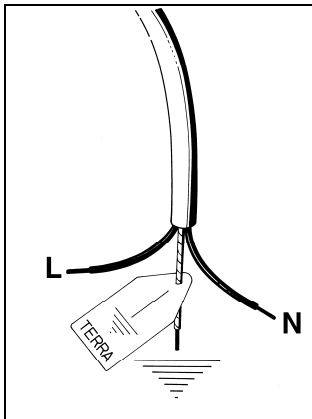


Fig.8

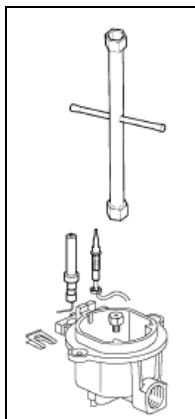


Fig.9

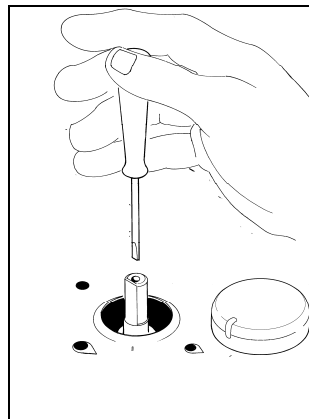


Fig.10

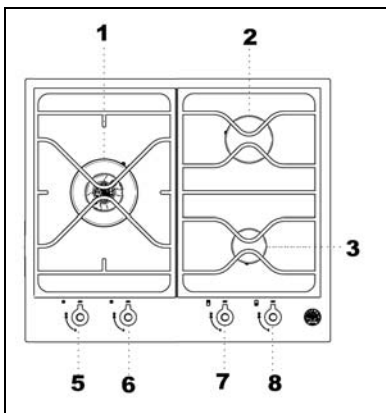


Fig.11

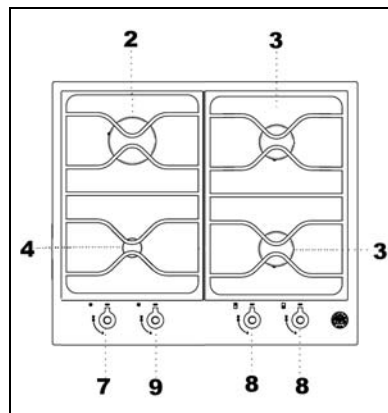


Fig.12

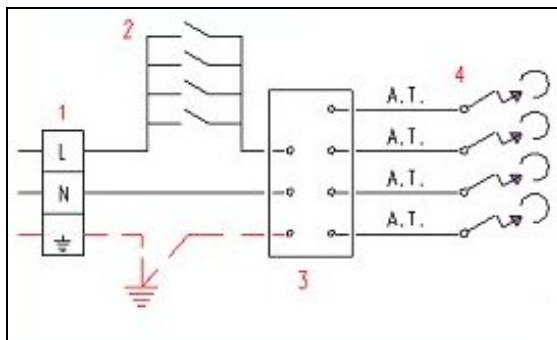


Fig.13

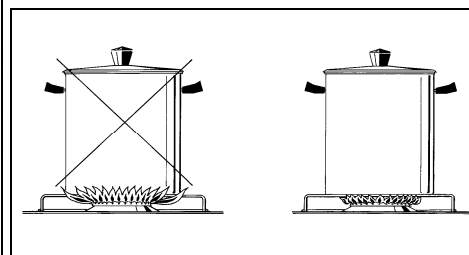


Fig.14



BERTAZZONI S.p.a. Via Palazzina 8, 42016 Guastalla, Italia

Free Manuals Download Website

<http://myh66.com>

<http://usermanuals.us>

<http://www.somanuals.com>

<http://www.4manuals.cc>

<http://www.manual-lib.com>

<http://www.404manual.com>

<http://www.luxmanual.com>

<http://aubethermostatmanual.com>

Golf course search by state

<http://golfingnear.com>

Email search by domain

<http://emailbydomain.com>

Auto manuals search

<http://auto.somanuals.com>

TV manuals search

<http://tv.somanuals.com>