

# BERTAZZONI PROFESSIONAL SERIES

## 30" DOUBLE OVEN FD30 PRO XE



The Bertazzoni traditions of engineering excellence, culinary expertise and Italian design come alive in the Professional Series wall ovens. The exceptional, energy-conscious performance of the Bertazzoni Professional Series wall ovens is enhanced by the intuitive and easy-to-use interface operated with ergonomic knobs and touch controls. With 10 functions, 7 shelf positions the new Bertazzoni wall oven is the perfect partner for the ultimate user experience in your kitchen.

### LCD TOUCH INTERFACE

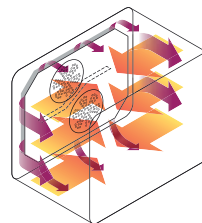


The intuitive interface with touch controls and knobs with a clear graphic display turns the oven into the perfect partner to your cooking skills.

### DUAL DIAGONAL CONVECTION



Two large-blade fans positioned on the diagonal axis, a baffle and subsidiary air vents at the top and bottom of the oven cavity provide balanced airflow and even heat distribution.



### HANDLE SOLUTION



Operate the soft-motion quadruple-glass door with the ergonomic steel PRO handle.



TO COOK BEAUTIFULLY

Download from [Www.Somanuals.com](http://www.Somanuals.com). All Manuals Search And Download.

# BERTAZZONI PROFESSIONAL SERIES

## 30" DOUBLE OVEN FD30 PRO XE

### FUNCTIONS



CONVECTION



BROILER



CONVECTION BROILER



CONVECTION BAKE



WARMING/  
SABBATH MODE



BAKE



TURBO



DEHYDRATION/  
DEFROSTING



PROOFING



SELF CLEAN

### FEATURES

<b>Interface</b>	high resolution LCD display
<b>Controls</b>	knobs & touch
<b>Door Hinge</b>	soft motion
<b>Handle</b>	solid metal
<b>Oven Door</b>	quadruple glass
<b>Food probe</b>	-
<b>Assistant</b>	-
<b>Self-Clean</b>	standard and eco
<b>Rack level per cavity</b>	7
<b>Convection System</b>	dual diagonal fans
<b>Convection powered cavities</b>	2
<b>Telescopic slide out shelf</b>	2
<b>Steel Racks</b>	2

### ACCESSORIES

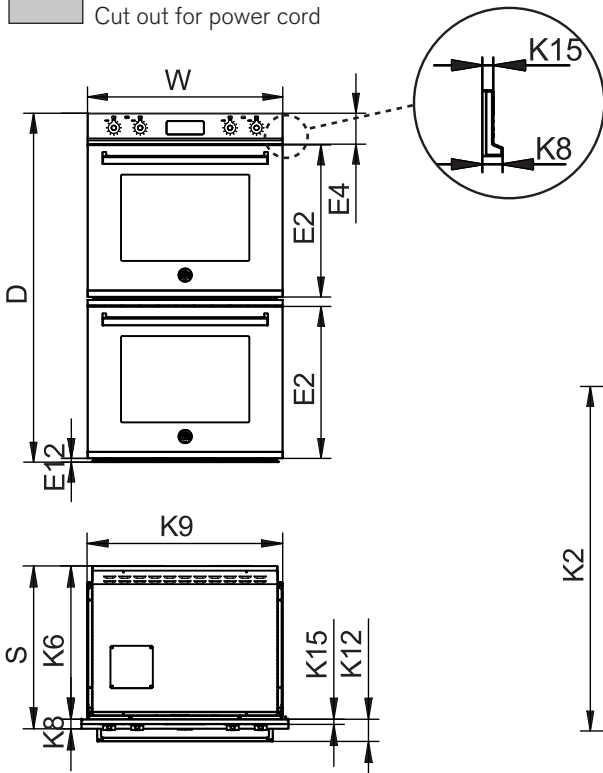
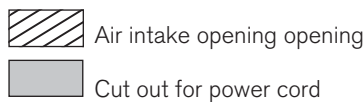
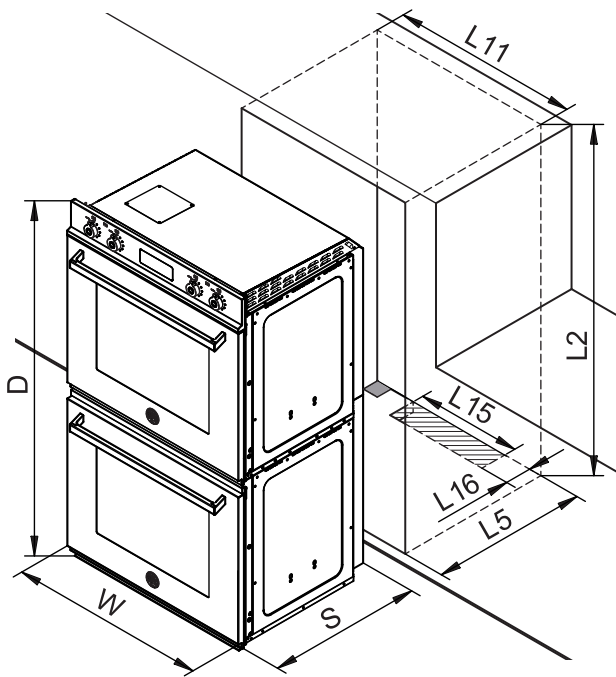
<b>Telescopic glide shelf - 1 unit</b>	code 901267
--	-------------

### TECHNICAL SPECIFICATIONS

<b>Fuel</b>	electric 208-240 V/60Hz
<b>Functions</b>	10
<b>Oven volume</b>	4.1ft <sup>3</sup>
<b>Bake element</b>	2100W
<b>Broil element</b>	3400W
<b>Convection element</b>	2x1650W
<b>Max Amp Usage</b>	50 A
<b>Oven cavity HxWxD</b>	17" <sup>3</sup> / <sub>4</sub> x 24" <sup>1</sup> / <sub>2</sub> x 16" <sup>3</sup> / <sub>4</sub>
<b>Power rating</b>	11000W
<b>Product weight</b>	385 lbs
<b>Box weight</b>	430 lbs
<b>Certification</b>	CSA
<b>Warranty</b>	2 years parts and labor

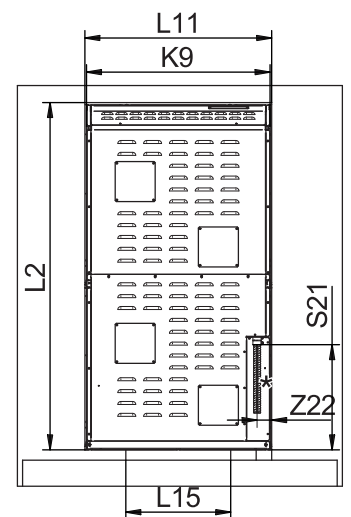
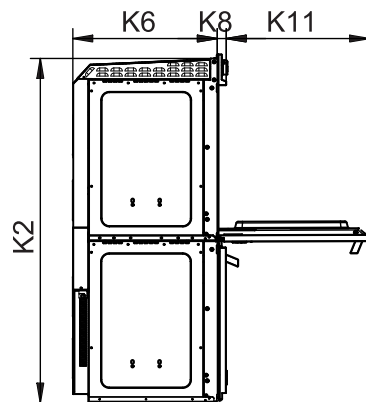
# BERTAZZONI PROFESSIONAL SERIES

## 30" DOUBLE OVEN FD30 PRO XE



### DIMENSIONS

Ref.	Description	Dimensions	
		Inches	mm
D	Oven height	53 1/4	1353
E2	Door height	23 1/4	590
E4	Control panel height	4 3/4	120
E12	Interior gap for door opening	5/8	15
K2	Chassis height	52 5/8	1337
K6	Chassis depth	22 1/16	560
K8	Max control panel depth	1 7/16	37
K9	Chassis width	28 1/8	715
K11	Open door dimension	22	556
K12	Frontal panel + handle dimension	3 1/4	83
K15	Min control panel depth	13/16	20
L2	Cabinet cut out height	53	1346
L5	Cabinet depth	23 5/8	600
L11	Cabinet cut out width	28 1/2	724
L15	Air intake opening width	16	406
L16	Air intake opening depth	4	102
S	Oven depth	23 1/2	585
S21	Adjustable vertical exit	16 1/8	410
W	Oven width	29 13/16	758
Z22	Adjustable horizontal exit	2 5/16	58



\* Metal conduit length: 47" 1/4

### INSTALLATION INSTRUCTIONS

Bertazzoni recommends to operate the appliance after it has been installed in a cabinet.

The kitchen cabinets shall be made of materials capable of withstanding temperatures at least 117°F (65°C) above room temperature in order to avoid possible damage to the cabinets during oven usage. The appliance must be installed into cabinetry and be supported from underneath. The air intake opening at the bottom of the door must be left unobstructed.

For a flush mount installation the surrounding cabinets doors should have the same thickness as the oven control panel (13/16" for all PRO models).



**TO COOK BEAUTIFULLY**

## Free Manuals Download Website

<http://myh66.com>

<http://usermanuals.us>

<http://www.somanuals.com>

<http://www.4manuals.cc>

<http://www.manual-lib.com>

<http://www.404manual.com>

<http://www.luxmanual.com>

<http://aubethermostatmanual.com>

Golf course search by state

<http://golfingnear.com>

Email search by domain

<http://emailbydomain.com>

Auto manuals search

<http://auto.somanuals.com>

TV manuals search

<http://tv.somanuals.com>