

2 OPTIONAL ACCESSORIES

**SHREDDER KIT
P/N 890209.**

Shreds leaves, reducing total volume.

**ON BOARD VACUUM
HOSE KIT**

P/N 890041. 4"(102mm) X 7' (2.13m)
For vacuuming in hard to reach areas.

**NOZZLE WEAR PLATES
P/N 890413.**

*(STD. ON KD512HCS)
Extends nozzle life when used along curbs and hard surfaces.*

OPTIONAL DEBRIS BAGS

**STANDARD TURF PRO
DEBRIS BAG
P/N 890028.**

For use in leaves and grass in non-dusty conditions.

**DEBRIS BAG COVER
P/N 900801**

Directs dust downward away from operator.

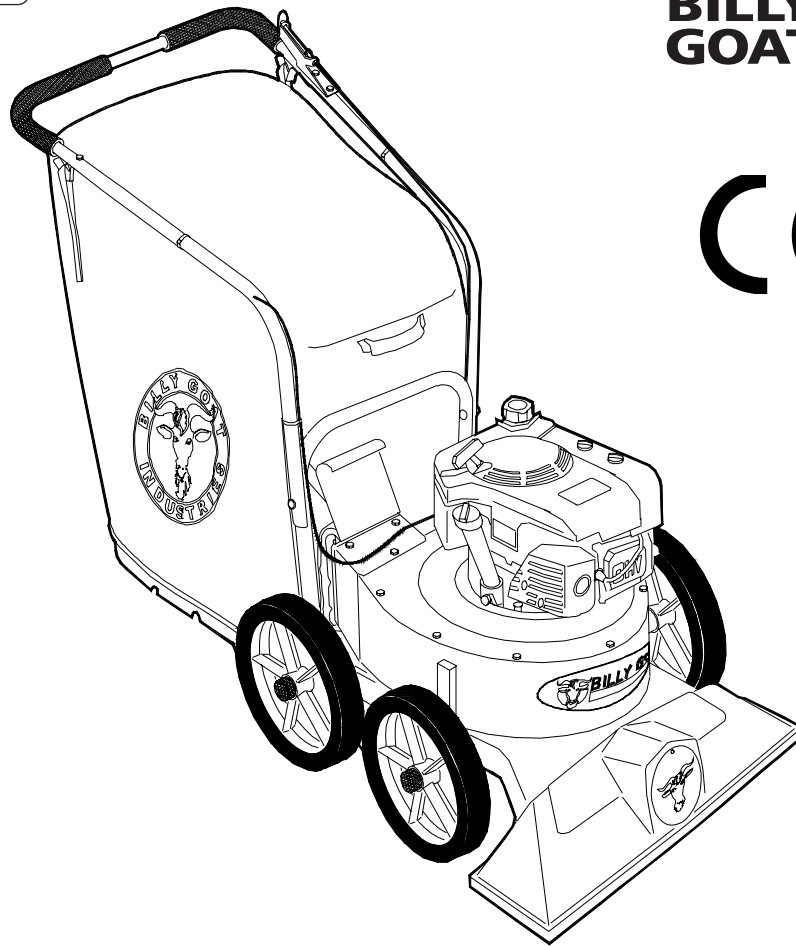
**ZIPPERLESS QUICK BAG
P/N 890309**

For non dusty conditions that are damaging to zippers.

**CASTER KIT
P/N 890412**

For use on hard surface

1



*Thank You for Selecting
The Powerful KD VACUUM*

Operator Owner's Manual

KD512, KD512HC, KD512HCS

3

Specifications

	KD512	KD512HC	KD512HCS
ENGINE: H.P.	5.0 (3.73 kW)	5.5 (4.11 kW)	5.5 (4.11 kW)
ENGINE: TYPE	B&S QUANTUM	HONDA OHC	HONDA OHC
ENGINE: FUEL CAP	1.5qt. (1.4 L)	1.16qt. (1.1 L)	1.16qt. (1.1 L)
ENGINE: OIL CAP	0.63qt. (0.6 L)	0.58qt. (0.6 L)	0.58qt. (0.6 L)
WEIGHT: UNIT	98# (44.5 kg)	99# (45.0 kg)	116# (52.6 kg)
WEIGHT: SHIPPING	120# (54.4kg)	124# (56.0 kg)	138# (63.0 kg)
WEIGHT: ENGINE	24.38# (11.05 kg)	22# (10.0 kg)	22# (10.0 kg)

UNIT SIZE: OVERALL LENGTH: 62"(1.57m) OVERALL WIDTH 26.75" (0.68m) OVERALL HEIGHT 42" (1.07m)

5

IN THE INTEREST OF SAFETY



BEFORE STARTING ENGINE, READ AND UNDERSTAND THE "ENTIRE OPERATOR'S MANUAL & ENGINE MANUAL."



THIS SYMBOL MEANS WARNING OR CAUTION. DEATH, PERSONAL INJURY AND/OR PROPERTY DAMAGE MAY OCCUR UNLESS INSTRUCTIONS ARE FOLLOWED CAREFULLY.



WARNING: The Engine Exhaust from this product contains chemicals known to the State of California to cause cancer, birth defects or other reproductive harm.

WARNING: DO NOT

1. **DO NOT** run engine in an enclosed area. Exhaust gases contain carbon monoxide, an odorless and deadly poison.

2. **DO NOT** place hands or feet near moving or rotating parts.

3. **DO NOT** store, spill or use gasoline near an open flame, or devices such as a stove, furnace, or water heater which use a pilot light or devices which can create a spark.

4. **DO NOT** refuel indoors where area is not well ventilated. Outdoor refueling is recommended.

5. **DO NOT** fill fuel tank while engine is running. Allow engine to cool for 2 minutes before refueling. Store fuel in approved safety containers.

6. **DO NOT** remove fuel tank cap while engine is running.

7. **DO NOT** operate engine when smell of gasoline is present or other explosive conditions exist.

8. **DO NOT** operate engine if gasoline is spilled. Move machine away from the spill and avoid creating any ignition until the gasoline has evaporated.

9. **DO NOT** transport unit with fuel in tank.

10. **DO NOT** smoke when filling fuel tank.

11. **DO NOT** choke carburetor to stop engine. Whenever possible, gradually reduce engine speed before stopping.

12. **DO NOT** run engine at excessive speeds. This may result in injury & /or damage to unit.

13. **DO NOT** tamper with governor springs, governor links or other parts which may change the governed engine speed.

14. **DO NOT** tamper with the engine speed selected by the engine manufacturer.

15. **DO NOT** check for spark with spark plug or spark plug wire removed. Use an approved tester.

16. **DO NOT** crank engine with spark plug removed. If engine is flooded, place throttle in "FAST" position and crank until engine starts.

17. **DO NOT** strike flywheel with a hard object or metal tool as this may cause flywheel to shatter in operation. Use proper tools to service engine.

18. **DO NOT** operate engine without a muffler. Inspect periodically and replace, if necessary. If engine is equipped with muffler deflector, inspect periodically and replace, if necessary, with correct deflector.

19. **DO NOT** operate engine with an accumulation of grass, leaves, dirt or other combustible material in the muffler area.

20. **DO NOT** use this engine on any forest covered, brush covered, or grass covered unimproved land unless a spark arrester is installed on the muffler. The arrester must be maintained in effective working order by the operator. In the State of California the above is required by law (Section 4442 of the California Public Resources Code). Other states may have similar laws. Federal laws apply on federal lands.

21. **DO NOT** touch hot muffler, cylinder, or fins because contact may cause burns.

22. **DO NOT** run engine without air cleaner or air cleaner cover.

23. **DO NOT** operate during excessive vibration!

24. **DO NOT** leave machine unattended while in operation.

25. **DO NOT** park machine on a steep grade or slope.

WARNING: DO



1. **ALWAYS DO** remove the wire from the spark plug when servicing the engine or equipment TO PREVENT ACCIDENTAL STARTING.

2. **DO** keep cylinder fins and governor parts free of grass and other debris which can affect engine speed.

3. **DO** pull starter cord slowly until resistance is felt. Then pull cord rapidly to avoid kickback and prevent hand or arm injury.

4. **DO** examine muffler periodically to be sure it is functioning effectively. A worn or leaking muffler should be repaired or replaced as necessary.

5. **DO** use fresh gasoline. Stale fuel can gum carburetor and cause leakage.

6. **DO** check fuel lines and fittings frequently for cracks or leaks. Replace if necessary

7. **Follow** engine manufacturer operating and maintenance instructions.

8. **Inspect** machine and work area before starting unit.



6 TABLE OF CONTENTS

SAFETY INSTRUCTIONS	2
GENERAL SAFETY	3
ASSEMBLY	3
PARTS BAG & CONTROLS	4
LABELS	4
OPERATION	5 - 7
MAINTENANCE	8 - 9
PARTS DRAWING & LIST	10 - 12
TROUBLESHOOTING	12
WARRANTY PROCEDURE	

Part No. 890033

7

SOUND

Sound tests conducted were in accordance with 2000/14/EEC and were performed on 2/21/2002 under the conditions listed:

NOTE: Sound power level listed is the highest value for any model in this manual. Please refer to serial plate on the unit for the sound power level for your model.

Sound level of 97 dBA at operator position



111 dBA

(KD512 MODEL)

GENERAL CONDITION:	Sunny
TEMPERATURE:	45° F (7.2° C)
WIND SPEED:	5 MPH (8.1 kmh)
WIND DIRECTION:	South West
HUMIDITY:	60 %
BAROMETRIC PRESSURE:	30.18" Hg (767mm Hg)

OPERATOR

Page 2 of 8

8

VIBRATION

VIBRATION LEVELS 1.5g

Vibration levels at the operators handles were measured in the vertical, lateral, and longitudinal directions using calibrated vibration test equipment. Tests were performed on 05/19/95 under the conditions listed:

GENERAL CONDITION:	Sunny
TEMPERATURE:	62° F (16.7° C)
WIND SPEED:	5 MPH (8.0 kmh)
WIND DIRECTION:	South
HUMIDITY:	67 %
BAROMETRIC PRESSURE:	30.06" Hg (764mm Hg)

Form No. F042805A

GENERAL SAFETY

For your safety and the safety of others, these directions should be followed:



Do not operate this machine without first reading owner's manual and engine manufacturer's manual.



Use of Ear Protection is recommended while operating this machine.



Use of Eye and Breathing protection is recommended when using this machine, especially in dry and dusty conditions. Optional bag cover directs dust toward ground, away from the operator.

•DO NOT place hands or feet inside nozzle intake opening, near debris outlet or near any moving parts.

•DO NOT start engine without debris bag and quick disconnect connected firmly in place to exhaust outlet.

•DO NOT start or operate machine with debris bag zipper open.

•DO NOT operate during excessive vibration.

•DO NOT remove bag until engine has been turned off and has come to a complete stop.

•DO NOT remove hose kit cap on nozzle until engine has been turned off and has come to a complete stop.

•DO NOT operate machine with hose cap, bag or hose removed.

•DO NOT use this machine for vacuuming **exclusively** sand, dust, fine dirt, rock, glass, string like material, grain, rags, cans, metal, bark or water.

•DO NOT operate this machine on slopes greater than 20%.

•DO NOT pick up any hot or burning debris, or any toxic or explosive material.

•DO NOT allow children to operate this equipment.

10 ASSEMBLY



Read all safety and operating instructions before assembling or starting this unit.



PUT OIL IN ENGINE BEFORE STARTING

1. **ASSEMBLE** Lift upper handle (item 6), remove items 8, 30, & 32 from lower handle (item 27). Attach and secure upper handle as shown using same hardware.

2. **UNFOLD** the debris bag (item 1) and fasten bag neck to bag quick disconnect (item 64). Attach firmly to housing exhaust (item 52) see fig. 2.

3. **ATTACH** bag hanger strap to bag supports (item 11), preassembled to upper handle.

4. **CONNECT** spark plug wire.

Your Billy Goat is shipped from the factory in one carton, completely assembled except for the upper handle, debris bag, and bag quick disconnect.

11 PACKING CHECKLIST

These items should be included in your carton. If any of these parts are missing, contact your dealer.

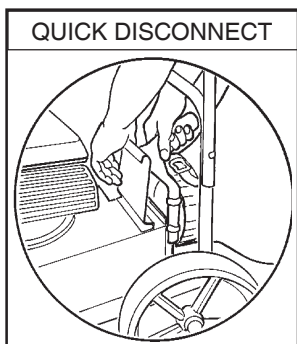
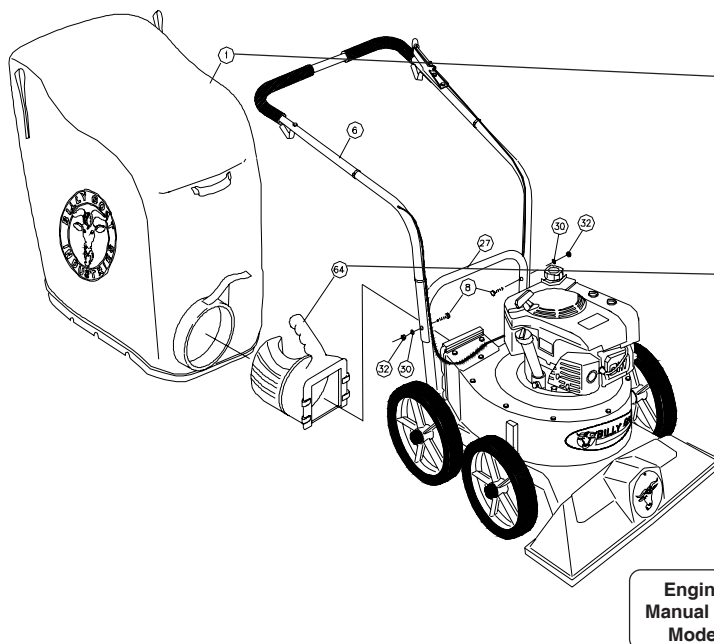


Fig. 2



Check <input type="checkbox"/>	Debris Bag 890022 KD
Check <input type="checkbox"/>	Literature Assy 890392
Check <input type="checkbox"/>	Connector Quick Disconnect 890176
<i>Per Model</i>	
Check <input type="checkbox"/>	Briggs & Stratton 5.0 H.P.
Check <input type="checkbox"/>	Honda 5.5 GCV 160

Engine
Manual Per
Model

12 LITERATURE ASSY

P/N 890392

Owner's Manual

Literature Check-list

Check **Owner's Manual 890033**

Literature KD Accessories

Check **Literature KD Accessories 890409**

Warranty Card

Check **Warranty Card 400972**

EU Declaration of Conformity & EU Distributor List

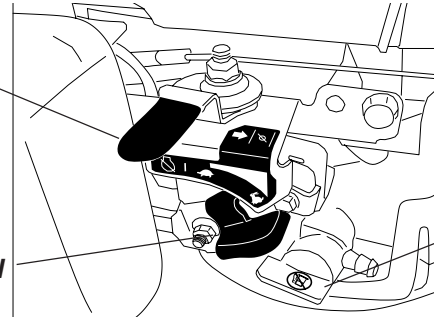
Check **EU Declaration of Conformity & EU Distributor List 890393**

13 CONTROLS

KD512HC/KD512HCS MODELS

Choke Control

Throttle Control

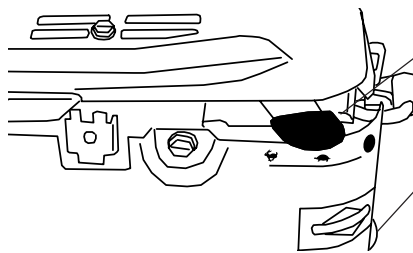


Fuel Shut Off

KD512 MODEL

Throttle Control

Choke Control



Briggs engines have a primer button carburetor rather than choke type carburetor.

14 INSTRUCTION LABELS

These labels should be included on your Vacuum. If any of these labels are damaged, replace them before putting this equipment into operation. Item and part numbers are given to help in ordering replacement labels..



*Label Do Not Fill While Engine Is Hot
Item 63 Part No.400268*



*Label Danger Keep Hands and Feet Away
Item 29 Part No.400424*



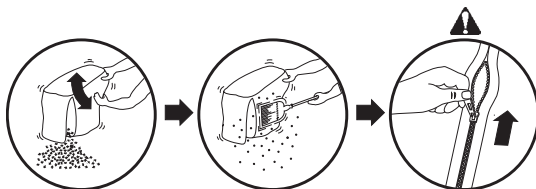
*Label Ear Eye Breathing
Item No. 86 Part No. 890254*



*Label Danger Flying Material
Item 62 Part No.810736*



*Label Read Owner's Manual Item 84
Part No.890301*



*Debris Bag
Label item 1*

15 ENGINE LABELS

Honda

■ READ OWNER'S MANUAL BEFORE OPERATION.
 ■ LIRE LE MANUEL D'UTILISATEUR AVANT USAGE.
 ■ VOR INBETRIEBNAHME UNBEDINGHT BEDIENUNGSANLEITUNG DURCHLESEN.
 ■ NO UTILIZAR SINANTES NO HABER LEIDO EL MANUAL
 HONDA MOTOR CO., LTD. MADE IN JAPAN

Briggs & Stratton

WARNING

	Read and follow Operating Instructions before running engine.
	Gasoline is flammable. Allow engine to cool at least 2 minutes before fueling.
	Engines emit carbon monoxide, DO NOT run in enclosed area.

Read Owner's Manual Before Operating.
 Lire le manuel d'utilisation avant la mise en route.
 Vor Inbetriebnahme Bedienungs- und Wartungsanleitung lesen.
 Favor leer las instrucciones de operacion antes de operar el motor.
 Consultare il Manuale Uso e Manutenzione prima dell'utilizzo.
 Las Skotseinstruktionen Innan Start.

INTENDED USE: This machine is designed for vacuuming leaves, grass clippings and other types of organic litter and for chipping brush, limbs, corn and sunflower stalks and palm fronds.

Debris mixed with cans, bottles and small amounts of sand can be vacuumed; however, it is not this machine's primary purpose. Vacuuming cans, bottles and sand will affect the longevity of your machine.

Do not operate if excessive vibration occurs. If excessive vibration occurs, shut engine off immediately and check for damaged or worn impeller, loose impeller bolt, loose impeller key, loose engine or lodged foreign objects. Note: See parts list for proper impeller bolt torque specifications. (See trouble shooting section on page 12).



Like all mechanical tools, reasonable care must be used when operating machine.

Inspect machine work area and machine before operating. Make sure that all operators of this equipment are trained in general machine use and safety.



PUT OIL IN ENGINE BEFORE STARTING.

16.1 STARTING



ENGINE: See engine manufacturer's instructions for type and amount of oil and gasoline used.

Engine must be level when checking and filling oil and gasoline.

ENGINE SPEED: Controlled by throttle lever on the engine. Under normal conditions, operate at minimum throttle to accomplish your current cleaning task.

FUEL VALVE: Move fuel valve to "ON" position (when provided on engine).

CHOKE: Operated with throttle control (Honda only).

PRIMER: Push primer per engine instructions (B&S only).

THROTTLE: Move remote throttle control to fast position. Pull starting rope to start engine.

IF YOUR UNIT FAILS TO START:

See Troubleshooting on page 12.

16.2 VACUUMING OPERATION

VACUUM NOZZLE HEIGHT ADJUSTMENT: is raised and lowered by pulling slightly upward on handle and pulling height adjust rod (item 23) up at left rear of machine.

FOR MAXIMUM PICKUP: Adjust nozzle close to debris, but without blocking airflow into the nozzle. *NOTE:* Never bury nozzle into debris.

CLEARING A CLOGGED NOZZLE



& EXHAUST: Turn engine off and wait for impeller to stop completely and disconnect spark plug wire.



Wearing durable gloves, remove clog. **Danger**, the clog may contain sharp materials. Reconnect spark plug wire.

16.3 HANDLING & TRANSPORTING:

Using two people to lift machine is recommended. Lift holding the handle and front of nozzle. Secure in place during transport.

16.4 DEBRIS BAG

Debris bags are normal replaceable wear items.



Note: Frequently empty debris to prevent bag overloading with more weight than you can lift.

An optional bag and dust cover is available for use where debris will be vacuumed in dusty conditions (see **Optional Accessories shown on page 1**).

DO NOT place bag on or near hot surface, such as engine. Run engine at 1/2 throttle for first 1/2 hour to condition new bag. Your new bag requires a break-in period to condition the pores of the material against premature blockage. The entire bag surface serves as a filter, and must be able to breath to have good vacuum performance.

Be sure engine has come to a complete stop before removing or emptying bag.

This vacuum is designed for picking up trash, organic material and other similar debris (see Safety Warnings page 2-3). However, many vacuums are used where dust is mixed with trash. Your unit can intermittently vacuum in dusty areas. Dust is the greatest cause of lost vacuum performance. However, following these rules will help maintain your machine's ability to vacuum in dusty conditions:

- Run machine at idle to quarter throttle.
- The debris bag must be cleaned more frequently. A vacuum with a clean, pillow soft bag will have good pickup performance. One with a dirty, tight bag will have poor pickup performance. If dirty, empty debris and vigorously shake bag free of dust.
- Pressure-wash debris bag if normal cleaning does not fully clean bag. Bag should be thoroughly dry before use.

NOTE: Having one or more spare debris bags is a good way to reduce down time while dirty bags are being cleaned.

DO NOT leave debris in bag while in storage.

16.5 STORAGE



Never store engine indoors or in enclosed poorly ventilated areas with fuel in tank, where fuel fumes may reach an open flame, spark or pilot light, as on a furnace, water heater, clothes dryer or other gas appliance.

If engine is to be unused for 30 days or more, prepare as follows:

Be sure engine is cool. Do not smoke. Remove all gasoline from carburetor and fuel tank to prevent gum deposits from forming on these parts and causing possible malfunction of engine. Drain fuel outdoors, into an approved container, away from open flame. Run engine until fuel tank is empty and engine runs out of gasoline.

NOTE: Fuel stabilizer (such as Sta-Bil) is an acceptable alternative in minimizing the formation of fuel gum deposits during storage. Add stabilizer to gasoline in fuel tank or storage container. Always follow mix ratio found on stabilizer container. Run engine at least 10 min. after adding stabilizer to allow it to reach the carburetor.

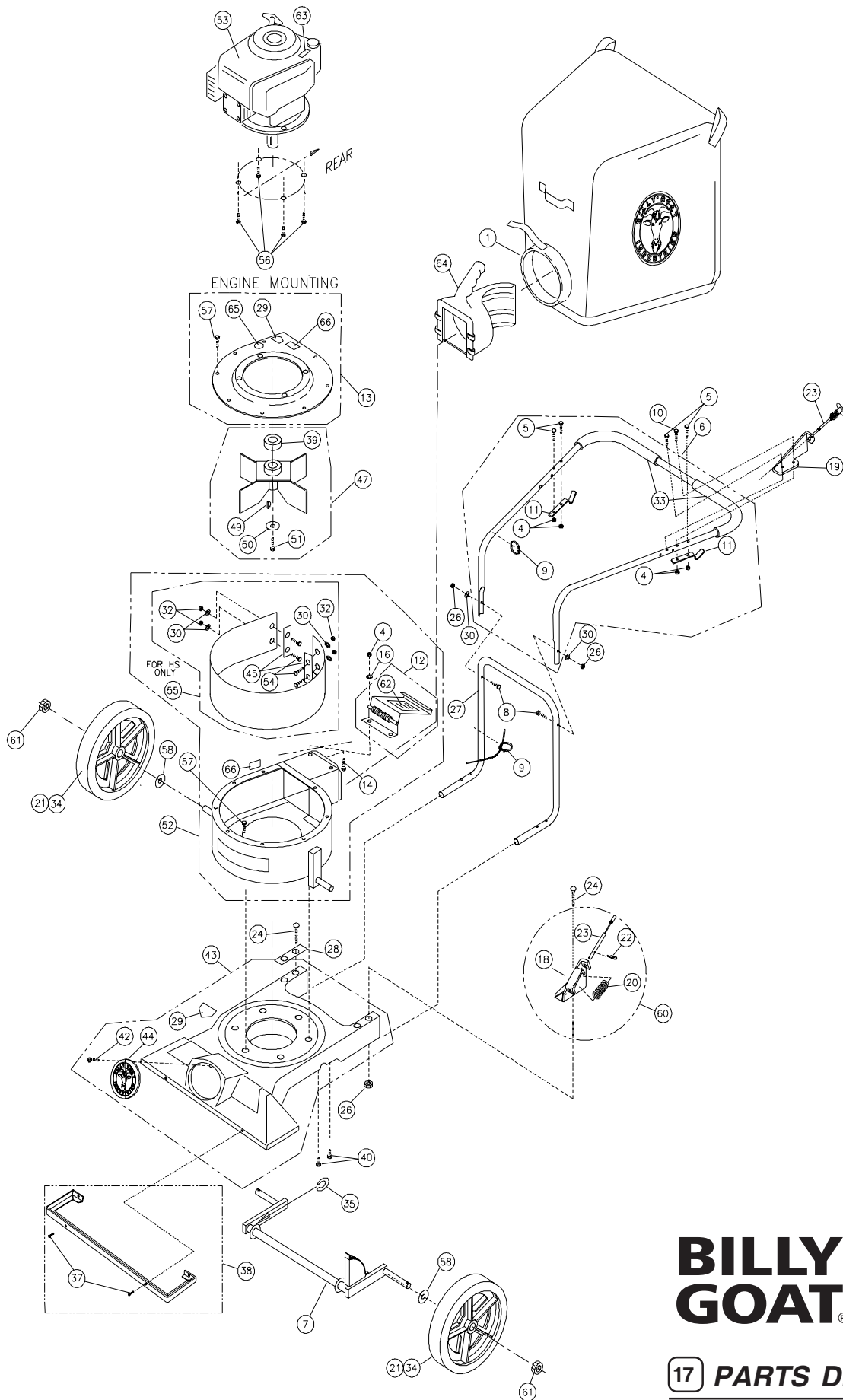


Do not store with debris in bag.

16.6 COMPOST

Vacuumed leaves, grass and other organic material from your own yard can be emptied into a pile or composter to provide enriched soil for later use as fertilizer in gardens and flower beds (see fig. 3).

NOTE: Allow green chips to dry before spreading around living plants.



17 PARTS DRAWING

**KD512, KD512HC,
KD512HCS**

18

* Denotes standard hardware item that may be purchased locally.

ITEM NO.	DESCRIPTION	KD512 Part No.	QTY	KD512HC Part No.	QTY	KD512HCS Part No.	QTY
1	PRO DEBRIS BAG (service)	890305	1	890023	1	890023	1
2							
3							
4	NUT LOCK (1/4 - 20)	*8160001	5	*8160001	5	*8160001	5
5	SCREW CAP (1/4 - 20 x 1-1/2 HEX)	*8041008	4	*8041008	4	*8041008	4
6	HANDLE ASS'Y (incl. items 4(5),5(5),11(2),75(2),76)	900054	1	900054	1	900054	1
7	AXLE HEIGHT ADJUST	890389	1	890389	1	890389	1
8	SCREW HANDLE 5/16 - 18 x 1 - 3/4	*8041031	2	*8041031	2	*8041031	2
9	CLAMP CABLE	900407	2	900407	2	900407	2
10	SCREW CAP 1/4 - 20 x 1 3/4	*8041009	1	*8041009	1	*8041009	1
11	BAR BAG SUPPORT	900039	2	900039	2	900039	2
12	DOOR EXHAUST ASS'Y (incl. item 62)	890148	1	890148	1	890148	1
13	PLATE TOP ASS'Y (incl. items 29, 57, 65)	890402	1	890402	1	890402	1
14	BOLT-CARRIAGE 1/4x3/4	*8024021	2	*8024021	2	*8024021	2
15							
16	WASHER 1/4 FC ZP	*8171002	2	*8171002	2	*8171002	2
17							
18	BRACKET - HEIGHT ADJUSTMENT	890021	1	890021	1	890021	1
19	PLATE UPPER HEIGHT ADJUST	890005	1	890005	1	890005	1
20	SPRING	900136	1	900136	1	900136	1
21	TIRE - ONLY (PER ASSY)	900507	1	900507	1	900507	1
22	PIN - HAIR COTTER	900471	1	900471	1	900471	1
23	CABLE HEIGHT ADJUSTMENT	890019	1	890019	1	890019	1
24	BOLT - CARRIAGE 5/16 - 18 x 4 1/2	*8024054	6	*8024054	6	*8024054	6
25							
26	NUT LOCK 5/16 - 18 HEX	*8160002	4	*8160002	4	*8160002	8
27	HANDLE LOWER KD510	890346	1	890346	1	890346	1
28	PLATE HANDLE SUPPORT	900933	1	900933	1	900933	3
29	LABEL DANGER CUT FINGER	400424	2	400424	2	400424	2
30	WASHER FLAT CUT 5/16	*8171003	2	*8171003	2	*8171003	6
31							
32	NUT LOCK 5/16 - 18 THIN HT.					*8161041	4
33	GRIP HANDLE			400570	2	400570	2
34	WHEEL ASS'Y (incl. items 21)	900509	4	900509	4	900509	4
35	WASHER 0.75 "C"	900997	0 -1	900997	0 -1	900997	0 -1
36							
37	SCREW SM 1/4x3/4 TYPE A	-	-	-	-	*8122082	4
38	PLATE SKID (incl. items 54)	-	-	-	-	890413	1
39	SPACER IMPELLER	-	-	890616	1	890616	1
40	SCREW CAP 1/4 - 20 x 1 - 1/4	*8041007	4	*8041007	4	*8041007	4
41							
42	SCREW SELF TAPPING 10 - 24 x 1/2	*8123086	1	*8123086	1	*8123086	1
43	NOZZLE MAINFRAME ASS'Y (incl. one of items 29,44,42)	890391	1	890391	1	890391	1
44	PLUG	900146	1	900146	1	900146	1
45	LINER HOLD PLATE	890618	2	890618	2	890618	2
46		-	-	-	-		
47	IMPELLER ASS'Y (incl. items 49, 50, 51)	900215	1	890615	1	890615	1
48							
49	KEY	900162	2	900162	2	900162	2
50	WASHER LOCK 3/8 TWISTED TOOTH	400502	1	400502	1	400502	1
51	SCREW CAP 3/8 -24 x 1 GR 8 (TORQ.50 FT-LBS)(68N.m)	900154	1	900154	1	900154	1
52	HOUSING ASS'Y (incl. items 12, 14, 15, 16, 66)	890371-S	1	890371-S	1	890417-S	1
53	ENGINE HONDA 5.5 H.P. GC160	-	-	890614	1	890614	1
	ENGINE BRIGGS & STRATTON 5 H.P. QUANTUM IC	890404	1	-	-	-	-
54	BOLT CARRIAGE 5/16-18x3/4"	-	-	-	-	8024039	4
55	LINE PVC	-	-	-	-	900732-S	1
56	SCREW CAP 3/8 - 1-1/2 TAPTITE	890408	4	890408	4	890408	4
57	SCREW CAP 1/4 - 20 x 1/2 HWH	890359	15	890359	15	890359	15
58	WASHER FLAT 1/2 SAE	*8172011	4	*8172011	4	*8172011	4
59	SCREW SOCKET HD. 5/16 - 18 x 3/4 GR. 8						
60	HGT ADJUST ASSY (INCL. ITEMS 18, 20, 22, 23)	890013	1	890013	1	890013	1
61	1/2-13 CAP NUT NP W/PATCH	890530	4	890530	4	890530	4
62	LABEL DANGER FLYING MATERIAL	810736	1	810736	1	810736	1
63	LABEL DO NOT FILL WHEN ENGINE IS HOT	400268	1	400268	1	400268	1
64	CONNECTOR BAG QUICK	890176	1	890176	1	890176	1
65	LABEL READ OWNER'S MANUAL	890301	1	890301	1	890301	1
66	LABEL EAR/EYE BREATHING	890254	1	890254	1	890254	1

MAINTENANCE continued



Use only a qualified mechanic for any adjustments, disassembly or any kind of repair .



WARNING: TO AVOID PERSONAL INJURY, ALWAYS TURN MACHINE OFF, MAKE SURE ALL MOVING PARTS COME TO A COMPLETE STOP.



DISCONNECT SPARK PLUG WIRE BEFORE SERVICING UNIT.



ENGINE: See engine manufacturer operator's instructions.

DEBRIS BAG: See page 5.



RECONNECT SPARK PLUG WIRE, GUARDS, BAG, CAPS AND / OR HOSE BEFORE STARTING ENGINE.

19.1

IMPELLER REMOVAL

- 1.Wait for engine to cool and disconnect spark plug.
- 2.Drain fuel and oil from the engine.
- 3.Remove bag, quick release, and upper handle. Do not kink, stretch, or break control cables, control housings, or end fittings while removing handles.
4. Remove housing top plate by removing bolts around outside of housing.
5. Leaving engine fastened to top plate, turn it upside down so the impeller is on top. 6. Remove impeller bolt and lock washer.

19.1

IMPELLER REMOVAL continued

7. Lift impeller upward. If impeller slides freely, proceed to (step 10).
8. Place two crowbars between impeller and housing on opposite sides. Pry impeller away from engine until it loosens. Using a penetrating oil can help loosen a stuck impeller.
9. If the impeller does not loosen, obtain a 1" (25.4mm) longer bolt of the same diameter and thread type as the impeller bolt. Thread longer bolt by hand into the crankshaft until bolt bottoms. Using a suitable gear or wheel puller against the bolt head and the impeller back-plate (near the blades), remove impeller from shaft.
10. Remove engine mounting screws, bolts, and nuts as required.
11. When impeller is free of the engine shaft, lift impeller and housing assembly off engine. Align impeller with opening, and diagonally lift impeller out of housing.
12. Using a new impeller bolt and lockwasher, reinstall new impeller in reverse order.
13. Tighten impeller bolt. Torque impeller bolt to 50 Ft. Lbs.(68 N.m) (see item 51 on page 7).
14. Reinstall engine onto housing in reverse order of removal.
15. Gas and oil (0.69 quart).
16. Reinstall spark plug wire.

19.2

Maintenance Schedule Follow these hourly maintenance intervals.

Maintenance Operation	Every Use	Every 5 hrs. or (Daily)	Every 25 hrs.
Engine (See Engine Manual)			
Check for excessive vibration		●	
Clean Debris Bag	●		
Check bag strap tightness	●		
Inspect for loose parts		●	
Inspect for worn or damaged parts		●	
Lubricate wheels.			●
Inspect wear on PVC liner (KD511HS model only)			●

20

TROUBLESHOOTING Before Requesting Service Review These Suggestions

Problem	Possible Cause	Solution
Will not vacuum or has poor vacuum performance.	Dirty debris bag. Nozzle height set too high or too low. Hose kit cap missing. Clogged nozzle or exhaust. Excessive quantity of debris.	Clean debris bag. Shake bag clean or wash. Adjust nozzle height. Check for hose kit cap. Unclog nozzle or exhaust (see page 5). Allow air to feed with debris.
Abnormal vibration.	Loose or out of balance impeller or loose engine.	Check impeller and replace if required. Check Engine.
Engine will not start.	Stop switch off. Throttle in off position. Engine not in full choke position. Out of gasoline. Bad or old gasoline. Spark Plug wire disconnected. Dirty air cleaner.	Check stop switches, throttle, choke position and gasoline. Connect spark plug wire. Clean or replace air cleaner. Or contact a qualified service person.
Engine is locked, will not pull over.	Debris locked in impeller. Engine problem.	See page 5, Contact an engine servicing dealer for engine problems.
Nozzle scrapes ground in lowest height setting.	Nozzle height out of adjustment.	Adjust nozzle height. (See Nozzle height fine adjustment for hard surface use on page 5).

22.1

Engine Service and Warranty
Contact your nearest engine manufacturer's authorized servicing dealer.

21

Serial Plate Record your machine model, serial number and date-of-purchase and where purchased

BILLY GOAT INDUSTRIES, INC.

1803 S.W. Jefferson St.
Lee's Summit, MO 64082-2312 / USA
Tel (816) 524-9666 Fax (816) 524-6983

111 dB

Model

Serial No.

Unit(Weight)
 lbs. kg

Engine Power
 kW rpm

Purchase Date _____ Purchased from _____

22

WARRANTY PROCEDURE

Should a Billy Goat Machine fail due to a defect in material and / or workmanship, the owner should make a warranty claim as follows:

- The Machine must be taken to the dealer from whom it was purchased or to an authorized Servicing Billy Goat Dealer.
- The owner must present the remaining half of the Warranty Registration Card, or, if this is not available, the invoice or receipt.
- The Warranty Claim will be completed by the authorized Billy Goat Dealer and submitted to their respective Billy Goat Distributor for their territory. Attention: Service Manager. Any parts replaced under warranty must be tagged and retained for 90 days.
- The distributor service manager will sign off on the claim and submit it to Billy Goat for consideration.
- The Technical Service Department at Billy Goat will study the claim and may request parts to be returned for examination. Billy Goat will notify their conclusions to the distributor service manager from whom the claim was received.
- The decision by the Quality / Service department at Billy Goat to approve or reject a Warranty claim is final and binding.

Note: To process a Warranty Claim, it is necessary to quote the Model & Serial Number which are printed on the Billy Goat Serial Plate (See owner's manual).



BILLY GOAT INDUSTRIES, INC.
1803 S.W. JEFFERSON STREET LEE'S SUMMIT, MO 64082-2312 / USA
PHONE: 816-524-9666 FAX: 816-524-6983 www.billygoat.com

Free Manuals Download Website

<http://myh66.com>

<http://usermanuals.us>

<http://www.somanuals.com>

<http://www.4manuals.cc>

<http://www.manual-lib.com>

<http://www.404manual.com>

<http://www.luxmanual.com>

<http://aubethermostatmanual.com>

Golf course search by state

<http://golfingnear.com>

Email search by domain

<http://emailbydomain.com>

Auto manuals search

<http://auto.somanuals.com>

TV manuals search

<http://tv.somanuals.com>