

**GUARANTEE**

PLEASE KEEP YOUR RECEIPT AS THIS WILL BE REQUIRED FOR ANY CLAIMS UNDER THIS GUARANTEE.

- This product is guaranteed for 3 years.
- In the unlikely event of breakdown, please take it back to the place of purchase, with your till receipt and a copy of this guarantee.
- The rights and benefits under this guarantee are additional to your statutory rights which are not affected by this guarantee.
- Holmes Products Europe undertakes within the specific period, to repair or replace free of charge, any part of the appliance found to be defective provided that:
  - We are promptly informed of the defect.
  - The appliance has not been altered in any way or subjected to misuse or repair by a person other than a person authorised by Holmes Products Europe.
- No rights are given under this guarantee to a person acquiring the appliance second hand or for commercial or communal uses.
- Any repaired or replaced appliance will be guaranteed on these terms for the remaining portion of the guarantee.

THIS PRODUCT IS MANUFACTURED TO COMPLY WITH THE E.E.C. DIRECTIVES 73/23/EEC, 89/336/EEC AND 98/37/EEC.

 **BIONAIRE®**

Holmes Products (Europe) Ltd  
1 Francis Grove  
London SW19 4DT  
England

Fax: +44 (0)20 8947 8272

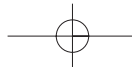
Email: [info-europe@theholmesgroup.com](mailto:info-europe@theholmesgroup.com)

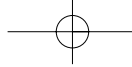
Website address: [www.theholmesgroup.com/europe](http://www.theholmesgroup.com/europe)

UK - Free phone Customer Service Helpline - 0800 052 3615



9100010004571  
BASF40WIUK04EM1





## U.K. and IRELAND

### PLEASE READ AND SAVE THESE IMPORTANT INSTRUCTIONS

When using electrical appliances, basic safety precautions should always be taken including the following:

- Use the fan only for purposes described in the instruction manual.
- To protect against electrical shock, do not immerse the fan, plug or mains cable in water or spray with liquids.
- Close supervision is necessary when any appliance is used by or near children.
- Unplug from the electrical outlet when not in use, when moving the fan from one location to another, before putting on or taking off parts and before cleaning.
- Avoid contact with any moving parts.
- Do not operate in the presence of explosives and/or flammable fumes.
- Do not place the fan or any parts near an open flame, cooking or other heating appliance.
- Do not operate any appliance with a damaged mains cable, plug, after the appliance malfunctions, or has been dropped/damaged in any manner.
- The use of attachments not recommended or sold by the appliance manufacturer may cause hazards.
- Do not let the mains cable hang over the edge of a table or counter, or come into contact with hot surfaces.
- To disconnect from the electrical supply, grip the plug and pull from the wall outlet. DO NOT pull on the mains cable.
- Always use on a dry, level surface.
- Do not operate without the fan grills properly in place.
- This product is intended for household use ONLY and not for commercial or industrial applications.
- Should the appliance stop working, first check the fuse in the plug (UK only) or fuse/circuit breaker at the distribution board is operating, before contacting the manufacturer or service agent.
- If the supply cord or plug is damaged, it must be replaced by the manufacturer or its service agent or a similarly qualified person in order to avoid hazard.
- The appliance contains no user serviceable parts and should the product suffer damage or breakdown it must be returned to the manufacturer or its service agent.

- Do not use outdoors.
- The fan should not be operated without its base fitted.
- The fan should not be operated laying on its side.
- NOTE: Use caution when adjusting the tilt angle of the fan head to ensure that your finger do not get caught

### ASSEMBLY INSTRUCTIONS

Please see pictures on inside back page-(See Fig.1 and 2)

1. Fit the main pole (A) to the base (B). Align the 4 screw holes in the base to the four holes in the main pole (A). Fix securely with the 4 sets of base screws, flat washers, spring washers and nuts.
2. Unscrew the tilt-control screw (D), the tilt-adjustment knob (E) and the pole locking knob (F) around the top of the extension pole (G) and the main pole. Slide the stand base sheath (H) into the main pole (A).
3. Raise the extension pole (G) to its full height. Retighten the pole locking knob (F).
4. Take the fan head assembly (I), then unscrew locking screw (J) and small screw (K). Insert the neck of the fan head assembly onto the pole (G) making sure alignment of lower holes. Ensure the tilt-control screw (D) pass through the square hole and the extension pole (G). Fully tighten the small screw (K) to the right top hole, and tighten the tilt-adjustment knob (E) with tilt-control screw (D) and locking screw (J) to the left top hole.
5. Unscrew the rear grill mounting nut (L) from the housing. Position the rear grill (M) over the motor shaft (N) making certain that the notches (O), 2 at the middle of the rear grill, fit over the corresponding prongs (P) on the motor housing. Please make sure the rear grill fits securely against the motor housing.
6. Secure the rear grill in its place using the rear grill mounting nut (L). Turn this nut clockwise and tighten firmly.
7. Remove the protective sleeve from the motor shaft.
8. Slide the fan blade (Q), with the fixing screw (R) facing towards the rear grill, firmly onto the motor shaft (N), aligning the screw with the flat part on the motor shaft.
9. Position the locking screw (R) over the flat on the motor shaft. Tighten the screw into the side hole of the fan blade, against the motor shaft, until both the blade and screw are secure.
10. Centre the front grill (S) by aligning the Bionaire® logo on the logo plate so that it is horizontal and parallel with the floor. Then,

holding the front grill against the rear grill, hook the top of the grill ring (T) over the top of the rear grill. Gently push the two parts of the grill together until the clips around the grill ring (T) snap into position, holding the grills together. The grill ring must fit evenly around the front and rear grills. If it does not, remove the front grill and check the alignment of the ring on the front grill.

11. Secure the guard using the screw (U), washer (V) and clip (W) by inserting the screw, from the front, through the hole in the bottom of the guard ring. From the back, put the washer and clip, which has a threaded hole, onto the screw, ensuring the clip is the correct way to fit into the recess on the fan ring. Tighten the screw fully but do not overtighten.

### OPERATING INSTRUCTIONS (See fig 1)

1. Set the fan base on a dry level surface.
2. Make sure the Speed Control is in the OFF (0) position. Speed Control (X) is located on the fan motor housing.
3. Plug the cord into a suitable outlet.
4. The SPEED is adjusted by turning the Speed Control (X) to the desired setting:
 

0	- Off
I	- Low
II	- Med
III	- High

### ADJUSTMENT INSTRUCTIONS

#### Tilt adjustment

1. To change the tilting angle of the fan head, simply loosen the tilt-adjustment knob (E).
2. Move the fan head to the desired angle and firmly tighten the tilt-adjustment knob (E) to lock into place.

#### Height adjustment

Follow these instructions to adjust the height of the fan.

1. Turn the pole locking knob (F) anticlockwise to loosen the pole.
2. Adjust the pole (G) to the desired height and firmly tighten the locking knob in a clockwise direction.

#### Oscillation adjustment

The OSCILLATION control (Y) is located on the top of the fan motor housing. To start oscillation, push the control knob down. To stop oscillation, pull the control knob up.

### CLEANING AND MAINTENANCE

- Always unplug the fan before cleaning or disassembly.
- Do not allow water to drip on or into the fan motor housing.

### FAN STORAGE

When storing your fan in the off season, it is important to keep it in a safe dry location. It is important to protect the fan from dust. WE STRONGLY RECOMMEND USING THE ORIGINAL BOX FROM PURCHASE.

### FITTING A REPLACEMENT PLUG FOR U.K. AND IRELAND ONLY

If the plug is not suitable for the socket outlets in your home, it can be removed and replaced by a plug of the correct type. Please refer to "Installation of a plug" below.

**WARNING - THIS APPLIANCE MUST BE EARTHED.**

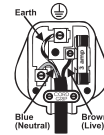
The wires in the mains lead are coloured as such:  
 GREEN AND YELLOW - EARTH  
 BROWN - LIVE  
 BLUE - NEUTRAL

Please note that the colour of these mains wires may not correspond with the colour markings that identify the terminals in your plug.

Please proceed as follows:

The wire which is coloured GREEN AND YELLOW must be connected to the terminal which is marked with the letter 'E' or by the earth symbol ⊕ or coloured GREEN AND YELLOW. The BROWN coloured wire must be connected to the terminal, which is marked with the letter 'L' or is coloured RED.

The BLUE coloured wire must be connected to the terminal, which is marked with the letter 'N' or is coloured BLACK.



**NOTE:** If the terminals in the plug are not marked or if you are unsure or in doubt about the installation of the plug please contact a qualified electrician. If a 13A 3-pin plug is fitted, it must be an ASTA approved plug, conforming to BS1363 standard. Replacement 3A fuses must be BSI or ASTA BS1362 approved.

## BASF40W

Figure 1

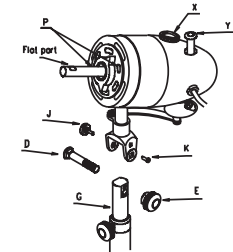
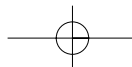
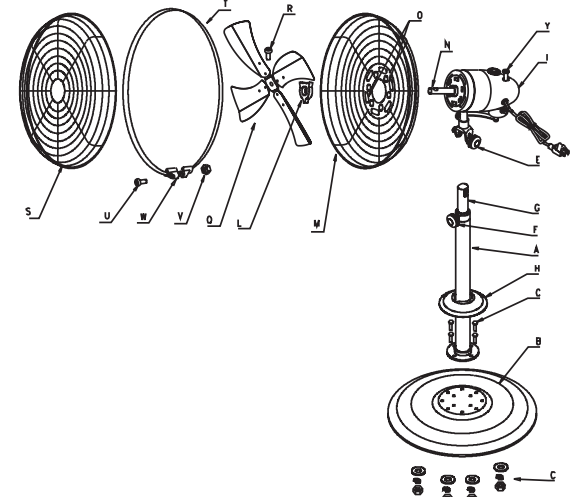


Figure 2



## Free Manuals Download Website

<http://myh66.com>

<http://usermanuals.us>

<http://www.somanuals.com>

<http://www.4manuals.cc>

<http://www.manual-lib.com>

<http://www.404manual.com>

<http://www.luxmanual.com>

<http://aubethermostatmanual.com>

Golf course search by state

<http://golfingnear.com>

Email search by domain

<http://emailbydomain.com>

Auto manuals search

<http://auto.somanuals.com>

TV manuals search

<http://tv.somanuals.com>