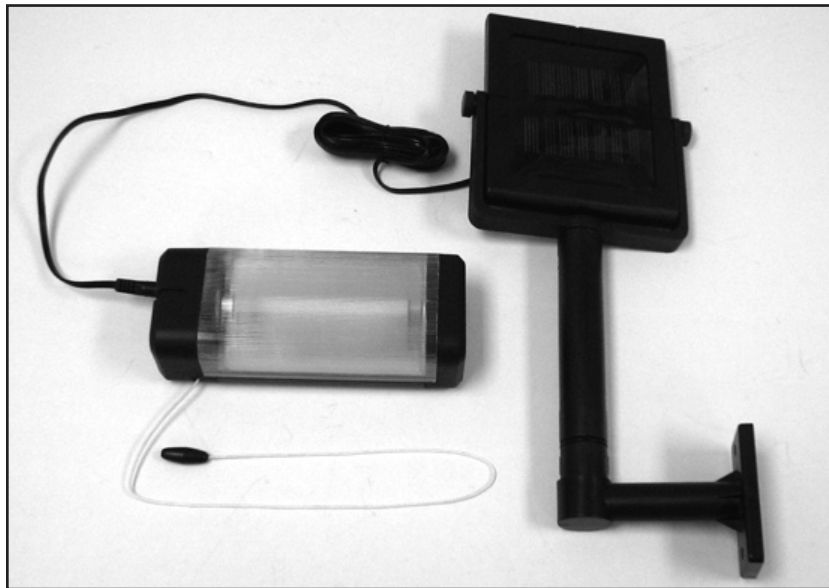


CHICAGO[®]
Electric

SOLAR SHED LIGHT

Model 95573

ASSEMBLY AND OPERATION INSTRUCTIONS



Due to continuing improvements, actual product may differ slightly from the product described herein.



3491 Mission Oaks Blvd., Camarillo, CA 93011
Visit our website at: <http://www.harborfreight.com>

**TO PREVENT SERIOUS INJURY, READ AND UNDERSTAND
ALL WARNINGS AND INSTRUCTIONS BEFORE USE.**

Copyright© 2007 by Harbor Freight Tools®. All rights reserved. No portion of this manual or any artwork contained herein may be reproduced in any shape or form without the express written consent of Harbor Freight Tools.

For technical questions or replacement parts, please call 1-800-444-3353.

SPECIFICATIONS

Solar Panel Type	Polycrystalline Silicon Solar Panel
Light	4-Watt Fluorescent Light w/Output Equivalent to 30 Watts Incandescent
Power Cord	18 Gauge x 2C x 10'
Lens	Acrylic Plastic Lens
Run Time	Approximately 50 Minutes Continuous Run Time on Fully Charged Batteries
Battery Requirement	4 AA (1.2 VDC) 500 mAh NiCd Rechargeable Batteries (included)
Light Fixture Dimensions	3-1/16"L x 7-15/16"W x 2-3/16"H
Weight	1.85 Lb.

Save This Manual

You will need this manual for the safety warnings and precautions, assembly, operating, inspection, maintenance and cleaning procedures, parts list and assembly diagram. Keep your invoice with this manual. Write the invoice number on the inside of the front cover. Write the product's serial number in the back of the manual near the assembly diagram, or write month and year of purchase if product has no number. Keep this manual and invoice in a safe and dry place for future reference.

GENERAL SAFETY RULES



READ AND UNDERSTAND ALL INSTRUCTIONS
Failure to follow all instructions listed below may result in
electric shock, fire, and/or serious injury.
SAVE THESE INSTRUCTIONS

WORK AREA

1. **Keep your work area clean and well lit.** Cluttered areas invite accidents.
2. **Keep bystanders, children, and visitors away while assembling this product.** Distractions can cause you to lose control.

ELECTRICAL SAFETY

1. **Observe work area conditions.** Keep work area well lit. Position the Solar Shed Light panel in an unobstructed area that receives sunlight at least six hours a day.

2. **Do not expose the Shed Light Assembly to rain or wet conditions.** You can however place the solar panel outside, exposed to the elements.
3. **Do not abuse the Power Cord. Never use the Power Cord to carry the Shed Light or pull the Plug from an outlet. Keep the Power Cord away from heat, oil, sharp edges, or moving parts. Replace damaged Power Cords immediately.** Damaged Power Cords increase the risk of electric shock.

PERSONAL SAFETY

1. **Stay alert. Watch what you are doing, and use common sense when operating this product. Do not use this product while tired or under the influence of drugs, alcohol, or medication.** A moment of inattention while operating this product may result in serious personal injury.
2. **Dress properly. Do not wear loose clothing or jewelry when installing the Solar Shed Light. Contain long hair.**
3. **Keep children away.** Children must never be allowed in the work area. Do not let them handle the Solar Light.
4. **Avoid accidental starting. Be sure the Power Switch is off before plugging in.**
5. **Do not overreach. Keep proper footing and balance at all times.** Proper footing and balance enables better control of this product in unexpected situations.
6. **Use safety equipment. Always wear eye protection.** Nonskid safety shoes or hard hat must be used for appropriate conditions. Always wear ANSI-approved safety goggles when assembling or performing maintenance on this Shed Light.

SHED LIGHT USE AND CARE

1. **Disconnect the Power Cord Plug from the power source before making any adjustments or changing batteries.**
2. **Check for misalignment or binding of moving parts, breakage of parts, and any other condition that may affect this products operation. If damaged, have the Solar Shed Light serviced before using.** Many accidents are caused by poorly maintained products.

SERVICE

1. **With the exception of changing the batteries and replacing the light tube, servicing of the Shed Light must be performed only by qualified repair personnel.**
2. **When servicing this product use only identical replacement parts. Follow instructions in the “*Inspection, Maintenance, And Cleaning*” section of this manual.** Use of unauthorized parts or failure to follow maintenance instructions may create a risk of electric shock or injury.

SPECIFIC SAFETY RULES


1. **Maintain labels and nameplates on the Shed Light.** These carry important information. If unreadable or missing, contact Harbor Freight Tools for a replacement.
2. **Maintain a safe working environment.** Make sure there is adequate surrounding workspace. Do not use this product in a damp or wet location. Do not set up the Solar Shed Light if under the influence of alcohol or drugs. Read warning labels on prescriptions to determine if your judgement or reflexes are impaired while taking drugs. If there is any doubt, do not set up the Solar Light.
3. **Keep the Solar Panel free of dirt, dust and grime.** Dust covering the Solar Panel will block out sunlight causing a decrease or stoppage of efficiency in recharging the batteries.
4. **WARNING: This product contains or, when used, produces a chemical known to the State of California to cause cancer and birth defects or other reproductive harm.** (California Health & Safety Code § 25249.5, et seq.)
5. **WARNING: NiCd batteries must be disposed of properly.** Do not incinerate. Batteries may burst, causing personal injury and/or property damage. Contact your local hazardous waste disposal authority for proper disposal.

UNPACKING

When unpacking, check to make sure that the item is intact and undamaged. If any parts are missing or broken, please call Harbor Freight Tools at the number shown on the cover of this manual as soon as possible.

ASSEMBLY INSTRUCTIONS

Note: For additional information regarding the parts listed in the following pages, refer to the Assembly Diagram near the end of this manual.

 **WARNING!** Make sure the Power Switch of this product is in its “OFF” position and that the Solar Shed Light is unplugged from its electrical outlet before making any adjustments to the tool.

Note: If the Light unit is passing from the outside to the inside of the Shed, take into consideration the clearance needed for the Cord (10) and if the Light is to be mounted for indoor lighting.

INSTALLATION INSTRUCTIONS

Note: Your Solar Shed Light will require installation. It is important that you read the entire manual to become familiar with the product BEFORE you use the Solar Shed Light. Before operating this product be sure that you have all parts described in the Parts List and Assembly Diagram located on page 10 of this manual.

1. If you do not have experience or have not done wiring of this type before, contact a qualified electrician to install the Solar Shed Light.
2. Decide where you want to place the Solar Shed Light and Solar Panel. The Solar Panel assembly must be set in a location that receives full, direct sunlight a minimum of six hours a day. The location should not be near nighttime light sources such as porch lights or street lights as this may cause the lights to flicker. The Solar Shed Light and Solar Panel assembly must be installed within 8 ft. of each other to allow for the Cord (10) connection. See Figure 1.
3. The Solar Shed Light can be mounted with Screws (23) and Anchors (24). Make a mounting template by tracing the mounting holes on the back of the light. Do not insert the Screws (23) all the way. The head of the Screw (23) must stick out a small amount from the wall to allow clearance to hang the Shed Light from the Screw Mounting Holes. See Figure 2.
4. Place the Solar Panel assembly in the desired spot in the out-of-doors where it can charge with sunlight.
5. Using the Bracket (8) as a template, mark the location on the wall where the Screws (23) and Anchors (24) will be used for mounting the Bracket (8).

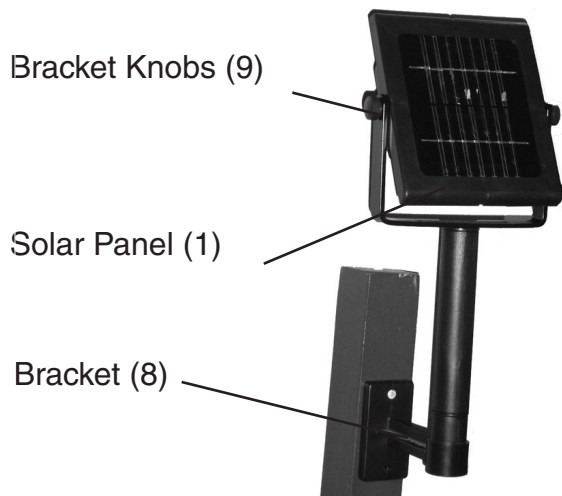


Figure 1

Back view of Light

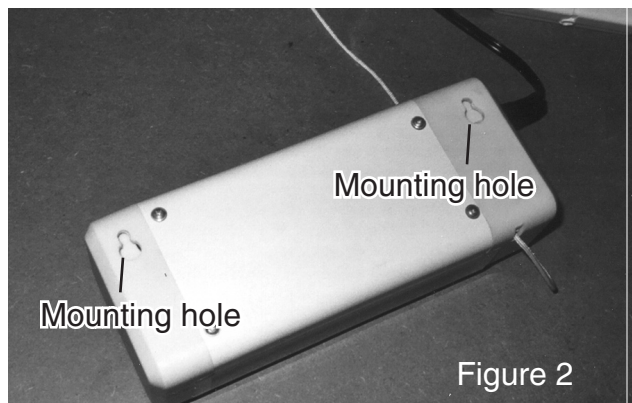


Figure 2

6. Use an awl or drill to set the Screw path. Beware of any electrical lines in the drilling pathway. Make sure there are no wires, pipes or cables behind where you plan to drill.

7. Mount the Bracket (8) to the shed using the Screws (23) and/or Anchors (24). When using Anchors (24) drill holes the size of the Anchors. Tap Anchors in with a hammer (not included).
8. Attach the Solar Panel (1) to the Bracket (8) using the Bracket Knobs (9), then attach the Power Cord (10) to both the Light and the Solar Panel (1).
9. Turn OFF the Shed Light Switch (21). Tilt the Solar Panel to catch the sun's rays.
10. After the initial charge is set, turn ON the Shed Light Switch (21), then check to see that the Shed Light is ON by viewing the light at night or in a dark location. If the Light (19) is not lit, check the position of the "ON" Switch (21). The Shed Light can be turned "ON" by manually pulling the cord on the Switch (21) on the side of the Solar Light.

Note: If attaching to the shed roof, you may need to use roofing cement to maintain roof water proofing. The Solar Panel must be set in a location that receives full, direct sunlight a minimum of six hours a day.

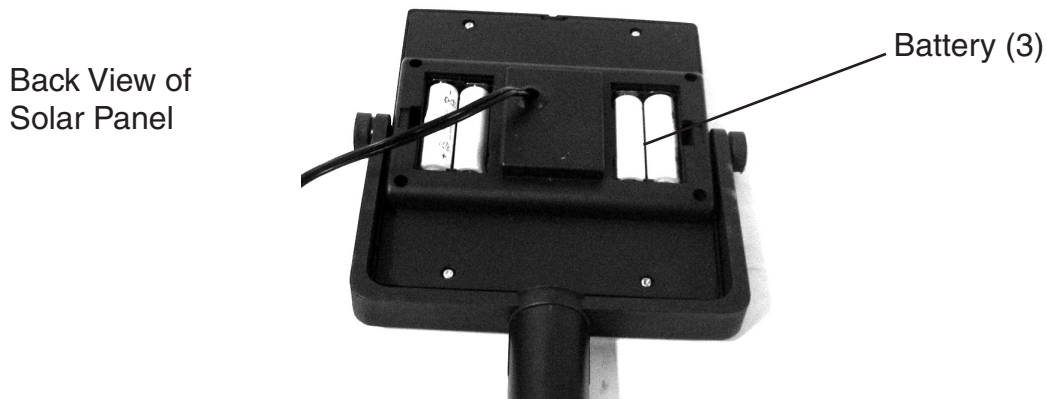
Note: During the day, the Solar Panel (1) converts sunlight into electricity, recharging the battery. The amount of light the Solar Panel receives depends on placement of the Solar Light Panel assembly, geographic location and weather. If the weather is cloudy and the Panel did not receive a full charge, the Solar Panel assembly may not achieve the full operating time. It will catch up on its own after two to three days of full sun.

Replacing the Batteries

1. It is recommended that you replace the batteries every 12 months. Before performing any maintenance on the Solar Shed Light, make certain that the Switch (21) on the side of the Solar Light is in the "OFF" position.

2. To change the batteries, carefully remove the Solar Panel (1) from the Bracket (8) by turning the Bracket Knobs (9) counterclockwise. Place the Solar Panel assembly on a flat, uncluttered surface.
3. Remove the battery covers from Battery Housing (4) by pressing the battery cover tabs inward, while pulling them up and out.

Figure 3

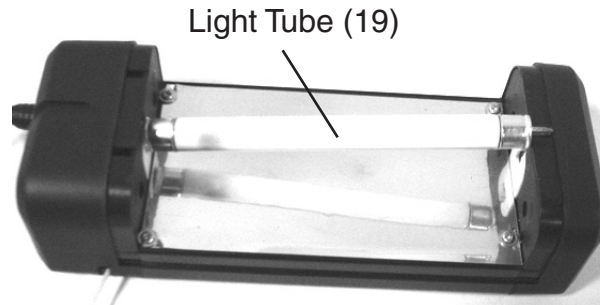


4. Remove the old batteries (note the polarity position of the old batteries). Make certain that the new batteries are “AA” (1.2-VDC, 500-mAH, Ni-CD) rechargeable. Install the new batteries into the Battery Housing (4). Make certain that the batteries are placed according to the correct polarity marked on the batteries. The negative polarity (-) of the battery goes against the spring. Make sure the batteries stay in the grooves. Be very careful not to crimp the wires.
5. Replace the battery covers and re-attach Solar Panel (1) to the Bracket (8) using the Bracket Knobs (9) on each side of the Solar Panel (1). See Figure 3 .

Replacing the Light Tube

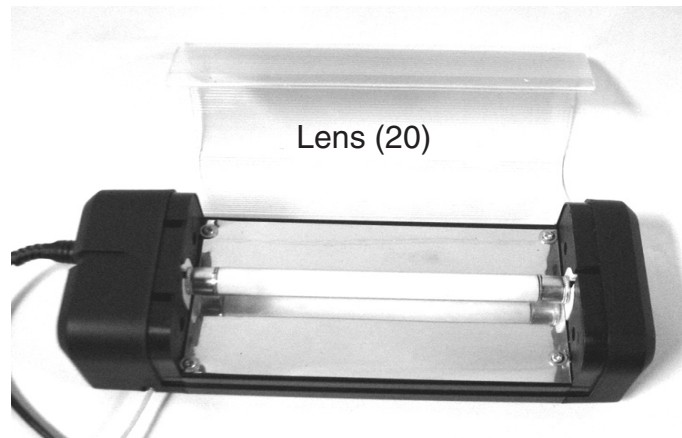
1. Before performing any maintenance on the Solar Shed Light, make certain that the switch on the Shed Light is in the “OFF” position and that the Light Tube (19) has had time to completely cool off.
2. Remove the Lens (20) from the Shed Light by lightly squeezing it and gently lifting and slide off. See Figure 4.
3. Gently grasp the old Light Tube (19). Turn it 90 degrees (either direction). Slide one end out of the OPEN side of the lamp. (One side of the lamp is open, the other is closed). Pull out the old Light Tube. Dispose of it according to warnings on page 7. See Figure 4.

Figure 4



4. Insert the Light Tube (19) into the closed end of the lamp first, then slide it into the open end. Rotate 90 degrees to lock in place. See Figure 5.

Figure 5



5. Make certain that the light is replaced with an identical Light Tube (19). Do not force. Replace the Lens (20). Snap shut. See Figure 5.

Caution: Light Tubes (19) are fragile and can easily break. Be careful when discarding bulbs. When replacing the bulb, use the appropriate clothing including ANSI-approved safety goggles and leather gloves as indicated in this manual's warning section.

INSPECTION, MAINTENANCE, AND CLEANING

1. **⚠️ WARNING!** Make sure the Power Switch is in its “OFF” position and that the product is unplugged from its electrical outlet before performing any inspection, maintenance, or cleaning procedures.
2. **BEFORE EACH USE**, inspect the general condition of this product. Check for loose screws, misalignment or binding of moving parts, cracked or broken parts, damaged electrical wiring, and any other condition that may affect its safe operation. **Do not use a damaged product.**

MAINTENANCE CHART						
Maintenance Type	Before Use	After Use	Weekly	Monthly	Every 6 Months	Yearly
Inspect product for damage (see #2, above)	X					
Wipe off with clean, moist cloth		X	X	X	X	X

TROUBLESHOOTING

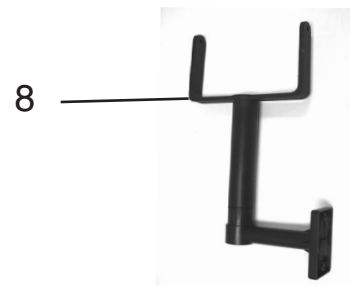
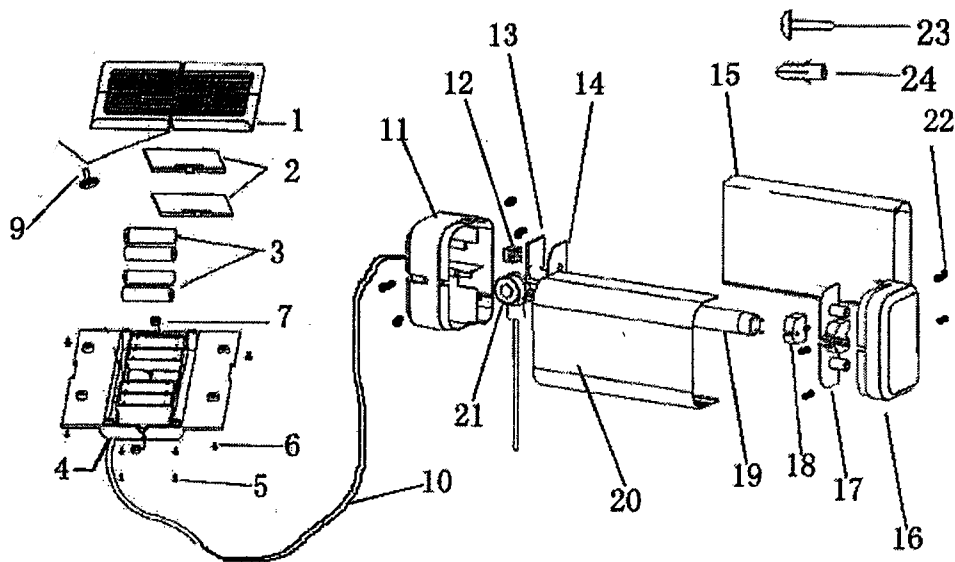
Problem	Possible Causes	Probable Solutions
Light will not turn on	<ol style="list-style-type: none"> 1. No power at outlet. 2. Power Cord (10) not connected. 3. Light Tube (19) is burned out. 4. Solar Panel (1) is damaged. 5. Solar Panel (1) is not getting enough sun light. 6. Bad Switch (21). 	<ol style="list-style-type: none"> 1. Check power at Solar Panel (1). 2. Check that Power cord (10) is plugged in. 3. Replace Light Tube (19). 4. Replace Solar Panel (1). 5. Relocate Solar Panel (1) to a more sunny location. 6. Replace Switch (21).

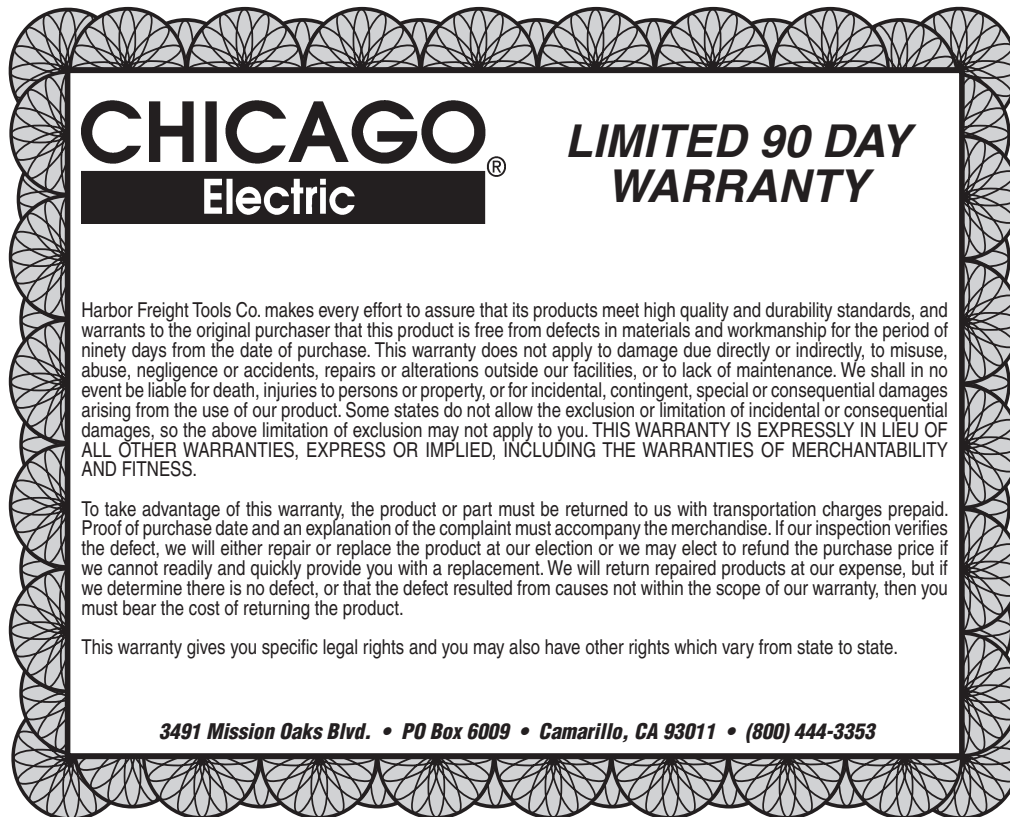
PARTS LIST

Part	Description	Qty
1	Solar Panel	1
2	Battery Cover	2
3	Battery	4
4	Battery Housing	1
5	Long Screws	4
6	Short Screws	4
7	Nut M5	2
8	Bracket	1
9	Bracket Knobs	2
10	Power Cord	1
11	Left Housing	1
12	Charging Base	1
13	Circuit Board	1

Part	Description	Qty
14	Left Baffle	1
15	Back Housing w/Reflector Strip	1
16	Right Housing	1
17	Right Baffle	1
18	Socket	2
19	Light Tube	1
20	Lens	1
21	Switch Assembly	1
22	Screws	8
23	Screws (5/16" long)	4
24	Anchor	4

ASSEMBLY DIAGRAM





PLEASE READ THE FOLLOWING CAREFULLY

THE MANUFACTURER AND/OR DISTRIBUTOR HAS PROVIDED THE PARTS LIST AND ASSEMBLY DIAGRAM IN THIS MANUAL AS A REFERENCE TOOL ONLY. NEITHER THE MANUFACTURER OR DISTRIBUTOR MAKES ANY REPRESENTATION OR WARRANTY OF ANY KIND TO THE BUYER THAT HE OR SHE IS QUALIFIED TO MAKE ANY REPAIRS TO THE PRODUCT, OR THAT HE OR SHE IS QUALIFIED TO REPLACE ANY PARTS OF THE PRODUCT. IN FACT, THE MANUFACTURER AND/OR DISTRIBUTOR EXPRESSLY STATES THAT ALL REPAIRS AND PARTS REPLACEMENTS SHOULD BE UNDERTAKEN BY CERTIFIED AND LICENSED TECHNICIANS, AND NOT BY THE BUYER. THE BUYER ASSUMES ALL RISK AND LIABILITY ARISING OUT OF HIS OR HER REPAIRS TO THE ORIGINAL PRODUCT OR REPLACEMENT PARTS THERETO, OR ARISING OUT OF HIS OR HER INSTALLATION OF REPLACEMENT PARTS THERETO.

Free Manuals Download Website

<http://myh66.com>

<http://usermanuals.us>

<http://www.somanuals.com>

<http://www.4manuals.cc>

<http://www.manual-lib.com>

<http://www.404manual.com>

<http://www.luxmanual.com>

<http://aubethermostatmanual.com>

Golf course search by state

<http://golfingnear.com>

Email search by domain

<http://emailbydomain.com>

Auto manuals search

<http://auto.somanuals.com>

TV manuals search

<http://tv.somanuals.com>