

BOGEN®

VANDAL-RESISTANT SPEAKER

MODEL VRS1

DESCRIPTION

The Bogen VRS1 is a wall-mountable, vandal-resistant speaker with call-button designed for use with Bogen Multicom and Multi-Graphic communication systems. It consists of an 8-ohm loudspeaker, 25V transformer (tapped at 1/2 watt), and call-in switch mounted to a heavy-gauge stainless steel plate. The call-in switch can be wired to provide either momentary or latching operation. The plate may be mounted to a 2-1/2" deep Gang Box (4-1/2"W x 6-13/16"H), such as Steel City (H2BD-3/4 & 1), with one-way security screws.

INSTALLATION

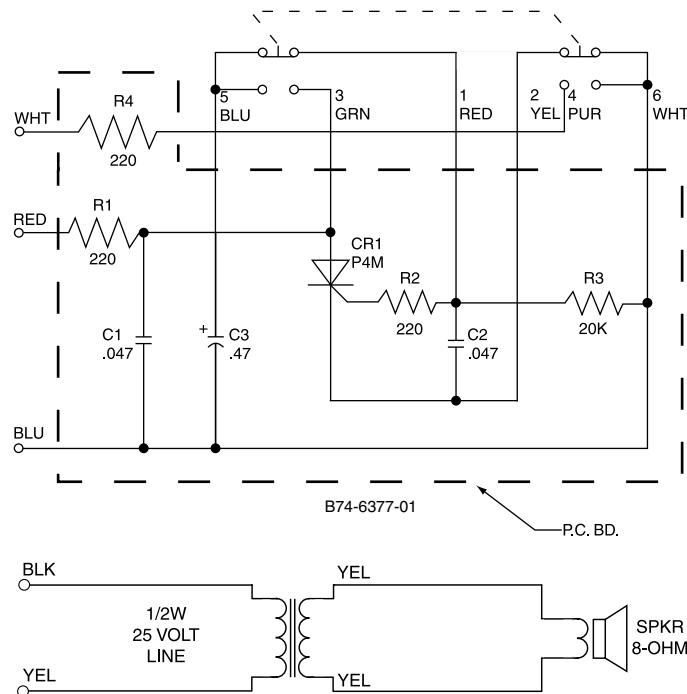
A shielded-pair plus one-conductor cable is required. The unshielded conductor should be in a jacketed cable with the shielded pair, as in West Penn #358 or Belden #8724. Use the chart below to connect the cable to the speaker. Refer to the appropriate system installation instructions to terminate the cable at the system control center.

VRS1 Wire Color

White
Red
Blue
Black
Yellow

Conductor

Unshielded conductor (in Multicom and other "momentary" systems)
Unshielded conductor (in Multi-Graphic, ACD, and other "latching" systems)
Cable shield
Shielded conductor
Shielded conductor



VRS1 Schematic Diagram

BOGEN®
COMMUNICATIONS, INC.

50 Spring Street, Ramsey, NJ 07446, U.S.A.
Tel. 201-934-8500; Fax: 201-934-9832; www.bogen.com

Part No. 54-5921-01R2
Printed in Korea 0109
Specifications subject to changes without notice.

Free Manuals Download Website

<http://myh66.com>

<http://usermanuals.us>

<http://www.somanuals.com>

<http://www.4manuals.cc>

<http://www.manual-lib.com>

<http://www.404manual.com>

<http://www.luxmanual.com>

<http://aubethermostatmanual.com>

Golf course search by state

<http://golfingnear.com>

Email search by domain

<http://emailbydomain.com>

Auto manuals search

<http://auto.somanuals.com>

TV manuals search

<http://tv.somanuals.com>