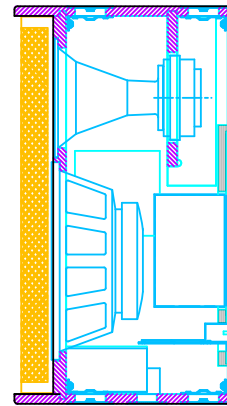
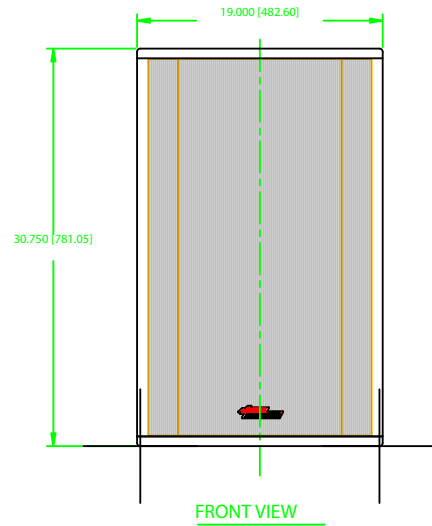
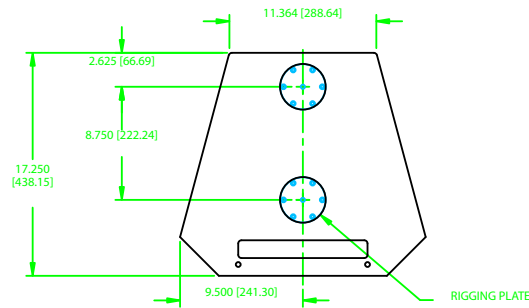
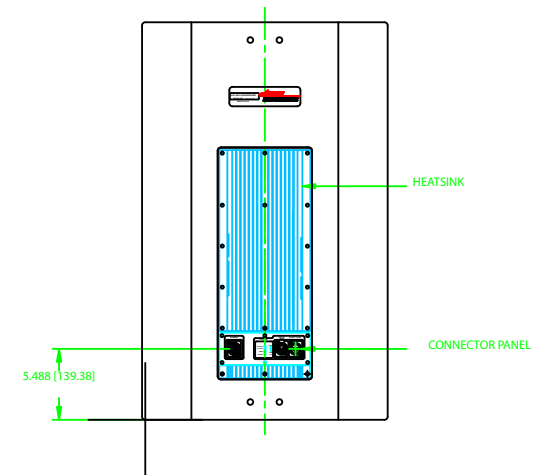


APL-800 POWERED LOUDSPEAKER



SECTION VIEW



NOTES: UNLESS OTHERWISE SPECIFIED

- OPTIONAL TRIM IS NOT SHOWN ABOVE.
- DIMENSIONS ARE IN INCHES & [MILLIMETERS].

INFORMATION CONTAINED
IN THIS DOCUMENT IS
THE SOLE PROPERTY
OF APOGEE SOUND
INTERNATIONAL, LLC.
REPRODUCTION OF ALL
OR ANY PART OF THIS
DOCUMENT WITHOUT
WRITTEN CONSENT
FROM APOGEE
SOUND INTERNATIONAL,
LLC IS PROHIBITED.

NOT TO SCALE

SCALE	1/4	DRAWN	WWE	02/19/02
REVISED				
PRODUCT NUMBER:	105-1800	SIZE	D	DRAWING NO.
			ZAPL800	REVISION
				A

APL-800 POWERED LOUDSPEAKER

Free Manuals Download Website

<http://myh66.com>

<http://usermanuals.us>

<http://www.somanuals.com>

<http://www.4manuals.cc>

<http://www.manual-lib.com>

<http://www.404manual.com>

<http://www.luxmanual.com>

<http://aubethermostatmanual.com>

Golf course search by state

<http://golfingnear.com>

Email search by domain

<http://emailbydomain.com>

Auto manuals search

<http://auto.somanuals.com>

TV manuals search

<http://tv.somanuals.com>