

# Flush- and Surface-Mount Back Boxes

## Models BBF and BBS - Installation and Use Manual

### 1A: BBS Installation

1. Install BBS back box on wall, making sure that the box is squarely mounted. Allow free access above box for AC wiring and above or below box for audio wiring.
2. Have power wiring run near upper right-hand corner where box will be mounted.
3. Secure box on wall with screws through back holes (4 screws).

### 2: Junction Box Wiring

1. Supply AC power to unit through conduit, BX or ROMEX in accordance with local electrical codes.
2. Snap AC receptacle into junction box (GND pin down) and connect wires as shown using wire nuts.
3. BBF - Install junction box in BBF and secure with four #6 x 3/8 screws.  
BBS - Install junction box in BBS and secure with four #6-32 x 3/8 screws and KEPS nuts.

### 3: Preparations Before Installing Amplifier

1. Run all audio leads into wall box. The preferred arrangement is for output leads to enter through the top and input leads to enter through the bottom. Use knockouts as necessary. Make sure wires do not rest against sharp edges of box.
2. Install hinges (packed with amplifier) using 6 #8 x 3/8 screws. Do not install middle screws of lower hinge (used for ground strap connection - see 4).
3. Check to see that AC power is available at the outlet.

### 4: Amplifier Installation

1. Mount amplifier on back box by aligning hinge pins and lowering into place.
2. Connect ground strap by inserting middle hinge screws through lugs of ground strap as shown in illustration. Ground strap must be installed to meet UL requirements.
3. Make necessary input and output connections (care should be taken to keep input and output leads separated as much as possible).
4. With power switch turned off, plug AC cord into side outlet on junction box.
5. Turn amplifier ON and check connections.
6. Secure amplifier using three #8-32 x 1/2 screws.

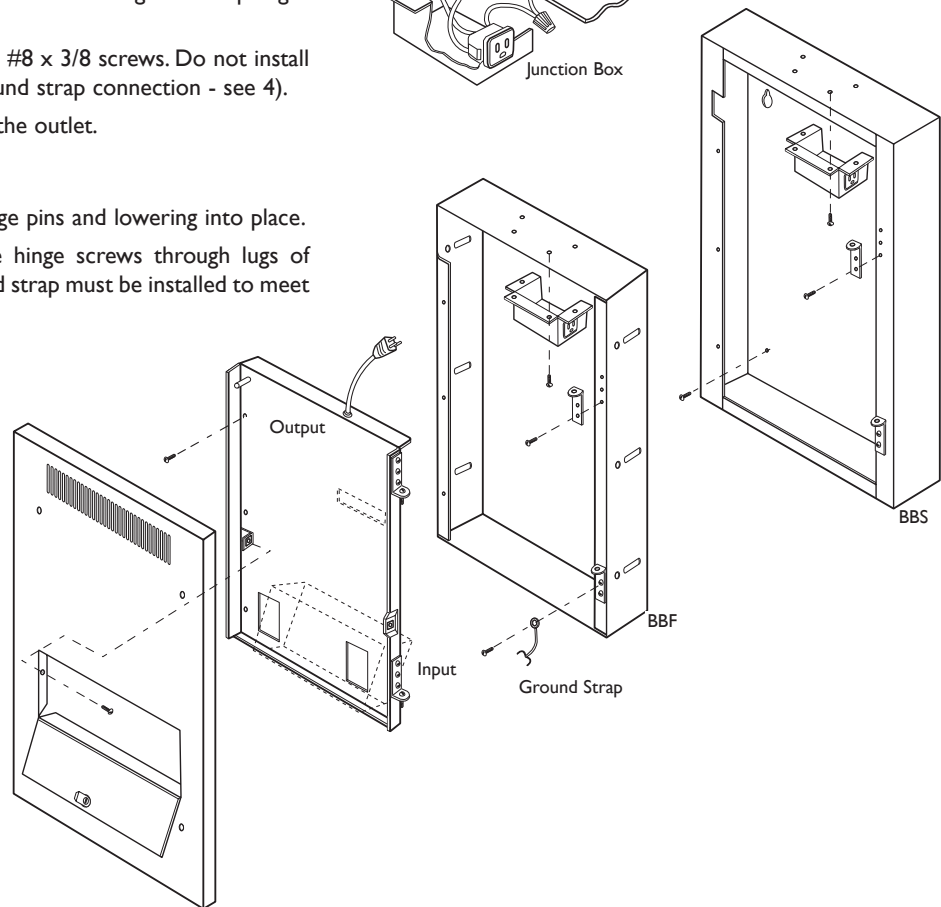
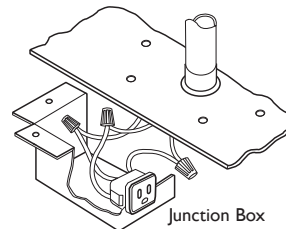
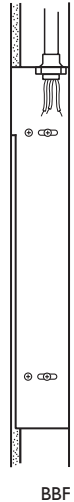
### 5: Front Panel Mounting

1. Mount front panel (but do not tighten) with four #8-32 x 3/8 screws at top and bottom of panel.
2. Install two #8 x 3/8 screws on inside lips of door opening, then tighten all mounting screws. Do not overtighten as U-clip will strip.
3. Check to see that door opens and closes correctly.

Specifications subject to change without notice.  
© 2005 Bogen Communications, Inc.  
Part No. 53-5599-01C 0507

### 1B: BBF Installation

1. Prepare mounting hole for BBF back box. Hole size should be 24-13/16" H x 14-5/16" W minimum opening with studs or mounting surfaces on each side.
2. Have power wiring run near upper right-hand corner where box will be mounted.
3. Install BBF back box in wall, making sure that the box is squarely mounted and the front surface flush with the finished wall. Use shims if necessary. Allow free access above box for AC wiring and above or below box for audio wiring.
4. Secure box in wall with screws through side slots (4 screws).
5. With box positioned, install 4 additional screws in holes next to slots.



**BOGEN**  
COMMUNICATIONS, INC.

50 Spring Street, Ramsey, NJ 07446, U.S.A.  
Tel. 201-934-8500, Fax: 201-934-9832, www.bogen.com

## Free Manuals Download Website

<http://myh66.com>

<http://usermanuals.us>

<http://www.somanuals.com>

<http://www.4manuals.cc>

<http://www.manual-lib.com>

<http://www.404manual.com>

<http://www.luxmanual.com>

<http://aubethermostatmanual.com>

Golf course search by state

<http://golfingnear.com>

Email search by domain

<http://emailbydomain.com>

Auto manuals search

<http://auto.somanuals.com>

TV manuals search

<http://tv.somanuals.com>