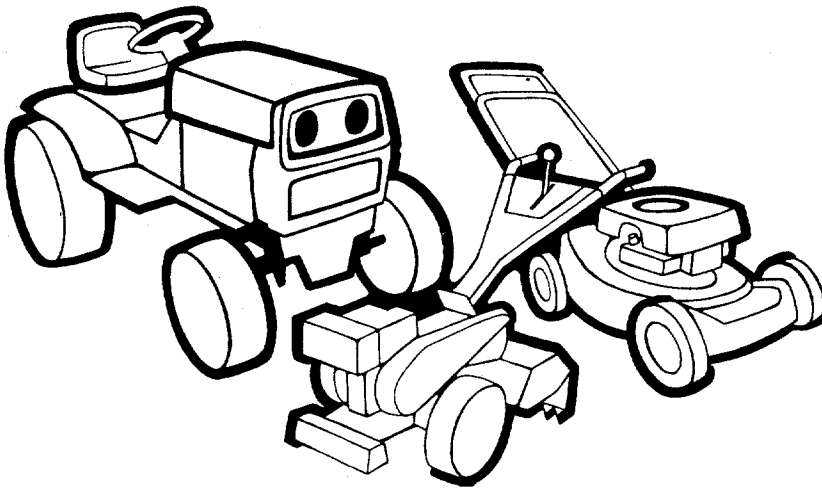


OWNERS MANUAL



LEAF BLOWERS

**ASSEMBLY
OPERATION
MAINTENANCE
PARTS LIST**

**Important:
Read Safety Rules and
Instructions Carefully**

**Model Numbers
244-692-000
244-693-000
244-694-000
24695L**

Thank you for purchasing an
American built product.

INDEX

Safe Operation Practices	3	Maintenance and Lubrication.....	6
Assembly Instructions	4	Off-Season Storage.....	6
Operation.....	5	Illustrated Parts	8, 9, 10
Adjustments.....	6	Parts Information.....	Back Cover

LIMITED WARRANTY

For one year from the date of original retail purchase, MTD PRODUCTS INC will either repair or replace, at its option, free of charge, F.O.B. factory or authorized service firm, any part or parts found to be defective in material or workmanship. Transportation charges for the movement of any power equipment unit or attachment are the responsibility of the purchaser. Transportation charges for any parts submitted for replacement under this warranty must be paid by the purchaser unless such return is requested by MTD PRODUCTS INC.

This warranty will not apply to any part which has become inoperative due to misuse, excessive use, accident, neglect, improper maintenance, alterations, or unless the unit has been operated and maintained in accordance with the instructions furnished. This warranty does not apply to the engine, motor, battery, battery charger or component parts thereof. Please refer to the applicable manufacturer's warranty on these items.

This warranty will not apply where the unit has been used commercially.

Warranty service is available through your local authorized service dealer or distributor. If you do not know the dealer or distributor in your area, please write to the Customer Service Department of MTD.

The return of a complete unit will not be accepted by the factory unless prior written permission has been extended by MTD.

This warranty gives you specific legal rights. You may also have other rights which vary from state to state.



TO PURCHASERS OF INTERNAL COMBUSTION ENGINE EQUIPPED MACHINERY OR DEVICES IN THE STATE OF CALIFORNIA

The equipment which you have just purchased does not have a spark arrester. If this equipment is used on any forest covered land, brush covered land, or grass covered unimproved land in the State of California, before using on such land, the California law requires that a spark arrester be provided. In addition, spark arrester is required by law to be in effective working order. The spark arrester must be attached to the exhaust system and comply with Section 4142 of the California Public Resources Code.

IMPORTANT

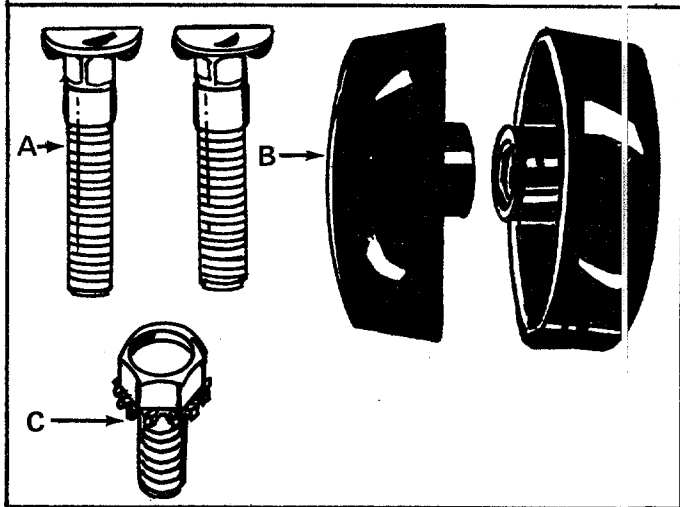
It is suggested that this manual be read in its entirety before attempting to assemble or operate. Keep this manual in a safe place for future reference and for ordering replacement parts.

This unit is shipped WITHOUT GASOLINE or OIL. After assembly, see separate engine manual for proper fuel and engine oil recommendations.

SAFE OPERATION PRACTICES FOR LEAF BLOWERS

1. Read this operating and service instructing manual carefully. Be thoroughly familiar with the controls and proper use of the power leaf blower.
2. Never allow children to operate this power leaf blower.
3. Keep the area of operation clear of all persons, particularly small children and pets.
4. Check fuel before starting engine. Do Not fill fuel tank indoors, when engine is running, or while engine is hot. Wipe off any spilled fuel before starting engine.
5. Do Not change engine governor settings.
6. Do Not put hands near rotating parts for any reason.
7. If the power leaf blower should start to vibrate abnormally, stop the engine and check immediately for the cause. Vibration is generally a warning of trouble.
8. Before cleaning, repairing or inspecting make certain all moving parts have come to a complete stop. Disconnect spark plug wire and keep wire away from plug to prevent accidental starting. Also keep throttle control lever in the stop position.
9. If the power leaf blower should become blocked with debris at any point, shut engine off and wait until the impeller comes to a complete stop before attempting to remove the obstruction. Disconnect spark plug wire to prevent accidental starting.
10. Check all bolts for tightness at frequent periods.
11. Never store this power leaf blower with fuel in the tank. Allow engine to cool before starting in any enclosure.
12. Keep equipment free of debris when not in use.
13. Never operate this leaf blower unless impeller guard and guard assembly are properly affixed in their place.
14. Never change inlet nozzle or auxiliary hose attachment when engine is running.
15. The manufacturer recommends that the operator wear safety glasses or some other suitable eye protection when operating this machine.
16. Exercise caution whenever operating leaf blower. Do Not allow exhaust to be pointed in the direction of persons.

ASSEMBLY INSTRUCTIONS



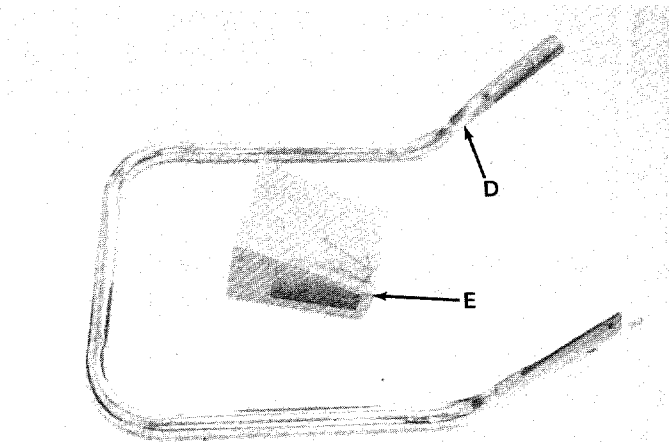
CONTENTS OF HARDWARE PACK:
(See Figure 1.)

- A (2) Carriage Bolts
- B (2) Hand Knobs
- C (1) Hex Sems Bolt



Vacuum hose attachment 244-204-000 comes with model 694. It is optional equipment on all other models.

FIGURE 1.

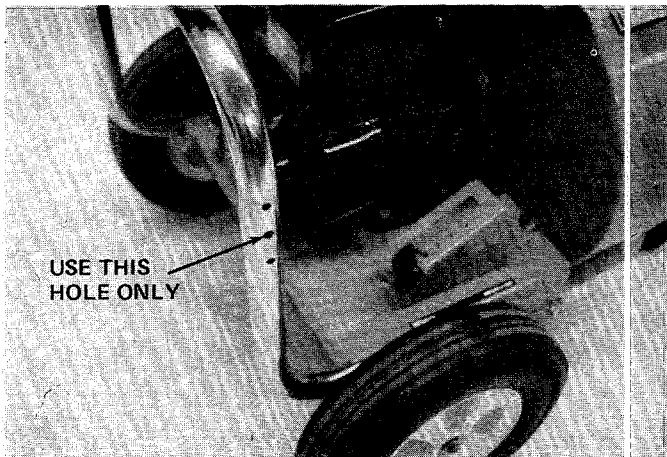


PARTS IN CARTON (See Figure 2):

- D (1) Upper Handle
- E (1) Directional Discharge



The right and left side of your leaf blower is determined from operator's position.



1. Remove the leaf blower, hardware pack and all literature from the carton before discarding carton.

2. Figure 3 shows lower handle. Upper handle mounts in center hole only.

FIGURE 3.

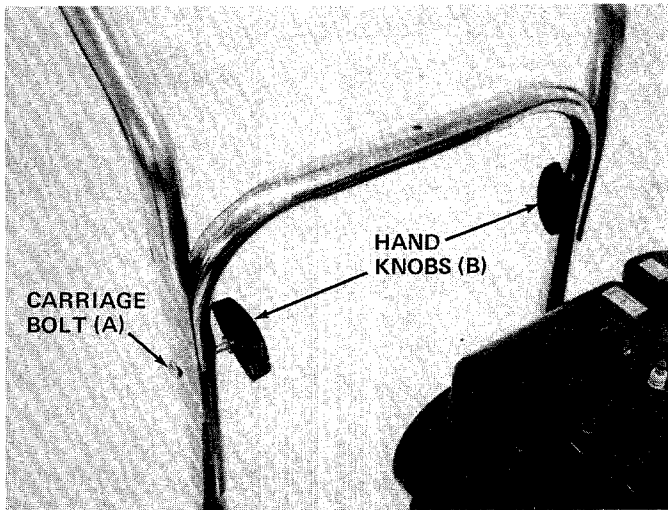


FIGURE 4.

3. Place the upper handle (D) over the lower handle, lining up the holes. Secure with carriage bolts (A) and hand knobs (B). See figure 4.

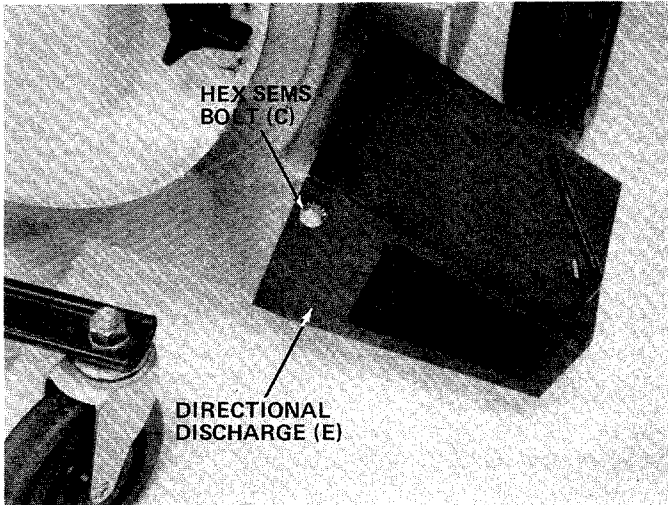


FIGURE 5.

4. Slip end of directional discharge (E) over chute opening. Secure in position with hex sems bolt (C). See figure 5.

OPERATION

BEFORE STARTING ENGINE

Service engine with gas and oil. See engine manual packed with leaf blower for complete instructions for care and maintenance of engine. READ DIRECTIONS CAREFULLY.

TO START ENGINE

1. Move throttle to "START" position.

2. Pull starter rope once with quick, full stroke. Move hand throttle to "FAST" position and pull starter rope again.
3. When engine starts, move throttle to "RUN" position until engine warms up.

TO STOP ENGINE

Move throttle control lever to "OFF" position.

ADJUSTMENTS



Do Not make this adjustment or any adjustment with the engine running. Stop the engine, disconnect the spark plug wire and ground plug wire to engine block.

TWO-WAY AIR DISCHARGE

Your leaf blower is equipped with an adjustable chute deflector. Simply push down on handle provided and swing door towards the front or side as desired. See figure 6.

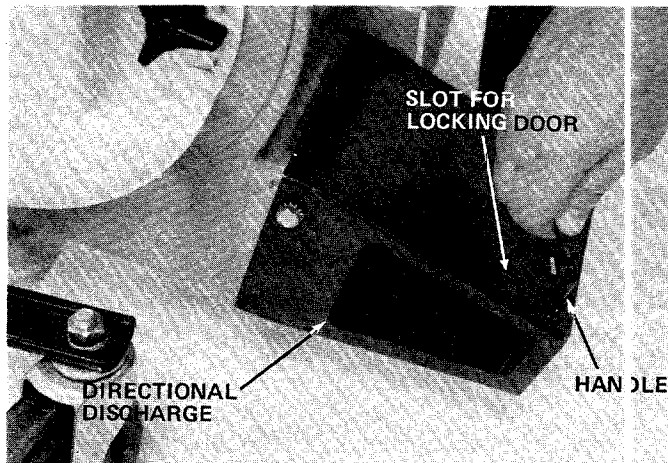


FIGURE 6.

HEIGHT ADJUSTMENT

To adjust the height of the discharge, stand on the right hand side of the leaf blower and move the index handle towards the engine. Move handle towards rear of unit to lower height. Move the handle forward to raise the height. See figure 7.

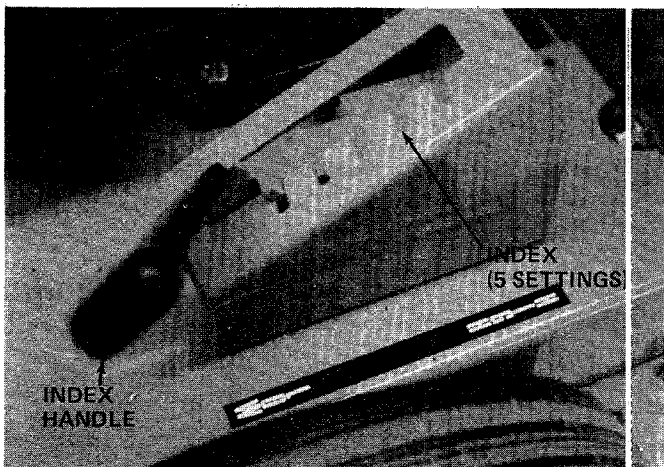


FIGURE 7.

MAINTENANCE AND LUBRICATION

Your leaf blower, like all machines with moving parts, must receive care and maintenance. The following tips, if used, will contribute many troublefree hours to your blower.

1. Check oil level frequently. When changing oil, make sure dirt and debris is cleaned off oil sump before removing oil plug.
2. Keep blower clean, especially the engine and engine air filter.
3. Check all nuts, bolts and screws occasionally to be sure blower is in good operating condition.
4. The wheel bearings are pre-lubricated at the factory and should require no further attention until blower is serviced. However, it is advisable to remove the wheels and apply a small amount of light oil to each axle at least once a season.

OFF-SEASON STORAGE

If you are going to store your blower for any length of time (30 days or longer), it is important that the following steps be taken:

1. Drain the gas tank. Start the engine. Allow it to run out of gas. Gasoline left in the engine will leave gum deposits in the carburetor and gas tank.
2. Clean engine of all foreign matter.
3. Lubricate cylinder by removing the spark plug and pour in one ounce of clean lubricating oil through the spark plug hole into the cylinder. Crank engine slowly to spread oil and replace spark plug. To start after storage, remove spark plug and rotate engine with starter to remove excess oil.

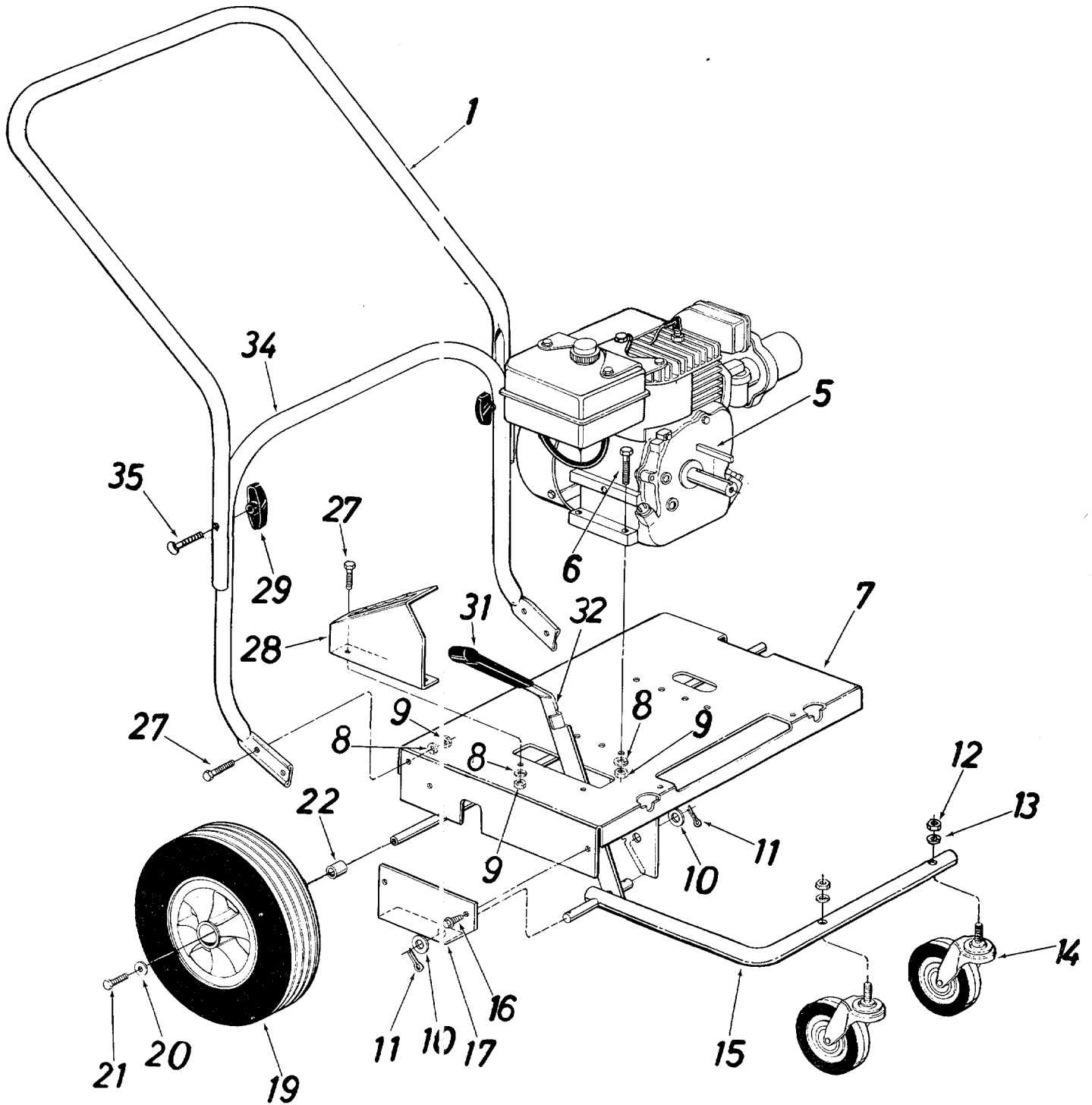


When storing any type of power equipment in an unventilated or metal storage shed, care should be taken to rust proof the equipment. Using a light oil or silicone, coat the equipment, especially springs and bearings.

NOTES

A large, empty rectangular box with a thin black border, occupying most of the page. It is intended for the user to write their notes.

Models 692, 693, 694 and 24695



Models 692, 693, 694 and 24695

PARTS LIST FOR LEAF BLOWER MODELS 692, 693, 694 and 24695

Ref. No.	Part No.	Color Code	Description	New Part
1	749-0479		Upper Handle	
5	714-0114		Sq. Key 1/4" x 1/4" x 2.00" Lg.*	
6	710-0442		Hex Bolt 5/16-18 x 1.50" Lg.*	
7	14526 --- 488		Engine Mounting Frame Ass'y.	
8	736-0119		L.-Wash. 5/16" I.D.*	
9	712-0267		Hex Nut 5/16-18 Thd.*	
10	736-0187		Fl.-Wash. .63" I.D. x 1.25" O.D.	
11	1544-009		Cotter Pin 5/32" Dia. x 1.25" Lg.*	
12	712-0206		Hex Nut 1/2-13 Thd.*	
13	736-0921		L.-Wash. 1/2" I.D.*	
14	734-1036		Swivel Caster Wheel 5" Dia. x 1.25"	
15	14571 --- 488		Caster Arm Ass'y.	
16	710-0726		Hex Wash. Hd. "AB" Tap Scr. 5/16" x .75" Lg.	
17	14529 --- 488		Caster Arm Bracket	
19	734-1035		Wheel Ass'y. Comp. 12" x 3" (692, 693 & 694) (Incl. Ball Bearings)	
	734-1044		Wheel Ass'y. Comp. 11" x 4" (24695 Only)	
	741-0313		Bearings (24695 Only)	
20	736-0159		Fl.-Wash. 3/4" I.D. x .87" O.D.	
21	710-0170		Hex Locking Bolt 5/16-24 x .62" Lg.	
22	736-0162		Fl.-Wash.	
23	712-0267		Hex Nut 5/16-18 Thd.*	
24	736-0119		L.-Wash. 5/16" I.D.*	
25	736-0119		L.-Wash. 5/16" I.D.*	
26	712-0267		Hex Nut 5/16-18 Thd.*	
27	710-0118		Hex Bolt 5/16-18 x .75" Lg.*	
28	14561		Index Plate	
29	09966		Hand Knob	
30	710-0118		Hex Bolt 5/16-18 x .75" Lg.*	
31	720-0142		Fl.-Grip Vinyl	
32	14552		Height Adj. Handle	
34	749-0481		Lower Handle	
35	710-0487		Carriage Bolt 5/16-18 x 2.0" Lg.	

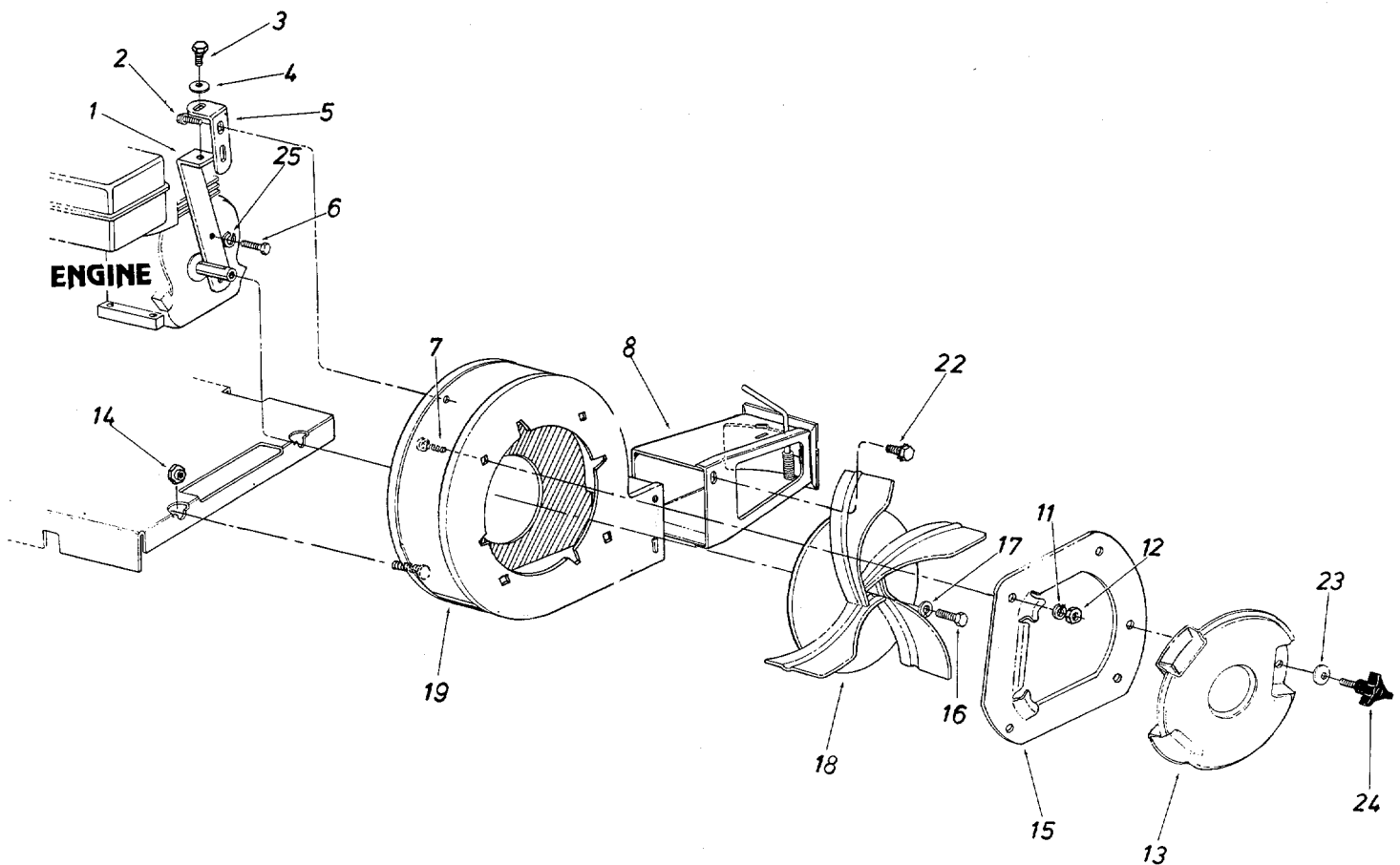
*For faster service obtain standard nuts, bolts and washers locally. If these items cannot be obtained locally, order part number and size as shown on parts list.

(488 - Mack Truck Yellow) When ordering parts if color or finish is important, use color code
(497 - Yard-Man Red) Shown at left (e.g. Mack Truck Yellow Finish - 14542 (488).)

The engine is not under warranty by the leaf blower manufacturer. If repairs or service is needed on the engine, please contact your nearest authorized engine service outlet. Check the "Yellow Pages" of your telephone book under "Engines - Gasoline".



Models 692, 693, 694 and 24695



PARTS LIST FOR LEAF BLOWER MODELS 692, 693, 694 and 24695

Ref. No.	Part No.	Color Code	Description	New Part	Ref. No.	Part No.	Color Code	Description	New Part
1	14539		Engine Housing Brace Ass'y.		14	711-0758		Hex Shoulder Nut .50" I.D.	
2	710-0600		Hex Self Tap Scr. 5/16" x .50" Lg.		15	14563 --- 488		Nozzle Plate Ass'y.	
3	710-0118		Hex Bolt 5/16-18 x .75" Lg.*		16	710-0191		Hex Bolt 3/8-24 x 1.25" Lg.*	
4	736-0119		L.-Wash. 5/16" I.D.*		17	736-0217		L.-Wash. 3/8" I.D. HD.	
5	14541		Right Angle Bracket		18	14536 --- 488		Air Vane Plate Ass'y.	
6	710-0627		Hex Locking Bolt 5/16-24 x .75"		19	14496 --- 488		Blower Housing Ass'y. - Comp.	
7	710-0260		Carriage Bolt 5/16-18 x .62" Lg.*		22	710-0259		Hex Sems Bolt 5/16-18 x .62" Lg.*	
8	14479 --- 488		Directional Discharge Ass'y.		23	736-0242		Belleville Wash. 3/4" I.D. x .87" O.D.	
11	736-0119		L.-Wash. 5/16" I.D.*		24	720-0170		3-Arm Thumb Scr. 5/16-18 x .75" Lg.	
12	712-0267		Hex Nut 5/16-18 Thd.*		25	736-0271		L.-Wash. 5/16" I.D.*	
13	731-0608		Blower Guard						

*For faster service obtain standard nuts, bolts and washers locally. If these items cannot be obtained locally, order part number and size as shown on parts list.

(488 - Mack Truck Yellow) When ordering parts if color or finish is important, use color code (497 - Yard-Man Red) Shown at left (e.g. Mack Truck Yellow Finish - 14542 (488).)

The engine is not under warranty by the leaf blower manufacturer. If repairs or service is needed on the engine, please contact your nearest authorized engine service outlet. Check the "Yellow Pages" of your telephone book under "Engines - Gasoline".



TROUBLE SHOOTING CHART

PROBLEM	CAUSE	REMEDY
1. Excessive vibration.	A. Bent crankshaft. B. Vane plate out of balance	A. Replace crankshaft (should be done by an authorized service dealer). B. Replace vane plate.
2. Height Adjustment slips out of lockout position.	A. Handle bent.	A. Replace index handle and index plate.
3. Engine Fails to Start.	A. Check fuel tank for gas. B. Spark plug lead wire disconnected. C. Faulty spark plug.	A. Fill tank if empty. B. Connect lead wire. C. Spark should jump gap between control electrode and side electrode. If spark does not jump, replace the spark plug.
4. Hard Starting or loss of power.	A. Spark plug wire loose. B. Dirty air cleaner.	A. Connect and tighten spark plug wire. B. Clean air cleaner as described in engine manual.
5. Engine Overheats.	A. Carburetor not adjusted properly. B. Air flow restricted. C. Engine oil level low.	A. Adjust carburetor. See engine manual. B. Remove blower housing on engine and clean as described in the engine manual. C. Fill crankcase with the proper oil.

NOTE: For repairs beyond the minor adjustments listed above, please contact your local service dealer.

PARTS INFORMATION

POWER EQUIPMENT PARTS AND SERVICE

Parts and service are available through the authorized service firms listed below. All orders should specify the model number of your unit, part numbers, description of parts and the quantity of each part required.

BRIGGS AND STRATTON, TECUMSEH AND PEERLESS PARTS AND SERVICE

Briggs & Stratton, Tecumseh and Peerless parts and service should be handled by your nearest authorized engine service firm. Check the yellow pages of your telephone directory under the listing **Engines—Gasoline**, Briggs & Stratton or Tecumseh Lauson.

NOTE: If any parts are found to be missing or defective upon assembly of this unit, write to advise the factory so that immediate replacement can be made.

ALABAMA	BIRMINGHAM	NORTH CAROLINA	GOLDSBORO
Auto Electric & Carburetor Co.	2625 4th Ave. S.	Smith Hardware Co.	515 N. George St.
ARKANSAS	NORTH LITTLE ROCK	Dixie Sales Company	GREENSBORO
Sutton's Lawn Mower Shop	5301 Roundtop Drive	OHIO	335 N. Green
	Box 368, Rt. 4	Stebe's Mid-State Mower Supply	CARROLL
CALIFORNIA	PORTERVILLE	Bleckrie, Inc.	Box 366, 71 High St.
Billious	75 North D Street	National Central	CLEVELAND
COLORADO	DENVER	Burton Supply Co.	7900 Lorain Ave.
Spitzer Industrial Products Co.	6601 N. Washington St.	OKLAHOMA	WADSWORTH
		Victory Motors, Inc.	687 Seville Rd.
FLORIDA	JACKSONVILLE	OREGON	YOUNGSTOWN
Radco Distributors	4909 Victor St.	Kenton Supply Co.	1301 Logan Ave.
	Box 5459	PENNSYLVANIA	Box 929
Small Eng. Dist.	OPA LOCKA	ECCO Inc.	MUSKOGEE
GEORGIA	EAST POINT	Thompson Rubber Co.	605 S. Cherokee
East Point Cycle & Key	2834 Church St.	Bluemont Co.	PORTLAND
ILLINOIS	LYONS	Frank Roberts & Sons	8216 N. Denver Ave.
Keen Edge Co.	8615 Ogden Ave.	Scranton Auto Ignition Co.	4021 N. 6th St.
INDIANA	ELKHART	TENNESSEE	HARRISBURG
Parts & Sales Inc.	2101 Industrial Pkwy.	Master Repair Service	4021 N. 6th St.
IOWA	DUBUQUE	American Sales & Service, Inc.	PHILADELPHIA
Power Lawn & Garden Equip.	2551 J.F. Kennedy	Marr Brothers, Inc.	5222-24 N. Fifth St.
LOUISIANA	MONROE	Woodson Sales Corp.	PITTSBURGH
Mid-South Power	1500 Arkansas St.	Bullard Supply Co.	11125 Frankstown Rd.
		Engine House Inc.	PUNXSUTAWNEY
Suhren Engine Co.	NEW ORLEANS	UTAH	R.D. 2
MARYLAND	TAKOMA PARK	A-1 Engine & Mower Co.	SCRANTON
Center Supply Co.	6867 New Hampshire Ave.	VIRGINIA	1133-35 Wyoming Ave.
		RBI Corp.	KNOXVILLE
MASSACHUSETTS	SPRINGFIELD	WASHINGTON	2000 Western Ave.
Morton B. Collins Co.	300 Bernie Ave.	Bailey's Inc.	MEMPHIS
MICHIGAN	LANSING	WASHINGTON	3035-43 Bellbrook
Lorenz Service Co.	2500 S. Pennsylvania	TEXAS	DALLAS
Power Equipment Dist.	MOUNT CLEMENS	Marr Brothers, Inc.	423 E. Jefferson
MINNESOTA	HOPKINS	Woodson Sales Corp.	FORT WORTH
Hance Distributing Inc.	420 Excelsior Ave. W.	Bullard Supply Co.	1702 N. Sylvania
MISSISSIPPI	BILOXI	Engine House Inc.	HOUSTON
Biloxi Sales & Service, Inc.	506 Caillavet St.	SAN ANTONIO	2409 Commerce St.
MISSOURI	KANSAS CITY	P.O. Box 17867	SALT LAKE CITY
Automotive Equip. Service	3117 Holmes St.	UTAH	439 E. 900 So.
		A-1 Engine & Mower Co.	ASHLAND
Ross-Frazier Supply Co.	ST. JOSEPH	VIRGINIA	101 Cedar Run Dr.
	8th and Monterey	RBI Corp.	SEATTLE
Henzler, Inc.	ST. LOUIS	WASHINGTON	1414 14th Ave.
	2015 Lemay Ferry Rd.	Bailey's Inc.	APPLETON
NEW JERSEY	BELLMAWR	WISCONSIN	123 S. Linwood Ave.
Lawnmower Parts Inc.	717 Creek Rd.	Automotive Supply Co.	P.O. Box 798
NEW MEXICO	ALBUQUERQUE	Horst Dist.	CHILTON
Spitzer Eng. & Parts	1023 Third Ave. N.W.		444 N. Madison
NEW YORK	CARTHAGE		
Gamble Dist., Inc.	West End Ave.		
	SCHOHARIE		
Red Fox Parts Dist.	Rt. 30 P.O. Box 527		

WARRANTY PARTS AND SERVICE POLICY

(0483)

The purpose of warranty is to protect the customer from defects in workmanship and materials, defects which are NOT detected at the time of manufacture. It does not provide for the unlimited and unrestricted replacement of parts. Use and maintenance are the responsibility of the customer. The manufacturer cannot assume responsibility for conditions over which it has no control. Simply put, if it's the manufacturer's fault, it's the manufacturer's responsibility; if it's the customer's fault, it's the customer's responsibility.

CLAIMS AGAINST THE MANUFACTURER'S WARRANTY INCLUDES:

1. Replacement of Missing Parts on new equipment.
2. Replacement of Defective Parts within the warranty period.
3. Repair of Defects within the warranty period.

All claims MUST be substantiated with the following information:

1. Model Number of unit involved.
2. Date unit was purchased or first put into service.
3. Date of failure.
4. Nature of failure.

MTD PRODUCTS INC • P.O. BOX 36900 • CLEVELAND, OHIO 44136

Free Manuals Download Website

<http://myh66.com>

<http://usermanuals.us>

<http://www.somanuals.com>

<http://www.4manuals.cc>

<http://www.manual-lib.com>

<http://www.404manual.com>

<http://www.luxmanual.com>

<http://aubethermostatmanual.com>

Golf course search by state

<http://golfingnear.com>

Email search by domain

<http://emailbydomain.com>

Auto manuals search

<http://auto.somanuals.com>

TV manuals search

<http://tv.somanuals.com>