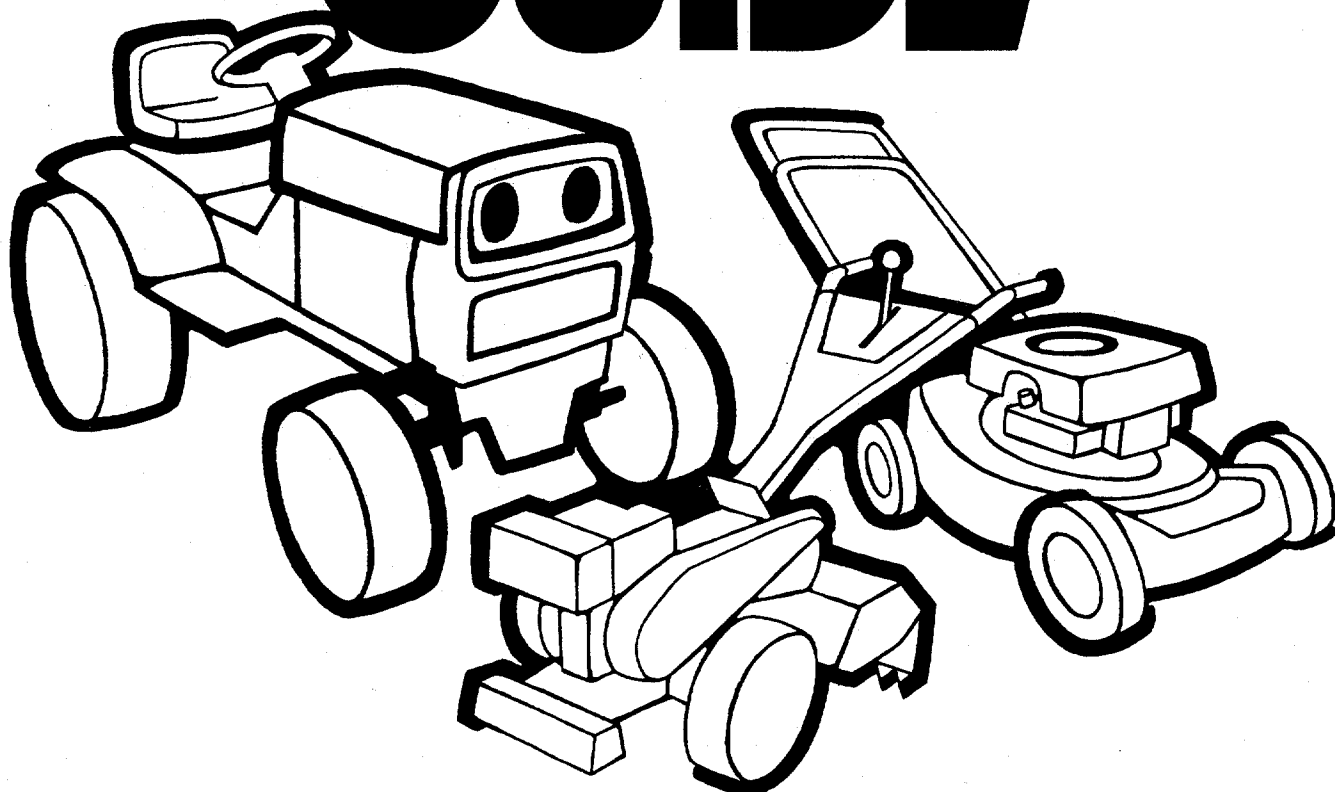


OWNER'S GUIDE



**ASSEMBLY
OPERATION
MAINTENANCE
PARTS LIST**

**IMPORTANT:
Read Safety Rules
and Instructions**

**MODEL NUMBER
130-360A**

**25"
RIDING
MOWER**

INDEX

Safe Operation Practices.....	3	Off-Season Storage.....	14
Assembly Instructions.....	4	Trouble Shooting Chart.....	15
Controls.....	7	Repair Parts Transmission.....	16
Operating Instructions.....	8	Wiring Diagram.....	17
Adjustments.....	9	Repair Parts.....	18
Maintenance.....	10	Wheel Chart.....	25
Belt Replacement.....	11	Parts Information.....	Back Cover

LIMITED WARRANTY

For one year from the date of original retail purchase, MTD PRODUCTS INC will either repair or replace, at its option, free of charge, F.O.B. factory or authorized service firm, any part or parts found to be defective in material or workmanship. Transportation charges for any parts submitted for replacement under this warranty must be paid by the purchaser unless such return is requested by MTD PRODUCTS INC.

This warranty will not apply to any part which has become inoperative due to misuse, excessive use, accident, neglect, improper maintenance, alterations, or unless the unit has been operated and maintained in accordance with the instructions furnished. This warranty does not apply to the engine, motor, battery, battery charger or component parts thereof. Please refer to the applicable manufacturer's warranty on these items.

This warranty will not apply where the unit has been used commercially.

Warranty service is available through your local authorized service dealer or distributor. If you do not know the dealer or distributor in your area, please write to the Customer Service Department of MTD.

The return of a complete unit will not be accepted by the factory unless prior written permission has been extended by MTD.

This warranty gives you specific legal rights. You may also have other rights which vary from state to state.



WARNING

TO PURCHASERS OF INTERNAL COMBUSTION ENGINE EQUIPPED MACHINERY OR DEVICES IN THE STATE OF CALIFORNIA

The equipment which you have just purchased does not have a spark arrester. If this equipment is used on any forest covered land, brush covered land, or grass covered unimproved land in the State of California, before using on such land, the California law requires that a spark arrester be provided. In addition, spark arrester is required by law to be in effective working order. The spark arrester must be attached to the exhaust system and comply with Section 4442 of the California Public Resources Code.

➔ IMPORTANT

It is suggested that this manual be read in its entirety before attempting to assemble or operate. Keep this manual in a safe place for future reference and for ordering replacement parts.

This unit is shipped WITHOUT GASOLINE or OIL. After assembly, see operating section of this manual for proper fuel and amount.

This unit is a precision piece of power equipment, not a plaything. Therefore exercise extreme caution at all times.

SAFE OPERATION PRACTICES FOR RIDING VEHICLES

1. Know the controls and how to stop quickly—
READ THE OWNER'S MANUAL.
2. Do not allow children to operate vehicle. Do not allow adults to operate it without proper instruction. Only persons well acquainted with these rules of safe operation should be allowed to use your mower.
3. Do not carry passengers
4. Keep the area of operation clear of all persons, particularly small children and pets. Stop engine when they are in the vicinity of your mower. Although the area of operation should be completely cleared of foreign objects, a small object may have been overlooked and could be accidentally thrown by the mower in any direction.
5. Clear work area of objects which might be picked up and thrown by the mower in any direction.
6. Disengage all attachment clutches and shift into neutral before attempting to start engine.
7. Disengage power to attachment(s) and stop engine before leaving operating position.
8. Disengage power to attachment(s) and stop engine before making any repairs or adjustments. Disconnect the spark plug wire and keep the wire away from the plug to prevent accidental starting.
9. Before attempting to unclog the mower or discharge chute, stop the engine and be sure the blade(s) have stopped completely. Disconnect the spark plug wire and keep the wire away from the plug to prevent accidental starting.
10. Disengage power to attachment(s) when transporting or not in use.
11. Take all possible precautions when leaving vehicle unattended such as disengaging power-take-off, lowering attachments, shifting into neutral, setting parking brake, stopping engine and removing key.
12. Do not stop or start suddenly when going uphill or downhill. Mow up and down face of steep slopes; never across the face.
13. Reduce speed on slopes and in sharp turns to prevent tipping or loss of control. Exercise extreme caution when changing direction on slopes.
14. Stay alert for holes in terrain and other hidden hazards.
15. Use care when pulling loads or using heavy equipment.
 - A. Use only approved drawbar hitch points.
 - B. Limit loads to those you can safely control.
 - C. Do not turn sharply. Use care when backing.
- D. Use counterweight(s) or wheel weights when suggested in owner's manual.
16. Watch out for traffic when crossing or near roadways.
17. When using any attachments, never direct discharge of material toward bystanders nor allow anyone near vehicle while in operation.
18. Handle gasoline with care. It is highly flammable.
 - A. Use approved gasoline container.
 - B. Never remove cap or add gasoline to a running or hot engine or fill fuel tank indoors. Wipe up spilled gasoline.
 - C. Open doors if engine is run in garage. Exhaust fumes are dangerous. Do not run engine indoors.
19. Keep the vehicle and attachments in good operating condition, and keep safety devices in place. Use guards as instructed in owner's manual.
20. Keep all nuts, bolts, and screws tight to be sure the equipment is in safe working condition.
21. Never store the equipment with gasoline in the tank inside a building where fumes may reach an open flame or spark. Allow engine to cool before storing in any enclosure.
22. To reduce fire hazard, keep engine free of grass, leaves or excessive grease.
23. The vehicle and attachments should be stopped and inspected for damage after striking a foreign object. The damage should be repaired before restarting and operating the equipment.
24. Do not change the engine governor settings or overspeed the engine.
25. When using the vehicle with mower, proceed as follows:
 - (1) Mow only in daylight or in good artificial light.
 - (2) Never make a cutting height adjustment while engine is running if operator must dismount to do so.
 - (3) Shut the engine off and wait until the blade comes to a complete stop before removing the grass catcher.
 - (4) Check blade mounting bolts for proper tightness at frequent intervals.
26. Check grass catcher bags frequently for wear or deterioration. For safety protection, replace only with new bag meeting original equipment specifications.
27. Look behind to make sure the area is clear before placing the transmission in reverse and backing up.

ASSEMBLY

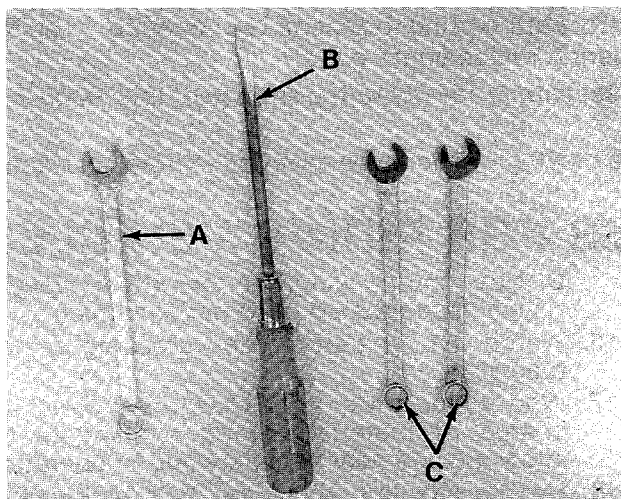


FIGURE 1.

TOOLS REQUIRED FOR ASSEMBLY

← See figure 1.

- A (1) 1/2" Box or Open End Wrench
- B (1) 1/4" Flat Screwdriver
- C (2) 7/16" Box or Open End Wrench

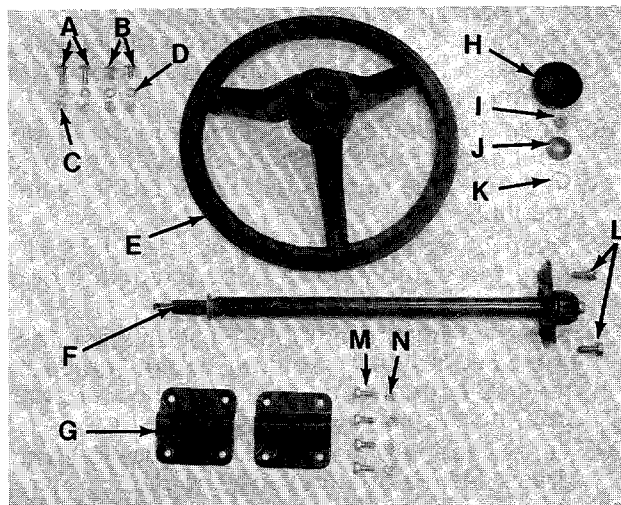


FIGURE 2.

PARTS IN CARTON AND HARDWARE PACK

← See figure 2.

- A (2) Truss Head Screws 1/4-20 x 5/8" Long
- B (2) Truss Head Screws 1/4-20 x 1/2" Long
- C (4) Hex Nuts 1/4-20 Thread
- D (4) Lock Washers 1/4" I.D.
- E (1) Steering Wheel
- F (1) Steering Shaft Assembly
- G (2) Tube Clamps
- H (1) Steering Wheel Cap
- I (1) Hex Nut 5/16-18 Thread
- J (1) Belleville Washer
- K (1) Wave Washer
- L (2) Hex Sems Bolts 5/16-18 x 3/4" Long
- M (4) Hex Bolts 1/4-20 x 5/8" Long
- N (4) Hex Lock Nuts 1/4-20 Thread



NOTE

Reference to right-hand or left-hand side of machine is from the driver's seat facing forward.



CAUTION

Do not use rear plastic cover to lift unit.

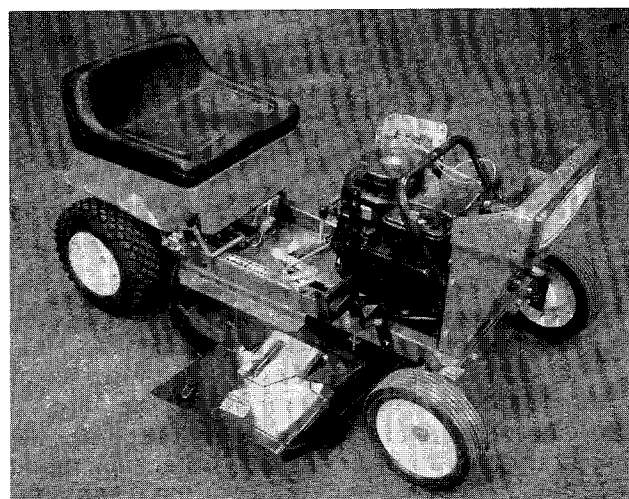
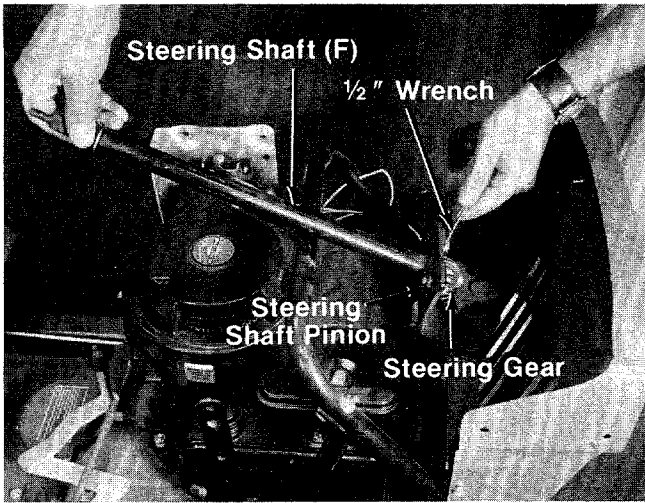


FIGURE 3.

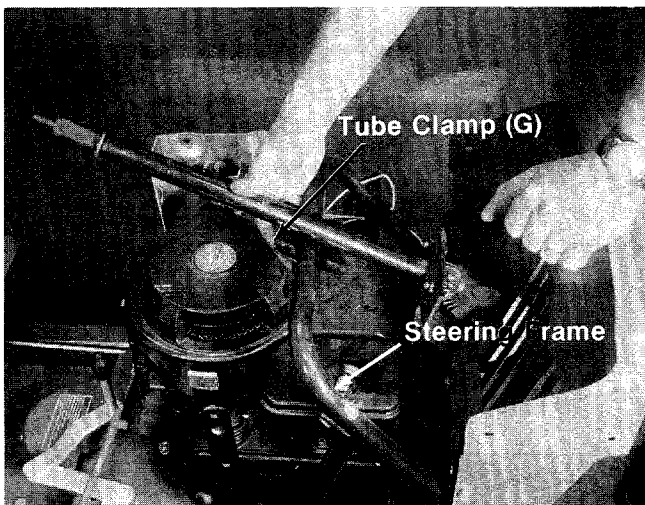
TIRE PRESSURE

FOR SHIPPING PURPOSES, THE TIRES ON YOUR UNIT MAY BE OVER-INFLATED. TIRE PRESSURE SHOULD BE REDUCED BEFORE UNIT IS PUT INTO OPERATION. PRESSURE SHOULD BE APPROXIMATELY 15 P.S.I. EQUAL TIRE PRESSURE SHOULD BE MAINTAINED. MAXIMUM TIRE PRESSURE 30 P.S.I.



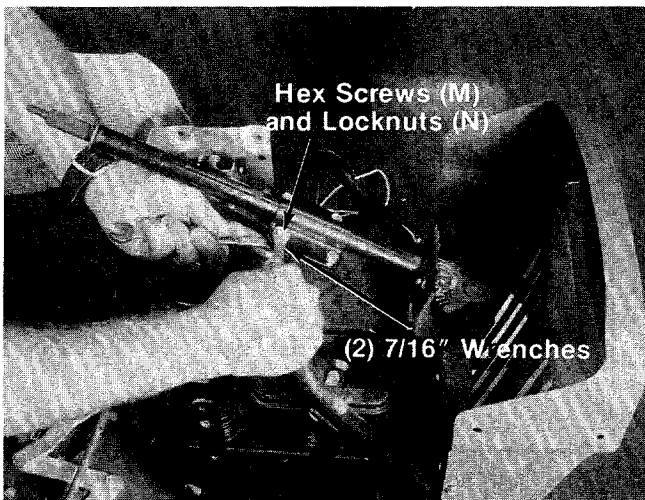
- ← 1. Place steering shaft (F) pinion in steering gear and fasten with two hex sems bolts (L). A 1/2" wrench is required. See figure 4.

FIGURE 4.



- ← 2. Place one tube clamp (G) under steering frame. See figure 5.

FIGURE 5.



- ← 3. Place the other tube clamp (G) on top of steering shaft and secure with four hex screws (M) and hex lock nuts (N). Two 7/16" wrenches are required. See figure 6.

FIGURE 6.

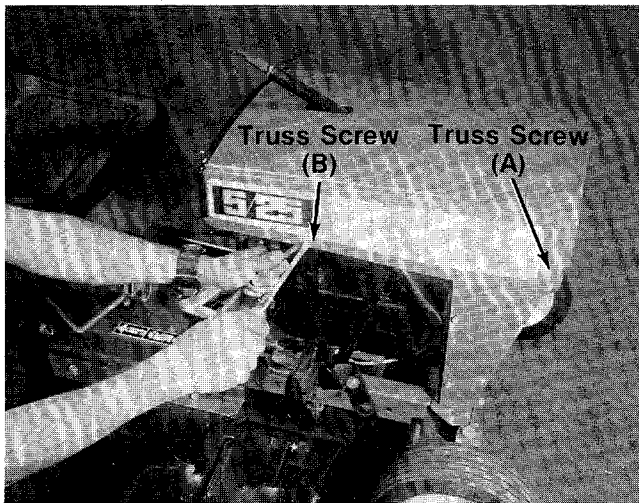


FIGURE 7.

4. Assemble the hood with 5/8" truss screws (A) to the rear of hood, and the 1/2" long truss screws (B) to the front of hood. Fasten with lock washers (D) and hex nuts (C) to the inside. See figure 7.

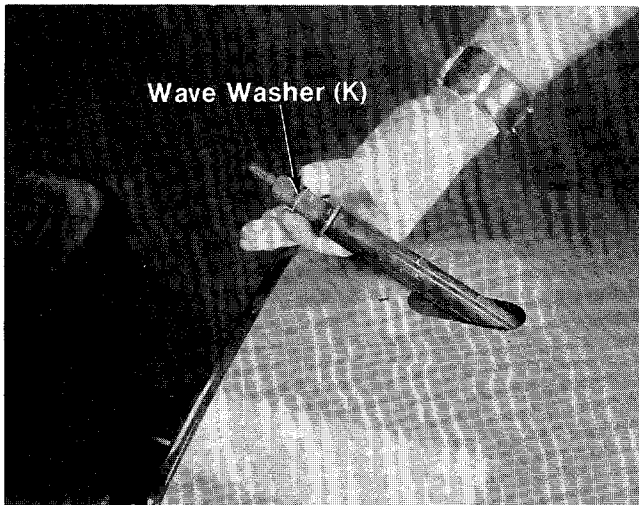


FIGURE 8.

5. Place wave washer (K), steering wheel (E), belleville washer (J), over end of steering shaft and secure with hex nut (I), using a 1/2" wrench. See figures 8 and 9.

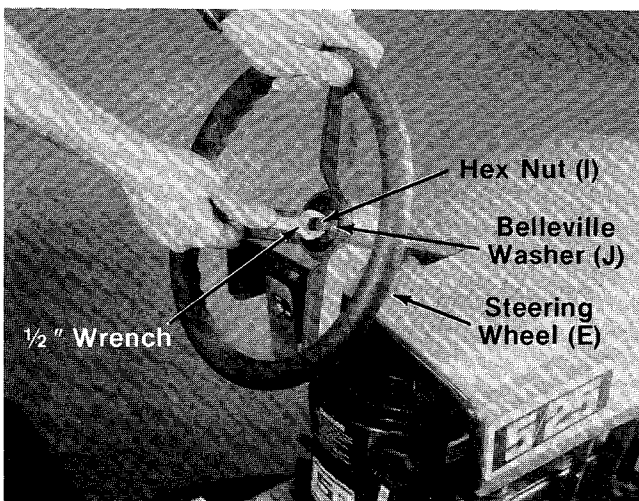
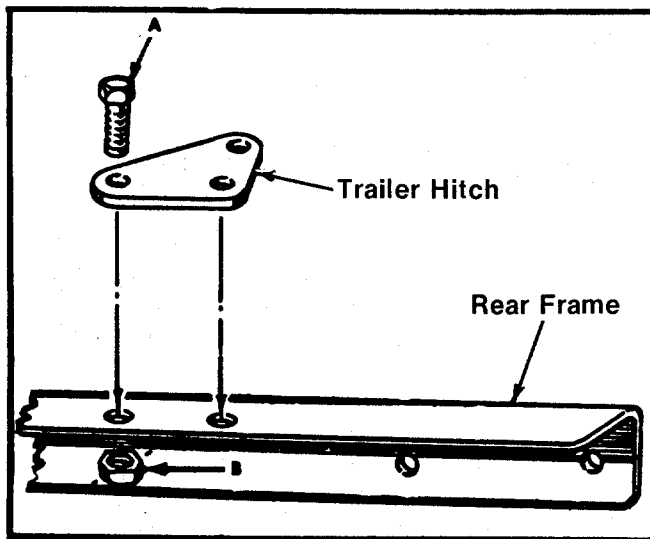


FIGURE 9.

NOTE

It may be necessary to reach inside the hood and push up on steering shaft to get the steering wheel on.

6. Place steering wheel cap (H) in position and press by hand.



7. Position the trailer hitch on the center of the rear frame section and fasten with bolts A and nuts B. See figure 10.
8. Check ALL nuts and bolts for correct tightness.

FIGURE 10. TRAILER HITCH

CONTROLS

The controls on your mower may be considered as the Throttle Control, Recoil Starter Handle, Ignition Key, Blade Engagement Lever, Brake Pedal, Clutch Pedal and the Gear Shift Lever.

- A. Throttle Control actuates the butterfly in the carburetor and may be set at "CHOKE", "FAST" or "SLOW." See figure 11.

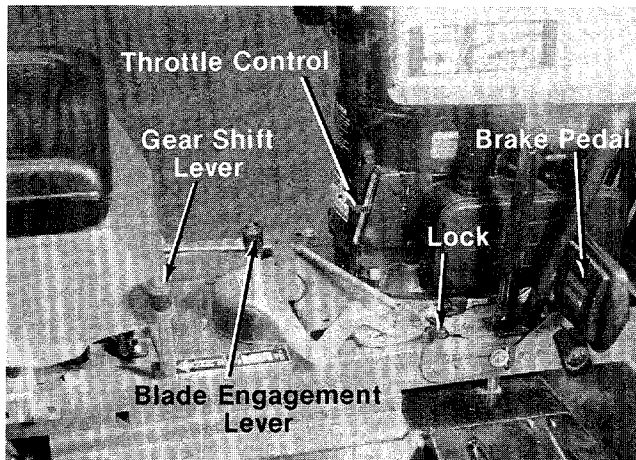


FIGURE 11.

- B. The Recoil Starter Handle is located on the left hand side of the hood. To operate the Recoil Starter Handle, twist it until it is in the horizontal position and pull to start the engine. After the engine starts, return the Recoil Starter Handle to the mounting bracket and turn it to the vertical position as shown in figure 12.

NOTE

The clutch must be disengaged, the blade must be disengaged and the ignition key must be on before the engine will start.

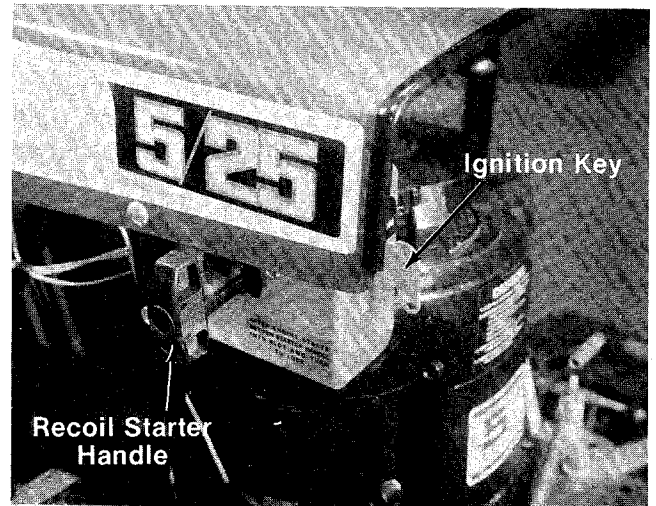


FIGURE 12.

- C. The Ignition Key must be turned to the right to the "ON" position before the Recoil Starter Handle is pulled to start the engine. Turn the Ignition Key to the left to the "OFF" position to stop the engine. See figures 12 and 13.
- D. The Blade Engagement Lever engages and disengages the blade. Pull the Blade Engagement Lever back to stop the blade. Move the Blade Engagement Lever forward to engage the blade. See figure 11.



NOTE

Engage the Blade Engagement Lever slowly.

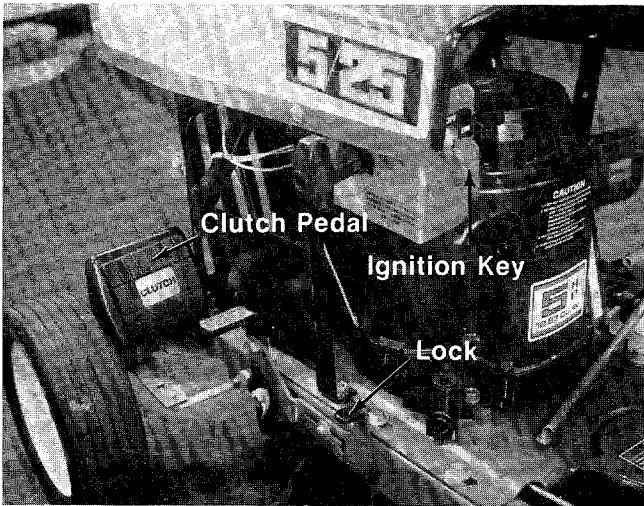


FIGURE 13.

E. The Gear Shift Lever is used to select either forward or reverse. See figure 11.



NOTE

Do not shift gears while in motion.

F. The Clutch Pedal is operated with your left foot. The Clutch Pedal, when depressed, disengages the engine from the transmission so you can stop the movement of the rider mower to shift gears. The Clutch Pedal can be locked in the DISENGAGED position by depressing the Clutch Pedal and lifting the clutch lock with your left hand. To release the Clutch Pedal, depress it with your foot. See figure 13.

G. The Brake Pedal is operated with your right foot and is used to stop the forward or reverse motion of the rider. To engage the brake, depress the Brake Pedal with your right foot. To set the parking brake, depress the brake and lift the lock. To release, depress the brake pedal. See figure 11.



CAUTION

Parking brake **must** be disengaged before unit is put into motion.



NOTE

Unit is equipped with separate brake and clutch pedals. To efficiently stop, it is necessary to disengage clutch when applying brakes.

OPERATING INSTRUCTIONS

CAUTION

1. KEEP ALL SHIELDS & GUARDS IN PLACE
2. BEFORE LEAVING OPERATOR'S POSITION:
SHIFT CONTROLS INTO NEUTRAL
SET PARKING BRAKE
DISENGAGE ATTACHMENT DRIVE
SHUT ENGINE OFF
REMOVE IGNITION KEY
3. WAIT FOR ALL MOVEMENT TO STOP BEFORE SERVICING MACHINE
4. KEEP PEOPLE & PETS A SAFE DISTANCE AWAY FROM MACHINE

CAUTION

DO NOT OPERATE MOWER UNLESS GUARD OR ENTIRE GRASS CATCHER IS IN ITS PROPER PLACE.

STARTING THE ENGINE

1. Be sure the crankcase is filled with oil as recommended in the engine manual. Put regular gasoline in the gasoline tank.
2. Attach the wire to the spark plug.
3. Depress the Brake Pedal and lock it down with lock. See figure 11.
4. Depress the Clutch Pedal and lock it down with lock. See figure 13.
5. Place the Gear Shift Lever in "NEUTRAL" (N) position. See figure 11.
6. Place the Blade Engagement Lever in the "OFF" disengaged position. See figure 11.
7. Place the Throttle Control Lever in the "CHOKE" position. See figure 11.
8. Turn the Ignition Key to "ON" position. See figure 12.
9. Twist the Recoil Starter Handle until it is free and pull it with a quick steady motion. After the engine starts, return the Recoil Starter Handle and twist it until it locks. See figure 12.
10. Slowly return the throttle to the running position as soon as the engine starts.

NOTE

If the Recoil Starter Handle is **not locked** after engine starts, putting the rider into motion will stop the engine.

PUTTING THE RIDER IN MOTION

1. Advance the Throttle Control from $\frac{3}{4}$ to FULL throttle to prevent strain on the engine and to operate the cutting blade.
2. Depress the Clutch Pedal so the clutch lock releases.
3. Depress the Brake Pedal so the brake lock releases.
4. Place the Gear Shift Lever in the "FORWARD" position.
5. Slowly release the Clutch Pedal.
6. To stop the rider, depress the clutch and brake pedals.
7. The blade can be engaged either while moving or while standing still. Move the Blade Engagement Lever forward slowly until the blade is running.

STOPPING

Engine—Turn the Ignition Key to the left to the "OFF" position.

Rider—Depress the clutch and brake pedals.

Blade—Move the Blade Engagement Lever all the way to the rear of unit.

IMPORTANT

After striking a foreign object, stop the engine. Remove wire from spark plug, thoroughly inspect the mower for any damage, and repair the damage before restarting and operating the mower.

ADJUSTMENTS

1. The height adjustment for the cutting blade is made by removing the front axle bolts and moving the front wheels to one of the four cutting positions. See figure 14.

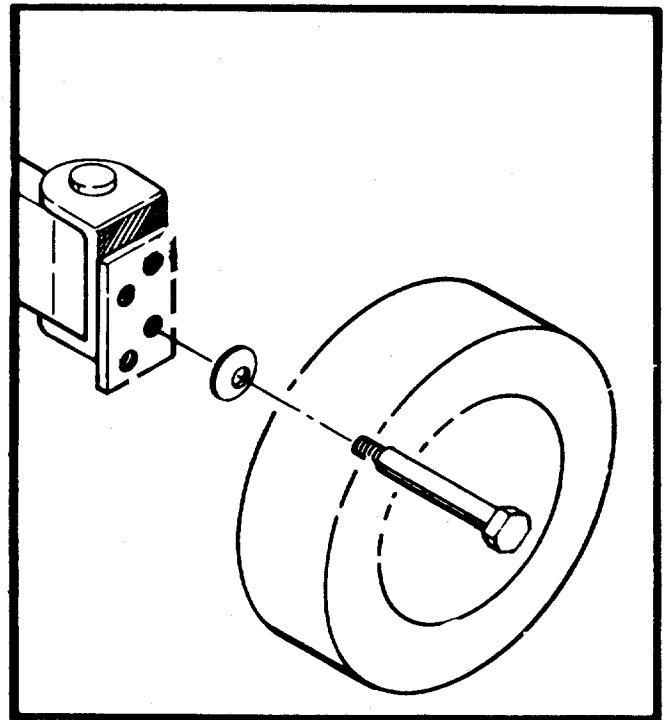


FIGURE 14. FRONT WHEEL ADJUSTMENT

2. The height adjustment on the rear wheels is made by removing the bolt on the height adjustment on each side of the rear axle and selecting one of the four positions. See figure 15.

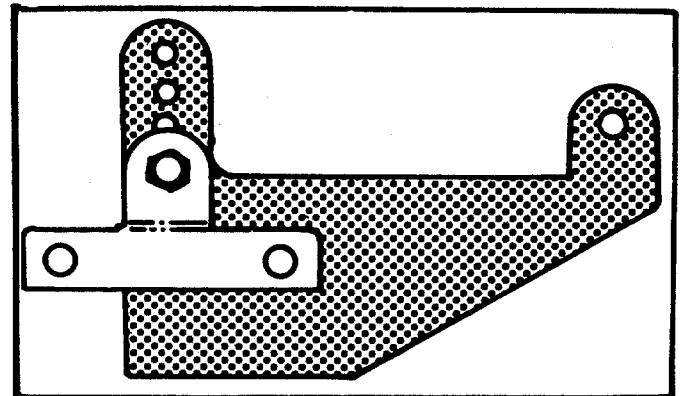


FIGURE 15. REAR WHEEL ADJUSTMENT



WARNING

If any adjustments are made to the engine while the engine is running (e.g. carburetor), disengage all clutches and blades. Keep clear of all moving parts. Be careful of heated surfaces and muffler.

MAINTENANCE

CRANKCASE OIL



WARNING

Remove the spark plug lead before performing any maintenance on the machine.

a. Oil Check

Check the oil level in the crankcase before each use of the machine and after every two hours of operation. Keep the oil level to the overflowing point. See figure 16.

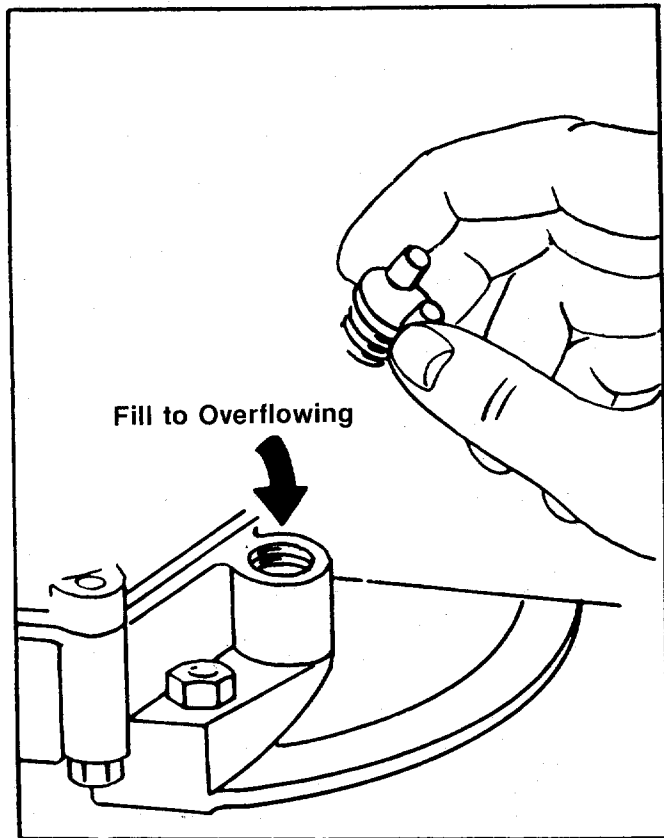


FIGURE 16. OIL FILL

b. Oil Change

After the first two hours of operating a new engine, drain the oil from the crankcase while the engine is still hot and refill the crankcase with new oil; thereafter, change the oil after every 25 hours of operation. This procedure ensures minimum wear of engine parts and provides virtually trouble-free operation. To change the oil, proceed as follows:

- Step 1. With the machine on level ground, place a suitable metal container under the oil drain plug located on the front of the engine. See figure 17.
- Step 2. After the oil has been drained completely from the crankcase, replace the drain plug and tighten.
- Step 3. With the machine on level ground, remove the oil filler plug. See figure 16. Fill the crankcase until the oil overflows from the oil fill hole. Fill slowly to avoid air locks. The crankcase holds approximately 1 $\frac{3}{4}$ pints of good quality SAE 30 type MS engine oil. Replace the oil filler plug.

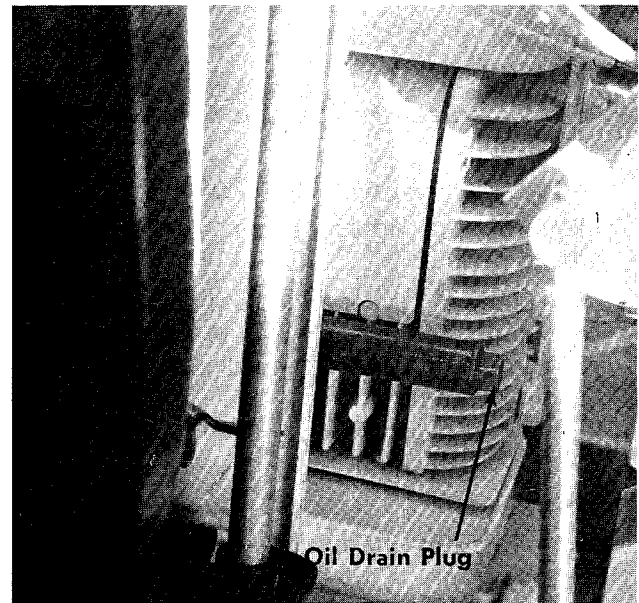


FIGURE 17. OIL DRAIN
LUBRICATION

- Steering Gears.** Lubricate with multi-purpose automotive type grease once a season.
- Front Wheel Bearings.** Once a season, remove the front axle bolts and coat the axle with a multi-purpose automotive type grease and reassemble. See figure 18.
- King Pins.** Lubricate the king pins after every 25 hours of operation with SAE 30 oil. Wipe up excessive oil with a rag. See figure 18.
- Rear Axle Bearings.** Lubricate the rear axle bearings after every 25 hours of operation with SAE 30 oil. Wipe up excessive oil with a rag. See figure 19.
- Chain.** Remove the chain once each season, clean in kerosene, dry and lubricate with a rag saturated in SAE 30 oil. See figure 19.
- Transmission.** The transmission has been lubricated at the factory and does not need to be checked.

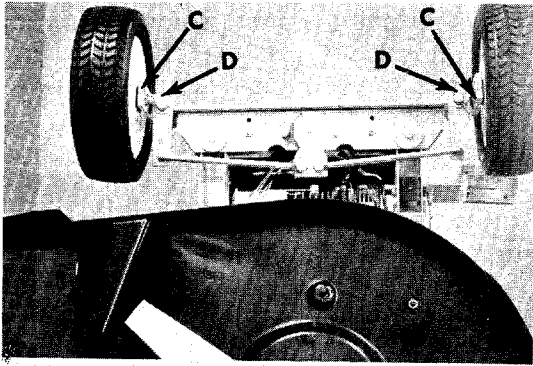


FIGURE 18. LUBRICATION

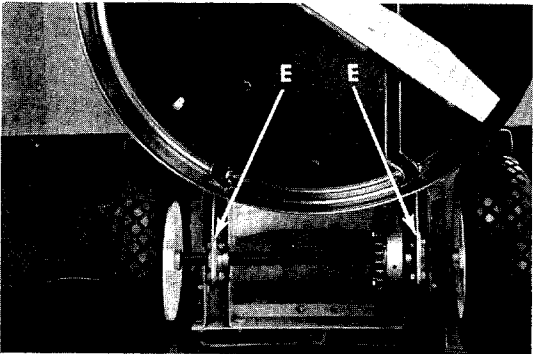


FIGURE 19. LUBRICATION

BRAKE ADJUSTMENT

The brake adjustment is made by tightening the hex nut on the brake band to compensate for wear. Turn the hex nut one half turn and test the brakes. Repeat until the brake is adjusted. See figure 20.

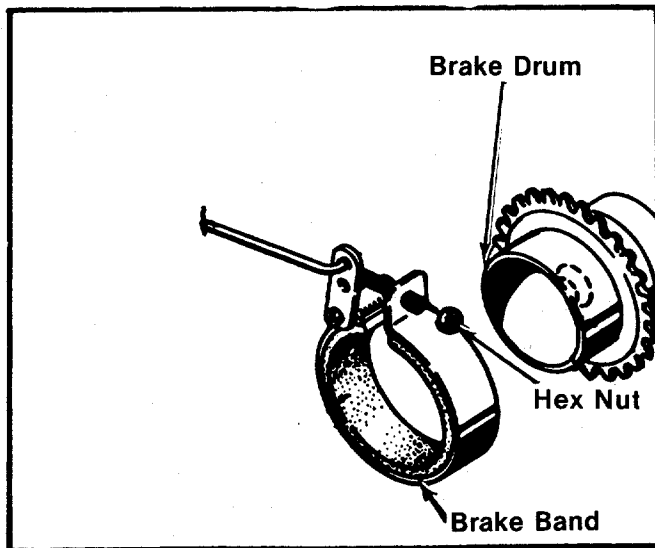


FIGURE 20. BRAKE ASSEMBLY

CHAIN ADJUSTMENT

The chain may require adjustment after a period of use. Chain adjustment may also be necessary when the height adjustment is changed. The chain is adjusted as follows:

- Step 1. Loosen elastic lock nuts on two rear adjustment wheel hanger supports.
- Step 2. Move rear axle assembly forward or backward as needed to make the proper adjustment.
- Step 3. Tighten elastic lock nuts securely. See figure 21.

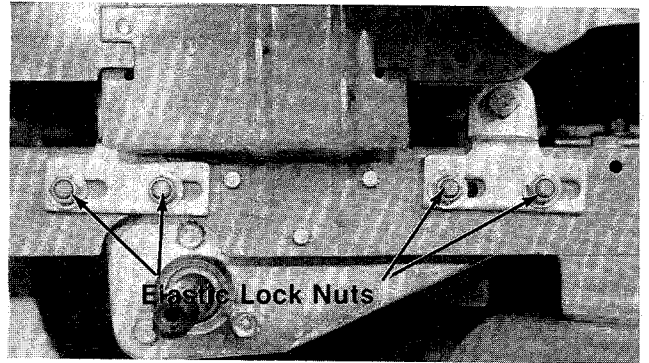


FIGURE 21. CHAIN ADJUSTMENT
REAR WHEELS



CAUTION

Installation of tire to rim:

1. Lubricate tire beads and rim flanges.
2. Do not exceed 30 P.S.I. when seating beads.
3. Adjust to recommended pressure after beads are sealed.

BELT REPLACEMENT



NOTE

If there is gasoline in the gasoline tank, place a piece of thin plastic under the gas cap and tighten the gas cap securely.

TRANSMISSION BELT REPLACEMENT

- Step 1. Lift the front end of the rider up so it rests on the rear wheels and seat.



Disconnect the spark plug wire and ground it against the engine block.

Step 2. Remove the blade by removing the hex head cap screw in the center of the blade. Hold the blade with one hand and using a $\frac{1}{2}$ " open end, box or adjustable wrench, remove the bolt. See figure 22.



NOTE

Wrap a rag around the blade to protect your hand.

Step 3. Take off the deck by removing the six hex nuts and lock washers as shown in figure 23.

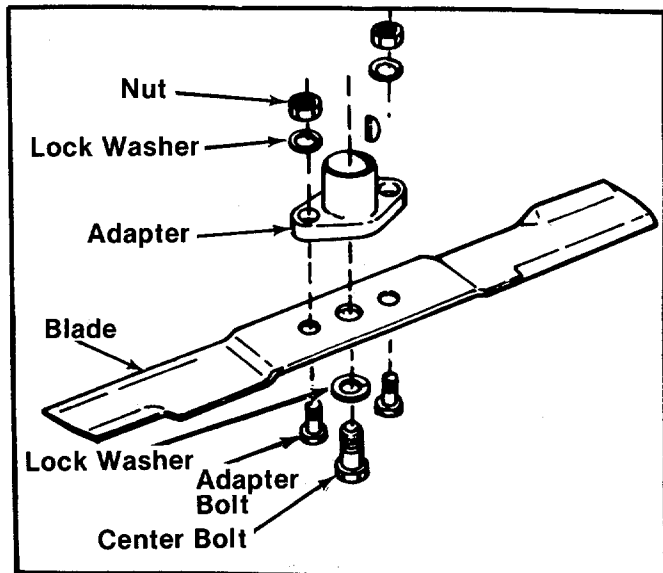


FIGURE 22. BLADE REMOVAL

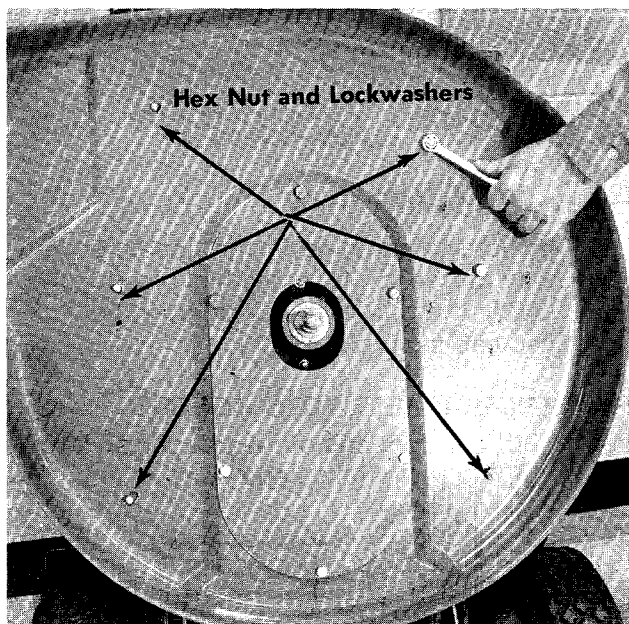


FIGURE 23. REMOVING THE DECK

Step 4. Remove the transmission belt from the engine pulley. It may be necessary to spring the belt guard out of the way. When installing the new belt be sure to put the belt guard back in the original position. See figure 24.

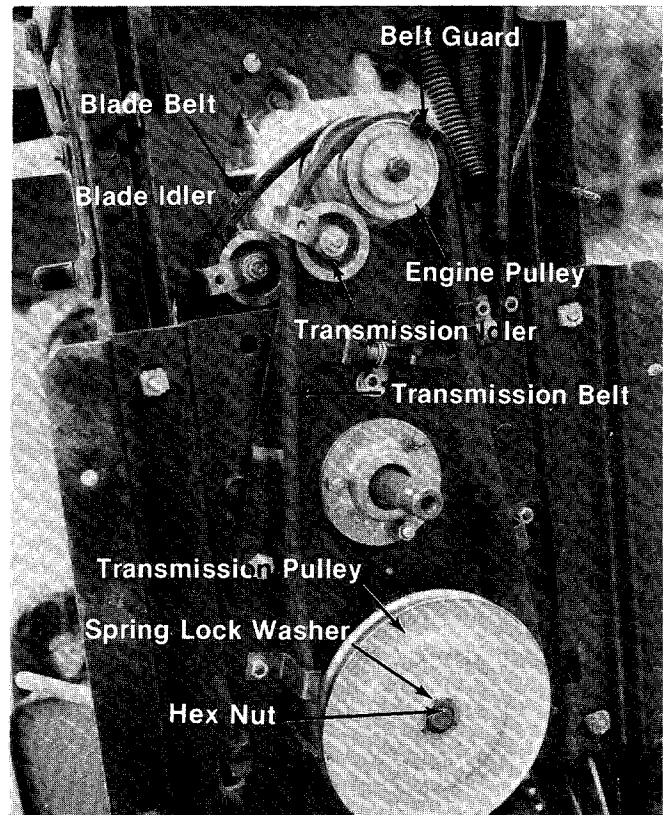


FIGURE 24. BELT SYSTEM

Step 5. Remove the belt from the transmission idler. See figure 25.

Step 6. Remove hex nut and spring lock washer on the transmission pulley and slide the pulley out until the belt can be removed. See figure 24.

Step 7. Replace belt and reassemble.

BLADE BELT REPLACEMENT

Step 1. Lift the front end of the rider up so it rests on the rear wheels and seat. Block the mower under the steering wheel to help support the mower.

Step 2. Remove the blade by removing the hex head cap screw in the center of the blade. Hold the blade with one hand and using a $\frac{1}{2}$ " open end, box or adjustable wrench, remove the bolt. See figure 22.

NOTE

Wrap a rag around the blade to protect your hand.

- Step 3. Take off the deck by removing the six hex nuts and lock washers as shown in figure 23.
- Step 4. Remove the transmission belt from the engine pulley. See figure 24.
- Step 5. Place the blade engagement lever in the engaged position (see figure 25) and loosen the center lock nut on the blade idler. See figure 26.

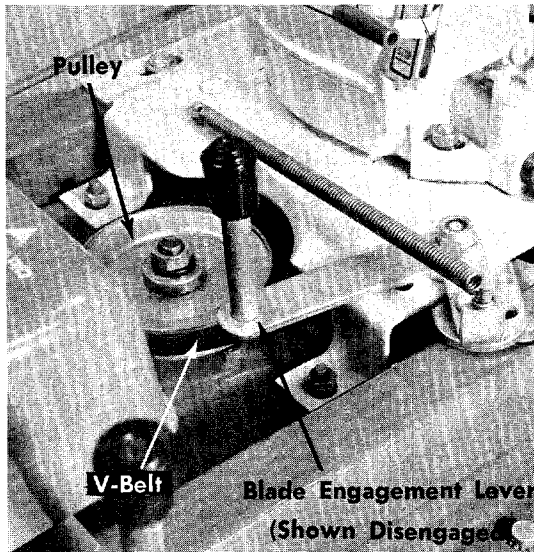


FIGURE 25. BLADE ENGAGEMENT LEVER

NOTE

It may be necessary to spring the belt guard out of the way. When installing the new belt be sure to put the belt guard back in the original position. See figure 24.

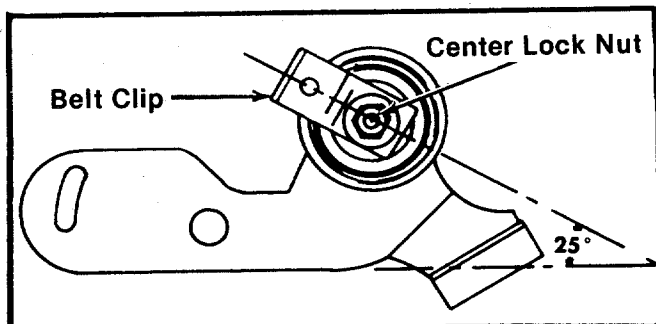


FIGURE 26. BELT IDLER

NOTE

Use a 1/2" open end wrench. When installing the new belt be sure the belt clip is in the same position as shown in figure 26.

- Step 6. With the blade engagement lever in the disengaged position, remove the blade belt from the engine pulley.
- Step 7. Remove the belt guard on the blade spindle pulley. Unhook the belt from the pulley.
- Step 8. Pull the belt through from the bottom side. Move the blade engagement lever between the engaged position and the disengaged position as you remove the belt.
- Step 9. Install the new belt and reassemble.

BELT TROUBLE SHOOTING

CREEPING OR BELT WEAR. See figure 24.

The position of the belt clip on the idler bracket assembly is important for proper operation of your mower. Improper position of the belt clip can cause damage to the belt or it can allow the mower to "creep" when the clutch pedal is not depressed. Proper positioning will not allow the belt clip to touch the belt when the belt is tightened. It also "traps" the belt away from the engine pulley when the belt is loose. The drawing at left shows the correct position for the belt clip. Adjustment is made by loosening the hex nut, adjusting belt clip to position shown and retightening hex nut securely.

BELT WEAR— Pulleys

For proper belt wear, all pulleys, including the idler pulley, must be on the same plane. Improper alignment will cause rapid belt wear.

DRIVE PULLEYS. See figure 24.

Alignment may be made by removing the deck. Check alignment with a straight edge. The transmission pulley is held in place with a hex nut and lock washer. It should not need adjustment. The engine pulley is held in position by a hex head bolt and washers. The idler bracket assembly is held in position by a shoulder bolt. If realignment is needed, it is necessary to bend bracket up or down as alignment requires. Care must be taken not to damage the belt clip.

BLADE PULLEYS

Raise front of mower approximately a foot off the ground and support it with blocks. Sight down blade belt from front of mower. Note if blade idler pulley is in line with blade spindle pulley and top section of engine pulley. If alignment is necessary, bend idler bracket assembly up or down as needed. Do not damage or bend belt clip on idler bracket assembly.

BELT WEAR—Belt Guards and Clips. See figure 24.

Belt guards and clips if improperly positioned will cause premature belt wear. All belt guards and clips must completely clear the belt when the belt is tightened. They should also assist in freeing the belt from the engine pulley when the belt is loose. The belt clip on the blade idler bracket assembly may be checked by removing the top belt guard. Observe belt and pulley action while operating the blade disengage lever. The belt clip on the drive idler bracket assembly may be checked by removing the inspection plate under the deck. Observe belt and pulley action while operating the clutch pedal.

CREEPING. See figure 24.

“Creeping” may be caused if the idler bracket assembly does not move all the way back when the clutch pedal is released. This may be caused by insufficient spring pressure, a bent clutch control rod or a binding idler bracket. Check by removing the inspection plate under deck. Observe idler pulley action while operating the clutch pedal. If idler bracket binds, lubricate with an all purpose grease.



NOTE

To insure safe operation of your unit, ALL nuts and bolts must be checked periodically for correct tightness.

OFF-SEASON STORAGE

If the machine is to be inoperative for a period longer than 30 days, the following precautions are recommended:

Step 1. Working outdoors, run the engine until all the fuel is consumed. Use a clean dry cloth to absorb the small amount of fuel remaining in the tank.



WARNING

Do not drain fuel while smoking or if near an open fire.

- Step 2. Drain all the oil from the crankcase (this should be done after the engine has been operated and is still warm) and refill the crankcase with clean new oil.
- Step 3. Disconnect the spark plug wire and remove the spark plug from the cylinder. Pour about six drops of engine oil into the cylinder, and then pull the recoil starter several times to spread the oil on the cylinder wall. Replace the spark plug, but DO NOT connect the wire.
- Step 4. Clean the engine and the entire mower thoroughly.
- Step 5. Lubricate all lubrication points indicated in figure 19; then wipe the entire machine with an oiled rag in order to protect the surfaces.

GRASS CATCHER Model No. 190-015A is available as optional equipment for the mowers shown in this manual.



WARNING

The mower should not be operated without the entire grass catcher or chute deflector in place.



NOTE

Under normal usage bag material is subject to wear, and should be checked periodically. Be sure any replacement bag complies with the mower manufacturer's recommendations.

For replacement bags, use only factory authorized replacement bag, No. 764-0121.

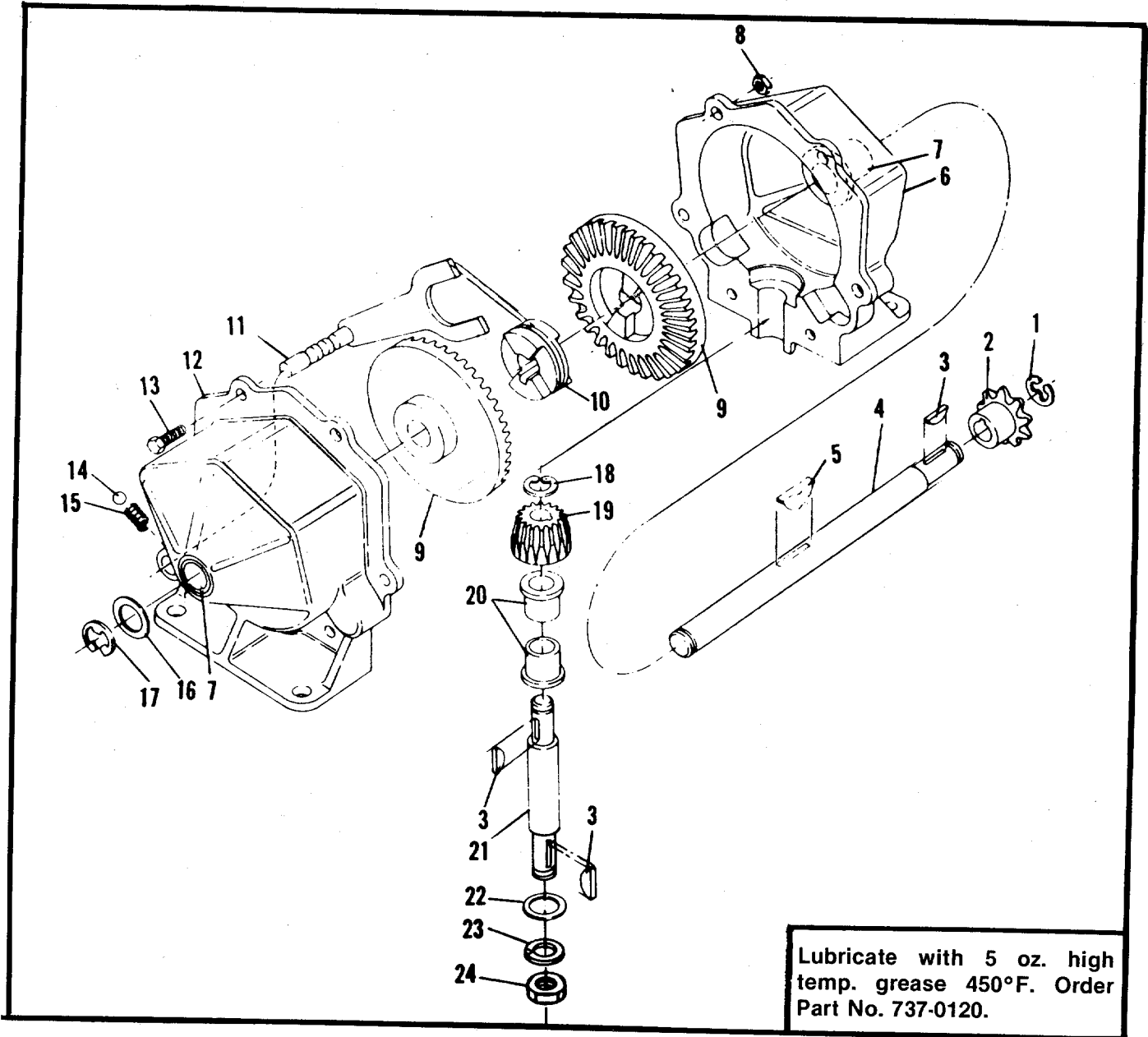
The manufacturer DOES NOT recommend the use of any accessory on these riding mowers other than those manufactured by MTD Products Inc.

TROUBLE SHOOTING CHART FOR RECOIL START MODELS

CAUTION: ALWAYS DISCONNECT SPARK PLUG BEFORE ATTEMPTING ANY REMEDY.

TROUBLE	LOOK FOR	REMEDY
Engine will not start when recoil handle is pulled.	Clutch and blade not disengaged.	Clutch pedal must be depressed and blade must be shut off.
	Ignition key not in the ON position.	Turn on the ignition key.
	Throttle not in the starting position.	Check owner's guide for correct position for throttle control for starting.
	No spark to spark plug.	Spark plug lead disconnected. Connect lead. Hold spark plug lead away from engine block about 1/8". Crank engine. There should be a spark. If not, have the engine repaired at authorized engine service dealer. Faulty spark plug. To test, remove spark plug. Attach spark plug lead to spark plug. Ground spark plug body against the engine block. Crank the engine. The spark plug should fire at the electrode. Replace if it does not.
	No fuel to the carburetor.	Gasoline tank empty. Fill. Fuel valve shut off. Open valve. Valve is located either at the bottom of the fuel tank or on the carburetor. Fuel line is plugged. Remove and clean.
	Air filter dirty.	If the air cleaner is dirty, the engine may not start. Clean or replace as recommended by the engine manufacturer.
	Mechanical failure (wires or switch).	The interlock system includes two mechanical activated switches which are wired in parallel. If the buttons on both switches are not depressed at least 1/8", the magneto will be grounded and the engine will not start. While testing the interlock system, you will make the mower temporarily unsafe by permitting the engine to be started with the blade and clutch engaged. WARNING: While testing, disengage the clutch, shut off the blade control, set the parking brake and place the gear shift lever in neutral. Disconnect the yellow wire where it attaches to the primary wire from the breaker assembly on the engine. Try to start the engine. If the engine does not start , the problem is in the engine (e.g. no fuel or no ignition). If the engine does start, the problem is in the safety system. Check the following: 1. The interlock wire may be grounded by being pinched or rubbing through the insulation. Tape or replace the wire. 2. The bolt on the flat spring behind the recoil starter where the yellow wire attaches must be insulated from the spring. Use a continuity tester. If it is not insulated, remove the bolt and nut, and replace the two fiber washers and reassemble.
Engine stops when the mower blade is engaged or the clutch is released.	Recoil handle is not in proper position.	After the engine starts, the recoil starter handle must be pushed into the dashboard and turned a quarter turn either direction to lock it in place.
Engine smokes.	Engine loses crankcase vacuum.	Dipstick not seated or broken. Replace defective part. Engine breather defective. Replace.
Excessive vibration	Bent or damaged blade spindle	Stop engine immediately. Check all pulleys, blade spindles, blade adapters, keys and bolts for tightness or damage. Tighten or replace any damaged parts.
	Bent blade.	Stop engine immediately. Replace damaged blade. Only use original equipment blades.
Mower will not discharge grass or leaves uncut strips.	Engine speed too low.	Throttle must be set between 3/4 and full throttle.
	Transmission selection.	Use lower transmission gear. The slower your ground speed, the better the quality of cut.
	Blades short or dull.	Sharpen or replace blades (uncut strip problem only).

130-360A

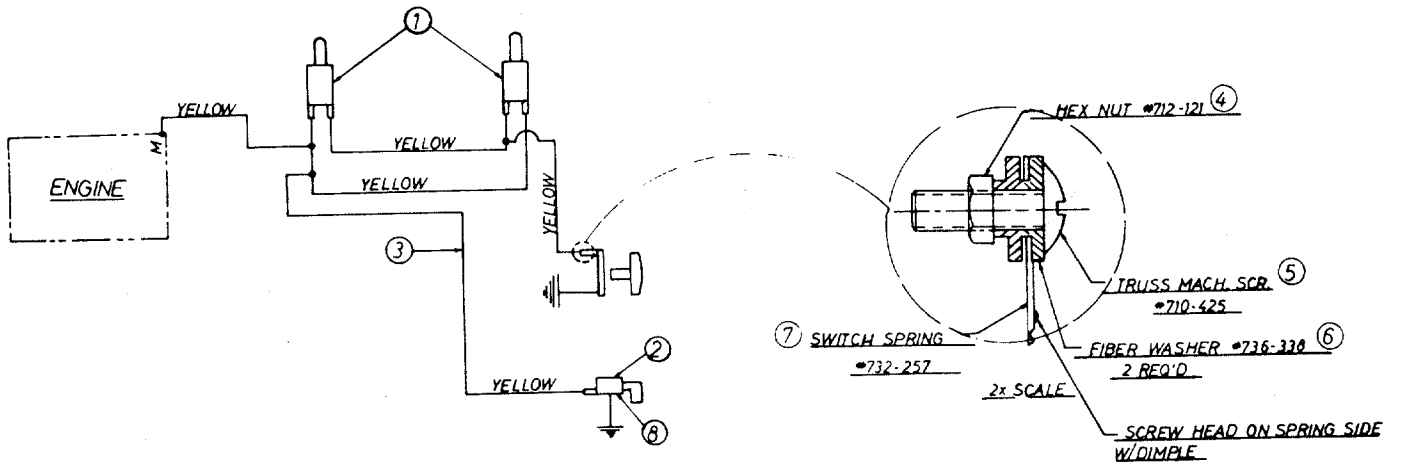


SINGLE SPEED TRANSMISSION PART NO. 717-0223

REF. NO.	PART NO.	COLOR CODE	DESCRIPTION	NEW PART	REF. NO.	PART NO.	COLOR CODE	DESCRIPTION	NEW PART
1	716-0104		Snap Ring		13	710-0195		Hex Hd. Cap Scr. 1/4-28 x .62*	
2	748-0852		Sprocket 8T #41		14	741-0862		Detent Ball	
3	714-0129		Key Hi-Pro #4		15	732-0863		Detent Spring	
4	711-0854		Shaft Output		16	736-0116		Washer	
5	714-0126		Key Hi-Pro #606 (Hardened)		17	716-0106		E-Ring	
6	717-0123		Housing Half		18	716-0865		Snap Ring #3100-50	
7	748-0855		Bearing		19	748-0866		Bevel Pinion	
8	712-0117		Lock Nut 1/4-28 Thd.*		20	748-0867		Bearing	
9	748-0856		Bevel Gear		21	738-0159		Pinion Shaft	
10	748-0857		Clutch Collar		22	736-0192		Washer	
11	08583		Detent Shaft Ass'y.		23	736-0921		Lock Washer 1/2"*	
12	717-0124		Housing Half w/Detent Hole		24	712-0922		Hex Jam Nut 1/2-20 Thd.*	

*For faster service obtain standard nuts, bolts and washers locally. If these items cannot be obtained locally, order by part number and size as shown on parts. list.

130-360A



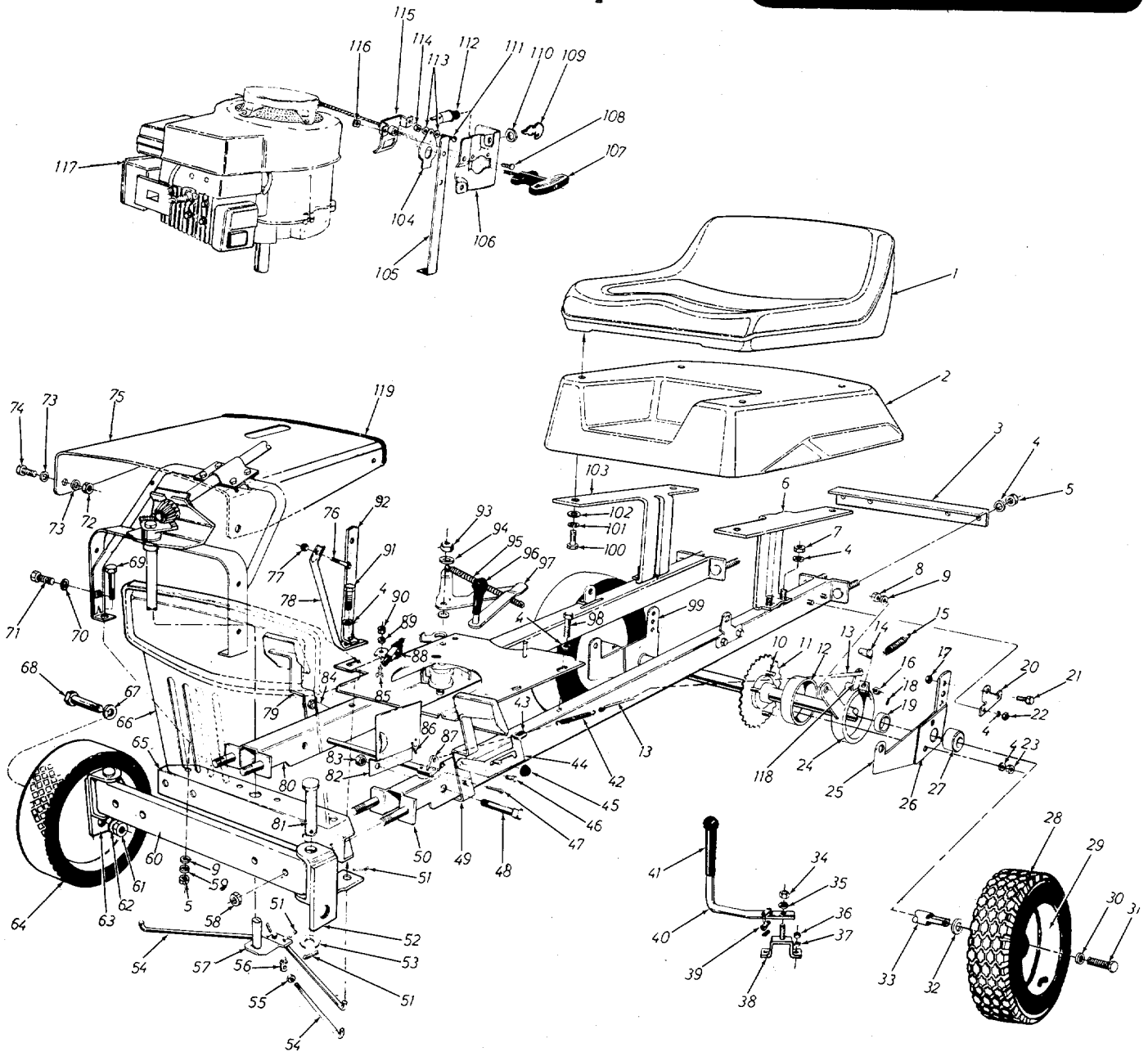
RECOIL WIRING

PARTS LIST FOR WIRING

REF. NO.	PART NO.	DESCRIPTION	NEW PART
1	725-0269	Safety Switch—Red (2 Req'd.)	
2	725-0464	Magneto Ignition Switch w/Nut	
	725-0201	Ignition Key	
3	725-0273	Wire Harness	
4	712-0121	Hex Nut #10-24	
5	710-425	Truss Mach. Scr. #10-24 x .62	
6	736-0338	Fiber Washer (2 Req'd.)	
7	732-0257	Switch Spring	
8	736-0225	Internal L-Wash. 5/8 I.D.	

130-360A

IF YOU WRITE TO US ABOUT THIS ARTICLE
OR IF YOU ORDER REPLACEMENT PARTS AL-
WAYS MENTION THIS MODEL & SERIAL NO
MODEL



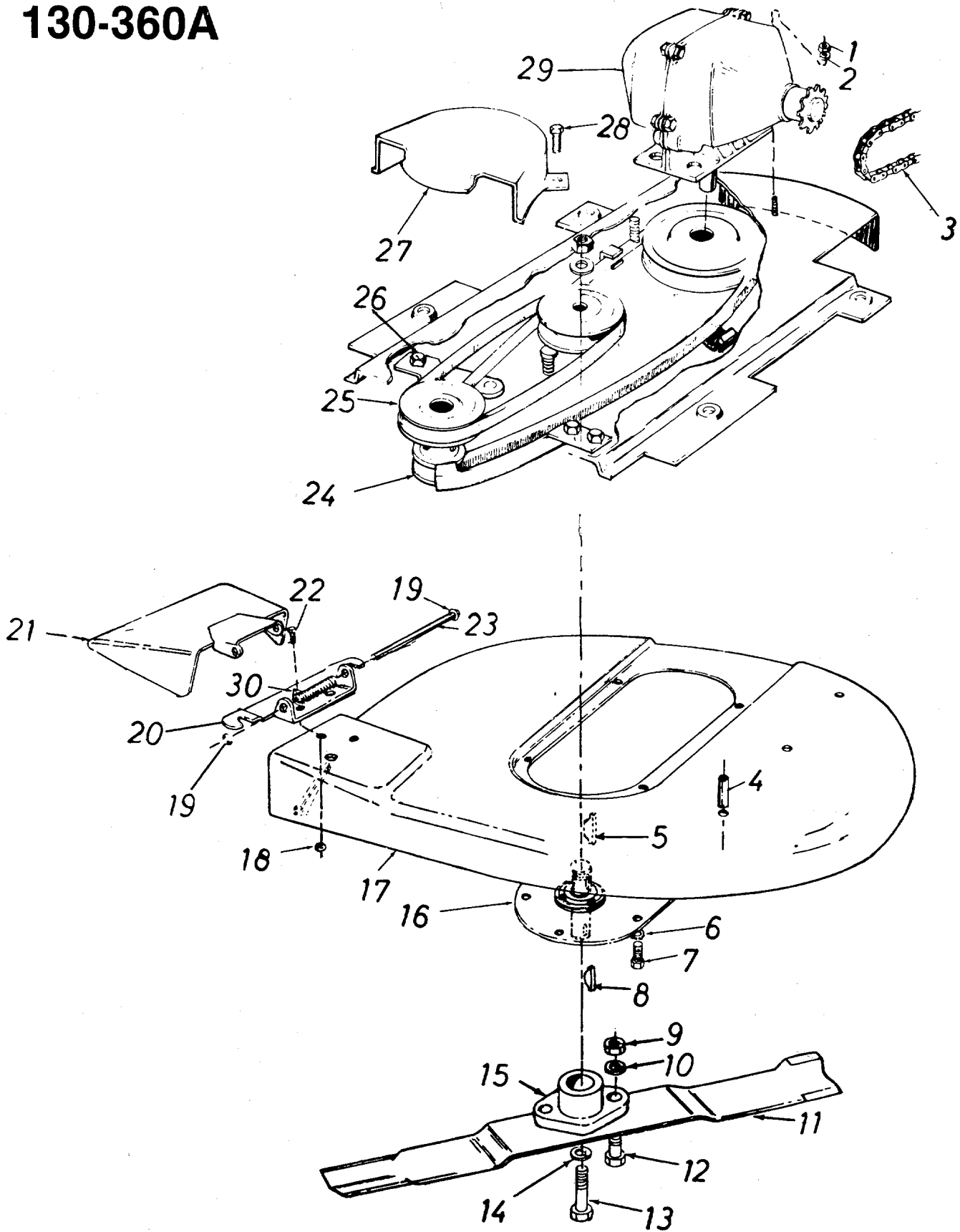
NOTE

This instruction manual covers various models and all specifications shown do not necessarily apply to your model. Specifications subject to change without notice or obligation.

PARTS LIST FOR MODEL 130-360A

REF. NO.	PART NO.	COLOR CODE	DESCRIPTION	NEW PART	REF. NO.	PART NO.	COLOR CODE	DESCRIPTION	NEW PART
1	757-0265		Seat		59	07386		FI-Wash. .390 I.D. x 1.75" O.D.	
2	731-0348		Rear Cover		60	07865	-462	Support Bar Ass'y.—Front	
3	07800	-462	Frame—Rear		61	712-0137		L-Nut 7/16-20 Thd.	
4	736-0119		L-Wash. 5/16" Scr.*		62	736-0156		FI-Wash. .635" I.D. x 1.20" O.D.	
5	712-0267		Hex Nut 5/16-18 Thd.*		63	09336	-462	Wheel Brkt. Ass'y.—R.H.	
6	12829	-462	Seat Support Brkt. Ass'y.—L.H.		64	734-0510		Front Wheel Ass'y.—Comp.	
7	712-0267		Hex Nut 5/16-18 Thd.*		65	08487	-462	Front Channel Ass'y.	
8	712-0429		Hex Ins. L-Nut 5/16-18 Thd.		66	08718	-462	Grille	
9	736-0264		FI-Wash. .344 I.D. x .62 O.D.		67	736-0116		FI-Wash. .635 I.D. x .93 O.D.	
10	710-0198		Hex Scr. 5/16-18 x .75" Lg.*		68	738-0186		Shld. Bolt .625" Dia. x 2.75	
11	717-0273		Rear Axle Ass'y.		69	710-0190		Hex Scr. 5/16-18 x 4.00" Lg.*	
12	09055		Brake Cup		70	736-0142		FI-Wash. .281 I.D. x .50" O.D.	
13	747-0110		Brake Rod		71	710-0179		Hex F-Tapp Scr. 1/4-20 x .50" Lg.*	
14	711-0152		Adjustment Link (Brake Band)		72	712-0287		Hex Nut 1/4-20 Thd.*	
15	732-0118		Ext. Spring (Brake Return)		73	736-0329		L-Wash. 1/4" Scr.*	
16	712-0107		Hex Cent. L-Nut 1/4-20 Thd.		74	710-0258		Hex Scr. 1/4-20 x .62" Lg.*	
17	712-0116		Hex Ins. L-Nut 3/8-24 Thd.		75	12832	-462	Front Hood	
18	710-0938		Set Scr. 1/4-28 x .25" Lg. (Cup Point)		76	710-0606		Hex Scr. 1/4-20 x 1.50" Lg.*	
19	711-0139		Collar 3/4" I.D.		77	712-0107		Hex Cent. L-Nut 1/4-20 Thd.	
20	11590	-462	Support Adj. Wheel Hanger		78	08715		Steering Frame Support	
21	710-0152		Hex Scr. 3/8-24 x 1.00" Lg.*		79	11553		Brake Pedal Axle Ass'y.	
22	712-0267		Hex Nut 5/16-18 Thd.*		80	11582	-462	Side Channel Ass'y.—R.H.	
23	712-0267		Hex Nut 5/16-18 Thd.*		81	711-0577		Clevis Pin 5/8" Dia. x 3.06" Lg	
24	08551		Brake Band Ass'y.—Comp.		82	08164		Heat Shield	
25	07794	-462	Wheel Adjustment Hanger		83	712-0130		Hex Ins. L-Nut 3/8-16 Thd.	
26	07792	-462	Bearing Plate		84	11564		Brake Lever—R.H.	
27	748-0391		Spherical Bearing .753 I.D.		85	710-0258		Hex Scr. 1/4-20 x .62" Lg.*	
28	734-0522		Rear Wheel Ass'y.—Comp. 12.2 x 3.7		86	715-0249		Spring Pin Spiral 5/32" Dia. x 1.12" Lg.	
29	734-0517		Rear Wheel Rim Ass'y. (Includes Hub)		87	11558		Brake Lever Brkt. Ass'y.	
	734-0301		Rear Wheel Tire Only 12.2 x 3.7		88	725-0269		Safety Switch	
30	736-0242		Belleville Wash. .343 I.D. x .875 O.D.		89	736-0329		L-Wash. 1/4" Scr.*	
31	710-0627		Hex Scr. w/Lock 5/16-24 x .75" Lg.		90	712-0287		Hex Nut 1/4-20 Thd.*	
32	736-0134		FI-Wash.		91	710-0176		Hex Scr. 5/16-18 x 2.75" Lg.*	
33	717-0273		Rear Axle Ass'y.		92	08865		Hood Support Brkt.—Front	
34	712-0429		Hex Ins. L-Nut 5/16-18 Thd.		93	712-0130		Hex Ins. L-Nut 3/8-16 Thd.	
35	736-0300		FI-Wash. .385 I.D. x .87 O.D.		94	736-0300		FI-Wash. .385 I.D. x .87 O.D.	
36	712-0107		Hex Cent. L-Nut 1/4-20 Thd.		95	732-0158		Blade Tension Spring	
37	736-0329		L-Wash. 1/4" Scr.*		96	720-0143		Grip (For Blade Lever)	
38	07364		Shift Lever Brkt. Ass'y.		97	07898		Blade Tension Brkt. Ass'y.	
39	713-0723		#41 Master Link		98	710-0176		Hex Scr. 5/16-18 x 2.75" Lg.	
40	08720		Transmission Shift Lever		99	07792	-462	Bearing Plate	
41	720-0143		Grip		100	710-0258		Hex Scr. 1/4-20 x .62" Lg.*	
42	732-0260		Brake Tension Spring		101	736-0329		L-Wash. 1/4" Scr.*	
43	11249		Knob		102	736-0142		FI-Wash. .281 I.D. x .50 O.D. x .063	
44	11563	-462	Clutch Lever—L.H.		103	12828	-462	Seat Support Brkt. Ass'y.—R.H.	
45	726-0121		Push Cap 1/4" Dia.—Black		104	732-0257		Switch Spring	
46	738-0140		Shld. Scr. .437 Dia. x .180		105	08865		Hood Support Brkt.—Front	
47	714-0507		Cotter Pin 3/32" Dia. x .75" Lg.*		106	11561		Starter Brkt.	
48	710-0427		Hex Scr. 3/8-16 x 2.00" Lg.*		107	11263		Plastic Handle (Starter Rope)	
49	11556		Clutch Pedal Ass'y.		108	710-0351		Truss Mach. Scr. #10 x .50" Lg.	
50	11581	-462	Side Channel Ass'y.—L.H.		109	725-0128		Ignition Key	
51	714-0115		Cotter Pin 1/8" Dia. x 1.00" Lg.*		110	736-0225		Internal L-Wash. 5/8" I.D.	
52	09335	-462	Wheel Brkt. Ass'y.—L.H.		111	710-0425		Truss Mach. Scr. #10-24 x .62" Lg.	
53	736-0116		FI-Wash. .635 I.D. x .93 O.D.		112	725-0464		Ignition Switch	
54	711-0197		Tie Rod		113	736-0338		Fiber Washer	
55	712-0711		Hex Jam Nut 3/8-24 Thd.		114	712-0121		Hex Nut #10-24 Thd.*	
56	711-0198		Pivot Bushing (Tie Rod End)		115	11053		Switch Brkt. Ass'y.	
57	08712		Steering Post Ass'y.		116	712-0147		Speed Nut #10-24 U-Type	
58	712-0267		Hex Nut 5/16-18 Thd.*		117	—		Engine	
					118	08109		Pivot Lever	
					119	731-0130		Ext. U-Channel Vinyl 22.5" Lg.	

130-360A



PARTS LIST FOR MODEL 130-360A

REF. NO.	PART NO.	COLOR CODE	DESCRIPTION	NEW PART
1	712-0267		Hex Nut 5/16-18 Thd.*	
2	736-0119		Spring L-Washer 5/16" Scr.*	
3	713-0357		#41 Chain 1/2" Pitch x 67 Links	
4	07956		Spacer (Between Deck and Frame)	
5	714-0365		#6 Hi-Pro-Key 5/32 x 5/8" Dia.	
6	736-0607		External L-Washer 5/16" Scr.*	
7	710-0107		Hex Scr. 5/16-24 x .50" Lg.*	
8	714-0365		#6 Hi-Pro-Key 5/32 x 5/8" Dia.	
9	712-0123		Hex Nut 5/16-24 Thd.*	
10	736-0119		Spring L-Washer 5/16" Scr.*	
11	742-0132		Blade	
12	710-0117		Hex Scr. 5/16-24 x 1.00" Lg.—H.T.	
13	710-0459		Hex Scr. 3/8-24 x 1.50" Lg.—H.T.	
14	736-0217		Spring Lock Washer 3/8" Scr.—H.D.	
15	10769		Blade Adapter Kit	
16	09387		Inspection Plate	
17	11595	—452	Deck Ass'y.—Comp.	
18	712-0107		Hex Center L-Nut 1/4-20 Thd.	
19	726-0106		Push Nut 1/4" Rod	
20	11399	—462	Adapter Plate Ass'y.	
21	11633	—462	Chute Deflector Ass'y.—Comp.	
22	710-0230		Hex Scr. 1/4-28 x .50" Lg.*	
23	711-0571		Pivot Pin	
24	754-0936		"V"-Belt 1/2" x 47" Lg.	
25	756-0181		Two-Step Engine Pulley	
26	712-0130		Hex Inserted L-Nut 3/8-16	
27	07397	—462	Belt Cover	
28	710-0128		Hex F-Tapp. Scr. #10-32 x .50" Lg.*	
29	717-0223		Transmission Ass'y.—Comp.	
30	732-0261		Torsion Spring	

*For faster service obtain standard nuts, bolts and washers locally. If these items cannot be obtained locally, order by part number and size as shown on parts list.

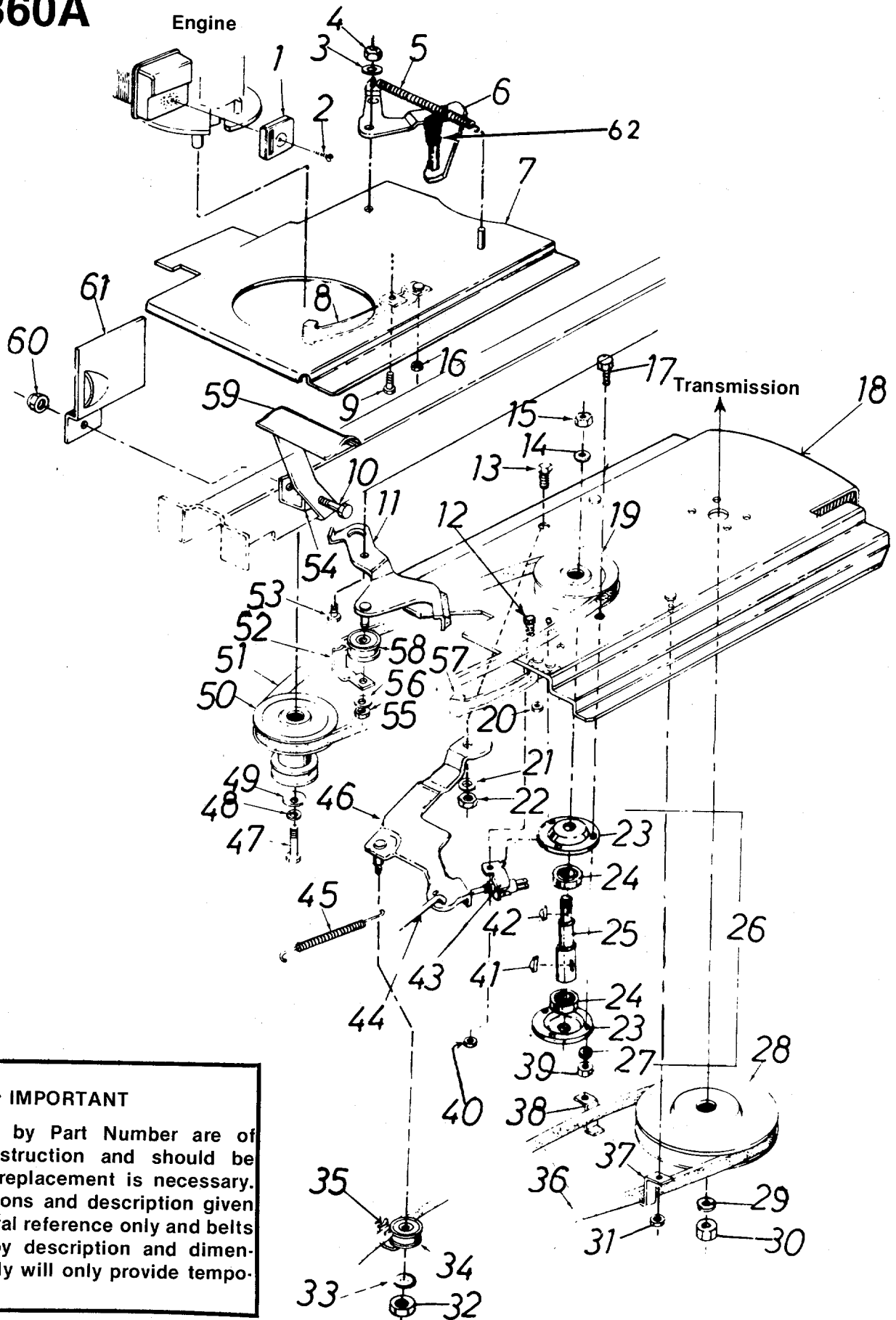
(462—Red Flake)

When ordering parts, if color or finish is important, use the appropriate color code shown at left. (e.g. Red Flake Finish (462).)

The engine is not under warranty by the mower manufacturer. If repairs or service is needed on the engine, please contact your nearest authorized engine service outlet. Check the "Yellow Pages" of your telephone book under "Engines — Gasoline."



130-360A



➔ IMPORTANT
Belts listed by Part Number are of special construction and should be used when replacement is necessary. The dimensions and description given are for general reference only and belts purchased by description and dimension generally will only provide temporary service.

PARTS LIST FOR MODEL 130-360A

REF. NO.	PART NO.	COLOR CODE	DESCRIPTION	NEW PART	REF. NO.	PART NO.	COLOR CODE	DESCRIPTION	NEW PART
1	09296		Exhaust Deflector		31	712-0123		Hex Nut 5/16-24 Thd.*	
2	69338		Screw		32	712-0116		Hex Ins. Lock Nut 3/8-24 Thd.	
3	736-0300		FI-Wash. .385 I.D. x .87 O.D.		33	736-0160		FI-Wash.	
4	712-0130		Hex Ins. Lock Nut 3/8-16 Thd.		34	756-0370		Idler Bearing Ass'y.	
5	732-0158		Blade Tension Spring		35	07353		Belt Clip	
6	07898		Blade Tension Brkt. Ass'y.		36	754-0936		"V"-Belt 1/2" x 47" Lg.	
7	11584		Engine Mtg. Plate Ass'y.		37	07437		Belt Clip	
8	07401-1		Belt Guard		38	07437		Belt Clip	
9	710-0258		Hex Hd. Cap Scr. 1/4-20 x .62" Lg.*		39	712-0267		Hex Nut 5/16-18 Thd.*	
10	710-0427		Hex Hd. Cap Scr. 3/8-16 x 2.00" Lg.*		40	712-0287		Hex Nut 1/4-20 Thd.*	
11	11588		Blade Idler Brkt. Ass'y.		41	714-0365		#6 Hi-Pro Key 5/32 x 5/8" Dia.	
12	710-0258		Hex Hd. Cap Scr. 1/4-20 x .62" Lg.*		42	714-0365		#6 Hi-Pro Key 5/32 x 5/8" Dia.	
13	738-0140		Shld. Scr. .437" Dia. x .180		43	725-0269		Safety Switch	
14	736-0921		Spring Lock Washer 1/2" Scr.*		44	11562		Transmission Link	
15	712-0200		Hex Ins. Lock Nut 1/2-20 Thd.		45	732-0121		Idler Extension Spring	
16	712-0287		Hex Nut 1/4-20 Thd.*		46	11551		Transmission Idler Brkt. Ass'y.	
17	710-0322		Hex Sems Scr. 5/16-18 x 1.00" Lg.*		47	710-0152		Hex Hd. Cap Scr. 3/8-24 x 1.00" Lg.*	
18	11586		Blade Mtg. Plate Ass'y.		48	736-0217		Spring Lock Washer 3/8" Scr. H.D.	
19	09925		Pulley 4" Dia. (For Blade Spindle)		49	736-0219		Belleville Washer .400 I.D. x 1.120 O.D.	
20	712-0287		Hex Nut 1/4-20 Thd.*		50	756-0181		Two Step Engine Pulley	
21	736-0300		FI-Wash. .406 I.D. x .734 O.D.		51	754-0107		"V"-Belt 1/2" x 30" Lg.	
22	712-0158		Hex Center Lock Nut 5/16-18 Thd.		52	07353		Belt Clip	
23	08253		Bearing Housing		53	738-0143		Shld. Scr. .498 Dia. x .340	
24	741-0919		Ball Bearing		54	07787		Spacer Bracket	
25	738-0188		Blade Spindle		55	712-0216		Hex Inserted Lock Nut 3/8-24 Thd.	
26	741-0168		Blade Spindle Ass'y.—Comp.		56	736-0160		FI-Wash.	
27	736-0119		Spring Lock Washer 5/16" Scr.*		57	07400-1		Belt Guard	
28	756-0175		Pulley 7" Dia. x 1/2" I.D. (Transmission)		58	756-0370		Idler Bearing Ass'y.	
29	736-0921		Spring Lock Washer 1/2" Scr.*		59	11556		Clutch Pedal Ass'y.	
30	712-0200		Hex Jam Nut 1/2-20 Thd.*		60	712-0130		Hex Inserted Lock Nut 3/8-16 Thd.	
					61	08164		Heat Shield	
					62	07343		Cap (For Blade Lever)	

*For faster service obtain standard nuts, bolts and washers locally. If these items cannot be obtained locally, order by part number and size as shown on parts list.

(462—Red Flake)

When ordering parts if color or finish is important, use color code shown at left. (e.g. Red Flake Finish—11907 (462).)

The engine is not under warranty by the mower manufacturer. If repairs or service is needed on the engine, please contact your nearest authorized engine service outlet. Check the "Yellow Pages" of your telephone book under "Engines — Gasoline."



PARTS LIST FOR MODEL 130-360A

REF. NO.	PART NO.	COLOR CODE	DESCRIPTION	NEW PART
1	731-0220		Steering Wheel Cap	
2	712-0158		Hex Center Lock Nut 5/16-18 Thd.*	
3	736-0242		Belleville Washer .343 I.D. x .875 O.D.	
4	738-0198		Steering Column Rod	
5	748-0184		Flange Bearing—.628 I.D. x 1.120 O.D.	
6	11774		Steering Tube Ass'y.	
7	712-0107		Hex Center Lock Nut 1/4-20 Thd.	
8	748-0137		Gear Segment	
9	08704		Steering Frame Ass'y.	
10	711-0139		Collar 3/4" I.D.	
11	08712		Steering Post Ass'y.	
12	710-0938		Set Scr. 1/4-28 x .25" Lg.—Cup Point	
13	748-0138		Flange Bearing	
14	710-0938		Set Scr. 1/4-28 x .25" Lg. (Cup Point)	
15	714-0388		#61 Hi-Pro-Key 3/16 x 5/8" Dia.	
16	710-0198		Hex Sems Scr. 5/16-18 x .75" Lg.*	
17	08714		Tube Clamp	
18	710-0258		Hex Hd. Cap Scr. 1/4-20 x .62" Lg.*	
19	731-0219		Steering Wheel	
20	714-0129		#4 Hi-Pro-Key 3/32 x 5/8" Dia.—Hardened	
21	748-0108		Flange Bearing 1/2" Bore Bronze	
22	748-0866		Pinion Gear	
23	726-0221		Push Cap—.500 Dia. Shaft	
24	736-0174		Wave Washer—.660 I.D. x .88 O.D. x .010	
25	736-0156		Fl-Wash.	

*For faster service obtain standard nuts, bolts and washers locally. If these items cannot be obtained locally, order by part number and size as shown on parts list.

(462—Red Flake)

When ordering parts, if color or finish is important, use the appropriate color code shown at left. (e.g. Red Flake Finish (462).)

NOTE: The engine is not under warranty by the mower manufacturer . . . If repairs or service is needed on the engine, please contact your nearest authorized engine service outlet. Check the "Yellow Pages" of your telephone book under "Engines—Gasoline."

Find It Fast
In The
Yellow Pages

WHEEL CHART

FRONT WHEEL		REAR WHEEL	
PART NO.	DESCRIPTION	PART NO.	DESCRIPTION
734-0510	Wheel Ass'y. Comp. 10.25 x 3.25	734-0522	Wheel Ass'y. Comp. 12.2 x 3.7
748-0146	Flange Bearing w/Flats .630" I.D.	734-0517	Rim Ass'y.w/Hub
		734-0301	Tire Only Tubeless 12.2 x 3.7
		734-0255	Air Valve
		734-0336	Inner Tube (Service Only)

PARTS INFORMATION

POWER EQUIPMENT PARTS AND SERVICE

Parts and service for all MTD manufactured power equipment are available through the authorized service firms listed below. All orders should specify the model number of your unit, parts number, description of parts and the quantity of each part required.

ALABAMA	BIRMINGHAM
Auto Electric & Carburetor Co.	2625 4th Ave. S. 35233
ARKANSAS	FORT SMITH
Mity Mite Motors, Inc.	4515 South 16th Street 72901
	NORTH LITTLE ROCK
Sutton's Lawn Mower Shop	Rt. 4 Box 368. 72117
CALIFORNIA	PORTERVILLE
Billious	75 North D Street 93257
	SAN BERNARDINO
Lawn Mower Supply Co	25608 E. Baseline 92410
	SAN FRANCISCO
J.W. Jewett Co.	981 Folsom St. 94107
COLORADO	DENVER
South Denver Lawn Equip.	527 West Evans 80223
FLORIDA	JACKSONVILLE
Radco Distributors	2403 Market St. 32206
	OPA LOCKA
Small Eng. Dist.	2351 N.W. 147th St. 33054
GEORGIA	EAST POINT
East Point Cycle & Key.	2834 Church St. 30344
ILLINOIS	LYONS
Keen Edge Co.	8615 Ogden Ave. 60534
INDIANA	ELKHART
Parts & Sales Inc.	2101 Industrial Pkwy. 46514
IOWA	DUBUQUE
Power Lawn & Garden Equip.	2551 J.F. Kennedy. 52001
LOUISIANA	NEW ORLEANS
Suhren Engine Co.	8330 Earhart Blvd. 70118
MARYLAND	TAKOMA PARK
Center Supply Co.	6867 New Hampshire Ave. 20012
MASSACHUSETTS	SPRINGFIELD
Morton B. Collins Co.	300 Birnie Ave. 01107
MICHIGAN	LANSING
Lorenz Service Co.	2500 S. Pennsylvania. 48910
	MOUNT CLEMENS
Power Equipment Dist.	36463 South Gratiot .. 48043
MINNESOTA	HOPKINS
Hance Distributing Inc.	420 Excelsior Ave. W. 55343
	ST. PAUL
Power Tools Inc.	3771 Sibley Memorial Hwy. 55122
MISSISSIPPI	BILOXI
Biloxi Sales & Service, Inc.	506 Caillavet St. 39533
MISSOURI	KANSAS CITY
Automotive Equip. Service	3117 Holmes St. 64109
	ST. JOSEPH
Ross-Frazier Supply Co.	8th and Monteray 64503
	ST. LOUIS
Henzler, Inc.	2015 Lemay Ferry Rd. 63125
NEW JERSEY	BELLMAWR
Lawnmower Parts Inc.	717 Creek Rd. 08030
	RUTHERFORD
Feld Distributor	28 Glen Rd. 07070
NEW YORK	CARTHAGE
Gamble Dist., Inc.	West End Ave. 13619

BRIGGS AND STRATTON, TECUMSEH AND PEERLESS PARTS AND SERVICE

Briggs & Stratton, Tecumseh and Peerless parts and service should be handled by your nearest authorized engine service firm. Check the yellow pages of your telephone directory under the listing, **Engines—Gasoline**, Briggs & Stratton or Tecumseh Lauson.

	SYRACUSE
GTP Leisure Products Inc.	420 Marcellus St. 13204
NORTH CAROLINA	GOLDSBORO
Smith Hardware Co.	515 N. George St. 27530
	GREENSBORO
Dixie Sales Company	327 Battleground Ave. 27402
OHIO	CARROLL
Stebe's Mid-State Mower Supply ...	Box 366-71 High St. .. 43112
	CLEVELAND
Bleckrie, Inc.	7900 Lorain Ave. 44102
	WADSWORTH
National Central.	687 Seville Rd. 44281
	YOUNGSTOWN
Burton Supply Co.	1301 Logan Ave. Box 929 .. 44501
OKLAHOMA	ADA
Ada Auto Supply	301 E. 12th St. 74820
	MUSKOGEE
Victory Motors, Inc.	605 S. Cherokee. 74401
	OKLAHOMA CITY
Forest Sales Inc.	1039 NW 63rd St. 73116
OREGON	PORTLAND
Kenton Supply Co.	8216 N. Denver Ave. .. 97217
PENNSYLVANIA	CHESTER
Stull Equipment Corp.	742 W. Front St. 19013
	HARRISBURG
EECO Inc.	4021 N. 6th St. 17110
	PHILADELPHIA
Thompson Rubber Co.	5222-24 N. Fifth St. 19120
	PITTSBURGH
Bluemont Co.	11125 Frankstown Rd. 15235
TENNESSEE	KNOXVILLE
Master Repair Service.	2000 Western Ave. 37921
	MEMPHIS
Memphis Cycle & Supply Co.	421 Monroe Ave. 38103
American Sales & Service, Inc.	1922 Lynnbrook. 38116
TEXAS	DALLAS
Marr Brothers, Inc.	423 E. Jefferson. 75203
	FORT WORTH
Woodson Sales Corp.	1702 N. Sylvania 76111
	HOUSTON
Bullard Supply Co.	2409 Commerce St. 77003
	SAN ANTONIO
Catto & Putty, Inc.	414 Live Oak 78298
UTAH	SALT LAKE CITY
A-1 Engine & Mower Co.	437 E. 9th St. 84111
VERMONT	BURLINGTON
Vermont Hdwe. Co. Inc.	180 Flynn Ave. 05401
VIRGINIA	RICHMOND
RBI Corp.	963 Myers St. 23260
WASHINGTON	SEATTLE
Bailey's Inc.	1414 14th Ave. 98102
WEST VIRGINIA	CHARLESTON
Young's, Inc.	233 Virginia St., E. 25301
WISCONSIN	APPLETON
Automotive Supply Co.	123 S. Linwood Ave. .. 54911

WARRANTY PARTS AND SERVICE POLICY

The purpose of warranty is to protect the customer from defects in workmanship and materials, defects which are NOT detected at the time of manufacture. It does not provide for the unlimited and unrestricted replacement of parts. Use and maintenance are the responsibility of the customer. The manufacturer cannot assume responsibility for conditions which it has no control. Simply put, if it's the manufacturer's fault, it's the manufacturer's responsibility; if it's the customer's fault, it's the customer's responsibility.

CLAIMS AGAINST THE MANUFACTURER'S WARRANTY INCLUDES

1. Replacement of Missing Parts on new equipment.
2. Replacement of Defective Parts within the warranty period.
3. Repair of Defects within the warranty period.

All claims MUST be substantiated with the following information:

1. Model Number of unit involved.
2. Date unit was purchased or first put into service.
3. Date of failure.
4. Nature of failure.

Free Manuals Download Website

<http://myh66.com>

<http://usermanuals.us>

<http://www.somanuals.com>

<http://www.4manuals.cc>

<http://www.manual-lib.com>

<http://www.404manual.com>

<http://www.luxmanual.com>

<http://aubethermostatmanual.com>

Golf course search by state

<http://golfingnear.com>

Email search by domain

<http://emailbydomain.com>

Auto manuals search

<http://auto.somanuals.com>

TV manuals search

<http://tv.somanuals.com>