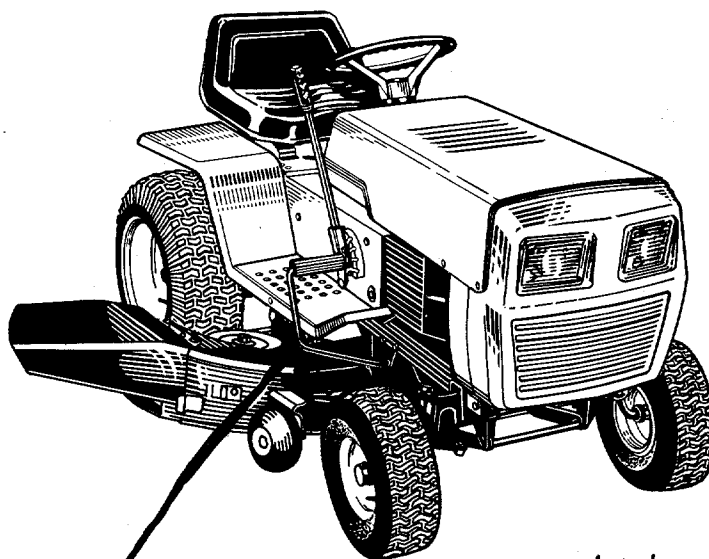


\$1.00

# OWNER'S GUIDE

ASSEMBLY • OPERATION • MAINTENANCE • PARTS



*PEDAL  
ON  
LH SIDE*

(Model 812 Shown)

*14 SPEED*

**18 H.P.  
GARDEN  
TRACTORS**

*SEE STYLE SHEET* →

## Model Numbers

- 149-812-000 149-822-000
- 149-813-000 149-823-000
- 149-817-000 149-827-000
- 149-818-000 149-828-000
- 149-819-000 149-829-000

*4' TURNING RADIUS (UNCUT GRASS)*

**Important: Read Safety Rules and Instructions Carefully**

# INDEX

Slope Gauge .....	3
Contents of Hardware Pack .....	4
Rules for Safe Operation .....	5
Assembly .....	6
Controls .....	11
Operation .....	12
Adjustments .....	14
Lubrication .....	16
Maintenance .....	16
Off-Season Storage .....	18
Trouble Shooting Chart .....	19, 20
Illustrated Parts for Tractor .....	21-27
Illustrated Parts for Transaxle .....	28, 29
Electrical Diagram and Parts List .....	30
Parts Information .....	Back Cover

Dear Customer,

So often throughout the year we are all in a rush to meet our daily obligations.

However, we at MTD Products Inc are taking a quick moment out to say...

**"Thank you for your business."**

Sincerely,  
MTD PRODUCTS INC



**INSTRUCTIONS GIVEN WITH THIS SYMBOL ARE FOR PERSONAL SAFETY. BE SURE TO FOLLOW THEM.**

## LIMITED WARRANTY

For one year from the date of original retail purchase, MTD PRODUCTS INC will either repair or replace, at its option, free of charge, F.O.B. factory or authorized service firm, any part or parts found to be defective in material or workmanship. Transportation charges for the movement of any power equipment unit or attachment are the responsibility of the purchaser. Transportation charges for any parts submitted for replacement under this warranty must be paid by the purchaser unless such return is requested by MTD PRODUCTS INC.

This warranty will not apply to any part which has become inoperative due to misuse, excessive use, accident, neglect, improper maintenance, alterations, or unless the unit has been operated and maintained in accordance with the instructions furnished. This warranty does not apply to the engine, Peerless components, motor, battery (except as noted below) or component parts thereof. Please refer to the applicable manufacturer's warranty on these items.

A battery which proves defective within ninety (90) days will be replaced without charge. After 90 days but within one year from the date of purchase, MTD will replace the defective battery for a charge of 1/12 of the current retail price of the battery for each full 30 day period between the date of purchase and the date of return.

This warranty will not apply where the unit has been used commercially.

Warranty service is available through your local authorized service dealer or distributor. If you do not know the dealer or distributor in your area, please write to the Customer Service Department of MTD.

The return of a complete unit will not be accepted by the factory unless prior written permission has been extended by MTD.

This warranty gives you specific legal rights. You may also have other rights which vary from state to state.

**WARNING:** This unit is equipped with an internal combustion engine and should not be used on or near any unimproved forest-covered, brush-covered or grass-covered land unless the engine's exhaust system is equipped with a spark arrester meeting applicable local or state laws (if any). If a spark arrester is used, it should be maintained in effective working order by the operator.

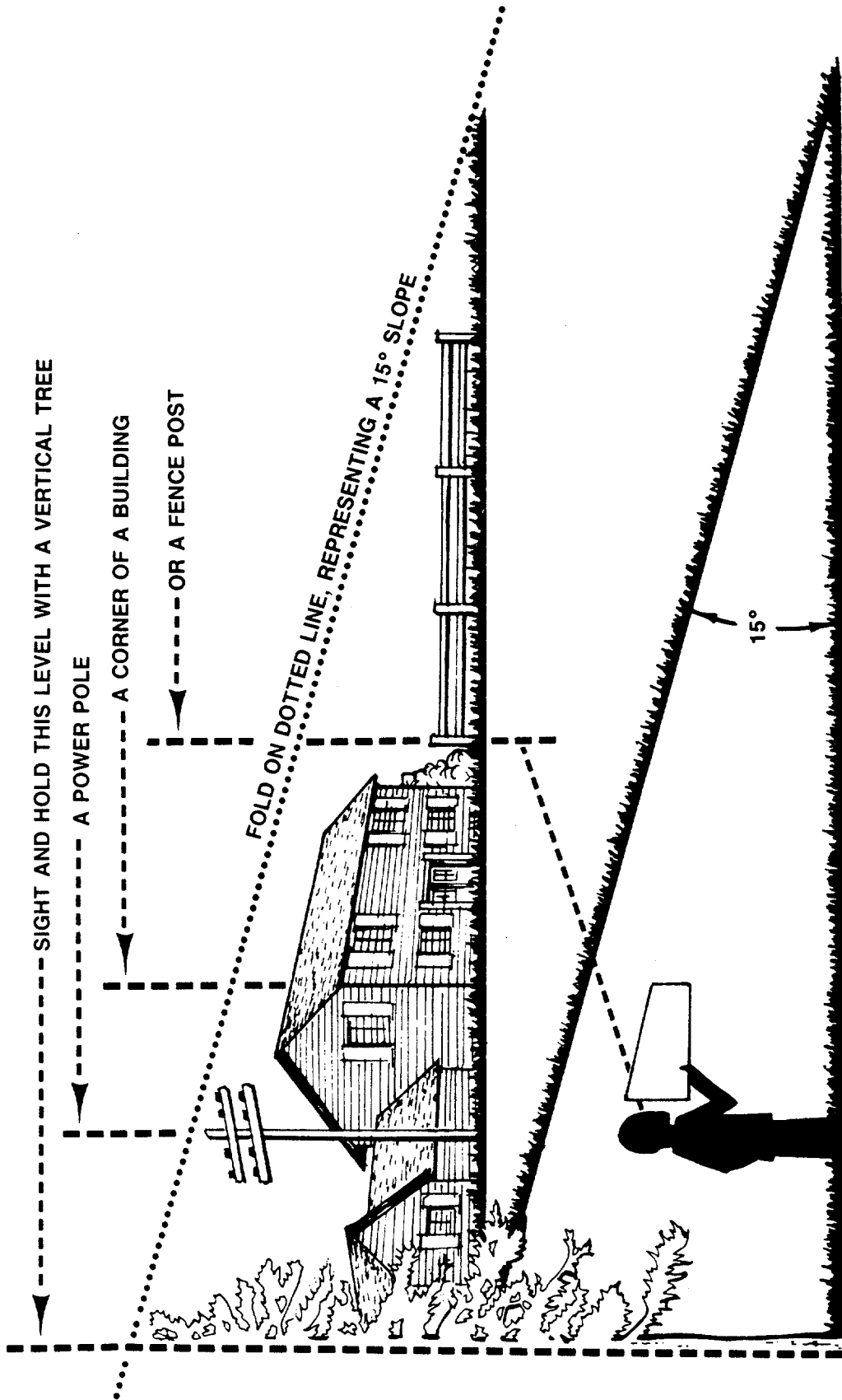
In the State of California the above is required by law (Section 4442 of the California Public Resources Code). Other states may have similar laws. Federal laws apply on federal lands. A spark arrester for the muffler is available through your nearest engine authorized service center.

# SLOPE GAUGE

(Keep this sheet in a safe place for future reference.)

Cut Along This Line

USE THIS SHEET AS A GUIDE TO DETERMINE SLOPES WHERE YOU MAY NOT OPERATE SAFELY.



Do not mow on inclines with a slope in excess of 15 degrees (a rise of approximately 2½ feet every 10 feet). A riding mower could overturn and cause serious injury. If operating a walk-behind mower on such a slope, it is extremely difficult to maintain your footing and you could slip, resulting in serious injury.

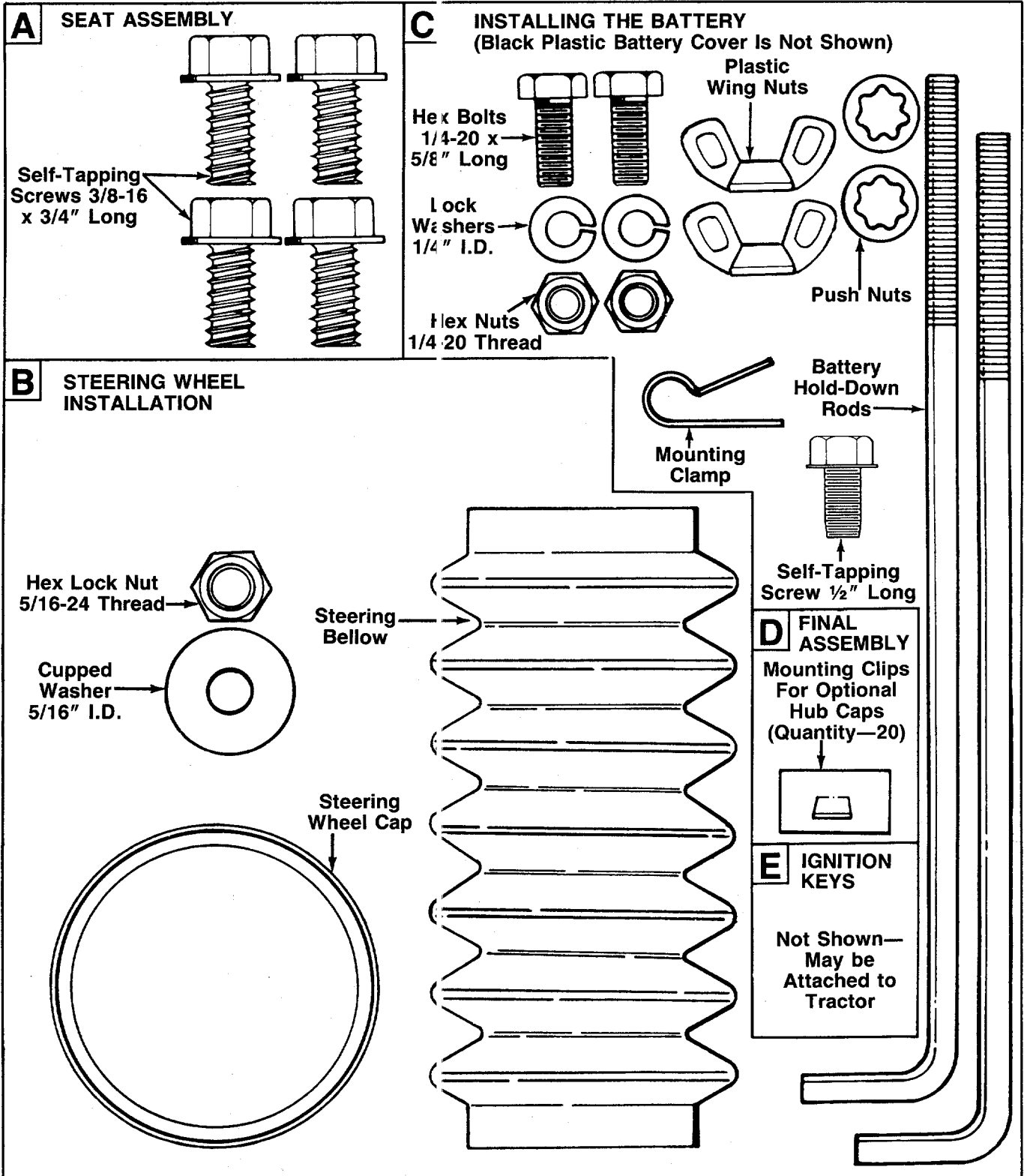
Operate RIDING mowers up and down slopes, never across the face of slopes.

Operate WALK-BEHIND mowers across the face of slopes, never up and down slopes.

# CONTENTS OF HARDWARE PACK



Remove this sheet from your owner's manual and lay the hardware on the illustration for identification purposes. Refer to the separate deck manual for any information concerning the deck. After assembly, keep the Slope Gauge which is on the reverse side of this sheet for future use.

(Hardware pack may contain extra items which are not used on your unit.)



# IMPORTANT

## RULES FOR SAFE OPERATION

THIS SYMBOL POINTS OUT IMPORTANT SAFETY INSTRUCTIONS WHICH, IF NOT FOLLOWED, COULD ENDANGER THE PERSONAL SAFETY AND/OR PROPERTY OF YOURSELF AND OTHERS. READ AND FOLLOW ALL INSTRUCTIONS IN THIS MANUAL BEFORE ATTEMPTING TO OPERATE YOUR UNIT. FAILURE TO COMPLY WITH THESE INSTRUCTIONS MAY RESULT IN PERSONAL INJURY. WHEN YOU SEE THIS SYMBOL—  **HEED ITS WARNING.** 



### DANGER

Your unit was built to be operated according to the rules for safe operation in this manual. As with any type of power equipment, carelessness or error on the part of the operator can result in serious injury. If you violate any of these rules, you may cause serious injury to yourself or others.

1. READ THIS OWNER'S MANUAL carefully in its entirety before attempting to assemble or operate this unit. Keep this manual in a safe place for future and regular reference and for ordering replacement parts.
2. This unit is a precision piece of power equipment, not a plaything. Therefore exercise extreme caution at all times.
3. Know the controls and how to stop the machine quickly.
4. Do not allow children to operate vehicle. Do not allow adults to operate it without proper instruction. Only persons well acquainted with these rules of safe operation should be allowed to use your mower.
5. Wear sturdy, rough-soled work shoes and close-fitting slacks and shirts to avoid entanglement in the moving parts. Never operate a unit in bare feet, sandals, or sneakers.
6. To prevent injury, do not carry passengers or give rides. Keep children, pets and bystanders out of the area while mowing. Only the operator should ride on the unit and only ride in the seat.
7. Check overhead clearance carefully before driving under power lines, guy wires, bridges or low hanging tree branches, before entering or leaving buildings, or in any other situation where the operator may be struck or pulled from the unit, which could result in serious injury.
8. To maintain control of the unit and reduce the possibility of upset or collision, operate the tractor smoothly. Avoid erratic operation and excessive speed.
9. Keep the area of operation clear of all persons, particularly small children and pets. Stop engine when they are in the vicinity of your mower. Although the area of operation should be completely cleared of foreign objects, a small object may have been overlooked and could be accidentally thrown by the mower in any direction and cause injury to you or a bystander.
10. Stop the blade(s) when crossing gravel drives, walks or roads.
11. Disengage all attachment clutches and shift into neutral before attempting to start engine.
12. Disengage power to attachment(s) and stop engine before leaving operating position.
13. Do not put hands or feet near or under rotating parts. Keep clear of the discharge opening at all times as the rotating blade(s) can cause injury.
14. Disengage power to attachment(s) and stop engine before making any repairs or adjustments. Disconnect the spark plug wire and keep the wire away from the plug to prevent accidental starting.
15. Before attempting to unclog the mower or discharge chute, stop the engine. The mower blade(s) may continue to rotate for a few seconds after the engine is shut off. Therefore, be sure the blade(s) have stopped completely. Disconnect the spark plug wire and keep the wire away from the plug to prevent accidental starting.
16. Disengage power to attachment(s) when transporting or not in use.
17. Take all possible precautions when leaving vehicle unattended such as disengaging power take-off, lowering attachments, shifting into neutral, setting parking brake, stopping engine and removing key.
18. For your safety, use the slope gauge included as part of this manual to measure slopes before operating this unit on a sloped or hilly area. If the slope is greater than 15° as shown on the slope gauge, do not operate this unit on that area or serious injury could result.
19. Do not stop or start suddenly when going uphill or downhill. Mow up and down face of steep slopes; never across the face. Use extreme caution if it is necessary to drive the tractor up an incline or back the tractor down an incline because the front of the tractor could lift and rapidly flip over backward which could cause serious injury.
20. Reduce speed on slopes and in sharp turns to prevent tipping or loss of control. Always keep the tractor in gear when going down steep hills to take advantage of engine braking action.
21. Stay alert for holes in terrain and other hidden hazards which may cause the unit to tip over.
22. Use care when pulling loads or using heavy equipment.
  - A. Use only approved drawbar hitch points.
  - B. Limit loads to those you can safely control.
  - C. Do not turn sharply. Use care when backing.
  - D. Use counterweight(s) or wheel weights when suggested in owner's manual.
23. Watch out for traffic when crossing or near roadways.
24. When using any attachments, never direct discharge of material toward bystanders nor allow anyone near vehicle while in operation.
25. Handle gasoline with care. It is highly flammable.
  - A. Use approved gasoline container.
  - B. Never remove cap or add gasoline to a running or hot engine or fill fuel tank indoors. Wipe up spilled gasoline.
  - C. Open doors if engine is run in garage. Exhaust fumes are dangerous. Do not run engine indoors.

## Rules for Safe Operation (continued)

26. Keep the vehicle and attachments in good operating condition, and keep safety devices in place. Use guards as instructed in operator's manual.
27. Keep all nuts, bolts, and screws tight to be sure the equipment is in safe working condition.
28. Never store the machine with fuel in the fuel tank inside a building where ignition sources are present, such as hot water and space heaters, clothes dryers, and the like. Allow the engine to cool before storing in any enclosure.
29. To reduce fire hazard, keep engine free of grass, leaves or excessive grease.
30. The vehicle and attachments should be stopped and inspected for damage after striking a foreign object. The damage should be repaired before restarting and operating the equipment.
31. Do not change the engine governor settings or overspeed the engine.
32. When using the vehicle with mower, proceed as follows:
  - (1) Mow only in daylight or in good artificial light.
  - (2) Never make a cutting height adjustment while engine is running if operator must dismount to do so.
  - (3) Shut the engine off and wait until the blade comes to a complete stop before removing the grass catcher.
  - (4) Check blade mounting bolts for proper tightness at frequent intervals.
33. Check grass catcher bags frequently for wear or deterioration. For safety protection, replace only with new bag meeting original equipment specifications.
34. Look behind to make sure the area is clear before placing the transmission in reverse and continue looking behind while backing up. Disengage blades before shifting into reverse and backing up.
35. This unit should not be driven up a ramp onto a trailer or truck under power, because the unit could tip over, causing serious personal injury. The unit must be pushed manually to load properly.

**IMPORTANT:** This unit is shipped **WITHOUT GASOLINE or OIL**; however, a small amount of oil may be present from the factory. Do not overfill. After assembly, service engine with gasoline and oil as instructed in the separate engine manual packed with your unit.

**NOTE:** Reference to right or left hand side of the unit is observed from the driver's seat, facing forward. Refer to the separate deck manual for all information concerning the deck.

## ASSEMBLY

This owner's manual covers various models of tractors. The units illustrated may vary slightly from your unit. Follow the instructions which pertain to your unit.

### UNPACKING

1. Remove the carton from the tractor as follows. Cut and remove the bands around the carton. Open the top flaps and remove all carton inserts. Lift the carton off the tractor. Remove the deck from beneath the tractor. Roll the tractor off the skid. Make certain all parts and literature have been removed from the carton before the carton is discarded.
2. Remove page four from this manual and lay the contents of the hardware pack on the illustration for identification.

### BATTERY INFORMATION



- A. Battery acid must be handled with great care as contact with it can burn and blister the skin. It is also advisable to wear protective clothing (goggles, rubber gloves and apron) when working with it \*

- B. Should battery acid accidentally splatter into the eyes or onto the face, rinse the affected area immediately with clean, cold water. If there is any further discomfort, seek prompt medical attention.
- C. If acid spills on clothing, first dilute it with clean water, then neutralize with a solution of ammonia/water or baking soda/water.
- D. Since battery acid is corrosive, do not pour it into any sink or drain. Before discarding empty electrolyte containers, rinse them with a neutralizing solution.
- E. NEVER connect or disconnect charger clips to battery while charger is turned on as it can cause sparks.
- F. Keep all lighted materials (cigarettes, matches, lighters) away from the battery as the hydrogen gas generated during charging can be combustible.
- G. As a further precaution, only charge the battery in a well-ventilated area.  
**\*Always shield eyes, protect skin and clothing when working near batteries.**

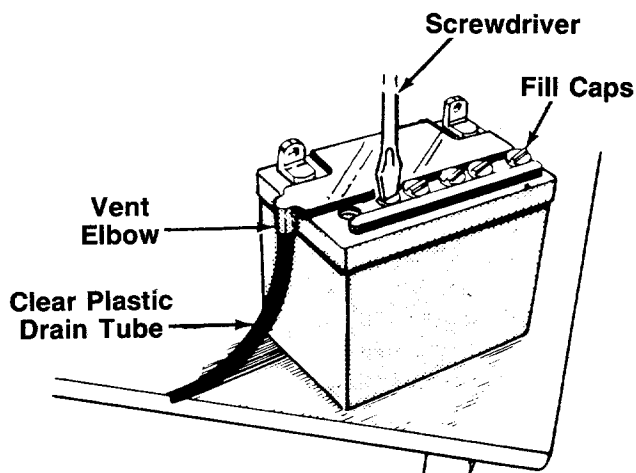


FIGURE 1.

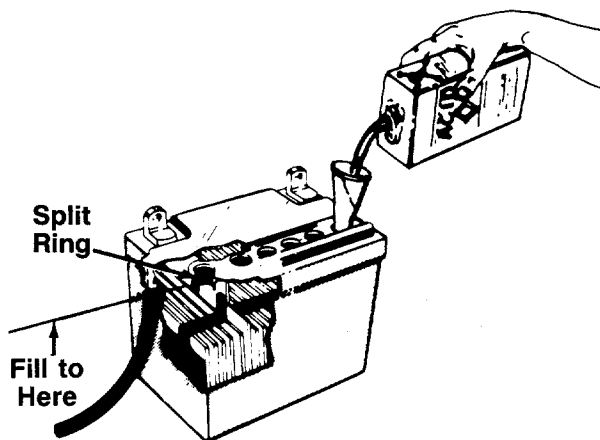


FIGURE 2.

## ACTIVATING THE BATTERY

Do not activate battery (fill with battery acid) until battery is actually placed in service. Be certain to read previous warnings before activating the battery.

1. Open the battery pack. Be careful not to puncture the box. It contains the battery with a long plastic tube attached, battery fluid (acid) in a cardboard container and one cone.
2. Place the battery on a table or workbench. Make certain the long plastic drain tube is in place on the vent elbow.
3. Remove the six fill caps from the top of the battery with a screwdriver. Be careful not to damage the fill caps. See figure 1.
4. Cut off the tip of the cone for use as a funnel.
5. Place the battery fluid container upright on the table or workbench. Carefully remove the flap on the box, and pull out the plastic tube. Cut off the tip of the plastic tube. Do not squeeze the container when cutting the tip.
6. Fill each battery cell slowly and carefully to the split ring at the bottom of the well. See figure 2. Use caution as the acid level will rise rapidly after the bottom of the cell is filled. **DO NOT OVERFILL.**
7. Allow battery to stand for 30 minutes with the fill caps removed, while the plates absorb acid.
8. If acid level has fallen after the 30 minute standing period, refill each cell with battery acid to the split ring. Replace the fill caps.
9. Before discarding the empty container, neutralize any residue with baking soda and rinse container with water. Puncture container several times before discarding.
10. Charge the battery after the 30 minute standing period. **SLOW CHARGE THE BATTERY (DO NOT FAST CHARGE)** at a maximum bench rate of 5 amperes until the specific gravity reading is 1.265 (approximately 30 minutes).



**Battery contains sulfuric acid. Refer to warning on page 6.** Antidote: **EXTERNAL**—Flush with water. **INTERNAL**—Drink large quantities of water or milk. Follow with milk of magnesia, beaten egg or vegetable oil. Seek prompt medical attention. **EYES:** Flush with cool water for at least 15 minutes, then seek immediate medical attention.

**Since batteries produce explosive gases, keep all lighted materials (cigarettes, lighters, matches, etc.) away.** Be sure to charge battery only in well-ventilated areas.

**KEEP BATTERIES  
OUT OF THE REACH OF CHILDREN!**

### NOTE

After battery has been in service, add only distilled water to replace normal loss. Do not add acid.

### NOTE

This engine is equipped with an alternator. The current for the battery charger alternator is unregulated. During normal operation, it is only necessary to charge the battery:

1. When it is activated for the first time.
2. Before winter storage.
3. Before using the tractor after winter storage.

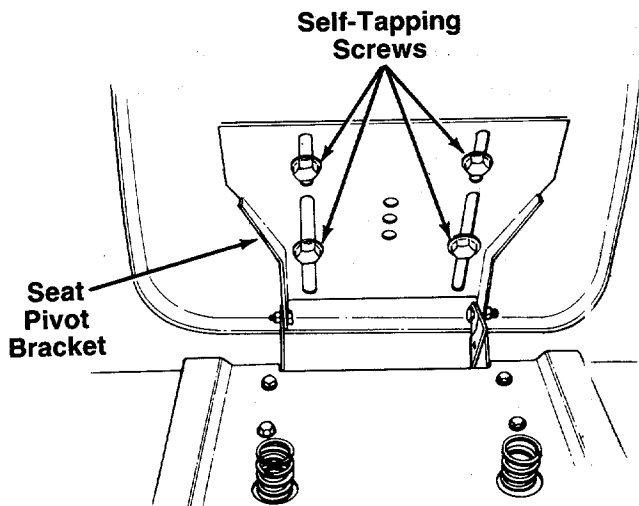


FIGURE 3.

#### SEAT ASSEMBLY (Hardware A)

Place the seat in position against the seat pivot bracket, lining up the slotted holes in the pivot bracket with the holes in the seat. Select desired position for the seat, and secure with hex self-tapping screws. See figure 3.

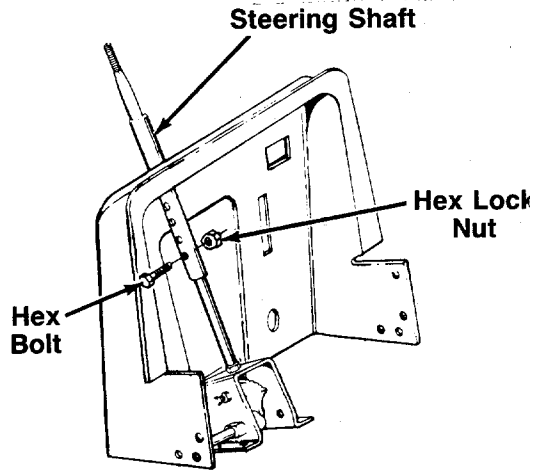


FIGURE 4.

#### STEERING WHEEL INSTALLATION (Hardware B)

1. There are four height positions for the steering wheel. For shipping purposes, the steering shaft is assembled in the lowest position. Lift the hood of the tractor. Remove the hex bolt and hex lock nut on the steering shaft. Raise the shaft to desired position and secure with hex bolt and hex lock nut. See figure 4.

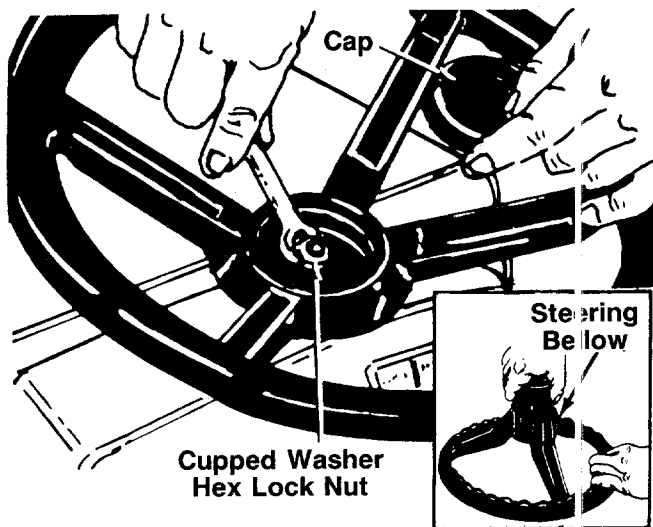


FIGURE 5.

2. Attach one end of the plastic steering bellow to the steering wheel as shown in figure 5, inset.
3. Position the front wheels of the tractor so they are pointing straight forward.
4. Place the steering wheel (with steering bellow attached) over the steering shaft extending through the dash, positioning steering wheel as desired.
5. Place the washer with the cupped side down over the steering shaft. Secure with 5/16" hex lock nut. See figure 5.
6. Place the steering wheel cap over the center of the steering wheel and seat it with your hand.



## INSTALLING THE BATTERY (Hardware C)

### NOTE

The positive battery terminal is marked Pos. (+). The negative battery terminal is marked Neg. (-).

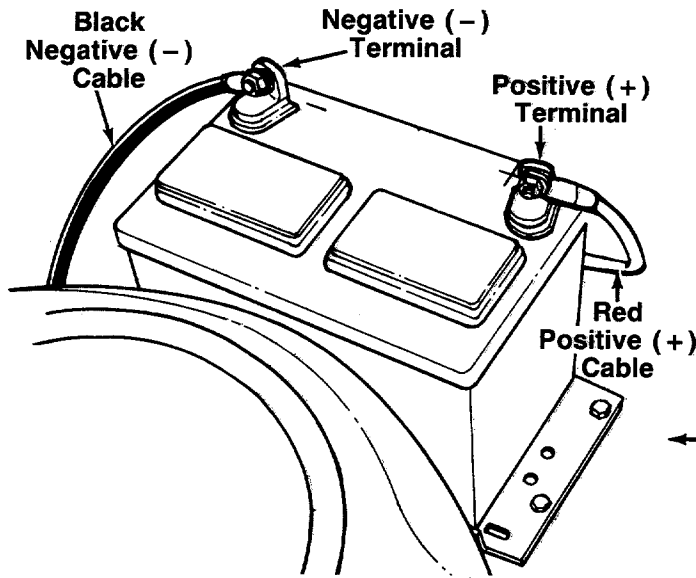


FIGURE 6.

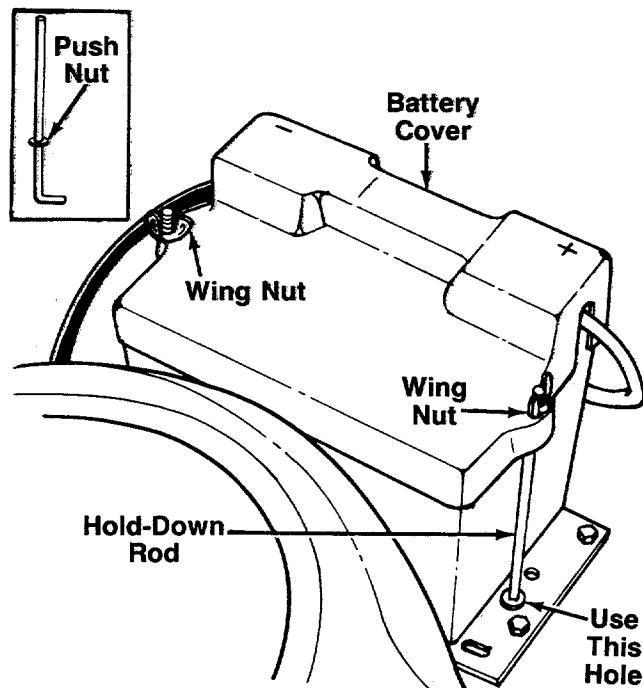


FIGURE 7.

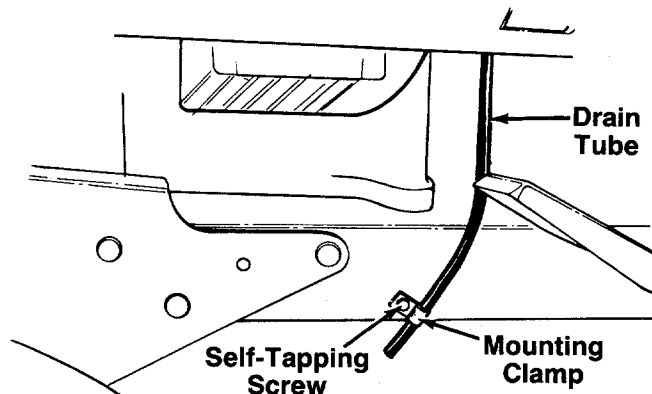


FIGURE 8.

1. Place the battery on the battery plate with the terminals towards the rear of the tractor.
2. Attach the positive cable (heavy red wire) to the positive battery terminal (+) with hex bolt 5/8" long, 1/4" lock washer and hex nut. See figure 6.
3. Attach the negative cable (heavy black wire) to the negative battery terminal (-) with the other hex bolt 5/8" long, 1/4" lock washer and hex nut.

4. Attach one push nut to each battery hold-down rod. See figure 7, inset.
5. Hook one hold-down rod into the hole in battery plate beside the battery as shown in figure 7. Slide the push nut down the rod, against the battery plate. Place the black plastic battery cover in position over the hold-down rod. Secure with wing nut.
6. Attach other hold-down rod to the other side of battery cover in the same manner.

7. Route the battery drain tube over to the left side of the tractor. Slip the end of the drain tube into the mounting clamp provided in hardware pack. Secure the mounting clamp to the tractor frame using the self-tapping screw as shown in figure 8.

### NOTE

The vented battery allows any gases or liquid from the battery to be drained onto the ground.

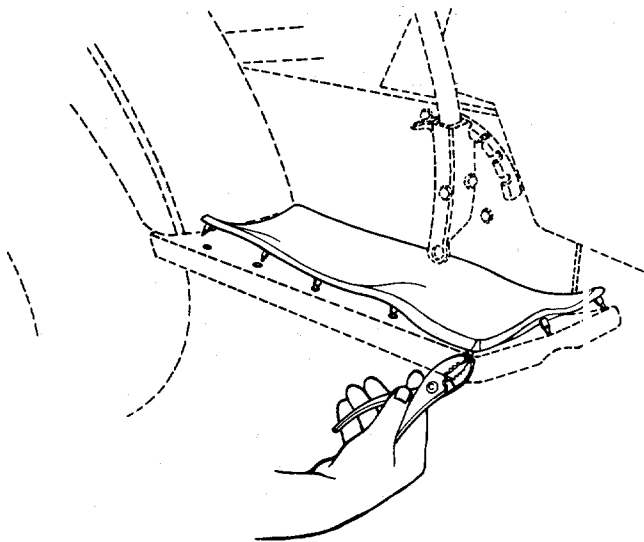


FIGURE 9.

### FINAL ASSEMBLY

1. Position one foot pad on top of the running board on the tractor, lining up the studs on the bottom of pad with the holes in the running board. Pull the studs through the holes in the running board using a pair of pliers. Repeat on other side of tractor. See figure 9.

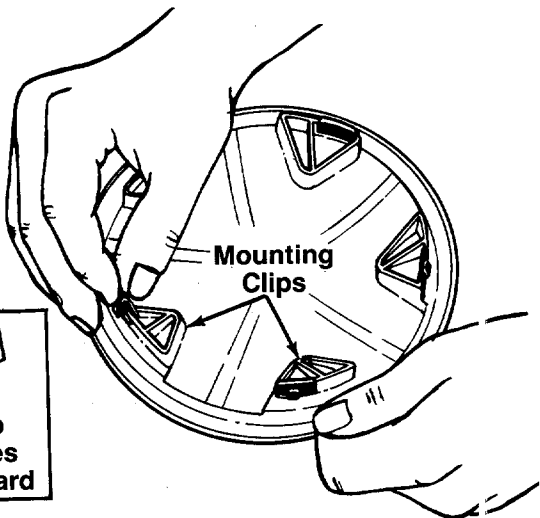


FIGURE 10.

2. If your tractor is equipped with optional hub caps, attach the four hub caps as follows.
  - a. Slide five mounting clips on each hub cap as shown in figure 10, with the tabs on the mounting clips facing outward.
  - b. Line up hub caps with wheel rims. Push hub caps on by hand.
3. Make certain **all** nuts and bolts are tightened securely.



### TIRE PRESSURE

The tires on your unit may be over-inflated for shipping purposes. Reduce the tire pressure before operating the unit. Recommended operating tire pressure is approximately 12 p.s.i. (check sidewall of tire for tire manufacturer's recommended pressure).



Maximum tire pressure under any circumstances is 30 p.s.i. Equal tire pressure should be maintained on all tires.

# CONTROLS

## IGNITION SWITCH

The ignition switch is located on the dashboard. Turn the key to the START position to start the engine. When the engine is running, leave the key in the ON position. To stop the engine, turn the key to the OFF position. See figure 11.



### WARNING

Remove the key from the tractor when the tractor is not in use to prevent accidental starting.

## THROTTLE CONTROL

The throttle control is located on the left side of the dashboard and is used to regulate the engine speed. See figure 11. The engine should be operated from  $\frac{3}{4}$  to full throttle (FAST) when operating any equipment that uses the tractor engine as a source of power such as the mowing deck, snow thrower or rotary tiller.

## CHOKE CONTROL

The choke control is located on the right side of the dashboard and is operated manually. Details for the choke operation are covered in the separate engine manual packed with your unit. See figure 11.

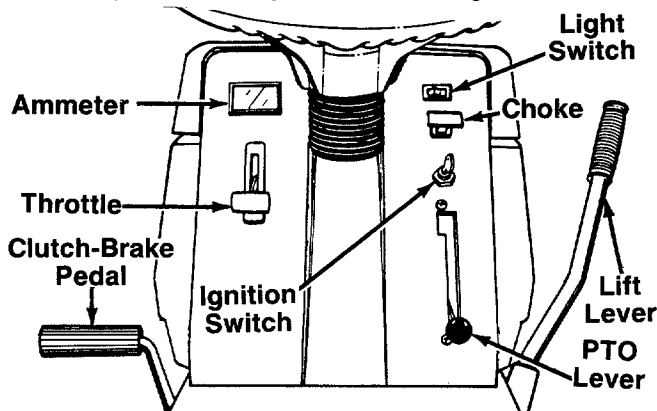


FIGURE 11A.—Models 813, 818, 823 and 828

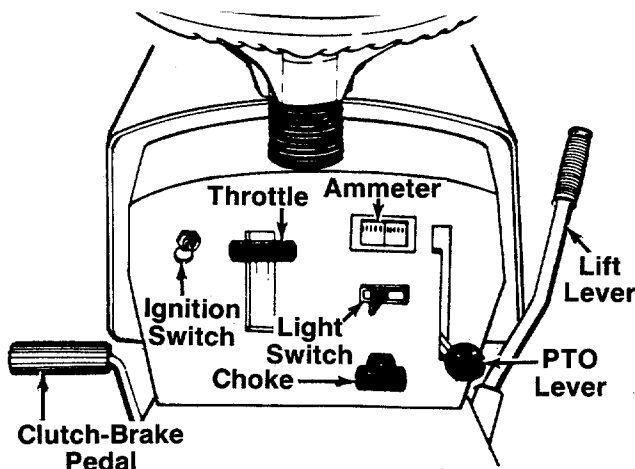


FIGURE 11B.—Models 812, 817, 822 and 827

## LIGHT SWITCH

The head lamps are operated by pushing the light switch located on the dashboard. The head lamps will only operate when the engine is running. See figure 11.

## AMMETER

The ammeter registers the rate of battery charge or discharge. The ammeter will register on the discharging side with starting the engine. It should register on the opposite side (charging) when the engine is running in the fast position until the battery is completely charged. With a fully charged battery or with the engine idling, the ammeter will not show a charge. See figure 11.

## CLUTCH-BRAKE PEDAL

The clutch-brake pedal is located on the left side of the tractor. See figure 11. Depressing the clutch-brake pedal partway disengages the clutch. Pressing the pedal all the way down disengages the clutch and engages the disc brake.



The clutch-brake pedal must be depressed to start the engine.

## SHIFT LEVER

The shift lever is located in the center of the console and has four positions, HIGH, LOW, NEUTRAL and REVERSE. See figure 12. The clutch-brake pedal must be depressed and the lawn tractor must not be moving when shifting gears. Do not force the shift lever. Release the clutch-brake pedal slightly to line up the shifting collar in the transmission. Then try to shift gears.

## PARKING BRAKE

To set the parking brake, depress the clutch-brake pedal and pull up the parking brake knob. It will stay in the raised position. To release the parking brake, depress and release the clutch-brake pedal. See figure 12.

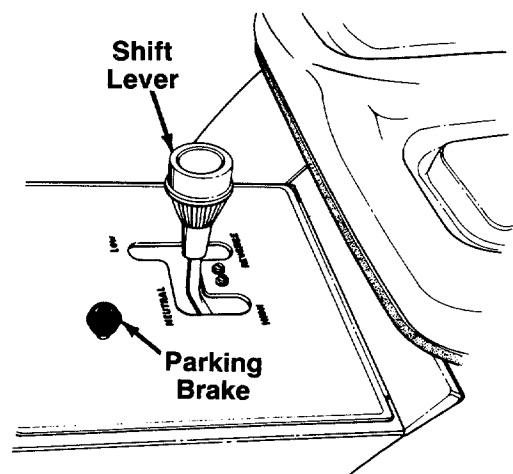


FIGURE 12.

## SPEED CONTROL LEVER

The speed control lever is located on the left fender. It allows you to regulate the ground speed of the lawn tractor. See figure 13. To select the ground speed, depress clutch pedal. Push speed control lever outward and move backward to slow lawn tractor, move forward to increase speed. When desired speed has been obtained, release lever in that position. Whenever clutch is engaged, unit will automatically go to the pre-set speed.

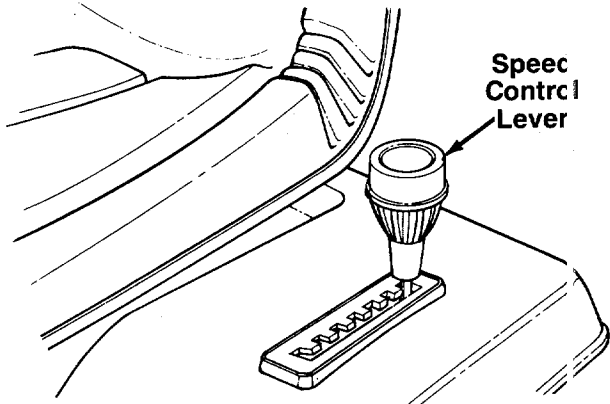


FIGURE 13.

## LIFT LEVER

The five position lift lever is used to change the operating position of the attachments. To operate, pull the lever towards you. To release, move the lever to the right and then forward. See figure 11.

## POWER TAKE-OFF (PTO) LEVER

The PTO lever is located on the right side of the dashboard. The PTO lever is used to engage and disengage the power to the attachments. To engage the PTO, lift the lever slowly and lock it into the notch. See figure 11.

### NOTE

The PTO lever **must** be in the disengaged position (down) when starting the engine when shifting into reverse and if the operator leaves the seat.

## OPERATION

### CAUTION

- READ OPERATOR'S MANUAL(S)
- NEVER CARRY CHILDREN
- KNOW LOCATION AND FUNCTION OF ALL CONTROLS
- KEEP SAFETY DEVICES (GUARDS, SHIELDS AND SWITCHES) IN PLACE AND WORKING
- REMOVE OBJECTS THAT COULD BE THROWN BY BLADE(S)
- DO NOT OPERATE THE UNIT WHEN CHILDREN AND OTHERS ARE AROUND
- ALWAYS LOOK BEHIND THE UNIT BEFORE BACKING UP
- DO NOT OPERATE THE UNIT WHERE IT COULD SLIP OR TIP
- IF THE UNIT STOPS GOING UPHILL, STOP BLADE(S) AND BACK SLOWLY DOWNHILL
- BE SURE BLADE(S) AND ENGINE ARE STOPPED BEFORE PLACING HANDS OR FEET NEAR BLADE(S)
- BEFORE LEAVING OPERATOR'S POSITION, SHUT ENGINE OFF AND REMOVE KEY

## GAS AND OIL FILL-UP

Service the engine with gasoline and oil as instructed in the separate engine manual packed with your tractor. Read instructions carefully.

The gasoline tank is located under the seat. The filler neck is behind the seat. Do not overfill.

### NOTE

Your tractor is shipped without oil; however, a small amount of oil may be present from the factory. Do not overfill.



Never fill fuel tank indoors, with engine running or while engine is hot.

## STARTING THE ENGINE

### NOTE

This unit is equipped with a **safety interlock system** for your protection. The purpose of the safety interlock system is to prevent the engine from cranking or starting unless the clutch-brake pedal is depressed and the PTO lever is in the disengaged position. In addition, the PTO lever must be in the disengaged position when the unit is put into reverse or the engine will shut off. If the operator leaves the seat with the PTO lever engaged, the engine will shut off.



### WARNING

Do not operate the tractor if the interlock system is malfunctioning because it is a safety device, designed for protection.

1. Place the PTO lever in the disengaged (down) position.
2. Depress the clutch-brake pedal and set the parking brake.
3. Place the shift lever in the NEUTRAL position.
4. Set the throttle control in the FAST position.
5. Pull out the choke control. (A warm engine may not require choking.)
6. Turn the ignition key to the right to the START position. After the engine starts, release the key. It will return to the ON position.
7. Slowly push in the choke as the engine warms up.

### STOPPING THE ENGINE

Turn the ignition key to the left to the OFF position. Remove the key to prevent accidental starting.



### IMPORTANT

If you strike a foreign object, stop the engine. Remove wire from spark plug, thoroughly inspect the unit for any damage, and repair the damage before restarting and operating the mower.



### NOTE

If any problems are encountered, refer to the Trouble Shooting Chart on page 19.

### OPERATING THE TRACTOR

1. Start the engine as instructed previously.
2. Move throttle control to  $\frac{3}{4}$  or full throttle to prevent strain on the engine and to operate attachments.
3. Place the shift lever in one of the two forward positions (LOW or HIGH), or in REVERSE. Place the speed control lever in desired position. Use first speed position when operating the tractor for the first time.



### CAUTION

Look to the rear before backing up.

4. Release the parking brake by depressing the clutch-brake pedal. Release clutch-brake pedal slowly to put unit into motion.

5. The tractor is brought to a stop by depressing the clutch-brake pedal.
6. The cutting blades (or other attachment) may be engaged while the tractor is moving or standing still. DO NOT engage the cutting blades abruptly as the sudden belt tension on the pulley may cause the engine to stall.



### WARNING

Keep feet and hands away from the discharge opening, the blades or any part of the deck.



### NOTE

When operating the unit initially, there will be little difference between the highest two speeds until after the belts have seated themselves into the pulleys during the break-in period. Be certain to change oil in the crankcase after the first 5 hours of operation.

Be sure that the lawn is clear of stones, sticks, wire, or other objects which could damage tractor or engine. For best results and to insure more even grass distribution, do not mow when lawn is excessively wet.

When stopping the unit to empty a grass bag, etc., move the throttle to idle position to avoid "browning" the grass (caused by air from the engine hitting the same spot for a period of time). This "browning" is a temporary condition, which may not appear for 1 to 2 days after mowing.



### CAUTION

If the unit is not to be used for a long period, place the shift lever in NEUTRAL, stop the engine, set the parking brake and remove the key. DO NOT leave the machine on an incline.

If unit stalls with speed control in sixth or seventh speed, or if unit will not operate with speed control lever in first or second speed position, proceed as follows.

1. Place shift lever in NEUTRAL.
2. Restart engine.
3. Place speed control lever in seventh speed position.
4. Release clutch-brake pedal fully.
5. Depress clutch-brake pedal.
6. Place speed control lever in desired position.
7. Place shift lever in one of the forward positions (HIGH or LOW) or REVERSE, and follow normal operating procedures.

GRASS COLLECTOR Model 190-083 is available as optional equipment for tractors with 46" mowing decks.



**WARNING**

The mower should not be operated without the entire grass catcher or chute deflector in place.

**NOTE**

Under normal usage bag material is subject to wear, and should be checked periodically. Be sure any replacement bag complies with the mower manufacturer's recommendations.

For replacement bags, use only factory authorized replacement bag.

## ADJUSTMENTS



**WARNING**

Disconnect the spark plug wire and ground against the engine before performing any adjustments, repairs or maintenance.

### SEAT ADJUSTMENT

To adjust the position of the seat, loosen the four self-tapping screws on the bottom of the seat. See figure 3. Slide the seat forward or backward as desired. Retighten the self-tapping screws.

### SPEED CONTROL ADJUSTMENT (See figure 14)

**NOTE**

When operating the unit initially or after replacing the belts, there will be little difference between the sixth and seventh speeds until after the belts have gone through a break-in period and have seated themselves into the pulleys.

If speed control adjustment is needed, adjust the speed control links as follows. (A 1/2" shim or suitable spacer is required.)

1. Start the engine.
2. Place the shift lever in NEUTRAL position.
3. Place the speed control lever in seventh speed position.
4. Release the clutch-brake pedal completely, then slowly depress the pedal all the way (to park position). Hold the pedal in this position.
5. Turn the engine off.
6. After engine stops completely, release the clutch-brake pedal.
7. Disconnect the rear speed control link from the variable speed torque bracket by removing the cotter pin and flat washer.
8. Place the speed control lever in the first position.
9. Disconnect the front speed control link from the variable speed torque bracket by removing the cotter pin and flat washer.

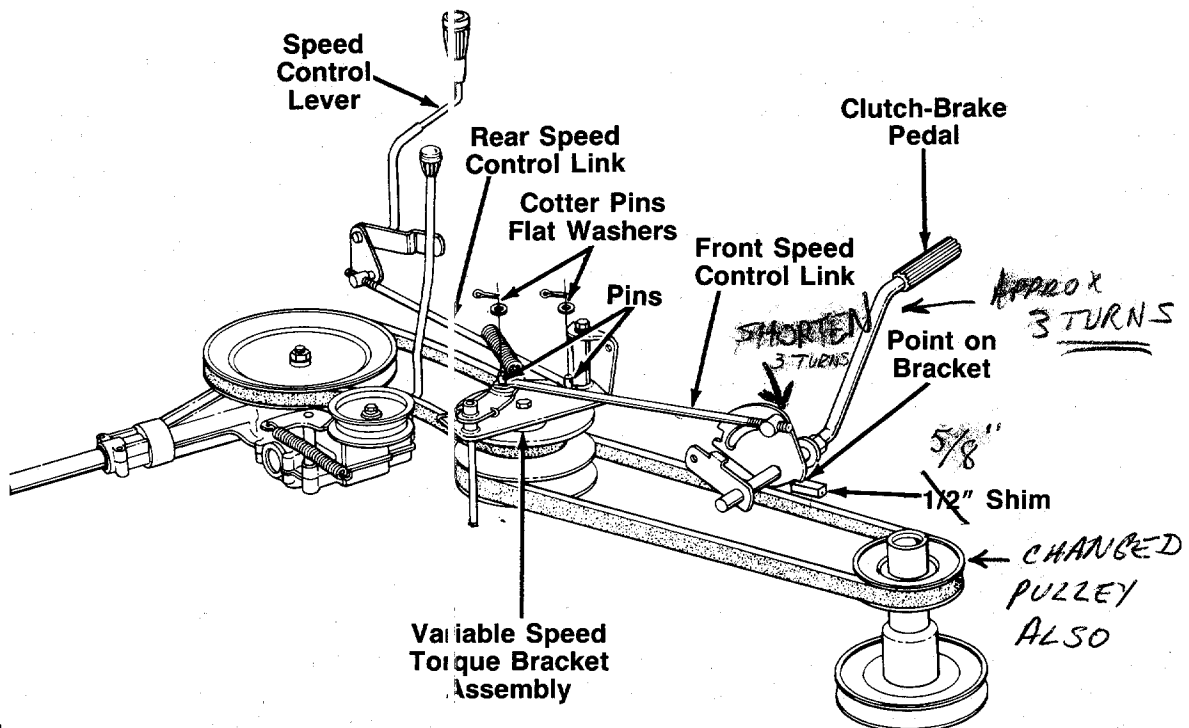


FIGURE 14.

10. Place a 1/2" shim or other suitable object under the point on the bracket on the clutch-brake pedal as shown.
11. Thread the front speed control link in or out of the ferrule until the hole in the link lines up with the pin on the variable speed torque bracket. Secure with the flat washer and cotter pin removed in step 9.
12. Push the rear speed control link backward using light pressure, and hold it in this position as you thread it into or out of the ferrule until the hole in the link lines up with the pin on the variable speed torque bracket. Then turn the link clockwise two more times (making it longer).
13. Move the speed selector toward the right so the hole in the rear speed control link fits over the pin on the variable speed torque bracket. Secure with the flat washer and cotter pin removed in step 7.
14. Remove the 1/2" shim from beneath the bracket on the clutch-brake pedal.

#### LEVELING THE DECK

1. Check tire pressure in all four tires. Recommended pressure is approximately 12 p.s.i.
2. Make certain all deck wheels are mounted in same relative location.
3. On a level surface, engage the PTO and lower the deck until it reaches the ground.

All four deck wheels should reach the ground at the same time. If they do not, adjust the deck links as necessary.

#### NOTE

When adjusting the deck links, disengage the PTO. Remove the hairpin clip and washer from the weld bolt. Thread eyebolt up or down the link as necessary, and reassemble.

4. Raise the deck 1/2" to 1" above the ground.  
Check to be certain the distance from the bottom edge of the deck to the ground is the same on both sides of the deck. If it is not, adjust the links on the left side of the unit.  
Check to be certain the front of the deck is 1/4" to 3/8" lower than the rear of the deck. If it is not, adjust the two front links to obtain this distance.

#### STEERING WHEEL ADJUSTMENT

There are four height positions for the steering wheel. To adjust the height of the steering wheel, remove the hex bolt and hex lock nut on the steering shaft. Place the steering wheel in the position desired and secure with hex bolt and hex lock nut. Refer to figure 4.

#### NOTE

When raising the height of the steering wheel, stretch the steering bellow to cover the steering shaft.

The steering shaft may also be adjusted if there is too much play between the steering gear and segment. To adjust, loosen the hex bolt and nut on the front of the bearing retainer bracket. See figure 15. Pry the bearing retainer bracket toward the right until the steering gear engages solidly into the teeth of the steering segment. Retighten the hex bolt and nut.

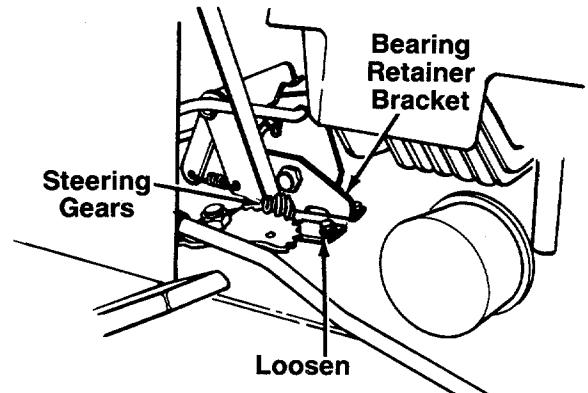


FIGURE 15.

#### BRAKE ADJUSTMENT (See figure 16)

The brake is located on the left side of the transaxle. During normal operation of this machine, the brakes are subject to wear and will require periodic examination and adjustment.



Do not adjust the brake while the engine is running. Be sure to block the wheels of the tractor before making the brake adjustment.

To adjust the brake, remove the cotter pin. Adjust the castle nut so the brake starts to engage when the brake lever is 1/4" to 5/16" away from the axle housing.

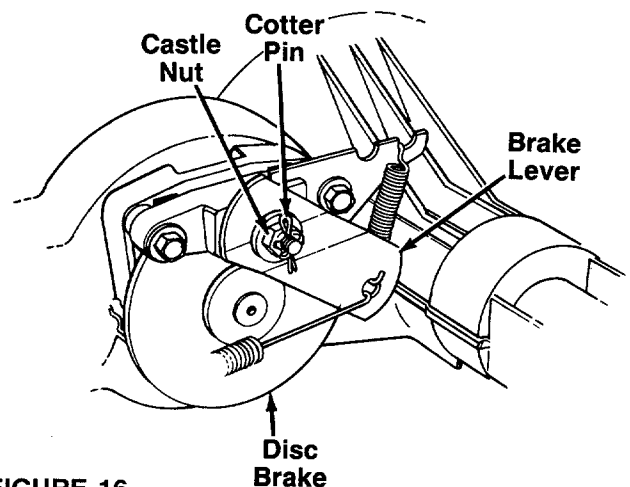


FIGURE 16.

## CARBURETOR ADJUSTMENTS



### WARNING

If any adjustments are made to the engine while the engine is running (e.g. carburetor), disengage all clutches and blades. Keep clear of all moving parts. Be careful of heated surfaces and muffler.

Minor carburetor adjustments may be required to compensate for differences in fuel, temperature, altitude and load. Refer to separate engine manual for carburetor adjustment information.

### NOTE

A dirty air cleaner will cause an engine to run rough. Be certain air cleaner is clean and attached to the carburetor before adjusting carburetor.

## LUBRICATION



### WARNING

Always stop engine and disconnect spark plug wire before cleaning, lubricating or doing any kind of work on lawn tractor.

### STEERING GEARS

Lubricate teeth of steering gears with automotive multi-purpose grease after every 25 hours of operation or once a season. Refer to figure 15.

### STEERING SHAFT

Lubricate steering shaft at least once a season with light oil.

### TRANSAXLE

The transaxle is lubricated and sealed at the factory and does not require checking. If disassembled for any reason, lubricate with 16 oz. of Benalene grease #372-0, part number 737-0223.

### LINKAGE

Once a season lubricate all the pivot points on the clutch, brake and lift linkage with SAE 30 engine oil.

### FRONT WHEELS

The front wheels are provided with grease fittings. The rear wheels must be removed from the axle for lubrication. Lubricate at least once a season with automotive multi-purpose grease.

## PIVOT POINTS

Lubricate all pivot points with light oil at least once a season.

## BALL JOINTS

The ball joints and drag link ends are permanently lubricated.

## MAINTENANCE



### WARNING

Disconnect the spark plug wire and ground against the engine before performing any adjustments, repairs or maintenance.

## TROUBLE SHOOTING

Refer to the chart on pages 19 and 20 for trouble shooting engine problems.

## CRANKCASE OIL

Check the oil level in the crankcase before each use of the machine and after every two hours of operation. Oil level should be maintained as instructed in the separate engine manual.

After the first two hours of operating a new engine, drain the oil from the crankcase while engine is still hot and refill crankcase with new oil; thereafter change the oil after every 25 hours of operation. Refer to the engine manual.

## FUEL FILTER

Your unit is equipped with a replaceable in-line fuel filter. Replace filter whenever contamination or discoloration is noticed. Order replacement filter through your authorized engine service dealer.

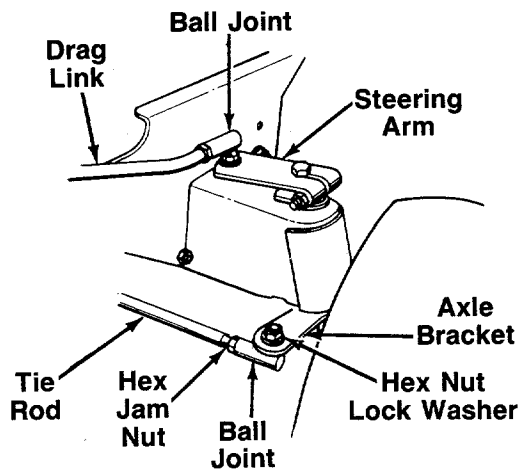
## WHEEL ADJUSTMENT

The caster (forward slant of the king pin) and the camber (tilt of the wheels out at the top) require no adjustment. Automotive steering principles have been used to determine the caster and camber on the tractor. The front wheels should toe-in 1/8 inch.

To adjust the toe-in, follow these steps.

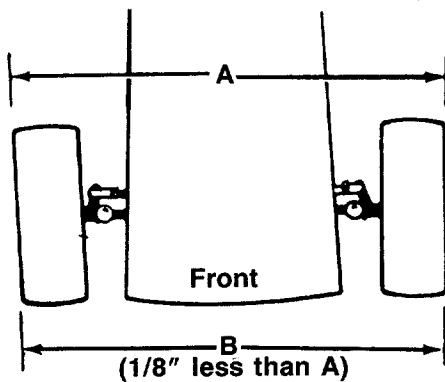
1. Remove the hex nut and lock washer, and drop the end of the tie rod from the axle bracket. See figure 17.
2. Loosen the hex jam nut on tie rod.
3. Adjust the tie rod assembly for correct toe-in.





**FIGURE 17.**

Dimension "B" should be approximately 1/8" less than Dimension "A." See figure 18. To increase Dimension "B," screw tie rod into tie rod end. To decrease Dimension "B," unscrew tie rod from tie rod end. Reassemble tie rod. Check dimensions. Readjust if necessary.



**FIGURE 18.**

#### DRAG LINK

If the drag link or ball joints are changed, the new assembly must be adjusted to the exact same length as the original. If adjusted incorrectly, it will allow the tractor to turn sharper one direction than the other.

To take off the drag link, remove the nuts and lock washers holding the ball joint to the steering gear and right front axle bracket. See figure 17.

#### ENGINE

Refer to separate engine manual for all engine maintenance procedures.

#### MAINTENANCE OF BATTERY

1. Check electrolyte level periodically (at least every two weeks). Keep the level to the split rings. Use only distilled water or a good quality drinking water. Never add acid or any other chemicals to the battery after initial activation.
2. The battery should be checked with a hydrometer after every 25 hours of operation. If the specific

gravity is less than 1.225, the battery should be recharged. Maximum charge rate 5 AMPS.

3. Coat the terminals and exposed wire with a thin coat of grease or petroleum jelly for longer service and protection against corrosion.
4. The battery should be kept clean. Any deposits of acid should be neutralized with soda and water. Be careful not to get this solution in the cells.
5. Avoid tipping the battery. Even a "sealed" battery will leak electrolyte when tipped.

#### STORAGE OF THE BATTERY

1. Charge battery using normal methods. NEVER store discharged battery as it will not recover.
2. When storing battery for extended periods, disconnect battery cables. Removing battery from unit is recommended.
3. Store in cold, dry place.
4. Recharge battery whenever the specific gravity is less than 1.225, before returning to service, or every two months, whichever occurs first.

#### COMMON CAUSES FOR BATTERY FAILURE

1. Overcharging
2. Undercharging
3. Lack of water
4. Loose hold downs and/or corroded connections
5. Excessive loads
6. Battery electrolyte substitutes
7. Freezing of electrolyte

#### NOTE

These failures do not constitute warranty.

#### BATTERY REMOVAL OR INSTALLATION



When removing the battery, follow this order of disassembly to prevent your wrench from shorting against the frame.

1. Remove the Negative cable.
2. Remove the Positive cable.

To install a battery:

1. Attach the Positive cable.
2. Attach the Negative cable.

#### JUMP STARTING

1. Attach the first jumper cable from the Positive terminal of the good battery to the Positive terminal of the dead battery.
2. Attach the second jumper cable from the Negative terminal of the good battery to the FRAME OF THE UNIT WITH THE DEAD BATTERY.



**WARNING**

Failure to use this starting procedure could cause sparking, and the gases in either battery could explode.

**TIRES**

Recommended operating tire pressure is approximately 12 p.s.i. (check sidewall of tire for tire manufacturer's recommended pressure). Maximum tire pressure under any circumstances is 30 p.s.i. Equal tire pressure should be maintained on all tires.

When installing a tire to the rim, be certain rim is clean and free of rust. Lubricate both the tire and rim generously. Never inflate to over 30 p.s.i. to seal beads.



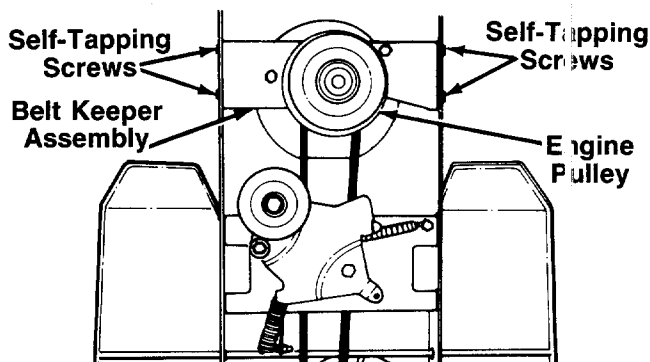
**WARNING**

Excessive pressure (over 30 p.s.i.) when seating beads may cause tire/rim assembly to burst with force sufficient to cause serious injury.

**BELT REPLACEMENT**

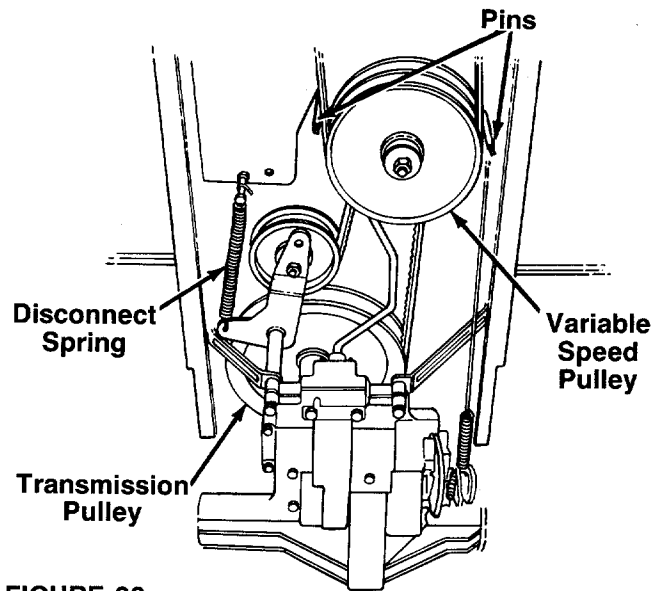
**Front Drive Belt**

1. Depress the clutch pedal and set parking brake.
2. Remove the deck from the tractor.
3. Raise and block the front wheels of the tractor so you can work under it.
4. Remove the four self-tapping screws which hold the belt keeper assembly to the frame at the engine pulley. Push the belt keeper assembly forward, out of the way. See figure 19.



**FIGURE 19.**

5. Remove the two pins which act as belt keepers by the variable speed pulley. See figure 20.
6. Roll the belt off the variable speed pulley, then remove from the engine pulley.
7. Reassemble the new belt, following instructions in reverse order.



**FIGURE 20.**

**Rear Drive Belt**

1. First remove the front drive belt as instructed in the previous section.
2. Disconnect the spring which secures the idler pulley to the frame.
3. Remove the transmission cover by unscrewing the two knobs, and removing two truss machine screws.
4. Roll the belt over the top of the transmission pulley. Remove belt from the variable speed pulley.
5. Reassemble the new belt, following instructions in reverse order.

**OFF-SEASON STORAGE**

If the machine is to be inoperative for a period longer than 30 days, prepare for storage as follows.

1. Clean the engine and the entire unit thoroughly.
2. Lubricate all lubrication points. Wipe the entire machine with an oiled rag to protect the surfaces.
3. Refer to the engine manual for correct engine storage instructions. The engine must be completely drained of fuel to prevent gum deposits from forming on essential carburetor parts, fuel lines and fuel tanks.
4. Refer to battery storage instructions on page 17.
5. Store unit in a clean, dry area.

**NOTE**

When storing any type of power equipment in an unventilated or metal storage shed, care should be taken to rustproof the equipment. Using a light oil or silicone, coat the equipment, especially any chains, springs, bearings and cables.

# TROUBLE SHOOTING CHART FOR ELECTRIC START MODELS

TROUBLE	LOOK FOR	REMEDY
<p>Engine will not crank</p>	<p>Battery installed incorrectly</p>	<p>The battery must be installed with the negative terminal, identified at the terminal post by (Neg, N or -), grounded. The positive terminal (Pos, P or +) attaches to the large cable from the solenoid. The small red wire from the fuse holder or circuit breaker is also attached to the positive terminal.</p>
	<p>Blown fuse or circuit breaker</p>	<p>Replace fuse with 7½ amp. fuse ¼ x 1¼" lg. Circuit breaker will reset itself when it cools off. Fuses or circuit breakers seldom open or fail without a reason. The problem must be corrected. Check for loose connections in the fuse holder. Replace fuse holder if necessary. A dead short may be in the cranking or charging circuit where the insulation may have rubbed through and exposed the bare wire. Replace the wire or repair with electrician's tape if the wire strands have not been damaged. Note: Look for a wire pinched between body panels, burned by the exhaust pipe or muffler or rubbed against a moving part.</p>
	<p>Battery is dead or weak</p>	<p>Use a hydrometer to check the condition of the battery. The Specific Gravity (s.g.) should be 1.265 at 80°F. (1.215 s.g. minimum needed for cranking engine). The reason for the battery failing must be determined. (1) Defective battery. Battery will not accept or hold a full charge. (2) Short circuit. Check for grounded wire. (3) Charging system not working.</p> <p>The charging system is an alternator located under the flywheel. It is unregulated and rated 3 amp. at 3600 r.p.m. A diode (rectifier) is located in the output lead just before the wire harness plug on the engine side.</p> <div style="text-align: center;"> </div> <p>The diode changes A.C. to D.C. to charge the battery. A bad diode can either fail to charge the battery or discharge the battery if the alternator is shorted as well as the diode. To test: (1) Disconnect charger lead from the battery (small red wire). (2) Connect 12 V small test lamp between the 3 amp. D.C. charge lead and the positive terminal of the battery. (3) With the engine off, the lamp should not light. If it does, the diode and possibly the alternator should be replaced. (4) Start the engine. The lamp should light. If it does not, the alternator (stator) or lead wire is bad and should be replaced.</p>
<p>Mechanical failure (Wires and switches)</p>	<p>The interlock system includes two mechanical activated switches which are wired in series in the circuit used to energize the starter solenoid. While testing the interlock system, you will make the mower temporarily unsafe by permitting the engine to be started with the blade and clutch engaged. <b>WARNING:</b> While testing, disengage the clutch, shut off the blade control, set the parking brake and place the gear shift lever in neutral. Attach a wire (minimum 18 gauge) to the positive terminal of the battery and touch the other end to the small terminal on the solenoid. <b>If the engine does not crank:</b> (1) There is a loose connection or poor ground. (2) The solenoid may be bad. The solenoid can be checked by using a heavy wire (#8 gauge minimum) and jumping between the two large terminals. If the engine cranks, the solenoid is bad. (3) If the engine does not crank when you jump the solenoid, have the starter motor tested by an authorized engine dealer. If the engine does crank, the problem is with one of the safety switches, ignition switch or the wire between the fuse holder (or circuit breaker) and the small terminal on the solenoid. Note: Look for a poor connection at the switches or a defective switch. Replace if necessary.</p>	
<p>Engine cranks but will not start</p>	<p>Throttle or choke not in starting position</p>	<p>Check owner's guide for correct position for throttle control and choke for starting.</p>
<p>Engine cranks but will not start</p>	<p>No spark to spark plug</p>	<p>Spark plug lead disconnected. Connect lead. Hold spark plug lead away from engine block about 1/8". Crank engine. There should be a spark. If not, have engine repaired at authorized engine service dealer.</p> <p>Faulty spark plug. To test, remove spark plug. Attach spark plug lead to spark plug. Ground the spark plug body against the engine block. Crank the engine. The spark plug should fire at the electrode. Replace if it does not.</p>

## TROUBLE SHOOTING CHART FOR ELECTRIC START MODELS

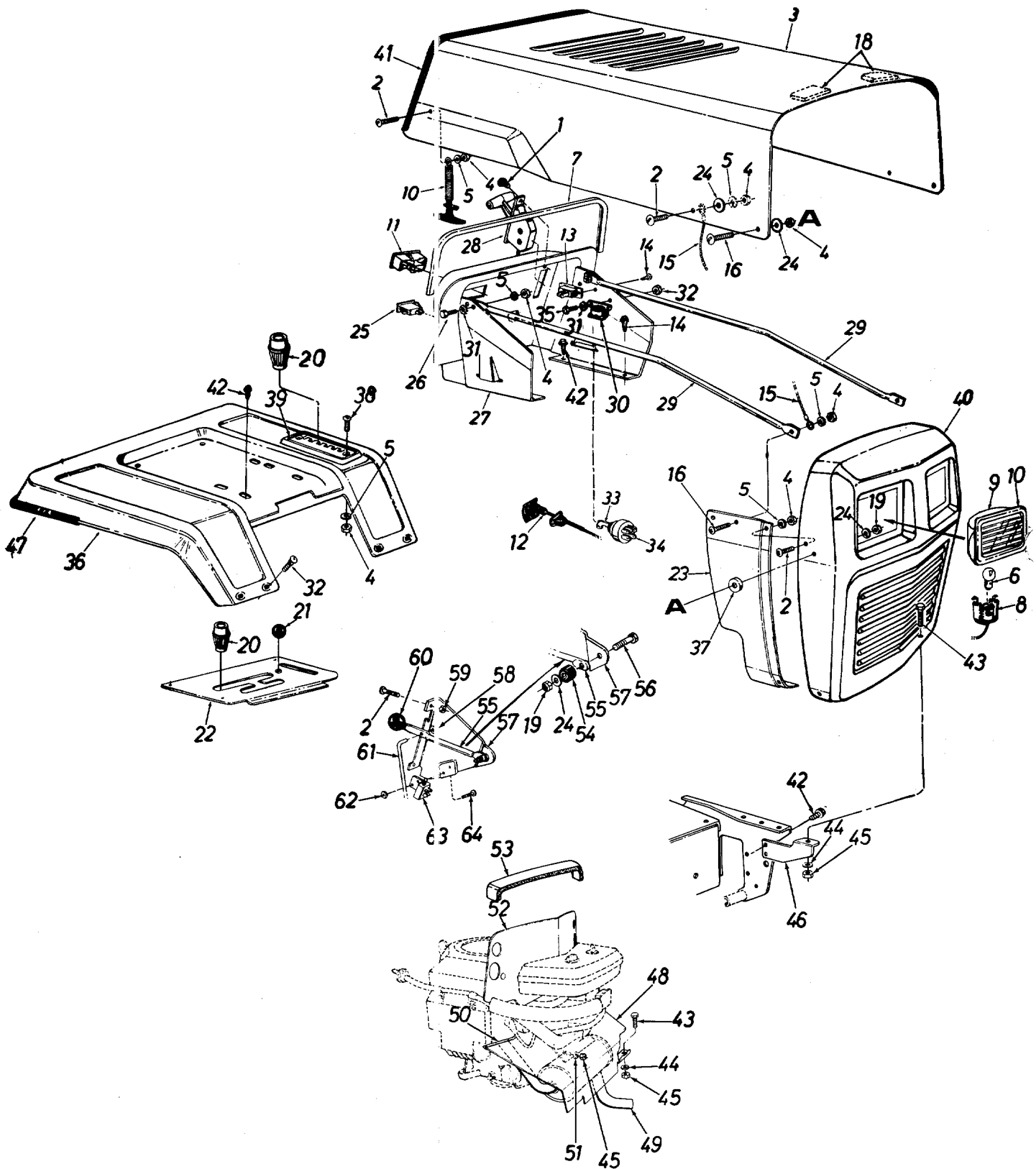
TROUBLE	LOOK FOR	REMEDY
	No fuel to the carburetor	Gasoline tank empty. Fill. Fuel line or in-line fuel filter plugged. Remove and clean fuel line. Replace filter if necessary.
	Air filter dirty	If the air cleaner is dirty, the engine may not start. Clean or replace as recommended by the engine manufacturer.
Engine smokes	Engine loses crankcase vacuum	Dipstick not seated or broken. Replace defective part. Engine breather defective. Replace.
Excessive vibration	Bent or damaged blade spindle	<b>Stop engine immediately.</b> Check all pulleys, blade adapters, keys and bolts for tightness and damage. Tighten or replace any damaged parts.
	Bent blade	<b>Stop engine immediately.</b> Replace damaged blade. Only use original equipment blades.
Mower will not discharge grass or leaves uncut strips	Engine speed low Transmission selection Blades short or dull	Throttle must be set between 3/4 and full throttle. Use lower transmission speed. The slower your ground speed, the better the quality of cut. Sharpen or replace blades (uncut strip problem only).

**PARTS LIST FOR MODELS 812 AND 822 GARDEN TRACTORS**

REF. NO.	PART NO.	CODE	DESCRIPTION	REF. NO.	PART NO.	CODE	DESCRIPTION
1	710-0779A	N	Truss Mach. AB-Tap Scr. #10 x .5" Lg.	33	725-0201		Ignition Key
2	710-0286		Truss Mach. Scr. 1/4-20 x .5" Lg.*	34	725-0267		Ignition Switch
3	13808	638	Hood	35	710-0289		Hex Bolt 1/4-20 x .5" Lg.
4	712-0287		Hex Nut 1/4-20 Thd.*	36	17426		Rear Fender
5	736-0329		L-Wash. 1/4" I.D.*	37	735-0144		Rubber Washer
6	725-0963		Lamp	38	710-0946		Truss Mach. Scr. 1/4-20 x .62" Lg.
7	731-0511		Trim Strip 29" Lg.	39	731-1071	N	7-Speed Index Brkt.
8	725-1058		Socket	40	17026	638	Grille
9	731-0705		Headlight Housing	41	731-0511		Trim Strip 30" Lg.
10	731-0706		Lens	42	710-0726		Hex Wash. AB-Tap Scr. 5/16 x .75" Lg.
11	725-0925		Ammeter	43	710-0118		Hex Bolt 5/16-18 x .75" Lg.*
12	746-0613A	N	Choke Control 46" Lg.	44	736-0119		L-Wash. 5/16" I.D.*
13	725-0459		Circuit Breaker 8 Amp	45	712-0267		Hex Nut 5/16-18 Thd.*
14	710-0599		Hex Tap Scr. #10 x .5" Lg.	46	17004		Grille Mtg. Bracket—R.H.
15	727-0199		Hood Stop		17005		Grille Mtg. Bracket—L.H.
16	710-0255		Truss Mach. Scr. 1/4-20 x .75" Lg.	47	731-0511		Trim Strip 81" Lg.
17	723-0296		Hood Latch Ass'y.	48	16934	N	Front Heat Shield
18	722-0157		Foam Strip	49	751-0474	N	Muffler
19	712-0107		Hex Patch L-Nut 1/4-20 Thd.	50	731-0511		Trim Strip 10" Lg.
20	720-0218		Shift Knob	51	736-0170		Spec. L-Wash. 5/16" I.D.
21	720-0166		Ball Knob Brake	52	14282B	N	Top Heat Shield
22	17400	N	Transmission Cover	53	722-0138		PVC Foam
23	16622	638	Grille Side Panel—R.H.	54	735-0126		Rubber Washer
	16621	638	Grille Side Panel—L.H. (Not Shown)	55	747-0513		PTO Lever
24	736-0173		Fl-Wash. .281" I.D. x .73" O.D.	56	710-0106		Hex Bolt 1/4-20 x 1.25" Lg.
25	725-0634		Light Switch	57	13950A	N	Deck Clutch Control Brkt.
26	710-0166		Truss Mach. Scr. 1/4-20 Thd.	58	726-0106		Push Cap
27	16427	N	Dash Panel Ass'y.	59	712-0271		Hex Sems Nut 1/4-20 Thd.
28	831-0823A	N	Throttle Control Box Ass'y.	60	720-0165		Knob—Blade Clutch
29	749-0720		Grille Support Rod	61	747-0307		Deck Control Rod
30	725-0771		Solenoid	62	712-0121		Hex Nut #10-24 Thd.
31	736-0222		Ext. L-Wash. 1/4" I.D.	63	725-0465A	N	Safety Switch
32	710-0167		Carriage Bolt 1/4-20 x .5" Lg.	64	710-0473		Truss Mach. Scr. #10-24 x .5" Lg.

\*For faster service obtain standard nuts, bolts and washers locally.  
If these items cannot be obtained locally, order by part number and size as shown on parts list.

Keep this sheet with your owner's guide for ordering replacement parts.  
**Style 2**



**PARTS LIST FOR MODELS 812 AND 822 GARDEN TRACTORS**

REF. NO.	PART NO.	CODE	DESCRIPTION	REF. NO.	PART NO.	CODE	DESCRIPTION
1	710-0779A	N	Truss Mach. AB-Tap Scr. #10 x .5" Lg.	33	725-0201		Ignition Key
2	710-0286		Truss Mach. Scr. 1/4-20 x .5" Lg.*	34	725-0267		Ignition Switch
3	13808	638	Hood	35	710-0289		Hex Bolt 1/4-20 x .5" Lg.
4	712-0287		Hex Nut 1/4-20 Thd.*	36	17426		Rear Fender
5	736-0329		L-Wash. 1/4" I.D.*	37	735-0144		Rubber Washer
6	725-0963		Lamp	38	710-0946		Truss Mach. Scr. 1/4-20 x .62" Lg.
7	731-0511		Trim Strip 29" Lg.	39	731-1071	N	7-Speed Index Brkt.
8	725-1058		Socket	40	17026	638	Grille
9	731-0705		Headlight Housing	41	731-0511		Trim Strip 30" Lg.
10	731-0706		Lens	42	710-0726		Hex Wash. AB-Tap Scr. 5/16 x .75" Lg.
11	725-0925		Ammeter	43	710-0118		Hex Bolt 5/16-18 x .75" Lg.*
12	746-0613A	N	Choke Control 46" Lg.	44	736-0119		L-Wash. 5/16" I.D.*
13	725-0459		Circuit Breaker 8 Amp	45	712-0267		Hex Nut 5/16-18 Thd.*
14	710-0599		Hex Tap Scr. #10 x .5" Lg.	46	17004		Grille Mtg. Bracket—R.H.
15	727-0199		Hood Stop		17005		Grille Mtg. Bracket—L.H.
16	710-0255		Truss Mach. Scr. 1/4-20 x .75" Lg.	47	731-0511		Trim Strip 81" Lg.
17	723-0296		Hood Latch Ass'y.	48	16934	N	Front Heat Shield
18	722-0157		Foam Strip	49	751-0474	N	Muffler
19	712-0107		Hex Patch L-Nut 1/4-20 Thd.	50	731-0511		Trim Strip 10" Lg.
20	720-0218		Shift Knob	51	736-0170		Spec. L-Wash. 5/16" I.D.
21	720-0166		Ball Knob Brake	52	14282B	N	Top Heat Shield
22	17400	N	Transmission Cover	53	722-0138		PVC Foam
23	16622	638	Grille Side Panel—R.H.	54	735-0126		Rubber Washer
	16621	638	Grille Side Panel—L.H. (Not Shown)	55	747-0513		PTO Lever
24	736-0173		Fl-Wash. .281" I.D. x .73" O.D.	56	710-0106		Hex Bolt 1/4-20 x 1.25" Lg.
25	725-0634		Light Switch	57	13950A	N	Deck Clutch Control Brkt.
26	710-0166		Truss Mach. Scr. 1/4-20 Thd.	58	726-0106		Push Cap
27	16427	N	Dash Panel Ass'y.	59	712-0271		Hex Sems Nut 1/4-20 Thd.
28	831-0823A	N	Throttle Control Box Ass'y.	60	720-0165		Knob—Blade Clutch
29	749-0720		Grille Support Rod	61	747-0307		Deck Control Rod
30	725-0771		Solenoid	62	712-0121		Hex Nut #10-24 Thd.
31	736-0222		Ext. L-Wash. 1/4" I.D.	63	725-0465A	N	Safety Switch
32	710-0167		Carriage Bolt 1/4-20 x .5" Lg.	64	710-0473		Truss Mach. Scr. #10-24 x .5" Lg.

\*For faster service obtain standard nuts, bolts and washers locally. If these items cannot be obtained locally, order by part number and size as shown on parts list.





**PARTS LIST FOR MODELS 813 AND 823 GARDEN TRACTORS**

REF. NO.	PART NO.	CODE	DESCRIPTION	REF. NO.	PART NO.	CODE	DESCRIPTION
1	15808D	638/N	Hood	39	16469		Side Panel Ass'y.—R.H.
2	731-0511		Trim Strip 31" Lg.		15815A	N	Side Panel Ass'y.—L.H.
3	736-0931		Fl-Wash. .20" I.D. x .41" O.D.				(Not Shown)
4	712-0272		Hex Sems Nut #10-24 Thd.	40	710-0167		Carriage Bolt 1/4-20 x .5" Lg.
5	727-0290		Hood Stop	41	710-0726		Hex Wash. AB-Tap Scr. 5/16 x .75" Lg.
6	710-0473		Truss Mach. Scr. #10-24 x .5" Lg.	42	731-0511		Trim Strip—81" Lg.
7	16550A	N	Dash Ass'y.	43	17426	638	Fender
8	712-0271		Hex Sems Nut 1/4-20 Thd.	44	710-0946		Truss Mach. Scr. 1/4-20 x .62" Lg.
9	712-0107		Hex L-Nut 1/4-20 Thd.				
10	736-0173		Fl-Wash. .281" I.D. x .73" O.D.	45	731-1071	N	7-Speed Selector Plate
11	735-0126		Rubber Washer	46	720-0218		Shift Knob
12	747-0513		PTO Lever	47	732-0462		Hood Spring
13	710-0106		Hex Bolt 1/4-20 x 1.25" Lg.*	48	746-0613A	N	Choke Control 46" Lg.
14	13950A	N	Deck Clutch Control Brkt.	49	725-0925		Ammeter
15	726-0106		Push Cap	50	725-0634		Light Switch
16	747-0307		Deck Control Rod	51	725-0267		Ignition Switch
17	710-0286		Truss Mach. Scr. 1/4-20 x .5" Lg.	52	725-0201		Ignition Key
18	725-0465A	N	Safety Switch	53	15828C	N	Dash Support Brkt.—R.H.
19	712-0121		Hex Nut #10-24 Thd.	54	15829C	N	Dash Support Brkt.—L.H.
20	710-0749		Hex Bolt 10-24 x 1.0" Lg.	55	17399	N	Transmission Cover
21	712-0287		Hex Nut 1/4-20 Thd.*	56	720-0166		Ball Knob
22	736-0329		L-Wash. 1/4" I.D.*	57	720-0165		Knob—Blade Clutch
23	15931		Tie Strap Grille	58	710-0289		Hex Bolt 1/4-20 x .5" Lg.
24	710-0255		Truss Mach. Scr. 1/4-20 x .75" Lg.	59	725-0771		Solenoid
25	710-0642		Hex TT-Tap Scr. 1/4-20 x .75" Lg.	60	736-0222		Ext. L-Wash. 1/4" I.D.
				61	710-0599		Hex Wash. Hd. Scr. 1/4 x .5" Lg.
26	736-0463		Fl-Wash. .25" I.D. x .62" Lg.	62	736-0119		L-Wash. 5/16" I.D.*
27	736-0413		Spr. Wash. .39" I.D. x .62" Lg.	63	712-0267		Hex Nut 5/16-18 Thd.*
29	738-0724		Shld. Bolt .375" Dia. x .125" Lg.	64	16934	N	Front Heat Shield
				65	751-0474	N	Muffler
30	725-0963		Lamp	66	731-0511		Trim Strip 10" Lg.
31	725-1058		Socket	67	15826	N	Top Shield
32	712-0380		Locking Flange Nut 1/4-28 Thd.	68	831-0823A	N	Throttle Control Box Ass'y.
33	731-0705		Headlight Housing	69	710-0779A	N	Truss Mach. AB-Tap Scr. #10 x .5" Lg.
34	731-0706		Headlight Lens	70	725-0459		Circuit Breaker
35	15804A	638/N	Grille Ass'y.	71	736-0170		Spec. L-Wash. 5/16" I.D.
37	722-0157		Foam Strip	72	722-0138		PVC Foam
38	710-0118		Hex Bolt 5/16-18 x .75" Lg.	73	735-0224		Rubber Strip

Use this sheet when assembling the steering wheel and indicator lights. Keep this sheet with your owner's guide for ordering replacement parts.

## Style 4

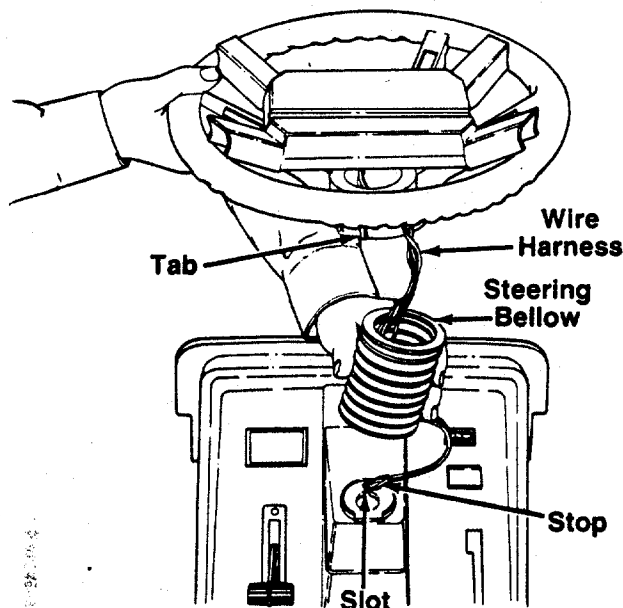


FIGURE 4.

### STEERING WHEEL INSTALLATION (Hardware B)

Your unit is equipped with indicator lights, located in the steering wheel. The steering wheel must be assembled as follows for proper operation of the indicator lights.

1. Open the hood of the tractor.
2. Place the larger end of the steering bellow over the wire harness extending through the steering wheel (bellow must fit over the four tabs on the steering wheel). See figure 4.
3. Insert the ends of the wire harness down through the hole in the dash. Then slide the wires through the slot into the smaller hole in the dash to the stop (tape) on the harness as shown in figure 4. Only about 6" of wire will extend beneath the dash.
4. Plug the three connectors on the wire harness into the corresponding connectors on the tractor.
5. Slide the upper steering column through the hole in the dash, over the lower steering column. Insert hex bolt through upper and lower column to secure temporarily in any one of the four hole locations.
6. Position the front wheels of the tractor so they are pointing straight forward.
7. Slide the steering bellow over the steering column. Hold the wires out of the way as shown. See figure 5.
8. Place the steering wheel over the steering column, positioning steering wheel as shown (slot for the wires is toward the front of the tractor).
9. Place the washer with the cupped side down over the steering column. Secure with 5/16" hex lock nut.
10. Attach the steering wheel insert to the steering wheel as follows.
  - a. Position the steering wheel insert so the lights are toward the bottom.
  - b. Place the two prongs on one side of the insert over two of the spokes on the steering wheel. Press into place.
  - c. Take the slack out of the wires by pulling through the steering wheel.
  - d. Press the prongs on the other side of the insert over the other two spokes on the steering wheel.
11. Remove the hex bolt which is holding the upper and lower steering columns. Turn steering wheel three full revolutions clockwise.

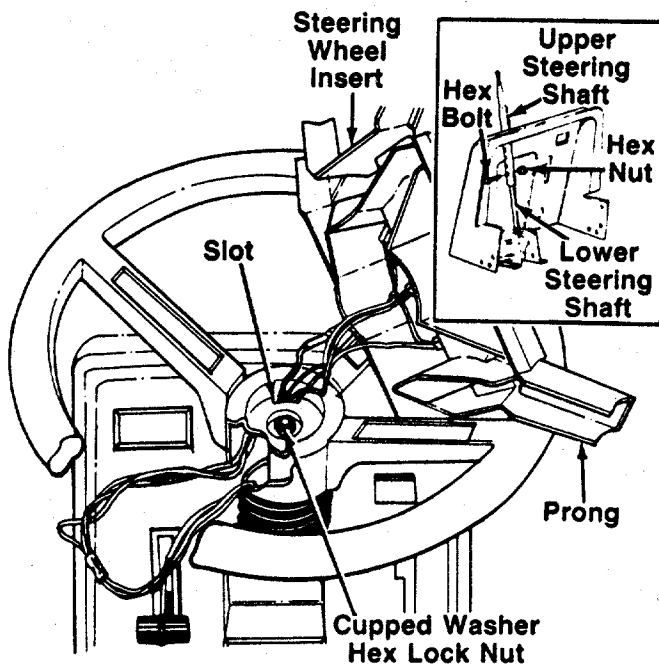


FIGURE 5.

# CONTROLS

12. The four holes in the upper steering column provide four height positions for the steering wheel. See figure 5, inset. Select desired position, and secure with hex bolt and hex lock nut. Tighten securely.
13. If any excess wire is beneath the steering wheel, insert it inside the steering bellow. Pull bellow up against the bottom of the steering wheel.

## INDICATOR LIGHTS

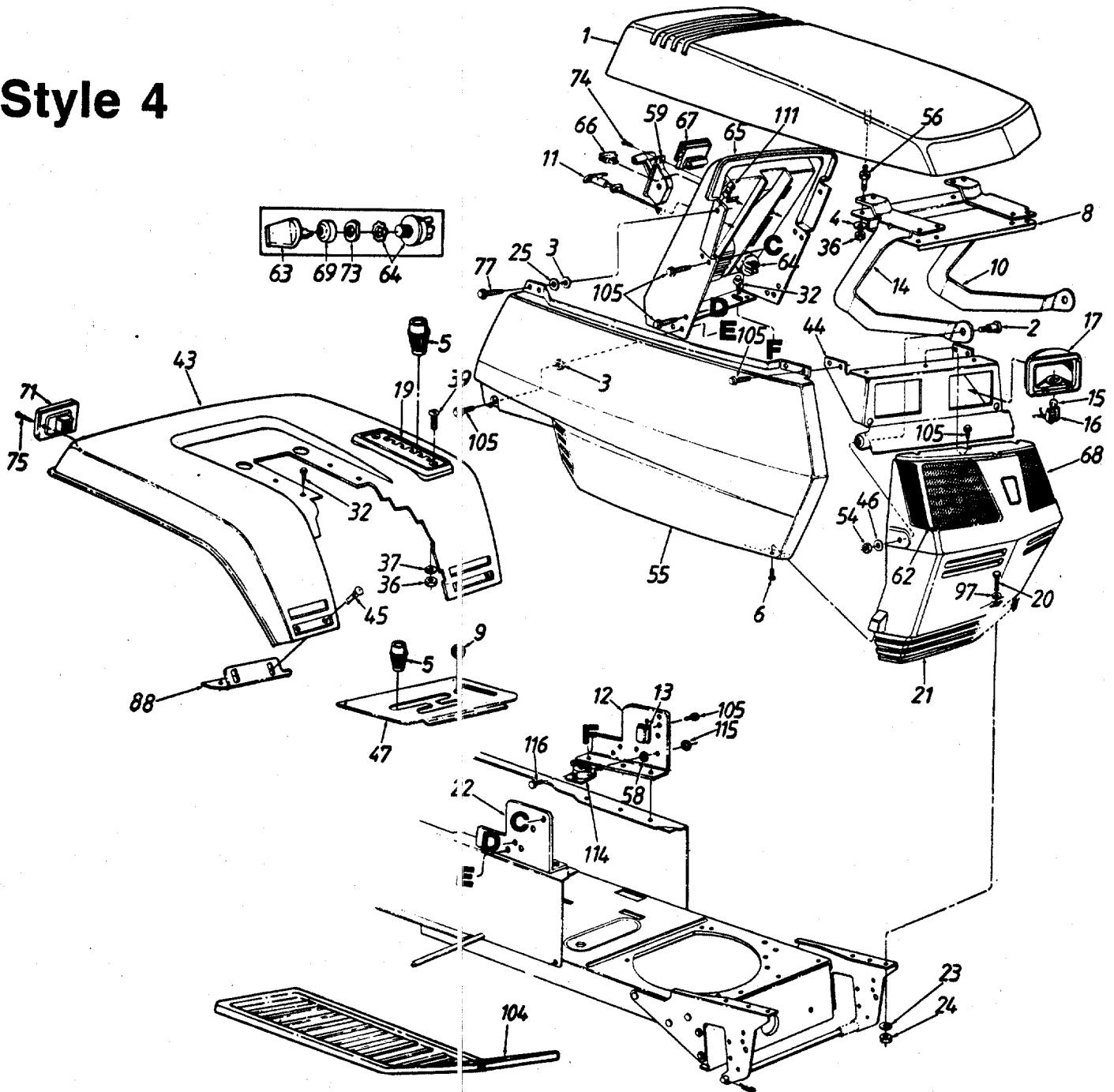
The unit is equipped with three indicator lights, located in the steering wheel. If a light illuminates when attempting to start the unit, proceed as follows:

**CLUTCH**—Depress the clutch pedal.

**PTO**—Disengage the PTO lever.

**REVERSE**—Designates unit is in reverse. Use **Caution**.

## Style 4

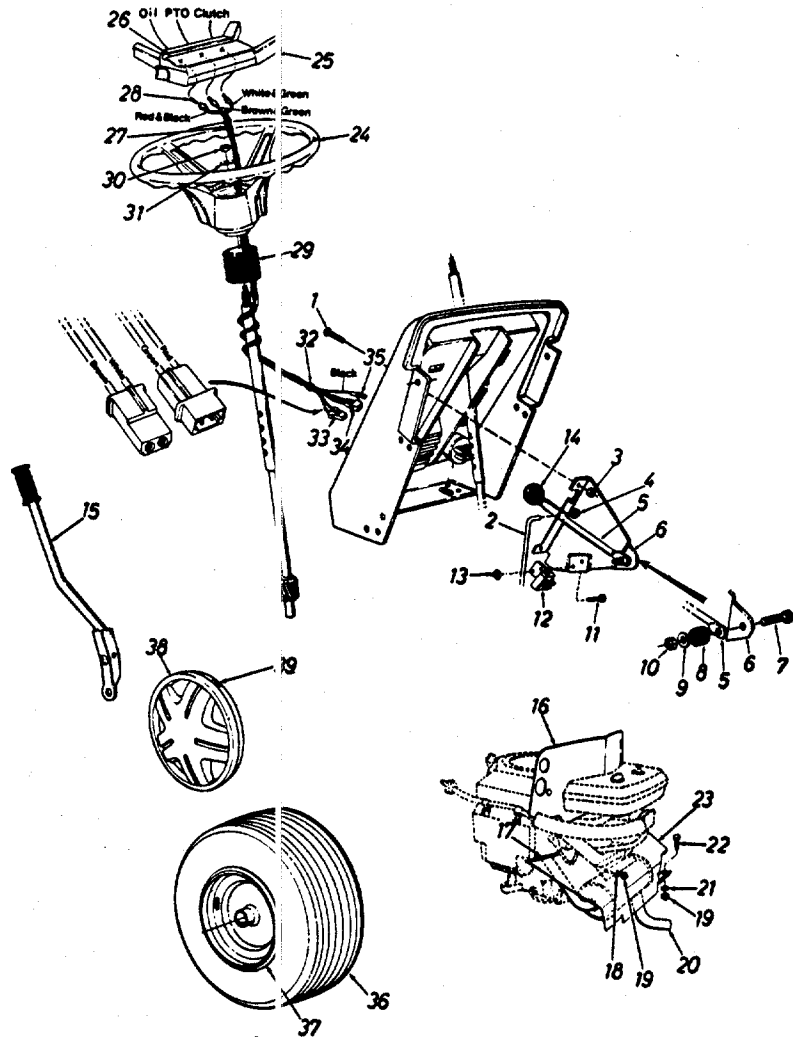


**PARTS LIST FOR MODELS 814 AND 824 GARDEN TRACTORS**

REF. NO.	PART NO.	CODE	DESCRIPTION	REF. NO.	PART NO.	CODE	DESCRIPTION
1	16823	639	Hood	47	17401	N	Transmission Panel
2	738-0141		Shld. Bolt .437" Dia. x .35"	54	712-0158		Hex Cent. L-Nut 5/16-18 Thd.
3	726-0233		Bolt Retainer 1/4" I.D.	55	17448	639/N	Side Cover—R.H.
4	736-0270		Bell-Wash. .265" I.D. x .75" O.D.		17447	639/N	Side Cover—L.H. (Not Shown)
5	720-0218		Shift Knob	56	710-1034	N	Double Ended Stud 1/4-20 Thd.
6	710-0351		Truss Mach. B-Tap Scr. #10 x .5" Lg.	58	736-0222		Ext. L-Wash. 1/4" I.D.
8	16808	N	Hood Reinforcement	59	831-0823A	N	Throttle Control Box Ass'y.
9	720-0166		Ball Knob—Brake	62	731-0948		Lens—R.H.
10	17271		Hood Hinge—L.H.	63	725-1341B	N	Ignition Key
11	746-3022B	N	Choke Control	64	725-0267		Ignition Switch
12	17294		Dash Support Brkt.—L.H.	65	731-0958	N	Dash Panel
13	725-0459		Circuit Breaker	66	725-0634		Light Switch
14	17270		Hood Hinge—R.H.	67	725-0925		Ammeter
15	725-0963		Lamp	68	731-0949	N	Lens—L.H.
16	725-1058		Twist Lock—Lamp Socket	69	725-1347		Ignition Switch Cap
17	731-0705		Headlight Housing	70	757-0350	N	Seat Ass'y.
19	731-1069	N	Speed Control Index Brkt.	71	725-3018	N	Taillight Ass'y.
20	710-0118		Hex Bolt 5/16-18 x .75" Lg.*	73	725-1346		Ignition Switch Nut
21	731-0935A	N	Grille	74	710-0779A	N	Truss Mach. AB-Tap Scr. #10 x .5" Lg.
22	17293		Dash Support Bracket—R.H.	75	710-0936		Truss Hd. AB-Tap Scr. #6 x .62" Lg.
23	736-0119		L-Wash. 5/16" I.D.*	77	710-0642		Hex Wash. Hd. Tap Scr. 1/4 x .75" Lg.
24	712-0267		Hex Nut 5/16-18 Thd.*	88	17406	N	Fender Bracket—R.H.
25	736-0176		Fl-Wash. 1/4" I.D. x .93" O.D.		17407	N	Fender Bracket—L.H.
32	710-0726		Hex Wash. Hd. AB-Tap Scr. 5/16 x .75" Lg.	97	736-0159		Fl-Wash. .344" I.D.
36	712-0287		Hex Nut 1/4-20 Thd.*	104	731-1051	N	Foot Pad
37	736-0329		L-Wash. 1/4" I.D.*	105	710-0599		Hex Tap Scr. 1/4-20 x .5" Lg.
39	710-0946		Truss Mach. Scr. 1/4-20 x .62" Lg.	111	712-0185		Speed Nut 1/4-20 Thd.
43	17330	639/N	Rear Fender	114	725-0771		Solenoid
44	17223		Light Bracket	115	712-0271		Hex Sems Nut 1/4-20 Thd.
45	710-0167		Carriage Bolt 1/4-20 x .50" Lg.*	116	710-0289		Hex Bolt 1/4-20 x .5" Lg.*
46	736-0278		Fl-Wash. .328" I.D. x .68" O.D.				

\*For faster service obtain standard nuts, bolts and washers locally.  
If these items cannot be obtained locally, order by part number and  
size as shown on parts list.

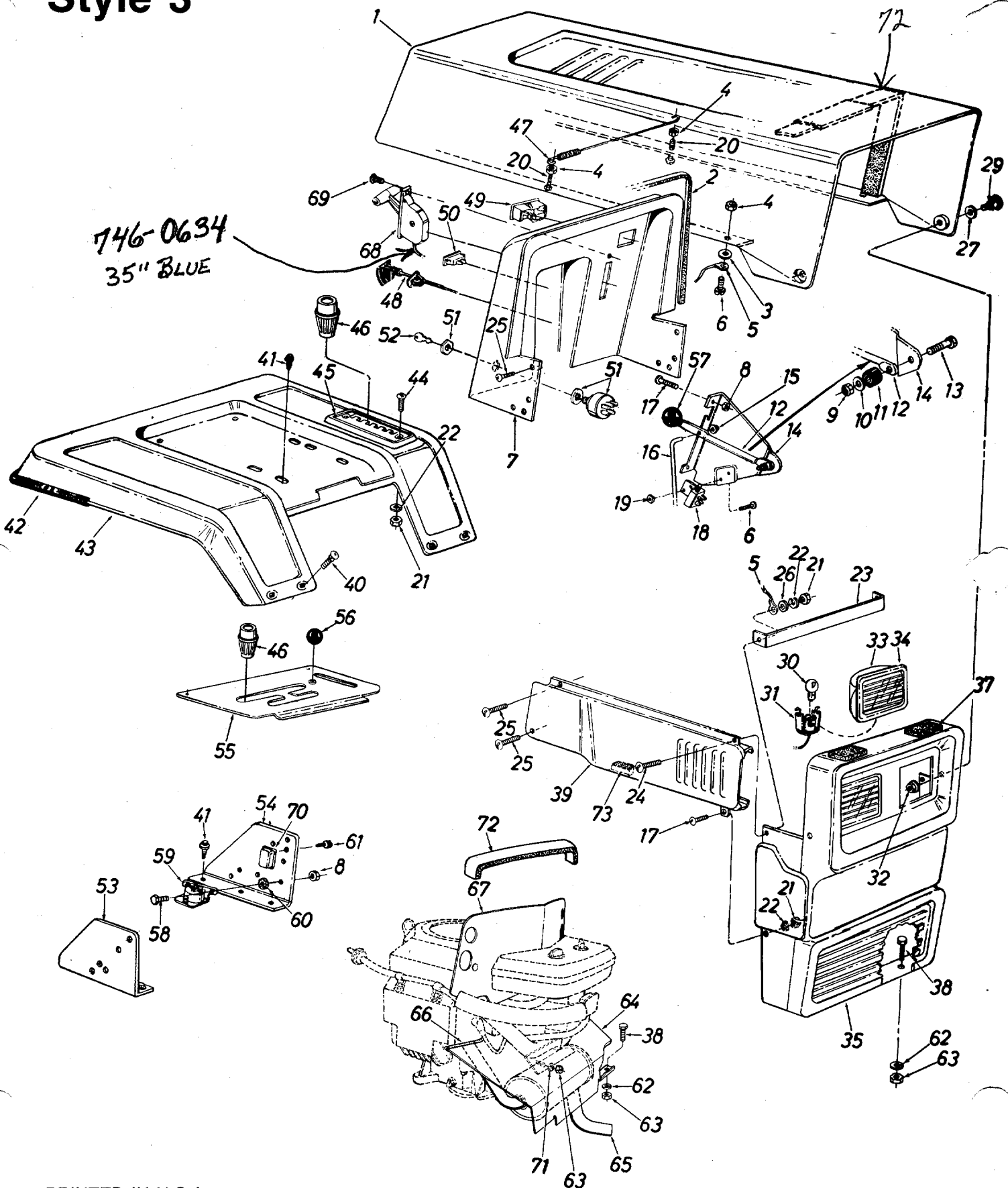
# Style 4



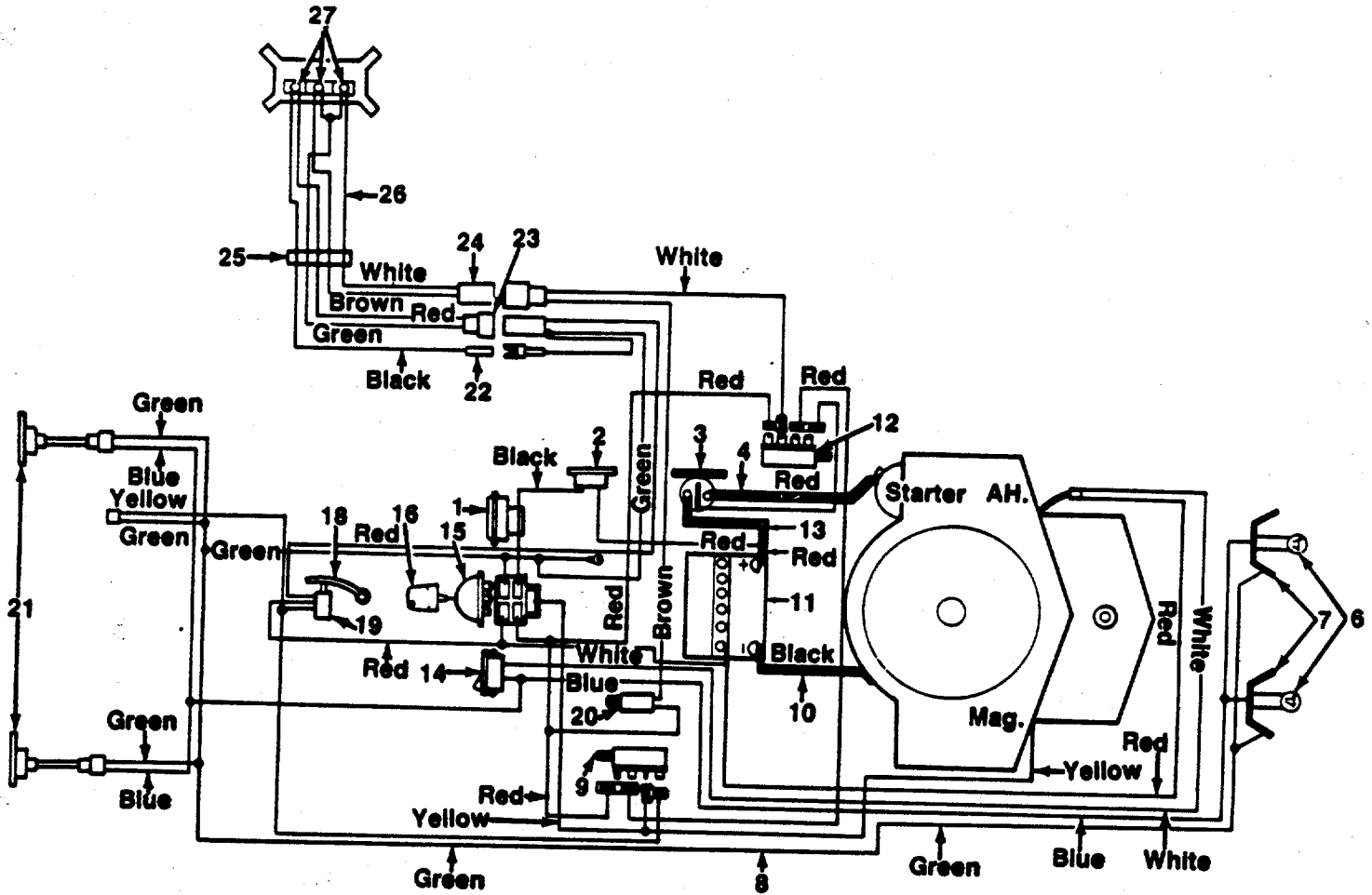
## PARTS LIST FOR MODELS 814 AND 824 GARDEN TRACTORS

REF. NO.	PART NO.	CODE	DESCRIPTION	REF. NO.	PART NO.	CODE	DESCRIPTION
1	710-0286		Truss Mach. Scr. 1/4-20 x .5" Lg.	22	710-0118		Hex Bolt 5/16-18 x .75" Lg.*
2	747-0708		Deck Control Rod	23	16934	N	Front Heat Shield
3	712-0271		Hex Sems Nut 1/4-20 Thd.*	24	731-0806A		Steering Wheel
4	726-0106		Push Cap	25	731-0955		Steering Wheel Insert
5	747-0513		PTO Lever	26	777-7993		Steering Wheel Insert Label
6	13950A	N	Deck Clutch Cont. Brkt	27	725-1364		Wire Harness (Incl. Ref. 28)
7	710-0106		Hex Bolt 1/4-20 x 1.25" Lg.*	28	725-1365		Bulb
8	735-0126		Rubber Washer	29	731-0954		Steering Bellow
9	736-0173		Fl-Wash. .281" I.D. x .73" O.D.	30	712-0237		Hex L-Nut 5/16-24 Thd.
10	712-0324		Hex L-Nut 1/4-20 Thd.	31	736-0242		Bell-Wash. .345" I.D. x .88" O.D.
11	710-0473		Truss Mach. Scr. #10-24 x .5" Lg.	32	729-0204		Clamp
12	725-0465A	N	Safety Switch	33	729-0139		Connector
13	712-0121		Hex Nut #10-24 Thd.	34	729-0166		Connector
14	720-0165		Knob—Blade Clutch	35	729-0132		Connector
15	17282		Lift Handle Ass'y.	36	734-1569	N	Wheel Ass'y. Comp.
16	17319		Top Heat Shield		734-0275		Tire Only
17	731-0511		Trim Strip 10" Lg.	37	734-1567	N	Rim Only
18	736-0170		L-Wash. 5/16" I.D. (Special)	38	734-1504		Hub Cap (Front Wheel)
19	712-0267		Hex Nut 5/16-18 Thd.*		734-1505	N	Hub Cap (Rear Wheel)
20	751-0474	N	Muffler	39	727-0425	N	Spring Clip
21	736-0119		L-Wash. 5/16" I.D.*				

Keep this sheet with your owner's guide for ordering replacement parts.  
**Style 3**



# Style 4



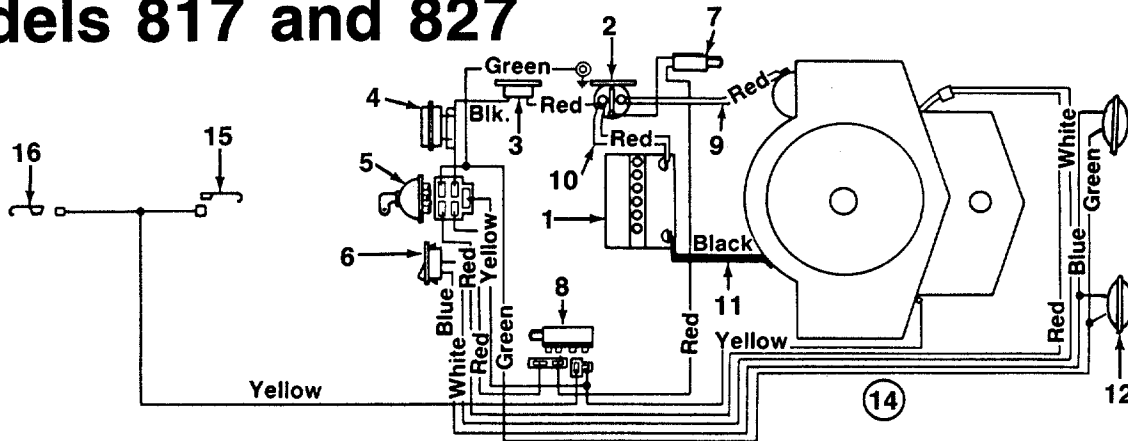
**PARTS LIST FOR ELECTRICAL SYSTEM**

REF. NO.	PART NO.	CODE	DESCRIPTION	REF. NO.	PART NO.	CODE	DESCRIPTION
1	725-0925		Ammeter	15	725-0267		Ignition Switch
2	725-0459		Circuit Breaker	16	725-1341B	N	Ignition Key
3	725-0771		Solenoid	18	732-0405		Spring Lever
4	725-0561		Wire	19	725-1197		Safety Switch
6	725-0963		Bulb	20	725-0277		Safety Switch
7	725-1058A	N	Socket	21	725-3018		Taillight
8	725-1363		Wire Harness	22	729-0139		Connector
9	725-0465A	N	Safety Switch	23	729-0166		Connector
10	725-0996		6 Ga. Black Wire	24	729-0132		Connector
11	725-0453		Battery 12V	25	729-0204		Clamp
12	725-0842A	N	Safety Switch	26	725-1364		Wire Harness
13	725-0563		Wire	27	725-1365		Bulb
14	725-0634		Light Switch				

**PARTS LIST FOR MODELS 817 AND 827 GARDEN TRACTORS**

REF. NO.	PART NO.	CODE	DESCRIPTION	REF. NO.	PART NO.	CODE	DESCRIPTION
1	710-0779A	N	Truss Mach. AB-Tap Scr. #10 x .5" Lg.	34	725-0267		Ignition Switch
2	710-0286		Truss Mach. Scr. 1/4-20 x .5" *	35	710-0289		Hex Bolt 1/4-20 x .5" Lg.
3	13808	638	Hood	36	17426		Rear Fender
4	712-0287		Hex Nut 1/4-20 Thd.*	37	735-0144		Rubber Washer
5	736-0329		L-Wash. 1/4" I.D.*	38	710-0946		Truss Mach. Scr. 1/4-20 x .62"
6	725-0222		Headlight	39	731-1071	N	7-Speed Index Brkt.
7	731-0511		Trim Strip 29" Lg.	40	17437	638	Grille Ass'y.
9	09960		Headlight Retainer	41	731-0511		Trim Strip 30" Lg.
10	731-1062	N	Bezel	42	710-0726		Hex Wash. AB-Tap Scr. 5/16 x .75" Lg.
11	725-0925		Ammeter	43	710-0118		Hex Bolt 5/16-18 x .75" Lg.*
12	746-0613A	N	Choke Control 46" Lg.	44	736-0119		L-Wash. 5/16" I.D.*
13	725-0459		Circuit Breaker 8 Amp	45	712-0267		Hex Nut 5/16-18 Thd.*
14	710-0599		Hex Tap Scr. #10 x .5" Lg.	46	13862		Grille Mtg. Bracket—R.H.
15	727-0199		Hood Stop		13863		Grille Mtg. Bracket—L.H.
16	710-0255		Truss Mach. Scr. 1/4-20 x .75"	47	731-0511		Trim Strip 81" Lg.
17	723-0296		Hood Latch Ass'y.	48	16934	N	Front Heat Shield
18	722-0157		Foam Strip	49	751-0474	N	Muffler
19	712-0107		Hex Patch L-Nut 1/4-20 Thd.	50	731-0511		Trim Strip 10" Lg.
20	720-0218		Shift Knob	51	736-0170		Spec. L-Wash. 5/16" I.D.
21	720-0166		Ball Knob Brake	52	14282B	N	Top Heat Shield
22	17400	N	Transmission Cover	53	722-0138		PVC Foam
23	14748A	638/N	Grille Side Panel—R.H.	54	735-0126		Rubber Washer
	14749	638	Grille Side Panel—L.H. (Not Shown)	55	747-0513		PTO Lever
24	736-0173		Fl-Wash. .281" I.D. x .73" O.D.	56	710-0106		Hex Bolt 1/4-20 x 1.25" Lg.
25	725-0634		Light Switch	57	13950A	N	Deck Clutch Control Brkt.
26	710-0166		Truss Mach. Scr. 1/4-20 Thd.	58	726-0106		Push Cap
27	16427		Dash Panel Ass'y.	59	712-0271		Hex Sems Nut 1/4-20 Thd.
3	831-0823A	N	Throttle Control Box Ass'y.	60	720-0165		Knob—Blade Clutch
	749-0651		Grille Support Rod	61	747-0307		Deck Control Rod
	725-0771		Solenoid	62	712-0121		Hex Nut #10-24 Thd.
31	736-0222		Ext. L-Wash. 1/4" I.D.	63	725-0465A	N	Safety Switch
32	710-0167		Carriage Bolt 1/4-20 x .5" Lg.	64	710-0473		Truss Mach. Scr. #10-24 x .5"
33	725-0201		Ignition Key	65	710-0200		Self-Tap Scr. #8 x .5"

## Models 817 and 827



**PARTS LIST FOR ELECTRICAL SYSTEM**

REF. NO.	PART NO.	CODE	DESCRIPTION	REF. NO.	PART NO.	CODE	DESCRIPTION
1	725-0453A	N	Battery	9	725-0561		Electric Wire 14" Lg.
2	725-0771		Solenoid	10	725-0563		Electric Wire 7.5" Lg.
3	725-0459		Circuit Breaker	11	725-0996		Ground Wire 7.5" Lg.
4	725-0925		Ammeter	12	725-0222		Lamp
5	725-0267		Ignition Switch	14	725-1398	N	Wire Harness
6	725-0634		Light Switch	15	725-0759		Spring Switch
7	725-0268		Safety Switch (Clutch)	16	725-1303		Spring Switch
8	725-0465A	N	Safety Switch (PTO)				

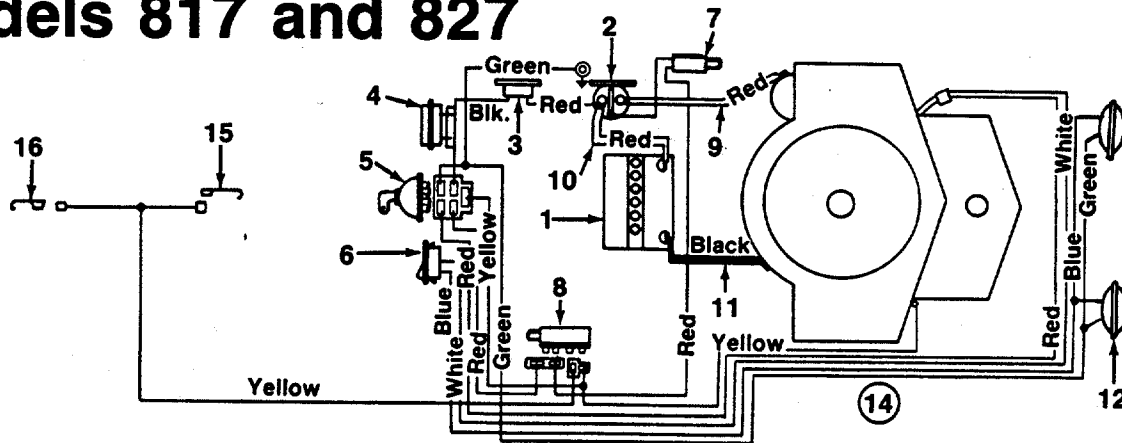




**PARTS LIST FOR MODELS 817 AND 827 GARDEN TRACTORS**

REF. NO.	PART NO.	CODE	DESCRIPTION	REF. NO.	PART NO.	CODE	DESCRIPTION
1	710-0779A	N	Truss Mach. AB-Tap Scr. #10 x .5" Lg.	34	725-0267		Ignition Switch
2	710-0286		Truss Mach. Scr. 1/4-20 x .5" *	35	710-0289		Hex Bolt 1/4-20 x .5" Lg.
3	13808	638	Hood	36	17426		Rear Fender
4	712-0287		Hex Nut 1/4-20 Thd.*	37	735-0144		Rubber Washer
5	736-0329		L-Wash. 1/4" I.D.*	38	710-0946		Truss Mach. Scr. 1/4-20 x .62"
6	725-0222		Headlight	39	731-1071	N	7-Speed Index Brkt.
7	731-0511		Trim Strip 29" Lg.	40	17437	638	Grille Ass'y.
9	09960		Headlight Retainer	41	731-0511		Trim Strip 30" Lg.
10	731-1062	N	Bezel	42	710-0726		Hex Wash. AB-Tap Scr. 5/16 x .75" Lg.
11	725-0925		Ammeter	43	710-0118		Hex Bolt 5/16-18 x .75" Lg.*
12	746-0613A	N	Choke Control 46" Lg.	44	736-0119		L-Wash. 5/16" I.D.*
13	725-0459		Circuit Breaker 8 Amp	45	712-0267		Hex Nut 5/16-18 Thd.*
14	710-0599		Hex Tap Scr. #10 x .5" Lg.	46	13862		Grille Mtg. Bracket—R.H.
15	727-0199		Hood Stop		13863		Grille Mtg. Bracket—L.H.
16	710-0255		Truss Mach. Scr. 1/4-20 x .75"	47	731-0511		Trim Strip 81" Lg.
17	723-0296		Hood Latch Ass'y.	48	16934	N	Front Heat Shield
18	722-0157		Foam Strip	49	751-0474	N	Muffler
19	712-0107		Hex Patch L-Nut 1/4-20 Thd.	50	731-0511		Trim Strip 10" Lg.
20	720-0218		Shift Knob	51	736-0170		Spec. L-Wash. 5/16" I.D.
21	720-0166		Ball Knob Brake	52	14282B	N	Top Heat Shield
22	17400	N	Transmission Cover	53	722-0138		PVC Foam
23	14748A	638/N	Grille Side Panel—R.H.	54	735-0126		Rubber Washer
	14749	638	Grille Side Panel—L.H. (Not Shown)	55	747-0513		PTO Lever
24	736-0173		FI-Wash. .281" I.D. x .73" O.D.	56	710-0106		Hex Bolt 1/4-20 x 1.25" Lg.
25	725-0634		Light Switch	57	13950A	N	Deck Clutch Control Brkt.
26	710-0166		Truss Mach. Scr. 1/4-20 Thd.	58	726-0106		Push Cap
27	16427		Dash Panel Ass'y.	59	712-0271		Hex Sems Nut 1/4-20 Thd.
28	831-0823A	N	Throttle Control Box Ass'y.	60	720-0165		Knob—Blade Clutch
29	749-0651		Grille Support Rod	61	747-0307		Deck Control Rod
30	725-0771		Solenoid	62	712-0121		Hex Nut #10-24 Thd.
31	736-0222		Ext. L-Wash. 1/4" I.D.	63	725-0465A	N	Safety Switch
32	710-0167		Carriage Bolt 1/4-20 x .5" Lg.	64	710-0473		Truss Mach. Scr. #10-24 x .5"
33	725-0201		Ignition Key	65	710-0200		Self-Tap Scr. #8 x .5"

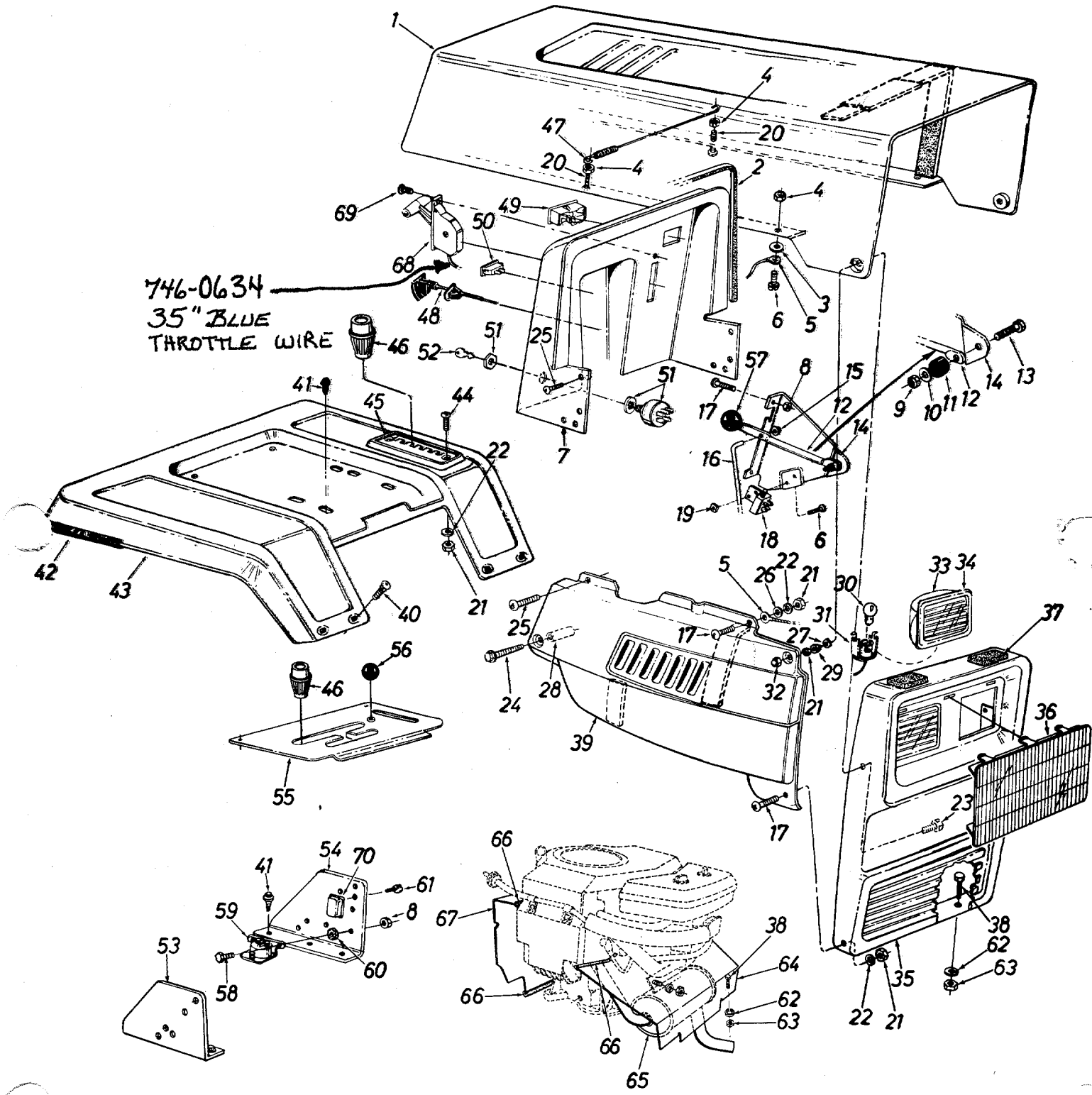
## Models 817 and 827



**PARTS LIST FOR ELECTRICAL SYSTEM**

REF. NO.	PART NO.	CODE	DESCRIPTION	REF. NO.	PART NO.	CODE	DESCRIPTION
1	725-0453A	N	Battery	9	725-0561		Electric Wire 14" Lg.
2	725-0771		Solenoid	10	725-0563		Electric Wire 7.5" Lg.
3	725-0459		Circuit Breaker	11	725-0996		Ground Wire 7.5" Lg.
4	725-0925		Ammeter	12	725-0222		Lamp
5	725-0267		Ignition Switch	14	725-1398	N	Wire Harness
6	725-0634		Light Switch	15	725-0759		Spring Switch
7	725-0268		Safety Switch (Clutch)	16	725-1303		Spring Switch
8	725-0465A	N	Safety Switch (PTO)				

Keep this sheet with your owner's guide for ordering replacement parts.  
**Style 8**      **MODEL 818 AND 828**



**PARTS LIST FOR MODELS 818 AND 828 GARDEN TRACTORS**

REF. NO.	PART NO.	CODE	DESCRIPTION	REF. NO.	PART NO.	CODE	DESCRIPTION
1	16788		Hood <i>722-0192(2), 722-0194(1)</i>	36	731-0967		Headlight Bezel†
2	731-0511		Trim Strip 31" Lg.	37	722-0157		Foam Strip
3	736-0931		FI-Wash. .20" I.D. x .41" O.D.	38	710-0118		Hex Bolt 5/16-18 x .75" Lg.
4	712-0272		Hex Sems Nut #10- 24 Thd.	39	17458*	N	Side Panel Ass'y.—R.H.
5	727-0290		Hood Stop		17459*	N	Side Panel Ass'y.—L.H. (Not Shown)
6	710-0473		Truss Mach. Scr. #10-24 x .5" Lg.	40	710-0167		Carriage Bolt 1/4-20 x .5" Lg.
7	16550A	N	Dash Ass'y.	41	710-0726		Hex Wash. AB-Tap Scr. 5/16 x .75" Lg.
8	712-0271		Hex Sems Nut 1/4-20 Thd.				Trim Strip—81" Lg.
9	712-0107		Hex L-Nut 1/4-20 Thd.	42	731-0511		Fender
10	736-0173		FI-Wash. .281" I.D. x .73" O.D.	43	17426	638	Truss Mach. Scr. 1/4-20 x .62" Lg.
11	735-0126		Rubber Washer	44	710-0946		7-Speed Selector Plate
12	747-0513		PTO Lever				Shift Knob
13	710-0106		Hex Bolt 1/4-20 x 1.25" Lg.*	45	731-1071	N	Hood Spring
14	13950A	N	Deck Clutch Control Brkt.	46	720-0218		Choke Control 46" Lg.
15	726-0106		Push Cap	47	732-0462		Ammeter
16	747-0307		Deck Control Rod	48	746-0613A	N	Light Switch
17	710-0286		Truss Mach. Scr. 1/4-20 x .5" Lg.	49	725-0925		Ignition Switch
18	725-0465A	N	Safety Switch	50	725-0634		Ignition Key
19	712-0121		Hex Nut #10-24 Thd.	51	725-0267		Dash Support Brkt.—R.H.
20	710-0749		Hex Bolt 10-24 x 1.0" Lg.	52	725-0201		Dash Support Brkt.—L.H.
21	712-0287		Hex Nut 1/4-20 Thd.*	53	15828C	N	Transmission Cover
22	736-0329		L-Wash. 1/4" I.D.*	54	15829C	N	Ball Knob
23	710-0206		Hex Bolt 1/4-20 x .88" Lg.*	55	17399	N	Knob—Blade Clutch
24	710-1026		Hex Wash. TT-Tap Scr. 1/4-20 x 1.75" Lg.	56	720-0166		Hex Bolt 1/4-20 x .5" Lg.
25	710-0642		Hex TT-Tap Scr. 1/4-20 x .75" Lg.	57	720-0165		Solenoid
26	736-0463		FI-Wash. .25" I.D. x .62"	58	710-0289		Ext. L-Wash. 1/4" I.D.
27	736-0413		Spr. Wash. .39" I.D. x .62"	59	725-0771		Hex Wash. Hd. Scr. 1/4 x .5" Lg.
28	750-0583		Spacer .26" I.D. x .375"	60	736-0222		L-Wash. 5/16" I.D.*
29	738-0759		Shld. Spacer .375" Dia. x .125" Lg.	61	710-0599		Hex Nut 5/16-18 Thd.*
30	725-0963		Lamp	62	736-0119		Front Heat Shield
31	725-1058		Socket	63	712-0267	N	Muffler
32	712-0264		Acorn Nut 1/4-20 Thd.	64	16934	N	Trim Strip 10" Lg.
33	731-0705		Headlight Housing	65	751-0474		Rear Baffle
34	731-0706		Headlight Lenst	66	731-0511	N	Throttle Control Box Ass'y.
35	15806B	638/N	Grille	67	16989	N	Truss Mach. AB-Tap Scr. #10 x .5" Lg.
	16456B	638/N	Grille—Used w/Headlight Bezel	68	831-0823A	N	Circuit Breaker
				69	710-0779A	N	
				70	725-0459		

†Optional Parts

\*For faster service obtain standard nuts, bolts and washers locally. If these items cannot be obtained locally, order by part number and size as shown on parts list.

\* 17458 - RH PANEL

17308 - PANEL

722-0191 FOAM SEAL

722-0201 " "

\* 17459 - LH PANEL

17309 PANEL

722-0191 FOAM SEAL

722-0201 " "



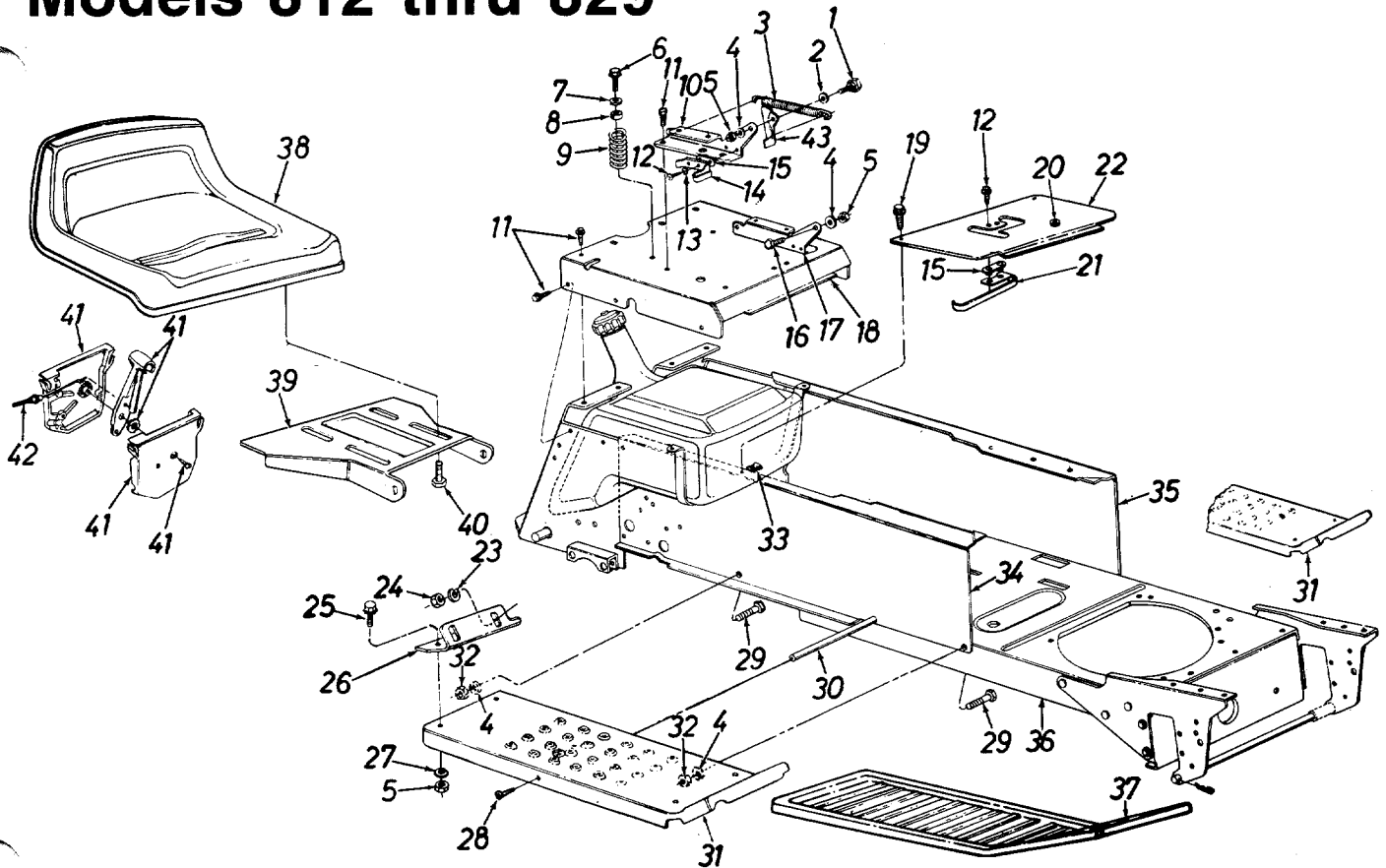
**PARTS LIST FOR MODELS 819 AND 829 GARDEN TRACTORS**

REF. NO.	PART NO.	CODE	DESCRIPTION	REF. NO.	PART NO.	CODE	DESCRIPTION
1	731-1054	N	Hood	46	720-0166		Ball Knob Brake
2	16903	N	Hood Plate	50	17293A	N	Dash Support Brkt.—R.H.
3	710-1034	N	Double Ended Stud 1/4-20 Thd.	55	17399	N	Transmission Cover Ass'y.
4	17273	N	Hood Hinge	63	710-0289		Hex Bolt 1/4-20 x .5" Lg.
5	750-0287		Spacer .34" I.D. x .437"	64	725-0925		Ammeter
6	710-0166		Truss Hd. Mach. Scr. 1/4-20 Thd.	65	17458*		Side Panel Ass'y.—R.H.
7	750-0583		Spacer .26" I.D. x .375"		17459*		Side Panel Ass'y.—L.H.
8	710-1026		Hex Wash. TT-Tap Scr. 1/4-20 x 1.75" Lg.	69	725-0267		Ignition Switch
9	710-0642		Hex T-Tap Scr. 1/4-20 x .75" Lg.	70	710-0779A	N	Truss Mach. AB-Tap Scr. #10 x .5" Lg.
10	710-0136		Truss Mach. Scr. 1/4-20 x 1.75" Lg.	71	730-3000		Reflector (Optional)
11	710-0286		Truss Mach. Scr. 1/4-20 x .5" Lg.	72	17330	638	Rear Fender
12	712-0324		Hex Ins. L-Nut 1/4-20 Thd.	73	831-0823A	N	Throttle Control Box Ass'y.
13	712-0429		Hex L-Nut 5/16-18 Thd.	75	710-0167		Carriage Bolt 1/4-20 x .5" Lg.
14	735-0126		Rubber Washer	76	725-0201		Key
16	731-1044		Headlight Lens	77	736-0222		Ext. L-Wash. 1/4" I.D.
17	17410	N	Grille Ass'y.	78	17294A	N	Dash Support Brkt.—L.H.
18	731-1046		Dash Ass'y.	79	725-0459		Circuit Breaker
19	746-3022B	N	Choke Control	80	712-0271		Hex Sems Nut 1/4-20 Thd.
20	731-0705		Headlight Housing	81	720-0165		Ball Knob
23	710-0118		Hex Bolt 5/16-18 x .75" Lg.	82	710-0258		Hex Bolt 1/4-20 x .62" Lg.
24	710-0946		Truss Mach. Scr. 1/4-20 x .62" Lg.	83	726-0106		Push Nut
25	710-0599		Hex Wash. Hd. Scr. 1/4" x .5" Lg.	84	16985	N	PTO Rod
26	731-1069		7-Speed Index Brkt.	85	736-0173		FI-Wash. .281" I.D. x .73"
27	736-0119		L-Wash. 5/16" I.D.*	86	16984	N	PTO Lever
28	712-0267		Hex Nut 5/16-18 Thd.*	87	12476		Deck Clutch Control Brkt.
31	725-0771		Solenoid	88	710-0102		Hex Bolt 1/4-20 x 2.5" Lg.
32	710-0726		Hex Hd. Rolling Scr. 5/16-24 x .75" Lg.	89	710-0473		Truss Mach. Scr. #10-24 x .5" Lg.
34	720-0218		Shift Knob	90	725-0465A	N	Safety Switch
35	725-0963		Lamp	91	712-0121		Hex Nut #10-24 Thd.
36	736-0242		Bell-Wash. .34" I.D. x .87"	92	16983	N	PTO Bracket
38	725-1058		Socket	93	710-0708		Self Clinching Stud 1/4-20 x .5" Lg.
39	712-0287		Hex Nut 1/4-20 Thd.*	94	16989	N	Engine Baffle
40	736-0329		L-Wash. 1/4" I.D.*	95	731-0511		Trim Strip 10" Lg.
44	726-0201		Speed Nut 5/16" I.D.	96	751-0474		Muffler
45	736-0270		Bell-Wash. .265" I.D. x .75" O.D.	97	736-0170		Spec. L-Wash. 5/16" I.D.
				98	16934	N	Front Heat Shield
				99	725-0634		Light Switch

\*17458 RH ASSY  
 17308 = 1 PANEL  
 722-0191 = 1 FOAM SEAL  
 722-0201 = 1 FOAM SEAL

\*17459 LH ASSY  
 17309 = 1 PANEL  
 722-0191 = 1 FOAM SEAL  
 722-0201 = 1 FOAM SEAL

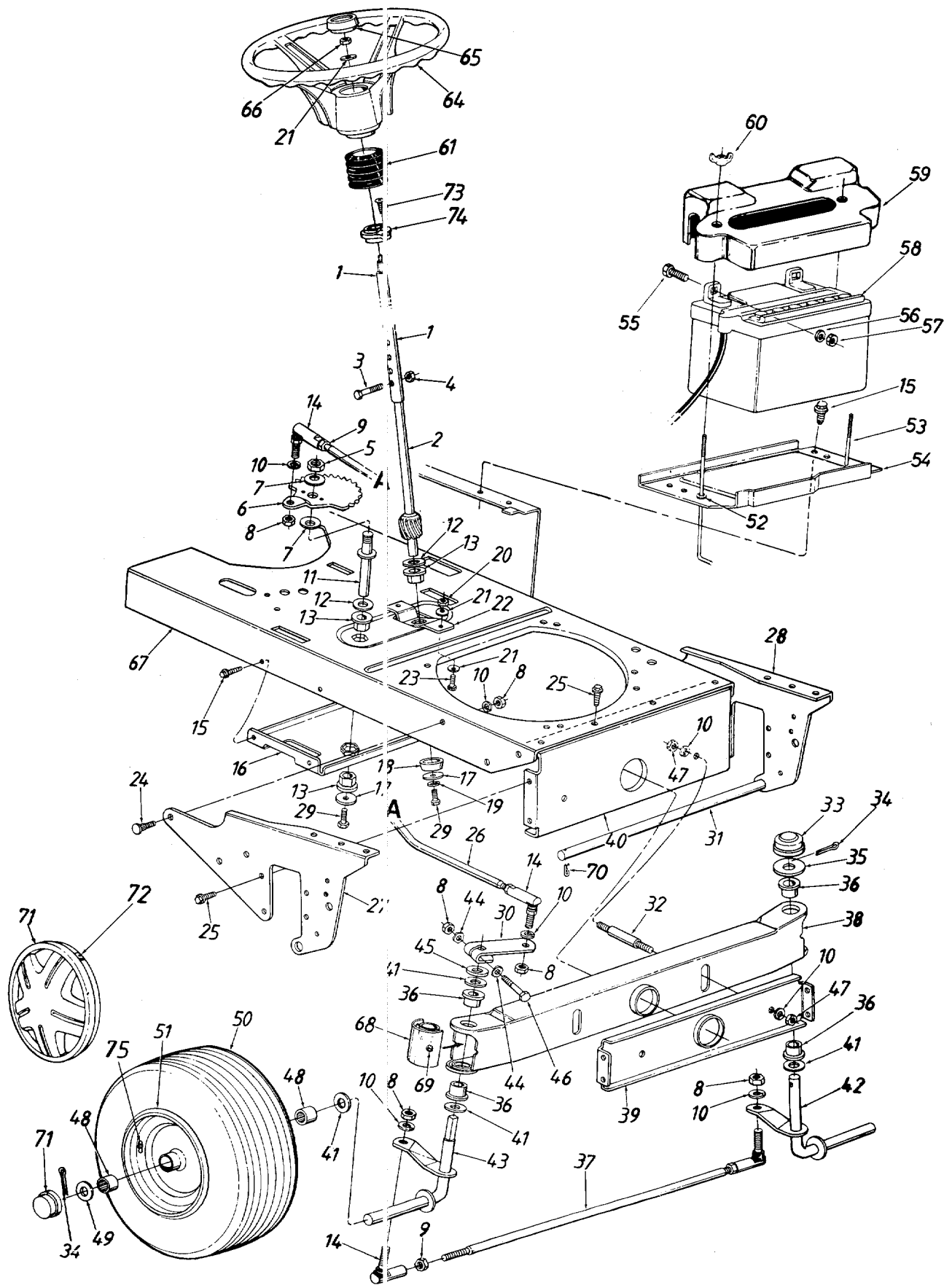
# Models 812 thru 829



## PARTS LIST FOR MODELS 812 THRU 829 GARDEN TRACTORS

REF. NO.	PART NO.	CODE	DESCRIPTION	REF. NO.	PART NO.	CODE	DESCRIPTION
1	738-0296		Shld. Bolt .437" Dia. x .162"	24	712-0287		Hex Nut 1/4-20
2	736-0141		Spr. Wash. .445" I.D.	25	710-0118		Hex Bolt 5/16-18 x .75" Lg.
3	732-0581		Ext. Spring 5.31" Lg.	26	15846		Fender Bracket—R.H.
4	736-0119		L-Wash. 5/16" I.D.*		15847		Fender Bracket—L.H.
5	712-0267		Hex Nut 5/16-18 Thd.*		17406	N	Fender Bracket—R.H.
6	710-0601		Hex Wash. Hd. Tap Scr. 5/16-18 x .7" Lg.		17407	N	Fender Bracket—L.H.
7	736-0159		FI-Wash. .344" I.D.				(Style 9 Only)
8	722-0160		Bushing	27	736-0242		Bell-Wash. .345" I.D. x .88" O.D.
9	732-0588		Compression Spring	28	710-0323		Truss Mach. Scr. 5/16-18 x .75" Lg.
10	17244		Seat Pivot Brkt. Support—R.H.	29	710-1012		Rib Neck Bolt 5/16-24 x .75" Lg.
11	710-0726		Hex Wash. Hd. AB-Tap Scr. 5/16 x .75" Lg.	30	738-0435		Running Board Rod
12	710-0227		Hex Wash. Hd. AB-Tap Scr. #8 x .5" Lg.	31	16922	N	Running Board—R.H.
13	736-0426		Fiber Washer		16921	N	Running Board—L.H.
14	725-1303		Spring Switch	32	712-0123		Hex Nut 5/16-24 Thd.
15	726-0222		Insulator Nut Plate	33	726-0139		Speed Nut #10Z
16	738-0155		Shld. Bolt .437" Dia. x .162"	34	17360	N	R.H. Side Frame
17	17243		Seat Pivot Brkt. Support—L.H.	35	17361	N	L.H. Side Frame
18	16848	N	Seat Plate	36	17359	N	Lower Frame
19	710-0351		Truss Mach. B-Tap Scr. #10 x .5" Lg.	37	731-1052		Rubber Foot Pad (Optional)
20	731-0405		Snap Bushing	38	757-0338		Seat Ass'y.
	725-0759		Reverse Safety Switch	39	15607D	N	Seat Pivot Bracket
21	—		Shift Cover (Refer to Style Sheet)	40	710-0623		Hex Tap Scr. 3/8-16 x .75" Lg.
22	—		L-Wash. 1/4" I.D.*	41	831-0823A	N	Throttle Control Box Ass'y.
				42	746-0634		Throttle Control Wire 35" Lg.
				43	17239A	N	Seat Lift Bracket

# Models 812 thru 829





# Models 812 thru 829

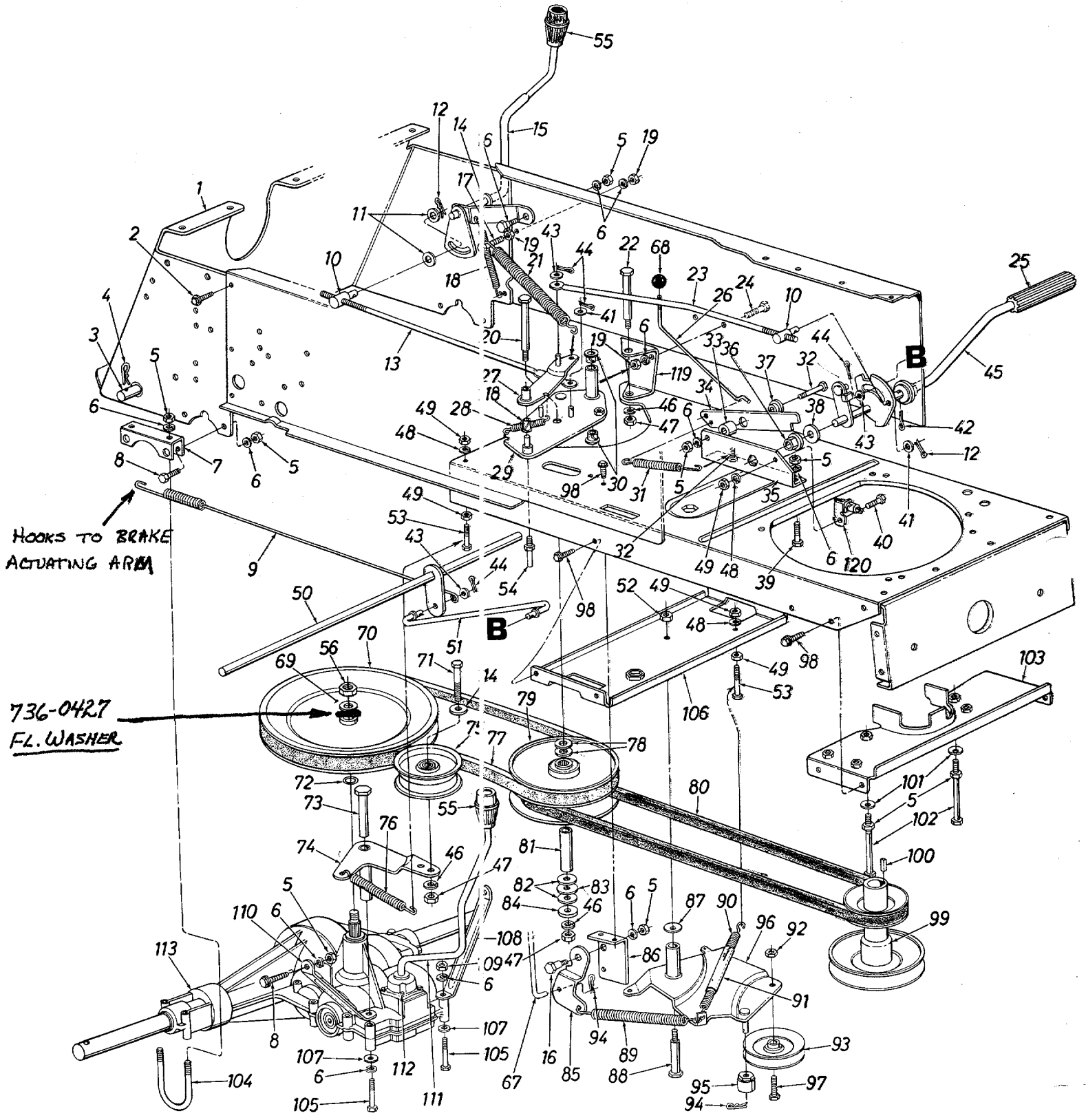
## PARTS LIST FOR MODELS 812 THRU 829 GARDEN TRACTORS

REF. NO.	PART NO.	CODE	DESCRIPTION	REF. NO.	PART NO.	CODE	DESCRIPTION
1	16512		Steering Column Ass'y.	38	16843	N	Pivot Bar Assy.
2	738-0763	N	Lower Steering Shaft	39	16889	N	Pivot Bar Support Brkt.—Front
3	710-0958		Hex Bolt 1/4-20 x 1.31" Lg.	40	16890	N	Pivot Bar Support Brkt.—Rear
4	712-0324		Hex L-Nut 1/4-20 Thd.	41	736-0188		Fl-Wash. .76" I.D. x 1.49" O.D.
5	712-0337		Hex Nut 5/8-18 Thd.*	42	738-0781	N	Front Axle Ass'y.—L.H.
6	717-0943	N	Steering Gear Segment	43	738-0782	N	Front Axle Ass'y.—R.H.
7	736-0317		Bell-Wash. 5/8" I.D. x 1.25" O.D.	44	736-0286		Bowed Washer
8	712-0241		Hex Nut 3/8-24 Thd.	45	748-0160		Spacer .755" I.D. x 1.25" O.D.
9	712-0711		Hex Jam Nut 3/8-24 Thd.	46	710-0331		Hex Bolt 3/8-24 x 2.25" Lg.
10	736-0169		L-Wash. 3/8" I.D.*	47	712-0798		Hex Nut 3/8-16 Thd.*
11	738-0768		Steering Gear Segment Shaft	48	741-0515	N	Needle Brg. .75" I.D.
12	736-0187		Fl-Wash. .64" I.D. x 1.24" O.D.	49	736-0316		Fl-Wash. .71" I.D. x 1.5" O.D.
13	748-0227		Hex Flange Brg. .63" I.D.	50	734-1500A	N	Wheel Ass'y. Comp.
14	723-3018		Ball Joint Ass'y.		734-0275		Tire Only
15	710-0599		Hex Wash. Hd. TT-Tap Scr. 1/4-20 x .5" Lg.	51	734-1501A	N	Rim Only
16	16888	N	Deck Idler Support Brkt.	52	726-0271		Push Nut
17	736-0343		Fl-Wash. .33" I.D. x 1.25" O.D.	53	711-0222		Battery Hold Down Rod
18	750-0532		Spacer .985" I.D. x 1.25" O.D.	54	13379		Battery Carrier
19	736-0119		L-Wash. 5/16" I.D.*	55	710-0258		Hex Bolt 1/4-20 x .62" Lg.*
20	712-0123		Hex Nut 5/16-24 Thd.*	56	736-0329		L-Wash. 1/4" I.D.*
21	736-0242		Bell-Wash. .345" I.D. x .88" O.D.	57	712-0287		Hex Nut 1/4-20 Thd.*
22	16894	N	Bearing Retainer Brkt.	58	725-0453A	N	Battery
23	710-0157		Hex Bolt 5/16-24 x .75" Lg.	59	731-0707		Battery Cover
24	710-0793		Ribbed Neck Bolt 3/8-24 x .8" Lg.	60	712-0113		Wing Nut Plastic 1/4-20 Thd.
25	710-0604		Hex Wash. TT-Tap Scr. 5/16-18 x .62" Lg.	61	731-0559		Steering Bellow (Style 3, 8 & 9)
26	747-0579	N	Steering Drag Link		731-0954		Steering Bellow (Style 2 & 7)
27	16896	N	Pivot Bar Side Plate—R.H.	64	731-0806A	N	Steering Wheel
28	16897	N	Pivot Bar Side Plate—L.H.	65	731-0220		Steering Wheel Cap
29	710-0538		Hex Bolt 5/16-18 x .62" Lg.	66	712-0237		Hex L-Nut 5/16-24 Thd.
30	16918	N	Steering Arm	67	17359	N	Lower Frame
31	738-0777	N	Deck Connecting Rod	68	731-1049	N	Pivot Bar End Cap } OPTIONAL
32	738-0775		Pivot Bar Shld. Bolt 3/8-16 x 5/8" Lg.	69	737-0146		Grease Fitting
33	731-0484A	N	Cap	70	714-0149B	N	Internal Cotter Pin
34	714-0121		Cotter Pin 5/32" Dia.	71	731-0484A	N	Hub Cap
35	736-0316		Flat Washer		734-1503		Hub Cap (5 Spoke)†
36	741-0523		Flange Brg. .757" I.D.	72	727-0425	N	Spring Clip†
37	747-0721		Tie Rod 20.25" Lg.	73	710-0837		Oval Hd. Cr.-Sunk Scr. #10 x 5/8" Lg. (Not Used on Style 9)
				74	741-0356		Fl-Bearing .89" I.D. x 1.36" O.D. (Not Used on Style 9)
				75	734-0255		Air Valve

### †Optional Parts

\*For faster service obtain standard nuts, bolts and washers locally.  
If these items cannot be obtained locally, order by part number and size as shown on parts list.

# Models 812 thru 829



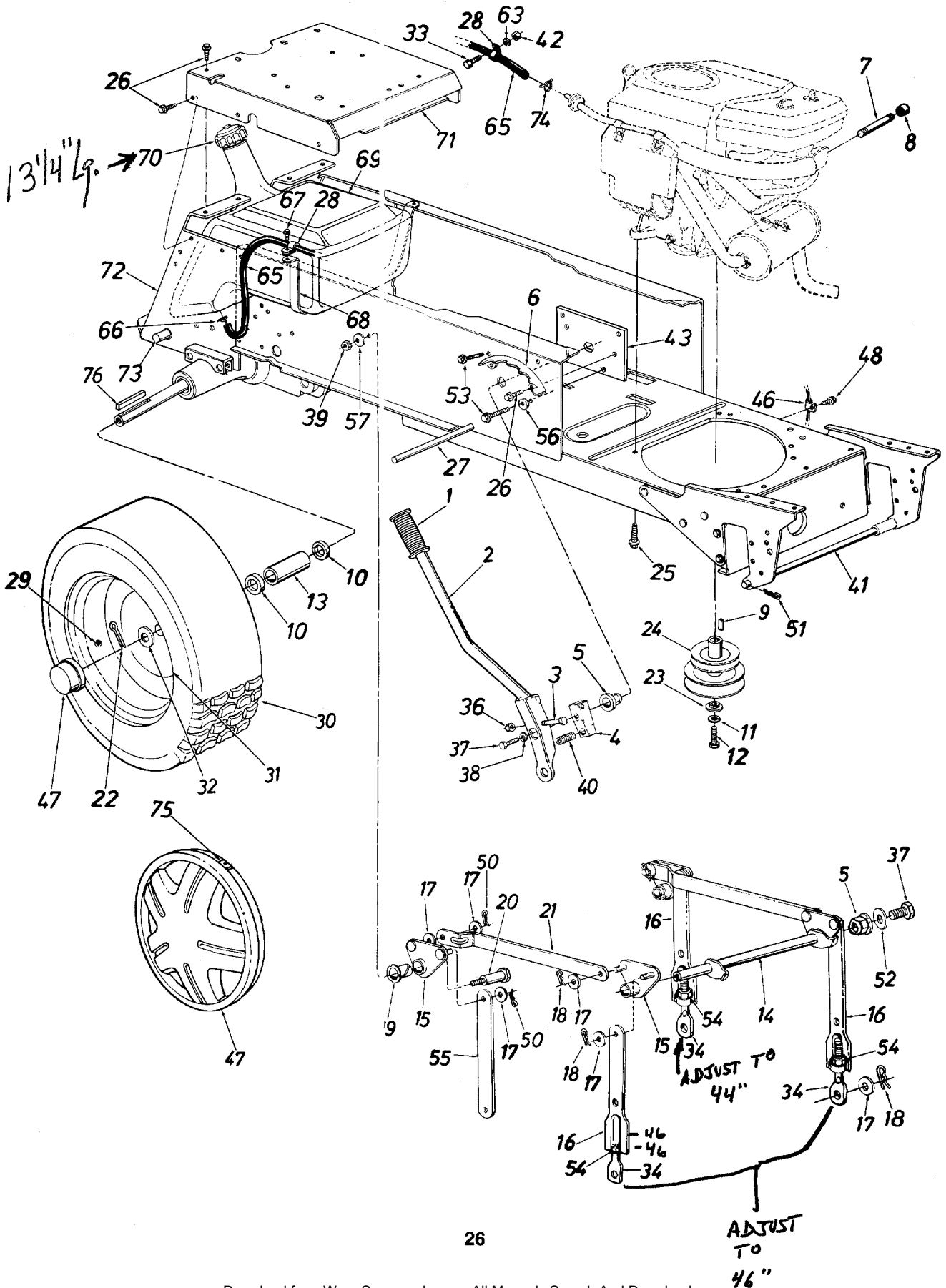
# Models 812 thru 829

## PARTS LIST FOR MODELS 812 THRU 829 GARDEN TRACTORS

REF. NO.	PART NO.	CODE	DESCRIPTION	REF. NO.	PART NO.	CODE	DESCRIPTION
1	17343	N	Hitch Plate	54	711-0828	N	Belt Guard Pin
2	710-0726		Hex AB-Tap Scr. 5/16" x .75"	55	720-0218		Shift Knob
3	738-0482		Hitch Rod	56	712-3035	N	Hex Jam Nut 9/16-18 Thd.
4	714-0147		Hitch Pin Clip	67	—		Deck Control Rod (Refer to Style Sheet)
5	712-0267		Hex Nut 5/16-18 Thd.*	68	720-0166		Ball Knob Brake
6	736-0119		L-Wash. 5/16" I.D.*	69	736-0427	N	Bell-Wash. 9/16" I.D. x 1.25"
7	17340	N	Transaxle Bracket	70	756-0534	N	V-Pulley 9 1/4" O.D.
8	710-3008		Hex Bolt 5/16-18 x .75" Lg. (Gr. 5)	71	710-0539		Hex Bolt 3/8-24 x 1.75" Lg.
9	732-0601	N	Brake Extension Spring	72	732-0614		Wire Ring
10	711-0723A	N	Adjustment Ferrule 3/8-24 Thd.	73	738-0769		Shld. Bolt 5/16-24 Thd.
11	736-0267		FI-Wash. .385" I.D. x .87"	74	16904		Idler Brkt. Ass'y.
12	714-0104		Internal Cotter Pin	75	756-0542		Flat Idler 3.5" O.D.
13	747-0729	N	Speed Control Link (Rear)	76	732-0604		Extension Spring 6.12" Lg.
14	736-0192		FI-Wash. .531" I.D. x .94"	77	754-0360	N	V-Belt 4 7/8" C.O.G. -
15	16906	N	Speed Selector Lever Ass'y.	78	736-0414		Teflon Washer 1.20" O.D.
16	738-0155		Shld. Bolt .437" Dia. x .162"	79	717-0946	N	Variable Speed Pulley 6" Dia.
17	710-0672		Hex Bolt 5/16-24 x 1.25" Lg.	80	754-0358	N	V-Belt 5 1/2" C.O.G. -
18	732-0429		Extension Spring 3.9" Lg.	81	738-0778		Pivot Bushing
19	712-3057		Hex Nut 5/16-24 Thd. (Gr. 5)	82	736-0355		FI-Wash. .56" I.D. x 1.0" O.D. -
20	710-0620		Hex Bolt 3/8-24 x 4.5" Lg.	83	741-0805 0405		Thrust Brg. .56" I.D. x 1.25"
21	732-0603	N	Extension Spring 11" Lg.	84	17485	N	Retainer Cup
22	738-0779		Shld. Bolt .625" Dia. x 3.5" Lg.	85	13887		Deck Control Pivot Brkt.
23	747-0726	N	Speed Control Link (Front)	86	13833		Parking Brake Mtg. Brkt.
24	710-0157		Hex Bolt 5/16-24 x .75" Lg.	87	736-0105		Bell-Wash. .38" I.D. x .88" O.D.
25	735-0196		Foot Pad	88	738-0129		Shld. Bolt .498" Dia. x 2.05"
26	747-0722	N	Parking Brake Link	89	732-0478		Extension Spring 6.12" Lg.
27	16990	N	Variable Speed Torque Brkt. Ass'y.	90	732-0308		Extension Spring 6.37" Lg.
28	732-0568		Extension Spring 2.59" Lg.	91	731-0483		Convuluted Conduit 4" Lg.
29	17205	N	Pulley Brkt. Sub Ass'y.	92	712-0214		Hex Cent. L-Nut 3/8-24 Thd.
30	741-0495		Flanged Brg. .625" I.D.	93	756-0293A	N	V-Belt Idler
31	732-0395		Extension Spring 2.51" Lg.	94	714-0104		Internal Cotter Pin
32	710-0528		Hex Bolt 5/16-18 x 1.25" Lg.*	95	748-0278		Spacer
33	750-0214		Spacer .34" I.D. x .88"	96	14076A	N	Idler Brkt. Deck Ass'y.
34	16980	N	Brake Lockout Bracket	97	710-0459		Hex Bolt 3/8-24 x 1.5" Lg.
35	16924	N	Clutch Ass'y. Mtg. Bracket	98	710-0599		Hex TT-Tap Scr. 1/4-20 x .5"
36	741-0225		Hex Flange Brg. .634" I.D.	99	756-0531	N	Engine Pulley
37	748-0234		Shld. Spacer .5" Dia.	100	714-0118		Sq. Key 1/4 x 1.5" Lg.
38	736-0187		FI-Wash. .64" I.D. x 1.24"	101	736-0242		Bell-Wash. .345" I.D. x .88"
39	710-0118		Hex Bolt 5/16-18 x .75" Lg.*	102	710-0833		Hex Bolt 5/16-18 x 5.25" Lg.
40	710-0250		Hex Bolt 1/4-20 x .62" Lg.*	103	17357	N	Belt Keeper Brkt. Ass'y.
41	736-0185		FI-Wash. .406" I.D. x .75" O.D.	104	711-0829	N	U-Bolt
42	714-0115		Cotter Pin 1/8" Dia.	105	710-0593		Hex Bolt 5/16-24 x 2.25" Lg.
43	736-0275		FI-Wash. .34" I.D. x .68" O.D.	106	16888	N	Deck Idler Support Brkt.
44	714-0507		Cotter Pin 3/32" Dia.	107	736-0264		FI-Wash. .344" I.D. x .62" O.D.
45	17336	N	Foot Pedal Brkt. Ass'y.	108	16979	N	Front Trans. Support Brkt.—L.H.
46	736-0169		L-Wash. 3/8" I.D.*	109	712-0123		Hex Nut 5/16-24 Thd.*
47	712-0241		Hex Nut 3/8-24 Thd.	110	16978	N	Front Trans. Support Brkt.—R.H.
48	736-0329		L-Wash. 1/4" I.D.*	111	717-0985	N	Shift Lever Ass'y. Complete
49	712-0287		Hex Nut 1/4-20 Thd.*	112	710-1048	N	Socket Hd. Cap Scr. #10 x 24
50	17349	N	Brake Link Bracket	113	717-1150	N	2-Speed Transmission Comp.
51	747-0724	N	Front Brake Rod Link	114	736-0258		FI-Wash. 3/8" I.D. x 1.0" O.D.
52	712-0375		Hex Cent. L-Nut 3/8-16 Thd.	118	741-0419		Nyliner Flanged Brg.
53	710-0501		Hex Bolt 1/4-20 x 2.0" Lg.	119	17180		Variable Speed Support Brkt.
				120	725-0268		Safety Switch (Clutch)

# Models 812 thru 829

B&S OIL FILTER  
#491056



# Models 812 thru 829

## PARTS LIST FOR MODELS 812 THRU 829 GARDEN TRACTORS

NO.	PART NO.	CODE	DESCRIPTION	REF. NO.	PART NO.	CODE	DESCRIPTION
1	720-0233	N	Grip	33	710-0258		Hex Bolt 1/4-20 x .62" Lg.
2	14233		Lift Handle Ass'y.	34	711-0817		Eye Bolt Adj. Link 1/2-13 Thd.
			(Style 2, 3 & 7)	36	712-0158		Hex Cent. L-Nut 5/16-18 Thd.
	17282		Lift Handle Ass'y. (Style 8 & 9)	37	710-0237		Hex Scr. 5/16-24 x .62" Lg.*
3	710-0442		Hex Bolt 5/16-18 x 1.5" Lg.*	38	736-0119		L-Wash. 5/16" I.D.*
4	748-0274A	N	Lift Shaft Drive	39	712-0181		Hex Top L-Nut 3/8-16 Thd.
5	741-0225		Plastic Hex Brg. 5/8" I.D.	40	732-0369		Compression Spring
6	14231		Index Brkt. Deck Lift	41	738-0777	N	Deck Connecting Rod
7	737-0164		Pipe Nipple 3/8-18 Npt.	42	712-0287		Hex Nut 1/4-20 Thd.*
8	737-0143		Pipe Cap 3/8-18 Npt.	43	14170		Index Brkt. Reinforcement Plate
9	714-0118		Sq. Key 1/4" x 1/4" x 1.50" Lg.	46	726-0273	N	Mounting Clamp
10	736-0163		Fl-Wash. 1.03" I.D. x 1.62" O.D.	47	731-0556	N	Hub Cap
11	736-0171		L-Wash. 7/16" I.D.		734-1504		Hub Cap (5 Spoke)
12	710-0757		Hex Scr. 7/16-20 x 1.50" Lg.	48	710-0599		Hex Wash. Hd. TT-Tap Scr. 1/4-20 x .5" Lg.
13	750-0762	N	Spacer 1.0" I.D. x 1.25" O.D.	50	714-0111		Cotter Pin .09 Dia. x 1.0" Lg.
14	13889		Lift Shaft Ass'y.	51	714-0149B	N	Int. Cotter Pin
15	13895		Lift Pivot Brkt. Ass'y.	52	736-0231		Flat Wash. .34" I.D. x 1.12" O.D. x .125"
16	17303		Adj. Deck Lift Link	53	710-0600		Hex Wash. Hd. AB-Tap Scr. 5/16-24 x .5" Lg.
17	736-0192		Fl-Wash. 1/2" I.D. x 1.00" O.D. x .090"	54	712-0206		Hex Nut 1/2-13 Thd.
18	714-0101		Hairpin Cotter	55	14399		Deck Link
19	741-0295		Nyliner 5/8" I.D. x .88" Lg.	56	736-0264		Fl-Wash. .344" I.D.
20	738-0445		Shld. Bolt 5/8" Dia. x .96" Lg. 3/8-16	57	736-0219		Bell-Wash. .4" I.D. x 1.13" O.D.
			Connecting Link	60	710-0118		Hex Bolt 5/16-18 x .75" Lg.*
	13790		Hex Bolt 5/16-24 x .75" Lg.	63	736-0329		L-Wash. 1/4" I.D.*
	710-0627		Flat Wash. .44" I.D. x 1.25" O.D. x .17"	65	751-0535	N	Fuel Line 50" Lg.
	736-0322		Two-Step Engine Pulley	66	726-0205	N	Hose Clamp
24	756-0531	N	Hex Wash. Hd. Scr. 3/8-16 x 1.25" Lg.	67	710-0776		Hex AB-Tap Scr. 1/4 x .62" Lg.
25	710-0502A	N	Hex Thd. Rolling Scr. 5/16-18 x .75" Lg.	68	17424	N	Fuel Tank Strap
26	710-0726		Running Board Rod	69	751-0528	N	Gas Tank
27	738-0435		Clamp	70	751-0531	N	Gas Gauge
28	726-0272		Air Valve	71	16848	N	Seat Plate
29	734-0255		Rear Wheel Ass'y. Comp.	72	17343	N	Hitch Plate
30	734-1005		Tire Only	73	738-0482		Hitch Rod
	734-0322		Rear Wheel Rim Only	74	726-0207 0205		Hose Clamp
31	734-1015	N	Flat Washer	75	727-0425	N	Spring Clip
32	736-0345			76	714-0120		Sq. Key 1/4" x 3" Lg.

\*For faster service obtain standard nuts, bolts and washers locally. If these items cannot be obtained locally, order by part number and size as shown on parts list.

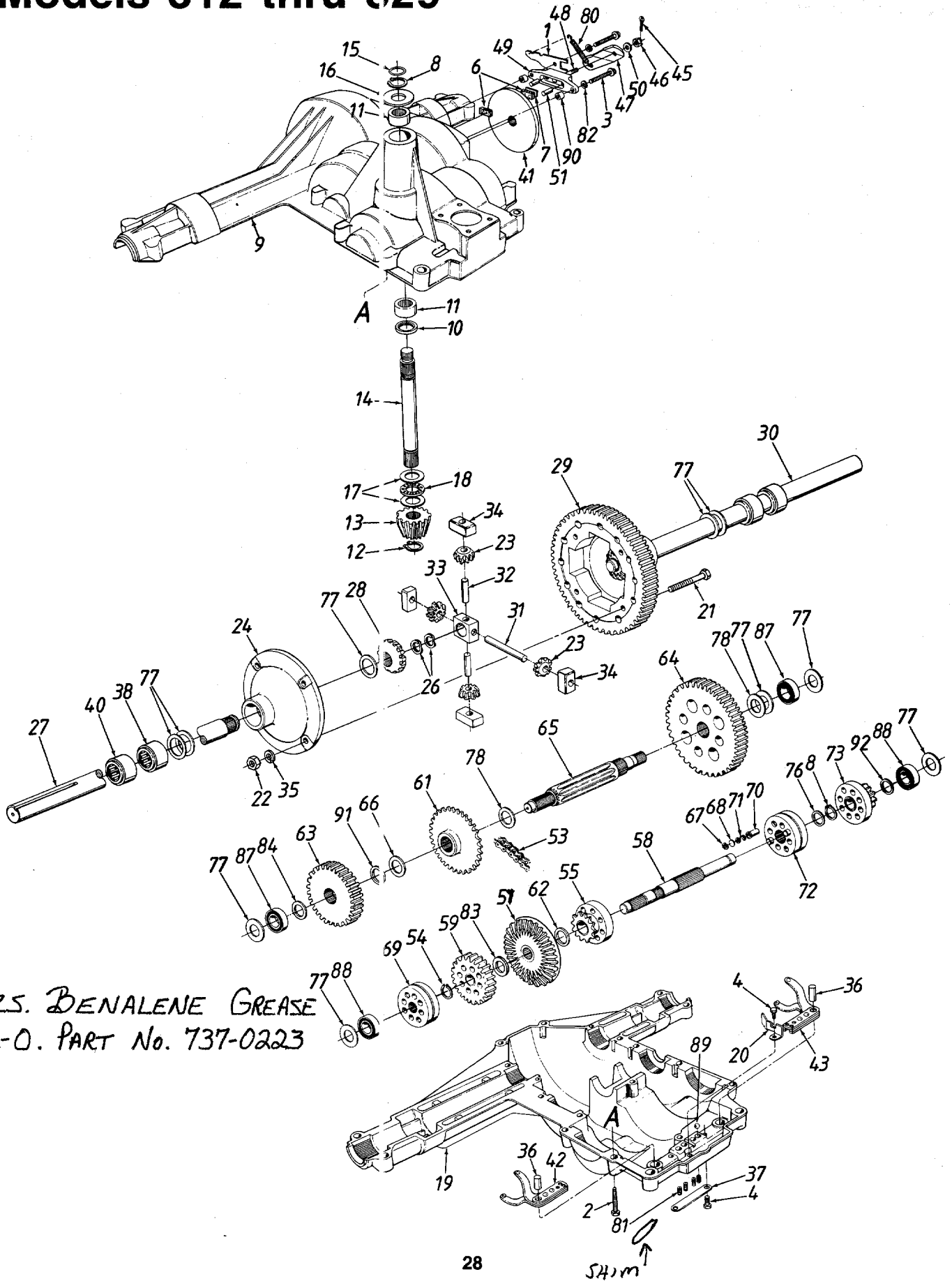
GAS GAUGE

751-0531 = 13 1/4 Lg.

751-0531A = 12.2 Lg

751-0531B = 11.2 Lg 1990

# Models 812 thru 829



# Models 812 thru 829

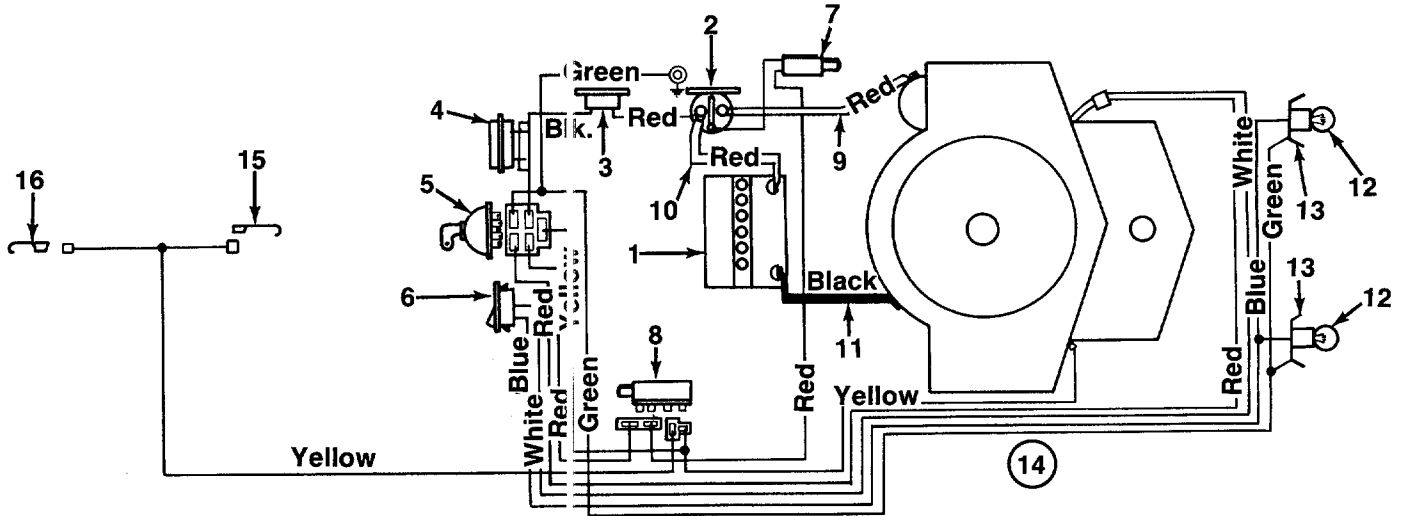
## PARTS LIST FOR MODEL 717-1150 TRANSAXLE

REF. NO.	PART NO.	CODE	DESCRIPTION	REF. NO.	PART NO.	CODE	DESCRIPTION
1	17434	N	Brake Return Bracket	45	714-0507		Cotter Pin 3/32" Dia.
2	710-0809		Hex Bolt 1/4-20 x 1.25" Lg.	46	712-0335		Castle Nut 5/16-24 Thd.
3	710-0886		Hex Bolt 1/4-20 x 1.5" Lg. (Gr. 5)	47	717-1132	N	Brake Actuating Arm
4	710-1011	N	Tap Scr. 1/4-20 x .38" Lg.	48	717-0796		Sq. Hd. Bolt 5/16-24 Thd.
6	717-0678		Brake Puck	49	717-1179	N	Brake Yoke
7	717-0682		Puck Plate	50	736-0371		FI-Wash. 11/32" I.D. x 7/8" O.D.
8	716-0171	N	Retainer Ring	51	741-0787	N	Brake Actuating Pin
9	717-1164	N	Upper Housing	53	713-0326		#420 Chain 1/2 Pitch x 28 Links
10	721-0253	N	Oil Seal	54	716-0149	N	Retainer Ring
11	741-0525	N	Needle Brg. 5/8" I.D. x 7/8" O.D.	55	717-1141	N	Reverse Sprocket Ass'y.
				57	717-1157	N	Bevel Gear 47T
12	716-0114		Snap Ring	58	717-1160	N	Drive Shaft
13	717-1133	N	Input Pinion 15T	59	717-1174	N	Spur Gear Ass'y.
14	717-1134	N	Input Shaft	61	717-1182	N	Sprocket 22T
15	732-0614	N	Wire Ring	62	736-0421	N	FI-Wash. .81" I.D. x 1.18" O.D.
16	736-0335		Thrust Washer 5/8" I.D.	63	717-1155	N	Spur Gear 31T
17	736-0419	N	Thrust Washer	64	717-1156	N	Spur Gear 45T
18	741-0469	N	Thrust Bearing	65	717-1158	N	Output Shaft 9T
19	717-1161	N	Lower Housing	66	717-1172	N	Spacer
20	717-1166	N	Shift Guide	67	716-0170	N	Internal Retainer Ring
21	710-0151		Hex Bolt 3/8-24 x 2.0" Lg.*	68	717-1137	N	Plug .44" Dia.
22	712-3054	N	Hex L-Nut 3/8-24 Thd. (Gr. 5)	69	717-1167	N	Forward Shift Collar
23	717-1120	N	Differential Gear 10T	70	717-1175	N	Drive Pin
24	717-1147	N	Differential Housing Cover Ass'y.	71	732-0590	N	Drive Spring
	716-0172	N	Retainer Ring	72	717-1168	N	Creeper Shift Collar
	717-1112	N	Axle R.H.	73	717-1193	N	Creeper Collar Plate Ass'y.
28	717-1119	N	Differential Gear 14T	76	736-0353	N	FI-Wash. .65" I.D. x .97" O.D.
29	717-1159	N	Differential Bull Gear 60T	77	**	N	FI-Wash. (See Below)
30	717-1111	N	Axle L.H.	78	736-0424	N	FI-Wash. 1.0" I.D. x 1.56" O.D.
31	717-1173	N	Cross Shaft	80	732-0545		Ext. Spring 1.14" Lg.
32	717-1178	N	Cross Shaft—Special	81	732-0598	N	Detent Spring
33	717-1180	N	Differential Pinion Block	82	736-0329		L-Wash. 1/4" I.D.*
34	717-1190	N	Differential Thrust Block	83	736-0349		FI-Wash. 5/8" I.D. x 1.0" O.D.
35	736-0413	N	Spr. Wash. .39" I.D. x .62" O.D.	84	736-0422	N	FI-Wash. .68" x 1.12"
36	717-1138	N	Shift Pin	87	741-0124		Ball Brg. .669" I.D.
37	717-1139	N	Spring Plate	88	741-0524	N	Ball Bearing
38	741-1143	N	Axle Bearing Ass'y.	89	741-0862		Ball Detent .25" Dia.
40	717-1144	N	Axle Bearing Ass'y.	90	750-0555		Spacer .254" I.D. x .5" O.D.
41	717-1177	N	Brake Disc	91	736-0333		FI-Wash. .69" I.D. x 1.06" O.D.
42	717-1185	N	Shift Arm Ass'y.—R.H.	92	***		FI-Wash. (See Below)
43	717-1186	N	Shift Arm Ass'y.—L.H.				

\*\* Ref. No. 77 736-0423 FI-Wash. 1" I.D. x 1.56" O.D. x .010" Thk.  
 736-0431 FI-Wash. 1" I.D. x 1.56" O.D. x .015" Thk.  
 736-0424 FI-Wash. 1" I.D. x 1.56" O.D. x .020" Thk.  
 736-0420 FI-Wash. 1" I.D. x 1.56" O.D. x .040" Thk.

\*\*\* Ref. No. 92 736-0349 FI-Wash. 5/8" I.D. x 1.0" O.D. x .020" Thk.  
 736-0336 FI-Wash. 5/8" I.D. x 1.0" O.D. x .030" Thk.  
 736-0337 FI-Wash. 5/8" I.D. x 1.0" O.D. x .040" Thk.

# Models 812 thru 829



## PARTS LIST FOR ELECTRICAL SYSTEM

REF. NO.	PART NO.	CODE	DESCRIPTION	REF. NO.	PART NO.	CODE	DESCRIPTION
1	725-0453A	N	Battery	9	725-0561		Electric Wire 14" Lg.
2	725-0771		Solenoid	10	725-0563		Electric Wire 7.5" Lg.
3	725-0459		Circuit Breaker	11	725-0996		Ground Wire 7.5" Lg.
4	725-0925		Ammeter	12	725-0963		Lamp
5	725-0267		Ignition Switch	13	725-1058		Socket
6	725-0634		Light Switch	14	725-1398	N	Wire Harness
7	725-0268		Safety Switch (Clutch)	15	725-0759		Spring Switch
8	725-0465A	N	Safety Switch (PTO)	16	725-1303		Spring Switch





# PARTS INFORMATION

## POWER EQUIPMENT PARTS AND SERVICE

Parts and service are available through the authorized service firms listed below. All orders should specify the model number of your unit, part numbers, description of parts and the quantity of each part required.

**NOTE:** If any parts are found to be missing or defective upon assembly of this unit, write to advise the factory so that immediate replacement can be made.

## BRIGGS AND STRATTON, TECUMSEH AND PEERLESS PARTS SERVICE

Briggs & Stratton, Tecumseh and Peerless parts and service should be handled by your nearest authorized engine service firm. Check the yellow pages of your telephone directory under the listing **Engines—Gasoline**, Briggs & Stratton or Tecumseh Lauson.

<b>ALABAMA</b>	<b>BIRMINGHAM</b>	<b>NEW YORK</b>	<b>CARTHAGE</b>
Auto Electric & Carburetor Co. . . . .	2625 4th Ave. S. Box 2466 . . . . . 35233	Gamble Dist., Inc. . . . .	West End Ave. Box 389 . . . . . 13619
<b>ARKANSAS</b>	<b>NORTH LITTLE ROCK</b>	<b>NORTH CAROLINA</b>	<b>GREENSBORO</b>
Sutton's Lawn Mower Shop. . . . .	5301 Roundtop Drive Box 368, Rt. 4 . . . . . 72117	Dixie Sales Company. . . . .	335 N. Green Box 1408 . . . . . 27402
<b>CALIFORNIA</b>	<b>PORTERVILLE</b>	<b>OHIO</b>	<b>CARROLL</b>
Billious . . . . .	75 North D Street . . . . . 93257	Stebe's Mid-State Mower Supply	Box 366, 71 High St. . . . . 43112
<b>COLORADO</b>	<b>DENVER</b>	Bleckrie, Inc. . . . .	<b>CLEVELAND</b>
Spitzer Industrial Products Co. . . . .	6601 N. Washington St. . . . . 80229	National Central . . . . .	7900 Lorain Ave. . . . . 44102
<b>FLORIDA</b>	<b>JACKSONVILLE</b>	Burton Supply Co. . . . .	<b>WADSWORTH</b>
Radco Distributors . . . . .	4909 Victor St. Box 5459 . . . . . 32207		687 Seville Rd. . . . . 44281
	<b>HIALEAH</b>		<b>YOUNGSTOWN</b>
Small Eng. Dist. . . . .	7995 W. 26th Court . . . . . 33016		1301 Logan Ave. Box 929 . . . . . 44501
<b>GEORGIA</b>	<b>EAST POINT</b>	<b>PENNSYLVANIA</b>	<b>HARRISBURG</b>
East Point Cycle & Key Inc. . . . .	2834 Church St. . . . . 30344	EECO Inc. . . . .	4021 N. 6th St. . . . . 17110
<b>ILLINOIS</b>	<b>LYONS</b>	Thompson Rubber Co. . . . .	<b>WILLOW GROVE</b>
Keen Edge Co. . . . .	8615 Ogden Ave. . . . . 60534	Bluemont Co. . . . .	850 Davisville Rd. . . . . 19090
<b>INDIANA</b>	<b>ELKHART</b>	Frank Roberts & Sons . . . . .	<b>PITTSBURGH</b>
Parts & Sales Inc. . . . .	2101 Industrial Pkwy. Box 277 . . . . . 46516	Scranton Auto Ignition Co. . . . .	11101 Frankstown Rd. . . . . 15235
<b>IOWA</b>	<b>DUBUQUE</b>		<b>PUNXSUTAWNEY</b>
Power Lawn & Garden Equip. . . . .	2551 J.F. Kennedy . . . . . 52001		R.D. 2 . . . . . 15767
<b>LOUISIANA</b>	<b>LAFAYETTE</b>	<b>TENNESSEE</b>	<b>SCRANTON</b>
Jourdan Engine Co. . . . .	214 W. Vermillion St. Box 3503 . . . . . 70501	Ace Distributors . . . . .	1133-35 Wyoming Ave. . . . .
<b>MARYLAND</b>	<b>TAKOMA PARK</b>	American Sales & Service, Inc. . . . .	<b>KNOXVILLE</b>
Center Supply Co. . . . .	6867 New Hampshire Ave. . . . . 20912		2103 Magnolia . . . . . 37
<b>MASSACHUSETTS</b>	<b>SPRINGFIELD</b>	<b>TEXAS</b>	<b>MEMPHIS</b>
Morton B. Collins Co. . . . .	300 Birnie Ave. . . . . 01107	Marr Brothers, Inc. . . . .	3035-43 Bellbrook . . . . . 38116
<b>MICHIGAN</b>	<b>MOUNT CLEMENS</b>	Engine House Inc. . . . .	<b>DALLAS</b>
Power Equipment Dist. . . . .	340 Hubbard . . . . . 48043		423 E. Jefferson . . . . . 75203
<b>MINNESOTA</b>	<b>PLYMOUTH</b>	<b>UTAH</b>	<b>SAN ANTONIO</b>
Hance Distributing Inc. . . . .	12795 16th Ave. North . . . . . 55441	Powered Products . . . . .	4918 Golden Quail . . . . . 78249
<b>MISSOURI</b>	<b>EARTH CITY</b>	<b>VIRGINIA</b>	<b>SALT LAKE CITY</b>
Oscar Wilson Engine & Parts . . . . .	4159 Shoreline Dr. . . . . 63045	RBI Corp. . . . .	1661 N. Beck St. . . . . 84116
	<b>KANSAS CITY</b>	<b>WASHINGTON</b>	<b>ASHLAND</b>
Automotive Equip. Service . . . . .	3117 Holmes St. . . . . 64109	Equip. Northwest . . . . .	101 Cedar Ridge Dr. . . . . 23005
<b>NEW JERSEY</b>	<b>ALLOWAY</b>	<b>WISCONSIN</b>	<b>SEATTLE</b>
Piersons . . . . .	Canal St., Box 494 . . . . . 08001	Wisconsin Magneto Inc. . . . .	1410 14th Ave. . . . . 98122
		<b>WISCONSIN</b>	<b>MILWAUKEE</b>
			4727 N. Teutonia St. . . . . 53209
		<b>PUERTO RICO</b>	<b>AGUADILLA</b>
		CIE & Associates, Inc. . . . .	Box 427 Ramey Station . . . . . 00604

### WARRANTY PARTS AND SERVICE POLICY

(0588)

The purpose of warranty is to protect the customer from defects in workmanship and materials, defects which are NOT detected at the time of manufacture. It does not provide for the unlimited and unrestricted replacement of parts. Use and maintenance are the responsibility of the customer. The manufacturer cannot assume responsibility for conditions over which it has no control. Simply put, if it's the manufacturer's fault, it's the manufacturer's responsibility; if it's the customer's fault, it's the customer's responsibility.

#### CLAIMS AGAINST THE MANUFACTURER'S WARRANTY INCLUDES:

1. Replacement of Missing Parts on new equipment.
2. Replacement of Defective Parts within the warranty period.
3. Repair of Defects within the warranty period.

All claims MUST be substantiated with the following information:

1. Model Number, Serial Number and/or Data Code of unit involved.
2. Date unit was purchased or first put into service.
3. Date of Failure.
4. Nature of Failure.

MTD PRODUCTS INC • P.O. BOX 360900 • CLEVELAND, OHIO 44136

## Free Manuals Download Website

<http://myh66.com>

<http://usermanuals.us>

<http://www.somanuals.com>

<http://www.4manuals.cc>

<http://www.manual-lib.com>

<http://www.404manual.com>

<http://www.luxmanual.com>

<http://aubethermostatmanual.com>

Golf course search by state

<http://golfingnear.com>

Email search by domain

<http://emailbydomain.com>

Auto manuals search

<http://auto.somanuals.com>

TV manuals search

<http://tv.somanuals.com>