

Bolens[®]

Parts Catalog

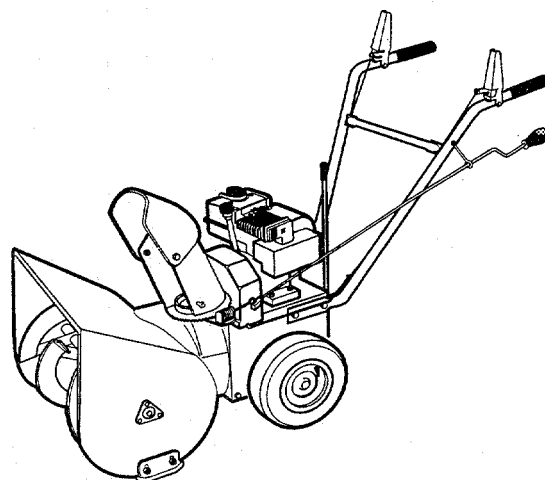
Snowthrower

Model

42028 — 21", 5 H.P.

Serial Numbers:

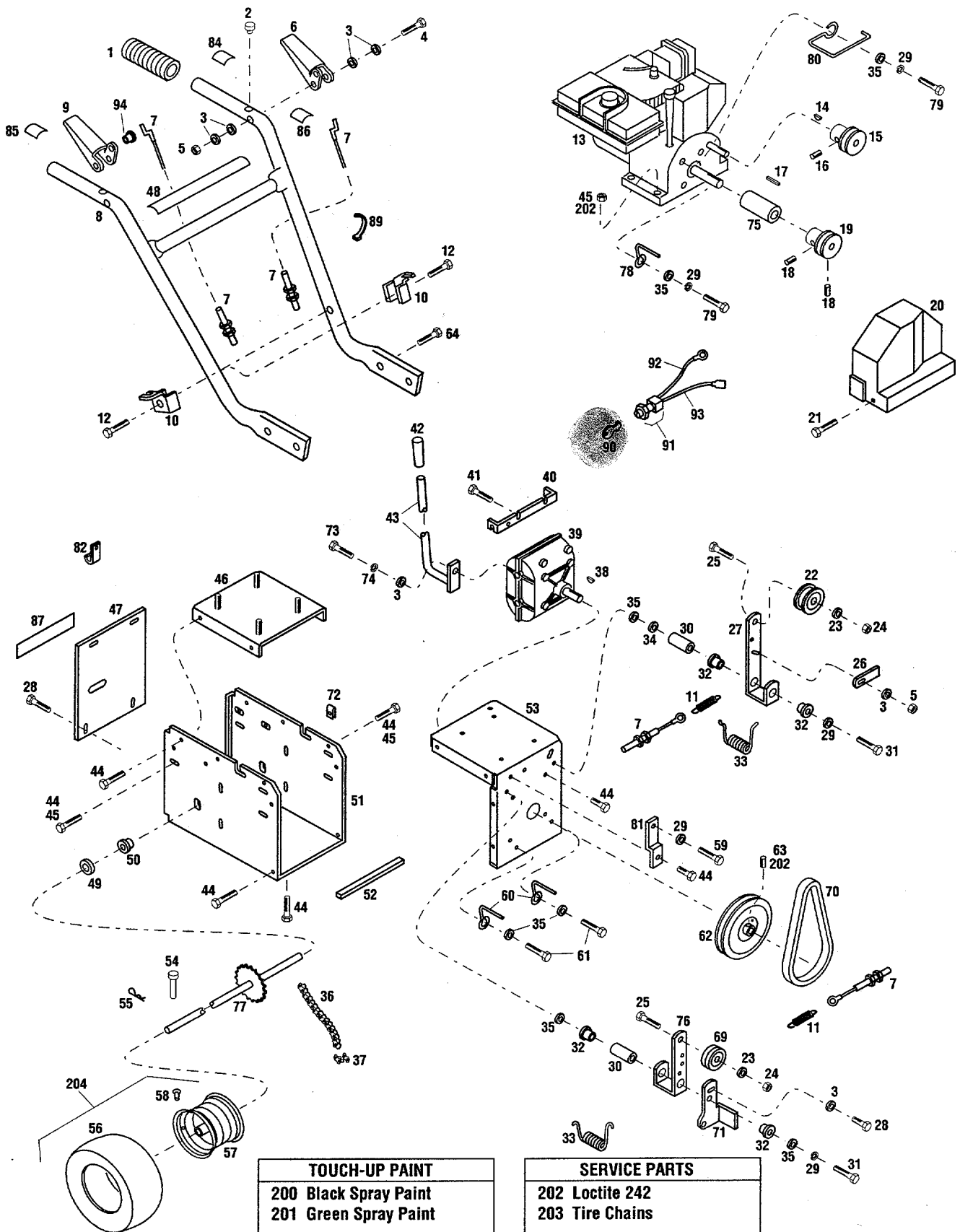
420280100101 - 420280199999



21", 5 H.P. Snowthrower

TRACTOR ASSEMBLY

S/N 420280100101- 420280199999



TOUCH-UP PAINT
200 Black Spray Paint
201 Green Spray Paint

SERVICE PARTS
202 Loctite 242
203 Tire Chains

Model 42028

Ref. #	Part #	Description	Qty.	Ref. #	Part #	Description	Qty.
1	1703539	Handle Grip	2	51	1756065021	Frame	1
2	1750796	Bumper	2	52	1750799	Rubber Pad	1
3	1107381	Flat Washer, 1/4	11	53	174929021	Frame Cover	1
4	1111601	Hex Bolt, 1/4-20 x 1-3/4	2	54	1724760	Clevis Pin	2
5	1734398	Locknut, 1/4-20	3	55	1717897	Hair Pin	2
6	1745673001	Control Lever	1	56	1755828**	Tire, 4.10/3.50 x 4.00	2
7	1771727	Drive Cable	2	57	1757891	Wheel Rim	2
8	1754443021	Handle Bar	1	58	1718086	Valve Stem	2
9	1745672001	Control Lever	1	59	1100029	Hex Bolt, 5/16-24 x 5/8	1
10	1749977001	Cable Bracket	2	60	1750704	Belt Guide	2
11	1752500	Extension Spring	1	61	1100044	Hex Bolt, 5/16-18 x 3/4	2
12	1754128	Thread Forming Screw, 1/4-20 x 3/4	2	62	1740127	Transmission Sheave	1
13	*	Tecumseh Engine, Model HSSK50	1	63	1733185	Set Screw, 5/16-18 x 5/8	2
14	1104435	Woodruff Key, 1/8 x 5/8	1	64	1186328	Flange Screw, 5/16-18 x 5/8	4
15	1740121	PTO Sheave	1	69	1710566	Flat Idler	1
16	1103441	Set Screw, 1/4-20 x 3/8	2	70	1746379	V-Belt	1
17	1108852	Square Key, 3/16 x 3/4	1	71	1771750	Brake Arm	1
18	1185596	Set Screw, 5/16-18 x 5/16	2	72	1185986	Speed Nut, #10	2
19	1752211	Engine Sheave	1	73	1100002	Hex Bolt, 1/4-28 x 3/4	1
20	1754175	Belt Cover	1	74	1100241	Lockwasher, 1/4	1
21	1115815	Truss Screw, #10-24 x 5/8	2	75	1740124	Spacer	1
22	1729440	Idler Pulley	1	76	1748443	Idler Arm	1
23	1100243	Lockwasher, 3/8	2	77	1754525	Axle	1
24	1186231	Hex Nut, 3/8-16	2	78	1720717	Belt Guide	1
25	1740130	Carriage Bolt, 3/8-16 x 1-1/2	2	79	1100004	Hex Bolt, 5/16-24 x 3/4	2
26	1751017	Idler Arm Stop	1	80	1754163	Belt Guide	1
27	1751019	Idler Arm	1	81	1754158	Bracket	1
28	1724492	Thread Forming Screw, 1/4-20 x 1/2	5	82	1754159	Cable Clamp	2
29	1100242	Lockwasher, 5/16	5	84	1774437	Decal, Wheel Drive	1
30	1748659	Spacer	2	85	1774438	Decal, Auger Drive	1
31	1111608	Hex Bolt, 5/16-18 x 2-1/2	2	86	1774439	Decal, Chute Control	1
32	1715538	Bearing	4	87	1763029	Decal, Caution	1
33	1740102	Torsion Spring	2	89	1735531	Cable Tie	6
34	1100257	Flat Washer, 1/2	1	90	1753986	Key	2
35	1100255	Flat Washer, 5/16	8	91	1727321	Ignition Switch Assembly (Incl. Key)	1
36	1748689	Drive Chain #41	1	92	1747117	Wire Lead w/Ring Terminal	1
37	1185013	Connector Link	1	93	1752302	Wire Lead w/Tab Terminals	1
38	1104436	Woodruff Key, 3/16 x 3/4	1	94	1771728	Nyliner Bearing	2
39	1740100	Transmission (See breakdown, page 6)	1	200	1736796	Green Spray Paint, 13 oz. can	NI
40	1740139021	Reinforcement Bracket	1	201	1735222	Black Spray Paint, 13 oz. can	NI
41	1766984	Thread Forming Screw, 5/16-18 x 3/4	2	202	1757032	Loctite #242, .02 oz.	A/R
42	1737041	Handle Grip	1	203	1750823	Tire Chains	NI
43	1749290021	Shift Handle	1	204	1757890	Wheel and Tire Assembly, (Incl. Refs. 56, 57 & 58)	2
44	1186327	Flange Lock Bolt, 5/16-18 x 1/2	17				
45	1186391	Flange Locknut, 5/16-18	6				
46	1748617021	Doubler Plate Assembly	1				
47	1774484	Rear Cover Assembly (Incl. Ref. 87)	1				
48	1774441	Shift Decal	1				
49	1739463	Flat Washer	2				
50	1739470	Bearing	2				

* Order parts from your local Tecumseh Power Products dealer. Refer to engine for model number, type number and code.

** Inner tube 1724156 also available.

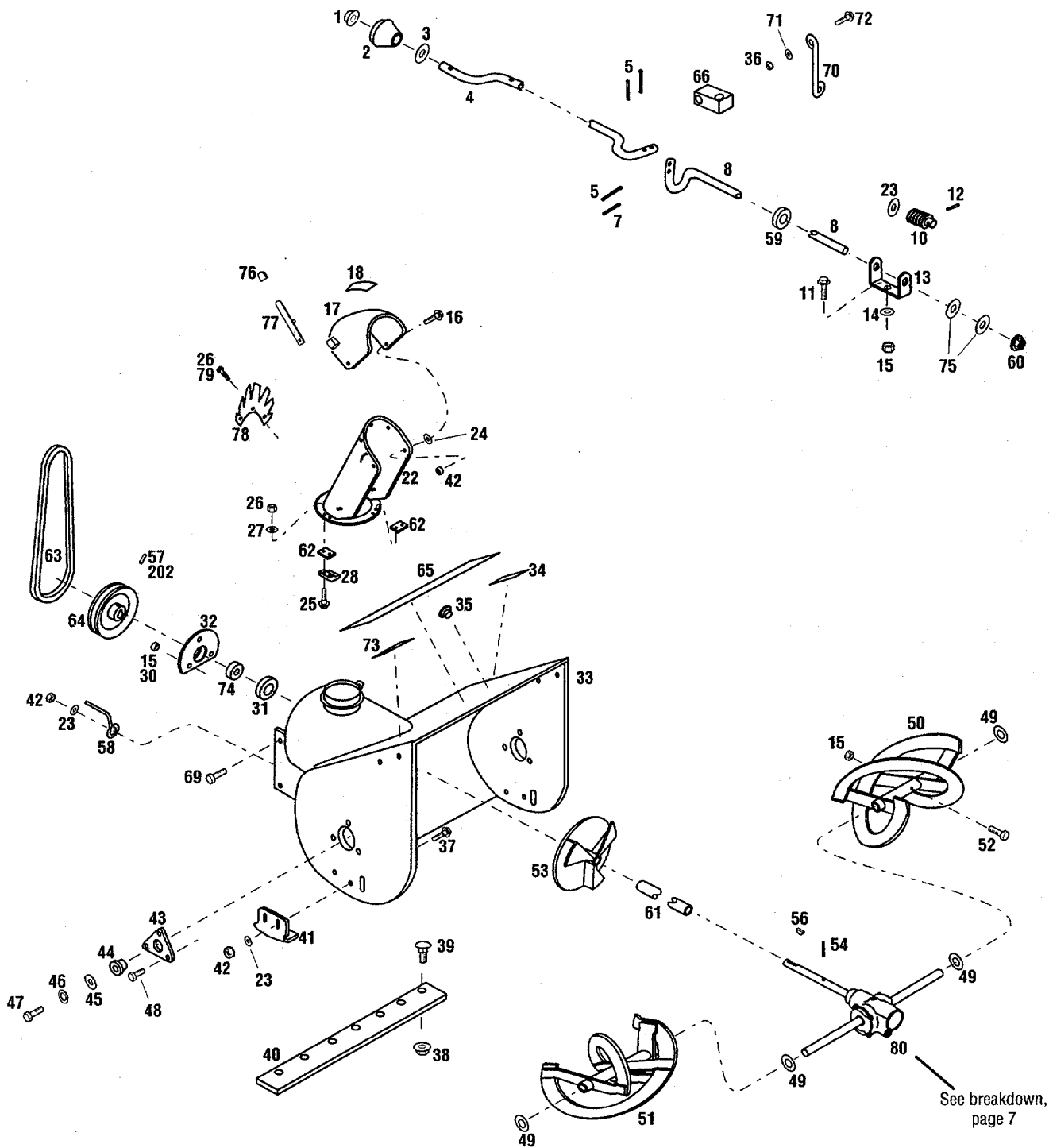
NI Item not included with unit. Order separately.

A/R As required.

21", 5 H.P. Snowthrower

AUGER ASSEMBLY

S/N 420280100101- 420280199999

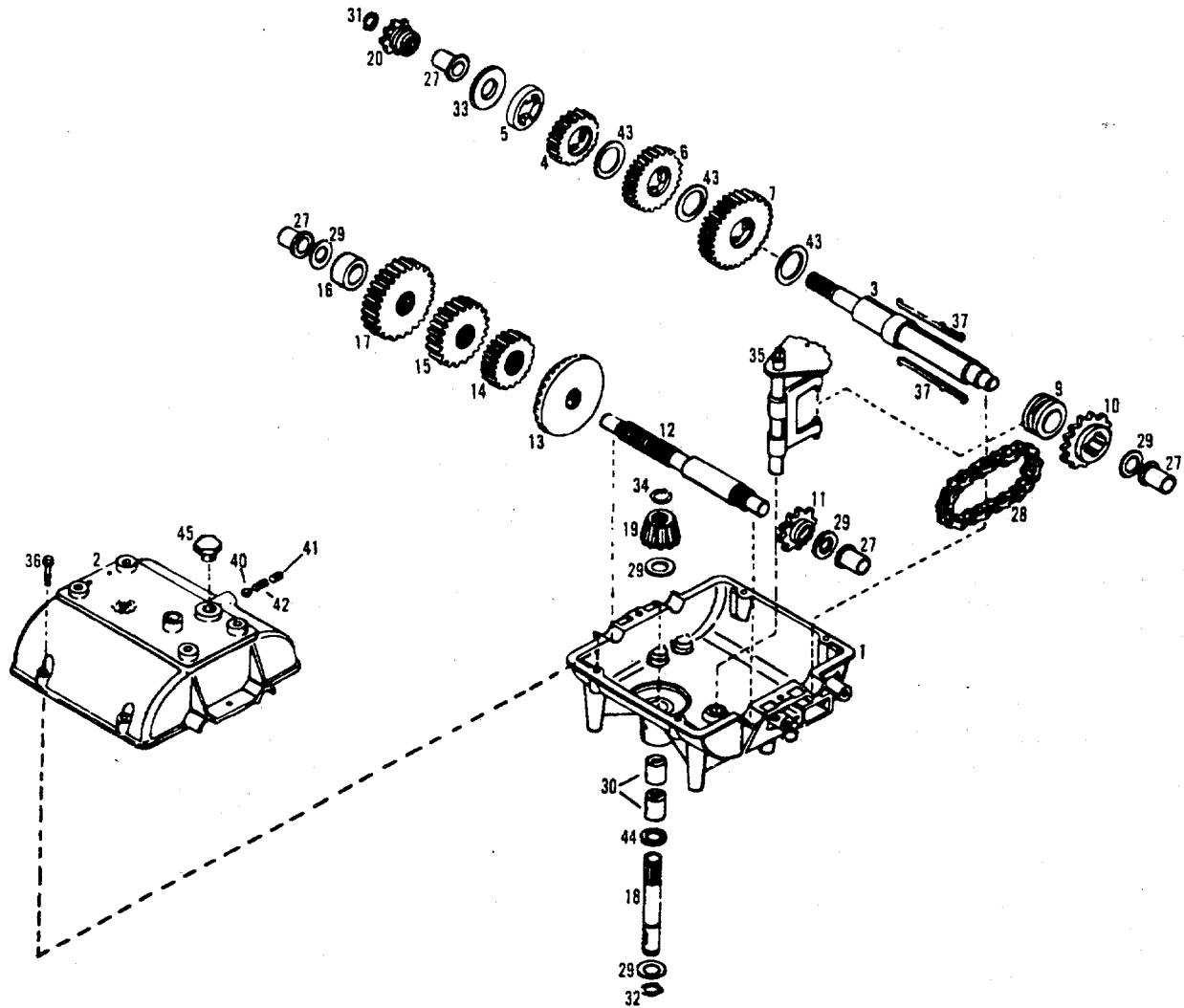


Ref. #	Part #	Description	Qty.	Ref. #	Part #	Description	Qty.
1	1724791	Push-On Cap	1	44	1185846	Flange Bushing	2
2	1735868	Knob	1	45	1100257	Flat Washer, 1/2	2
3	1890945	Flat Washer, 3/8	1	46	1100245	Lockwasher, 1/2	2
4	1752306	Chute Control Crank	1	47	1100053	Hex Bolt, 1/2-13 x 3/4	2
5	1185147	Cotter Pin, 3/32 x 5/8	3	48	1111599	Hex Bolt, 1/4-20 x 5/8	6
7	1177625	Roll Pin, 1/8 x 3/4	1	49	1185816	Special Washer	6
8	1771769	Chute Control Shaft	1	50	1740491001	Left Auger Blade	1
10	1724870	Worm Gear	1	51	1740490001	Right Auger Blade	1
11	1186329	Flange Bolt, 5/16-18 x 3/4	1	52	1750515	Shear Bolt, 5/16-18	2
12	1724885	Drive Pin, 3/32 x 3/4	1	53	1740462001	Impeller	1
13	1735869	Gear Support	1	54	1185348	Roll Pin, 1/4 x 1-1/4	1
14	1100255	Flat Washer, 5/16	1	56	1200033	Key, 3/16 x 3/4	1
15	1732499	Locknut, 5/16-18	8	57	1733185	Square Set Screw, 5/16-18 x 5/8	2
16	1100068	Hex Bolt, 3/8-16 x 3/4	2	58	1750703	Belt Guide	2
17	1751305	Cap Assembly (Incl. Ref. 18)	1	59	1714243	Nylon Bushing	2
18	1750692	Warning Decal	1	60	1185984	Flange Nut	1
22	1771723021	Chute	1	61	1753356	Sleeve	1
23	1107383	Flat Washer, 3/8	9	62	1752460	Shim	4
25	1752461	Sems Screw, #10-24 x 7/8	6	63	1752194	V-Belt- 36"	1
26	1772333	Locknut, #10-24	6	64	1752212	Caster Sheave	1
27	1103959	Flat Washer, #10	6	65	1774443	Logo Decal	1
28	1724869	Hold Down Clip	3	66	1714782	Swivel Block	1
30	1103195	Hex Bolt, 5/16-18 x 5/8	3	69	1724491	Flange Bolt, 5/16-18 x 3/4	4
31	1185809	Ball Bearing	1	70	1752318	Chute Crank Support	1
32	1739488	Bearing Retainer	1	71	1107381	Flat Washer, 1/4	1
33	1774485	Housing Assembly (Incl. Ref. 34)	1	72	1100811	Hex Head Cap Bolt, 1/4-20 x 1-1/2	1
34	1750691	Warning Decal	1	73	1900333	Decal, Made in U.S.A.	1
35	1750969	Plug	2	74	1719271	Shim Washer	1
36	1734398	Locknut, 1/4-20	7	75	1737957	Nylon Washer	2
37	1186126	Carriage Bolt, 3/8-16 x 3/4	4	76	1737499	Grip	1
38	1186391	Flange Locknut, 5/16-18	5	77	1723643	Adjusting Lever	1
39	1712059	Carriage Bolt, 5/16-18 x 1/2	5	78	1771274	Chute Deflector	1
40	1749281021	Scraper Blade	1	79	1737940	Truss Head Bolt, 10-24	3
41	1728567021	Runner	2	80	1740471001	Gear Case Assembly (See Breakdown page 7)	1
42	1733398	Locknut, 3/8-16	8				
43	1720922	Support Bearing	2	202	1757032	Loctite #242, .02 oz.	NI

NI Item not included with unit. Order separately.

21", 5 H.P. Snowthrower

TRANSMISSION ASSEMBLY — PEERLESS MODEL 700—005

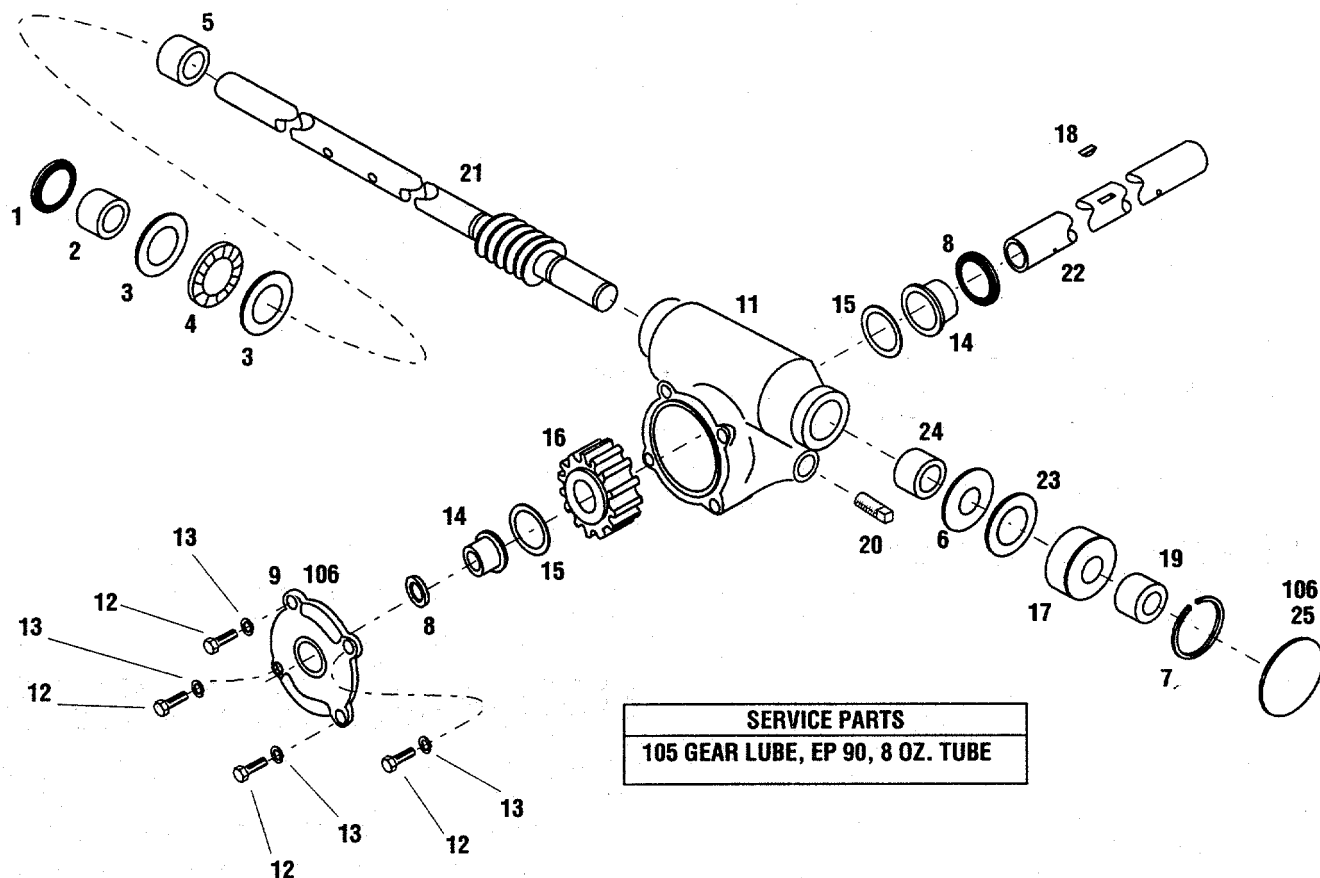


Order parts from your local factory-authorized Peerless/Tecumseh dealer.

Ref. #	Part #	Description	Qty.	Ref. #	Part #	Description	Qty.
1	776061	Case, Transmission	1	27	780105A	Bushing, Flanged.....	4
2	772083	Cover, Transmission	1	28	786062	Chain, Roller (No. 41 Chain, 22 Links)	1
3	776171	Shaft, Output	1	29	780072	Washer, Thrust.....	5
4	778121 A	Gear, Spur (20 Teeth).....	1	30	780086	Bearing, Needle	2
5	786072	Spacer, Keyed	1	31	792072	Ring, Retaining.....	1
6	778124A	Gear, Spur (30 Teeth).....	1	32	792035	Ring, Retaining.....	1
7	778125	Gear, Spur (35 Teeth).....	1	33	780109	Washer	1
9	784266	Collar, Shift	1	34	788040	Ring, Retaining.....	1
10	786060	Sprocket (14 Teeth).....	1	35	784270	Rod & Fork Assembly, Shift	1
11	786061	Sprocket (10 Teeth).....	1	36	792073	Screw, Flanged Hex Head Thread-Forming, 1/4- 20 x 1-1/4	4
12	776134	Shaft, Counter	1	37	792089A	Key	2
13	778137A	Gear, Bevel (42 Teeth).....	1	40	792077	Ball, Steel, 5/16"	1
14	778136	Gear, Spur (15 Teeth).....	1	41	792078	Screw, Set, 3/8-16 x 3/8	1
15	778126A	Gear, Spur (20 Teeth).....	1	42	792079	Spring	1
16	786071	Spacer	1	43	780108	Washer, Thrust.....	3
17	778129A	Gear, Spur (30 Teeth).....	1	44	792001	"O" Ring	1
18	776135	Shaft, Input	1	45	792074	Plug.....	1
19	778113A	Bevel Pinion, Input	1				
20	786047	Sprocket (8 Teeth).....	1				

Model 42028

GEAR CASE ASSEMBLY



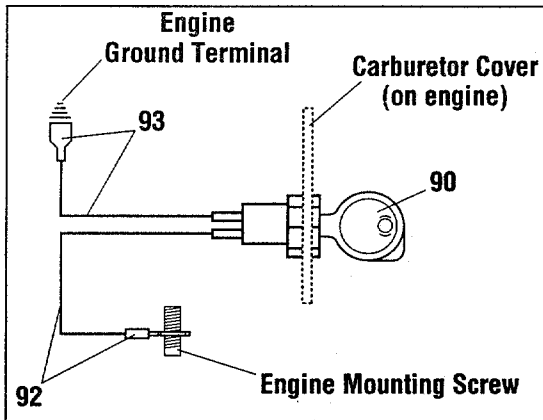
SERVICE PARTS
105 GEAR LUBE, EP 90, 8 OZ. TUBE

Ref. #	Part #	Description	Qty.	Ref. #	Part #	Description	Qty.
1	1185224	Oil Seal	1	15	1185815	Thrust Race	2
2	1185374	Needle Bearing	1	16	1720933	Worm Gear, 20T	1
3	1185841	Thrust Race	2	17	1720763	Spacer	1
4	1185431	Thrust Bearing	1	18	1100276	Woodruff Key, 1/4 x 7/8	1
5	1741774	Spacer	1	19	1185568	Needle Bearing	1
6	1185842	Washer	1	20	1105620	Pipe Plug, 1/4-18	1
7	1118726	Internal Retaining Ring	1	21	1740468	Impeller Shaft	1
8	1773171	Oil Seal	2	22	1740472	Auger Shaft	1
9	1773170001	Gear Case Cover	1	23	1185840	Thrust Race	1
11	1735894001	Gear Case (case only)	1	24	1741775	Spacer	1
12	1741832	Bolt, 1/4-20 x 5/8	4	25	1112634	Welsh Plug	1
13	1100241	Lockwasher, 1/4	4	105	1700187	Gear Lube, EP 90, 8 Oz. Tube	NI
14	1185728	Flange Bearing	2	106	†	Sealant	A/R

NI Item not included with unit. Order separately.
 † Use General Electric SILMATE #RTV 1473 or equivalent.
 A/R As required.

Wiring Diagram

Identification Numbers



See pages 3 & 4 for reference and part numbers and wiring component locations.

Record the model and serial numbers:

When ordering parts from your local servicing dealer, provide the information on the model/serial number decal. For convenience and ready reference, record this information in the spaces below:

Model Number: _____

Serial Number: _____

Date of Delivery: _____

Parts Ordering Information

For service or parts:

For service assistance or to order parts, contact your local authorized dealer.

The local dealer will need to know the identification numbers of the unit to provide the most efficient service. See below for information on how to identify and record the identification numbers for the unit.

For engine service or parts:

For engine service or parts, contact your local authorized engine dealer. Look in the yellow pages of the phone book under "Engines-Gasoline" for the name of your nearest authorized engine dealer. An authorized engine dealer can handle all parts, repairs, and warranty service concerning the engine.

Note:

All Bolens® replacement parts must conform to our rigid quality specifications. Although some replacement parts we provide may vary slightly in shape, color or texture from the original parts, any variations will not affect the fit or performance of these parts on the unit.

For customer assistance, contact your nearest authorized dealer or:

GARDEN WAY INCORPORATED • 1 Garden Way • Troy, New York U.S.A. 12180
Customer Service: 1-800-437-8686 • Technical Service: 1-800-520-5520 • Parts Service: 1-800-648-6776 • FAX: (518) 391-7332
Outside the U.S.A. and Canada:
Customer Service: (518) 391-7007 • Technical Service: (518) 391-7008 • Parts Service: (518) 391-7006 • FAX: (518) 391-7332

WARNING

WE URGE USING ONLY GENUINE REPLACEMENT PARTS, WHICH MEET ALL THE LATEST REQUIREMENTS. REPLACEMENT PARTS MANUFACTURED BY OTHERS COULD PRESENT SAFETY HAZARDS, EVEN THOUGH THEY MAY FIT ON THIS UNIT!

IMPORTANT:

Left and right sides of the unit are determined by standing behind the unit, in the operator's position, and facing the direction of forward travel.

NOTICE:

We reserve the right to change specifications, add improvements or discontinue the manufacture of any of our equipment without notice or obligation to purchasers of our equipment.

Free Manuals Download Website

<http://myh66.com>

<http://usermanuals.us>

<http://www.somanuals.com>

<http://www.4manuals.cc>

<http://www.manual-lib.com>

<http://www.404manual.com>

<http://www.luxmanual.com>

<http://aubethermostatmanual.com>

Golf course search by state

<http://golfingnear.com>

Email search by domain

<http://emailbydomain.com>

Auto manuals search

<http://auto.somanuals.com>

TV manuals search

<http://tv.somanuals.com>