

Bolens[®]

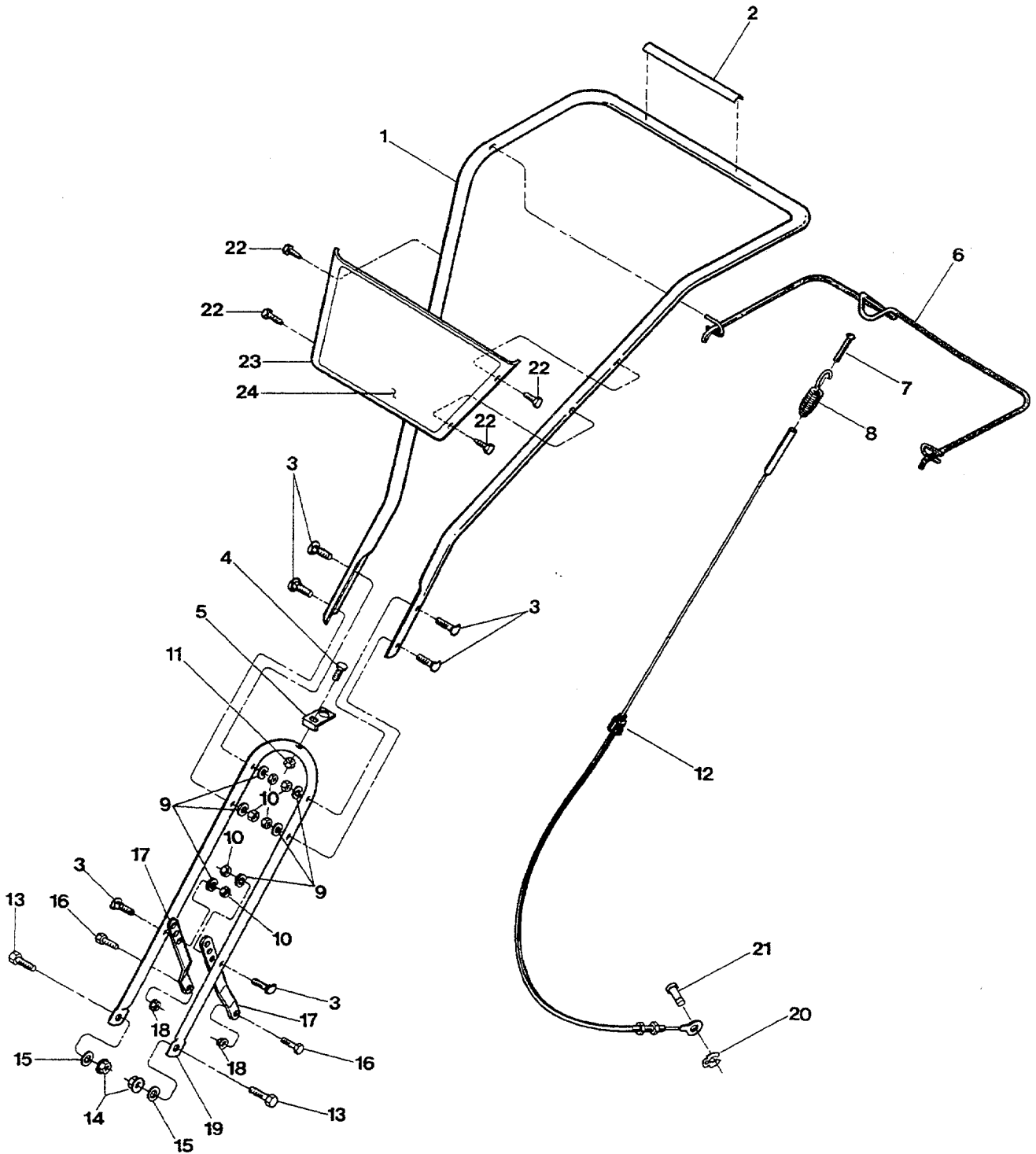
Parts Catalog

TUFFY[®] Tiller

Model _____
12156



HANDLEBARS, FORWARD CLUTCH CABLE, AND HANDLEBAR MOUNTING HARDWARE

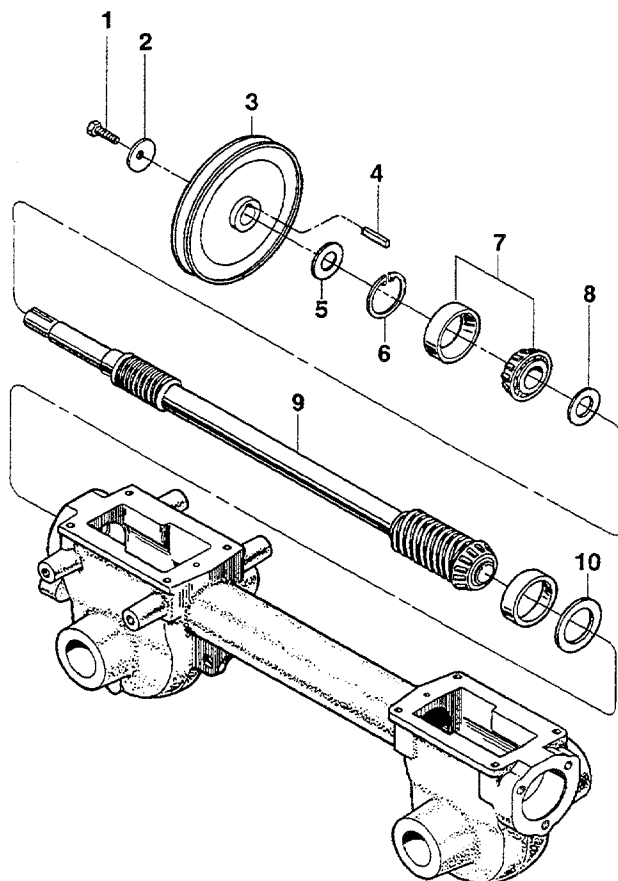


HANDLEBARS, FORWARD CLUTCH CABLE, AND HANDLEBAR MOUNTING HARDWARE

REF No.	PART No.	DESCRIPTION	QTY.
1	1901271	Handlebar, Upper -(incl. Decal 1900765)	1
2	1900765	Decal - Forward Clutch Bail	1
3	9854	Bolt-Curv. Head, 5/16-18 x 1-1/2 ..	6
4	1100806	Bolt-Hex Head 1/4-20 x 1-1/4	1
5	55044	Bracket, Cable.....	1
6	1901355021	Bail - Forward Clutch	1
7	9855	Screw, 10-24 x 2	1
8	55047	Spring-Forward Clutch.....	1
9	9912	Lockwasher-5/16	6
10	9801	Nut-Hex Head, 5/16-18	6
11	9811	Nut-Hex Head, Lock, 1/4-20.....	1
12	55048	Cable Assy-Forward Clutch.....	1
13	1100068	Bolt-Hex Head, 3/8-16 x 3/4.....	2

REF No.	PART No.	DESCRIPTION	QTY.
14	9837	Locknut-Hex, 3/8-16	2
15	9904	Washer-Flat, 3/8.....	2
16	1100044	Bolt-Hex Head, 5/16-18 x 3/4.....	2
17	1902173021	Support, Handlebar	2
18	9808	Locknut-Hex, 5/16-18	2
19	1902174021	Handlebar, Lower.....	1
20	9386	Klip Ring.....	1
21	9856	Clevis Pin.....	1
22	9552	Screw-1/4-20 x 1/2 Self-Tapping Hex Head.....	4
23	1901273021	Graphics Panel	1
24	1901180	Decal-Bolens Tuffy (model name & logo).....	1

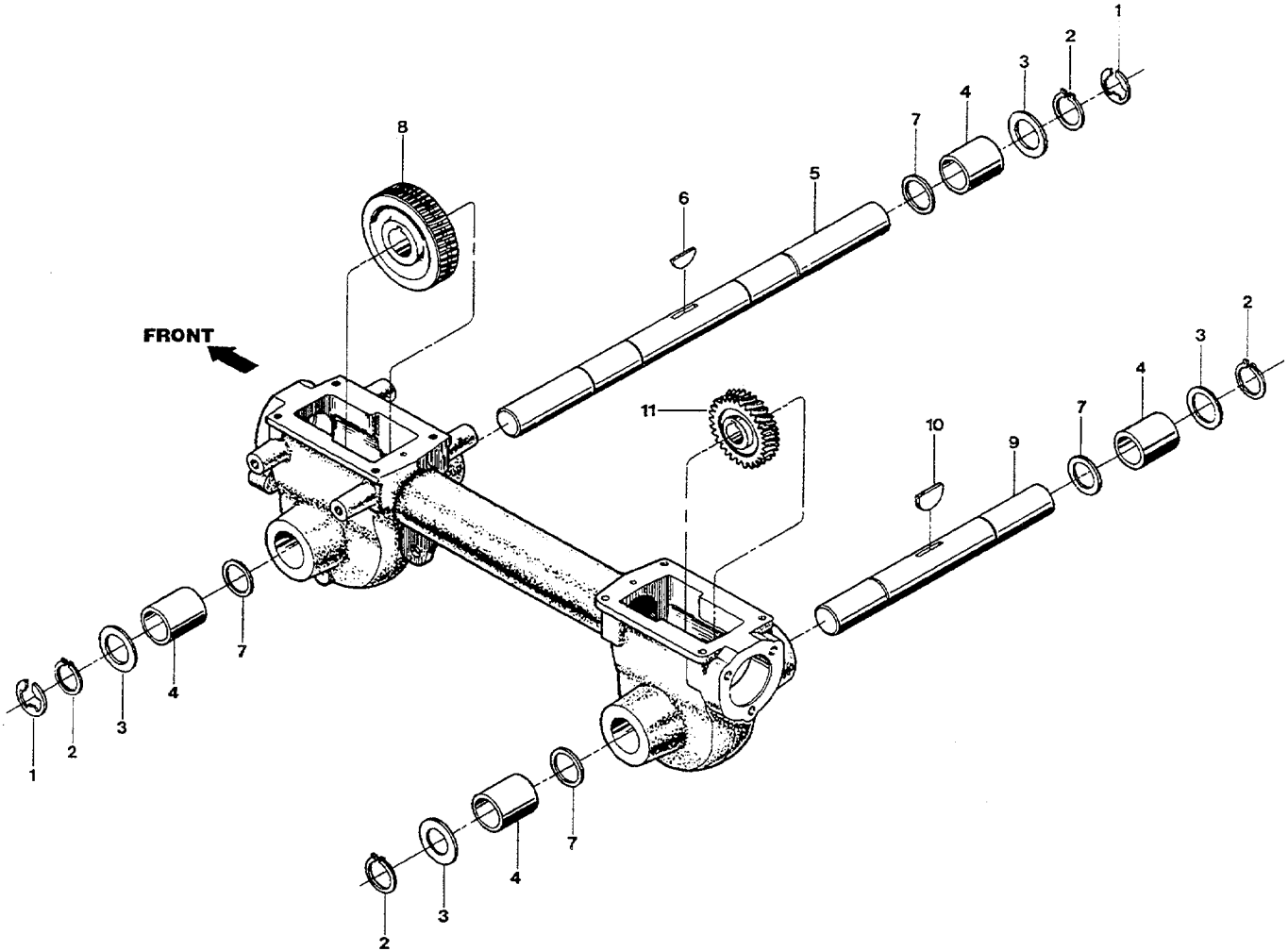
DRIVE SHAFT ASSEMBLY



REF No.	PART No.	DESCRIPTION	QTY.
1	9655	Bolt-Hex Head, 5/16-24 x 3/4, Grade 5.....	1
2	9944	Washer-Belleville	1
3	55031	Pulley-Transmission	1
4	9301	Key-Transmission Pulley, 3/16 x 1 ..	1
5	50027	Support Washer-Front.....	1
6	9517	Snap Ring	1
7	1714	Bearing-Tapered Roller with race..	2
8	50043	Support Washer-Rear.....	1
9	1904281	Driveshaft Assembly	1
10	1224-1	Shim-Rear Bearing Cap, .010 thick	A/R
	1224-2	Shim-Same as above except .030 thick.....	A/R
	1224-3	Shim-Same as above except .005 thick.....	A/R
	1224-4	Shim-Same as above except .062 thick.....	A/R
	1325C	Shim Set-Includes the following shims: two #1224-1, two 1224-2, one 1224-3, and one #1224-4 ...	A/R

A/R - As Required

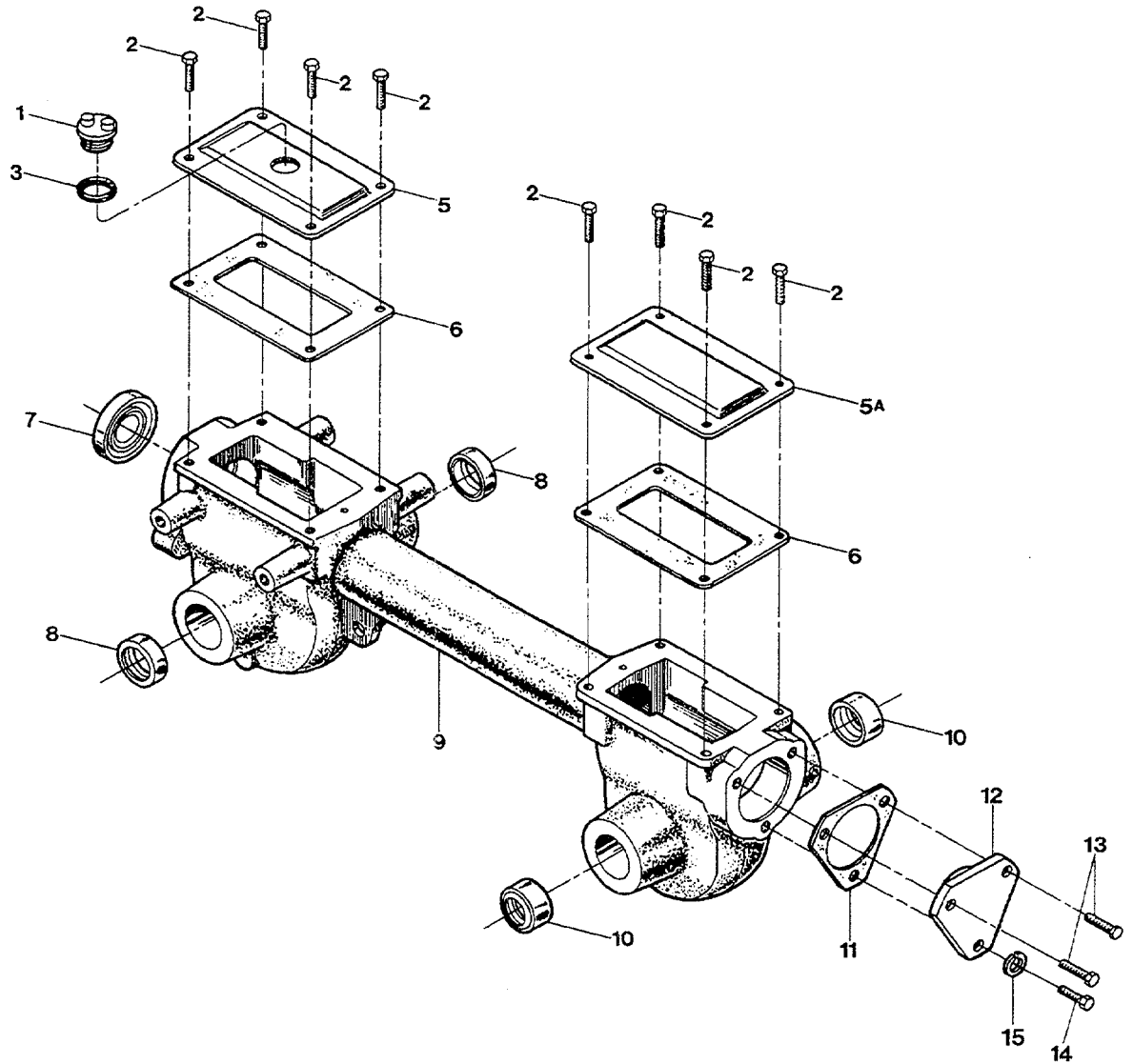
WHEEL SHAFT & TILLER SHAFT ASSEMBLIES



REF No.	PART No.	DESCRIPTION	QTY.	REF No.	PART No.	DESCRIPTION	QTY.
1	9512	Retainer-Snap Ring, "E" Type	2	5	55004	Wheel Shaft.....	1
2	9511	Retainer-Snap Ring.....	4	6	9305	Key-Wheel Shaft, Hi Pro, 1/4 x 1	1
3	1166-1	Shim-0.062" Thick.....	A/R	7	1132-2	Spacer	4
	1166-2	Shim-0.030" Thick.....	A/R	8	1904278	Worm Gear-Wheel Shaft.....	1
	1166-3	Shim-0.015" Thick.....	A/R	9	1915074	Tiller Shaft.....	1
	1166-4	Shim-0.010" Thick.....	A/R	10	1104	Woodruff Key-Tiller Shaft.....	1
	1166-5	Shim-0.005" Thick.....	A/R	11	1904279	Worm Gear-Tiller Shaft.....	1
4	1086	Bushing-Bronze	4				

A/R - As Required

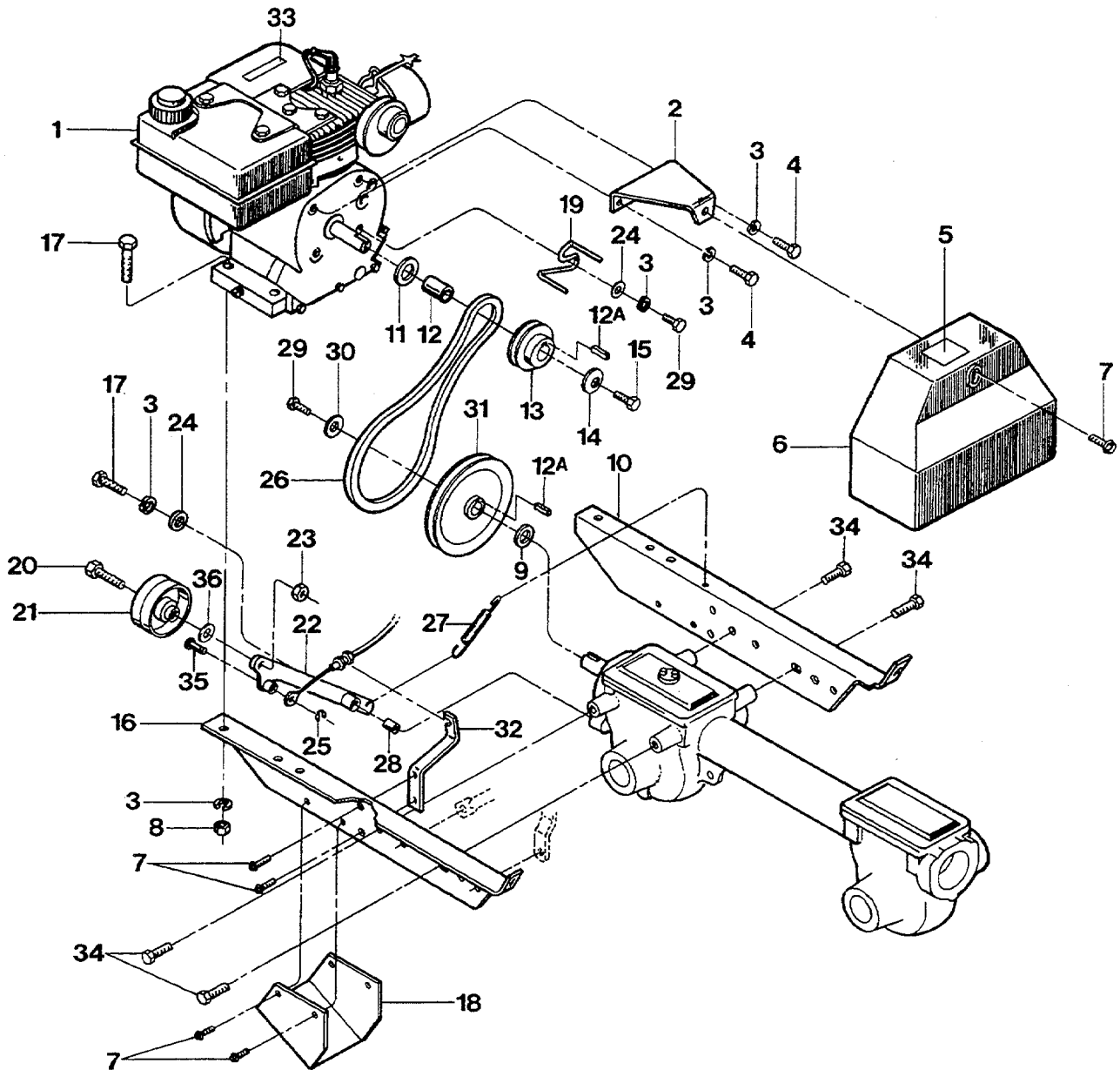
TRANSMISSION HOUSING, COVERS, SEALS, GASKETS, AND PLUG



REF No.	PART No.	DESCRIPTION	QTY.
1	9467	Plug-Transmission Oil Fill/Check..	1
2	90038	Bolt-Hex Head, Flange Lock, 5/16-18 x 5/8, GR5	8
3	97037	Gasket-Transmission Oil Fill/Check Plug	1
5	1902185021	Cover-Transmission Housing Front.....	1
5A	1902186021	Cover-Transmission Housing, Rear	1
6	50032	Gasket-Transmission Housing Cover (Front and Rear).....	2
7	9617	Oil Seal-Driveshaft.....	1

REF No.	PART No.	DESCRIPTION	QTY.
8	9621	Oil Seal-Wheelshaft	2
9	1915084021	Transmission Case, Rear Housing and Tube Assembly	1
10	97039	Oil Seal-Tine Shaft	2
11	55011-1	Gasket-Bearing Cap (.010 thick) ..	1
	55011-2	Gasket-Bearing Cap (.030 thick)...	1
12	55010	Cap-Rear Bearing	1
13	1186631	Bolt-Flanged Head, 5/16-18 x 1 ...	2
14	1100044	Bolt-Flanged Head, 5/16-18 x 3/4.	1
15	1100242	Lockwasher, 5/16"	1

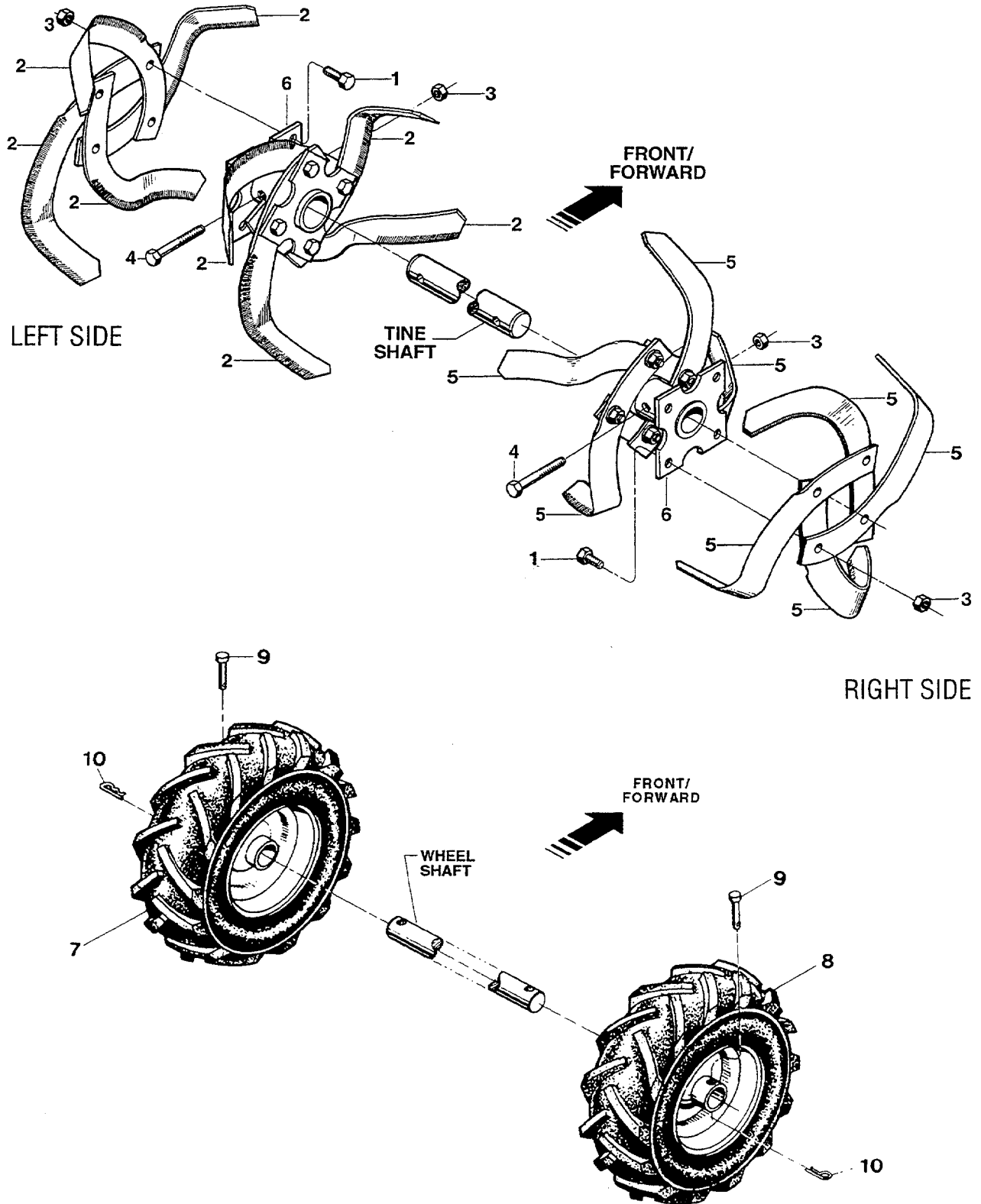
ENGINE, ENGINE BRACKETS, AND FORWARD DRIVE MECHANISM



ENGINE, ENGINE BRACKETS, AND FORWARD DRIVE MECHANISM

REF No.	PART No.	DESCRIPTION	QTY.	REF No.	PART No.	DESCRIPTION	QTY.
1	****	Engine-Tecumseh, recoil start	1	19	1902194021	Belt Guide	1
2	1902179021	Bracket, Belt Cover.....	1	20	9558	Bolt-Hex Head, 3/8-16 x 1-1/2.....	1
3	9912	Lockwasher-5/16.....	8	21	9090	Idler Pulley.....	1
4	1111696	Bolt-Hex Head, 5/16-24 x 1/2	2	22	55078	Idler Lever.....	1
5	1904549	Decal-Warning, Hot Surfaces	1	23	9807	Locknut - 3/8-16	1
6	55086	Belt Cover-(includes decal 1904549).....	1	24	9902	Flat Washer	2
7	9552	Bolt-Flanged Head, Self-Tapping, 1/4-20 x 1/2.....	7	25	9386	Klip Ring	1
8	9801	Nut-Hex, 5/16-18.....	4	26	55037	V-Belt.....	1
9	50027	Support Washer	1	27	55034	Spring, Return	1
10	1902180021	Bracket, Engine Right.....	1	28	55033	Bushing-Idler Lever.....	1
11	1138-2	Shim	A/R	29	9655	Bolt-Hex Head, 5/16-24 x 3/4, Grade 5.....	2
12	55036	Spacer.....	1	30	9944	Washer, Belleville, Transmission Pulley.....	1
12A	9301	Key-3/16 x 1	2	31	55031	Pulley-Transmission.....	1
13	55035	Pulley, Engine Driven	1	32	1902183021	Bracket-Cable Mount.....	1
14	9925	Washer, Belleville	1	33	1900766	Decal-Stabilization	1
15	9549	Bolt-Hex Head, 3/8-24 x 1	1	34	90038	Bolt-5/16-18 x 5/8, Engine Bracket to Transmission	4
16	1902181021	Bracket, Engine, Left.....	1	35	9856	Clevis Pin-Control Cable.....	1
17	1100799	Bolt-Hex Head, 5/16-18 x 1-1/2....	5	36	9904	Flat Washer, 3/8"	1
18	1902182021	Beit Pulley Guard	1				

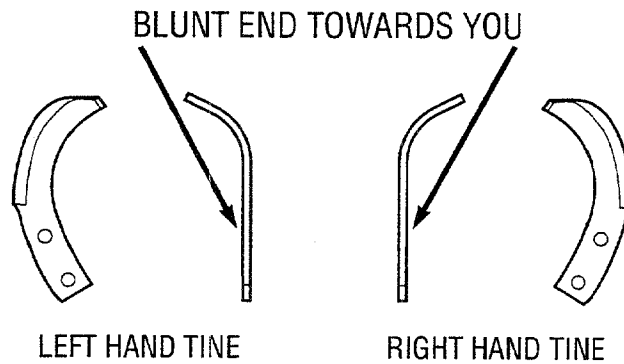
BOLO TINES, WHEELS



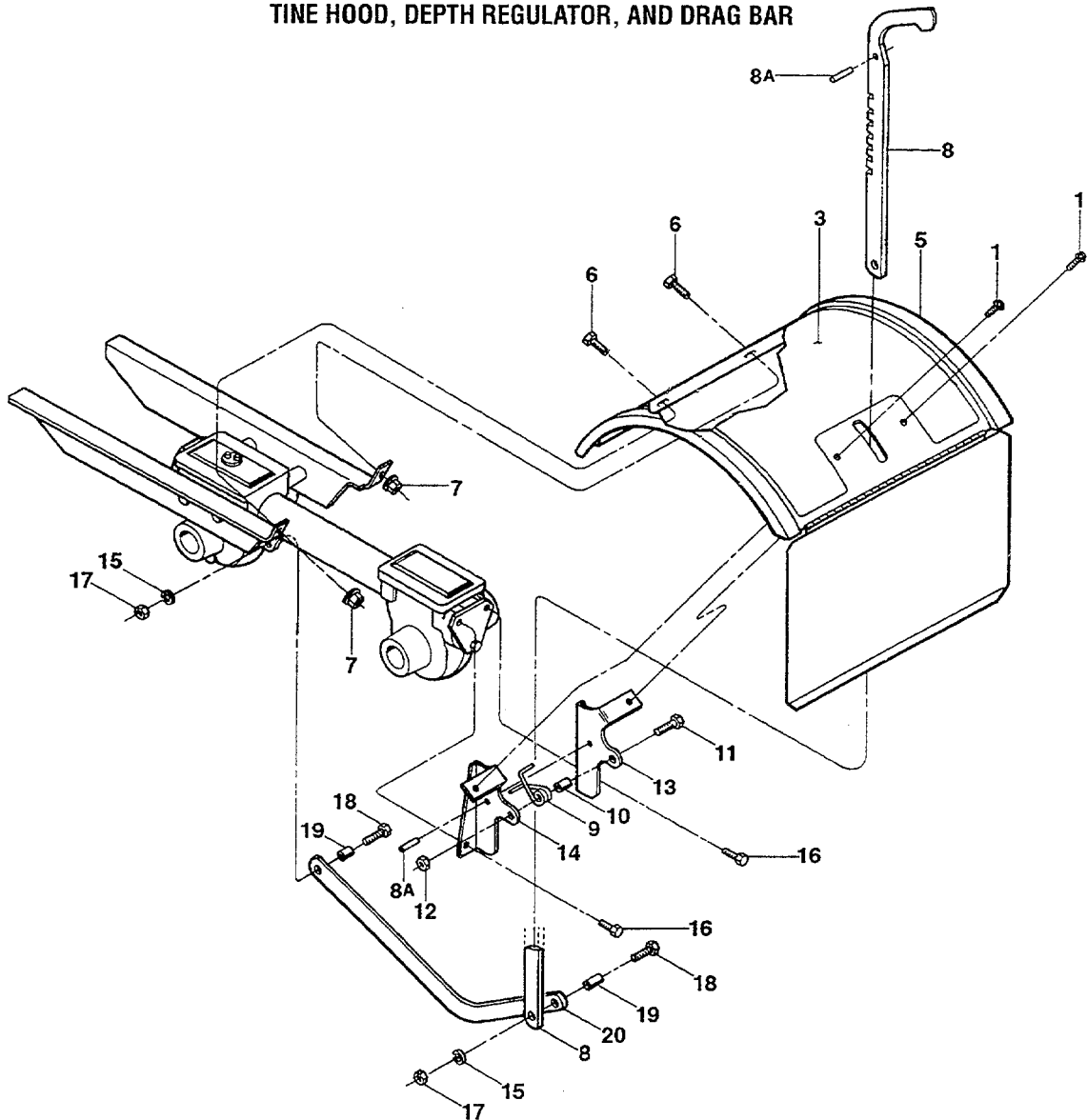
BOLO TINES, WHEELS

REF No.	PART No.	DESCRIPTION	QTY.	REF No.	PART No.	DESCRIPTION	QTY.
1	9711	Bolt–Hex Head, 3/8-16 x 1, Grade 5, Tine Mounting	16	6	1915075021	Tine Holder–for bolo tines, left and right sides.....	2
2	50049-01	Bolo Tine–Single, Right Hand tine used on left side of tiller. Includes mounting hardware: two #9711 bolts (Ref No.1), and two #1733398 locknuts.....	8	1901	Replacement Set of 16 Bolo Tines– including eight right hand tines, eight left hand tines; and all required assembly hardware	1	
3	1733398	Locknut–Hex, 3/8-16	18	7	55095-01	Wheel & Tire Ass’y–Left Side	1
4	9555	Bolt–Hex Head, 3/8-16 x 1-3/4 (tine holder to tiller shaft)	2	8	55095-02	Wheel & Tire Ass’y–Right Side	1
5	50049-02	Bolo Tine–Single, Left Hand tine used on right side of tiller. Includes mounting hardware: two #9711 bolts (Ref No. 1), and two #1733398 locknuts.....	8	9	9380	Clevis Pin–.312 x 1-3/4, secures wheel hub to wheel shaft	2
				10	9338	Hair Pin Cotter	2

IMPORTANT: Left and right sides of tiller are determined by standing in the operator position and facing the direction of forward travel.



TINE HOOD, DEPTH REGULATOR, AND DRAG BAR



REF No.	PART No.	DESCRIPTION	QTY.
1	9552	Bolt-Flanged Head, Self-Tapping, 1/4-20 x 1/2.....	2
2	-----	Index No. 2 is not used	
3	1901179	Decal-Hood (contains operating... and safety instructions)	1
4	-----	Index No. 4 is not used	
5	1901269	Tine Hood-(includes tine flap..... and decal 1901179).....	1
6	1100088	Bolt-Hex Head, 5/16-18 x 1/2.....	2
7	1186391	Nut-Flange Lock, 5/16-18.....	2
8	1902175021	Depth Regulator Lever	1
8A	9308	Spirol Pin	2

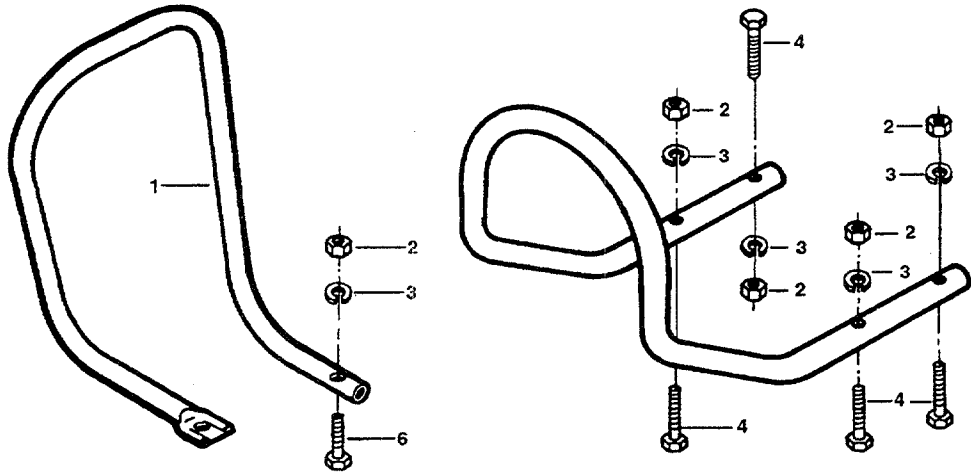
REF No.	PART No.	DESCRIPTION	QTY.
9	9384	Spring-Depth Regulator	1
10	9534	Spacer	1
11	1100069	Bolt-Hex Head, 1/4-20 x 1	1
12	9811	Locknut-Hex, 1/4-20	1
13	1902176021	Bracket-Hood, Right Hand.....	1
14	1902177021	Bracket-Hood, Left Hand	1
15	9912	Lockwasher, 5/16	2
16	90045	Bolt-Flanged Head, 5/16-18 x 1 ...	2
17	9801	Nut-Hex, 5/16-18.....	2
18	1100808	Bolt-Hex Head, 5/16-18 x 1-1/4....	2
19	55088	Bushing-Drag Bar	2
20	1902178021	Drag Bar.....	1

ACCESSORIES

BUMPER & CARBURETOR GUARD ATTACHMENT (Part No. 12558)
(Viewed from front of tiller)

REF No.	PART No.	DESCRIPTION	QTY.
1	12560	Carburetor Guard.....	1
2	9801	Nut-Hex Head, 5/16-18.....	5
3	9912	Lockwasher-5/16.....	5

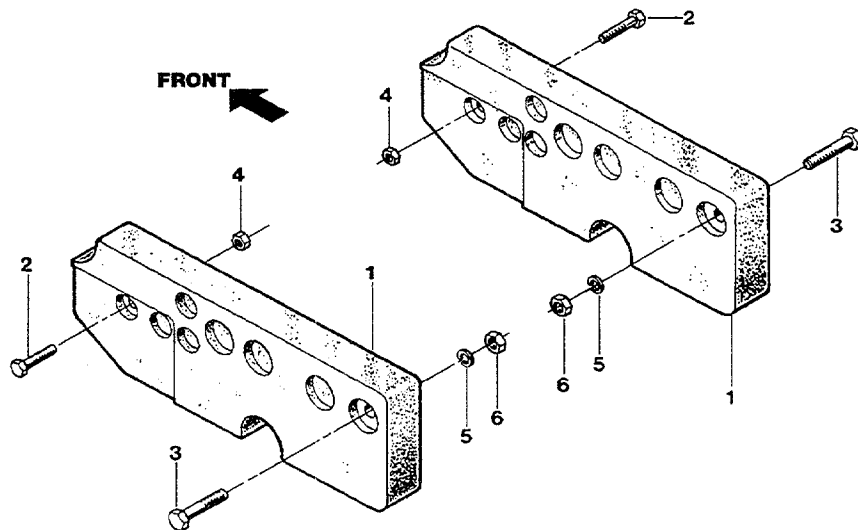
REF No.	PART No.	DESCRIPTION	QTY.
4	1111608	Bolt-Hex Head, 5/16-18 x 2-1/2..	4
5	12561	Bumper.....	1
6	1100799	Bolt-Hex Head, 5/16-18 x 1-1/2..	1



FRAME WEIGHT KIT (Part No. 55067)

REF No.	PART No.	DESCRIPTION	QTY.
1	55066P	Frame Weight.....	2
2	1100806	Bolt-Hex Head, 1/4-20 x 1-1/4....	2
3	1100799	Bolt-Hex Head, 5/16-18 x 1-1/2..	2

REF No.	PART No.	DESCRIPTION	QTY.
4	9800	Nut-1/4-20.....	2
5	9912	Lockwasher-5/16.....	2
6	9801	Nut-5/16-18.....	2



Parts Ordering Information

If you need service or parts:

For service assistance or parts, contact your local authorized dealer or the factory.

Your local dealer or service department will need to know the model/serial numbers of the unit to provide the most efficient service. See below for information on how to identify and record the identification numbers for the unit.

If you need engine service or parts:

For engine service or parts, contact your local authorized engine dealer. Look in the yellow pages of the phone book under "Engines-Gasoline" for the name of your nearest authorized engine dealer. An authorized engine dealer can handle all parts, repairs, and warranty service concerning the engine.

Note:

All BOLENS® replacement parts must conform to our rigid quality specifications. Although some replacement parts we provide may vary slightly in shape, color or texture from the original parts, any variations will not affect the fit or performance of these parts on your unit.

IMPORTANT:

Left and right sides of the unit are determined by standing behind the unit, in the operator's position, and facing in the direction of forward travel.

NOTICE:

We reserve the right to change specifications, add improvements or discontinue the manufacture of any of our equipment without notice or obligation to purchasers of our equipment.



WARNING

We urge using only genuine replacement parts which meet all the latest requirements. Replacement parts manufactured by others could present safety hazards, even though they may fit on the unit!

Identification Numbers

Record the Model/Serial Numbers here:

When ordering parts from us or your local servicing dealer, you will need to provide the unit's model/serial number. For your convenience and ready reference, record this information below.

Product Model/Serial Number _____

Engine Model / Serial Spec. Numbers _____

Date of Purchase _____

Name of Dealer _____

For customer assistance, contact your nearest authorized dealer or:

GARDEN WAY INCORPORATED • 1 Garden Way • Troy, New York 12180

Customer Service: 1-800-437-8686 • Technical Service: 1-800-520-5520 • Parts Service: 1-800-648-6776 • FAX: (518) 391-7332

Outside the United States and Canada:

Customer Service: (518) 391-7007 • Technical Service: (518) 391-7008 • Parts Service: (518) 391-7006 • FAX (518) 391-7332

Free Manuals Download Website

<http://myh66.com>

<http://usermanuals.us>

<http://www.somanuals.com>

<http://www.4manuals.cc>

<http://www.manual-lib.com>

<http://www.404manual.com>

<http://www.luxmanual.com>

<http://aubethermostatmanual.com>

Golf course search by state

<http://golfingnear.com>

Email search by domain

<http://emailbydomain.com>

Auto manuals search

<http://auto.somanuals.com>

TV manuals search

<http://tv.somanuals.com>