

Bolens[®]

SAFETY FIRST!

Before operating this equipment, read this Owner's Manual and the separate manual supplied by the engine manufacturer.

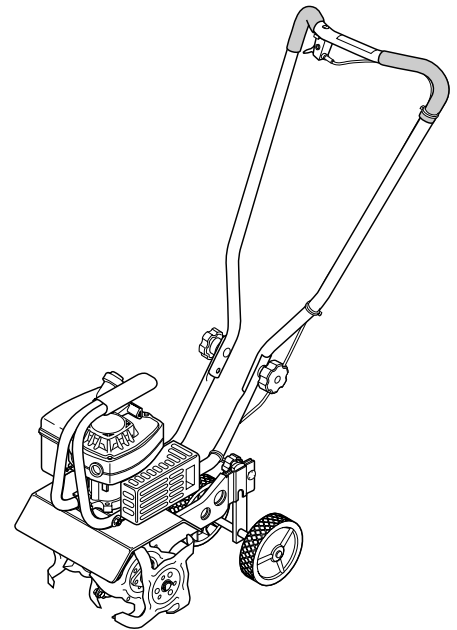
Model

12207

OWNER'S MANUAL

Tiller/Edger

- **Safety**
- **Assembly**
- **Operation**
- **Maintenance/Service**
- **Parts List**



GARDEN WAY INCORPORATED

SAFETY RULES



CAUTION: ALWAYS DISCONNECT SPARK PLUG WIRE AND PLACE WIRE WHERE IT CANNOT CONTACT SPARK PLUG TO PREVENT ACCIDENTAL STARTING WHEN SETTING UP, TRANSPORTING, ADJUSTING OR MAKING REPAIRS.



TRAINING

- Read this Owner's Manual and the separate Engine Owner's Manual very carefully before operating this equipment. Be completely familiar with the controls and the proper use of the equipment. Know how to stop the unit and disengage the controls quickly. A replacement Manual is available by contacting your authorized dealer or the Factory.
- Never allow children or untrained adults to use this equipment. Let adults operate the unit only if instructed properly.
- Keep the area of operation clear of all persons, particularly small children and pets. Keep bystanders at least 25 feet from the area of operation.
- Keep in mind that the operator or user is responsible for accidents or hazards occurring to other people, their property and themselves.
- Familiarize yourself with all of the safety and operating decals on this equipment and on any of its attachments or accessories.
- Do not run engine in an enclosed area. Engine exhaust contains carbon monoxide gas, a deadly poison that is odorless, colorless, and tasteless. Do not operate this equipment near buildings, windows, or air conditioning equipment.
- Do not allow hands or any other part of the body or clothing near the rotating tines or near any other moving part. The tines begin to rotate forward once the engine is started and the throttle control lever is squeezed. The tines continue to rotate until the operator releases the throttle control lever.
- Before inspecting or servicing any part of the equipment, shut off engine, make sure all moving parts have come to a complete stop, then disconnect spark plug wire from spark plug and move wire away from the plug.
- Do not operate this equipment if you are under the influence of alcohol, medication, or when you are tired or ill.

PREPARATION

- Thoroughly inspect the area where the equipment is to be used and remove all foreign objects.
- Make sure that the throttle control lever is disengaged and is in the neutral position before you begin to start the engine.
- Do not operate the machine without wearing adequate outer garments. Avoid loose garments or jewelry that could get caught in moving parts of the machine or its engine.
- Do not operate the equipment when barefoot or when wearing sandals, sneakers, or similar lightweight footwear. Wear protective footwear that will protect your feet and improve footing on all surfaces.

- Wear approved safety glasses when operating this equipment. The operation of any powered machine can result in foreign objects being thrown by high-speed rotating parts.
- Do not till near underground electric cables, telephone lines, pipes, or hoses. If in doubt, contact your utility or telephone company to locate underground services.
- Handle fuel with care. It is highly flammable and has explosive vapors. Take these precautions:
 - a. Use an approved fuel container.
 - b. Add fuel before starting the engine. Never remove the cap of the fuel tank or add fuel while the engine is running or when the engine is hot. Operators shall not smoke.
 - c. Keep matches, cigarettes, cigars, pipes, open flames, and sparks away from the fuel tank and fuel container.
 - d. Fill fuel tank outdoors and with extreme caution. Never fill fuel tank when indoors. Use a funnel or spout to prevent spillage.
 - e. Replace all fuel tank and fuel container caps securely.
 - f. If fuel is spilled, do not attempt to start the engine, but move the machine away from the area of spillage and avoid creating any source of ignition until fuel vapors have dissipated.
- Never make adjustments to your equipment when the engine is running or spark plug wire is connected (unless specifically recommended in Owner's Manual).

OPERATION

- The correct operator's position is when you are standing behind the handlebars, hands on handlebar grips, facing forward toward the engine. Do not leave this position while using the engine throttle lever.
- Do not put hands or feet near or under rotating parts.
- Exercise extreme caution when on or crossing gravel drives, walks or roads. Stay alert for hidden hazards or traffic. Do not carry passengers.
- After striking a foreign object, stop the engine, let all moving parts come to a complete stop, disconnect the spark plug wire and prevent it from touching the spark plug, then carefully inspect the machine for damage. Repair the damage before restarting and operating the machine.
- Exercise caution to avoid slipping or falling.
- If the machine should start to vibrate abnormally, stop the engine. Disconnect the spark plug wire and prevent it from touching the plug. Check immediately for the cause. Vibration is generally a warning of trouble. Fix the problem before using the equipment again.



LOOK FOR THIS SYMBOL TO POINT OUT IMPORTANT SAFETY PRECAUTIONS. IT MEANS— ATTENTION!!! BECOME ALERT!!! YOUR SAFETY IS INVOLVED.

SAFETY RULES

- Stop the engine, disconnect the spark plug wire and prevent it from touching the spark plug whenever you leave the equipment, before unclogging the tines, or when making any repairs, adjustments or inspections.
- Take all possible precautions when leaving the machine unattended. Always stop the engine. Disconnect the spark plug wire and prevent it from touching the plug.
- Before cleaning, repairing, or inspecting, stop the engine and make certain all moving parts have stopped. Disconnect the spark plug wire and prevent it from touching the spark plug to avoid accidental starting.
- Never operate equipment without proper guards, plates, or other protective safety devices in place.
- Do not run the engine in an enclosed area. The exhaust fumes from the engine contain extremely dangerous carbon monoxide gas. This gas is colorless, odorless, tasteless and deadly poisonous.
- Keep children and pets away.
- Be aware that the equipment may unexpectedly bounce upward or jump forward if the tines should strike extremely hard packed soil, frozen ground, or buried obstacles such as large stones, roots or stumps. If you are in doubt about the tilling conditions, always use the following operating precautions to assist you in maintaining control of the equipment:
 - a. Stand behind the equipment, using both hands on the handlebars. Relax your arms, but use a secure hand grip.
 - b. Start tilling at shallow depths, working gradually deeper with each pass.
 - c. Clear the tilling area of all large stones, roots, and other debris.
 - d. In an emergency, stop the tines by releasing the engine throttle lever on the handlebar. To stop the engine, move the engine On-Off switch to OFF.
- Do not overload the machine's capacity by attempting to till too deeply at too fast a rate.
- Never operate the equipment on slippery surfaces. Look behind and use care when backing up.
- Do not operate the equipment on a slope that is too steep for safety. When on slopes, slow down and make sure you have good footing.
- Never allow bystanders near the unit.
- Only use attachments and accessories that are factory-approved.
- Never operate the equipment without good visibility or good light.
- Never operate the unit if you are tired, or under the influence of alcohol, drugs, or medication.
- Do not tamper with the engine governor settings on the machine; the governor controls the maximum safe operating speed and protects the engine and all other moving parts from damage caused by engine overspeed. Authorized service shall be sought if a problem exists.
- Do not touch engine parts which may be hot from operation. Allow parts to cool before inspecting, cleaning or repairing.
- Remember: you can stop the tines by releasing the engine throttle lever. Move the engine On-Off switch to OFF to shut the engine off.
- Never transport this machine when the engine is running.
- Terminals and non-insulated electrical parts shall be protected against shorting during normal servicing, refueling or lubrication.
- Use extreme caution when reversing or pulling the machine toward you.
- Start the engine carefully according to instructions and with feet well away from the tines.

MAINTENANCE/STORAGE

- Keep the tiller, attachments and accessories in safe working condition.
- Check all nuts, bolts, and screws at frequent intervals for proper tightness to be sure equipment is in safe working condition.
- Never store equipment with fuel in fuel tank inside a building where fumes may reach an open flame or spark (hot water and space heaters, furnaces, clothes dryers, stoves, electric motors, etc.).
- Allow the engine to cool before storing the equipment.
- Keep the engine free of grass, leaves, or grease to reduce the chance of a fire hazard.
- Store gasoline in a cool, well-ventilated area, safely away from any spark- or flame-producing equipment. Store gasoline in an approved container, safely away from the reach of children.
- Never perform maintenance when engine is running or spark plug wire is connected unless instructed to do so.
- If fuel tank must be drained, do so outdoors.
- Follow manufacturer's recommendations for safe loading, unloading, transport and storage of machine.



WARNING:

The engine exhaust from this product contains chemicals known to the State of California to cause cancer, birth defects, or other reproductive harm.

WARNING

TO AVOID INJURY:

- READ THE OPERATOR'S MANUAL.
- KNOW LOCATION AND FUNCTION OF ALL CONTROLS.
- KEEP ALL SAFETY DEVICES AND SHIELDS IN PLACE AND WORKING.
- NEVER ALLOW CHILDREN OR UNINSTRUCTED ADULTS TO OPERATE MACHINE.
- SHUT OFF ENGINE AND DISCONNECT SPARK PLUG WIRE BEFORE MANUALLY UNCLOGGING TINES OR MAKING REPAIRS.
- KEEP BYSTANDERS AWAY FROM MACHINE.
- KEEP AWAY FROM ROTATING PARTS.
- USE EXTREME CAUTION WHEN REVERSING OR PULLING THE MACHINE TOWARDS YOU.

See Back Cover for Customer Service Information

WARNING: This machine is equipped with an internal combustion engine and should not be used on or near any unimproved forest-covered, brush-covered or grass-covered land unless the engine's exhaust system is equipped with a spark arrester muffler meeting applicable local or state laws (if any). If a spark arrester muffler is used, it should be maintained in effective working order by the operator.

In the state of California the above is required by law (Section 4442 of the California Public Resources Code). Other states may have similar laws. Federal laws apply on federal lands. This engine is not equipped with a spark arrester for the muffler. A spark arrester for the muffler is available through your nearest authorized Engine Dealer.

This machine meets voluntary safety standard B71.8 – 1996, which is sponsored by the Outdoor Power Equipment Institute, Inc., and is published by the American National Standards Institute.

CONGRATULATIONS on your purchase of a Tiller/Edger with Edger Attachment. It has been designed, engineered and manufactured to give you the best possible dependability and performance.

Should you experience any problems you cannot easily remedy, please contact your nearest authorized dealer or the Factory.

Please read and retain this Manual. The instructions will help you assemble and maintain your machine properly. Always observe the "SAFETY RULES."

Product Specifications

HORSEPOWER:	2 HP
DISPLACEMENT:	3.0 CU. IN.
FUEL CAPACITY: (24:1 gasoline to 2-cycle oil mixture)	20 ozs.
SPARK PLUG (GAP 0.030-in.):	Champion RCJ-6Y* or equivalent
IGNITION	Electronic
NET ENGINE WEIGHT	7.5 LBS.

* Always replace spark plug with a resistor plug.

TABLE OF CONTENTS

SAFETY RULES.....	2
PRODUCT SPECIFICATIONS.....	4
ACCESSORIES AND ATTACHMENTS	5
ASSEMBLY	6
OPERATION	9
MAINTENANCE/SERVICE	13
STORAGE	15
TROUBLESHOOTING	16
DECALS	16
REPAIR PARTS - TRANSMISSION.....	17
REPAIR PARTS - GENERAL ASSEMBLY	18

INDEX

Accessories and Attachments	5
Aerator Attachment	5
Air Cleaner	14
Assembly	6
Borders	8, 12
Border/Edger Attachment	6, 8
Carburetor	14
Cleaning	15
Control Lever, Engine Throttle	9
Cultivating	11

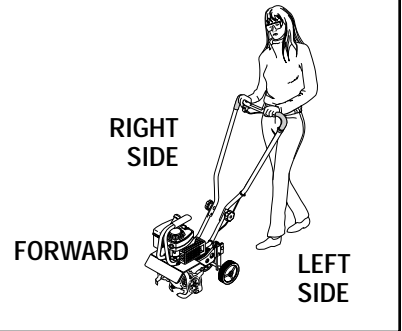
INDEX (CONTINUED)

Decals	16
Edging	12
Engine	
Air Filter	14
Carburetor	14
Cleaning	14
Engine On-Off Switch	9,10
Fuel Mixture	7
Fuel Primer Bulb	10
Operation	9
Recoil Start Rope	9
Spark Plug	14
Speed	9
Starting Engine	10
Stopping Engine	10
Storage	15
Throttle Lever	9
Features/Controls	9
Fuel Mixture	7
Fuel Primer Bulb	10
Gasoline/ Two-Cycle Oil	7
Handlebar Height Adjustment	7, 9
Hardware	7
Lubrication	13
Maintenance	13
Oil/Gasoline Mixture	7
Off-Season Storage	15
Operation	9
Parts List	17-19
Power Lawn Rake	5
Preparation	10
Product Specifications	4
Recoil Starter Rope	9
Repair Parts	17-19
Safety Rules	2-3
Safety Decals	16
Service Recommendation Checklist	13
Spark Plug	14
Starter Rope	9
Storage	15
Tilling	11
Tilling Depth Adjustment	10
Tilling Widths	12
Tine Removal	14
Tips/Techniques	12
Troubleshooting	16
Unpacking	6

W, X, Y, Z

OPERATOR'S POSITION

References to LEFT and RIGHT sides of the tiller are given from the operator's position behind the handlebars (unless noted otherwise).

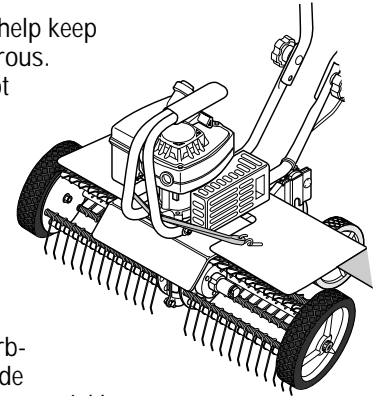


ACCESSORIES/ATTACHMENTS

The following accessories and attachments are available where the Tiller/Edger was purchased. See your authorized dealer or contact the Factory for details.

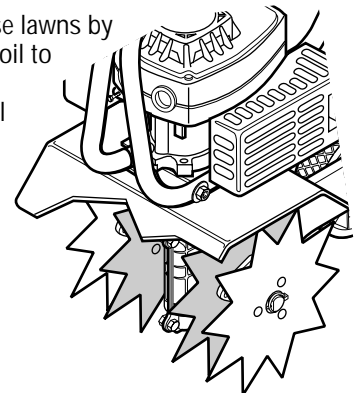
Power Lawn Rake Attachment – Model 12575

The Power Lawn Rake will help keep your lawn healthy and vigorous. Matted grass and debris not only looks unattractive, but stifles lawn growth and overall health. This attachment mounts without tools and features dozens of tempered steel "fingers" that spring off the surface to penetrate and loosen matted grass without disturbing root growth. An 18"-wide swath covers a large lawn area quickly.



Lawn Aerator Attachment – Model 12574

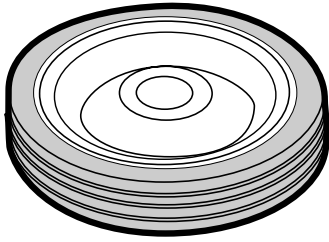
Helps promote healthy, dense lawns by aerating and loosening the soil to contribute to better root growth. Four tempered steel tines puncture the surface of the lawn, letting nutrients more easily reach the roots. Assembles without tools. When mounted, it takes the place of the standard tine sections.



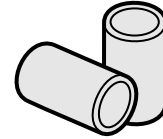
CONTENTS OF HARDWARE PACK

Parts bag contents (not shown full size)

(1) Border/Edger Wheel

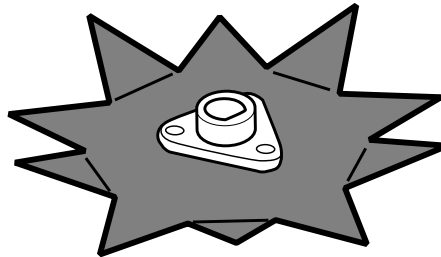


(1) Short Bushing
for Border/Edger



(2) Bushings for Narrow Width Tilling

Parts packed separately in carton (not shown full size)



(1) Border/Edger Tine

ASSEMBLY

Read these instructions in their entirety before you attempt to assemble or operate your new equipment.

The Border Edger Attachment does not need to be installed until you are ready to do edging projects (refer to instructions in this Section).

To ensure safe and proper operation of your machine, all parts and hardware you install or adjust must be tightened securely. Use the correct tools to ensure proper tightness.

IMPORTANT: The correct mixture of unleaded automotive gasoline and two-cycle motor oil (a 24:1 ratio of gasoline to two-cycle oil) must be added to the fuel tank before starting the engine. See instructions in this Section.

UNPACKING INSTRUCTIONS

- Inspect your machine immediately. If you find or suspect damage to the carton or contents, contact your local authorized dealer or the Factory for assistance.
- Remove any packing material. Check for small parts before discarding the packing material or carton.

- Perform the assembly on a clean, level surface. Be careful not to severely bend any of the control cables on the unit.

- **Before starting any assembly steps, disconnect the engine spark plug wire from the spark plug.**

TOOLS NEEDED FOR ASSEMBLY: An adjustable wrench and a slotted-head and a Phillips-head screwdriver may be needed to tighten any loose hardware.

ASSEMBLY STEPS

STEP 1: Unfold and Adjust Handlebars

IMPORTANT: Be careful not to pinch any wires or cables while unfolding and adjusting the handlebars.

- Loosen the two handlebar knobs (A, Figure 1) and unfold the handlebars into the operating position. Do not use force — if there is binding, continue to loosen the knobs.
- There are two height settings holes in the upper handlebar. The unit is shipped with the handlebar knobs in the lowest

ASSEMBLY

height setting holes. If this height is correct for you, simply tighten the two handlebar knobs. If a higher setting is desired, reposition the handlebar knobs, mounting screws and washers in the other set of holes.

- Check the locations of the three plastic ties (C, Figure 1). The ties must be positioned as shown.

NOTE: There is just one handlebar storage position – folded over the engine as originally shipped.

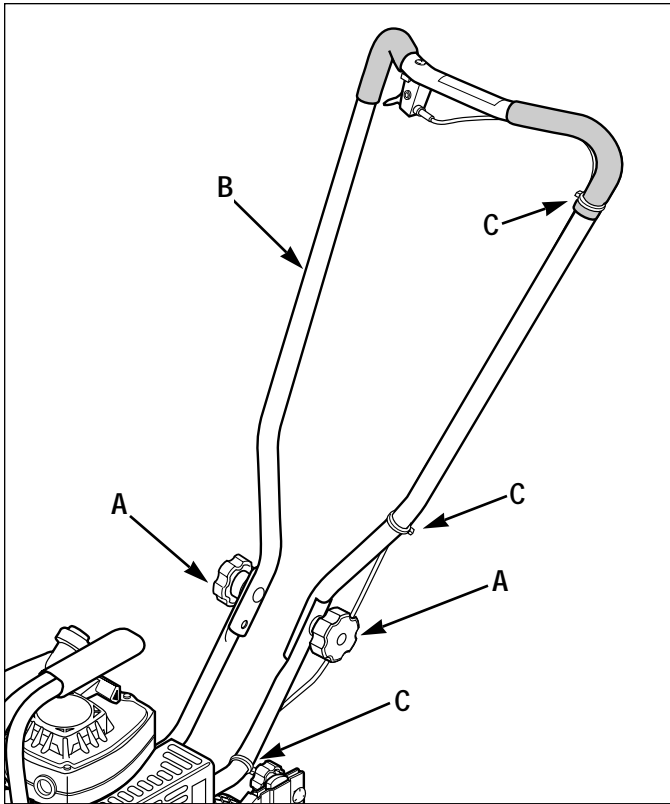


Figure 1: Loosen handlebar knobs and unfold handlebars. Slide plastic ties to the locations shown.

STEP 2: Inspect and Tighten Hardware

- Check all nuts, bolts and screws on your unit and tighten as needed. NOTE: Use a 7/16" socket with an extension to check hardware at ends of handlebar.

IMPORTANT: Do not tighten the engine governor screw (A, Figure 2). This screw is factory-adjusted for proper engine operation.

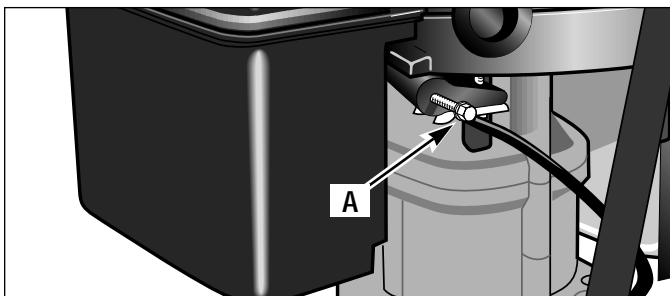


Figure 2: Do not adjust or tighten the engine governor screw.

WARNING: Experience indicates that alcohol-blended fuels (called gasohol or using ethanol or methanol) can attract moisture which leads to separation and formation of acids during storage. Acidic gas can damage the fuel system of an engine while in storage. To avoid engine problems, the fuel system should be emptied before storage for 30 days or longer. Drain the gas tank, start the engine and let it run until the fuel lines and carburetor are empty. Use fresh fuel next season. See "STORAGE" instructions for additional information. Never use engine or carburetor cleaner products in the fuel tank or permanent damage may occur.

STEP 3: Add a Mixture of Gasoline and Two-Cycle Oil to the Fuel Tank

⚠ DANGER

- Gasoline and its vapors are highly flammable and explosive. Keep gasoline away from possible ignition sources.
 - Do not smoke while mixing the gasoline and two-cycle oil together or when filling the fuel tank.
 - Never fill fuel tank when engine is running or hot.
- Failure to follow these precautions could result in the fuel igniting, causing personal injury or property damage.

IMPORTANT: Read the separate Engine Owner's Manual before starting the engine.

- Use clean, high quality 2-cycle oil, NMMA TC-WII or TC-W3. **DO NOT USE MULTI-VISCOSITY OIL!**
- Use fresh, clean, unleaded regular, unleaded premium or reformulated automotive gasoline only. **DO NOT USE LEADED GASOLINE.** NOTE: Do not use gasoline containing methanol (wood alcohol). Fuel containing up to 10% ethanol (gasohol) or up to 15% MTBE (Methyl Tertiary Butyl Ether) may be used, but requires special care when the engine is not used for extended periods. See "STORAGE" instructions in Engine Owner's Manual for additional information.
- **The fuel/oil mix ratio is 24:1 with the use of a NMMA classified oil.** For new engines, use twice the normal oil quantity for the first gallon of fuel. NOTE: Due to differences in fuel and oil availability worldwide, Tecumseh recommends a 16:1 mix ratio if NMMA oil is not available.
- **Do not mix fuel directly in engine fuel tank.** Always use a clean, safety-approved fuel container.
- **To Mix:**
 1. Fill a clean, approved container one quarter full with recommended gasoline.
 2. Add recommended oil to gasoline per FUEL MIXTURE CHART on next page.
 3. Screw cap on container and shake vigorously. Then unscrew cap and fill container with gasoline as shown in FUEL MIXTURE CHART. Once mixed, oil and gasoline will not separate.

ASSEMBLY

FUEL MIXTURE CHART (Mixture Ratio is 24 parts gasoline to 1 part two-cycle oil)			
U.S. Measure		Metric Measure	
Gas	Oil	Petrol	Oil
1 Gal.	5 oz.	4 liters	167 ml
2 Gal.	11 oz.	8 liters	333 ml

Fill Fuel Tank:

- **Engine must be cool.** Clean area around fuel tank cap and remove cap. Insert a clean funnel into the fuel tank.
- Slowly pour gasoline/oil mixture into fuel tank. Fill tank no higher than 1/2" from top of tank to allow for gasoline expansion. Install fuel cap and clean up any fuel spills.

STEP 4: To Make Borders and Edges, Install the Edger Attachment

To create borders or edges near walks, driveways, flower beds, etc., you must remove the four tine sections and install the Edger Attachment (this attachment was supplied with the unit – see Page 6).

To Install the Edger Attachment:

⚠ WARNING

Contact with rotating tines or other moving parts can cause serious personal injury.

Before installing or removing attachments, or adjusting or servicing the machine, stop the engine, let all moving parts come to a complete stop, disconnect the spark plug wire and move the wire away from the spark plug.

- Collect the following parts (see Figure 4): (A) Border/Edger Tine; (B) Long Bushing; (C) Border/Edger Wheel; and (D) Short Bushing.
- Prop the machine carefully on the front of the tubular carrying handle. The work surface should be firm and flat. NOTE: Usually the Border/Edger Tine is mounted on the right-side of the unit for right-handed persons, and on the left-side of the unit for left-handed persons.
- Flip open the ring on the two ring lock pins (E, Figures 3 and 4) and remove the ring lock pin on each tine shaft. **IMPORTANT:** The ring lock pin is under spring tension – wear gloves to protect your fingers when removing or replacing the ring lock pin.
- It is important for proper tilling performance that the tine sections be later reinstalled in their original positions. Therefore, mark the position of each tine section (Left-Outer, Left-Inner, etc.) before removing them. Refer to Figures 3 and 12 for tine position information.

- Install the short bushing (D, Figure 4) on the right-hand or left-hand tine shaft. Then place the Border/Edger wheel (C) on the same shaft – the wheel hub should face toward the tiller. Insert the ring lock pin through the rounded side of the tine shaft and snap the ring down over the shaft (see "DETAIL", Figure 4).
- Slide the long bushing (B) on the opposite side shaft. Then install the Border/Edger tine (A) and secure it with the ring lock pin. See the *Operation* Section for information and full instructions on using the Border/Edger Attachment.

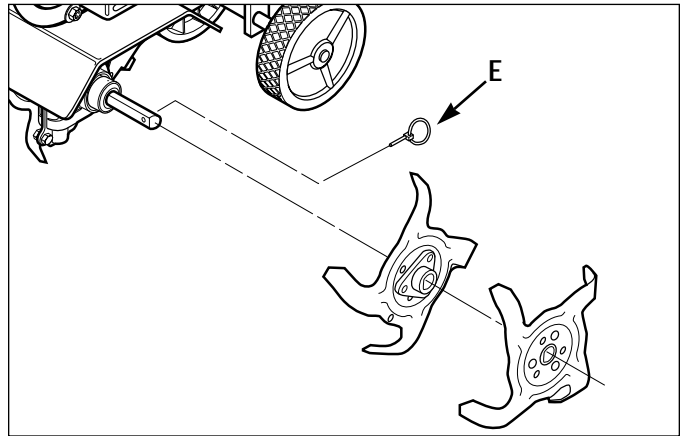


Figure 3: Remove ring lock pins and tines from both sides of the tine shaft. Keep left and right-side tines separated and marked for easier reinstallation.

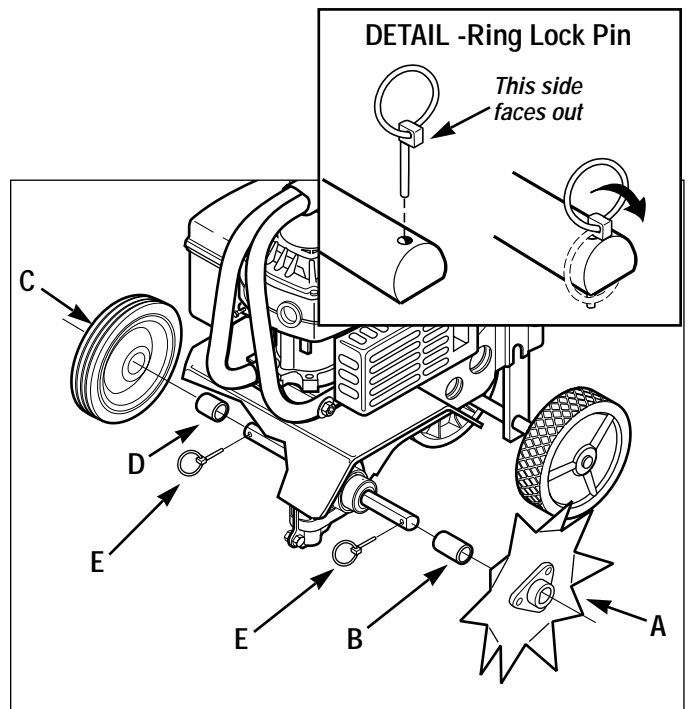


Figure 4: The Border/Edger tine (A) can be mounted on left or right sides of machine (with long bushing B). The Border/Edger wheel (C) mounts on the other side (with short bushing D).

OPERATION

KNOW YOUR EQUIPMENT

READ THIS OWNER'S MANUAL AND ALL SAFETY RULES BEFORE OPERATING YOUR EQUIPMENT. Know the location and function of all features and controls on the equipment. Save this manual for future reference.

WARNING

Contact with rotating tines or other moving parts will cause serious personal injury!

Before inspecting or servicing any part of the machine, shut off engine, let all moving parts come to a complete stop, disconnect the spark plug wire and move the wire away from the spark plug.

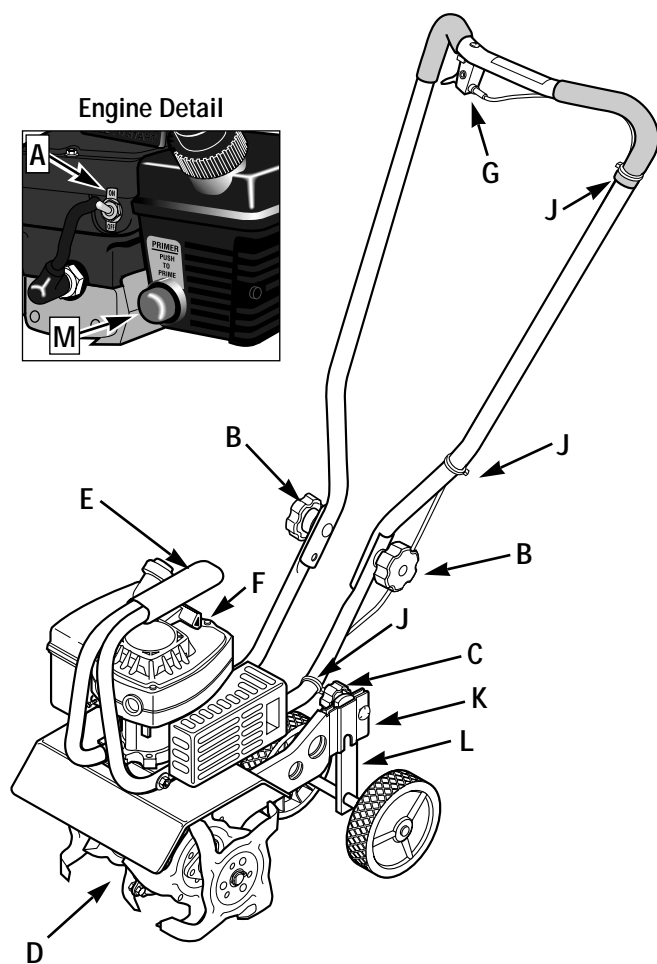


Figure 5: Features and controls.

Engine On-Off Switch (A, Fig. 5-Engine Detail)

Move switch to ON prior to starting engine. Move switch to OFF to stop the engine.

Handlebar Height Adjustment (B, Fig. 5)

Two height settings, plus a storage position are available. Refer to *STEP 1: Unfold and Adjust Handlebars* in the *Assembly* Section for adjustment instructions.

Tilling Depth Adjustment Knob (C, Fig. 5)

Loosen this knob to allow the wheel bracket (K) to move up or down on the height adjustment bar (L). The wheel bracket helps to control the tilling depth. Move the bracket down for deeper tilling; up for shallower tilling. It is recommended that you first use a shallow tilling setting, with the wheel bracket in a fairly high position. Keep in mind that any adjustment must result in your personal comfort and control.

IMPORTANT: Do not move the wheel bracket any higher than the top of the adjustment bar.

Adjustable Tine Positions (D, Fig. 5)

The four tine sections are assembled at the factory for maximum performance under a wide variety of conditions. If needed, the two outer tine sections can be removed to permit narrower tilling or close cultivating, and the two inner tine sections can be swapped for tilling in very stony soil. For further details, refer to *Optional Tine Positions* in the *Operation* Section.

Carrying Handle (E, Fig. 5)

When the handlebar is folded in the storage position the unit is perfectly balanced and can be carried by the carrying handle. The carrying handle also serves as a tie-down anchor point.

Engine Recoil Start Rope (F, Fig. 5)

Use the recoil start rope to start the engine. It should be pulled out slowly until resistance is felt, then pulled rapidly. Always let the rope rewind slowly.

Engine Throttle Lever (G, Fig. 5)

Squeeze this lever to start tine rotation and to vary the tine speed. Release the lever to stop all tine motion. When starting the engine, this lever must not be squeezed.

Fuel Primer Bulb (M, Fig. 5-Engine Detail)

Use the fuel primer bulb injects fuel into the carburetor for easier starting. Priming the engine for starting is necessary unless the engine is warm and has fuel in the tank. See detailed priming instructions in the engine starting instructions.

IMPORTANT: After each squeeze or push on the priming bulb, hesitate before repeating. This lets fuel move more efficiently by letting air re-enter the bulb.

OPERATION

PRE-START PREPARATION

Before starting the engine, perform the following checks and services:

- Disconnect the spark plug wire from the spark plug.
- Put the engine On-Off switch in the OFF position.
- Check that all wires and cables are properly and securely connected. It is very important that the three plastic cable ties (J, Figure 5) be positioned as shown. The control cables must not be kinked or jammed in the handlebar.
- Adjust handlebar height to desired position (see *Assembly Section*).
- Check hardware for tightness.
- Add the correct fuel mixture (see *Assembly Section*).
- Adjust the tilling depth as follows:
 - a. Loosen tilling depth adjustment knob (A, Fig. 7).
 - b. Move wheel bracket (B, Figure 7) up in relation to the height adjustment bar (C). Moving the bracket upward results in shallower tilling, which is recommended for initial use. **IMPORTANT:** Do not move the wheel bracket any higher than the top of the adjustment bar.
 - c. Retighten the depth adjustment knob.
- Reconnect the spark plug wire.

DANGER

Gasoline is highly flammable and its vapors are explosive. Follow these safety practices to prevent injury from fire or explosion:

- Never fill fuel tank when the engine is running or when it is still hot from operation. Allow the engine and muffler to cool before refueling.
- Do not allow open flames, sparks, matches, or smoking in fueling area.
- Fill fuel tank outdoors in a well-ventilated area.
- Wipe up any spills and move tiller away from fumes before starting engine.
- Use only an approved fuel container and lock it safely away from children.
- Store fuel and machine in a well-ventilated area. Do not store fuel or equipment in an area where fuel vapors could reach an open flame or spark, or an ignition source (such as hot water heaters, furnaces, clothes dryers, stoves, electric motors, etc.).
- Allow engine to cool before storing machine.

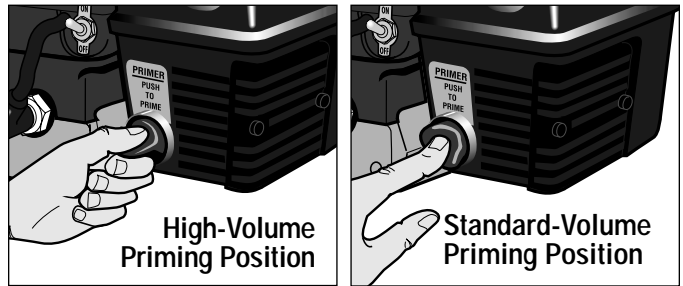


Figure 6: Fuel primer bulb.

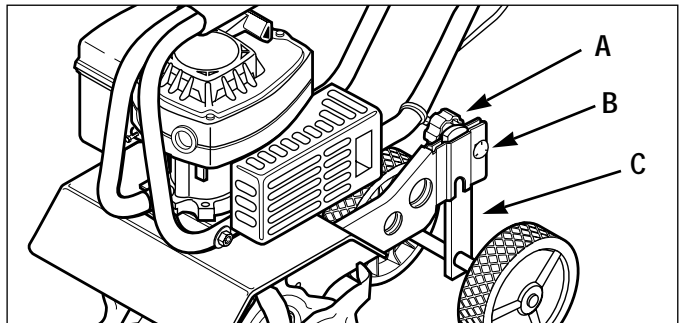


Figure 7

STOPPING AND STARTING THE ENGINE

WARNING

Do not squeeze Engine Throttle Lever while starting the engine.

Tines may propel the machine forward if the engine speed is advanced from idle. Failure to comply can result in personal injury or property damage.

Stopping the Engine

To stop the engine, move the engine On-Off Switch to the OFF position.

Starting the Engine

Move the engine On-Off Switch to the ON position. Then, determine which of the next three starting conditions to use:

Priming When First Time Starting:

Use this priming method to start a new engine for the first time, or after running out of gas, or after extended storage. Use thumb and forefinger to squeeze the side of the primer bulb that is in line with the light colored rib on the primer body, as shown in Figure 6 (High-Volume Priming Position). Squeeze the primer bulb six (6) times. This process removes air from the priming system. As fuel enters the priming system, the priming action will feel more firm.

OPERATION

Priming When Cold Starting:

Use this priming method to start the engine after it has been sitting or has been in brief storage, and has fuel in the tank. Use the Standard-Volume Priming Position (Figure 6) and push in top of primer bulb two (2) times for above 55°F, or three (3) times if below 55°F.

When Warm Starting:

Do not use the primer to restart the engine after it has been stopped after running, still has fuel in the tank, and has not cooled completely.

Pull Out Recoil Start Rope:

After priming the engine (if required), assume the starting position, keeping your feet positioned safely away from the tines. See Figure 8.

Put one hand on the upper handlebar to stabilize the machine. Use the other hand to pull out the recoil start rope, slowly, until it pulls slightly harder. Let rope rewind slowly. Then, with a quick arm motion, pull the rope all the way out, up to ten (10) times. Let the start rope rewind slowly.

Allow the engine to warm up for several seconds. If engine either fails to start or to continue running, push in primer bulb two (2) times. Grasp starter rope and pull with a rapid, full stroke, up to ten (10) times.

TROUBLESHOOTING: Push the primer bulb in two (2) more times. Using a rapid full stroke, pull out the starting rope up to ten (10) times. If engine still does not start, wait 15 minutes. Do not prime engine further. Grasp start rope and pull with a rapid, full stroke up to ten (10) times.

BASIC OPERATION

- Use your machine for busting sod, preparing seedbeds and for cultivating in gardens and flower beds.
- The machine is easy to operate, but it is important that you start out slowly and read this Section thoroughly before putting it to use.
- Please remember that tilling depth is determined by soil conditions, the depth adjustment setting, engine speed and the amount of pressure applied to the handlebars. With experience, you will find the right combinations for a variety of tilling and cultivating applications. Generally, the machine provides best results when the soil has moderate moisture content and a granular texture.
- Let the machine do most of the work. The tines will pull the machine forward, letting you adjust forward speed by pressing down or lifting the handlebars.

TILLING AND CULTIVATING

- Roll the machine to the work area.
- Adjust the tilling depth to the desired position (see *Pre-Start Preparation* on the previous page).
- Start the engine (see *Stopping and Starting the Engine* on the previous page). Assume the operator's position behind the handlebars, facing forward toward the engine. Using the handlebar, tilt the machine backward enough to raise the tines off

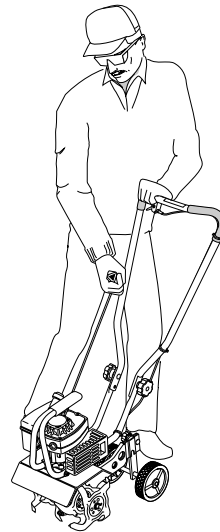


Figure 8: Starting position.



Figure 9: Assume operator's position once engine starts.

the ground. Squeeze and release the Engine Throttle Lever – the engine should speed up and then return to idle speed. At idle, the tines should stop rotating or they may rotate very slowly. Lowering them back to the ground should stop any rotation.

NOTE: If the tines continue to rotate when the engine is idling, either the idle speed is too high or the centrifugal clutch is malfunctioning. If this occurs, contact the Factory or your local authorized dealer.

- Squeeze the Engine Throttle Lever to start the tines rotating. Lower the tines to begin digging. Firmly hold the handlebars to prevent the machine from moving forward too quickly and to allow enough time for the tines to dig deeply enough.

Tilling Patterns

- When preparing a seedbed, go over the same path twice in the first row, then overlap one-half (1/2) the machine width on each succeeding pass (Figure 10).
- After going up and down the rows in one direction, make second passes at a right angle across the original passes (Figure 11). Again, overlap each pass to thoroughly pulverize the entire seedbed area. In very hard ground, it may take three (3) or four (4) passes before the desired depth is achieved.
- If your garden is not wide enough to till lengthwise and then crosswise, then first overlap by one-half (1/2) the machine width, followed by successive passes at one-quarter (1/4) machine width. This overlapping method assures thorough breaking-up of the ground.



Figure 10: Use an overlap technique on every pass.

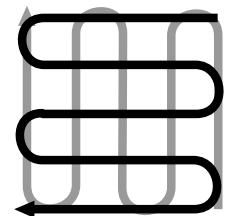


Figure 11: Make a second set of passes at a right angle over the first set of passes.

OPERATION

Tips and Techniques

- Adjust engine speed to suit the tilling conditions. Remember that the rotating tines help to pull the machine forward. Use slower speeds and a shallow depth setting when learning to use the unit and whenever you are tilling on hard, rough or uneven ground.
- The amount of pressure applied to the handlebars helps to control tilling depth. Depending upon soil firmness and texture, you may have to push down or lift up on the handlebars to achieve the correct tilling depth.
- Set the handlebars at a height which provides maximum control at all times. The machine should feel comfortable and well-balanced.
- If the machine stays and tills in one spot, try swinging the handlebars from side to side to start it moving forward again.

Tilling Depths

- Do not try to till too deeply in the first pass through sod or very hard ground. If the machine jumps or bucks, use a shallower depth setting and reduce the engine speed. With each succeeding pass, till more deeply.
- Apply downward pressure on the handlebars for shallower tilling. Lift the handlebars to dig more deeply.
- For easier tilling, water very hard soil a few days before tilling. Avoid soggy or wet soil. Wait a day or two after heavy rain for the ground to dry.

Cultivating

- The machine is well-suited for cultivating (shallow tilling that disrupts weeds and aerates the upper crust of soil).
- Shallow tilling is very important! Do not till deeper than 1"-2" to avoid injuring nearby plant roots. Cultivate often, so that weeds do not grow large and cause needless tangling in the tines.
- With careful planning, you can space the seed rows far enough apart to allow sufficient room for the machine to cultivate after the plants have grown.

Optional Tine Positions

Depending upon the tilling project, you have a choice of three tine patterns:

Wide Tine Pattern – As shipped from the factory, the unit is set up for general tilling and cultivating. This 10" wide tine pattern (the maximum tilling width) uses all four tine sections arranged as shown in Figure 12 "A".

Narrow Tine Pattern – For a narrow, 4-1/2" tilling width, remove the outside tine section on the left- and right-sides (see "B", Figure 12). This width is particularly well-suited for flower beds. The tine removal procedure is explained in the *Maintenance/Repairs* Section.

Stony Soil Tine Pattern – When tilling deeply in stony soil, stones may become jammed between the inner tines and the machine hood. To minimize jamming, swap the positions of the two inner tine sections (see "C", Figure 12). The procedure for doing so is explained in the *Maintenance/Repairs* Section.

⚠ WARNING

Contact with rotating tines will cause serious personal injury. Before attempting to remove or clean tines, stop the engine, let all moving parts stop completely, then disconnect spark plug wire and move wire away from plug.

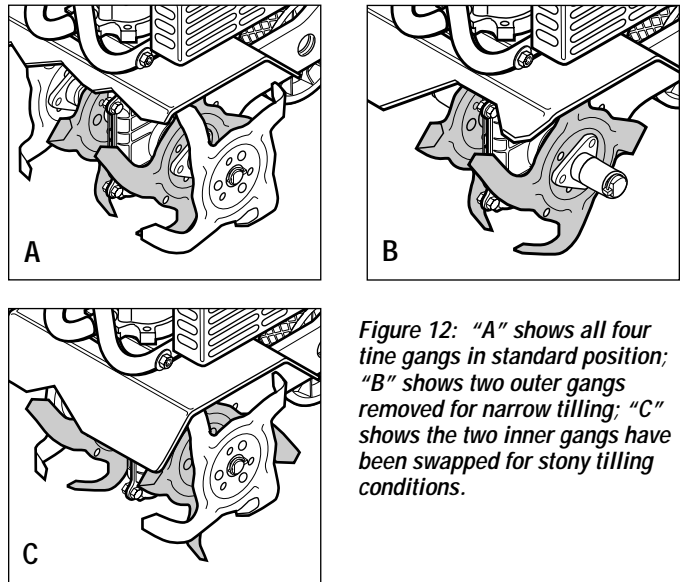


Figure 12: "A" shows all four tine gangs in standard position; "B" shows two outer gangs removed for narrow tilling; "C" shows the two inner gangs have been swapped for stony tilling conditions.

Making Border Edges

Use the Edger Attachment to make clean, sharp edges next to walkways, driveways, paths, planted areas, patios, etc. Refer to page 8 for instructions on attaching this accessory.

Take your time when edging. Decide how far away the edge is going to be from the walk or drive, then slowly proceed using the walk or drive as your sight line.

The built-in maneuverability of the equipment helps you create a near-perfect circle, or to easily negotiate a meandering or abruptly-changing path.



Figure 13

MAINTENANCE/SERVICE

⚠ WARNING

Before inspecting, cleaning or servicing the machine, shut off engine, let all moving parts come to a complete stop, disconnect the spark plug wire and move the wire away from the spark plug.

Failure to follow these instructions can result in personal injury or property damage.

Note (1) – After first five (5) hours of use.

Note (2) – Clean daily when conditions are extremely dusty or dirty.

Note (3) – Spark plug may be checked annually or every 100 operating hours.

REQUIRED MAINTENANCE SCHEDULE

REQUIRED MAINTENANCE	Before Each Use	After Each Use	Every 25 Hours	Every 75 Hours	End of Season
Check Tightness of Bolts and Nuts			•		
Clean Engine Cooling System	•				
Check Transmission Lubricant (1)			•		•
Service Air Filter (2)			•		
Inspect Spark Plug (3)					•
Clean Machine					•
Clean Engine Exhaust Ports (see Factory or authorized Dealer)				•	
Clean Tine Shaft		•			

EQUIPMENT MAINTENANCE

Transmission Maintenance

The transmission was lubricated with grease at the factory and it should not require any further lubrication.

However, you should check the lubricant level after the first five (5) hours of operation and every twenty-five (25) operating hours thereafter. If needed, use a high-quality, automotive-grade petroleum-base grease.

⚠ WARNING

Before tipping engine or equipment to service transmission, drain fuel from tank by running engine until fuel tank is empty.

To check the transmission:

- Stop the engine, let it cool and disconnect the spark plug wire before proceeding.
- Place the machine down on its left side so the right end of the tine shaft points up.
- Remove the right-side tines (see *Tine Removal and Installation* in this Section).

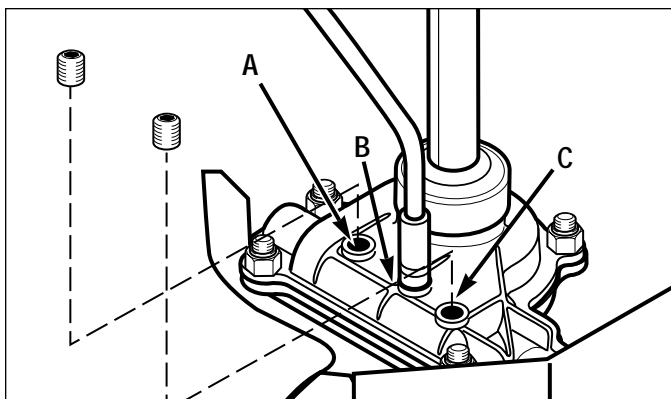


Figure 14: Transmission lubricant check and fill locations (A,B,C).

- Clean the transmission housing to prevent dirt and debris from entering the transmission.
- Remove the three threaded plugs (A, B and C, Figure 14) from the transmission. Lubricant should be visible in the top two holes (B and C). If so, replace all three plugs. If lubricant is needed, proceed as follows.

To lubricate the transmission:

- Place the nozzle of a standard grease gun firmly against the rim of the middle hole (B, Figure 14) and add grease until it begins to seep from the bottom hole (A). Reinstall the plug in the bottom hole (A). Next apply grease to the top fill hole (C) until it begins to seep from the middle hole (B). Reinstall the plugs in the middle (B) and top (C) holes.
- Before reinstalling the tines, use a fine grade sandpaper to clean any rust off the tine shaft. Apply a few drops of oil to the tine shaft to make future tine removal easier.

Other Lubrication Points

- Handlebar Adjustment Knobs: Spray occasionally with a silicone type lubricant.
- Engine Throttle Lever Cable: Squeeze the lever closed and spray a lubricant (such as WD40) into the cable area.
- Tine Shaft: After each use, remove the tines, clean the tine shaft with sandpaper and apply a light coat of oil to the tine shaft.

Hardware

Before each use, check that all hardware is in place and tightened securely.

ENGINE MAINTENANCE

Engine Lubrication

The engine is a two-cycle engine. Lubrication is provided by mixing two-cycle oil with unleaded regular gasoline as described in the *Assembly* Section. Attempting to operate the engine on gasoline alone will cause the engine to overheat and seize up.

MAINTENANCE/SERVICE

Engine Air Filter

It is very important that air filter service be performed according to the maintenance schedule. Refer to the separate Engine Owner's Manual for inspection and cleaning instructions.

IMPORTANT: Never run engine without air filter assembly properly installed.

Carburetor Adjustment

⚠ WARNING

Do not tamper with the engine governor screw which is factory-set for the proper engine speed. Overspeeding the engine beyond the factory high speed setting can be dangerous and will void the engine warranty. Authorized service shall be sought if a problem exists.

⚠ WARNING

The temperature of the muffler and adjacent engine areas may exceed 150°F (65°C). Contact may cause burns. Avoid these areas. Remove the spark plug lead and ground the lead to the engine to prevent accidental starts and fires.

Failure to do this could cause personal injury.

If the engine is running poorly or has low power while tilling, an adjustment to the carburetor may solve the problem. However, first inspect and service the spark plug and the air filter before making a carburetor adjustment. If the engine continues to run poorly (and the fuel mixture is fresh), proceed to the following carburetor adjustment instructions.

This factory-engineered instruction is designed to provide continued optimum engine operating performance after the engine break-in period, which is approximately 5 to 10 hours. The adjustment, when properly performed as described below, will not void the engine warranty. A common screwdriver is needed. If you prefer, see an authorized engine dealer for adjustment.

Prior to Carburetor Adjustment:

- Let engine cool for 30 minutes before continuing.
- From the operator's position behind the handlebars, lay the machine down on its left side (muffler side).

Carburetor Adjustment:

- Locate the carburetor idle mixture screw (Figure 15). It is directly under the air filter and is black. **Do Not Adjust The Silver-Colored Screw.**
- Turn the idle mixture screw 1/16 of a turn clockwise.
- Return the unit to its normal upright operating position and reconnect the spark plug wire.

If the engine continues to run poorly, please contact an authorized engine dealer.

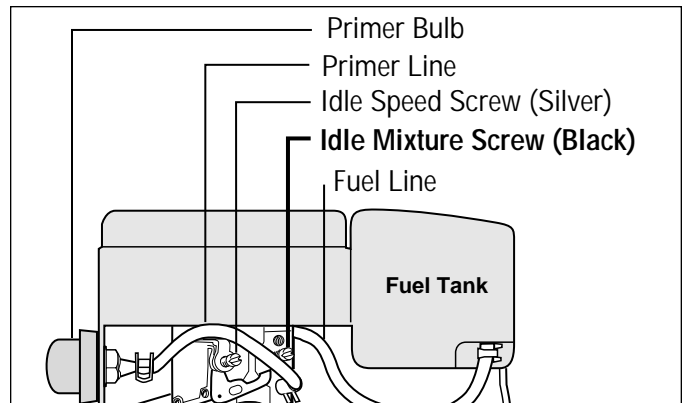


Figure 15: Idle Mixture Screw can be adjusted.

Spark Plug

Inspect the spark plug annually or every 75 operating hours according to the instructions in the separate Engine Owner's Manual. Use a wire feeler gauge to be sure the gap is .030". For replacement use Champion RCJ-6Y or equivalent (a resistor spark plug must be used for replacement).

Cooling System

It is important to frequently check and remove grass clippings, dirt and other debris that accumulates on the engine, cooling fins, air intake screen and on levers and linkages. This helps to ensure adequate air cooling and correct engine speed.

TINE REMOVAL AND INSTALLATION

⚠ WARNING

Avoid contact with the cutting edges on the tines.

To avoid personal injury when removing or installing tines, wear heavy work gloves. The engine must be off, all moving parts completely stopped, and the spark plug wire disconnected from the spark plug and moved away from the plug.

The tines will wear with use and they should be replaced if tilling seems to take longer than usual or if the soil is not being mixed as thoroughly. Also, in addition to the standard 10" tilling width tine configuration, the tines can be arranged in two other configurations: (1) A narrow, 4 1/2" tilling width for smaller areas and (2) A special pattern for stony soil conditions.

IMPORTANT: The ring lock pin (A, Figure 16) is under spring tension – wear gloves to protect your fingers when removing or replacing the ring lock pin.

Tine Pattern for a Narrow, 4-1/2" Wide Tilling Width:

- Prop the machine forward so it rests on the front of the tubular carrying handle. The work surface should be flat and firm.
- Flip open the ring (A, Figure 16) on the left side ring lock pin and remove the ring lock pin.
- Remove the outer tine section (do not remove inner tine section) and mark it as to which side it is from (left or right) and whether it's an outer or inner tine section.

MAINTENANCE/SERVICE

- Slide one of the long bushings (provided with unit) onto the shaft. See Figure 17. Insert the ring lock pin through the rounded side of the tine shaft and snap the ring down over the shaft (see DETAIL, Figure 4, in the *Assembly Section*).
- Repeat on the opposite side of the machine.

Tine Pattern for Stony Soil Conditions:

- Prop the machine forward so it rests on the front of the tubular carrying handle. The work surface should be flat and firm.
- If tilling in stony soil, remove the ring lock pin (A, Figure 16) from both sides of the unit. Remove both outer tine sections. Mark each section as a left or right side tine and whether it is an inner or outer section.
- Remove the inner tine sections and swap their positions (the inner right side section goes on the left side of the machine, and vice versa).
- Reinstall the two outer tine sections on the sides from which they were removed. See Figure 18.
- Insert the ring lock pins through the rounded side of the tine shafts and snap the rings down over the shafts (see DETAIL, Figure 4, in the *Assembly Section*).

To Replace Worn Tine Sections:

- Prop the machine forward so it rests on the front of the tubular carrying handle. The work surface should be flat and firm.
- Remove the ring lock pin (A, Figure 16) from both sides of the unit. Remove the old tine sections and replace them with new tine sections. Refer to Figure 16 and the tine pattern shown in the *Parts List* for tine positioning details. (The tines are excessively worn if tilling takes much longer than before and the soil is not being mixed thoroughly.) Insert the ring lock pins through the rounded side of the tine shafts and snap the ring over the shaft (see DETAIL, Figure 4, in the *Assembly Section*).

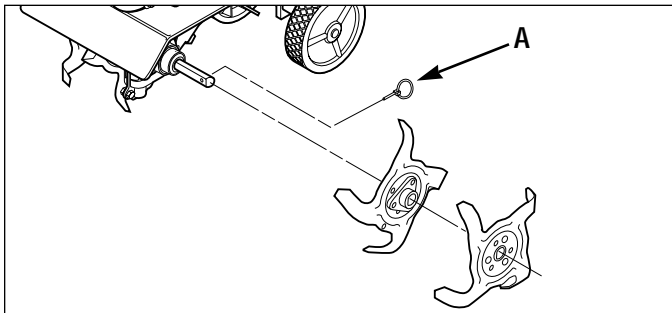


Figure 16: Remove ring lock pin (A) to take off tines.

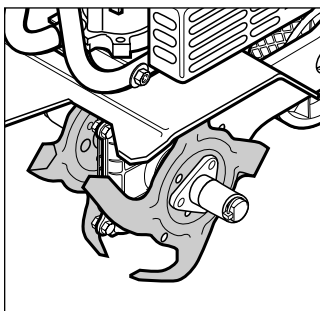


Figure 17: Narrow tilling tine configuration.

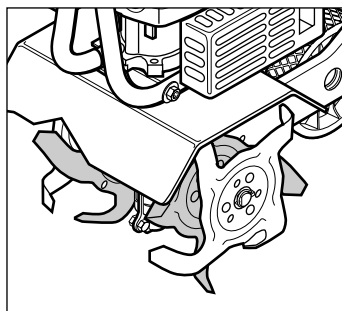


Figure 18: Stony soil tine configuration.

STORAGE

⚠ WARNING

- Never store your equipment when there is a fuel mixture in the fuel tank.
- Never place your equipment near any source of sparks or open flame (such as from a hot water heater, a space heater or clothes dryer).

Failure to comply can result in serious personal injury or property damage.

IMPORTANT: It is important to prevent gum deposits from forming in essential fuel system parts such as carburetor, fuel filter, fuel hose, or tank during storage. Also, experience indicates that alcohol-blended fuels (called gasohol or using ethanol or methanol) can attract moisture which leads to separation and formation of acids during storage. Acidic gas can damage the fuel system of an engine while in storage.

Off-Season Storage Procedure

- Drain the fuel tank of all of the gasoline/two-cycle oil mixture. NOTE: Do not use a fuel mixture that is older than one season in order to avoid varnish deposits throughout the fuel system. Dispose of the fuel mixture properly.
- Start engine and run until fuel mixture is used up. This will prevent poor performance from stale fuel when your equipment is taken out of storage.

NOTE: If "Gasohol" has been used, complete above instructions and then put 1/2 pint of gasoline properly mixed with two-cycle oil (see Fuel Mixing Chart) into fuel tank and repeat above instructions.

NOTE: Fuel stabilizer (such as STA-BIL) is an acceptable alternative in minimizing the formation of fuel gum deposits during storage. Add stabilizer to the fuel mixture in the fuel tank or the fuel storage container. Always follow the mix ratio instructions on the stabilizer container. Run engine at least 10 minutes after adding stabilizer to allow the stabilizer to reach the carburetor. Do not drain the gas tank and carburetor if using fuel stabilizer.

- Let engine cool down after fuel mixture has been used up. Clean dirt and debris from engine cooling fins, linkage and other engine surfaces.
- Pull starter handle slowly until resistance is felt due to compression pressure, then stop. Release starter tension slowly to prevent engine from reversing due to compression pressure. This position will close both the intake and exhaust ports to prevent corrosion of the piston and cylinder bore.
- Remove tines. Clean all soil and debris from dust covers and tine shaft. Lubricate tine shaft with light oil. Replace tines.
- Cover engine and store equipment in a dry, sheltered location.

TROUBLESHOOTING GUIDE

PROBLEM	POSSIBLE CAUSE	CORRECTIVE ACTION
Engine does not start.	<ol style="list-style-type: none"> 1. Spark plug wire disconnected. 2. Out of gas/two-cycle oil fuel mixture. 3. Stale fuel mixture. 4. Priming procedure not correct. 5. Dirty air filter(s). 6. Worn, corroded or broken spark plug. 7. Engine On-Off Switch in OFF position. 	<ol style="list-style-type: none"> 1. Reconnect wire to spark plug. 2. Check fuel tank. Add fuel mixture. 3. Drain old mixture. Add fresh mixture. 4. Refer to priming instructions and starting procedure in manual. 5. Clean or replace air filters. 6. Replace spark plug. 7. Move engine On-Off Switch to ON.
Engine runs poorly or has low power under tilling conditions.	<ol style="list-style-type: none"> 1. Fouled spark plug. 2. Dirty air filter(s). 3. Stale fuel mixture. 4. Carburetor out of adjustment. 	<ol style="list-style-type: none"> 1. Remove, inspect, clean spark plug. 2. Clean or replace dirty air filters. 3. Drain old mixture. Add fresh mixture. 4. Adjust carburetor referring to instructions in manual.
Engine overheats.	<ol style="list-style-type: none"> 1. Engine cooling system clogged. 2. Carburetor out of adjustment. 	<ol style="list-style-type: none"> 1. Remove blower housing. Remove debris. 2. Authorized Engine Dealer.
Tines stop rotating.	<ol style="list-style-type: none"> 1. Object wedged between tines and hood. 2. Internal transmission problem. 	<ol style="list-style-type: none"> 1. Remove wedged object. 2. Authorized Engine Dealer.

OPERATING AND SAFETY DECALS

Decals are not shown at full size. See Repair Parts pages for reordering information.



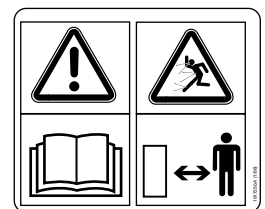
On back of engine near engine On-Off switch



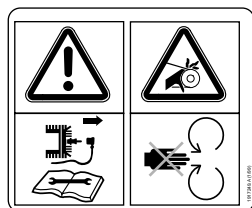
On top of handlebars



On rear, left-side of tine shield

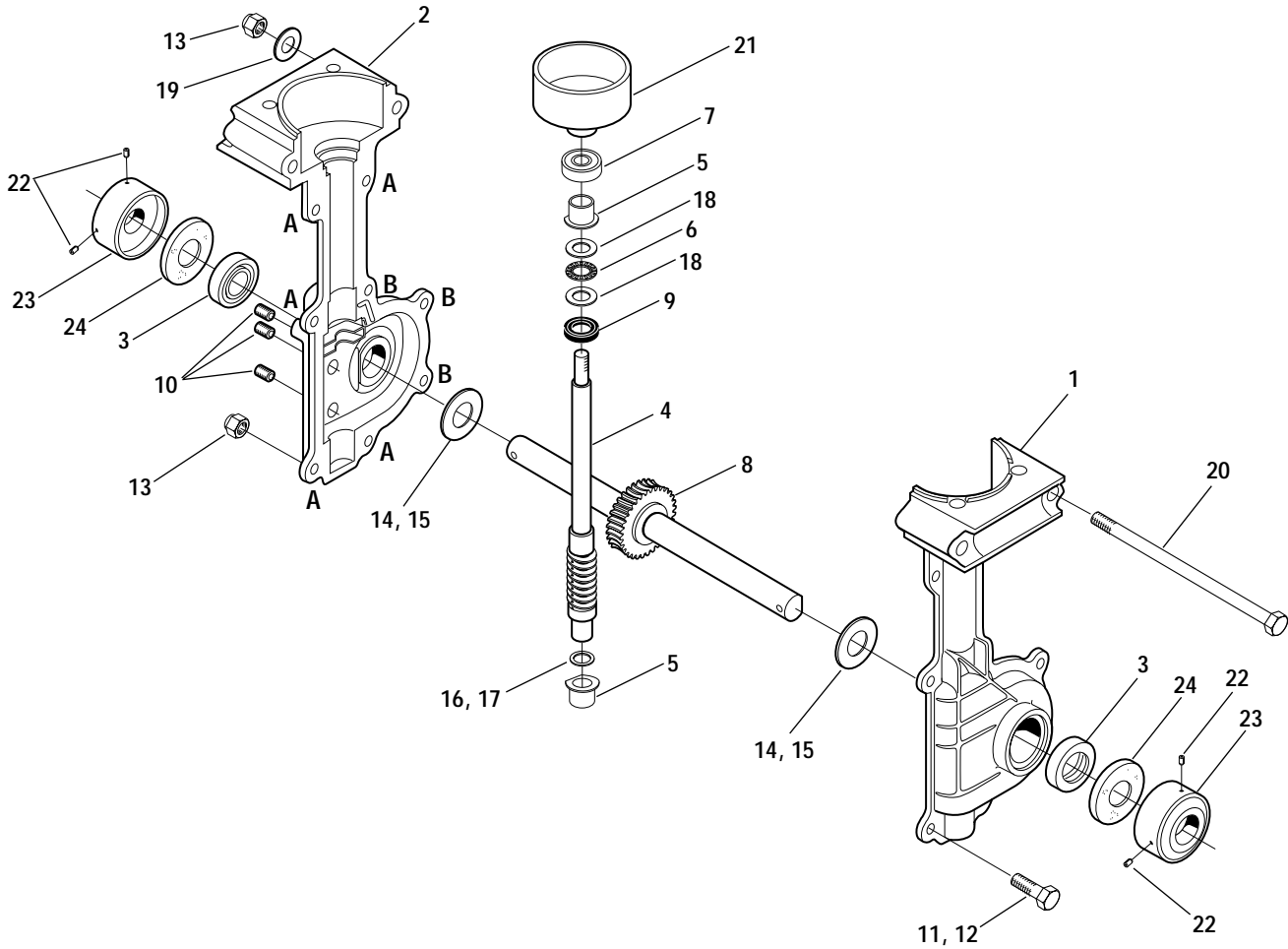


On top, left-side of tine shield



On rear, right-side of tine shield

REPAIR PARTS – Model 12207



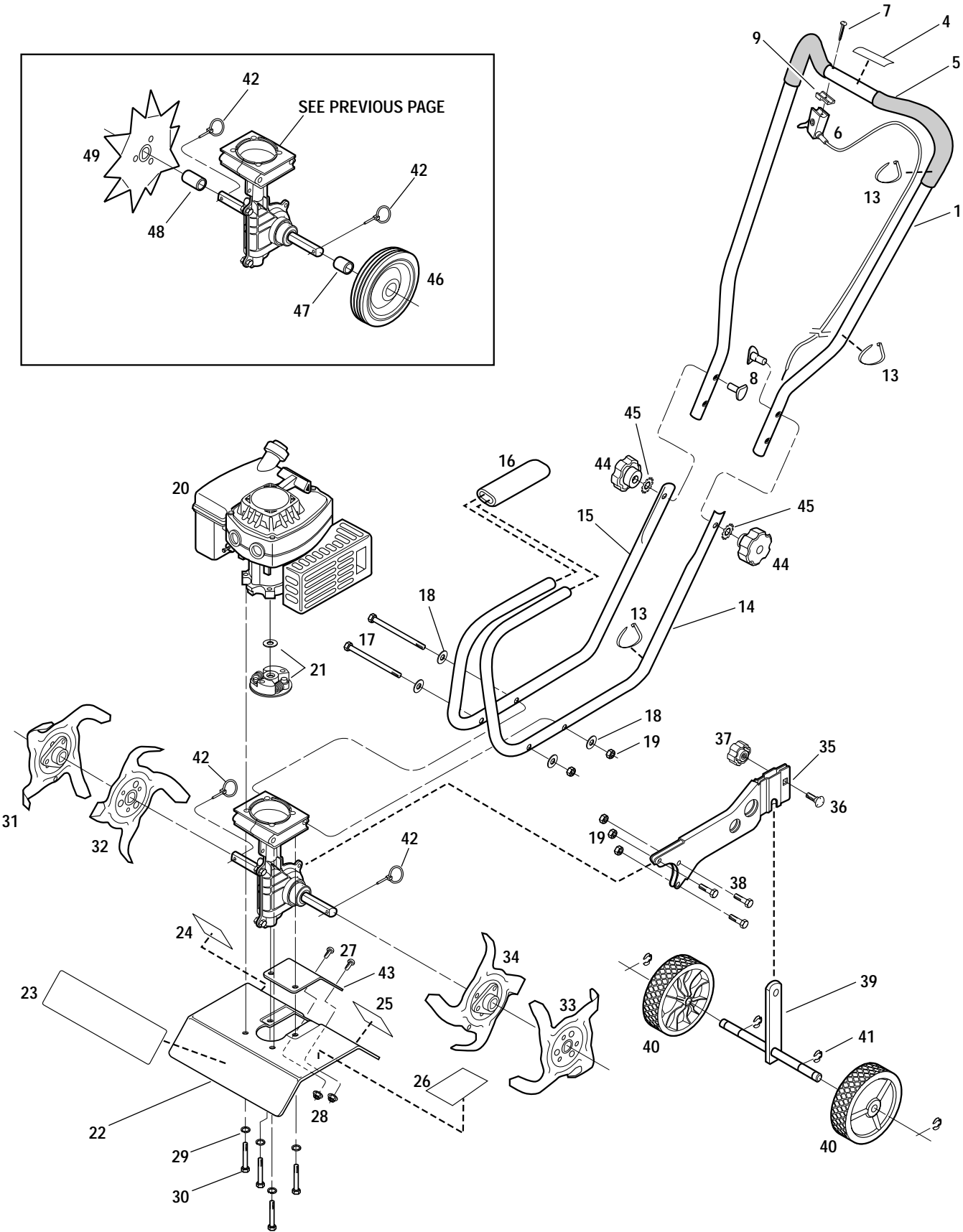
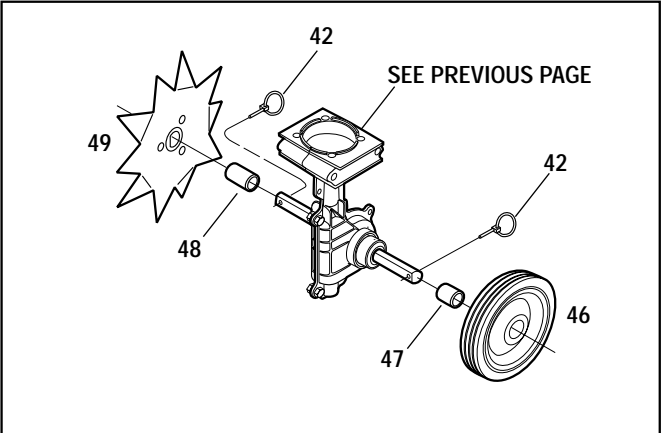
TRANSMISSION ASSEMBLY

Ref #	Part #	Description	Qty
1	1915039	Transmission Case - left-side. (Incl. pressed-in bushing)	1
2	1915040	Transmission Case - right-side. (Incl. pressed-in bushing)	1
3	1983632	Oil Seal	2
4	1918307	Worm Input Shaft Assembly	1
5	1983731	Bearing, Input	2
6	1983636	Thrust Bearing	1
7	1983637	Ball Bearing	1
8	1904416	Shaft Assembly. (Incl. pressed-on worm gear and two ring lock pins)	1
9	1909923	Oil Seal, Input	1
10	1185741	Plug, 1/8	3
11	1111600	Hex Screw, 1/4-20 x 7/8 (five locations, identified as "A" on transmission case)	5

Ref #	Part #	Description	Qty
12	1100069	Hex Screw, 1/4-20 x 1 (three locations, identified as "B" on transmission case)	3
13	1817146	Locknut, Nyloc, 1/4-20	8
14	1983635	Thrust Washer, Output (.050")	A/R
15	1983640	Thrust Washer, Output (.040")	A/R
16	1983641	Thrust Washer, Input (.020")	A/R
17	1983642	Thrust Washer, Input (.035")	A/R
18	1983638	Thrust Washer	2
19	1107381	Flat Washer, 1/4	2
20	1983663	Hex Hd. Screw, 1/4-20 x 5	2
21	1909486	Clutch Drum and Hub	1
22	1747166	Set Screw, 1/4-28 x 3/8	4
23	1915055	Dust Cover	2
24	1983713	Felt Washer	2

A/R – As Required

REPAIR PARTS – Model 12207



REPAIR PARTS – Model 12207

Ref #	Part #	Description	Qty
1	1918303	Handlebar Assy. (Incl. Refs. 4 & 5)	1
2	1909936	Decal - On/Off Ignition Switch	1
4	1918221	Decal - Throttle Lever Operation	1
5	1917451	Handlebar Grip, PVC	2
6	1918123	Throttle Lever and Cable	1
7	1750608	Pan Hd. Screw, #10-16 x 1-1/2	1
8	1731025	Saddle Hd. Screw, 5/16-18 x 2	2
9	1909775	Spacer, Throttle Lever	1
13	1763682	Plastic Wire Tie	3
14	1918120001	Lower Handlebar - Left-Side	1
15	1918121001	Lower Handlebar - Right-Side	1
16	1909720	Foam Sleeve	1
17	1983663	Hex Hd. Screw, 1/4-20 x 5	2
18	1107381	Flat Washer, 1/4-20	2
19	1817146	Hex Locknut, 1/4-20	5
20	*	Engine (Incl. Ref. 2)	1
21	1909487	Clutch Rotor and Washer	1
22	1918310	Tine Shield (Incl. Refs. 23, 24, 25 & 26)	1
23	1918336	Decal - Logo	1
24	1917249	Decal - Warning, Rotating Tines	1
25	1917248	Decal - Warning, Hot Surfaces	1
26	1917250	Decal - Caution, Operation Hazards	1
27	1186292	Hex Hd. Screw, #10-24 x 1/2	2
28	1186387	Flange Locknut, #10-24	2
29	1100241	Lock Washer, 1/4-20	4

Ref #	Part #	Description	Qty
30	1100807	Hex Cap Screw, 1/4-20 x 2	4
31	1909540	Outer Tine - Right-Hand Side	1
32	1909539	Inner Tine - Right-Hand Side	1
33	1909712	Outer Tine - Left-Hand Side	1
34	1909711	Inner Tine - Left-Hand Side	1
35	1909680001	Wheel Bracket	1
36	90077	Carriage Bolt	1
37	1909835	Knob	1
38	1100069	Hex Hd. Screw, 1/4-20 x 1	3
39	1909517001	Axle	1
40	1917754	Wheel	2
41	9532	E-Ring	4
42	1904321	Ring Lock Pin	2
43	1981022010	Tine Hood Cover	1
44	1763767	Knob	2
45	1177038	Lock Washer, 5/16	2

EDGER ATTACHMENT

46	1903777	Edger Wheel	1
47	1903778	Bushing - Short	1
48	1983648	Bushing - Long	1
49	1915054	Edger Tine	1

ADDITIONAL ATTACHMENTS

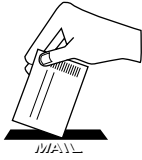
----	12575	Power Lawn Rake Attachment	1
------	-------	--------------------------------------	---

* Order parts from your local authorized engine dealer. Refer to engine nameplate for model/type number.

CUSTOMER SERVICE INFORMATION

Owner Registration Card

Please fill out and mail the enclosed owner registration card. The purpose of this card is to register each unit at the factory in order to keep the owner informed with informational bulletins and safety literature.



Model/Serial Numbers

A Model Number/Serial Number decal is located on the handlebar. For ready reference, record these numbers in the spaces below.

Model Number: _____

Serial Number: _____

IMPORTANT:

Left and right sides of the unit are determined by standing behind the unit, in the operator's position, and facing in the direction of forward travel.

NOTICE:

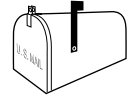
We reserve the right to change specifications, add improvements or discontinue the manufacture of any of our equipment without notice or obligation to purchasers of our equipment.

WARNING

We urge using only genuine replacement parts, which meet all the latest requirements. Replacement parts manufactured by others could present safety hazards, even though they may fit on the unit.

Customer Service and Technical Service

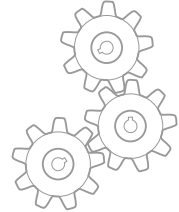
If you have questions or problems with the unit, contact your local dealer or the factory. (When calling or writing, provide the Model/Serial Numbers of the unit.)



Replacement Parts

Factory specified replacement parts are available from your authorized dealer or directly from the factory. When ordering parts, be sure to provide the following:

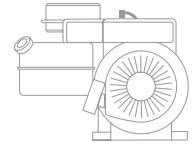
- Model/Serial Numbers of unit.
- Part number of the part needed.
- Part description.
- Quantity needed.



NOTE: All replacement parts must conform to our rigid quality specifications. Although some parts we provide may vary slightly in shape, color or texture from the original parts, any variations will not affect the fit or performance of these parts on your unit.

Engine Service and Repair

For engine service or repair, contact your nearest authorized engine dealer (look in the Yellow Pages under "Engines—Gasoline"). The engine is warranted by the engine manufacturer. Any unauthorized work performed on the engine during the warranty period may void this warranty. For complete details on the engine warranty, refer to the engine owner manual.



Authorized Dealer Information

If you purchased your unit from an authorized dealer, record the dealer's address and phone number below for ready reference:

Dealer Name: _____

Address: _____

Phone: _____

For customer assistance, contact your nearest authorized dealer or:

Garden Way Incorporated • 1 Garden Way • Troy, New York 12180

Customer Service: 1-800-437-8686 • Technical Service: 1-800-520-5520 • Parts Service: 1-800-648-6776 • FAX: (518) 391-7332

Outside the U.S.A. and Canada:

Customer Service: (518) 233-4807 • Technical Service: (518) 233-4808 • Parts Service: (518) 233-4806 • FAX: (518) 233-4622

Free Manuals Download Website

<http://myh66.com>

<http://usermanuals.us>

<http://www.somanuals.com>

<http://www.4manuals.cc>

<http://www.manual-lib.com>

<http://www.404manual.com>

<http://www.luxmanual.com>

<http://aubethermostatmanual.com>

Golf course search by state

<http://golfingnear.com>

Email search by domain

<http://emailbydomain.com>

Auto manuals search

<http://auto.somanuals.com>

TV manuals search

<http://tv.somanuals.com>