

Bosch Nexxt® 500 Series Gas Dryer

**Models / Modèle / Modelo:
WTMC3521UC & WTMC352SUC**



Table of Contents

Definitions	3
IMPORTANT SAFETY INSTRUCTIONS	3
GROUNDING INSTRUCTIONS	4
INSTALLATION INSTRUCTIONS	5
Introduction	5
Information concerning waste disposal	5
Before installing the dryer	5
Electrical connection	6
Gas connection	7
Exhaust air connection	7
Accessories	8
Installation – step by step	9
Check list before using the dryer	10
Preparing to transport the dryer – step by step	10
OPERATING INSTRUCTIONS	11
Your new dryer	11
Panel	12
Summary of instructions	13
Safety information	14
Before switching on the dryer	14
Using the dryer	14
Protecting the dryer	14
Protection of the environment	14
Before using the dryer for the first time	14
Temporary disconnection of the dryer	14
Laundry	14
Identification of fabrics	14
Drying tips	15
Program selection	15
Automatic programs	15
Time programs	15
Options	15
Indicator of program sequence	15
Program selection table	16
Operation	16
Using the dryer	16
Using the dryer rack (Option)	17
Cleaning and care	19
Cleaning the dryer	19
Cleaning the lint filter	19
Cleaning the exhaust duct	19
Cleaning the moisture sensor	19
Cleaning the bearing shield	19
Change the light bulb	20
Troubleshooting	20
SERVICE and REPAIR	21
STATEMENT OF WARRANTIES BOSCH CLOTHES DRYERS	22
Exclusions	22

Congratulations on having selected a Bosch clothes dryer, the choice of those that demand exceptional performance from their clothes dryer. This dryer complies with ANSI Z21.5.1/ CGA 7.1-2002 Clothes Dryers Vol. I.

A distinctive feature of your dryer is low energy consumption.

An easy operation philosophy, a variety of customized drying programs and a solid touch and feel make this appliance a user-friendly assistant in your household.

The Bosch dryer offers the following standard features:

- High efficiency precision drying system
- Large 6.4 cu.ft. (181 l) stainless steel drum with a capacity up to 17.6 lbs (8 kg) load
- Large port hole (18"/457 mm), door lock with automatic drum stop function
- Exceptionally quiet operation
- Sensor controlled auto cycles
- Timed cycles from 20 to 60 minutes



Each dryer which leaves our factory has undergone a thorough performance test and is in full working condition. If you have any questions especially concerning installation of the dryer – our customer service team will be happy to advise you.

Further information and a selection of our products can be found on our web site:

www.bosch.appliances.com



Information

Please read and follow these operating and installation instructions and all other information enclosed with the dryer.

 **CAUTION** 

CAUTION – Please refer to the rating plate to insure that your dryer is designed for your fuel source.

Definitions

 **WARNING** 

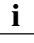
WARNING – This indicates that death or serious injuries may occur as a result of non-observance of this warning.

 **CAUTION** 

CAUTION – This indicates that injuries may occur as a result of non-observance of this warning.

CAUTION

CAUTION – This indicates that damage may occur as a result of non-observance of this warning.

 This symbol is used to draw the user's attention to important matters.

WARNING: For your safety the information in this manual must be followed to minimize the risk of fire or explosion or to prevent property damage, personal injury or death.

- **Do not store or use gasoline or other flammable vapors and liquids in the vicinity of this or any other appliance.**
- **WHAT TO DO IF YOU SMELL GAS**
 - Do not try to light any appliance.**
 - Do not touch any electrical switch. Do not use any phone in your building.**
 - Clear the room, building or area of all occupants.**
 - Immediately call your gas supplier from a neighbor's phone. Follow the gas supplier's instructions.**
 - If you cannot reach your gas supplier, call the fire department.**
- **Installation and service must be performed by a qualified installer, service agency or the gas supplier.**

IMPORTANT SAFETY INSTRUCTIONS

1. Read all instructions before using the dryer. Bosch dryers are provided with Operating, Care and Installation Instructions.
2. Do not dry articles that have been previously cleaned, washed, soaked, or spotted with gasoline, dry cleaning solvents, other flammable, or explosive substances as they give off vapors that could ignite or explode.
3. Do not allow children to play on or with the appliance. Close supervision of children is necessary when the appliance is used near children.
4. When children become old enough to operate the appliance, it is the legal responsibility of the parents or legal guardians to ensure that they are instructed in safe practices by qualified persons.
5. Do not reach into the appliance if the drum is rotating.

6. Do not install or store this appliance where it will be exposed to the weather.
7. Do not tamper with the controls.
8. Do not repair or replace any part of the appliance or attempt any service unless specifically recommended in the user-maintenance instructions or in published user repair instructions that you understand and have the skills to carry out.
9. Do not use fabric softeners or products to eliminate static unless recommended by the fabric manufacturer.
10. Do not use heat to dry articles containing foam rubber or similarly textured rubber-like materials. Foam rubber materials can ignite when heated.
11. Clean lint screen before or after each load.
12. Keep area around the exhaust opening and adjacent surrounding areas free from the accumulation of lint, dust and dirt. An obstructed port might reduce the airflow and cause over heating.
13. The interior of the machine and exhaust duct should be cleaned periodically by qualified service personnel.
14. Removing any panel or cover, including the light cover, may expose live electrical circuits. Always unplug the dryer from the electrical supply before attempting any service.
15. Store all laundry chemicals and aids in a cool dry place according to the manufacturer's instructions. Make sure children cannot reach them.
16. To reduce the risk of fire, clothes, cleaning rags, mop heads and the like which have traces of any flammable substance, such as vegetable oil, cooking oil, petroleum based oils or distillates, waxes, fats, etc., must not be placed in the dryer. These items may contain some flammable substance(s) even after washing.
17. Combustible materials, gasoline, and other flammable vapors and liquids must not be stored near the dryer.
18. Do not place items exposed to cooking oils in your dryer. Items contaminated with cooking oils may contribute to a chemical reaction that could cause a load to catch fire.
19. Do not climb or sit on top of the dryer.
20. To reduce the risk of fire or electrical shock, DO NOT use an extension cord or an adapter to connect the dryer to the electrical power supply.
21. The dryer must only be used for its intended purpose.
22. Always check pockets and remove any objects. Cigarette lighters are particularly hazardous.
23. Do not operate until worn out power cords and/or loose plugs are replaced.
24. Do not operate the dryer if any guards and/or panels have been removed.
25. Do not operate the dryer if any parts are missing or broken.
26. Do not bypass any safety devices.
27. Do not use a plastic or non-metal flexible duct with this dryer. Plastic or non-metal flexible duct are a potential fire hazard.
28. Do not operate this dryer until you are sure that the dryer has been installed according to the INSTALLATION INSTRUCTIONS and that installation and grounding are in compliance with all local regulations and/or other applicable regulations and requirements.
29. Failure to install, maintain and/or operate the dryer according to the manufacturer's instructions may result in injury and/or damage.
30. **BEFORE THE APPLIANCE IS REMOVED FROM SERVICE OR DISCARDED, REMOVE THE DOOR TO THE DRYING COMPARTMENT.**
31. To avoid floor damage and mold growth, do not let spills or splashout cause standing water around or under the appliance.
32. No other fuel-burning appliances shall be installed in the same closet as the dryer.
33. Removing any panel, including the round service panel in the front can expose sharp edges and points, electrical connections and hot surfaces.

Notes:

- A The IMPORTANT SAFEGUARDS and WARNINGS presented in this manual do not cover all possible conditions that may occur. Common sense, caution and care must be exercised when installing, maintaining or operating the dryer.
- B Always contact your dealer, distributor, service agent or the manufacturer about any problems or conditions that you do not understand.
- C Follow also the Safety Information in the INSTALLATION INSTRUCTIONS and the OPERATING INSTRUCTIONS.

GROUNDING INSTRUCTIONS

This appliance must be grounded. In the event of malfunction or breakdown, grounding will reduce the risk of electric shock by providing a path of least resistance for the electric current. This appliance is equipped with a cord having an equipment-grounding conductor and a grounding plug. The plug must be plugged into an appropriate outlet that is properly installed and grounded in accordance with all local codes and ordinances.

For the State of Massachusetts Installations:

1. Installation must be performed by a licensed plumber or gas fitter licensed by the state, province or region where this appliance is being installed.
2. Shut-off valve must be a "T" handle gas cock.
3. Flexible gas connector must not be longer than 36 inches.

WARNING

Improper connection of the equipment grounding conductor can result in a risk of electric shock. Check with a qualified electrician or service person if you are in doubt as to whether the dryer is properly grounded.

DO NOT modify the plug provided with the appliance – if it will not fit the outlet have a proper outlet installed by a qualified electrician or exchange the cord with an appropriate one rated for the dryer.

KEEP THESE INSTRUCTIONS FOR FUTURE REFERENCE.

In case of change of ownership, manual should be conveyed with the dryer.

SAVE THESE INSTRUCTIONS!

INSTALLATION INSTRUCTIONS

Introduction

Read these installation instructions completely and carefully. They will save you time and effort and help to ensure optimum dryer performance. Be sure to observe all listed warnings and cautions.

These installation instructions are intended for use by qualified installers. In addition to these instructions the dryer must be installed:

- In the **U.S.A.**, in accordance with the National Electric Code, ANSI/NFPA70 – latest edition/State and Municipal codes and/or local codes.
- In **Canada**, in accordance with the Canadian Electric Code C22.1 – latest edition/Provincial and Municipal codes and/or local codes.

The gas installation must conform with local codes, or in absence of local codes, with the National Fuel Gas Code, ANSI Z223.1/NFPA 54 or the CAN/CSA-B149.1, Installation Codes.

Note:

This gas dryer has been UL and C–UL listed for safe operation up to a height of 7,700 ft. without any modifications to components for natural or propane gas.

Information concerning waste disposal

Disposal of the packaging

WARNING!

Keep children away from shipping carton and packaging components. Danger of suffocation from plastic foil and folding cartons.

All packaging materials are environmentally friendly and can be reused. Please dispose of packaging in an environmentally friendly manner.

Please ask your dealer or inquire at your local authority about current means of disposal.

Disposal of the appliance

WARNING!

If appliance is no longer usable, pull out main plug, cut off power cord and discard with main plug.

To prevent children from locking themselves in the appliance, remove the door.

Old appliances are not worthless rubbish! Valuable raw materials can be reclaimed from environmentally friendly recycling.

Please ask your dealer or inquire at your local authority about current means of disposal.

Before installing the dryer

Unpacking the appliance

CAUTION!

The dryer is very heavy. Do not lift it by yourself. Do not lift the appliance by projecting components (e.g. door) – due to risk of breakage.

CAUTION

Remove the appliance packaging carefully to prevent damage to the surfaces.

Check the dryer for transportation damage. Do not connect a dryer which is visibly damaged. If in doubt, contact your dealer.

Supplied components

CAUTION

After removing the packaging, immediately remove any objects from the drum.

The dryer is delivered as a complete unit. The operating instructions and supplied accessories can be found in the drum.

Installation location

WARNING!

Do not install the dryer:

- outdoors,
- in an environment with dripping water,
- near flammable materials,
- in rooms which are at risk of frost,
- in rooms which may contain gas or other fuels,
- in cupboards with lockable doors or in alcoves.
- with other fuel-burning appliance in the same closet.

The installation room must be well ventilated, otherwise the dryer will operate below optimum performance.

Do not operate the dryer at temperatures above 104 °F (40 °C) and below 41 °F (5 °C). Low temperatures affect the automatic program sequence and may prolong the drying times.

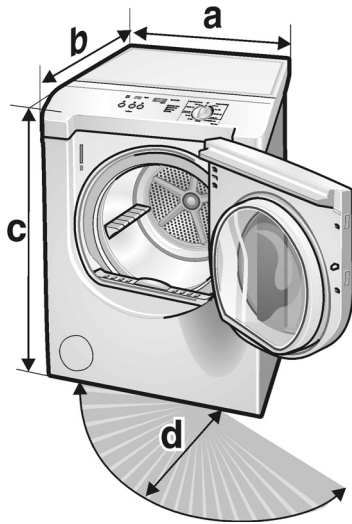
The installation surface for the dryer must be clean, level and firm. Do not install the appliance on carpets! Compensate for uneven floors with the height-adjustable feet.

Install the dryer and level side to side and front to back. Use a bubble level. Never remove the height-adjustable feet!

The size of the installation area depends on the dimensions of the dryer. Ensure that there is adequate room for the swivel range of the door!

⚠ WARNING! ⚠

If installed in a garage, the dryer must be installed on a substantial platform at least 18 inches above the floor to reduce the likelihood of igniting flammable vapors and be located or protected so it cannot be damaged by a moving vehicle



Dimension		Weight
a	27.0" (686 mm)	125 lbs (56 kg)
b	31.8" (808 mm)	
c	37.2" (945 mm)	with packaging
d	19.7" (500 mm)/ angle 170–180°	143 lbs (64 kg)

If installing the dryer in a closet, observe the minimum distances according to the following table:

Minimum Installation Clearances

	Closet
Sides	0" (0 mm)
Top	12" (305 mm)
Rear*	0" (0 mm)

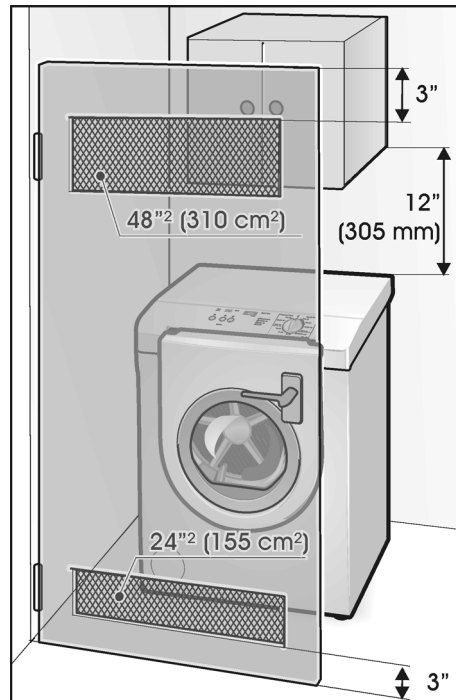
* as close to wall as gas-piping and venting will allow.

Important information concerning minimum distances:

- Depending on the location of the exhaust air connection, an

additional minimum distance of 5½ inch (14 cm) must be provided on this side for pipes/brackets (see page 9).

- Distances above the indicated minimum dimensions reduce the risk of mold formation behind the appliance.
- Additional distances reduce noise transmission.
- Additional distances facilitate installation and service.



- If the dryer is installed in a small room, the doors of the room must be fitted with vents of a specified minimum size.

The dryer door is delivered with hinges on the right. If required, the door hinges can be switched to the left side.

If the door hinges are to be changed over, please contact your dealer or our customer service team (see page 21).

Electrical connection

GROUNDING INSTRUCTIONS

This appliance must be grounded. In the event of a malfunction or breakdown, grounding will reduce the risk of electrical shock by providing a path of least resistance for the electric current. This appliance features a cord with an equipment-grounding conductor and a grounding plug. The plug must be plugged into an appropriate outlet which has been properly installed and grounded in

accordance with all local regulations and ordinances.

⚠ WARNING ⚠

Improper connection of the equipment grounding conductor may result in electric shock. Have the appliance checked by a qualified electrician or service technician if you are in doubt as to whether the dryer has been properly grounded.

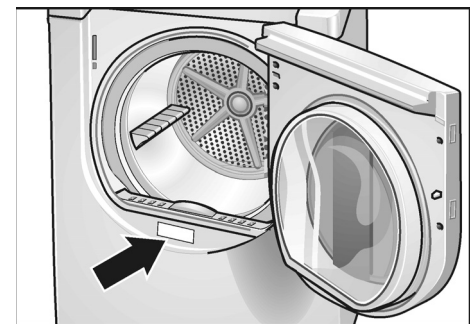
Do not modify the plug provided with the appliance – if it will not fit in the outlet, have a proper outlet installed by a qualified electrician or exchange the cord with an appropriate one rated for the dryer.

⚠ WARNING ⚠

The dryer must only be connected to an individual branch circuit via a socket which has been properly installed and grounded.

The household electrical voltage must correspond to the voltage specification on the dryer (rating plate).

You will find the rating plate on the inside of the front panel.



Connection specifications as well as the electrical requirements are stipulated on the appliance nameplate.

Make sure that:

- the power cord plug fits into the socket.
- the power cord is acceptable for use in this application.
- the grounding system is properly installed.

The power cord may be replaced by an electrician only. Replacement power cords are available from Customer Service.

Volts	Hertz	Amperes	Watts
110–120	60	9	1080

Gas connection

WARNING

Explosion hazard!

Use a new AGA or CSA approved gas supply line.

Install a shut-off valve.

Securely tighten all gas connections.

Have a qualified person make sure gas pressure does not exceed 14 in. W.C./ 3.49 kPa/ 0.506 psig. (Natural and Propane Gas).

Example of a qualified person include:

- licensed heating personnel,
- authorized gas supplier personnel,
- authorized service personnel.

Failure to do can result in explosion or fire.

Risk of death or injury!

All gas line connections must be tested for leaks prior to appliance operation. Apply soapy water to gas line connections and check for formation of new bubbles. Bubbles indicate leak!

When installing the gas supply to the gas dryer inlet pipe, do not exceed 310 lbf in (35 Nm).

WARNING

Never use an open flame to test for gas leaks.

Gas type

This gas dryer when equipped for use with NATURAL GAS, will employ an orifice size 46 and have a gas outlet pressure of 3.5 in. W.C. This gas dryer when equipped for use with PROPANE GAS, will employ an orifice size of 1.21 mm, and have a gas outlet pressure of 11 in. W.C.

Your dryer must have the correct valve for the type of gas in your home. Valve information is located on the rating plate behind the door below the drum. If the rating-plate information does not agree with the type of gas available, contact your dealer or our customer service team (see page 21).

Gas supply line

$\frac{1}{2}$ " I.D. pipe is recommended.

$\frac{3}{8}$ " approved tubing is acceptable for lengths under 20 ft (6.1 m) if local codes and gas supplier permit.

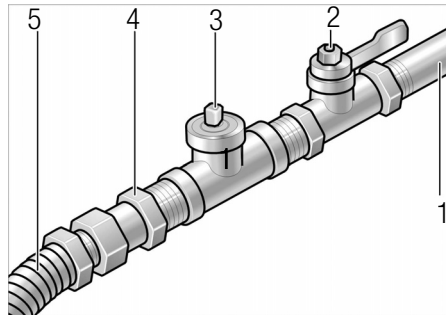
Must include $\frac{1}{8}$ " NPT plugged tapping, immediately upstream of the gas connection.

A shut off valve must be included:

- **USA:**
An individual manual shut-off valve must be installed within 6 ft (1.8 m)

of the dryer in accordance with the National Fuel Gas Code, ANSI Z223.1.

- **Canada:**
An individual manual shut-off valve must be installed in accordance with the B149, Installation Codes, CAN/CSA B149.1 and CAN/CSA B149.2. It is recommended that an individual manual shut-off valve be installed within 6 ft (1.8 m) of the dryer.



- 1 – $\frac{1}{2}$ " NPT gas supply line
- 2 – Gas shut-off valve
- 3 – $\frac{1}{8}$ " NPT plugged tapping
- 4 – $\frac{3}{8}$ " pipe to flare adapter fitting
- 5 – $\frac{3}{8}$ " flexible gas connector (to the dryer)

The shut-off valve should be easy to reach for opening and closing.

Note:

The dryer must be checked for proper operation whenever the gas connections have been broken.

Dryer gas pipe

The gas pipe that comes out through the rear of the dryer has a $\frac{3}{8}$ " male pipe thread.

Connection of the dryer

CAUTION

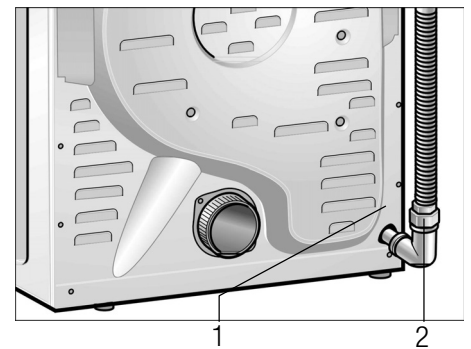
Connection must be made by a qualified technician. The dryer must be disconnected from the gas supply piping system during testing pressure. When using for the first time make sure that there is no air in the piping system.

WARNING

Do not use copper pipes and tubing if connected to natural gas.

The connection may be different, according to the supply line type, size and location.

If local codes permit, use a flexible stainless steel connector (Design certified by the America Gas Association or CSA International) to connect the dryer.



To reduce the distance between body sheet and wall install a $\frac{3}{8}$ " elbow on the gas pipe of the dryer.

- 1 – gas pipe ($\frac{3}{8}$ " male pipe thread)
- 2 – $\frac{3}{8}$ " elbow

Exhaust air connection

WARNING!

1. To reduce the risk of fire, this dryer **MUST BE EXHAUSTED OUTDOORS.**
2. To reduce the risk of fire, do not use ductwork longer than recommended.
3. **DO NOT** use a plastic or non-metal duct with this dryer.
4. **DO NOT** use a duct smaller than 4 inches in diameter.
5. **DO NOT** use exhaust hoods with magnetic latches.
6. **DO NOT** exhaust the dryer into a chimney, furnace cold air duct, attic, crawl space, or any other ductwork used for venting.
7. **DO NOT** install a flexible duct in an enclosed wall, ceiling or floor.
8. **DO NOT** crush or kink the duct.
9. Do clean and inspect the exhaust system on a regular basis; at least once a year.
10. The exhaust duct must terminate in a manner to prevent back drafts or entry of birds or other wildlife.

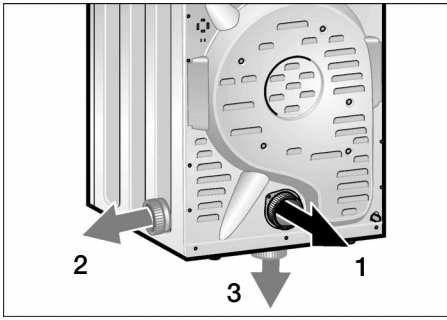
The Bosch dryer must be vented outdoors. To prevent build-up of moisture and accumulation of lint indoors, as well as to maintain maximum drying efficiency, it is recommended that the dryer is vented outdoors.

Exhaust air outlet on the dryer

The dryer is delivered with an exhaust air outlet on the rear of the appliance.

To take account of the spatial requirements and an existing exhaust air system, the following connection options are possible for the exhaust air outlet:

- on right side of the appliance,
- on the underside of the appliance.



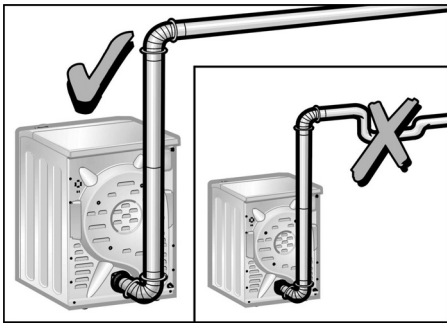
- 1 – Exhaust air outlet on the rear of the appliance (standard)
- 2 – Exhaust air outlet on the side (optional)
- 3 – Exhaust air outlet on the underside of the appliance (optional)

Special exhaust air connections must be obtained from our customer service for either connection type (see page 8).

- Side air exhaust
- Bottom air exhaust

A qualified technician should change the exhaust air outlet to the optional connection location.

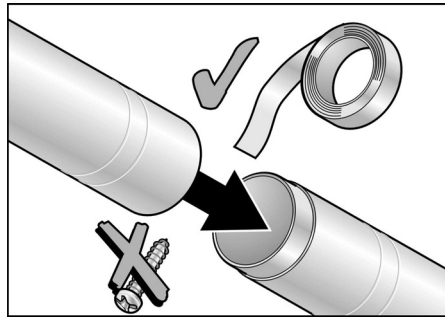
Ductwork



To ensure optimum performance, the ducting system of the dryer should be as short as possible with a minimum number of elbows. Your dryer will work best when the venting system has as few air flow restrictions as possible. Exhaust ducting which is longer than recommended may extend drying time, cause lint to accumulate and affect dryer performance and dryer life.

Four-inch (approx. 100 mm) diameter ducting should be used. Use either rigid metal or flexible metal ducting material. DO NOT use plastic or non-metal duct with this dryer.

DO NOT assemble the ductwork with screws or fasteners that extend into the duct. They will serve as an accumulation point for lint. Joints should be secured with aluminium tape.



All joints should be tight to avoid leaks. The male end of each duct section must point away from the dryer.

Whether connecting to an existing venting system or a new venting system, make sure that all ducting is clean and free of lint.

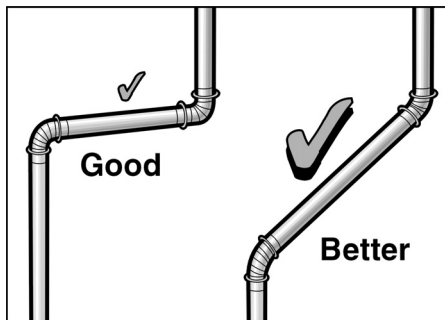
The maximum permitted length for both rigid and flexible metal duct is shown in the table below.

Number of 90° Turns or Elbows	Rigid Duct	Flexible Duct
0	66 ft. (2011 cm)	45 ft. (1372 cm)
1	56 ft. (1707 cm)	36 ft. (1097 cm)
2	48 ft. (1463 cm)	29 ft. (884 cm)
3	39 ft. (1189 cm)	22 ft. (671 cm)
4	30 ft. (914 cm)	16 ft. (488 cm)

Note:

Side and bottom exhaust installations have a 90° turn inside the dryer. To determine maximum exhaust length, add one 90° turn to the chart.

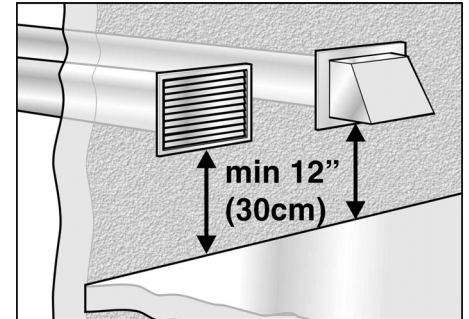
More than two 90° turns are not recommended. For best performance, separate all turns by at least 4 ft. of straight duct, including distance between last turn and exhaust hood.



Exhaust vent hood

The exhaust duct must end with an approved exhaust vent hood with swing out damper(s). DO NOT use an exhaust vent hood with magnetic latches.

To avoid exhaust restriction, the outlet must be a minimum of 12 inches (30 cm) above ground level or any other obstructing surface.



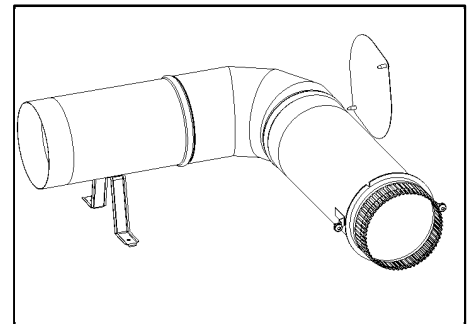
Required parts

The parts required for the exhaust air system (elbows, lines, exhaust air outlets) are not included in standard delivery of the dryer.

Accessories

The parts required for the exhaust air system can be obtained from customer service or your local dealer. Please follow the installation instructions supplied by the appropriate manufacturer!

Side exhaust kit



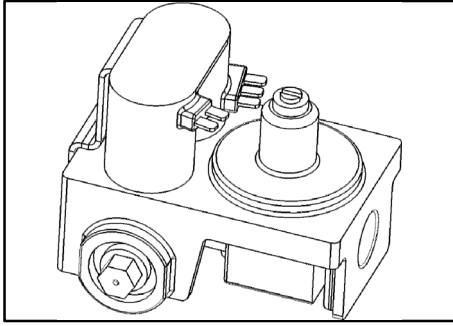
part no. **WTZ 1265**

Note:

The maximum permitted number of 90° elbows (including this side exhaust kit) is four!

- i** Special tool for cutting the hole in prepared side panel is required. Contact local dealer!

LP – Gas Kit



part no. **WTZ1280**

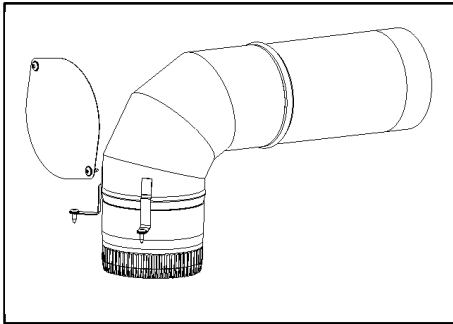
The parts required for the LP version can be obtained from your local dealer. Please follow the installation instructions supplied by the appropriate manufacturer!

If you have a propane gas dryer and need to convert it to natural gas, (Service Kit 496297) please consult your customer service agent for assistance.

Note:

Dryer must be checked for proper operation whenever the gas connections have been broken.

Bottom exhaust kit

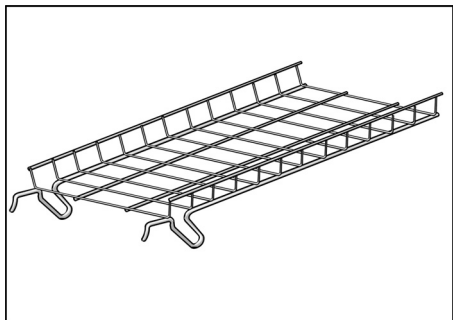


part no. **WTZ1270**

Note:

The maximum permitted number of 90° elbows (including this side exhaust kit) is four!

Dryer rack



part no. **WTZ 1290**

Use the dryer rack to dry washable woolen textiles (e.g. sweaters) and shoes.

Left hinge kit

part no. **WTZ 1260** (White Dryers)
part no. **WTZ 126S** (Silver Dryers)
The door catch can be reversed if necessary. The door is hinged on the right at the factory.

Pedestal Mounting Kit

part no. **WTZ 1295** (White Dryers)
part. no. **WTZ 1295S** (Silver Dryers)
If mounting the dryer on the pedestal follow the instructions supplied with the pedestal.

Mobile home kit

part no. **WTZ 1275**

Note:

Please check with the Authority Having Jurisdiction in your area to verify if a gas dryer can be installed in your mobile home. Once that has been verified, installation of the dryer shall conform to the Manufactured Home Construction and Safety Standard, Title 24 CFR, Part 3280 {formerly the Federal Standard for Mobile Home Construction and Safety, Title 24, HUD (Part 280)}, and/or Standard CAN/CSA-Z240 MH.

Please use mobile home kit number **WTZ 1275** for means to secure the dryer to the structure.

See page 9 “Exhaust Air Connection” for the exhaust duct installation instructions.

The exhaust duct must be securely fastened to a noncombustible portion of the mobile home structure and must not terminate beneath the mobile home.

An opening to the outside must be provided during installation. Insure that the free area of the opening for the introduction of outside air is not less than twice the area of the dryer exhaust outlet or use at least a 5 inch diameter exhaust or at least a 25 in² square exhaust duct for the opening.

Installation – step by step

1. Unpack the dryer.
2. Remove all objects from the drum.
3. Check the dryer for visible damage.
4. Position the dryer near the installation location.
5. If required, have customer service change the door hinges to the left (see page 6).
6. If required, have customer service install the exhaust air outlet on the dryer (see page 7).
7. Have the gas supply connected by an qualified technician (see page 7).

8. Install exhaust duct, if necessary. Follow the installation instructions supplied by the appropriate manufacturer!

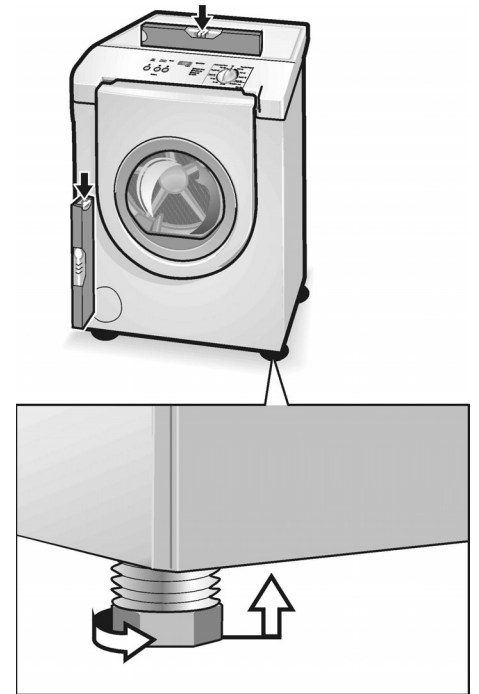
i If space is very restricted, it is recommended to fit the initial parts of the exhaust duct to the dryer before the dryer is moved to its final installation location.

9. Move the dryer to its final location and align.

CAUTION

Do not slide dryer across the floor if height-adjustable feet have been extended. Feet and/or dryer base may be damaged if dryer is slid across floor with height-adjustable feet extended.

10. Position and then level the dryer.



The dryer should be level with all four feet firmly on the ground. The dryer must not wobble. If the dryer is not level or if it does wobble, the feet must be adjusted. Adjust the height-adjustable feet until the dryer does not rock and is level, both front-to-back and side-to-side.

11. Connect the exhaust duct to the exhaust air outlet on the dryer.
12. Insert plug into the wall receptacle.

Check list before using the dryer

1. Check that steps 1–12 have been implemented properly.
2. Ensure that the dryer is connected to the power supply.
3. Open the shutoff-valve.
4. Read the operating instructions to understand how your dryer operates.
5. Conduct an appliance test:
 - Check that the drum is empty.
 - Close the dryer door.
 - Switch the dryer to “Extra Dry” and then press the Start button.
 - After 3–5 minutes press the Stop button and open the door.
6. If the interior of the dryer feels warm, the dryer has been connected properly. Switch the dryer to “Off”.
7. If the dryer does not work, switch the dryer to “Off”. Look in the troubleshooting section (page 20) of the OPERATING INSTRUCTIONS and find the fault.

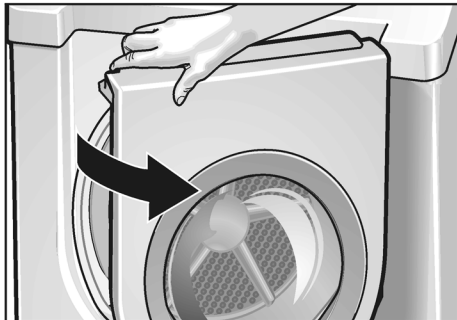
Preparing to transport the dryer – step by step

1. Close the shut-off valve.
2. Rotate the program selector to “Off”.
3. Pull out the power supply plug or turn off the circuit breaker.
4. Disconnect gas supply
5. Disconnect the exhaust duct from the exhaust air outlet on the dryer.
6. Place any accessories in the drum.
7. Close the door and secure with adhesive tape.
8. Screw the height-adjustable feet of the dryer into the housing to prevent them from being damaged during transportation.

OPERATING INSTRUCTIONS

Your new dryer

Open the door (colored marking)



....and close the door.

Lint filter



Access panel located on the bottom left corner of the dryer is for **Service Access Only**.

Control Panel

Start/Stop button

Starts, interrupts and ends the drying process.

Buttons for Options (in addition to the program if required). See page 15.

delicates low temp.

Press for temperature-sensitive textiles (e.g. acrylic fibers). The temperature of the drying process is reduced, the drying time is extended correspondingly.

Signal

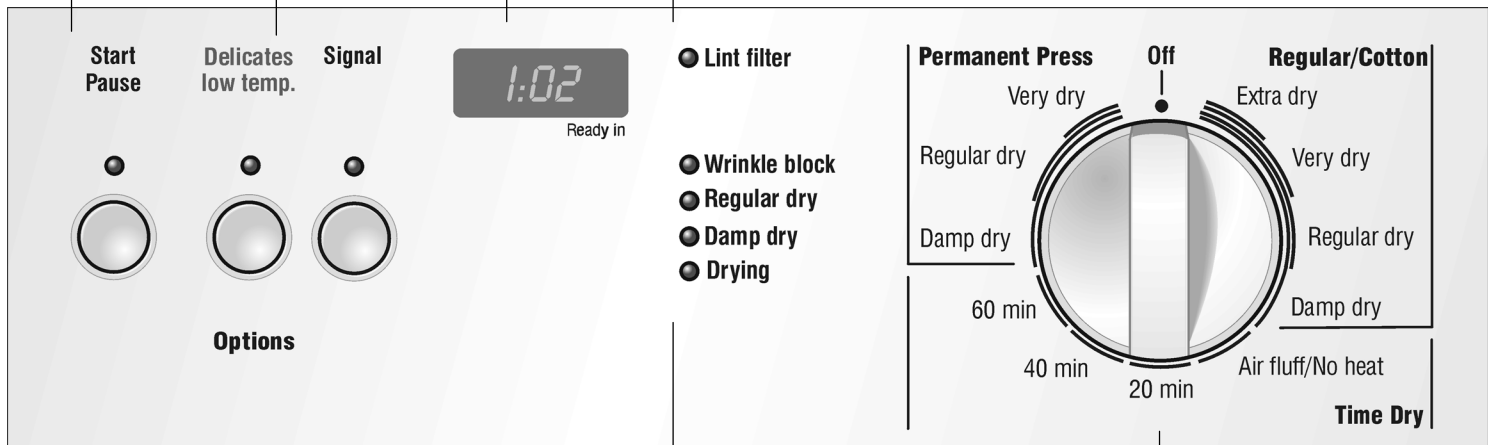
An acoustic signal indicates the end of the program.

Display

Indicates the estimated remaining time of programs.

Is an Indicator

Serves as a reminder to clean the lint filter.



Program selector

Selects a program. See page 18 Can be rotated in both directions.

To switch off the dryer, rotate the program selector to "Off".

Indicator lights (LED)

Indicate the current state of the drying process.

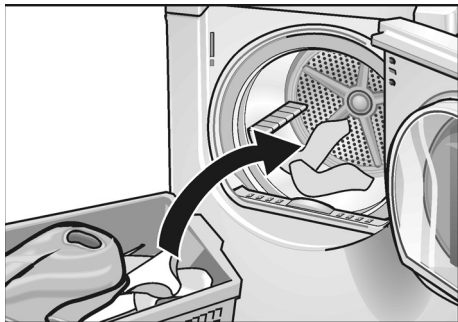
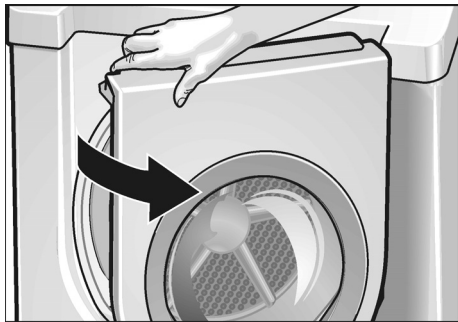
Summary of instructions

CAUTION

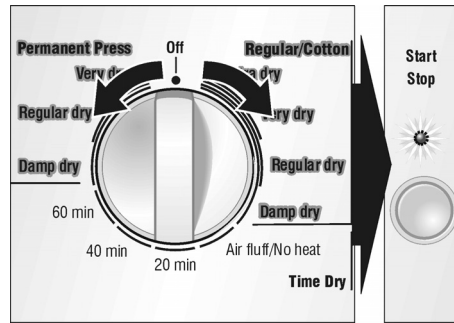
Before using your dryer read and follow all installation and operating instructions.

Preparing the dryer

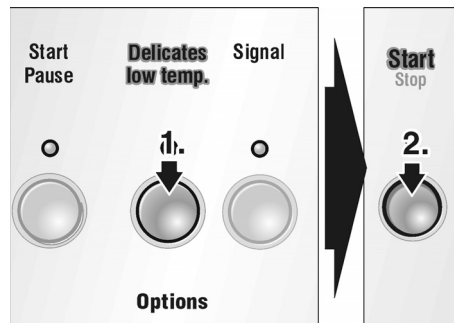
i Check the lint filter. The filter should be cleaned before and after every drying process.



Selecting a program

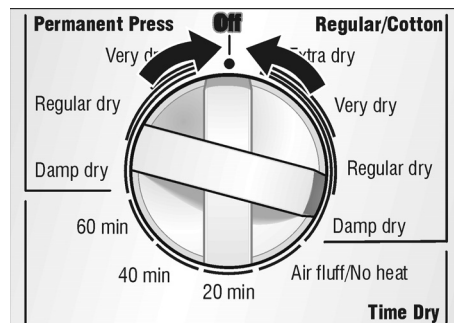


Choose an option...



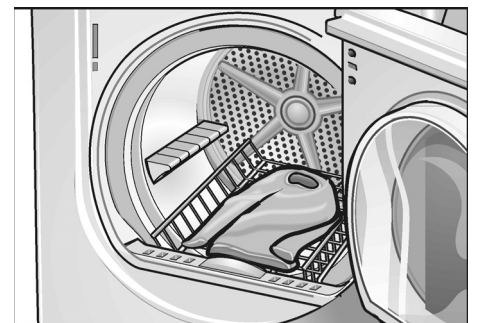
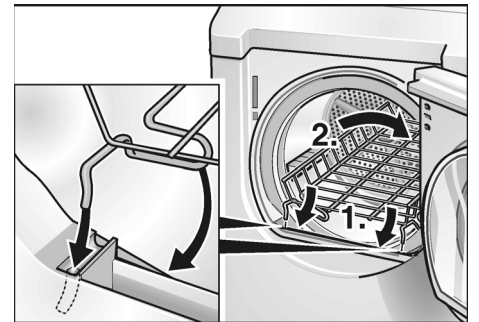
...and start the dryer.

Switch off the dryer



Using the dryer rack

(Option, see page 8)



Safety information

WARNING

Always follow the **IMPORTANT SAFETY INSTRUCTIONS** (see page 3).

WARNING

TO AVOID EXPLOSION HAZARD!

Keep flammable materials and vapors, such as gasoline, away from the dryer.
Do not dry anything that has ever had anything flammable on it (even after washing).
Do not dry anything that has ever had any type of oil on it (including cooking oils).
Items containing foam, rubber or plastic must be dried on a clothes-line or by using an Air fluff/No heat-cycle.
Do not allow items containing flammable materials, such as lighters, to remain in clothes while drying.
Failure to follow these instructions may result in explosion or fire.
To avoid risk of death or injury!

Use the dryer only in the house or the garage for drying normal amounts of laundry for the household.

Use only for drying textiles which were washed with water.

Never operate the dryer without the front cover plate in place.

Before switching on the dryer

Install the dryer in accordance with the installation instructions (from page 5).

Do not use a dryer which is visibly damaged. If in doubt, contact your dealer.

Using the dryer

Do not leave children unsupervised near the dryer.

Keep pets away from the dryer. Before closing the door, check the contents of the drum.

Remove all objects from pockets. Lighters are particularly hazardous.

Risk of explosion!

Switch off the dryer at the end of the program.

Protecting the dryer

Do not climb on the dryer.

Do not lean or sit on the door.

Risk of dryer tipping over!

Do not store or use solvent detergent boosters or stain remover in the vicinity of the dryer.

The dryer could be damaged.

Do not lift the dryer by projecting components.

Risk of breakage!

Protection of the environment

Tips on saving energy

To save energy, money and time,

Bosch recommends the following:

- **Drain the laundry thoroughly!**
Before drying, spin the laundry thoroughly in the washing machine. Use the highest possible spin speed for the type of laundry! Higher spin speeds reduce the drying time and the energy consumption.
- **Use optimum load!**
Use maximum recommended loads. However, do not exceed loads.
- **Clean filter!**
Clean the filter before and after each drying process (see page 23).
- **Ventilate the room!**
During the drying process provide an adequate supply of fresh air.
- **Do not dry unsuitable materials!**
Do not dry rubberized or air-tight items.
- **Do clean and inspect the exhaust system on a regular basis!**
Blockages may extend drying time.

Before using the dryer for the first time

Before you use the dryer for the first time:

1. Read these operating instructions carefully.

2. Check that the supply voltage corresponds with the voltage specifications on the rating plate of the dryer, see picture page 21
3. Check that the gas type corresponds with specifications on the rating plate of the dryer, see picture page 21.
4. Have a qualified person make sure gas pressure does not exceed 14 in. WC/ 3.49 kPa / 0.506 psig (Natural and Propane Gas).
5. Remove all objects from the drum.
6. Check the dryer for visible damage. If damages found contact your dealer.
7. Wipe the inside of the drum with a damp cloth.
8. Conduct an appliance test, see page 10.
9. If the dryer does not work, switch the dryer to "Off".
Look in the troubleshooting section (page 20) of the operating instructions and find the fault.

Temporary disconnection of the dryer

Operate your dryer only when you are at home. If you intend going on vacation or are not using your dryer for an extended period of time, you should:

1. Turn off the circuit breaker.
2. Close the shut-off valve.
3. Pull out the power supply plug if possible.
4. Clean the lint filter.

Laundry

Identification of fabrics

Observe the treatment symbols on the textile labels. They provide valuable information as well as limitations about the drying process.

Do not dry the following textiles in the dryer:

- Air-tight textiles (e.g. rubberized)
- Delicate fabrics (silk, synthetic curtains)

i Dry woolen or wool-rich textiles with dryer rack only!

i Use the time program “Air fluff/No heat” to dry articles containing foam rubber or similarly textured rubber-like materials.

Drying tips

In principle, the following applies to all drying programs:

- To ensure a uniform drying result, sort the laundry according to fabric type and drying program.
- Fasten zippers, hooks and eyes. Fasten loose belts, apron strings, etc..
- Do not overdry easy-care laundry – risk of wrinkling! Leave laundry to dry in the air.
- Do not iron laundry immediately after drying. Place the laundry in a pile for a short while. Residual moisture will then be distributed uniformly.
- Knitted textiles (e.g. T-shirts, cotton jersey laundry) often shrink when dried for the first time. Do not use the “Very dry/Extra dry” program.

Program selection

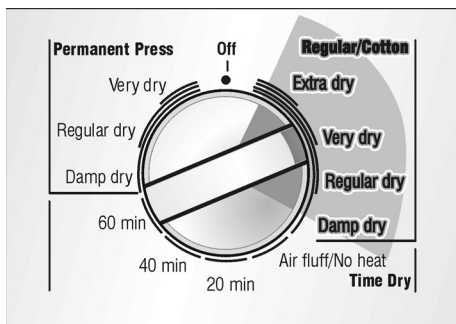
For optimum drying results your dryer offers several program groups and additional options.

Select the required drying program from the program table according to the examples (see page 16).

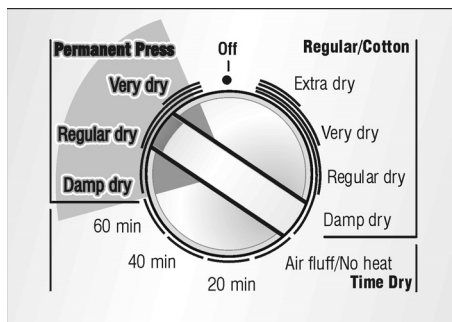
Automatic programs

There are automatic programs for different types of textiles. (Regular/Cotton or Permanent press).

Regular/Cotton

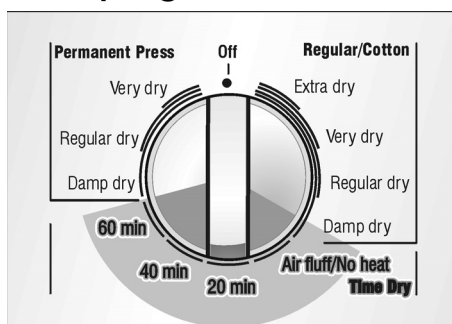


Permanent Press



The program sequence of automatic programs is controlled via sensors. The duration of the program depends on the measured degree of moisture in the laundry and on the selected degree of dryness (e.g. Damp dry or Extra dry).

Time programs

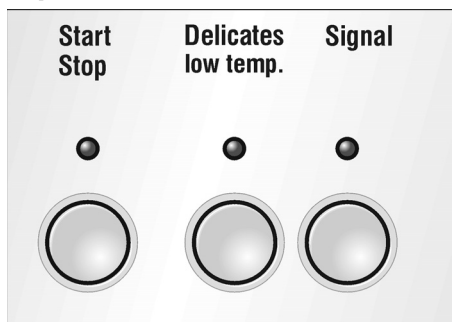


Time programs run for a specific time (20, 40, 60 minutes).

In the “Air fluff/No heat” stage the dryer runs on ambient air without a heat supply for 20 minutes.

i Dry woolen or wool-rich textiles with dryer rack only!

Options



Delicates low temp.

Press the “Delicates low temp.” button for temperature sensitive textiles. Observe the care information or symbols on the textiles. The temperature of the drying process is reduced, the drying time is extended.

Signal

Your dryer outputs different signals, if the “Signal” button is pressed.

Signal	Type
Start	Short tone
End	Sequence of short tones
Mal-operation	Sequence of long tones
Warning of malfunction	Sequence of long tones

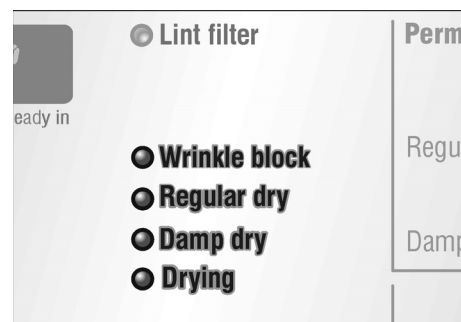
i The signal “Warning of malfunction” is active in any case.

Indicator of program sequence

The dryer uses an electronic scanning system for all programs except the time programs. A moisture sensor continuously checks the moisture in the laundry. Drying ends automatically as soon as the selected degree of dryness has been reached.

The drum continues to rotate at specific intervals for one hour to prevent creasing.

The current degree of drying and the level reached during the program sequence is indicated via indicator lights (Drying, Damp dry, Regular dry, Wrinkle block).



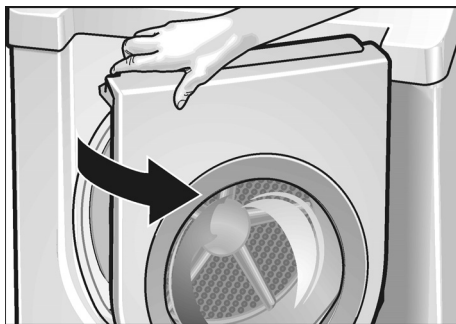
i If the indicator light “Wrinkle block” illuminates when the program selector is in Off-Position – turn off the circuit breaker and call for customer service!

Program selection table

Automatic programs		
For Cottons and coloreds made of cotton or linen. Press "Delicates low temp." button for temperature-sensitive textiles.		"Regular/Cottons" Automatic program
Bed linen, table linen, towels	For laundry, which is to be ironed	Damp dry
Bed linen and table linen, towels, T-shirts, sports shirts, overalls		
T-shirts, sports shirts, dresses, trousers, overalls, underwear		
Terry towels, kitchen towels, hand towels, bed linen, underwear, cotton socks	which is not to be ironed	Regular dry
Terry towels, kitchen towels, hand towels, bed linen, underwear, cotton socks	which is not to be ironed, thick multi-ply	Very dry
Terry bathrobes and terry bed linen,	which is particularly thick or multi-ply	Extra dry
Easy-care (drip-dry) laundry made of synthetic and blended fabric, cotton e.g. polyester Press the "Delicates low temp." button for very temperature-sensitive textiles.		"Permanent Press" Automatic program
	For laundry,	
Trousers, dresses, skirts, shirts, blouses, leggings, sports clothing with synthetic-rich fibers, lingerie	which is not to be ironed or only lightly ironed	Damp dry
Shirts, blouses, sports clothing	which is not to be ironed	Regular dry
Bed linen and table linen, track suits, comforters, blankets	which is not to be ironed, thick multi-ply	Very dry
Time programs		"Time Dry"
Pre-dried textiles with low moisture content, individual small items, e.g. bath towels, bathing suits, dish cloths. For the smallest loading condition from 0.22 lb – 0.44 lb (i. e. one small towel), for this a time dry program should be selected Press the "Delicates low temp." button for temperature-sensitive textiles . – Cottons and coloreds made of cotton or linen. – Temperature-sensitive textiles.		20, 40, 60 min 20, 40, 60 min
Freshening or airing little worn items of clothing and drying of extreme sensitive textiles. For all textile types inclusive foam rubber (e.g. pillows, stuffed toys), plastic (e.g. shower curtains, table clothes), rubber (e.g. backed rugs), sheer nylon, polypropylene.		Air fluff/No heat

Operation

Using the dryer

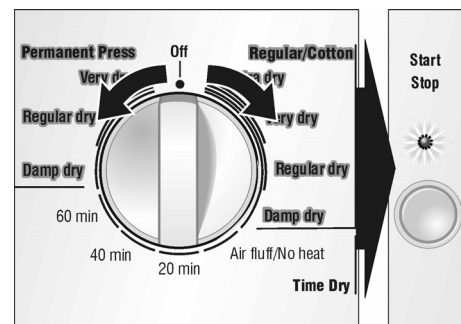


1. Open the door.



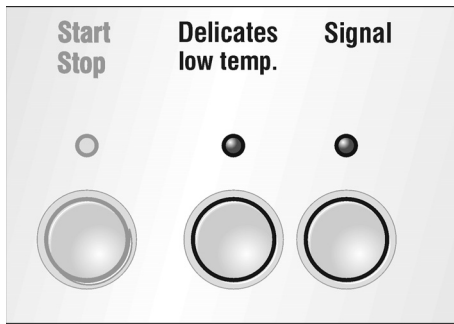
2. Check lint filter.

The filter should be cleaned after and before every drying process. Cleaning the filter reduces the drying time and saves energy.

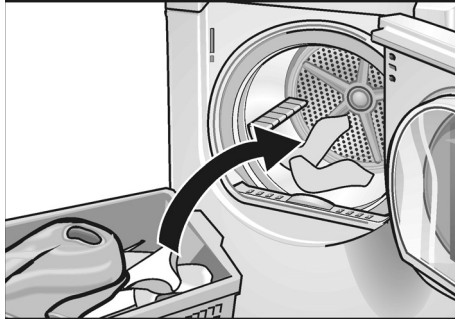


3. Rotate program selector to the desired program.
Select the program which corresponds to the laundry in the dryer from the program selection table (see page 16).
The dryer light turns on inside the drum.

i The "Start/Stop" indicator light starts flashing.



- If required, select "Option" by pressing the button. The "Options" are explained on page 15.



- Place laundry in the empty drum. Put each piece of laundry into the machine separately. For best results the laundry to be dried must be sorted according to type of laundry and desired degree of drying. For further information see page 14.

i Observe drying symbols of the laundry manufacturer. If drying woolen clothing and shoes, see the information on page 17.

Ensure that there is only laundry in the drum. Check that all items are completely in the drum.

- Close the door.

The "Start/Stop" indicator light continues flashing.

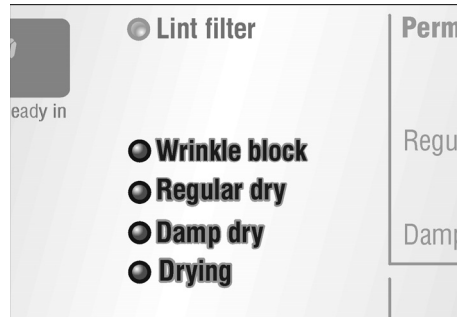
i If the door has not been closed properly, the dryer will not start.



- Press the "Start/Stop" button. The "Start/Stop" indicator light illuminates.

i The program starts with an acoustic signal (if set).

If a standard program has been selected, the indicator lights indicate the progress of the program sequence.

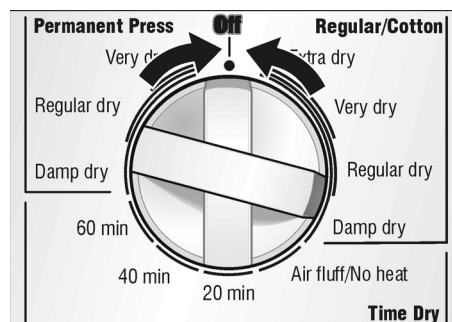


i At program end an acoustic signal is emitted (if set) and the LED "Wrinkle block" illuminates.

i When the drying process is complete (program or selected time program ended), the drum rotates at specific intervals for 1 hour. This prevents the laundry from creasing. The laundry remains loose and fluffy until it is removed. The laundry should be removed before this time has elapsed.



- Open the door.
- Take the laundry out of the dryer.



- Rotate the program selector to "Off". The dryer light goes out.

11. Clean the filter. The filter should be cleaned after each drying process. Cleaning the filter reduces the drying time and saves energy.

- Close the door.

Using the dryer rack

(Option, see page 9)

Use the dryer rack to dry washable woolen textiles (e.g. sweaters) and shoes. The dryer rack remains stationary while the drum rotates. Damp wool should not be moved, as it has a tendency to matt. Drying shoes without a rack could damage the drum.

⚠ CAUTION ⚠

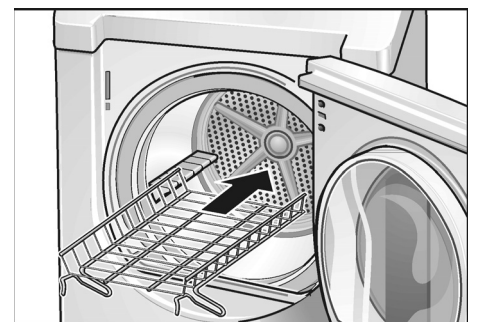
Dry only one item of clothing or one pair of shoes – maximal dry load 2.2 lbs (1 kg)! The laundry must have been spun! Only dry prewashed shoes! The laundry must not touch the drum! It could jam and be damaged. After using the dryer rack, take it out of the dryer immediately.

Inserting the dryer rack

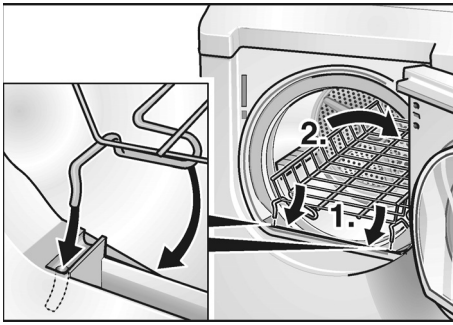
- Open the dryer door.
- Check that the drum is empty.



- Remove the lint filter.



- Lift the dryer rack horizontally into the drum.



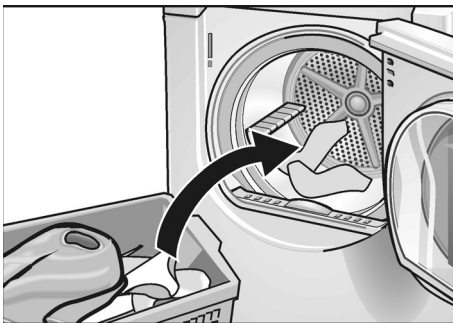
- Place the dryer rack so that the catches are inserted at the front in the locating holes.



- Insert the lint filter. The lint filter must be inserted flush with the drum edge!

Drying laundry items on the dryer rack

- Fold laundry to fit the dryer rack.

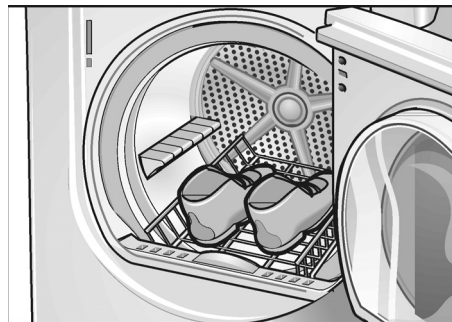


- Place laundry loosely on the basket. Do not crush! Laundry must not touch the drum! Do not allow items to hang over the dryer rack!
- Close the door.
- Follow directions for time program on next page.

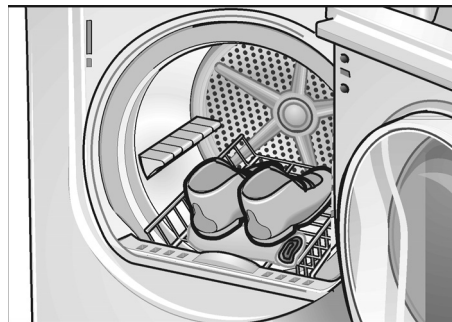
Drying shoes on the dryer rack:

- Prepare shoes.
 - Loosen or remove shoe-laces.
 - Remove insoles and heel pads.

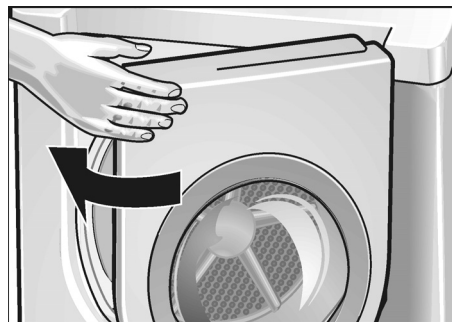
- Loosen or remove shoe-laces.
- Remove insoles and heel pads.



- Place shoes on the rack.
 - Directly on the dryer rack
 or

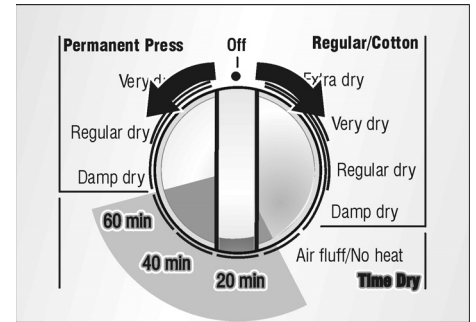


- Roll up a towel and place the heels of the shoes on the towel. This will ensure a more uniform drying result.



- Close the door.

Choose a time program



- Rotate program selector to "Time dry/.... min."

- Select the drying time from the following table according to the laundry type.

Laundry type	Required drying time
Thin woolen pullover (approx. 0.8lbs/350 g)	80 min. (e.g. 60 + 20 min)
Thick woolen pullover (approx. 1.9lbs/850 g)	90–120 min. (e.g. 60 + 40 min)
Skirt	60–90 min.
Trousers	60–90 min.
Small items (e.g. gloves)	30 min.
Shoes	30 min.

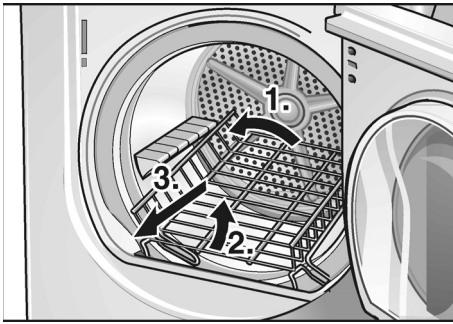
- Press the "Start/Stop" button. The "Start/Stop" indicator light illuminates.

- If the item of clothing still contains residual moisture after the indicated drying time:
 - Fold the item of clothing so that the damp parts are on the outside.
 - Restart the program and reduce the drying duration depending on the degree of residual moisture.

- Restart the program and reduce the drying duration depending on the degree of residual moisture.

- After drying, spread out the laundry at air for approx. 15 min. (shoes for approx. 30 min.).

- Remove the lint filter.



6. Take the dryer rack out of the drum.



7. Re-insert the lint filter.

Cleaning and care

Cleaning the dryer



WARNING

TO AVOID RISK OF EXPLOSION!
Never use solvents or highly flammable liquids for cleaning.

CAUTION

Incorrect cleaning may damage the dryer. Do not spray with a water jet. Do not use scouring agents or all-purpose cleaners. Do not use steam cleaners.

Wipe the housing and fascia with a soft cloth and soapy water only.

Wipe the drum, door seal and inside of the door with a damp cloth only.

Cleaning the lint filter

A dirty filter extends the drying time and increases energy consumption.

The filter should be cleaned before and after each drying process.

If a warning signal and an E01 warning message are emitted during a drying program, clean the filter immediately and check the exhaust duct.

i The program interrupts automatically.

1. Switch off the dryer. Program selector to "Off".



CAUTION

The inside of the door heats up during the drying process.

2. Open the door.

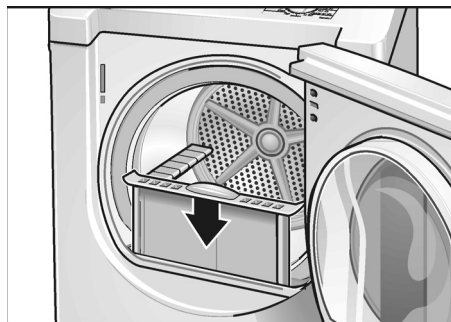


3. Remove the lint filter.



4. Remove lint by stroking your hand over the filter.

The filter should be lightly scrubbed twice a year with warm soapy water. The filter is cleaned when it no longer holds water. The filter must be dried thoroughly before being replaced.



5. Insert the filter.

6. Close the door.

Cleaning the exhaust duct

Inspect and clean the exhaust ducting at least once a year to prevent clogging. A partially clogged exhaust can lengthen the drying time.

- Turn off the circuit breaker
- Pull out power supply plug
- Close the shut-off valve.
- Disconnect the duct from the dryer.
- Vacuum and reconnect the duct.

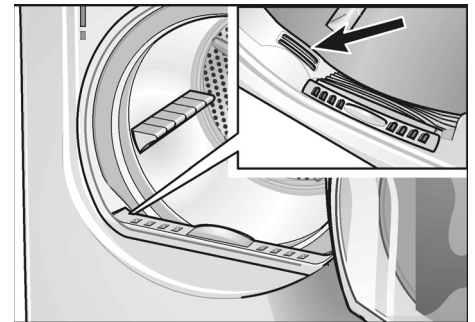


WARNING

Remove gas connection before moving the dryer to clean the duct. Be careful not to destroy the gas connection when cleaning the duct.

Cleaning the moisture sensor

The moisture sensor has to be cleaned because a fine layer of transparent buildup is deposited on the sensors.



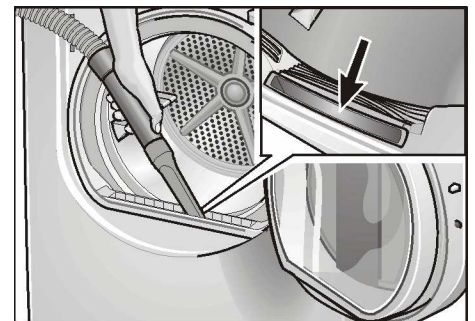
This deposit can easily be removed by wiping the sensors (the two bars next to the lint filter) with a cloth and a little white vinegar.

Use white vinegar only!

Clean the moisture sensor once a month.

Cleaning the bearing shield

Over time, fluff from the drying process collects in the bearing shield.



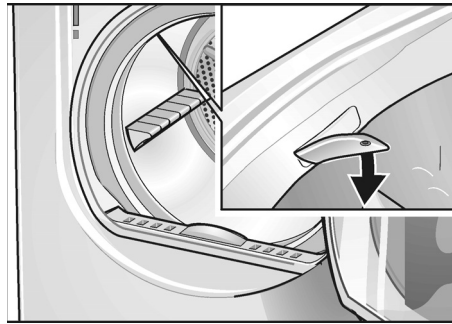
This fluff can be easily removed using your vacuum cleaner, at least once a month.

Change the light bulb

The dryer light turns on inside the drum when you open the door.

To change the light bulb:

- Set program selector to "off".
- Turn off the circuit breaker.
- Pull out power supply plug.
- Open the door and locate the light bulb on the upper left side of the seal.



- Loosen the screw of the cover and open the cover.
- Turn bulb counterclockwise. Replace the bulb with a new appliance bulb only (obtainable through parts department).
- Replace the cover and secure with the screw.
- Plug in dryer or reconnect power supply.

Troubleshooting



WARNING!

TO AVOID RISK OF ELECTRICAL SHOCK!
TO AVOID EXPLOSION HAZARD!

Repairs or replacement of parts may be carried out by authorized technicians only.

Before calling the customer service, check whether you can rectify the fault yourself by means of the following table.

If a fault cannot be rectified or a repair is required:

1. Set program selector to "Off".
2. Turn off the circuit breaker.
3. Pull the main plug out of the socket.
4. Close the shut-off valve.
5. Call customer service (see page 21).

Problem	Possible cause	Remedial action
Dryer does not start. "Start/Stop" indicator light does not illuminate.	Main plug not inserted at all or not inserted correctly.	Insert main plug correctly.
	A fuse of power supply has tripped.	Replace/switch on fuse.
	"Start/Stop" button not pressed.	Press "Start/Stop" button.
	No program selected.	Select program.
	Door not closed.	Close door.
Laundry is wet after drying.	Ambient temperature below 41 °F/5 °C.	Increase room temperature.
	The shut-off valve is closed.	Open the shut-off valve.
Program has been interrupted. A warning signal is emitted and the display shows "E:01".	Lint filter dirty.	Clean filter as described on page 19 Switch off/switch on again.
	Exhaust air duct is blocked or too long.	Clean exhaust air duct. Reduce exhaust air duct to maximum length as described on page 7 Switch off/switch on again.
	Fault in program sequence or malfunction.	Switch off dryer, leave to cool down for 30 min, switch on again. Restart program.
	The room/cabinet is not adequately ventilated.	Provide an adequate supply of fresh air. Switch off/switch on again.
Degree of drying has not been reached or the drying time is too long. Display may indicate "E:03".	Moisture sensor dirty.	Clean moisture sensor as described on page 19. Switch off/switch on again.
	Exhaust air duct is blocked or too long.	Clean exhaust air extraction. Reduce exhaust air duct to maximum length as described on page 7 Switch off/switch on again.
	Lint filter dirty.	Clean filter as described on page 19. Switch off/switch on again.
	Laundry was too wet.	Spin laundry at higher speed in the washing machine. Switch off/switch on again.
	Unsuitable program selected.	Select program with aid of the program selection table (see page 19). Switch off/switch on again.
	Maximum drying time was exceeded.	Clean lint filter (see page 19). Check exhaust air extraction. Spin laundry at a higher speed in your washer.
	Motor limit temperature was exceeded.	Switch off dryer, leave to cool down for 30 min. Switch on again. Start program.

Drum light does not function.	No program selected.	Select program.
	Light bulb defective, light bulb burned out.	Change light bulb, see page 20.
	No power supply.	Guarantee power supply.
	Light bulb is loose.	Tighten light bulb. Remove and reinstall the cover as directed on page 20.
"Start/Stop" indicator light does not illuminate "Wrinkle block" indicator lights. The display shows "000".	Fault in program sequence or malfunction.	Switch off dryer, leave to cool down for 30 min, switch on again. Restart program.
Lint filter LED is blinking after lint filter has been cleaned	Blinking of lint filter LED is not an indication of a problem. It is used only as a reminder.	No action required. Light will stop blinking.

SERVICE and REPAIR



CAUTION

CAUTION – Label all wires prior to disconnection when servicing controls. Wiring errors can cause improper and dangerous operation. Verify proper operation after servicing.

The Bosch dryers require no special care other than the care and cleaning noted above.

i If you are having a problem with your dryer, before calling for service please refer to Table on page 20, following.

If service becomes necessary, contact your dealer or installer or an authorized service center. Do not attempt to repair the appliance yourself. Any work performed by unauthorized personnel may void the warranty.

If you are having a problem with your Bosch dryer and are not pleased with the service you have received:

- First, please contact your installer or the Bosch Authorized Service Contractor in your area and explain to them why you are not satisfied. This will usually correct the problem.
- If after working with your installer or service person the problem still has not been resolved to your satisfaction, please let us know by either writing to us at,
BSH Home Appliances
5551 McFadden Avenue
Huntington Beach, CA 92649

or, calling us at

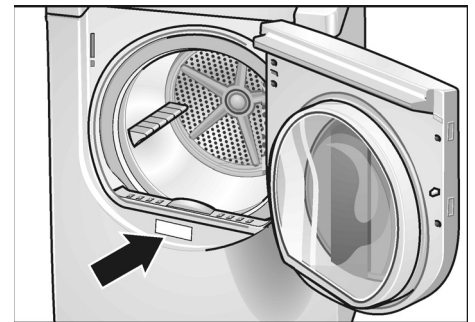
1-800-944-2904.

Please be sure to include, if writing, or have available, if calling, the following information:

- Model Number
- Serial Number
- Date of Original Purchase
- Date Problem Originated
- Explanation of Problem

Also, if writing, please be sure to include a daytime telephone number and a copy of the sales invoice.

You will find the model number and serial number information on the rating plate located on the inside of the front panel.



STATEMENT OF WARRANTIES BOSCH CLOTHES DRYERS

The warranties provided by BSH Home Appliances ("Bosch") in this Statement of Warranties apply only to Bosch

Clothes dryers sold to the first using purchaser by Bosch or its authorized dealers, retailers or service centers in

the United States or Canada. The Warranties provided herein are not transferable.

LENGTH OF WARRANTY	SCOPE OF WARRANTY
1 Year Full Limited Warranty From Date of Installation*	Bosch will repair or replace, free of charge, any component part that is proven defective under conditions of normal home use, labor and shipping costs included. Warranty repair service must be performed by an authorized Bosch Service Center.
2 Year Limited Warranty From Date of Installation*	Bosch will provide replacement parts, free of charge, for any component part that is proven defective under conditions of normal home use, shipping costs included, labor charges excluded.
2 Year Limited Warranty on Electronics From Date of Installation*	Bosch will repair or replace, free of charge, any microprocessor or printed circuit board that is proven defective under conditions of normal home use during the first through second year from the date of original installation, labor charges excluded.
2 Year Limited Warranty on Motor From Date of Installation*	Bosch will repair or replace, free of charge, any motor or component part of the motor that is proven defective under conditions of normal home use during the first through second year from the date of original installation, labor charges excluded.
* Date of installation shall refer to the earlier of the date the clothes dryer is installed or ten business days after the delivery date.	

Exclusions

This warranty does not cover service calls or repairs to correct the installation of the clothes dryer, to provide instructions on the use of your clothes dryer, to replace house fuses or correct plumbing or the electric wiring in your home or to repair any clothes dryer that's use was in a manner other than what is normal and customary for home use. In addition, the warranties provided in this Statement exclude any defects or damage arising from accident, alteration, misuse, abuse, improper installation, unauthorized service work, external forces beyond Bosch's control, such as fire, flood, and other acts of God, or installation not in accordance with local electrical and plumbing codes. Labor charges incurred in the repair or replacement of any clothes dryer after a period of one year from date of installation shall not be covered by this warranty. Any and all replaced and/or repaired parts shall assume the identity of the original for purposes of the applicable warranty period. TO THE EXTENT PERMITTED BY LAW, THIS WARRANTY IS IN LIEU OF ALL OTHER EXPRESS AND IMPLIED WARRANTIES, INCLUDING THE IMPLIED WARRANTIES OF MERCHANTABILITY AND FITNESS FOR A PARTICULAR PURPOSE. BOSCH DOES NOT ASSUME ANY

RESPONSIBILITY FOR INCIDENTAL OR CONSEQUENTIAL DAMAGES. TO OBTAIN WARRANTY SERVICE, CONTACT THE NEAREST BOSCH AUTHORIZED SERVICE CENTER OR CALL 1-800-944-2904, OR WRITE TO:

BSH HOME APPLIANCES CORP.,
5551 MC FADDEN AVENUE
HUNTINGTON BEACH
CA 92649.

BE SURE TO PROVIDE YOUR CLOTHES DRYER'S MODEL, SERIAL NUMBER, PURCHASE DATE AND THE SELLER'S NAME, ADDRESS. AND A COPY OF THE SALES INVOICE.

Table des matières

Définitions	24
INSTRUCTIONS DE SÉCURITÉ IMPORTANTES	25
Instructions de mise à la terre	26
Instructions d'installation	26
Introduction	26
Informations sur la mise au rebut	26
Avant d'installer le sèche-linge	27
Branchement électrique	28
Branchement du gaz	28
Raccordement du conduit d'échappement	29
Accessoires	31
Installation pas à pas	31
Check-list préalable à l'emploi du sèche-linge	32
Préparation pas à pas au transport du sèche-linge	32
INSTRUCTIONS D'UTILISATION	33
Présentation de votre nouveau sèche-linge.	33
Le bandeau de commande	34
Résumé des instructions	35
Informations de sécurité	36
Avant d'allumer le sèche-linge	36
Utilisation du sèche-linge	36
Protection du sèche-linge	36
Protection de l'environnement	36
Avant d'utiliser le sèche-linge pour la première fois	36
Débranchement temporaire du sèche-linge	37
Linge	37
Détermination de la nature du tissu	37
Conseils pour le séchage	37
Sélection du programme	37
Programmes automatiques	37
Programmes assortis d'une durée	37
Options	37
Indicateur de déroulement du programme	38
Tableau de sélection des programmes	38
Utilisation	39
Utilisation du sèche-linge	39
Utilisation du tiroir de séchage (option)	40
Nettoyage et entretien	41
Nettoyage du sèche-linge	41
Nettoyage du filtre à peluches	41
Nettoyage du conduit d'échappement	42
Nettoyage des capteurs d'humidité	42
Nettoyage de la flasque	42
Changer l'ampoule de l'éclairage	42
Dérangement et remèdes	43
SERVICE ET RÉPARATIONS	44
DECLARATION DES GARANTIES SECHE-LINGE BOSCH	45
Exclusions de garantie	45

Vous venez d'acheter un sèche-linge Bosch et nous vous en félicitons. Vous venez de faire le même choix que font tous les consommateurs attendant de leur sèche-linge des performances exceptionnelles.

Ce sèche-linge se conforme à la norme ANSI Z21.5.1 / CGA 7.1-2002 Appareils de séchage des vêtements Vol. 1.

Ce sèche-linge offre une caractéristique particulièrement intéressante: il consomme peu d'énergie.

Une philosophie de fonctionnement simple, tout un éventail de programmes de séchage personnalisés et un agréable retour haptique attestant de la robustesse de l'appareil font de ce dernier un assistant pratique au service de votre foyer.

Ce sèche-linge Bosch offre les caractéristiques standard suivantes:

- Système de séchage hautement efficace et précis.
- Grand tambour d'une contenance de 6,4 pieds cubes (181 litres), capable de recevoir jusqu'à 17,6 lbs (8 kg) de linge.
- Grand orifice d'accès (18"/457 mm), verrouillage de la porte avec fonction d'arrêt au de la porte.

- Fonctionnement extrêmement silencieux.
- Cycles automatiques contrôlés par des capteurs.
- Cycles chronométrés 20, 40 et 60 minutes

Chaque sèche-linge quittant notre usine a subi des tests complets de performances et se trouve en parfait état de marche. Si vous souhaitez formuler quelque question que ce soit notamment sur l'installation de votre sèche-linge, notre équipe du service après-vente se fera un plaisir d'y répondre.

Vous trouverez d'autres informations et tout un choix de nos produits sur le site Web suivant:
www.boschappliances.com

Information

Veillez s.v.p. lire et respecter l'intégralité de cette notice d'installation et d'utilisation, ainsi que toutes les informations qui ont été fournies avec ce sèche-linge.

PRUDENCE

PRUDENCE – Veuillez vous reporter à la plaque signalétique afin de vérifier pour quel type de combustible votre sèche-linge a été conçu.

Définitions



Avertissement



Avertissement – Ce symbole vous prévient d'un danger de mort ou d'un risque de blessures graves si vous ne respectez pas l'avertissement qui l'accompagne.



PRUDENCE



Prudence – Ce symbole vous prévient d'un risque de blessures si vous ne respectez pas l'avertissement qui l'accompagne.

PRUDENCE

Prudence – Ce symbole vous prévient d'un risque de dégâts matériels si vous ne respectez pas l'avertissement qui l'accompagne.



Ce symbole est destiné à attirer votre attention sur quelque chose de particulier.

AVERTISSEMENT: Assurez-vous de bien suivre les instructions données dans cette notice pour réduire au minimum le risque d'incendie ou d'explosion ou pour éviter tout dommage matériel, toute blessure ou la mort.

- **N'entreposer pas et n'utilisez pas d'essence ni d'autres vapeurs ou liquides inflammables dans le voisinage de cet appareil et de tout autre appareil.**
- **QUE FAIRE SI VOUS SENTEZ UNE ODEUR DE GAZ:**
 - Ne tentez pas d'allumer d'appareil.**
 - Ne touchez à aucun interrupteur. Ne vous servez pas des téléphones se trouvant dans le bâtiment où vous vous trouvez.**
 - Evacuez la pièce, le bâtiment ou la zone.**
 - Appelez immédiatement votre fournisseur de gaz depuis un voisin. Suivez les instructions du fournisseur.**
 - Si vous ne pouvez rejoindre le fournisseur de gaz, appelez le service des incendies.**
- **L'installation et l'entretien doivent être assurés par un installateur ou un service d'entretien qualifié ou par le fournisseur de gaz.**

⚠ INSTRUCTIONS DE SÉCURITÉ IMPORTANTES

1. Veuillez lire toutes les instructions figurant dans cette notice avant d'utiliser le sèche-linge. A la livraison, les sèche-linge Bosch sont accompagnés d'une notice d'utilisation, de maintenance et d'installation.
2. Ne faites pas sécher de pièces de linge qui ont été préalablement nettoyées, lavées et tachées avec ou trempées dans de l'essence, des solvants de dégraissage à sec ou d'autres substances explosives, car toutes ces substances dégagent des vapeurs susceptibles de s'enflammer ou d'exploser.
3. Ne laissez pas les enfants jouer dans ou sur l'appareil. Il est important de surveillez étroitement les enfants lorsque l'appareil est utilisé non loin d'enfants .
4. Lorsque les enfants arrivent à l'âge de faire marcher l'appareil, leurs parents ou tuteurs légaux ont la responsabilité de veiller à ce que des personnes qualifiées leur enseignent des méthodes d'utilisation sûres .
5. N'introduisez pas les mains dans l'appareil tandis que le tambour tourne.
6. N'installez ni ne stockez pas l'appareil dans un endroit exposé aux intempéries.
7. Ne cherchez pas à modifier les commandes de l'appareil.
8. Ne tentez pas de réparer ni remplacer quelque pièce que ce soit de l'appareil, ne le soumettez pas à des opérations de maintenance autres que celles spécifiquement indiquées dans les instructions de maintenance ou de réparation et permises à l'utilisateur, ceci à condition que vous en compreniez le contenu et ayez l'habilité requise pour réaliser ces opérations.
9. Pour supprimer l'électricité statique, n'utilisez pas d'adoucissant ou produit pour tissu, sauf si le fabricant le recommande.
10. Ne vous servez pas de la chaleur pour sécher des articles contenant du caoutchouc mousse (une étiquette peut indiquer la présence de mousse de latex) ou des matériaux en caoutchouc texturés de façon similaire. Les matériaux contenant du caoutchouc mousse peuvent, dans certaines circonstances, s'enflammer et brûler spontanément lorsque chauffés.
11. Avant et après le passage, nettoyez les peluches déposées sur le filtre.
12. Veillez à ce que la zone située autour de l'orifice de sortie et les zones voisines soient exemptes de bourres, peluches, poussières accumulées. Un orifice obstrué peut réduire le flux d'air et provoquer une surchauffe.
13. Il faudrait que le personnel de service après-vente qualifié nettoie régulièrement l'intérieur de la machine et le conduit d'échappement d'air.
14. Si vous ôtez un quelconque panneau ou capot, y compris le cache de la lampe, vous risquez de mettre à nu des circuits électriques sous tension.
15. Rangez tous les produits chimiques et accessoires de traitement du linge dans un endroit sec et frais, en respectant les instructions publiées par leurs fabricants. Cet endroit doit se trouver hors de portée des enfants.
16. Pour réduire le risque d'incendie, ne mettez jamais dans le sèche-linge des vêtements, chiffons de nettoyage, accessoires de nettoyages à franges comportant des traces de toute substance inflammable comme l'huile végétale, l'huile de cuisine, les huiles ou produits distillés à base de pétrole, les cires, graisses, etc. Une ou plusieurs substances inflammables peuvent être restées sur ces pièces de linge même après le lavage.
17. Il est interdit de stocker près du sèche-linge des matériaux combustibles, de l'essence, ou d'autres vapeurs ou liquides inflammables.
18. Ne mettez pas à sécher dans l'appareil des pièces de linge exposées aux huiles de cuisson. Ces pièces de linge contaminées par les huiles de cuisson peuvent contribuer à une réaction chimique qui ferait prendre feu à la charge de linge.
19. Ne vous asseyez pas sur le sèche-linge.
20. Pour réduire le risque d'incendie ou de choc électrique, N'UTILISEZ PAS de prolongateur ni d'adaptateur pour raccorder le sèche-linge à une prise du secteur électrique.
21. N'utilisez ce sèche-linge que conformément à sa destination.
22. Vérifiez toujours le contenu des poches et retirez tous les objets trouvés. Les briquets à cigarettes sont particulièrement dangereux.
23. Ne faites pas fonctionner le sèche-linge avant de remplacer les cordons d'alimentation usés et/ou les fiches mâles desserrées.
24. Ne faites pas marcher le sèche-linge tant que tout couvercle et/ou panneau enlevé n'a pas été remis en place.
25. Ne faites pas marcher le sèche-linge s'il lui manque des pièces ou si elles sont cassées.
26. Ne tentez pas de contourner un dispositif de sécurité quelconque.
27. Avec ce sèche-linge, n'utilisez pas de conduit flexible en plastique ou dans un matériau non métallique. Les conduites flexibles en plastique ou dans tout matériau non métallique engendrent un risque potentiel d'incendie.
28. Ne faites pas marcher le sèche-linge tant que vous n'êtes pas sûr si le sèche-linge a été installé conformément aux instructions D'installation, et que l'installation ainsi que

le raccordement à la terre se conforme à tous les arrêtés municipaux et/ou les autres règlements et exigences applicables.

29. Tout manquement à installer, entretenir et/ou faire marcher le sèche-linge en conformité avec les instructions du fabricant peut provoquer des dommages corporels et/ou des dégâts matériels.

30. AVANT DE METTRE L'APPAREIL HORS SERVICE OU AU REBUT, RETIREZ LA PORTE DU COMPARTIMENT DE SECHAGE.

31. Pour éviter d'endommager le sol ou la prolifération de moisissures, ne laissez pas l'eau répandue ou les éclaboussures en permanence autour de l'appareil ou sous celui-ci.

32. N'installez pas d'appareil au fuel dans le placard du séchoir.

33. Le fait d'enlever tout panneau, y compris le panneau de service circulaire à l'avant, vous expose à un risque d'entrer en contact avec des arêtes ou pointes coupantes, des connexions électriques et des surfaces très chaudes.

Remarques :

- A. Les MISES EN GARDE et AVERTISSEMENTS IMPORTANTS figurant dans le présent manuel ne sauraient envisager toutes les situations possibles et imaginables. Faites preuve de bon sens, de prudence et de soin pendant l'installation, l'entretien et l'utilisation de ce sèche-linge.
- B. Contactez toujours votre revendeur, distributeur, agent du service après-vente (SAV) ou le fabricant en présence de problèmes ou situations vous paraissant incompréhensibles.
- C. Respectez également les informations de sécurité incluses dans les INSTRUCTIONS D'INSTALLATION et les INSTRUCTIONS D'UTILISATION.

Instructions de mise à la terre

Il faut impérativement raccorder ce sèche-linge à la terre. En cas de dysfonctionnement ou de panne, sa liaison avec la terre réduira le risque de choc électrique en fournissant au courant électrique un chemin de passage à résistance électrique très réduite. Cet appareil est équipé d'un cordon d'alimentation avec fil intégré de raccordement de l'appareil à la terre, et d'une fiche de raccordement à la terre.

Il faudra brancher la fiche dans une prise femelle appropriée, reliée à la terre conformément à la réglementation et aux décrets locaux.

⚠ AVERTISSEMENT ⚠

Le branchement inexpert du fil chargé de raccorder l'appareil à la terre peut engendrer un risque de choc électrique. Avec l'aide d'un électricien agréé ou d'un technicien du service après-vente (SAV), vérifiez en cas de doute que le sèche-linge est bien raccordé à la terre. **NE MODIFIEZ PAS LA FICHE MÂLE** accompagnant l'appareil. Si elle ne rentre pas dans la prise, demandez à un électricien agréé de vous installer une prise femelle appropriée à ce sèche-linge.

CONSERVEZ CETTE NOTICE AFIN DE POUVOIR LA CONSULTER À NOUVEAU ULTÉRIEUREMENT.

Si l'appareil doit un jour changer de propriétaire, remettez-lui le manuel en même temps que le sèche-linge.

CONSERVEZ LES PRÉSENTES INSTRUCTIONS.

Instructions d'installation

Introduction

Veillez lire ces instructions d'installation entièrement et soigneusement. Elles vous feront économiser du temps et des efforts et

vous aideront à obtenir des performances optimales de votre sèche-linge. Veillez à bien respecter tous les avertissements et mises en garde énoncés.

Les présentes instructions d'utilisation sont destinées à des installateurs qualifiés. Outre le respect de ces instructions, vous devez installer le séchoir conformément à toutes les réglementations locales ou bien, en l'absence de telles recommandations:

- Aux **Etats-Unis** : conformez-vous au National Electric Code, ANSI/NFPA70 - en son édition la plus récente / en conformité avec la réglementation édictée par l'Etat de résidence, la réglementation municipale et/ou locale.
- Au **Canada** : conformez-vous au Code Electrique Canadien C22.1 - en son édition la plus récente / en conformité avec la réglementation édictée par la province de résidence, la réglementation municipale et/ou locale.

L'installation de gaz doit se conformer aux réglementations locales ou, en l'absence de ces réglementations, à la réglementation nationale sur le gaz combustible (National Fuel Gas Code), à la norme ANSI Z223.1/NFPA 54 ou à la norme CAN/CSA-B149.1 et aux règlements d'installation.

Remarque :

Ce sèche-linge figure dans la liste UL et C-UL et offre un fonctionnement sûr jusqu'à une altitude de 7700 pieds (2350 m) sans qu'il ne faille modifier quoi que ce soit aux organes traversés par le gaz naturel ou gaz propane.

Informations sur la mise au rebut

Mise au rebut de l'emballage

⚠ AVERTISSEMENT ⚠

Eloignez les enfants de tout carton d'emballage et composants d'emballage. Les feuilles en plastique et les cartons pliants comportent un risque d'étouffement.

Tous les matériaux composant l'emballage sont écologiques et recyclables. Pour contribuer vous aussi à la protection de la nature, mettez les matériaux d'emballage au rebut de façon respectueuse de l'environnement.

Pour connaître les circuits de mise au rebut, veuillez consulter votre revendeur ou les services compétents de votre mairie.

Mise au rebut de l'appareil

⚠️ AVERTISSEMENT ⚠️

Si l'appareil ne doit plus jamais servir, débranchez sa fiche mâle de la prise de courant, coupez son cordon d'alimentation et jetez-le avec la fiche mâle.

Pour empêcher que des enfants ne s'enferment dans l'ancien appareil et risquent leur vie, détruisez le système de fermeture du hublot ou retirez ce dernier.

Les appareils anciens ne sont pas des déchets sans valeur! Un recyclage respectueux de l'environnement permet de récupérer de précieuses matières premières.

Pour connaître les circuits de mise au rebut, veuillez consulter votre revendeur ou les services compétents de votre mairie.

Avant d'installer le sèche-linge

Déballage de l'appareil

⚠️ PRUDENCE ⚠️

Ce sèche-linge est très lourd. Ne tentez pas de le soulever. Ne tentez pas de soulever l'appareil par certaines parties saillantes (sa porte par ex.). Vous risqueriez de les casser.

PRUDENCE

Retirez soigneusement tout l'emballage de l'appareil, ceci pour empêcher d'endommager des surfaces.

Vérifiez si le sèche-linge a subi des dégâts en cours de transport. Ne branchez pas un sèche-linge visiblement endommagé. En cas de doute, contactez votre revendeur.

Accessoires fournis

PRUDENCE

Après avoir retiré l'emballage, sortez tous les objets éventuellement présents dans le tambour.

Ce sèche-linge a été livré en tant qu'appareil complet. Vous trouverez la notice d'utilisation et les accessoires d'origine dans le tambour.

Lieu d'installation

⚠️ AVERTISSEMENT ⚠️

N'installez pas ce sèche-linge:

- hors de locaux fermés par une porte,
- dans un environnement où de l'eau goutte,
- près de matériaux inflammables, dans des locaux comportant un risque de gel,
- dans des locaux pouvant contenir du gaz, de l'essence ou d'autres combustibles,
- dans des placards à portes fermant à clé et dans des alcôves, avec d'autres appareils brûlant du combustible et placés dans le même réduit.

Le local d'installation doit être bien aéré, sinon le sèche-linge fonctionnera en dessous de ses performances optimales.

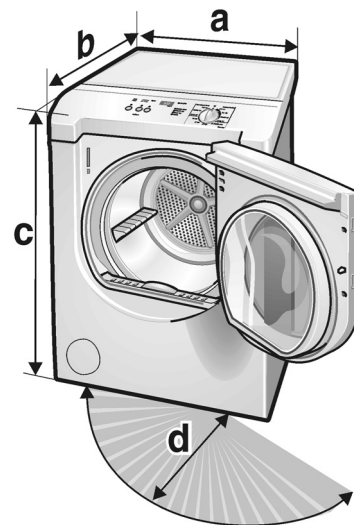
Ne faites pas marcher le sèche-linge à des températures supérieures à 104 °F (40 °C) et inférieures à 41 °F (5 °C). Les basses températures affectent le séquençement automatique des programmes et peuvent allonger la durée de séchage.

La surface sur laquelle se trouve le sèche-linge doit être propre, horizontale et dure. N'installez jamais l'appareil sur des tapis et moquettes. Compensez les irrégularités du sol par ses pieds réglables en hauteur. Installez le séchoir, puis assurez sa planéité latéralement et d'avant en arrière. Utilisez un niveau à bulle. N'enlevez jamais les pieds réglables en hauteur!

Les dimensions de la surface d'installation dépendent de celles du sèche-linge. Vérifiez qu'il reste suffisamment de place pour que sa porte puisse tourner!

⚠️ AVERTISSEMENT ⚠️

Si le sèche-linge a été installé dans un garage, il faut le placer sur une plate-forme plus haute d'au moins 18 pouces que le sol environnant, ceci pour supprimer tout risque que des vapeurs inflammables ne prennent feu. Il faudra en outre le positionner et le protéger de sorte qu'aucun véhicule ne puisse l'endommager.



	Dimensions	Poids
a	27,0" (686 mm)	125 lbs (56 kg)
b	31,8" (808 mm)	
c	37,2" (945 mm)	avec l'emballage
d	19,7" (500 mm)	143 lbs (64 kg)
angle	170 - 180°	

Si vous installez le sèche-linge dans un placard d'encastrement, respectez les distances minimums conformément au tableau ci-dessous :

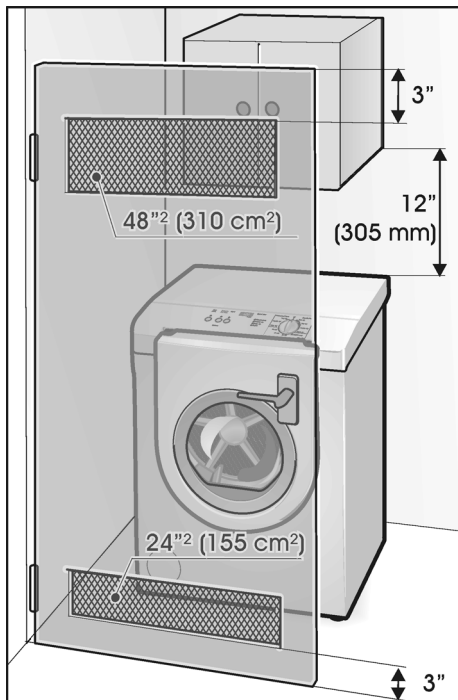
Distance minimum à respecter lors de l'installation

	Placard
Côtés	0" (0 mm)
Dessus	12" (305 mm)
Arrière*	0" (0 mm)

* le plus près possible du mur, en tenant compte de la tuyauterie de gaz et du système d'aération.

Informations importantes sur les distances minimums:

- Suivant le côté de l'appareil sur lequel a été raccordé le conduit d'échappement, il faudra prévoir un espace libre d'au minimum 5 1/2 pouces (14 cm) pour faire passer le conduit/les fixations (voir page 29).
- Des distances supérieures aux distances minimums indiquées réduisent le risque d'apparition de moisissures à l'arrière de l'appareil.
- Des distances supérieures réduisent la propagation du bruit.
- Des distances supérieures facilitent l'installation et les opérations de maintenance.
- Si le sèche-linge a été installé dans un local exigu, il faudra prévoir sur la porte des orifices d'aération ayant la taille minimum spécifiée.



La porte du sèche-linge a été fournie avec des charnières sur la droite. Si nécessaire, ces charnières se laissent transférer sur le côté gauche.

Avant de modifier le sens d'ouverture de la porte, veuillez s.v.p. contacter votre revendeur ou l'équipe du SAV (voir page 44).

Branchement électrique

Instructions de mise à terre

Il faut impérativement raccorder ce sèche-linge à la terre. Si un dysfonctionnement ou une panne se produit, le raccordement à la terre réduira le risque de choc électrique vu que le courant pourra s'échapper par un fil offrant une faible résistance électrique. Cet appareil est équipé d'un cordon d'alimentation intégrant un fil de terre et une fiche de terre. Il faut raccorder la fiche à une prise femelle réglementairement installée et dotée de contacts eux-mêmes raccordés à la terre, ceci en conformité avec la réglementation et les ordonnances locales.

⚠️ AVERTISSEMENT ⚠️

Un raccordement incorrect de l'appareil à la terre engendre un risque de choc électrique. Si vous n'êtes pas certain que le sèche-linge a été correctement raccordé à la terre, confiez la vérification de l'appareil à un électricien agréé ou à un technicien du service après-vente.

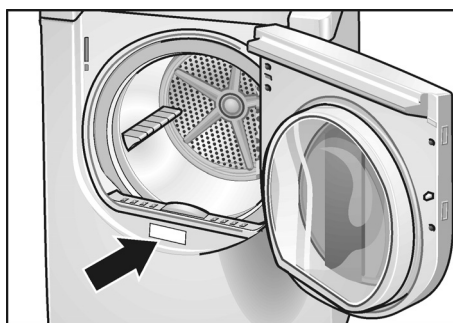
Ne modifiez jamais la fiche mâle fournie avec l'appareil. Si elle refuse de rentrer dans la prise femelle, faites-en installer une appropriée par un électricien agréé ou remplacez le cordon par un autre homologué pour le sèche-linge.

⚠️ AVERTISSEMENT ⚠️

Il faut raccorder le sèche-linge à une ligne spécifique dérivée du secteur et se terminant par une prise femelle réglementairement installée et raccordée à la terre.

La tension électrique présente dans votre foyer doit correspondre à la tension spécifiée sur le sèche-linge (voir sa plaque signalétique).

Vous trouverez la plaque signalétique sur la face intérieure du panneau frontal.



Les spécifications de branchement et l'ampérage requis des fusibles / disjoncteurs figurent sur la plaque nominative de l'appareil.

Assurez-vous que :

- La fiche mâle du cordon d'alimentation est bien fixée dans la prise.
- Le cordon d'alimentation est bien adapté à cette application.
- Le circuit de raccordement à la terre a été correctement installé.

Seul un électricien agréé est habilité à remplacer un câble de secteur. Des câbles secteur de rechange sont disponibles auprès du service après-vente.

Volts	Hertz	Ampères	Watts
110–120	60	9	1080

Branchement du gaz

⚠️ AVERTISSEMENT ⚠️

POUR ÉVITER RISQUE D'EXPLOSION!

Utilisez un tuyau d'alimentation en gaz neuf et homologué AGA ou CSA.

Installez un robinet de fermeture.

Serrez de manière sûre tous les raccords de gaz.

Demandez à une personne qualifiée de vérifier que la pression du gaz ne dépasse pas 14" (colonne d'eau) / 3,49 kPa/0,509 psig GAZ NATUREL OU GAZ PROPANE).

Cette personne qualifiée peut être par exemple :

- un technicien détenteur d'une licence d'entretien des appareils de chauffage,
- le personnel agréé du fournisseur du gaz,
- le personnel agréé du service après-vente.

Si vous ne prenez pas ces précautions, vous vous exposez à un risque d'explosion ou d'incendie. Danger de mort ou de blessures!

Tous les raccords situés sur la conduite d'alimentation en gaz devraient faire l'objet d'un contrôle d'étanchéité avant de faire marcher l'appareil. Appliquez de l'eau savonneuse sur tous les raccords et vérifiez la formation de nouvelles bulles. Ces bulles révèlent la présence d'une fuite !

Lorsque vous raccordez le gaz au tuyau d'entrée du gaz dans le sèche-linge, ne serrez pas à un couple de plus de 310 lbf in (35 Nm).

⚠️ AVERTISSEMENT ⚠️

N'utilisez jamais de flamme nue pour détecter la présence de fuites de gaz.

Type de gaz

Ce gaz plus sec quand équipé pour l'usage avec LE GAZ NATUREL, emploiera une taille d'orifice 46 et a une pression de sortie de gaz de 3,5 dans W.C. Ce gaz plus sec quand équipé pour l'usage avec le GAZ DE PROPANE, emploiera une taille d'orifice 1,21 mm et une pression de sortie de gaz de 11 dans W.C.

Votre sèche-linge doit avoir été équipé avec la vanne adaptée au type de gaz disponible chez vous. Les informations sur la vanne se trouvent sur la plaque

signalétique elle-même située derrière la porte, au bas de l'orifice.

Si les informations figurant sur la plaque signalétique ne concordent pas avec le type de gaz disponible, veuillez contacter votre revendeur ou notre équipe du service après-vente (voir page 44).

Conduite d'alimentation en gaz

Nous recommandons l'emploi d'une conduite faisant $1/2$ " de diamètre intérieur.

Les conduites de $3/8$ " sont admises aux conditions suivantes: la conduite doit faire moins de 20 pieds de long (6,1 m);

si la réglementation locale et le fournisseur de gaz admettent de telles conduites.

La conduite doit comprendre une dérivation enfichée $1/8$ " à filetage NPT, en amont de la connexion du gaz.

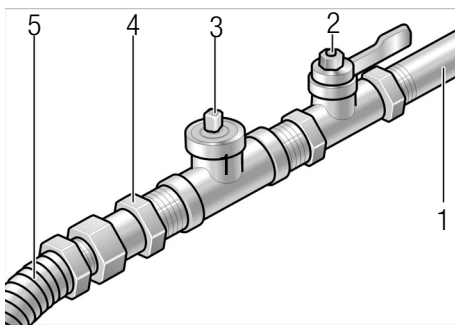
Prévoyez un robinet de fermeture :

– Etats-Unis :

Il faut installer un robinet individuel de fermeture manuelle à 6 pieds (1,8 m) du séchoir, ceci conformément au National Fuel Gas Code (Code national sur le gaz combustible), ANSI Z223.1.

– Canada :

Il faut installer un robinet individuel de fermeture manuelle conformément à B149, aux règlements d'installation, à CAN/CSA B149.1 et CAN/CSA B149.2. Nous recommandons d'installer un robinet individuel de fermeture manuelle à 6 pieds (1,8 m) du séchoir.



- 1 – Conduite d'alimentation en gaz à filetage $1/2$ " NPT
- 2 – Robinet de fermeture du gaz
- 3 – Dérivation enfichée à filetage $1/8$ " NPT
- 4 – Conduite $3/8$ " aboutissant à la robinetterie adaptatrice
- 5 – Raccord flexible à gaz, $3/8$ " (vers le sèche-linge)

Il faut que le robinet de fermeture reste aisément accessible pour pouvoir l'ouvrir et le fermer chaque fois que nécessaire.

Conduite de gaz du sèche-linge

La conduite de gaz qui sort par l'arrière du sèche-linge présente un filetage mâle de $3/8$ ".

Remarque :

Si les raccords à gaz se sont cassés, vérifiez ensuite que le séchoir fonctionne correctement.

Branchement du sèche-linge

⚠ PRUDENCE ⚠

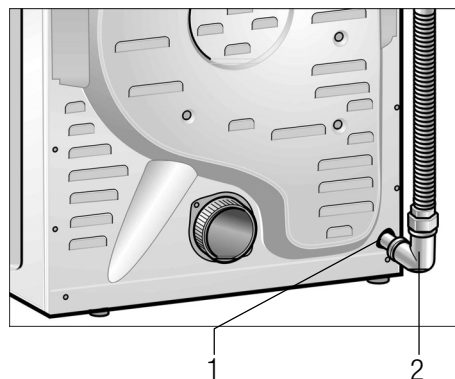
Le branchement est exclusivement réservé à un technicien agréé. Avant d'effectuer l'essai sous pression, il faut débrancher le sèche-linge du réseau d'alimentation en gaz. Lors du premier emploi du sèche-linge, assurez-vous qu'il n'y a pas d'air dans le réseau de conduites.

⚠ AVERTISSEMENT ⚠

Si l'appareil doit être raccordé au gaz naturel, n'utilisez pas de conduites et tubes en cuivre.

Les modalités de branchement peuvent différer suivant le type de conduite d'alimentation, sa taille et son emplacement.

Si la réglementation locale le permet, servez-vous, pour raccorder le sèche-linge, d'un raccord flexible en acier inoxydable (d'une conception agréée par l'American Gas Association ou par CSA International).



Pour réduire la distance entre la tôle du corps et le mur, installez un coude de $3/8$ " sur la conduite de gaz du sèche-linge.

- 1 – Conduite de gaz (à filetage mâle $3/8$ ")
- 2 – Coude $3/8$ "

Raccordement du conduit d'échappement

⚠ AVERTISSEMENT ⚠

1. Pour réduire le risque d'incendie, il faut que le conduit d'échappement de ce sèche-linge aboutisse en plein air.
2. Pour réduire le risque d'incendie, n'utilisez pas de conduits d'échappement d'une longueur supérieure à celle recommandée.
3. Avec ce sèche-linge, N'UTILISEZ PAS de conduit en plastique ou non métallique.
4. Le diamètre du conduit d'échappement NE DOIT PAS ÊTRE INFÉRIEUR à 4 pouces.
5. N'UTILISEZ PAS de hottes aspirantes équipées de fermetures magnétiques.
6. NE FAITES PAS ABOUTIR le conduit d'échappement dans une cheminée, dans le conduit d'air froid d'une chaudière, par une lucarne, un espace accessible uniquement en rampant ou tout autre conduit utilisé pour aéré.
7. N'INSTALLEZ PAS un conduit flexible dans un mur, plafond ou plancher situé dans une enceinte.
8. N'ÉCRASEZ ET NE vrillez pas le conduit.
9. Nettoyez et vérifiez le circuit d'échappement de façon régulière, au minimum une fois par an.
10. Le conduit d'échappement doit se terminer de manière à empêcher tout refoulement d'air ou la pénétration d'oiseaux ou d'animaux non domestiqués.

Les sèche-linge Bosch ont été conçus pour rejeter la chaleur et la vapeur en plein air. Pour empêcher l'apparition de moisissure ou l'accumulation de peluches dans le local d'installation, mais aussi pour maintenir une efficacité de séchage maximale, nous recommandons que le conduit d'échappement débouche en plein air.

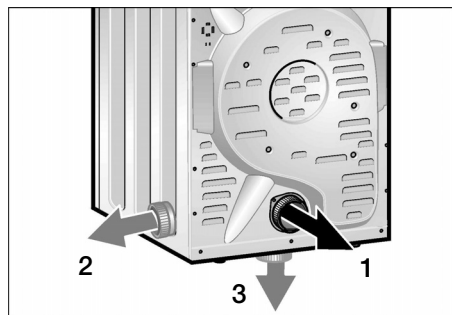
Orifice de sortie d'air sur le sèche-linge

Ce sèche-linge a été livré avec un orifice de sortie d'air à l'arrière.

Pour tenir compte des impératifs architecturaux et de la présence d'un système préexistant d'échappement de l'air, il est possible de placer l'orifice de sortie à d'autres endroits :

- Sur le côté droit de l'appareil,

- Sur la face inférieure de l'appareil.



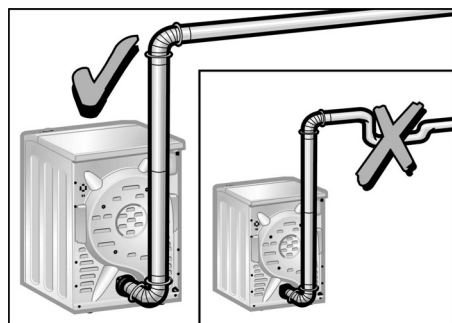
- 1 - Orifice de sortie d'air situé à l'arrière de l'appareil (standard)
- 2 - Orifice de sortie d'air sur le côté (option)
- 3 - Orifice de sortie d'air sur la face inférieure (option)

À votre revendeur ou fournisseur de pièces, il faudra demander des raccords de sortie d'air spéciaux pour raccorder le conduit d'échappement à l'un ou l'autre orifice en option (voir page 31).

- Kit de sortie par le côté
- Kit de sortie par le bas.

Il faudrait confier le changement d'orifice de sortie d'air (passage de l'orifice standard à un orifice en option) à un technicien qualifié.

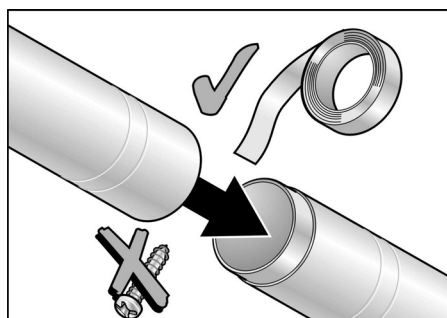
Conduit d'échappement



Pour que l'appareil offre des performances optimales, il faudrait que le conduit d'échappement soit le plus court possible et comporter aussi peu de coudes que possible. Votre sèche-linge fonctionnera de manière optimale si le flux d'air rencontre le moins d'obstacles possible. Un conduit d'échappement d'une longueur supérieure à celle recommandée risque d'allonger la durée de séchage, provoquer une accumulation de peluches, pénaliser les performances du sèche-linge et sa durée de vie.

Il faudrait utiliser un conduit faisant quatre pouces de diamètre (env. 100 mm). Utilisez soit un conduit en métal rigide, soit un flexible souple en métal. Avec ce sèche-linge, N'UTILISEZ PAS de conduit en plastique ou dans un matériau non métallique.

N'ASSEMBLEZ PAS le conduit d'échappement avec des vis ou des fixations susceptibles de faire saillie à l'intérieur du conduit. Ces obstacles seraient autant de points d'accumulation des peluches. Immobilisez les jonctions avec du aluminium adhésif pour conduit.



Il faudrait que toutes les jonctions soient étanches pour éviter les fuites. La partie mâle de chaque segment de conduit doit regarder en direction opposée à celle du sèche-linge.

Que vous raccordiez le conduit à un système d'aération préexistant ou à un nouveau système, assurez-vous que l'intérieur du conduit est intégralement propre et exempt de peluches.

La longueur maximale permise des conduits rigides et flexibles en métal figure dans le tableau ci-dessous.

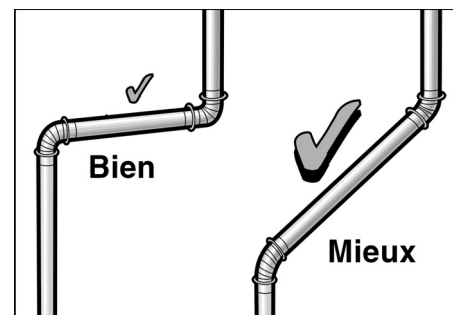
Nombre de virages ou coudes à 90°	Conduit rigide	Conduit flexible
0	66 ft. (2011 cm)	45 ft. (1372 cm)
1	56 ft. (1707 cm)	36 ft. (1097 cm)
2	48 ft. (1463 cm)	29 ft. (884 cm)
3	39 ft. (1189 cm)	22 ft. (671 cm)
4	30 ft. (914 cm)	16 ft. (488 cm)

Remarque :

Les conduits d'échappement raccordés à l'orifice de sortie latéral ou par le fond de l'appareil forment un coude à 90° dans celui-ci. Pour

déterminer la longueur maximale du conduit d'échappement, ajoutez un coude à 90° dans le tableau.

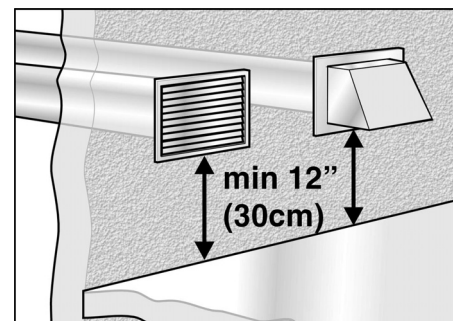
Plus de deux coudes à 90° sont déconseillés. Pour obtenir les meilleures performances, veillez à ce que tous les virages soient distants d'au moins 4 pieds les uns des autres, y compris la distance entre le dernier virage et la hotte d'échappement.



Hotte d'échappement

Le conduit doit se terminer par une hotte d'échappement homologuée présentant un ou plusieurs volets pivotant. N'UTILISEZ PAS de hotte d'échappement à fermetures magnétiques.

Pour éviter tout freinage de l'air sortant, il faudrait que la bouche de sortie se trouve au minimum 12 pouces (30 cm) au-dessus du niveau du sol ou de toute surface faisant obstruction.



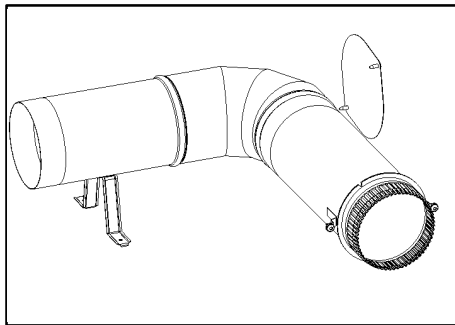
Pièces requises

Les pièces affectées au système d'échappement de l'air (coudes, lignes, bouches de sortie d'air) ne sont pas livrées d'origine avec le sèche-linge.

Accessoires

Vous pouvez vous procurer les pièces requises par le système d'échappement d'air auprès du service après-vente ou de votre revendeur local. Veuillez s.v.p. respecter les instructions de pose fournies par le fabricant concerné.

Kit de sortie par le côté



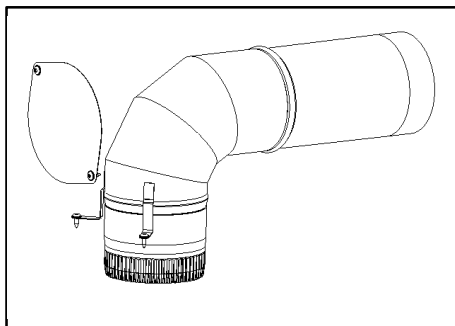
N° de réf. **WTZ 1265**

Remarque :

Le nombre maximal permis de coudes à 90° (y compris celui formé par ce kit de sortie latérale) est de quatre.

i Le découpage du trou dans le panneau latéral préparé à cet effet requiert un outil spécial. Contactez votre revendeur local.

Kit de sortie par le bas.



N° de réf. **WTZ 1270**

Remarque :

Le nombre maximal permis de coudes à 90° (y compris celui formé par ce kit de sortie latérale) est de quatre.

Kit pour mobile-home

N° de réf. **WTZ 1275**

Remarque :

Avec les autorités compétentes dans votre région, veuillez vérifier s'il est permis d'installer un sèche-linge dans votre mobile-home. Une fois cette vérification faite, l'installation sera conforme au Manufactured Home Construction and Safety standard, titre 24 CFR, section 3280 (anciennement Federal Standard for Mobile Home Construction and Safety, titre 24, HUD (section 280)), et/ou au standard CAN/CSA - Z240 MH.

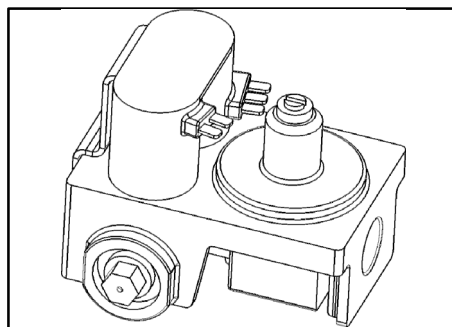
Veuillez s.v.p. utiliser le kit pour mobile-home portant le n° de réf. **WTZ1275** afin de sécuriser le sèche-linge contre la structure du mobile-home.

Reportez-vous à la page 36 «Raccordement du conduit d'échappement d'air» pour connaître les instructions sur l'installation de ce conduit.

Il faudra fixer le conduit d'échappement à une partie non combustible de la structure du mobile-home et le conduit ne doit pas déboucher par le bas du mobile-home.

Pendant l'installation, il faudra ménager une ouverture vers l'extérieur. Assurez-vous que la surface libre de l'ouverture servant à l'admission d'air extérieur n'est pas inférieure à deux fois la surface de la bouche d'échappement d'air du sèche-linge, ou utilisez, dans cet orifice, un conduit d'échappement faisant au moins 5 pouces de diamètre ou au moins 25 pouces carrés.

Kit de LP-Gaz



N° de réf. **WTZ 1280**

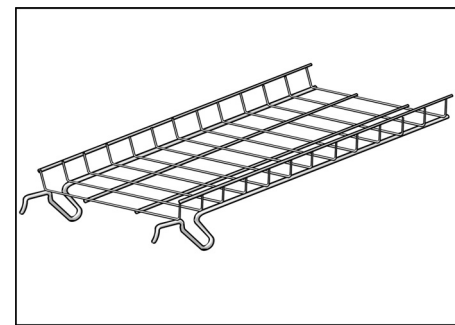
Les pièces nécessaires pour la conversion au pl pourront vous être fournies par votre revendeur local. Veuillez s.v.p. suivre les instructions d'installation publiées par le fabricant correspondant.

Si vous possédez un sèche-linge au propane et souhaitez le convertir au gaz naturel, (Service Kit 496297) veuillez demander conseil et assistance à votre agent du service après-vente.

Remarque :

Si les raccords à gaz se sont cassés, vérifiez ensuite que le séchoir fonctionne correctement.

Tiroir de séchage



N° de réf. **WTZ 1290**

Servez-vous du tiroir de séchage pour sécher les textiles lavables en laine (les chandails par ex.) et les chaussures.

Charnières gauches en kit

N° de réf. **WTZ 1260** (Sèche-Linge Blancs)

N° de réf. **WTZ 126S** (Sèche-Linge Argentés)

Si nécessaire, vous pouvez changer le sens d'ouverture de porte. A la fabrication, la porte a été montée sur charnière du côté droit.

Montage sur estrade

N° de réf. **WTZ 1295** (Sèche-Linge Blancs)

N° de réf. **WTZ 1295S** (Sèche-Linge Argentés)

Pour monter le sèche-linge sur l'estrade veuillez suivre la notice d'instructions accompagnant cet accessoire.

Installation pas à pas

1. Déballez le sèche-linge.
2. Retirez tous les objets présents dans le tambour.
3. Vérifiez l'absence de dégâts apparents sur le sèche-linge.
4. Placez le sèche-linge à proximité de son emplacement définitif.
5. Si nécessaire, demandez au service après-vente d'installer les charnières sur le côté droit (voir page 6).
6. Si nécessaire, demandez au service après-vente d'installer l'orifice de sortie de l'air d'échappement sur le sèche-linge (voir page 29).
7. Confiez le raccordement de l'alimentation en gaz à un

technicien qualifié
(voir page 28).

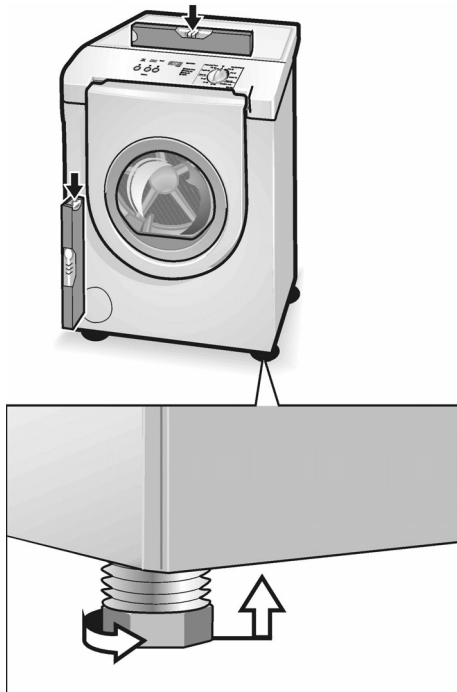
- Installation le conduit d'échappement si nécessaire. Respectez les instructions d'installation publiées par le fabricant du matériel correspondant!

- i** En présence d'un espace très exigu, nous recommandons de fixer l'orifice de départ du conduit d'échappement sur le sèche-linge avant d'amener le sèche-linge sur son emplacement définitif.
- Amenez le sèche-linge sur son emplacement définitif puis ajustez son horizontalité.

PRUDENCE

Ne faites pas glisser le sèche-linge sur le sol si ses pieds réglables en hauteur se trouvent en position sortie. Vous risquez d'endommager les pieds et/ou la base du sèche-linge si vous le faites glisser sur le sol avec les pieds en position sortie.

- Positionnez le sèche-linge puis ajustez son horizontalité.



Il faudrait que le sèche-linge se retrouve bien à l'horizontale, avec ses quatre pieds fermement en appui sur le sol. Le sèche-linge ne doit pas osciller. S'il n'est pas parfaitement à l'horizontale ou s'il oscille, il faudra corriger le réglage des pieds. Vissez ou dévissez les pieds réglables en hauteur jusqu'à ce que le sèche-linge cesse de s'agiter et se trouve parfaitement à l'horizontale, tant de l'avant vers l'arrière que d'un côté à l'autre.

- Raccordez le conduit d'échappement à l'orifice prévu à cet effet sur le sèche-linge.
- Branchez la fiche mâle dans la prise de courant murale.

Check-list préalable à l'emploi du sèche-linge

- Vérifiez que les étapes 1 à 12 ont été correctement réalisées.
- Assurez-vous que le sèche-linge est raccordé à l'alimentation électrique.
- Ouvrez le robinet de gaz.
- Veillez lire les instructions d'utilisation pour comprendre comme votre sèche-linge fonctionne.
- Soumettez l'appareil à un test:
 - Vérifiez que le tambour est vide.
 - Fermez la porte du sèche-linge.
 - Commutez le sèche-linge sur «Extra Dry» (Très sec) puis appuyez sur le bouton Start.
 - 3 à 5 minutes plus tard, appuyez sur le bouton Stop puis ouvrez la porte.
- Si l'intérieur du tambour paraît chaud, ceci signifie que vous avez connecté le sèche-linge correctement. Commutez l'interrupteur sur «Off».
- Si le sèche-linge ne fonctionne pas, ramenez le programmeur sur «Off». Consultez la section de ces INSTRUCTIONS D'UTILISATION consacrée au dépannage (page 43) et essayez de localiser le dérangement.

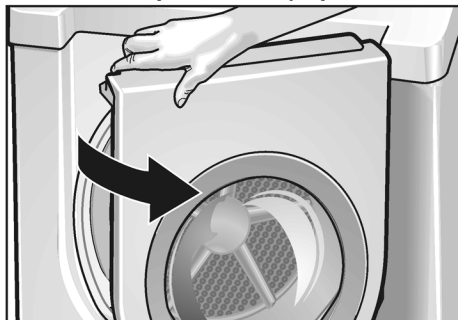
Préparation pas à pas au transport du sèche-linge

- Fermez le robinet de gaz.
- Amenez le programmeur sur «Off».
- Débranchez la fiche mâle de la prise de courant.
- Débranchez le conduit de Gaz
- Débranchez le conduit de l'orifice d'échappement d'air situé contre l'appareil.
- Placez les accessoires, si présents, dans le tambour.
- Fermez la porte et maintenez-la fermée avec du ruban adhésif.
- Revissez les pieds réglables en hauteur dans le corps de l'appareil pour empêcher qu'ils soient endommagés pendant le transport.

INSTRUCTIONS D'UTILISATION

Présentation de votre nouveau sèche-linge.

Ouvrez la porte (repère en couleur)



...puis fermez-la.

Filtre à peluches



Le panneau d'accès situé dans le coin inférieur gauche du sèche-linge est un accès de service réservé à un technicien uniquement.

Le bandeau de commande

Bouton Start/Pause

Ce bouton sert à faire démarrer, à interrompre et à mettre fin au processus de séchage.

Boutons des options (ces options viennent compléter un programme si vous le souhaitez). Voir page 37.

Delicates low temp. (Déliçats basse température)

Appuyez sur ce bouton si vous voulez sécher des textiles déliçats, sensibles à la chaleur (par ex. les fibres acryliques). La température du processus de séchage diminue, la durée de séchage augmente en conséquence.

Signal (Signal)

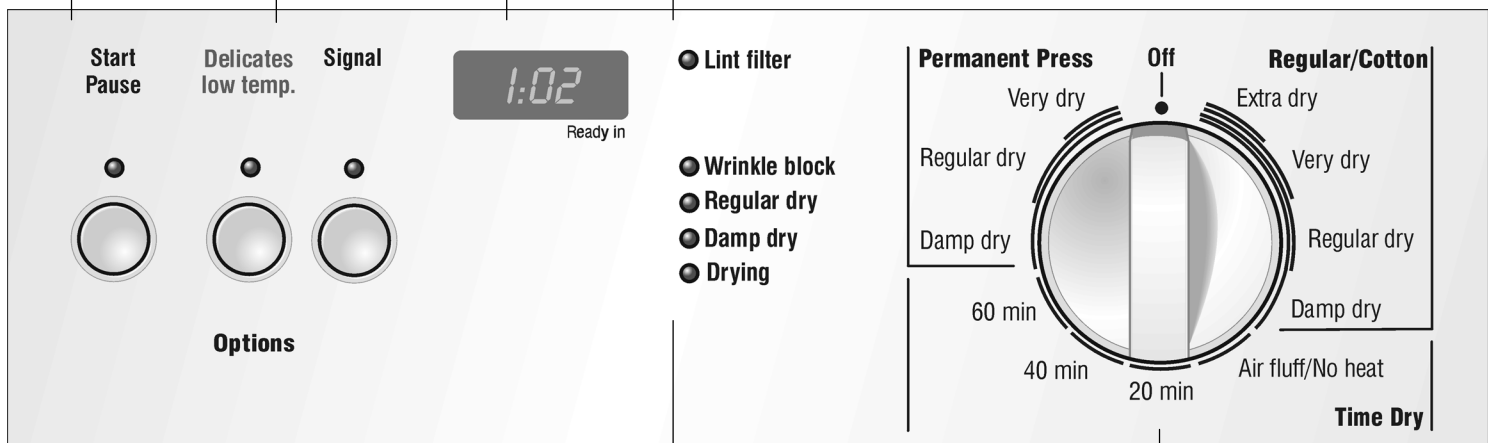
Un signal sonore vous indique la fin du programme.

Ecran

Il indique la durée approximative restante des programmes.

Voyant indicateur (LED)

Servir de rappel pour nettoyer le filtre de fibre.



Voyant indicateur (LED)

Ils indiquent le stade actuel d'avancement du séchage.

Programmeur

Sélectionnez un programme. Voir page 37.

Vous pouvez le faire tourner dans les deux directions.

Pour éteindre le sèche-linge, ramenez le programmeur sur la position «Off».

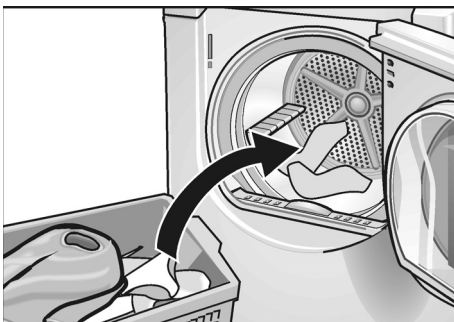
Résumé des instructions

⚠ PRUDENCE ⚠

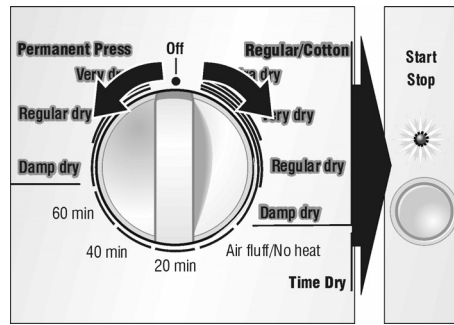
Avant d'utiliser votre sèche-linge, veuillez lire et respecter toutes les instructions d'installation et d'utilisation.

Préparation du sèche-linge

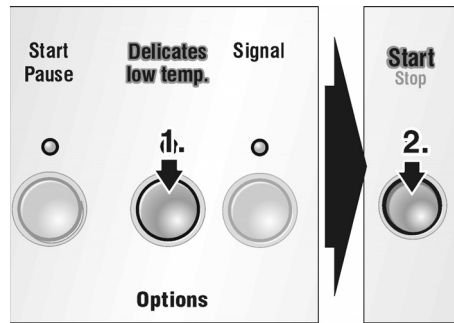
i Vérifiez le filtre à peluches. Il faut nettoyer le filtre après et avant chaque séchage.



Sélection d'un programme

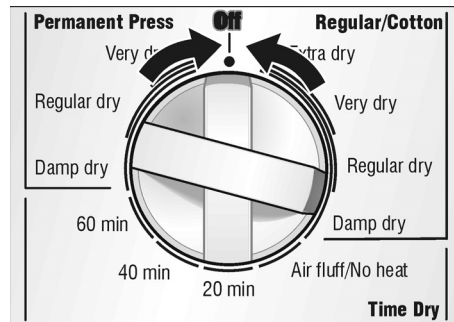


Choisir une option...



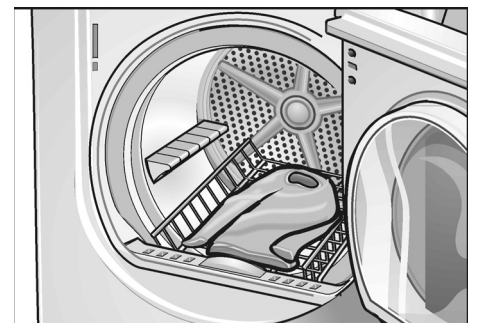
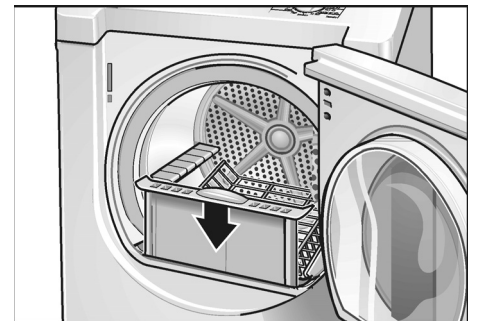
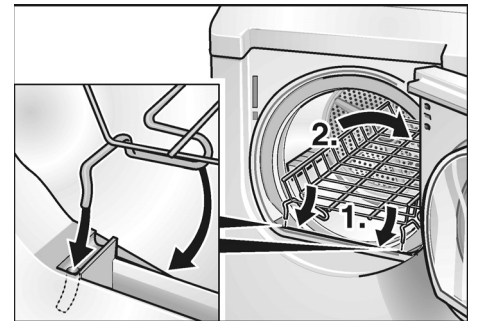
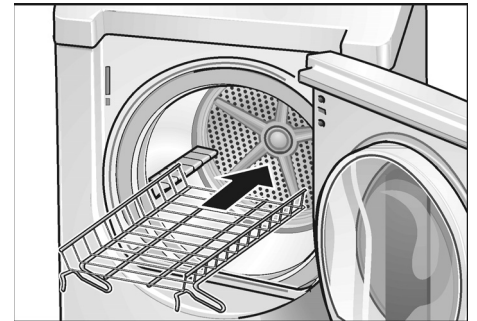
...et faire démarrer le sèche-linge.

Eteindre le sèche-linge.



Utilisation du tiroir de séchage

(Accessoire, voir page 31)



Informations de sécurité



Respectez toujours les INSTRUCTIONS DE SÉCURITÉ IMPORTANTES (voir page 25).



POUE EVITER RISQUE D'EXPLOSION !
Du sèche-linge, éloignez les matériaux inflammables comme l'essence, et les vapeurs qu'ils dégagent.
Éloignez toutes les matières et vapeurs inflammables du sèche-linge (comme l'essence par exemple).
Ne séchez jamais dans l'appareil des objets qui à un moment ou à un autre ont été en contact avec une matière inflammable, huile de cuisine comprise (et même après les avoir lavés).
Il faudra faire sécher les pièces de linge contenant de la mousse, du caoutchouc ou du plastique sur un fil à linge ou en vous servant d'un cycle de défouillage du linge/aucune chaleur.
Ne laissez pas dans les vêtements qui séchent des objets contenant des matériaux inflammables, tels que des briquets.
Le non-respect de ces instructions peut engendrer un risque d'explosion ou d'incendie.
Poue éviter Danger de mort ou de blessures !

N'utilisez ce sèche-linge que dans la maison et pour sécher des quantités normales de linge dans votre ménage. Ne vous en servez que pour sécher du linge qui a été lavé à l'eau. Ne faites jamais marcher le sèche-linge sans son capot frontal en place.

Avant d'allumer le sèche-linge

Installez le sèche-linge conformément aux instructions d'installation (à partir de la page 26).

N'utilisez pas le sèche-linge s'il est visiblement endommagé. En cas de doute, contactez votre revendeur.

Utilisation du sèche-linge

Ne laissez pas les enfants jouer sans surveillance près de l'appareil.

Eloignez les animaux de compagnie de l'appareil. Avant de refermer la porte, vérifiez le contenu du tambour.

Enlevez tous les objets présents dans les poches.

Les briquets restés dedans sont particulièrement dangereux. **Risque d'explosion !**

Eteignez le sèche-linge à la fin du programme.

Protection du sèche-linge

Ne montez pas sur le sèche-linge.

Ne vous appuyez pas sur la porte et ne vous asseyez pas dessus.

Le sèche-linge risque de se renverser!

Ne rangez pas à proximité de l'appareil des auxiliaires de nettoyage contenant des solvants, ou des produits détachants.

Vous risqueriez d'endommager le sèche-linge.

Ne tentez pas de le soulever par ses parties saillantes.

Risque de rupture!

Protection de l'environnement

Conseils pour économiser de l'énergie

Pour économiser de l'énergie, de l'argent et du temps, Bosch vous recommande ceci :

- **Essorez suffisamment le linge.**
Avant le séchage, faites bien essorer le linge dans le lave-linge. Servez-vous de la plus haute vitesse d'essorage possible adaptée au type de linge. Une vitesse d'essorage assez élevée réduit la durée du séchage et la consommation d'énergie.
- **Mettez la charge maximale de linge.**
Mettez une charge de linge correspondant au maximum recommandé. Ne chargez toutefois pas de quantités excessives de linge.
- **Nettoyez le filtre.**
Nettoyez le filtre avant et après chaque séance de séchage (voir page 41).

- Aérez la pièce.

Pendant la séance de séchage, veillez à ce qu'il arrive suffisamment d'air frais dans la pièce.

- Ne séchez pas de matériaux inadaptés!

Ne faites pas sécher de pièces de linge enrobées de caoutchouc ou hermétiques.

- Nettoyez et vérifiez le conduit d'échappement d'air de façon régulière!

Les obstructions pourraient en effet allonger la durée de séchage.

Avant d'utiliser le sèche-linge pour la première fois

Avant de vous servir du sèche-linge pour la première fois :

1. Veuillez lire attentivement les présentes instructions d'utilisation.
2. Vérifiez que la tension du secteur de votre domicile correspond avec la tension spécifiée sur la plaque signalétique du sèche-linge (voir l'illustration page 44).
3. Vérifiez que le type de gaz correspond bien aux spécifications figurant sur la plaque signalétique (voir l'illustration page 44).
4. Demandez à une personne qualifiée de s'assurer que la pression du gaz ne dépassera pas 14" (colonne d'eau)/ (3,49 kPa / 0,506 psig)/Gaz Naturel ou au Propane.
5. Retirez tous les objets présents dans le tambour.
6. Vérifiez l'absence de dégâts apparents sur le sèche-linge. Si vous en trouvez, prévenez votre revendeur.
7. Essuyez l'intérieur du tambour à l'aide d'un chiffon humide.
8. Soumettez l'appareil à un test. Voir page 32.
9. Si le sèche-linge ne fonctionne pas, ramenez le program- mateur sur «Off». Reportez-vous à la section des instructions d'utilisation consacrée au dépannage (page 43) et déterminez la nature du défaut.

Débranchement temporaire du sèche-linge

Ne faites marcher votre sèche-linge que pendant que vous vous trouvez à votre domicile. En prévision d'un départ en vacances ou si vous devez ne pas utiliser le sèche-linge pendant une période prolongée, vous devrez :

1. Ramener le disjoncteur en position éteinte.
2. Fermez le robinet de gaz.
3. Débrancher la fiche mâle de la prise de courant (si possible).
4. Nettoyer le filtre à peluches.

Linge

Détermination de la nature du tissu

Veillez respecter les symboles de traitement figurant sur les étiquettes des pièces de linge. Elles contiennent des informations précieuses ainsi que des restrictions quant au processus de séchage.

Avec cet appareil, ne séchez pas les textiles suivants :

- Textiles étanches (par ex. enrobés de caoutchouc)
- Les textiles délicats (soie, voilages synthétiques)

i Séchez les textiles en laine ou à forte proportion de laine uniquement dans le tiroir de séchage.

i Servez-vous du programme à durée limitée «Air fluff/No heat» (défouillage à l'air/aucune chaleur) pour sécher les articles contenant du caoutchouc mousse ou des articles à texture similaire à celle du caoutchouc.

Conseils pour le séchage

En principe, les instructions suivantes s'appliquent à tous les programmes de séchage :

- Pour assurer un résultat de séchage uniforme, triez le linge conformément aux types de tissu et au programme voulu.
- Refermez les fermetures à glissières, les crochets et les œillets. Fixez les ceintures

détachées, les lanières des tabliers, etc.

- Ne séchez pas à l'excès le linge synthétique – risque de le froisser ! Laissez ce linge finir de sécher à l'air.
- Ne repassez pas le linge immédiatement après le séchage. Laissez le linge reposer en pile pendant un petit moment. Ceci permettra à l'humidité résiduelle de se répartir uniformément.
- Les textiles à mailles (par ex. les t-shirts, le linge en coton tricoté en jersey) rétrécit souvent lors du premier séchage au sèche-linge. N'utilisez pas le programme «Very dry/Extra dry» (Très sec/Extra sec).

Sélection du programme

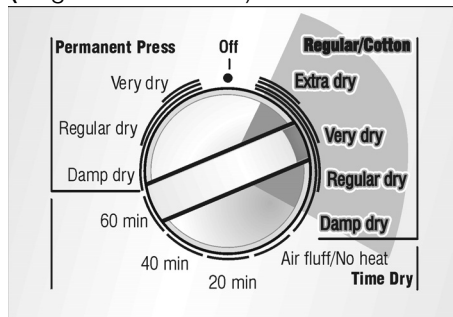
Pour obtenir des résultats de séchage optimaux, votre sèche-linge offre différents groupes de programmes et options additionnelles.

Sélectionnez le programme de séchage requis dans le tableau des programmes, en fonction des exemples (voir page 46).

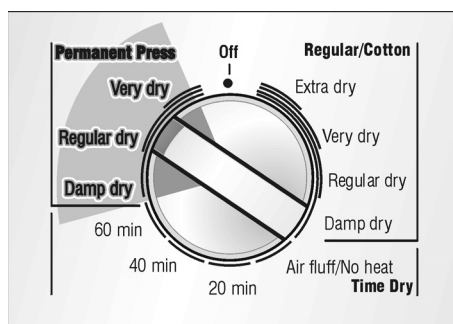
Programmes automatiques

Il existe des programmes automatiques adaptés aux différents types de textiles: Regular/Cotton et Permanent Press (Linge normal/Coton ou infroissable)

Regular/Cotton
(Linge normal/Coton)

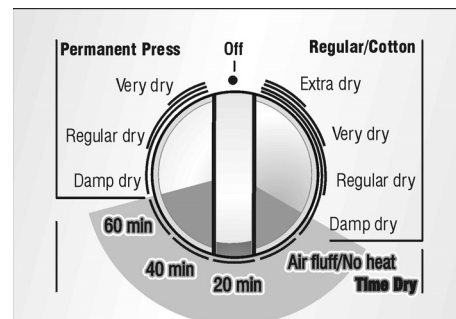


Permanent Press



Le déroulement des programmes automatiques est surveillé par des capteurs. La durée du programme dépend du degré d'humidité mesuré dans le linge et du degré de séchage sélectionné (par ex. **Damp dry** ou **Extra dry** (Humide ou Extra sec).

Programmes assortis d'une durée

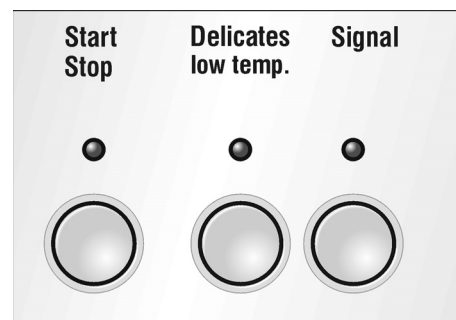


Les programmes à durée réglable marchent pendant la durée spécifiée (20, 40, 60 minutes).

Sur la position «Air Fluff/No heat» (défouillage à l'air/aucune chaleur), le sèche-linge fait pénétrer l'air ambiant dans le tambour sans ajout de chaleur pendant 20 minutes.

i Séchez les textiles en laine ou à forte proportion de laine uniquement dans le tiroir de séchage.

Options



Delicates low temp. (Déliçats basse température)

Appuyez sur le bouton «Delicates low temp.» (Déliçats basse température) pour sécher les textiles craignant la chaleur. Respectez les conseils ou symboles d'entretien figurant sur ces textiles. La température du processus de séchage diminue, la durée de séchage augmente.

Signal (Signal sonore)

Votre sèche-linge émet différents signaux si vous avez appuyé sur le bouton «Signal».

Signal	Type
Départ	Signal bref
Fin	Séquence de tons courts
Dysfonctionnement	Séquence de tons longs
Alarme de dérangement	Séquence de tons longs

i Le signal «alarme de dérangement» fonctionne dans tous les cas.

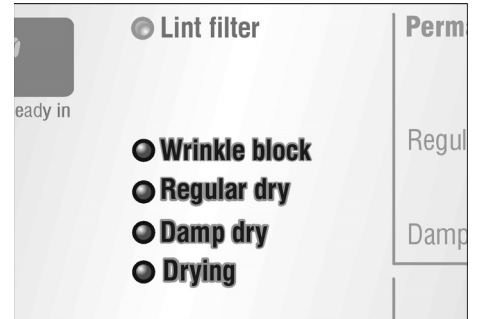
Indicateur de déroulement du programme

Le sèche-linge utilise un système de scannérisation électronique dans tous les programmes excepté les programmes à durée réglable. Un capteur d'humidité vérifie constamment l'humidité présente dans le linge. Le séchage prend fin automatiquement dès que le degré de séchage sélectionné a été atteint.

Le tambour continue, pendant une heure, de tourner selon une intermittence spécifique afin d'empêcher le linge de se froisser.

Les voyants renseignent sur le degré de séchage actuel et le niveau atteint pendant le déroulement du programme ; ces voyants correspondent à

plusieurs degrés de séchage: drying (séchage en cours), Damp dry (Humide), Regular dry (Normalement sec), Wrinkle block (Anti-froissage).



i Si le voyant «Wrinkle block» (bloc anti-froissage) s'allume une fois que le programmeur se trouve sur la position Off, ramenez le disjoncteur en position éteinte et prévenez le service après-vente.

Tableau de sélection des programmes

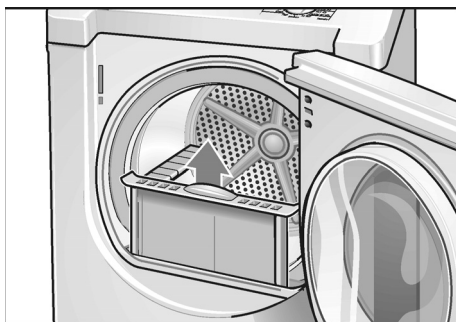
Programmes automatiques		
Pour le cotons et le linge de couleur en coton ou en lin Appuyez sur le bouton «Delicates low temp.» pour sécher les textiles craignant la chaleur.		Regular/Cottons (Linge normal/Coton)
Lingerie de lit et de table	Pour le linge, qu'il faut repasser	Damp dry (Humide)
Lingerie de lit et de table, serviettes, T-shirts, maillots de sport, tabliers		
T-shirts, maillots de sport, tenues, pantalons, tabliers, lingerie de corps		
Serviettes en tissu éponge, serviettes de cuisine et à mains, lingerie de lit, lingerie de corps, chaussettes en coton	qu'il ne faut pas repasser	Regular dry (Normalement sec)
Serviettes en tissu éponge, serviettes de cuisine et à mains, lingerie de lit, lingerie de corps, chaussettes en coton	qu'il ne faut pas repasser, à plusieurs couches épaisses	Very dry (Très sec)
Peignoirs de bain en tissu éponge, linge de lit en tissu éponge	particulièrement épais ou comportant plusieurs couches	Extra dry (Extra sec)
Linge facile à entretenir (encore gouttant), à base de tissus synthétiques et mixtes, de coton, en polyester par ex. Appuyez sur le bouton «Delicates low temp.» pour sécher les textiles très sensibles à la chaleur		Permanent Press (Infroissable)
	Pour le linge,	
Pantalons, tenues, jupes, chemises, chemisiers, leggings, tenues de sport et fibres à fort pourcentage synthétique, lingerie	qu'il ne faut pas repasser ou alors seulement légèrement.	Damp dry (Humide)
Chemises, chemisiers, tenues de sport	qu'il ne faut pas repasser	Regular dry (Normalement sec)
Lingerie de lit et de table, survêtements, anoraks, draps	qu'il ne faut pas repasser, à plusieurs couches épaisses	Very dry (Très sec)
Programmes assortis d'une durée		Time dry (Séchage à durée réglable)
Textiles pré-séchés, à faible teneur en humidité, petits articles personnels comme par ex. les serviettes de bain, les tenues de bain, les serviettes de table. Si vous utilisez la plus petite charge allant de 0,22 à 0,44 livre (par exemple une petite serviette de toilette), sélectionnez un programme de séchage de durée. Appuyez sur le bouton «Delicates low temp.» si ces textiles. – Cotons et vêtements teintés: encoton ou en lin. – Textiles sensibles à la chaleur.		20 min, 40 min, 60 min 20 min, 40 min, 60 min
Rafraîchissement ou aération de la lingerie peu portée et séchage de textiles craignant beaucoup la chaleur. Pour tous les types de textiles, y compris le caoutchouc mousse (par ex. les oreillers, les jouets rembourrés), le plastique (par ex. les rideaux de douche, les serviettes de table), le caoutchouc (par ex. les nattes à dos en caoutchouc, le nylon seul, le polypropylène.		Air fluff/No heat (défouler à l'air/aucune chaleur).

Utilisation

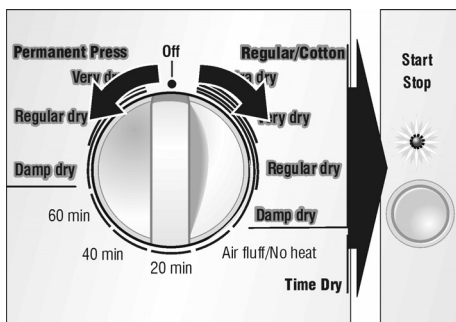
Utilisation du sèche-linge



1. Ouvrez la porte.

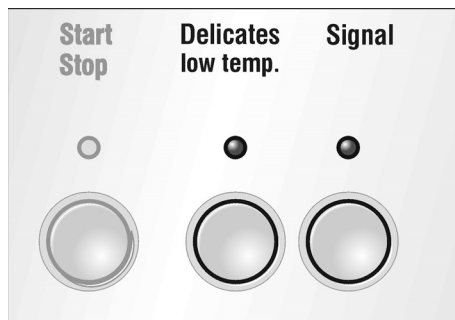


2. Vérifiez le filtre à peluches. Il faut nettoyer le filtre après et avant chaque séchage. Le nettoyage du filtre réduit la durée de séchage et permet d'économiser de l'énergie.



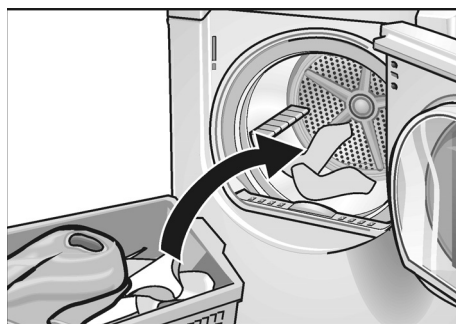
3. Amenez le programmateur sur le programme voulu. À l'aide du tableau de sélection, choisissez un programme adapté au linge présent dans le tambour (voir page 38). L'éclairage du sèche-linge s'allume dans le tambour.

i Le voyant «Start/Stop» se met à clignoter.



4. Si nécessaire, sélectionnez «Option» en appuyant sur le bouton. L'explication des options figure à la page 37.

i L'appareil actualise l'estimation de la durée restante.



5. Introduisez le linge dans le tambour vide. Placez individuellement chaque pièce de linge dans la machine. Pour obtenir les meilleurs résultats, triezy d'abord le linge en fonction du type de linge et du degré de séchage requis. La page 37 contient des informations plus détaillées.

i Respectez les symboles de séchage utilisés par le fabricant du linge. Si vous voulez sécher des vêtements en laine ou des chaussures, reportez-vous aux informations figurant aux page 40.

Assurez-vous qu'il n'y a que du linge dans le tambour. Vérifiez que toutes les pièces de linge se trouvent entièrement dans le tambour.

6. Refermez la porte.

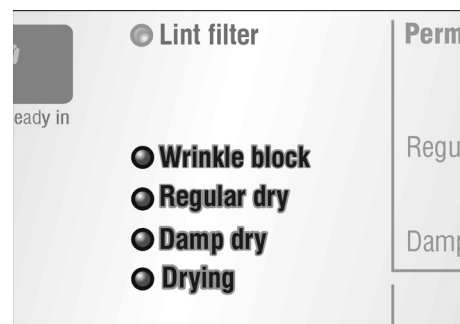
Le voyant «Start/Stop» désignalisation continue de.

i Si vous n'avez pas fermé la porte correctement, le sèche-linge ne démarrera pas.



7. Appuyez sur le bouton «Start/Stop». Le voyant «Start/Stop» s'allume.

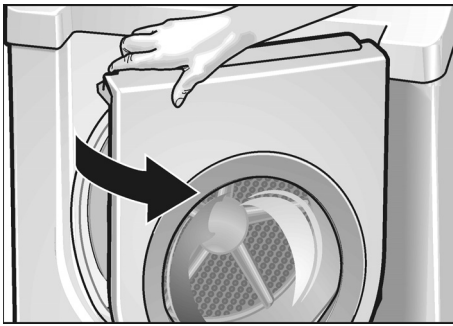
i Le programme démarre avec émission d'un signal sonore (si vous l'avez réglé).



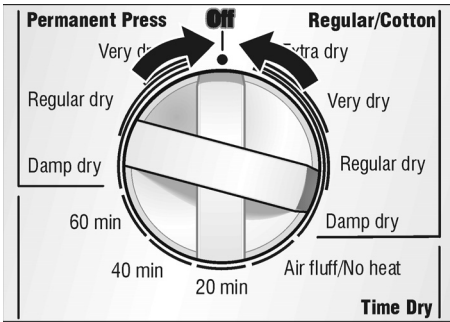
Si vous avez sélectionné un programme standard, les voyants indiquent le stade déroulement du programme.

i A la fin du programme, l'appareil émet un signal sonore (si vous l'avez réglé et le voyant lumineux «Wrinkle block» (protection antiride) s'allume.

i Une fois le processus de séchage terminé (le programme ou le programme à durée réglable a pris fin), le tambour continue de tourner par intermittence pendant 1 heure. Ceci empêche le linge de se froisser. Le linge repose non tassé et bien défoulé dans le tambour jusqu'à ce que vous l'enleviez. Il faudrait retirer le linge au plus tard une fois cette période écoulée.



8. Ouvrez la porte.
9. Sortez le linge du sèche-linge.



10. Amenez le programmateur sur «Off». L'éclairage du sèche-linge s'éteint.
11. Nettoyez le filtre. Il faudrait nettoyer le filtre après chaque séance de séchage. Le nettoyage du filtre réduit la durée de séchage et permet d'économiser de l'énergie.
12. Refermez le hublot.

Utilisation du tiroir de séchage

(Accessoire, voir page 31)

Servez-vous du tiroir de séchage pour sécher les textiles lavables en laine (les chandails par ex.) et les chaussures. Le tiroir de séchage reste immobile tandis que le tambour tourne. Ne bougez pas la laine humide car elle a tendance à feutrer. Le séchage de chaussures sans utiliser le tiroir pourrait endommager le tambour.

⚠ PRUDENCE ⚠

Ne faites sécher qu'un vêtement ou une paire de chaussure à la fois (charge maximale de linge sec 2,2 lbs (1 kg)). Il faut que le linge ait été essoré. Ne séchez que des chaussures préalablement lavées. Le linge ne doit pas toucher le tambour car il pourrait se coincer et être endommagé par le tambour. Après avoir utilisé le tiroir de séchage, retirez-le immédiatement du sèche-linge.

Insertion du tiroir de séchage

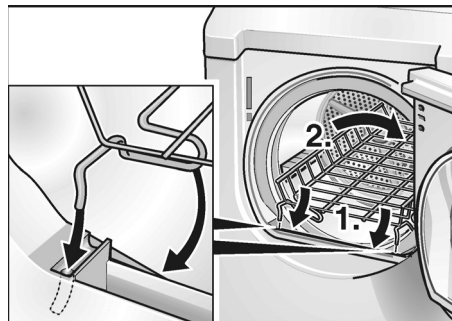
1. Ouvrez la porte du sèche-linge.
2. Vérifiez que le tambour est vide.



3. Retirez le filtre à peluches.



4. Soulevez le tiroir de séchage horizontalement pour l'introduire dans le tambour.



5. Placez le tiroir de séchage de telle sorte que les tiges pénètrent dans

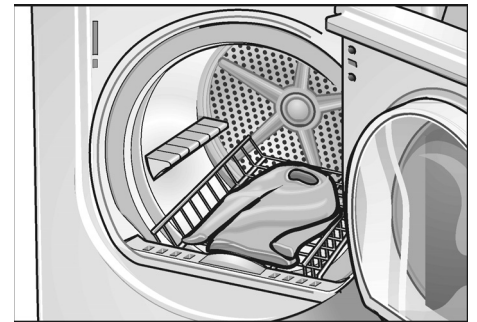
les trous de positionnement situés à l'avant.



6. Insérez le filtre à peluches. Introduisez le filtre en veillant à ce qu'il soit bien aligné sur le bord du tambour!

Sécher des pièces de linge sur le tiroir

1. Pliez le linge pour qu'il rentre dans le tiroir.

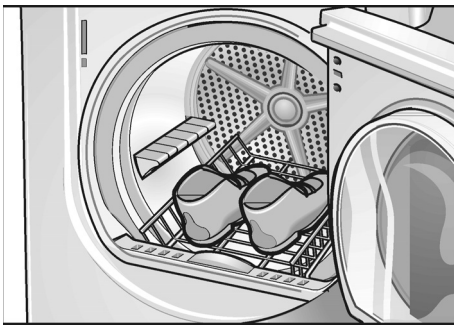


2. Placez le linge non tassé dans le panier. N'appuyez pas sur le linge. Ce dernier ne doit pas toucher le tambour. Veillez à ce qu'aucune pièce de linge ne pende du tiroir.
3. Refermez le hublot.
4. Pour utiliser un programme de durée, suivez les instructions de la page suivante.

Séchage de chaussures sur le tiroir :

1. Préparez les chaussures.
 - Nettoyez les chaussures pour empêcher le tambour de se salir.
 - Si vous préparez des chaussures de sport, étirez leur languette.
 - Desserrez ou retirez les lacets.

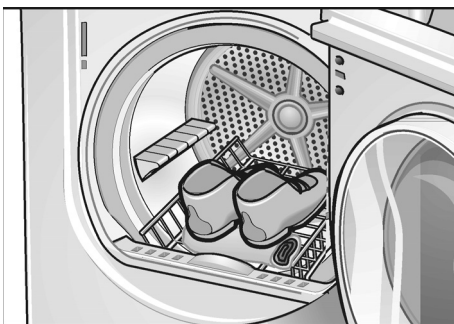
- ❑ Retirez les semelles intérieures et les talonnettes.



- Placez les chaussures sur le panier.

- ❑ Directement sur le tiroir de séchage

ou

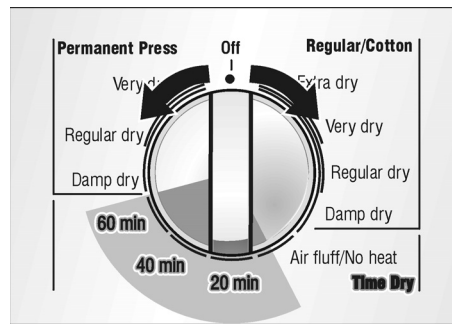


- ❑ Enroulez une serviette et placez les talons dessus. Ceci permettra d'obtenir un résultat de séchage plus uniforme.



- Refermez la porte.

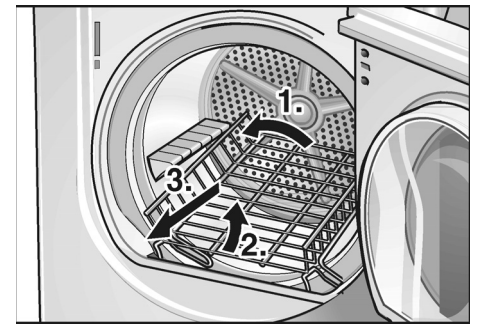
Choisissez un programme à durée définissable



- Amenez le programmateur sur «Time dry/...min» (Séchage à durée réglable/...min).
- Sélectionnez la durée de séchage à partir du tableau suivant, en respectant le type de linge.

Type de linge	Durée de séchage
Pullover en laine mince (approx. 0,8 lbs/350 g)	80 min. (par ex. 60 + 20 mn)
Pullover en laine épais (approx. 1,9 lbs/850 g)	90-120 min. (par ex. 60 +40 mn)
Jupe	60-90 min.
Pantalons	60-90 min.
Petits articles (gants par ex.)	30 min.
Chaussures	30 min.

- Appuyez sur le bouton «Start/Stop». Le voyant «Start/Stop» s'allume.
- Si la pièce de linge concernée contient encore une humidité résiduelle une fois écoulée la durée de séchage indiquée :
 - ❑ Pliez cette pièce de linge de sorte que les parties humides se retrouvent exposées.
 - ❑ Relancez le programme et réduisez la durée du séchage en fonction du degré d'humidité résiduel requis.
- Après le séchage, étalez le linge à l'air pendant approximativement 15 min. (les chaussures pendant env. 30 min.).
- Retirez le filtre à peluches.



- Sortez le tiroir de séchage du tambour.
- Insérez à nouveau le filtre à peluches.

Nettoyage et entretien

Nettoyage du sèche-linge

AVERTISSEMENT

POUR EVITER RISQUE D'EXPLOSION !
Pour nettoyer, n'utilisez jamais de solvants ou de liquides inflammables.

PRUDENCE

Un nettoyage incorrect peut endommager le sèche-linge. Ne le nettoyez pas avec un jet d'eau. N'utilisez pas de produits récurants ou de détergents multi-usage. N'utilisez pas non plus de nettoyeurs à vapeur.

Essuyez le corps de l'appareil et le bandeau uniquement avec un chiffon doux additionné d'un peu d'eau savonneuse.

Essuyez le tambour, le joint de la porte et l'intérieur de la porte uniquement avec un chiffon humide.

Nettoyage du filtre à peluches

Un filtre sale accroît la durée de séchage ainsi que la consommation d'énergie.

Il faudrait nettoyer le filtre avant et après chaque séance de séchage.

Si un signal d'alarme et un message E01 avertissement sont émis pendant un programme de séchage, nettoyez le filtre immédiatement et vérifiez le conduit d'échappement.

i Le programme s'interrompt automatiquement.

1. Eteignez le sèche-linge. Ramenez le programmeur sur «Off».

⚠ PRUDENCE ⚠

L'intérieur de la porte s'échauffe pendant le séchage.

2. Ouvrez la porte.



3. Retirez le filtre à peluches.



4. Retirez les peluches en passant la main sur le filtre.

Le filtre devrait être légèrement frotté deux fois par an avec de l'eau savonneuse chaude. Le filtre est nettoyé quand il ne tient plus l'eau. Séchez bien le filtre avant de le remettre en place.



5. Remettez le filtre en place.
6. Refermez la porte.

Nettoyage du conduit d'échappement

Inspectez et nettoyez le conduit d'échappement au moins une fois par an pour empêcher qu'il ne se bouche. Un conduit d'échappement partiellement obstrué allonge la durée de séchage.

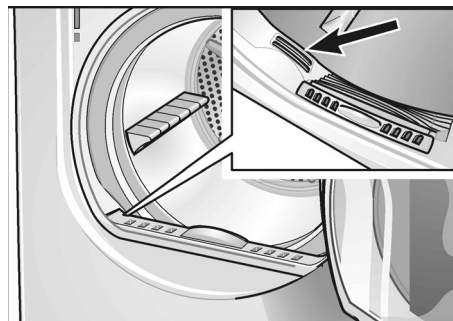
- Ramener le disjoncteur en position éteinte
- Débranchez la fiche mâle de la prise de courant
- Fermez le robinet de gaz.
- Débranchez le conduit du sèche-linge.
- Passez le conduit à l'aspirateur puis rebranchez-le.

⚠ AVERTISSEMENT ⚠

Défaites le branchement du gaz avant de débrancher le sèche-linge pour nettoyer le conduit. Veillez à ne pas détruire le raccord du gaz lorsque vous nettoyez le conduit.

Nettoyage des capteurs d'humidité

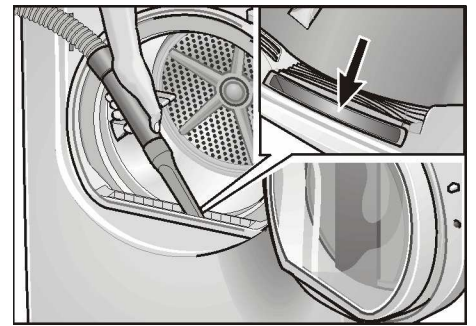
Il faut nettoyer les capteurs d'humidité de temps en temps vu qu'une couche fine de matière transparente se dépose dessus.



Ce dépôt s'enlève facilement en essuyant les capteurs (il s'agit des deux barres situées à côté du filtre à peluches) au moyen d'un chiffon et d'un peu de vinaigre blanc. N'utilisez que du vinaigre blanc. Nettoyez le capteur d'humidité une fois par mois.

Nettoyage de la flasque

A la longue, les peluches créées par le processus de séchage se rassemblent dans la flasque.



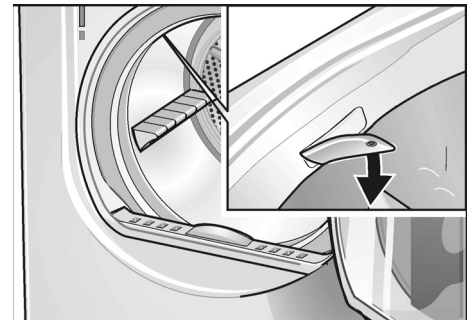
Ces peluches s'enlèvent facilement avec l'aspirateur ; nettoyez au moins une fois par mois.

Changer l'ampoule de l'éclairage

Lorsque vous ouvrez la porte, l'éclairage du tambour s'allume à l'intérieur du tambour.

Pour changer l'ampoule :

- Placez le sélecteur de programme à "off".
- Ramener le disjoncteur en position éteinte.
- Débranchez la fiche mâle de la prise de courant.
- Ouvrez la porte et localisez l'ampoule sur le côté supérieur gauche du joint.



- Desserrez la vis du couvercle puis ouvrez ce dernier.
- Tournez l'ampoule en sens inverse des aiguilles d'une montre. Remplacez-la par une ampoule neuve adaptée à l'appareil (fournie par le service après-vente).
- Remettez le couvercle en place puis fixez-le en position à l'aide de la vis.
- Rebranchez la fiche mâle du sèche-linge dans une prise de courant.

Dérangement et remèdes

AVERTISSEMENT

POUE EVITER
RISQUE DE CHOC
POUE EVITER
ELECTRIQUE! RISQUE
D'EXPLOSION !

Les réparations et le remplacement de pièces sont des opérations réservées uniquement à des techniciens agréés.

Avant d'appeler le service après-vente, vérifiez si vous ne pouvez pas supprimer la panne vous-même en vous servant du tableau ci-dessous.

Si vous ne parvenez pas à la supprimer ou si une réparation s'impose :

1. Réglez le sélecteur de programme sur «Off».
2. Ramener le disjoncteur en position éteinte.
3. Débranchez la fiche mâle de la prise de courant.
4. Fermez le robinet de gaz.
5. Appelez le service après-vente (voir page 44).

Problème	Cause possible	Remède
Le sèche-linge ne démarre pas. Le voyant «Start/Stop» ne s'allume pas.	Fiche mâle pas branchée du tout ou alors incorrectement dans la prise de courant.	Branchez la fiche mâle correctement dans la prise de courant.
	Un fusible / disjoncteur protégeant le secteur de la maison a grillé / disjoncté.	Remplacez le fusible / Réarmez le disjoncteur.
	Vous n'avez pas appuyé sur le bouton «Start/Stop»	Appuyez sur le bouton «Start/Stop»
	Vous n'avez pas sélectionné de programme.	Sélectionnez un programme.
	Porte pas fermée.	Refermez la porte.
	Température ambiante inférieure à 41 °F / 5 °C	Accroissez la température de la pièce
Linge resté mouille après le séchage.	Le robinet de gaz était Fermé.	Ouvrez le robinet de gaz.
Le programme a été interrompu. L'appareil émet un signal d'avertissement et la mention «E:01» s'affiche sur l'écran.	Le filtre à peluches est sale.	Nettoyez le filtre comme décrit à la page 41. Eteignez l'appareil puis rallumez-le ensuite.
	Conduit d'échappement d'air obstrué ou trop long.	Nettoyez le conduit d'échappement. Ramenez la longueur du conduit d'échappement à la longueur maximale, comme décrit à la page 30. Eteignez l'appareil puis rallumez-le ensuite.
	Défaut dans le déroulement du programme ou dysfonctionnement.	Eteignez le sèche-linge, laissez-le refroidir pendant 30 minutes puis rallumez-le. Relancez ensuite le programme.
	La pièce / le réducteur n'est pas correctement aéré.	Prévoyez un apport suffisant d'air frais. Eteignez l'appareil puis rallumez-le ensuite.
Degré de séchage pas atteint ou durée de séchage trop longue. La mention «E:03» peut s'afficher sur l'écran	Capteur d'humidité sale.	Nettoyez le capteur d'humidité comme décrit à la page 42. Eteignez l'appareil puis rallumez-le ensuite.
	Conduit d'échappement d'air obstrué ou trop long.	Nettoyez l'orifice de sortie du conduit d'échappement. Ramenez la longueur du conduit d'échappement à la longueur maximale, comme décrit à la page 30. Eteignez l'appareil puis rallumez-le ensuite.
	Le filtre à peluches est sale.	Nettoyez le filtre comme décrit à la page 38. Eteignez l'appareil puis rallumez-le ensuite.
	Linge trop humide.	Dans le lave-linge, essorez le linge à une vitesse plus élevée. Eteignez l'appareil puis rallumez-le ensuite.
	Sélection d'un programme inadapté.	Sélectionnez le programme en vous servant du tableau de sélection des programmes (voir page 38). Eteignez l'appareil puis rallumez-le ensuite.
	Dépassement de la durée maximale de séchage	Nettoyez le filtre (voir page 41). Vérifiez l'orifice de sortie du conduit d'échappement. Dans le lave-linge, essorez le linge à une vitesse plus élevée.
	Dépassement de la température limite du moteur.	Eteignez le sèche-linge, laissez-le refroidir pendant 30 minutes. Rallumez-le ensuite. Faites démarrer un programme.

Problème	Cause possible	Remède
L'éclairage du tambour ne fonctionne pas.	Vous n'avez pas sélectionné de programme.	Sélectionnez un programme.
	Lampe défectueuse, ampoule grillée.	Changez l'ampoule, voir page 42.
	L'éclairage ne reçoit pas d'électricité.	Veillez à ce que l'électricité arrive.
	L'ampoule est lâché.	Serrez l'ampoule. Enlevez et réinstallez la couverture comme dirigé à la page 42.
Le voyant «Start/Stop ne s'allume pas. Le voyant «wrinkle block» est allumé. La mention «000» s'affiche sur l'écran.	Défaut dans le déroulement du programme ou dysfonctionnement.	Eteignez le sèche-linge, laissez-le refroidir pendant 30 minutes puis rallumez-le. Relancez ensuite le programme.
Le filtre LED de fibre clignote après que le filtre de fibre ait été nettoyé.	Le clignotement du filtre LED de fibre n'est pas une indication d'un problème. Il est employé seulement comme rappel pour nettoyer le filtre de fibre.	Aucune action requise. La LED cessera le clignotement.

SERVICE ET RÉPARATIONS

⚠ PRUDENCE ⚠

PRUDENCE – Etiquetez tous les fils avant de les débrancher lorsque vous effectuez des contrôles de service. Des erreurs de câblage peuvent engendrer un fonctionnement inadéquat et des situations dangereuses. Après avoir soumis l'appareil à une opération de service, vérifiez qu'il fonctionne correctement.

Ce sèche-linge ne demande aucun entretien particulier autre que les opérations de nettoyage et entretien précédemment mentionnées.

i Si votre sèche-linge vous cause des problèmes, reportez-vous au tableau de la page 51 avant d'appeler le service après-vente (SAV).

Si des opérations de SAV s'avèrent nécessaires, veuillez contacter votre installateur ou un point de SAV agréé. Ne tentez pas de réparer l'appareil par vos propres moyens. Toute réparation accomplie par des personnes non autorisées risque de vous faire perdre le bénéfice de la garantie.

Si le sèche-linge vous cause un problème quelconque, et si les prestations reçues ne vous ont pas satisfait,

- Commencez s.v.p. par contacter votre installateur ou l'entreprise de SAV Bosch agréée située dans votre région, et expliquez-lui les raisons de votre mécontentement. Ceci suffira normalement à résoudre le problème.
- Si le problème persiste après avoir collaboré avec votre installateur ou avec le technicien du SAV, faites-nous le savoir soit en nous écrivant à l'adresse suivante,
BSH Home Appliances
5551 McFadden Ave.
Huntington Beach,
CA 92649, USA

soit en nous appelant au numéro suivant :

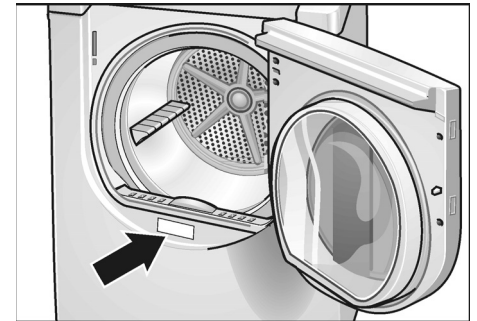
1-800-944-2904.

Si vous nous écrivez, n'oubliez pas de joindre / Si vous nous appelez, n'oubliez pas de préparer, les informations suivantes :

- Le numéro du modèle
- Le numéro de série
- La date d'achat d'origine
- La date d'apparition du problème
- Une description du problème

De même, si vous nous écrivez, veuillez joindre une copie de la facture et nous indiquer un numéro de téléphone où nous pouvons vous joindre dans la journée.

Vous trouverez le numéro du modèle et le numéro de série sur la plaque signalétique située sur la face intérieure du panneau avant.



DECLARATION DES GARANTIES SECHE-LINGE BOSCH

Les garanties fournies par BSH Home Appliances (ci-après dénommé «Bosch») dans la présente déclaration s'appliquent exclusivement aux sèche-linge Bosch vendus par Bosch

au premier acheteur par Bosch ou par ses revendeurs agréés, ses détaillants ou centres de service après-vente, aux Etats-Unis ou au Canada. Les

garanties figurant dans cette déclaration ne sont pas transférables. Les garanties figurant dans cette déclaration ne sont pas transférables.

DUREE DE LA GARANTIE	ETENDUE DE LA GARANTIE
1 an de garantie limitée complète à compter de la date d'installation*	Bosch réparera ou remplacera gratuitement toute pièce s'avérant défectueuse dans les conditions normales d'utilisation domestique, frais de main d'œuvre et d'expédition inclus. Les réparations sous garantie devront être effectuées par un Centre Bosch du Service Après-Vente (SAV).
2 ans de garantie limitée à compter de la date d'installation*	Bosch fournira gratuitement les pièces de rechange de toute pièce s'avérant défectueuse dans les conditions normales d'utilisation domestique, frais d'expéditions inclus.
2 ans de garantie limitée sur l'électronique à compter de la date d'installation*	Bosch réparera ou remplacera gratuitement tout microprocesseur ou carte à circuits imprimés s'avérant défectueux dans les conditions normales d'utilisation domestique, sur une période de deux ans courant depuis la date d'installation d'origine, frais de main d'œuvre exclus.
2 ans de garantie limitée sur le moteur à compter de la date d'installation*	Bosch réparera ou remplacera gratuitement tout moteur ou composant du moteur s'avérant défectueux dans les conditions normales d'utilisation domestique, sur une période de deux ans courant depuis la date d'installation d'origine, frais de main d'œuvre exclus.2
*La date d'installation sera réputée la plus précoce des deux dates suivantes : soit la date à laquelle le sèche-linge a été installé, soit dix jours ouvrables après la date de livraison.	

Exclusions de garantie

La présente garantie ne couvre pas les appels du SAV et les réparations nécessaires pour rectifier l'installation du sèche-linge, pour fournir des instructions sur l'utilisation de cet appareil, pour remplacer les fusibles /disjoncteurs ou vos lignes électriques domestiques, ou pour réparer un sèche-linge qui a été utilisé d'une façon non conforme au mode d'utilisation domestique normal ou habituel.

En outre, les garanties fournies dans la présente déclaration excluent tout défaut ou dommage engendré par un accident, une modification, une utilisation inexperte ou abusive, une installation incorrecte, des travaux d'entretien par des personnes non autorisées, et des facteurs externes échappant à toute influence de Bosch tels qu'un incendie, une inondation et la force majeure, ou une installation non conforme avec la réglementation locale applicable aux lignes électriques et aux fusibles de protection. Les frais de main-d'œuvre engendrés par les réparations ou le remplacement de tout sèche-linge après une période d'un an courant depuis la date d'installation ne

seront plus couverts par la présente garantie.

Toutes pièces remplacées et/ou réparées acquerront le statut des pièces d'origine aux fins de la période de garantie applicable : elles n'engendreront aucune prolongation de la période de garantie. SAUF EXCEPTION LEGALE, LA PRESENTE GARANTIE REMPLACE TOUTES AUTRES GARANTIES EXPLICITES OU IMPLICITES, Y COMPRIS LES GARANTIES IMPLICITES DE COMMERCIALISABILITE ET D'ADEQUATION A UN BUT PRECIS. BOSCH DECLINE TOUTE RESPONSABILITE DES DOMMAGES ACCESSOIRES ET CONSECUTIFS.

POUR BÉNÉFICIER DES PRESTATIONS EN GARANTIE, VEUILLEZ CONTACTER LE CENTRE DE SERVICE APRÈS-VENTE LE PLUS PROCHE OU APPELEZ LE 1-800-944-2904, OU ÉCRIVEZ À L'ADRESSE SUIVANTE : BSH HOME APPLIANCES CORP.

5551 MCFADDEN AVENUE,
HUNTINGTON BEACH
CA 92649.

VEUILLEZ À BIEN INDIQUER LE NUMÉRO DU MODÈLE DE SÈCHE-LINGE, SON NUMÉRO DE SÉRIE, LA DATE D'ACHAT, LE NOM ET L'ADRESSE DU REVENDEUR, AINSI QU'UNE COPIE DE LA FACTURE.

Índice

Definiciones	47
INSTRUCCIONES IMPORTANTES DE SEGURIDAD	48
INSTRUCCIONES PARA LA PUESTA A TIERRA	49
INSTRUCCIONES PARA LA INSTALACIÓN	49
Introducción	49
Información sobre eliminación de residuos	49
Antes de instalar el secador	50
Conexión eléctrica	51
Conexión de gaz	51
Conexión del tubo de aire de salida	52
Accesorios	53
La instalación paso a paso	54
Lista a controlar antes de usar el secador	55
Preparar el secador para el transporte, paso a paso	55
INSTRUCCIONES DE FUNCIONAMIENTO	56
Su nuevo secador	56
Panel de manejo	57
Resumen de instrucciones	58
Informaciones para su seguridad	59
Antes de encender su secador	59
Uso del secador	59
Protección del secador	59
Protección del medio ambiente	59
Antes de usar el secador por primera vez	59
Desconexión temporal del secador	60
Ropa	60
Identificación de prendas	60
Consejos para el secado	60
Selección del programa	60
Programas automáticos	60
Programas temporizados	60
Opciones	60
Indicador de estado del programa	61
Tabla de selección de programas	61
Funcionamiento	62
Uso del secador	62
Uso de la canastilla (opciones)	63
Limpieza y cuidado	64
Limpieza del secador	64
Limpiar el filtro para pelusas	64
Limpiar el tubo de aire de salida	65
Limpiar el sensor de humedad	65
Limpieza de la protección del rodamiento	65
Cambiar la lamparilla	65
Localización de fallos	66
SERVICIO y REPARACIONES	67
DECLARACIÓN DE GARANTÍA PARA SECADORES PARA ROPA BOSCH	68
Exclusiones	68

Lo felicitamos por haber seleccionado un secador de ropa Bosch, que eligen todos aquellos que requieren un rendimiento excepcional en sus secador de ropa.

El secador cumple con la norma ANSI Z21.5.1/CGA 7.1-2002 Secadores de ropa Vol. 1

Uno de las características fundamentales de su secador es el bajo consumo de energía.

Una filosofía fácil en el manejo, una gran variedad de programas de lavado y una sensación de solidez, hacen de este secador un asistente sumamente útil en su hogar.

El secador Bosch presenta las siguientes características estándar:

- un sistema de secado de alto rendimiento
- un tambor de acero inoxidable grande de 6,4 pies cúbicos (181 l) con una capacidad hasta 17,6 lbs (8 kg)
- gran abertura de carga (18"/457 mm), con un sistema de traba para la puerta con paro automático de tambor
- funcionamiento excepcionalmente sereno
- ciclos automáticos controlados por sensor
- Ciclos temporizados de 20, 40 y 60 minutos

Todo secador que deja nuestra planta, ha aprobado un control de rendimiento realístico y está en perfectas condiciones de funcionamiento. Si tiene cualquier pregunta respecto de la instalación de nuestros secadores, nuestro grupo de servicio a clientes, gustosamente le responderá.

En nuestra página de web, encontrará más información referida a nuestros productos y su selección: www.boschappliances.com

Información

Rogamos leer y seguir estas instrucciones de funcionamiento e instalación conjuntamente con todas aquellas informaciones entregadas con nuestra máquina de lavar.

CUIDADO

CUIDADO – Favor de consultar las placa de características para asegurarse respecto del combustible para el cual está fabricado su secador.

Definiciones

ADVERTENCIA

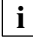
ADVERTENCIA – Esto significa que puede resultar la muerte o lesiones graves debido a la inobservancia de esta advertencia.

CUIDADO

CUIDADO – Esto significa que pueden resultar lesiones debido a la inobservancia de esta advertencia.

CUIDADO

CUIDADO – Esto significa que pueden resultar daños debido a la inobservancia de esta advertencia.

 Este símbolo se utiliza para llamar la atención del usuario respecto de algo en particular.

ADVERTENCIA: Por su seguridad, las informaciones contenidas en este manual deben tenerse en cuenta a fin de minimizar el riesgo de incendios, explosión o de prevenir daños a la propiedad, personales o la muerte.

- No almacene ni utilice gasolina u otros gases o líquidos inflamables en la cercanía de éste u otros electrodomésticos.
- **SI SIENTE OLOR A GAS**
 - No intente encender ningún electrodoméstico.
 - No toque conmutador eléctrico alguno. No utilice ningún teléfono dentro de sus edificio.
 - Evacue todas las personas del ambiente, edificio o zona.
 - Llame inmediatamente a su proveedor de gas desde el teléfono de una casa vecina. Siga las instrucciones de su proveedor de gas.
 - Si no puede comunicarse con su proveedor de gas, llame a los bomberos.
- La instalación y el servicio deben efectuarlos un instalador calificado, una agencia de servicio o el proveedor de gas.

⚠️ INSTRUCCIONES IMPORTANTES DE SEGURIDAD

1. Lea todas las instrucciones antes de utilizar el secador.
Los secadores Bosch se entregan con instrucciones de manejo, cuidado e instalación.
2. No seque prendas que anteriormente hayan sido limpiadas, lavadas, remojadas, o se le hayan quitado las manchas con gasolina, limpiadores en seco, solventes, otros productos inflamables o explosivos de las cuales puedan desprenderse vapores que puedan encenderse o explotar.
3. No permita que los niños jueguen en o con el secador. Debe ejercerse una supervisión estricta cuando éstos se encuentran cerca del secador.
4. Cuando los niños llegan a una edad adecuada para operar equipos electrodomésticos, es responsabilidad legal de los padres o reponsables legales, hacerlos instruir por personal adecuadamente calificado respecto de las medidas de seguridad correspondientes
5. No introduzca las manos en el electrodoméstico mientras el tambor está girando.
6. No instale o almacene este electrodoméstico a la intemperie.
7. No juegue con los controles.
8. No reparar o reemplazar ninguna parte del secador ni intentar cualquier tipo de servicio a menos que haya sido recomendado en las instrucciones de mantenimiento o en instrucciones de reparación para usuarios, que se hayan comprendido plenamente y para las que se disponga de habilidad.
9. No utilice suavizadores para prendas u otros productos para eliminar las cargas estáticas, salvo que estén recomendados por el fabricante de las prendas.
10. No seque con calor, artículos que contengan espuma de goma (puede denominarse espuma de latex) u otros materiales que se parezcan a los mencionados. Las espumas de goma pueden encenderse por autoignición cuando se los calienta bajo ciertas circunstancias.
11. Limpie el filtro para pelusas antes o después de cada carga.
12. Mantenga el área alrededor de la salida de aire despejada y las zonas adyacentes libres de pelusas, suciedad y polvo. La obstrucción de la abertura reduce el flujo de aire y produce un sobrecalentamiento.
13. El interior de la máquina y de la salida de aire debe limpiarse periódicamente por personal calificado.
14. La falta de cualquiera de los paneles o coberturas, incluyendo la cobertura de la luz, puede dejar al descubierto circuitos eléctricos que ponen en peligro la vida.
15. Almacene todos los productos químicos y aditivos en un lugar fresco y seco de acuerdo con las recomendaciones del fabricante y de modo que no estén al alcance de los niños.
16. A fin de reducir el peligro de incendios, no ponga ropa, paños para la limpieza, estropajos o cosas similares en el secador, si contienen sustancias inflamables como aceites vegetales, aceite de cocina, aceites minerales o destilados de éstos, ceras, grasas, etc. en el secador. Estas prendas pueden contener sustancias inflamables aún, que pueden producir humo o incendiarse espontáneamente aún después de haberlas lavado.
17. No deben almacenarse materiales combustibles, gasolina y otros gases o líquidos inflamables cerca del secador.
18. No ubique prendas sucias con aceite de cocina en su secador. Prendas con este tipo de suciedad pueden contribuir a reacciones químicas que pueden causar un incendio.
19. No se siente sobre el secador.
20. A fin de evitar incendios, NO UTILICE cables de prolongación para conectar el secador a la alimentación de energía eléctrica.
21. El secador debe usarse únicamente para lo que fue diseñado.
22. Controle siempre los bolsillos y quite todos los objetos contenidos en éstos. Especialmente peligrosos son los cigarrillos y encendedores.
23. No ponga en funcionamiento hasta tanto se cambien cables de potencia y / o enchufes defectuosos.
24. No utilice el secador si se quitaron paneles o protecciones.
25. No utilice el secador si faltan piezas o están rotas.
26. No elimine la función de los dispositivos de seguridad.
27. No utilice conductos de material plástico o materiales flexibles no metálicos. Estos materiales pueden presentar peligros de incendios.
28. No haga funcionar el secador antes de asegurarse que fue instalado de acuerdo con las INSTRUCCIONES DE FUNCIONAMIENTO y que la instalación y puesta a tierra cumplen con todos los reglamentos locales y/u otras reglas y requerimientos de aplicación.
29. Fallos en la instalación, el mantenimiento y/o operación del secador respecto de la instrucciones del fabricante, pueden ser causa de lesiones o daños.
30. **ANTES DE SACAR EL ELECTRODOMESTICO DE SERVICIO, quite la puerta de acceso al compartimento de secado..**
31. Para evitar daños en el piso y también en el crecimiento de moho, no permita que salpicaduras o derramamientos de

agua se acumulen alrededor o debajo del secador.

32. No deben instalarse otros equipos de uso doméstico que funcionen quemando combustibles en el mismo ambiente.
33. Desmontando cualquier de los paneles, incluyendo el panel de manejo redondo ubicado en el frente, pueden quedar expuestos cantos y puntos filosos, conexiones eléctricas y superficies calientes.

Notas:

- A. Las INSTRUCCIONES IMPORTANTES DE SEGURIDAD y los LLAMADOS DE ATENCIÓN que se presentan en este manual no cubren todas las situaciones posibles que pueden tener lugar. Deben aplicarse el sentido común, precaución y cuidado al instalar, mantener o hacer funcionar el secador.
- B. Consultar siempre con el comerciante, distribuidor,

agente de servicio o fabricante cualquier problema o bien condiciones que no se han comprendido completamente.

- C. Tenga en cuenta también las informaciones de seguridad en las INSTRUCCIONES DE INSTALACIÓN y las INSTRUCCIONES DE FUNCIONAMIENTO.

CONSERVE ESTAS INSTRUCCIONES PARA CONSULTAS POSTERIORES.

En caso de un cambio de propietario, este manual debe entregarse conjuntamente con el secador.

INSTRUCCIONES PARA LA PUESTA A TIERRA

Este electrodoméstico debe conectarse a tierra. En caso de fallos en el funcionamiento o roturas, la conexión a tierra reduce el riesgo de descargas eléctricas, presentando una

vía de baja resistencia por la que puede fluir la corriente. Este electrodoméstico está provisto de un cable de conexión con un conductor de tierra y el tomacorriente con la toma de tierra correspondiente. El tomacorriente debe conectarse en un enchufe adecuado que esté de acuerdo con todos los reglamentos y ordenanzas locales.

 ADVERTENCIA 
La conexión inadecuada de la puesta a tierra de este equipo puede conducir a un riesgo elevado de descargas eléctricas. Haga controlar la instalación por un electricista calificado si tiene dudas, a fin de determinar que el secador esté correctamente conectada a tierra. NO modifique el enchufe suministrado con el secador. Si no es adecuado al tomacorriente, haga instalar un tomacorriente adecuado por un electricista calificado o cambie el cable por uno que sea adecuado al secador.

¡CONSERVE ESTAS INSTRUCCIONES!

INSTRUCCIONES PARA LA INSTALACIÓN

Introducción

Lea estas instrucciones completamente y con cuidado. Esto va a evitar que pierda tiempo y esfuerzo, permitiendo lograr un funcionamiento óptimo del secador. Asegúrese de tener en cuenta todas las advertencias y precauciones.

Estas instrucciones para la instalación están destinadas para ser usadas por personal calificado. Adicionalmente a estas instrucciones, el secador debe instalarse de acuerdo con todas las reglas locales o bien, en su ausencia, con:

- en los **Estados Unidos**, el National Electric Code, ANSI/NFPA70 en su última edición y las reglas municipales y/o locales vigentes.
- En **Canadá**, el Canadian Electrical Code C22.1 en su última edición y las reglas municipales y/o locales vigentes.



La instalación de gas debe cumplir los reglamentos locales o bien, en ausencia de éstos, el National Fuel Gas Code, ANSI Z223.1/NFPA 54 o bien CAN/CSA-B149.1 del código de instalaciones.

Nota:

Este secador posee la aprobación UL y C-UL para un funcionamiento seguro hasta alturas de 7700 ft (2350 m) sin más modificaciones en los componentes de gas natural o gas propano.

Información sobre eliminación de residuos

Eliminación del embalaje

 ADVERTENCIA 
Mantenga alejados a los niños tanto del cartón como de los demás componentes del embalaje. Existe peligro de asfixia con la lámina plástica y con los cartones plegados.

Ninguno de los materiales del embalaje es dañino para el medio ambiente y pueden reciclarse. Rogamos eliminarlos según las normas de protección del mismo.

Rogamos ponerse en contacto con su vendedor o la autoridad competente respecto de las disposiciones vigentes.

Desecho de electrodomésticos

⚠️ ADVERTENCIA ⚠️

En los artefactos que se van a poner fuera de servicio, desconecte el enchufe principal, corte el cable de red y elimine el cable junto con el enchufe.

Para evitar que los niños al jugar se pongan en peligro al quedar atrapados, asegurarse de que el mecanismo de cierre de la puerta esté desactivado o desmonte la puerta.

¡Los electrodomésticos viejos no son basura! Pueden utilizarse materias primas valiosas en un reciclado adecuado al medio ambiente.

Rogamos ponerse en contacto con su vendedor o la autoridad competente respecto de las disposiciones vigentes.

Antes de instalar el secador

Desembalaje del electrodoméstico

⚠️ CUIDADO ⚠️

El secador es sumamente pesado. No levante el electrodoméstico personalmente. Tampoco debe levantárselo de partes protuberantes debido al riesgo de quebraduras.

CUIDADO

Quite el embalaje cuidadosamente, para evitar daños en las superficies.

Controle si el secador se ha dañado durante el transporte. No conecte un secador visiblemente dañado. En casos de duda, consulte con su vendedor.

Volumen de entrega

CUIDADO

Una vez eliminado el embalaje, quite inmediatamente todos los objetos contenidos en el tambor.

El secador se entrega como unidad completa. Las instrucciones de funcionamiento y los accesorios que forman parte del volumen de entrega se encuentran en el tambor.

Emplazamiento

⚠️ ADVERTENCIA ⚠️

No instale el secador:

- en el exterior,
- en ambientes donde gotea el agua,
- ceca de materiales inflamables,
- en ambientes con riesgo de congelamiento,
- en ambientes donde puede haber gas u otros combustibles,
- en armarios con puertas que se puedan trabar o en nichos.
- con otro equipo a quemador de combustible en el mismo retrete.

El ambiente de emplazamiento debe poseer una buena ventilación, de otro modo el secador trabajará con rendimiento reducido.

No opere el secador a temperaturas superiores a los 104 °F (40 °C) o debajo de 41 °F (5 °C). Las temperaturas bajas pueden afectar la secuencia el programa automático y pueden prolongar los tiempos del secado.

La superficie donde se vaya a instalar el secador deben estar limpias, parejas y firmes. ¡No instale el secador sobre alfombras! Compense las irregularidades en el piso mediante los pies ajustables en altura.

Instale el secador y nivélelo un lado respecto del otro y la parte anterior respecto de la parte posterior. Utilice un nivel de alcohol.

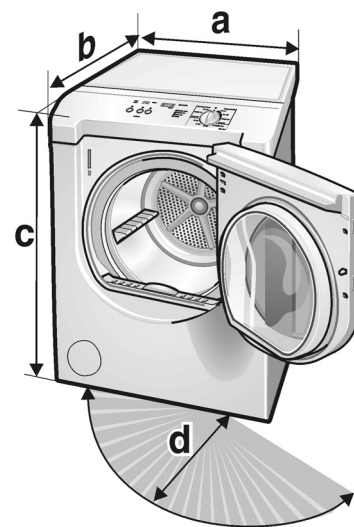
¡Nunca desenrosque totalmente los pies ajustables!

El tamaño del área de instalación depende de las medidas del secador.

¡Asegúrese que exista espacio suficiente para el área de giro de la puerta!

⚠️ ADVERTENCIA ⚠️

Si se desea hacer funcionar el secador en un garaje, debe instalárselo sobre una base sólida con una elevación de por lo menos 18 pulgadas sobre el nivel del suelo, a fin de reducir la probabilidad de que vapores inflamables se incendien y además, para asegurarlo contra daños producidos por el eventual movimiento de vehículos



	Medidas	Peso
a	27.0" (686 mm)	125 lbs (56 kg)
b	31.8" (808 mm)	con embalaje
c	37.2" (954 mm)	143 lbs (64 kg)
d	19.7" (500 mm)/ángulo	170 – 180°

Si instala el secador en un retrete, observe el cumplimiento de las distancias mínimas de acuerdo con la siguiente tabla:

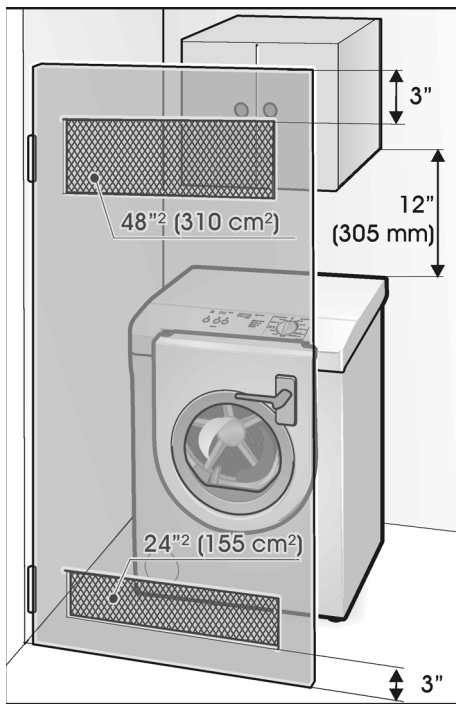
Distancias de instalación mínimas

	Retrete
A los lados	0" (0 mm)
Arriba	12" (305 mm)
Detrás*	0" (0 mm)

* tan cerca de la pared como lo permita la tubería de gas y de ventilación

Información importante respecto de las distancias mínimas:

- Dependiendo de la ubicación de la salida de aire, debe sumarse una distancia adicional mínima de 5½" (14 cm) sobre este lado, para el tubo y las abrazaderas (ver página 52)
- Distancias superiores a las indicadas, reducen la probabilidad que se produzca moho detrás del secador.
- Distancias adicionales reducen la transmisión del ruido.
- Distancias adicionales facilitan la instalación y el mantenimiento.
- Si se instala el secador en ambientes reducidos, las puertas del ambiente deberán estar equipadas con ventilaciones de dimensiones mínimas establecidas.



La puerta del secador se provee con bisagras sobre el lado derecho. Si así se lo requiere, las bisagras pueden cambiarse al lado derecho.

Si necesita cambiar las bisagras de lado, póngase en contacto con su vendedor o el servicio técnico a clientes (ver página 81).

Conexión eléctrica

INSTRUCCIONES PARA LA PUESTA A TIERRA

Este electrodoméstico debe conectarse a tierra. En caso de fallos en el funcionamiento o rupturas, la conexión de puesta a tierra reducirá el peligro de descargas eléctricas, proveyendo una vía de menor resistencia a la corriente. Esta máquina está equipada con un cable que contiene un conductor de puesta a tierra y un enchufe con la conexión correspondiente. El tomacorriente debe conectarse en un enchufe adecuado que esté de acuerdo con todos los reglamentos y ordenanzas locales.

ADVERTENCIA

La conexión incorrecta a tierra, del cable correspondiente del equipo, puede ser causa de descargas Eléctricas. Haga controlar el equipo por un electricista calificado si tiene dudas respecto de la correcta puesta a tierra del secador.

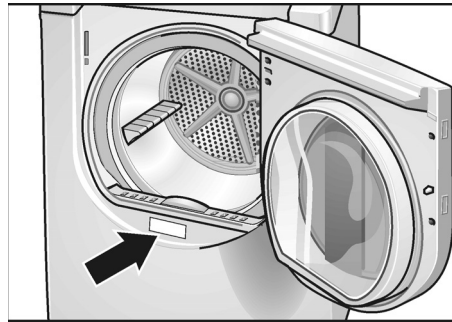
No modifique el enchufe que se provee con el equipo. Si no cabe en el tomacorrientes, haga instalar un tomacorrientes adecuado por un electricista calificado o bien haga cambiar el cable por uno adecuado, autorizado para el uso con el secador.

ADVERTENCIA

El secador debe conectarse a un ramal individual del circuito eléctrico mediante un enchufe que ha sido debidamente conectado al suministro de energía eléctrica y a tierra.

El voltaje del domicilio debe corresponder a aquél de las especificaciones del secador (chapa de características).

La chapa de características la encontrará en la parte interior del panel frontal.



Las especificaciones de la conexión al igual que los fusibles necesarios se especifican en la placa de identificación del electrodoméstico.

Asegúrese que:

- el enchufe de alimentación corresponda al enchufe.
- el cable de alimentación es adecuado al secador.
- el sistema de puesta a tierra esté correctamente instalado.

El cable de alimentación debe reemplazarlo exclusivamente un electricista.

El servicio a clientes dispone de cables para el recambio.

Volts	Hertz	Amperes	Wattios
110–120	60	9	1080

Conexión de gas

ADVERTENCIA

IPARA EVITAR PELIGRO DE EXPLOSIONES! Utilice una línea de gas nueva aprobada por AGA o CSA para la alimentación. Instale una válvula de paso. Sujete firmemente todas las conexiones de gas. Haga controlar por personal calificado que la presión de gas no exceda 14 in. W.C./ 3.49 kPa/ 0.506 psig. (GAS NATURAL O GAS PROPANO).

Un ejemplo de personal calificado incluye:

- personal autorizado de calefacción,
- personal de proveedor de gas autorizado,
- personal de servicio autorizado.

Fallas en estos casos pueden causar explosiones o fuego. ¡Peligro de muerte o lesiones! Debe controlarse que no hay pérdidas en todas las líneas, antes de poner en funcionamiento el electrodoméstico. Aplique agua jabonosa en las uniones y controle si se forman burbujas nuevas. ¡Estas señalan las pérdidas!

Cuando instale la alimentación de gas al tubo de ingreso de gas del secador, no exceda 310 lbf in (35 Nm).

ADVERTENCIA

Nunca use una llama abierta para determinar pérdidas de gas.

Tip de gas

Este secador de gas cuando equipado para el uso con GAS NATURAL, empleará un tamaño de orificio 46 y tiene una presión de salida de gas de 3.5" en. W.C. Este secador del gas cuando equipado para el uso con GAS de PROPANO, empleará un tamaño de orificio 1.21 Mm y tiene una presión de salida de gas de 11 en W.C.

Su secador debe tener la válvula adecuada para el tipo de gas que tiene en su hogar. La información referente a la válvula se encuentra en la chapa de características detrás de la puerta debajo del orificio de la misma.

Si las indicaciones antedichas no concuerdan con el tipo de gas a disposición, consulte con su

vendedor o bien nuestro equipo de servicio a clientes (ver página 67).

Línea de alimentación de gas

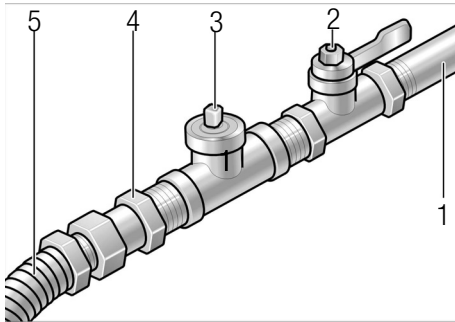
Se recomienda un tubo de $1/2$ " de diámetro interior.

Se acepta un tubo de $3/8$ " en longitudes inferiores a lo 20 ft (6.1 m) si lo permiten las reglamentaciones locales y el proveedor de gas.

La línea debe poseer una abertura de inspección de $1/8$ " con tapa, inmediatamente antes de la conexión de gas.

Debe instalarse:

- **En USA:**
una válvula de paso manual dentro de los 6 ft (1.8 m) antes del secador según el National Fuel Code, ANSI Z223.1.
- **En Canadá:**
una válvula de paso manual de acuerdo con el B149, del Installation Code, CAN/CSA B149.1 y CAN/CSA B149.2. Se recomienda instalar una válvula de paso manual dentro de los 6 ft (1.8 m) antes del secador.



- 1 – Línea de gas de $1/2$ "
- 2 – Válvula de paso para gas
- 3 – Abertura de inspección con tapa de $1/8$ "
- 4 – Conexión adaptadora de $3/8$ "
- 5 – Conector de gas flexible de $3/8$ " (hacia el secador)

La válvula de paso debe ser de fácil acceso para la apertura y el cierre.

Nota:

El secador debe funcionar correctamente siempre que se interrumpe la conexión de gas

Tubo de gas para el secador

El tubo de gas que sale de la parte posterior del secador es del tipo macho de $3/8$ ".

Conexión del secador

⚠ CUIDADO ⚠

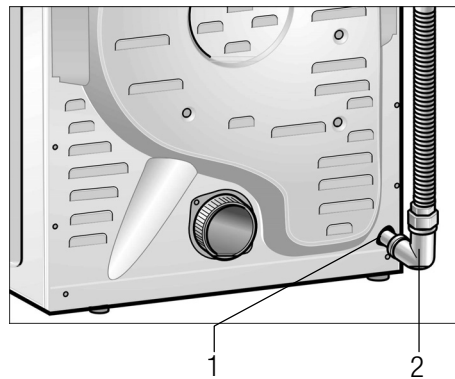
La conexión debe hacerla personal calificado.
El secador debe estar desconectado de la alimentación de gas, mientras se realicen las comprobaciones de presión.
Cuando se lo utilice por primera vez, debe asegurarse que no haya aire en la línea.

⚠ ADVERTENCIA ⚠

No utilice líneas y tubos de cobre cuando haga la conexión al gas natural.

La conexión puede modificarse si el tipo de la línea de alimentación, su tamaño y localización cambian.

Si las reglamentaciones locales lo permiten, utilice un conector flexible de acero inoxidable (diseño certificado por la American Gas Association o CSA International) para la conexión del secador.



Para reducir la distancia entre el frente del equipo y la pared, utilice un codo de $3/8$ " para acceder al tubo de gas del secador.

- 1 – tubo de gas ($3/8$ " tubo macho)
- 2 – Codo de $3/8$ "

Conexión del tubo de aire de salida

⚠ ADVERTENCIA ⚠

1. A fin de reducir el peligro de incendio, el aire de salida de este electrodoméstico DEBE CONducirse AL EXTERIOR.
2. A fin de reducir el peligro de incendio, no utilice las tuberías más largas que lo recomendado.
3. NO utilice tubos de material plástico o no metálicos con este secador.
4. NO utilice un tubo de un diámetro inferior a 4 pulgadas.
5. No utilice sombreretes con seguros magnéticos.
6. NO conduzca el aire de salida al interior de una chimenea, conducto de ventilación, attillo u otra tubería utilizada para fines de ventilación.
7. No instale un tubo flexible empotrado en la pared, un cielorraso o piso.
8. NO retuerza ni doble el tubo.
9. Controle y limpie la tubería regularmente. Como mínimo una vez al año.
10. El tubo de salida de aire debe terminar de modo de evitar la circulación inversa, la entrada de pájaros u otros animales.

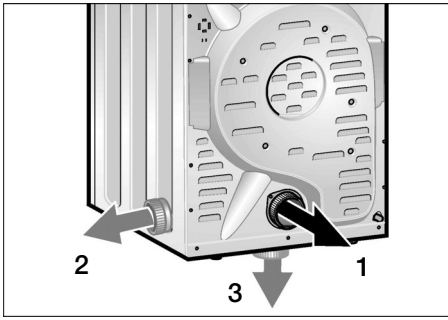
Los secadores Bosch se han construido para que el aire de secado sea conducido al exterior. Para evitar la formación de moho y la acumulación de pelusas y también para garantizar un rendimiento máximo, el aire de secado debe conducirse al exterior.

Salida de aire del secador

El secador se provee con una salida de aire ubicada en la parte posterior del mismo.

Para tener en cuenta los requerimientos de espacio y un sistema de ventilación eventualmente existente, se posibilitan las siguientes opciones de conexión:

- en el lado derecho del electrodoméstico,
- en la parte inferior del electrodoméstico.



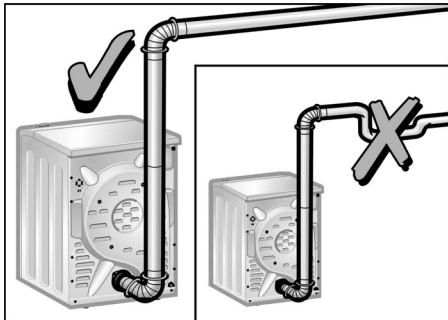
- 1 – Salida de aire en la parte posterior del electrodoméstico (estándar)
- 2 – Salida de aire en el costado del electrodoméstico (opción)
- 3 – Salida de aire en la parte inferior del electrodoméstico (opción)

Las conexiones especiales para el aire de salida se obtienen del servicio técnico para cada tipo de conexión (ver página 53):

- Salida de aire lateral
- Salida de aire por la parte inferior

El cambio de la salida de aire y una conexión opcional, debe efectuarla un técnico calificado.

Tubería

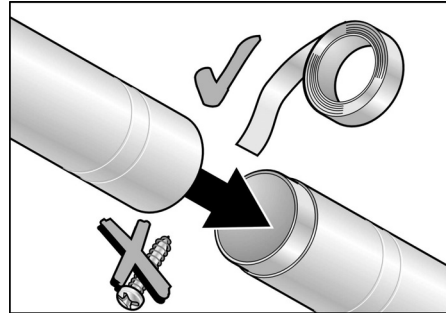


Para asegurar un rendimiento máximo, la tubería del secador debe ser tan corta como posible y con la menor cantidad de codos. Su secador trabajará en las mejores condiciones, si la tubería presenta la menor cantidad de estorbos para la circulación posible. Tuberías más largas que las recomendadas, prolongan el tiempo de secado, causan la acumulación de pelusas y acortan la vida útil del secador.

Debe utilizarse un tubo de cuatro pulgadas (aprox. 100 mm). Utilice tubos de metal rígidos o bien flexibles. NO utilice tubos de material plástico o materiales no metálicos con este secador.

NO utilice tornillos o sujetadores en el ensamble de la tubería, que se prolonguen hacia el interior de la misma. Funcionarán como puntos de concentración de pelusas.

Las juntas de los tubos deberán asegurarse con una cinta adhesiva de aluminio.



Todas las juntas de los tubos deben sellarse para que no presenten pérdidas. El extremo del tubo de menor diámetro, deberá señalar en el sentido de circulación del aire.

Independientemente de conectar la tubería a un sistema existente o nuevo, asegure que esté libre de pelusas.

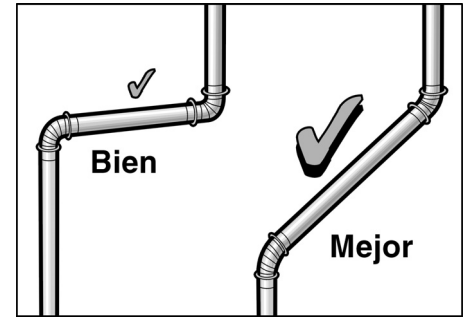
En la tabla siguiente se indican las longitudes máximas permitidas tanto para tuberías rígidas como para aquellas flexibles.

Número de codos de 90°	Tubo rígido	Tubo flexible
0	66 ft. (2011 cm)	45 ft. (1372 cm)
1	56 ft. (1707 cm)	36 ft. (1097 cm)
2	48 ft. (1463 cm)	29 ft. (884 cm)
3	39 ft. (1189 cm)	22 ft. (671 cm)
4	30 ft. (914 cm)	16 ft. (488 cm)

Nota:

La salida lateral e inferior ya tienen un codo de 90° en el interior del secador. Para determinar la longitud máxima, deberá agregar por lo tanto, un codo en la tabla anterior.

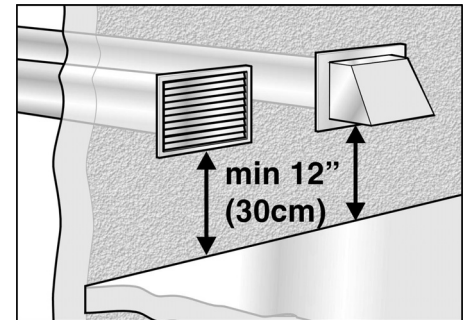
No se recomienda el uso de más de 2 codos de 90°. Para un resultado óptimo, separe los codos por lo menos con 4 pies de tubería recta, incluyendo en ello la distancia entre el último codo y el sombrerete.



Sombrerete de ventilación

El tubo de ventilación debe terminar en un sombrerete de ventilación aprobado con laminillas de cierre amortiguado. NO utilice un sombrerete con seguros magnéticos.

Para evitar restricciones en la ventilación, la salida debe presentar un distancia mínima de 12 pulgadas (30 cm) sobre el suelo u otra superficie de obstrucción.



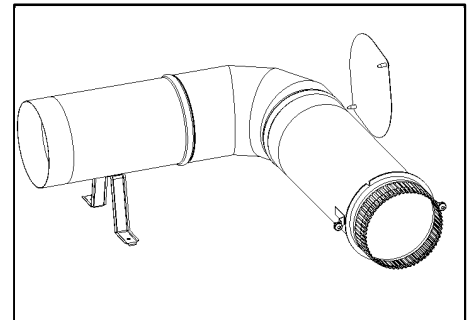
Partes necesarias

Las partes que se necesitan para el sistema de ventilación, (codos, tubos, salidas para la tubería) no forman parte del volumen de entrega del secador.

Accesorios

Las partes necesarias para el sistema de ventilación pueden adquirirse en el servicio a clientes o bien en su vendedor local. ¡Rogamos tener en cuenta las instrucciones de instalación que provee el fabricante!

Juego para salida lateral

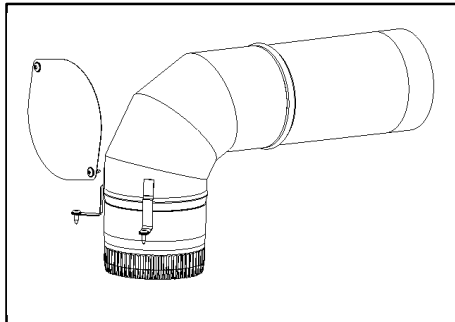


N° de parte: **WTZ1265**

Nota:

¡El número máximo de codos de 90° permitido es 4 (se incluye aquí, el del juego de adaptación)!

- i** Se requiere de una herramienta especial, para abrir el orificio en el panel lateral.
¡Póngase en contacto con el vendedor de su zona!

Juego de salida inferior

N° de parte: **WTZ1270**

Nota:

¡El número máximo de codos de 90° permitido es 4 (se incluye aquí, el del juego de adaptación)!

Juego domiciliario móvil

N° de parte: **WTZ1275**

Nota:

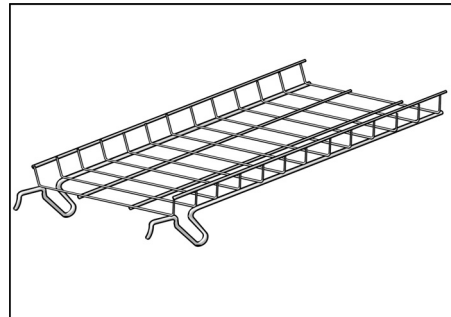
Rogamos hacer controlar por la autoridad competente de su zona si puede instalarse un secador a gas en su vivienda móvil. Una vez verificado, la instalación del secador debe realizarse de acuerdo con el Manufactured Home Construction An Safety standard, Título 24 CFR, parte 3280 (formerly the federal Standard for Mobile Home Construction and Safety, título 24, HUD (parte 289) y/o Standard CAN/CSA-Z240 MH).

Rogamos utilizar el juego para viviendas móviles **WTZ1275** para asegurar el secador en la estructura.

Ver página 52 «Conexión del tubo de aire de salida» para la instalación del tubo correspondiente.

El tubo de aire de salida debe estar sujeto a una parte no inflamable de la vivienda móvil y no debe terminar debajo de la misma.

Debe existir un apertura hacia el exterior durante la instalación. Asegúrese que el área de la apertura para el ingreso de aire del exterior sea de por lo menos dos veces el área de la salida de aire del secador o utilice un tubo de por lo menos 5" de diámetro o como mínimo 25 in² de tubo de salida para la abertura.

Canastilla para secar

N° de parte: **WTZ1290**

Utilice la canastilla para secar prendas de lana lavables (p. ej. suéteres) y calzados.

Juego de salida por la izquierda

N° de parte: **WTZ1260** (Secadores de Blancos)

N° de parte: **WTZ126S** (Secadores de Plata)

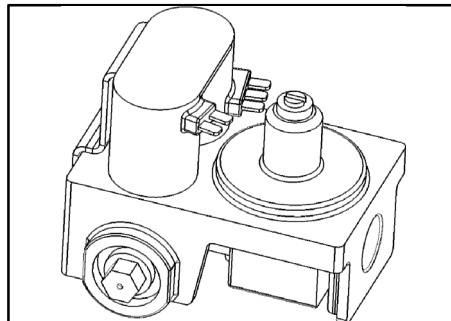
El haza de la puerta puede cambiarse al lado opuesto. De fábrica, la puerta presenta las bisagras a la derecha.

Montje sobre pedestal

N° de parte: **WTZ 1295** (Secadores de Blancos)

N° de parte: **WTZ 1295S** (Secadores de Plata)

Si monta el secador Sobre un pedestal de Bosch siga las instrucciones suministradas con el pedestal.

Juego LP Kit

N° de parte: **WTZ1280**

Las partes necesarias para la conversión lp, pueden obtenerse del comerciante de la zona. ¡Rogamos se tengan en cuenta las instrucciones suministradas por el fabricante adecuado!

Si usted posee un secador a gas propano y desea convertirlo a gas natura, (Service Kit 496297) rogamos consulte con su servicio técnico.

Nota:

El secador debe funcionar correctamente siempre que se interrumpe la conexión de gas

La instalación paso a paso

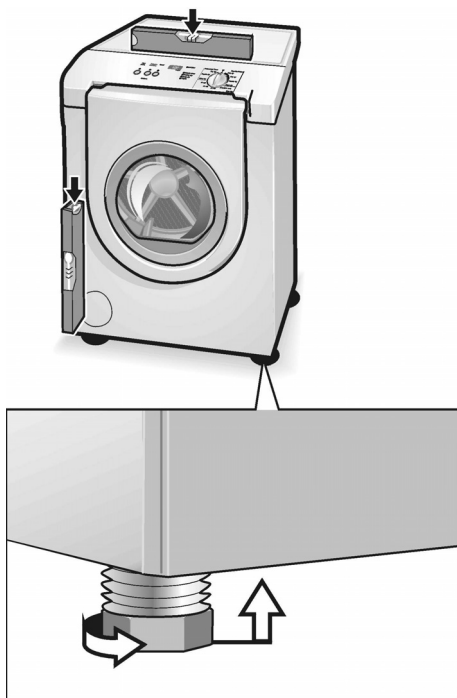
1. Quite el secador de su embalaje.
2. Quite todos los objetos del tambor.
3. Controle si el secador presenta daños visibles.
4. Ubique el secador cerca del sitio de emplazamiento.
5. Si hace falta, haga cambiar las bisagras a izquierdo por el servicio técnico (ver página 67).
6. Si hace falta, haga instalar la salida de aire del secador al exterior, por el servicio a clientes (ver página 52).
7. Haga conectar la alimentación de gas por un técnico calificado (ver página 51).
8. Instale la tubería de ventilación si hace falta.
!Siga las instrucciones de instalación del fabricante apropiado!

- i** Si las condiciones de espacio son muy reducidas, se recomienda montar las primeras partes de la tubería antes de ubicar el secador en su sitio de emplazamiento definitivo.
9. Ubique el secador en su sitio de emplazamiento definitivo.

CUIDADO

No arrastre el secador por el suelo, si los pies ajustables fueron extendidos. En este caso se dañarían tanto los pies ajustables, como la parte inferior del secador.

10. Posicione y nivele luego el secador.



El secador debe nivelarse con todos los pies ajustables firmemente asentados en el piso. No debe tambalearse. Si el secador no está nivelado o si se tambalea, deben regularse los pies ajustables. Los pies deben ajustarse hasta que el secador no se bambolea y está nivelado tanto de un lado respecto del otro, como de atrás respecto de adelante.

11. Conecte el tubo de ventilación a la salida de aire del secador.
12. Conecte el tomacorriente en el enchufe correspondiente.

Lista a controlar antes de usar el secador

1. Controle que los pasos 1 a 12 hayan sido efectuados correctamente.
2. Asegure que el secador está conectado a la alimentación.
3. Abra la válvula de paso.
4. Lea las instrucciones de funcionamiento, para enterarse como funciona su secador.
5. Efectúe un control del electrodoméstico:
 - Controle que el tambor esté vacío.
 - Cierre la puerta del secador.
 - Conmute el secador a «Extra dry» (Extra seco) y enciéndalo.
 - Párelo después de aproximadamente 3 a 5 minutos y abra la puerta.
6. Si el interior del secador está tibio, significa que está correctamente conectado. Apague el secador.
7. Si el secador no funciona, conmutelo a «Off». Consulte en la localización de fallos (ver página 66) de las INSTRUCCIONES DE FUNCIONAMIENTO y determine el fallo.

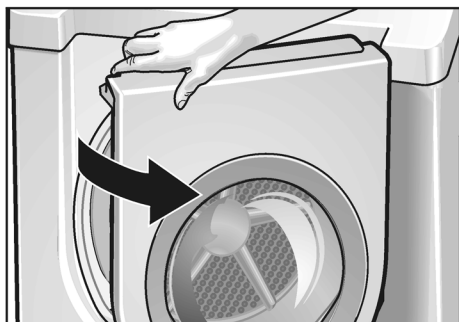
Preparar el secador para el transporte, paso a paso

1. Cierre la válvula de paso.
2. Gire el selector de programas a la posición «Off».
3. Desconecte el enchufe de alimentación.
4. Desconecte el alimentación de gas.
5. Desconecte el tubo de ventilación de la salida correspondiente en el secador.
6. Coloque todos los accesorios en el tambor.
7. Cierre la puerta y asegúrela con cinta adhesiva.
8. Atornille los pies ajustables en altura hasta que queden dentro de la carcasa para evitar que se dañen durante el transporte.

INSTRUCCIONES DE FUNCIONAMIENTO

Su nuevo secador

Abra la puerta (con la marca en colore)



...y cierre la puerta.

Filtro de pelusas



El panel de acceso ubicado en la esquina inferior izquierda del secador, es exclusivamente para casos de servicio

Panel de manejo

Botón Start/Stop (Arranque y parada)
Arranca, interrumpe y para el proceso de secado.

Botones para seleccionar las opciones
(adicionales a los programas, si así se lo requiere).
Ver página 60.

Delicates low temp. (Ropa fina baja temperatura)
Accione este botón cuando se trata de ropa sensible a la temperatura (p.ej. fibra acrílicas). La temperatura del proceso de secado se reduce y el tiempo se prolonga correspondientemente.

Signal (Señal)

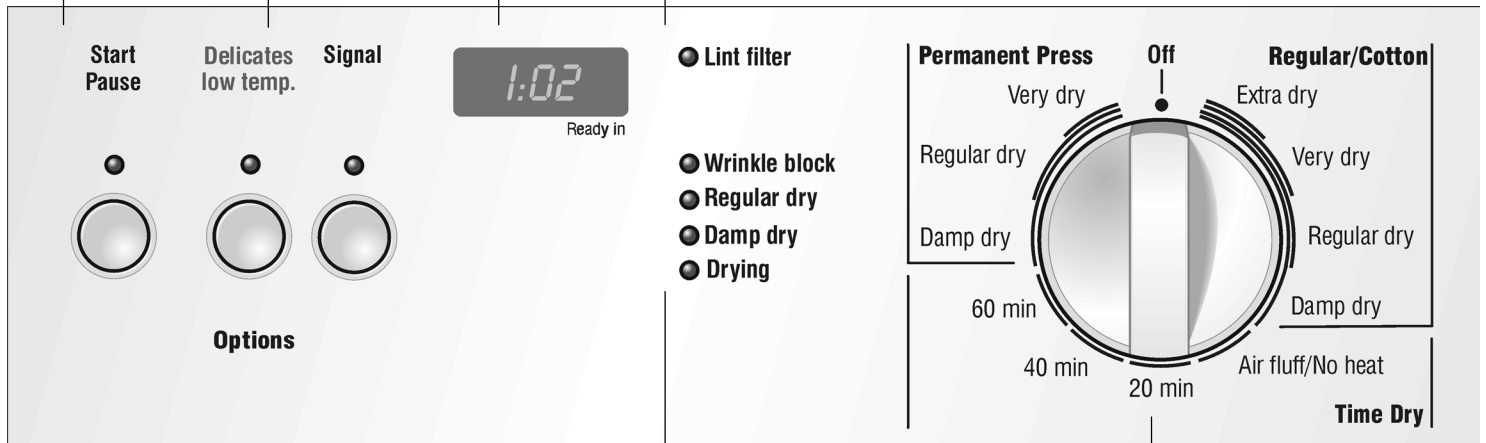
Una señal acústica indica el final del programa.

Display

Indica el tiempo remanente estimado para la finalización de los programas.

Luz indicadora (LED)

Sirve como un recordatorio para limpiar el filtro de la pelusa.



Selector de programa

Selecciona el programa. Ver página 60.
Puede girárselo en ambas direcciones.

Para apagar el secador, conmutar el selector de programa a «Off».

Luces indicadoras

Indica el estado vigente del proceso de secado.

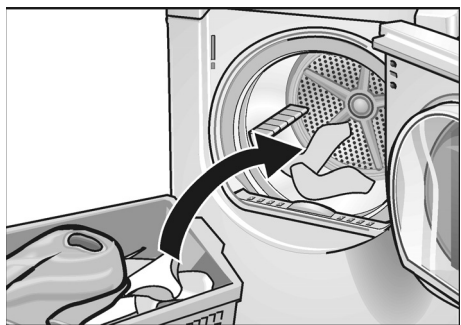
Resumen de instrucciones

⚠ CUIDADO ⚠

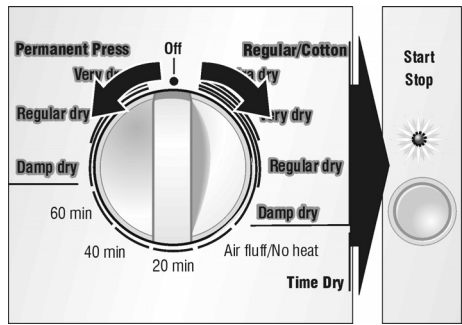
Antes de usar su secador lea y tenga en cuenta todas las instrucciones de instalación y funcionamiento.

Preparación del secador

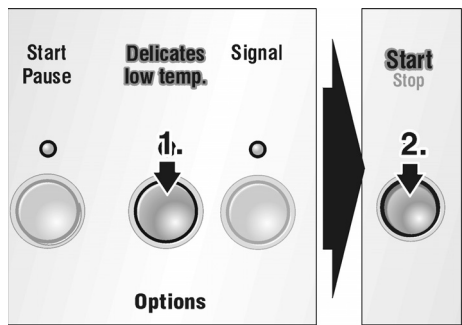
i Controle el filtro de pelusas. Debe limpiárselo antes y después de cada proceso de secado.



Selección de un programa

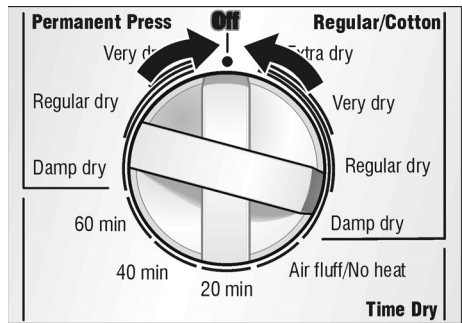


Seleccionar una opción...



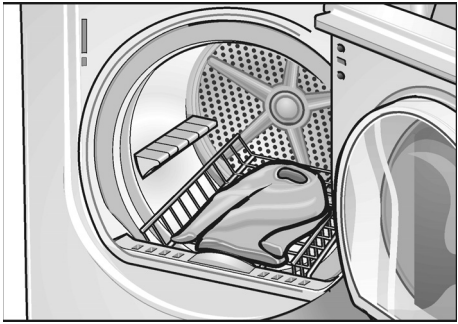
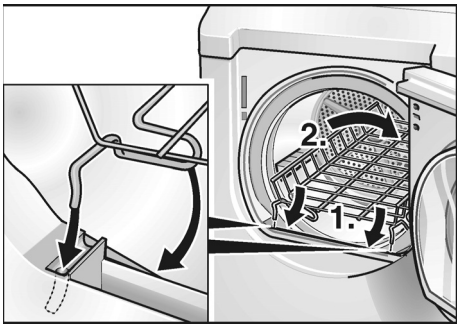
...a poner en funcionamiento el secador.

Apagar el secador



Uso de la canastilla

(Accesorio, ver página 53)



Informaciones para su seguridad

⚠️ ADVERTENCIA ⚠️ A

Tenga siempre en cuenta las INSTRUCCIONES DE SEGURIDAD IMPORTANTES (Ver página 48).

⚠️ ADVERTENCIA ⚠️ A

PARA EVITAR ¡PELIGRO DE EXPLOSIONES!
Mantenga alejadas del secador materiales inflamables y vapores como la gasolina.
Nunca seque prendas que estuvieron en contacto alguna vez con materiales inflamables (aún después de lavarlas).
Nunca seque objetos que hayan estado en contacto con aceites de ningún tipo (incluyendo aceite para cocinar).
Prendas que contengan espumas, goma o plástico, deben secarse sobre la soga o bien con un ciclo de suavizado con aire/Ningún calor.
No está permitido dejar prendas que contengan materiales inflamables (como encendedores) durante el secado.
El incumplimiento de estas instrucciones puede ser causa de explosiones o incendios.
¡Para evitar Peligro de muerto o lesiones!

Utilice el secador únicamente a nivel doméstico y con cantidades de ropa domiciliarias.

Debe usarse este secador únicamente con textiles lavados con agua.

Nunca haga funcionar el secador sin que la placa frontal de cobertura esté colocada.

Antes de encender su secador

Instale el secador de acuerdo con las instrucciones de instalación (ver página 60).

No utilice un secador, si éste presenta daños visibles. En casos de duda, consulte con su vendedor.

Uso del secador

No deje que niños jueguen sin vigilancia en las cercanías del secador.

Mantenga alejados del secador a los animales caseros. Antes de cerrar la puerta, controle el contenido del tambor.

Quite todos los objetos de los bolsillos. Los encendedores para cigarrillos son especialmente peligrosos.

¡Peligro de explosión!

Apague el secador cuando termina el programa.

Protección del secador

No se suba al secador.

No se apoye ni siente sobre la puerta.

¡Existe peligro de vuelco para el secador!

No use ni almacene solventes, potenciadores para detergentes o quitamanchas en las cercanías del secador.
Puede dañarse el secador.

No levante el secador, sujetándolo de partes sobresalientes del mismo.

¡Peligro de quebraduras!

Protección del medio ambiente

Consejos para la racionalización de energía

Bosch recomienda lo siguiente, para racionalizar energía, dinero y tiempo:

- **¡Escrura la ropa prolijamente!**
Antes del secado, centrifugue la ropa prolijamente en la máquina de lavar. ¡Utilice la velocidad de centrifugado máxima admisible para el tipo de ropa en cuestión! Velocidades de centrifugado elevadas reducen el tiempo de secado y el consumo de energía.
- **¡Utilice la carga óptima!**
Use la carga máxima recomendada. Sin embargo no debe excedérsela.
- **¡Limpie el filtro!**
Limpie el filtro antes y después de cada proceso de secado (ver página 64).
- **¡Ventile el ambiente de emplazamiento!**
Provea un suministro adecuado de aire fresco durante el proceso de secado.

- **¡No seque materiales inadecuados!**
No seque prendas engomadas o impermeables.
- **¡Limpie e inspeccione el sistema de salida de aire regularmente!**
Obstrucciones en este sistema prolongan el tiempo de secado.

Antes de usar el secador por primera vez

Antes de usar su secador por primera vez:

1. Lea este manual de instrucciones cuidadosamente.
2. Controle que el voltaje de alimentación esté de acuerdo con aquél indicado en la chapa de características. Ver la figura en página 67.
3. Controle que el tipo de gas corresponda con aquél indicado en la chapa de características del secador. Consulte la figura en la página 67.
4. Haga controlar por una persona calificada que la presión no exceda 14 in. W.C./ 3.49 kPa/ 0.506 psig. (Gas Natural o Gas Propano)
5. Quite todos los objetos del tambor.
6. Controle si el secador presenta daños visibles. Si encontrara alguno, póngase en contacto con su vendedor.
7. Friegue el interior del tambor con un paño húmedo.
8. Efectúe un control del electrodoméstico. Ver página 55.
9. Si el secador no funciona, conmutelo a «Off». Consulte la sección de localización de fallos menores (página 66) en el manual de instrucciones y determine la causa.

Desconexión temporal del secador

Haga funcionar su secador únicamente cuando está en su casa. Si tiene intención de irse de vacaciones o no va a usar el secador por un tiempo prolongado:

1. Corte el conmutador de alimentación.
2. Cierre la válvula de paso.
3. Si es posible, desconecte el enchufe de alimentación.
4. Limpie el filtro de pelusas.

Ropa

Identificación de prendas

Observe el símbolo que determina el tratamiento en las etiquetas de las prendas. Éstas proveen información importante respecto de eventuales limitaciones concernientes al proceso de secado.

No seque textiles de los siguientes tipos:

- Impermeables (p. ej. engomadas)
- Ropa fina (seda, cortinas sintéticas)

i ¡Seque prendas de lana o con alto contenido de lana, únicamente sobre la cesta!

i Utilice el programa «Air fluff/No heat» (suavizado a aire/Ningún calor) para secar materiales de espuma de goma o similares.

Consejos para el secado

En principio, lo siguiente encuentra aplicación en todos los programas:

- Para lograr un secado uniforme, seleccione la ropa de acuerdo al tipo de prenda y al programa a utilizar.
- Cierre cierres, ganchos y botones. Sujete cintas sueltas, delantales, cordeles, etc.
- No seque demasiado prendas de fácil cuidado. ¡Existe el peligro que se arruguen! Deje que estas prendas se sequen al aire libre.

- No planche la ropa inmediatamente después de secarla. Deje la ropa apilada por un momento. De esta manera se distribuye de modo parejo la humedad.
- Trabajos de punto (p. ej. camisas, prendas de jersey) muchas veces encogen cuando se las seca por primera vez. No utilice el programa «Very dry/Extra dry» (Muy seco/Extra seco).

Selección del programa

Para un secado óptimo, su secador ofrece diversos grupos de programas y opciones adicionales.

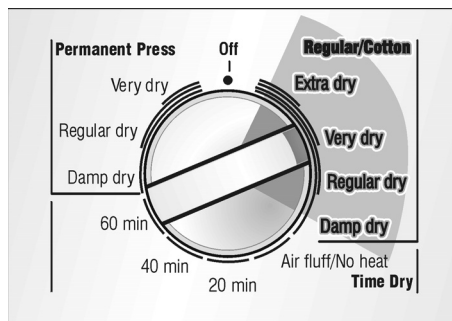
Seleccione el programa de secado necesario de la tabla de acuerdo con los ejemplos (ver página 61).

Programas automáticos

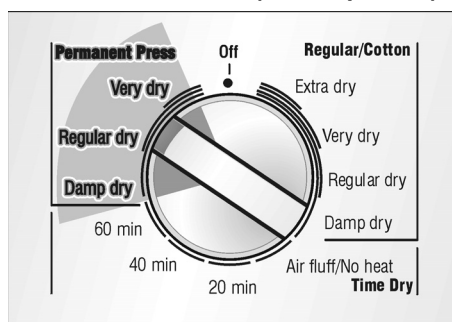
Hay diversos programas automáticos para los diferentes tipos de textiles:

Regular/Cotton (Normal/Algodón) o **Permanent Press** (Estampados)).

Regular/Cotton (Normal/Algodón)

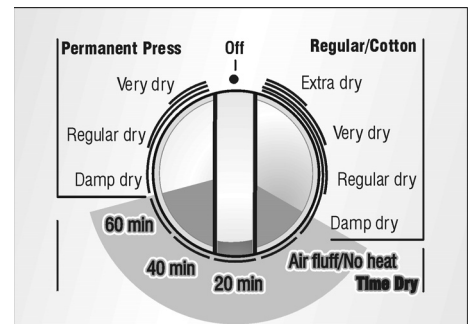


Permanent Press (Estampados)



El avance de los programas automáticos se controla a través de sensores. La duración de los programas depende del grado de humedad medido en la ropa y del grado de humedad seleccionado (p. ej. «Damp dry» (húmedo seco) o «Extra dry» (extra seco))

Programas temporizados

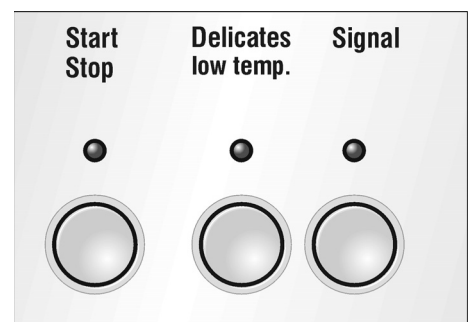


Los programas de tiempo tienen una duración específica (20, 40 o 60 minutos).

En la etapa de «Air fluff/No heat» (Suavizado a aire/Ningún calor), el secador funciona por 20 minutos con aire del medio ambiente y sin suministro de calor.

i Seque prendas de lana o con alto contenido de lana, únicamente sobre la cesta!

Opciones



Delicates low temp. (Ropa fina baja temperatura)

Presione el botón «Delicates low temp.» (Ropa fina baja temperatura) para tratar prendas sensibles a la temperatura. Tenga en cuenta las informaciones de cuidado o los símbolos sobre las prendas. Se reduce la temperatura y se prolonga el tiempo que dura el proceso de secado.

Signal (Señal)

Su secador emite diversos sonidos si se presiona el botón «señal».

Señal	Tipo
Arranque	Sonido corto
Fin de programa	Secuencia de sonidos cortos
Fallo en el funcionamiento	Secuencia de sonidos prolongados
Advertencia de mal funcionamiento	Secuencia de sonidos prolongados

i La señal «Advertencia de mal funcionamiento» está siempre activa.

Indicador de estado del programa

El secador utiliza un sistema de seguimiento para todos los programas, excepto los programas de tiempo. Un sensor de humedad controla permanentemente el grado de humedad de la ropa. El secado concluye inmediatamente, en cuanto se logra el grado de humedad ajustado.

El tambor sigue girando por una hora a intervalos específicos, a fin de evitar que la ropa se arrugue.

El grado de humedad vigente y el nivel logrado durante la secuencia del programa se indica a través de luces indicadoras: Drying (secado), Damp dry (no muy seco), Regular dry (secado normal) y Wrinkle block (protección contra arrugado).



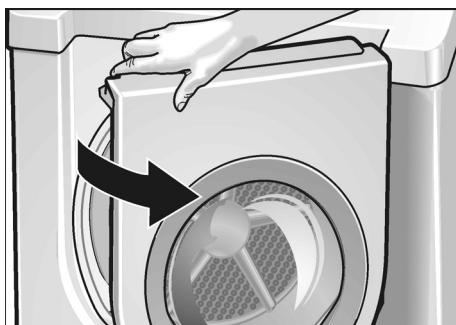
i Si se enciende el indicador luminoso «Wrinkle block» mientras el selector de programas está en la posición Off, corte el suministro de energía eléctrica apagando el conmutador correspondiente y llame al servicio a clientes.

Tabla de selección de programas

Programas automáticos		
Para algodón y ropa de color hecha de algodón o lino. Presione «Delicates low temp.» (Ropa fina baja temperatura) para ropa sensible a altas temperaturas.		Regular/Cotton (Normal/algodón)
Sábanas, manteles y toallas	Para ropa que, debe plancharse	Damp dry (Húmedo seco)
Sábanas, manteles y toallas, camisas, camisas deportivas, ropa de trabajo		
Camisas, camisas deportivas, trajes, pantalones, ropa de trabajo e interior	que no debe plancharse	Regular dry (Medianamente seco)
Toallas de rizo, repasadores, y toallas de mano, sábanas, ropa interior, soquetes de algodón	que no debe plancharse gruesos multicapa	Very dry (Muy seco)
Toallas de rizo, repasadores, y toallas de mano, sábanas, ropa interior, soquetes de algodón	particularmente gruesas o multicapa	Extra dry (Extra seco)
Salidas de baño de rizo y sábanas de rizo,		
Ropa de fácil cuidado (sin centrifugar) de fibra sintética o mezcla, algodón con poliéster. Presione el botón «Delicates low temp.» para prendas extremadamente sensibles a altas temperaturas.		Permanent Press (Estampados)
	Para ropa que,	
Pantalones, trajes, faldas, camisas, blusas, jeans, ropa deportiva con abundante fibra sintética, lencería	que no debe plancharse o solo ligeramente	Damp dry (Húmedo seco)
Camisas, blusas, ropa deportiva	que no debe plancharse	Regular dry (Medianamente seco)
Sábanas y manteles, equipos de gimnasia, anoraks, frazadas	que no debe plancharse gruesos multicapa	Very dry (muy seco)
Programas temporizados		
Prendas centrifugadas con bajo contenido de humedad, prendas pequeñas como toallas de baño, ropa de baño, repasadores. En el caso de cargas mínimas de 0.22 a 0.44 lb (esto es en un tambor pequeño), deberá seleccionarse un programa de secado controlado por tiempo. Presione el botón «Delicates low temp.» para ropas muy sensible a temperaturas. – Para algodón y ropa de color hecha de algodón o lino. – Textiles sensibles a altas temperaturas.		Time dry (Tiempo de secado) 20 min, 40 min, 60 min 20 min, 40 min, 60 min
Refrescado o ventilación de prendas con poco uso y secado de textiles muy delicados. Para todos los tipos de prendas incluyendo goma espuma (p. ej. almohadas, animales de peluche), plástico (p. ej. cortinas de baño, manteles), goma (p. ej. alfombrillas), nylon puro, polipropileno.		Air fluff/No heat (suavizado a aire/Ningún calor)

Funcionamiento

Uso del secador

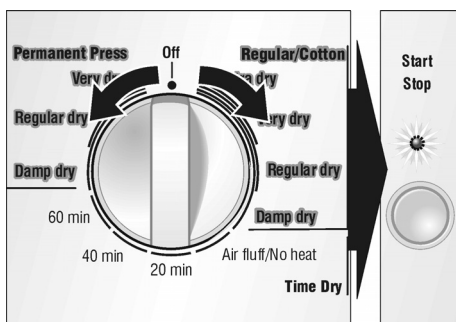


1. Abra la puerta.



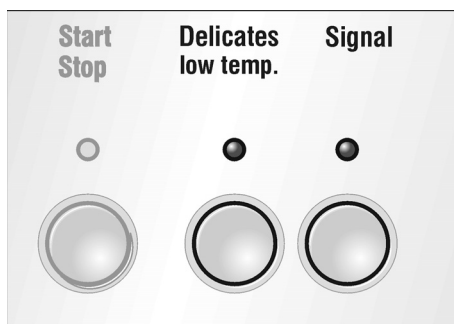
2. Controle el filtro.

El filtro debe limpiarse antes y después de cada proceso de secado. Un filtro limpio reduce el tiempo de secado y ahorra energía.

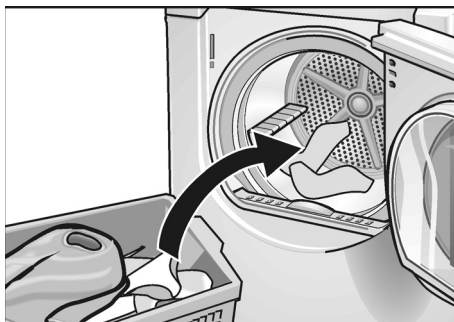


3. Gire el selector de programas al programa deseado. Seleccione el programa que corresponda a la ropa colocada en el secador de la tabla correspondiente (ver página 61). Se enciende la luz en el interior del secador.

i La luz indicadora «Start/Stop» comienza a centellear.



4. Si hace falta, seleccione «Option», presionando el botón. Las «Opciones» se explican en la página 60.



5. Coloque la ropa en el tambor vacío. Coloque cada prenda por separado en el interior de la máquina.

Para un resultado óptimo, debe separarse la ropa en función de su tipo y el grado de humedad residual deseado. Para más información, consulte la página 60.

i Tenga en cuenta los símbolos para el secado de la ropa, colocados por el fabricante. Si está por secar prendas de lana y calzados, consulte la página 63.

Asegúrese que haya solamente ropa en el tambor. Controle que todas las prendas estén completamente dentro del tambor.

6. Cierre la puerta.

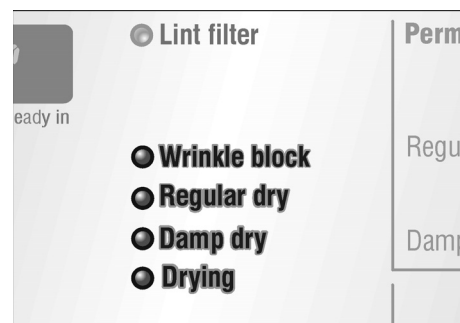
La luz indicadora «Start/Stop» continúa a centellear.

i Si la puerta no fue cerrada correctamente, el secador no arrancará.



7. Presione el botón «Start/Stop». Le luz indicadora «Start/Stop» quedará encendida permanentemente.

i El programa comienza con una señal acústica (si así fue ajustado). Si fue seleccionado un programa estándar, las luces indicadoras señalan el avance de la secuencia del programa.

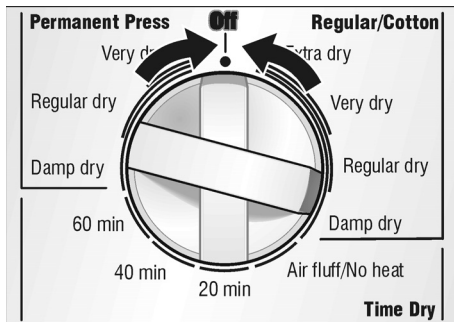


i Al finalizar el programa se emite una señal acústica (si así fue ajustado) y se enciende el LED «Wrinkle block» (protección contra arrugado).

i Una vez que el proceso de secado ha finalizado (el programa o el programa de tiempo han concluido), el tambor gira en intervalos específicos durante 1 hora. Esto evita que la ropa se arrugue. La ropa permanece suelta y suave hasta que se la quita. Deberá quitarse la ropa como máximo, una vez concluido este tiempo.



8. Abra la puerta.



9. Saque la ropa del secador.

10. Gire el selector de programas a la posición «Off».

La luz del secador se apaga.

11. Limpie el filtro.

El filtro debe limpiarse después de cada proceso de secado. Un filtro limpio reduce el tiempo de secado y ahorra energía.

12. Cierre la puerta.

Uso de la canastilla

(Accesorio, ver página 54)

Utilice la canastilla para secar prendas de lana lavables (p. ej. suéteres) y calzados. La canastilla para secar permanece quieta mientras el tambor gira. La lana húmeda no debe moverse, ya que corre peligro de afeltrarse. Secar calzados sin la canastilla, puede dañar el tambor.

⚠ CUIDADO ⚠

¡Seque solamente una prenda o un par de zapatos por vez!
¡La carga máxima para secar es de 2,2 lbs (1 kg)! ¡La ropa debe haberse centrifugado!
¡El calzado a secar debe presentar solamente la humedad residual después de un lavado!
¡La ropa no debe tocar el tambor! Puede engancharse en éste y dañarse. Una vez utilizada la canastilla para secar, sáquela inmediatamente del secador.

Colocar la canastilla para secar

1. Abra la puerta del secador.

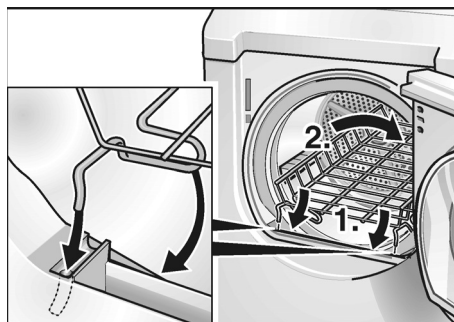
2. Controle que el tambor esté vacío.



3. Quite el filtro.



4. Inserte la canastilla para secar horizontalmente en el tambor.



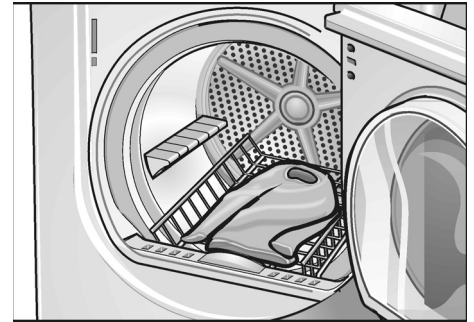
5. Coloque la canastilla para secar de modo que los soportes penetren en los alojamientos frontales previstos a tal fin.



6. Coloque el filtro para la pelusa. ¡Éste debe insertarse de modo que quede alineado con el borde del tambor!

Secar prendas de ropa sobre la canastilla

1. Pliegue la ropa de modo que quepa en la canastilla.



2. Coloque la ropa suelta sobre la canastilla. ¡No la aplaste! ¡La ropa no debe tocar el tambor! ¡No permita que la ropa cuelgue fuera de la canastilla!

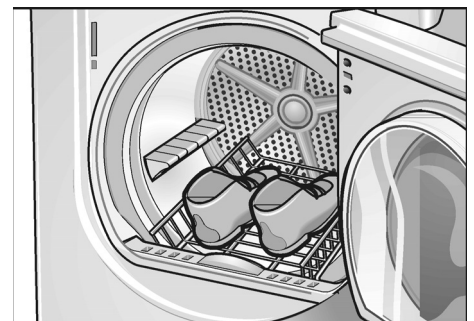
3. Cierre la puerta.

4. Siga las instrucciones para un programa controlado por tiempo según se describe en «Seleccione un programa de tiempo».

Secar calzado sobre la canastilla:

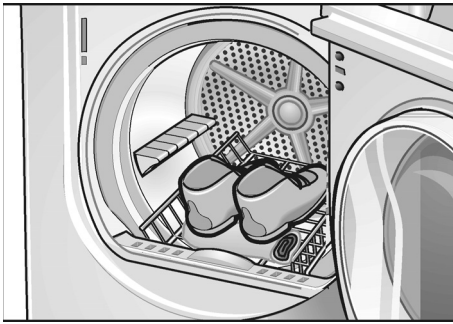
1. Prepare el calzado.

- Limpie el calzado para evitar que el tambor se ensucie.
- Al preparar el calzado, extienda la lengua de los mismos.
- Afloje o quite los cordones.
- Extraiga partes adicionales como plantillas.



2. Coloque el calzado sobre la canastilla.

- Directamente sobre la canastilla o bien

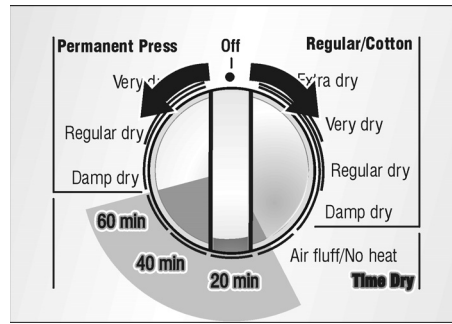


- ❑ Coloque una toalla y, sobre ésta, los tacos del calzado. Esto conducirá a un resultado más uniforme del secado.



3. Cierre la puerta.

Seleccione un programa de tiempo

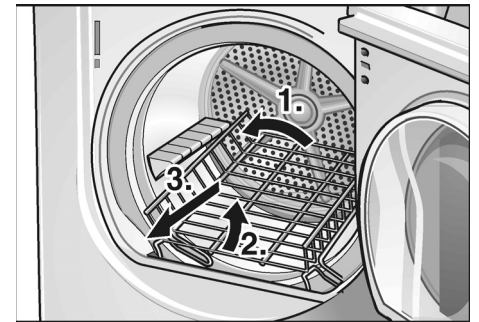


1. Gire el selector de programas a «Time dry/...min».
- Seleccione el tiempo de secado según la tabla siguiente y de acuerdo con el tipo de ropa.

Tipo de ropa	Tiempo de secado requerido
Suéter de lana fina (aprox. 0.8 lbs/350 gr)	80 min. (p. ej. 60 + 20 min)
Suéter de lana gruesa (aprox. 1.9 lbs/850 gr)	90 a 120 min. (p. ej. 60 + 40 min)
Faldas	60 a 90 min.
Pantalones	60 a 90 min.
Prendas pequeñas (p. ej. guantes).	30 min.
Calzado	30 min.

2. Presione el botón «Start/Stop». Le luz indicadora «Start/Stop» quedará encendida permanentemente.

3. Si la prenda aún presenta una humedad residual después del secado:
 - ❑ pliegue la prenda de modo que las partes húmedas están hacia fuera,
 - ❑ vuelva a hacer arrancar el proceso de secado y seleccione un tiempo de secado menor, según el grado de humedad residual.
4. Después del secado, extienda la ropa al aire libre por aproximadamente 15 minutos. (calzado por aprox. 30 min.).
5. Quite el filtro.



6. Extraiga la canastilla del tambor.



7. Vuelva a colocar el filtro para las pelusas.

Limpeza y cuidado

Limpeza del secador

ADVERTENCIA

A

¡PARA EVITAR PELIGRO DE EXPLOSIONES!
Nunca utilice solventes o líquidos altamente inflamables para la limpieza.

CUIDADO

Una limpieza incorrecta, puede dañar el secador. No limpie con chorro de agua a presión. No utilice agentes agresivos o limpiadores multiuso. No utilice limpiadores a vapor.

Friegue la carcasa y el frente con un paño suave y agua con jabón.
Friegue el tambor, la junta de la puerta y el interior del mismo solamente con un paño húmedo.

Limpiar el filtro para pelusas

Un filtro sucio incrementa el tiempo de secado y aumenta el consumo de energía.

El filtro debe limpiarse antes y después de cada proceso de secado o a más tardar.

Si tanto la señal como el mensaje de alerta E:01 son omitidos durante algún ciclo de secado, limpie el filtro inmediatamente y chequee el ducto de escape.

i El programa se interrumpe automáticamente.

1. Apague el secador. Coloque el selector de programas en «Off».

⚠ CUIDADO ⚠

La parte interior de la puerta se calienta durante el proceso.

2. Abra la puerta.



3. Quite el filtro.



4. Quite las pelusas pasando la mano sobre el filtro.

El filtro debe ser restregado suavemente dos veces al año con agua tibia enjabonada. El filtro debe ser limpiado cuando no es capaz de mantener el agua. El filtro debe estar bien seco antes de que sea reemplazado.



5. Coloque el filtro.
6. Cierre la puerta.

Limpiar el tubo de aire de salida

Inspeccione y limpie la tubería de aire de salida como mínimo una vez al año, para evitar obturaciones. Un tubo de aire de salida parcialmente obturado, puede prolongar los tiempos de secado.

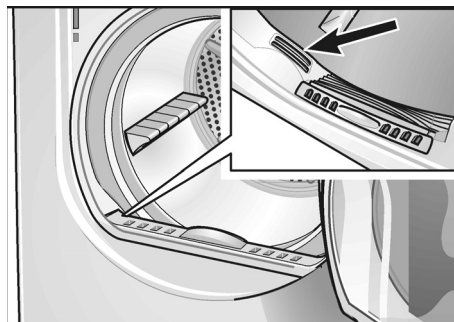
- Corte el conmutador de alimentación
- Desconecte el enchufe de alimentación
- Cierre la válvula de paso.
- Desconecte el tubo del secador.
- Vacíe el tubo y vuélvalo a conectar.

⚠ ADVERTENCIA ⚠

Desconecte las conexiones de gas antes de mover el secador a fin de limpiar el conducto. Sea cuidadoso de no destruir la conexión de gas durante la limpieza del conducto.

Limpiar el sensor de humedad

Ocasionalmente debe limpiarse el sensor de humedad, ya que se genera una capa fina de depósitos sobre la superficie del mismo.

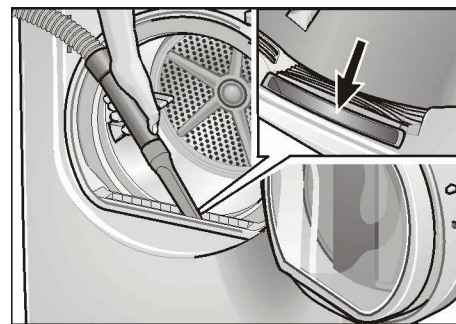


El depósito puede eliminarse fácilmente, fregando el sensor (las dos barras próximas al filtro para pelusas) mediante un paño y un poco de vinagre blanco.

¡Utilice solamente vinagre blanco!
Limpie el sensor de humedad una vez al mes.

Limpeza de la protección del rodamiento

A través del tiempo, se junta pelusa resultante de los sucesivos procesos de secado en la protección del rodamiento.



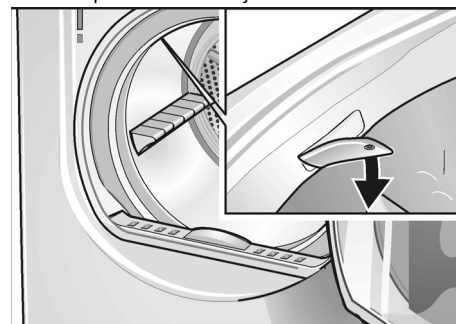
Esta pelusa puede eliminarse fácilmente utilizando la aspiradora, por lo menos una vez al mes.

Cambiar la lamparilla

La luz del secador se enciende, cuando abre la puerta del mismo.

Para cambiar la lamparilla:

- Fije el selector del programa a "off".
- Corte el conmutador de alimentación.
- Desconecte el enchufe de alimentación.
- Abra la puerta y localice la lamparilla en la parte superior izquierda de la junta.



- Afloje el tornillo de la cobertura y ábrala.
- Gire la lamparilla en el sentido opuesto a las agujas del reloj. Reemplace la lamparilla únicamente por una del tipo para electrodomésticos (se adquiere en el servicio a clientes).
- Vuelva a colocar la cubierta y sujétela mediante el tornillo.
- Vuelva a enchufar el secador o a conectar la alimentación.

Localización de fallos

ADVERTENCIA

¡Existe riesgo de descargas eléctricas! ¡Peligro de explosiones! Eventuales reparaciones debe efectuarlas exclusivamente un técnico autorizado.

Antes de llamar el servicio a clientes, controle si no puede reparar el fallo usted mismo, consultando la esta tabla.

Si es necesario efectuar reparaciones y usted no puede eliminar el fallo mediante la tabla siguiente:

1. Gire el selector de programas a «Off».
2. Corte el conmutador de alimentación.
3. Desconecte el enchufe del tomacorriente.
4. Cierre la válvula de paso.
5. Llame al servicio para clientes (consulte la página 67).

Problema	Causa posible	Remedio
El secador no arranca. No se enciende la luz indicadora «Start/Stop».	El enchufe no está conectado o incorrectamente conectado.	Conecte el enchufe correctamente.
	Se ha quemado un fusible de la alimentación.	Cambie o reponga el fusible.
	No fue pulsado el botón «Start/Stop».	Presione el botón «Start/Stop».
	No fue seleccionado programa alguno.	Seleccione un programa.
	La puerta no está cerrada.	Cierre la puerta.
La ropa está mojada después del secado.	La válvula de paso está cerrada.	Abra la válvula de paso.
	La temperatura ambiente está debajo de los 41 °F/5 °C.	Aumente la temperatura del ambiente.
Fue interrumpido el programa. Se emite una señal de advertencia y el display indica «E:01».	El filtro para pelusas está sucio.	Limpie el filtro para pelusas según se describe en página 64. Apague y vuelva a encender equipo.
	El tubo de aire de salida está obstruido o es demasiado largo.	Limpie el tubo de aire de salida. Reduzca la longitud del tubo de aire de salida a su longitud máxima según se describe en página 52. Apague y vuelva a encender equipo.
	Error en el desarrollo del programa o fallo en la máquina.	Apague el secador, déjelo enfriar por 30 minutos y vuelva a encenderlo. Haga arrancar nuevamente el programa.
	El ambiente o gabinete no posee la ventilación suficiente.	Provea un acceso de aire fresco suficiente. Apague y vuelva a encender equipo.
No se ha logrado el grado de humedad deseado o el tiempo de secado es demasiado largo. El display indica «E:03».	Está sucio el sensor de humedad.	Limpie el sensor de humedad según se describe en la página 65. Apague y vuelva a encender el equipo.
	El tubo de aire de salida está obstruido o es demasiado largo.	Limpie el tubo de aire de salida. Reduzca la longitud del tubo de aire de salida a su longitud máxima según se describe en página 52. Apague y vuelva a encender equipo.
	El filtro para pelusas está sucio.	Limpie el filtro para pelusas según se describe en página 64. Apague y vuelva a encender equipo.
	La ropa está demasiado mojada.	Centrifugue la ropa a mayor velocidad en la máquina de lavar. Apague y vuelva a encender el equipo.
	Se ha seleccionado un programa no admisible.	Seleccione el programa con ayuda de la tabla correspondiente (ver página 61). Apague y vuelva a encender el equipo.
	Se excede el tiempo de secado máximo.	Limpie el filtro para pelusas (ver página 64). Controle la salida de aire. Centrifugue la ropa a mayor velocidad en su lavadora.
	El motor ha excedido la temperatura máxima.	Apague el secador, déjelo enfriar por 30 minutos y vuelva a encenderlo. Haga arrancar el programa.

No funciona la luz en el tambor.	No fue seleccionado programa alguno.	Seleccione un programa.
	La lamparilla está defectuosa o quemada.	Cambie la lamparilla según se indica en la página 65.
	No hay alimentación de energía.	Controle que la alimentación de energía funcione correctamente.
	La bombilla es floja.	Apriete la bombilla. Quite y reinstale la cubierta según lo dirigido en la página 65.
La luz indicadora «Start/Stop» no está encendida. La luz indicadora «Wrinkle block» (protección contra arrugado) está encendida. EL display indica «000».	Error en el desarrollo del programa o fallo en la máquina.	Apague el secador, déjelo enfriar por 30 minutos y vuelva a encenderlo. Haga arrancar nuevamente el programa.
El filtro de la pelusa LED esta intermitente después de que el filtro ha sido cambiado.	La intermitencia del filtro de la pelusa LED no es indicación de que hay un problema. Solo es usado como un recordatorio para limpiar el filtro de la pelusa.	No requiere de ninguna acción. LED dejara de estar intermitente.

SERVICIO y REPARACIONES

⚠ CUIDADO ⚠

CUIDADO – Identifique todos los cables antes de desconectarlos cuando se efectúan trabajos de servicio. Errores en el cableado pueden causar un funcionamiento incorrecto y peligroso. Controle el correcto funcionamiento después de haberse realizado trabajos de servicio.

El secador no requiere de otros cuidados especiales, aparte de aquellos especificados más arriba.

i Si tiene un problema con su secador, antes de llamar el servicio a clientes, consulte la tabla en página 66.

Si se hace necesario un servicio, póngase en contacto con su vendedor, instalador u otro centro de servicios autorizado. No intente reparar el electrodoméstico usted mismo. Cualquier trabajo realizado por personal no autorizado, hará caducar la garantía.

Si tiene problemas y no está conforma con el servicio recibido:

- Primero rogamos ponerse en contacto con su instalador o bien el servicio autorizado y contratado Bosch de su zona, explicando porque no está conforme. explicando a que se debe su disconformidad.
- Si después del trabajo realizado por su instalador o técnico de servicio el problema no ha sido solucionado a su satisfacción, háganoslo saber, o bien escribiendo a:

BSH Home Appliances
5551 McFadden Ave.
Huntington Beach, CA 92649

O bien llámenos a

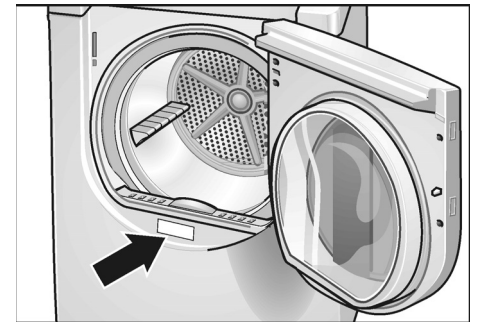
1-800-944-2904.

Tanto en caso de escribir o de llamar, asegúrese de incluir o tener a mano la siguiente información:

- Número de modelo
- Número de serie
- Fecha de compra original
- Fecha en la cual ha ocurrido el problema
- Explicación del problema

En caso que nos escriba, rogamos incluir también un número telefónico diurno y una copia de la factura de compra.

Encontrará la información respecto del número de modelo y de serie sobre la chapa de características ubicada en el interior del panel frontal.



DECLARACIÓN DE GARANTÍA PARA SECADORES PARA ROPA BOSCH

Las garantías brindadas por BSH Home Appliances («Bosch») en esta declaración son aplicables únicamente a secadores Bosch vendidos al

consumidor final por Bosch o sus comerciantes autorizados, revendedores o centros de servicio en

los Estados Unidos o Canadá. Las garantías aquí descritas no son transferibles.

DURACIÓN DE LA GARANTÍA	Alcances de la garantía
Amplia garantía limitada a un año a partir de la fecha de instalación *	Bosch se hará cargo libre de costos de la reparación o reemplazo de cualquier componente que presente defectos en condiciones de uso domiciliario normal, incluyendo los costos de mano de obra y transporte. La reparación cubierta por la garantía deberá efectuarse en un Centro de Servicio Autorizado Bosch.
Garantía limitada a 2 años a partir de la fecha de instalación *	Bosch proveerá piezas de recambio libre de costos para cualquier componente que presente defectos en condiciones de uso domiciliario normal, excluyendo los costos mano de obra.
Garantía limitada a componentes electrónicos por 2 años a partir de la fecha de instalación *	Bosch se hará cargo, libre de costos, de la reparación o reemplazo de placas de microprocesadores o impresoras que presenten defectos en condiciones de uso domiciliario normal desde el segundo al dos años a partir de la fecha de su primera instalación, excluyendo costos de mano de obra.
Garantía limitada al motor por 2 años a partir de la fecha de instalación *	Bosch se hará cargo, libre de costos, de la reparación o reemplazo de todo motor o componente del mismo que presente defectos en condiciones de uso domiciliario normal desde el segundo al dos años a partir de la fecha de su primera instalación, excluyendo costos de mano de obra.
* La fecha de instalación se refiere o bien a la fecha de instalación del secador propiamente dicha o a diez días hábiles a partir de la fecha de entrega.	

Exclusiones

Esta garantía no cubre llamadas de servicio o reparaciones para corregir la instalación del secador, suministrar instrucciones referentes al uso del mismo, reemplazar fusibles domiciliarios o reparaciones de plomería o cableado en el domicilio del usuario o para reparar cualquier secador que fue usada en forma diferente a la normal o usual a la domiciliaria.

Adicionalmente, las garantías provistas en esta declaración excluyen todo defecto o daño proveniente de accidente, alteración, uso inadecuado, abuso, instalación inadecuada, trabajos de servicio no autorizado, influencias externas más allá de los alcances de Bosch, como fuego, inundaciones, fuerza mayor, o instalación en desacuerdo con reglas locales de plomería y electricidad.

Costos de mano de obra producidos por la reparación o reemplazo de los secadores después de un período de un año a partir de la fecha de instalación pueden no estar cubiertas por esta garantía. Todas y cada una de las piezas reparadas y/o cambiadas deberán ser originales o autorizadas a los fines de aplicación del período de garantía. DENTRO DEL MARCO DE LA LEY, ESTA GARANTÍA VALE EN LUGAR DE TODA OTRA GARANTÍA IMPLÍCITA O EXPLÍCITA, INCLUYENDO LAS GARANTÍAS IMPLÍCITAS DE COMERCIALIZACIÓN Y APTITUD PARA USOS PARTICULARES. BOSCH NO ASUME RESPONSABILIDAD ALGUNA POR DAÑOS INCIDENTALES O DERIVADOS.

PARA SOLICITAR SERVICIOS DE GARANTÍA, DIRIGIRSE AL CENTRO DE SERVICIO BOSCH MAS CERCANO O LLAMAR AL 1-800-944-2904, O ESCRIBIR A: BSH HOME APPLIANCES, CORP., 5551 MC FADDEN AVENUE HUNTINGTON BEACH CA 92649. ASEGÚRESE DE INDICAR EL MODELO DE SU SECADOR, EL NUMERO DE SERIE, FECHA DE ADQUISICIÓN, NOMBRE Y DIRECCIÓN DEL VENDEDOR.



Free Manuals Download Website

<http://myh66.com>

<http://usermanuals.us>

<http://www.somanuals.com>

<http://www.4manuals.cc>

<http://www.manual-lib.com>

<http://www.404manual.com>

<http://www.luxmanual.com>

<http://aubethermostatmanual.com>

Golf course search by state

<http://golfingnear.com>

Email search by domain

<http://emailbydomain.com>

Auto manuals search

<http://auto.somanuals.com>

TV manuals search

<http://tv.somanuals.com>