

IMPORTANT:
Read Before Using

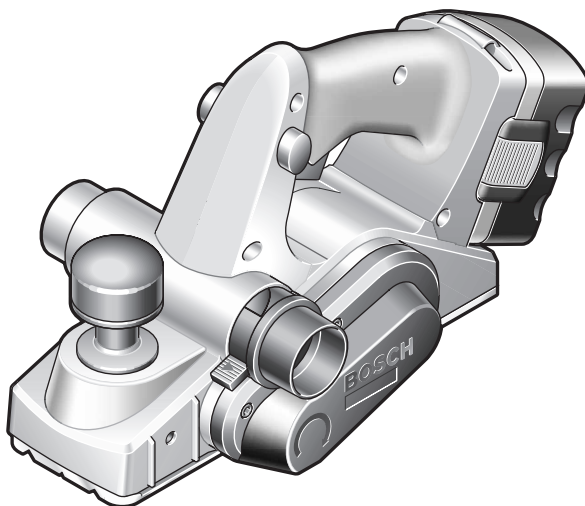
IMPORTANT :
Lire avant usage

IMPORTANTE:
Leer antes de usar



Operating/Safety Instructions
Consignes de fonctionnement/sécurité
Instrucciones de funcionamiento y seguridad

53514
53518



BOSCH

Consumer Information
Renseignements des consommateurs
Información para el consumidor

Toll Free Number: **Appel gratuit :** **Número de teléfono gratuito:**
1-877-BOSCH99 (1-877-267-2499) <http://www.boschtools.com>

For English
See page 2

Parlez-vous français?
Voir page 14

¿Habla español?
Ver página 26

General Safety Rules For All Battery Operated Tools



WARNING

Read and understand all instructions. Failure to follow all instructions listed below, may result in electric shock, fire and/or serious personal injury.

SAVE THESE INSTRUCTIONS

Work Area

Keep your work area clean and well lit. Cluttered benches and dark areas invite accidents.

Do not operate power tools in explosive atmospheres, such as in the presence of flammable liquids, gases, or dust. Power tools create sparks which may ignite the dust or fumes.

Keep by-standers, children, and visitors away while operating a power tool. Distractions can cause you to lose control.

Electrical Safety

A battery operated tool with integral batteries or a separate battery pack must be recharged only with the specified charger for the battery. A charger that may be suitable for one type of battery may create a risk of fire when used with another battery.

Use battery operated tool only with specifically designated battery pack. Use of any other batteries may create a risk of fire.

Personal Safety

Stay alert, watch what you are doing, and use common sense when operating a power tool. Do not use tool while tired or under the influence of drugs, alcohol, or medication. A moment of inattention while operating power tools may result in serious personal injury.

Dress properly. Do not wear loose clothing or jewelry. Contain long hair. Keep your hair, clothing, and gloves away from moving parts. Loose clothes, jewelry, or long hair can be caught in moving parts.

Avoid accidental starting. Be sure switch is in the locked or off position before inserting battery pack. Carrying tools with your finger on the switch or inserting the battery pack into a tool with the switch on invites accidents.

Remove adjusting keys or wrenches before turning the tool on. A wrench or a key that is left attached to a rotating part of the tool may result in personal injury.

Do not overreach. Keep proper footing and balance at all times. Proper footing and balance enable better control of the tool in unexpected situations.

Use safety equipment. Always wear eye protection. Dust mask, non-skid safety shoes, hard hat, or hearing protection must be used for appropriate conditions.

Tool Use and Care

Use clamps or other practical way to secure and support the workpiece to a stable platform. Holding the work by hand or against your body is unstable and may lead to loss of control.

Do not force tool. Use the correct tool for your application. The correct tool will do the job better and safer at the rate for which it is designed.

Do not use tool if switch does not turn it on or off. A tool that cannot be controlled with the switch is dangerous and must be repaired.

Disconnect battery pack from tool or place the switch in the locked or off position before making any adjustments, changing accessories, or storing the tool. Such preventive safety measures reduce the risk of starting the tool accidentally.

Store idle tools out of reach of children and other untrained persons. Tools are dangerous in the hands of untrained users.

When battery pack is not in use, keep it away from other metal objects like: paper clips, coins, keys, nails, screws, or other small metal objects that can make a connection from one terminal to another. Shorting the battery terminals together may cause sparks, burns, or a fire.

Maintain tools with care. Keep cutting tools sharp and clean. Properly maintained

tools with sharp cutting edge are less likely to bind and are easier to control.

Check for misalignment or binding of moving parts, breakage of parts, and any other condition that may affect the tool's operation. If damaged, have the tool serviced before using. Many accidents are caused by poorly maintained tools.

Use only accessories that are recommended by the manufacturer for your model. Accessories that may be suitable for one tool may create a risk of injury when used on another tool.

Service

Tool service must be performed only by qualified repair personnel. Service or maintenance performed by unqualified personnel may result in a risk of injury.

When servicing a tool, use only identical replacement parts. Follow instructions in the Maintenance section of this manual.

Use of unauthorized parts or failure to follow Maintenance Instructions may create a risk of shock or injury.

Safety Rules for Cordless Planers

Secure the material being planed. Never hold it in your hand or across legs. Small workpiece must be adequately secured so that the rotating planer blades will not pick it up during forward motion of the planer. Unstable support can cause the blades to bind causing loss of control and injury.

Always start the plane before blade is in contact with the workpiece and allow the blade to come to full speed. Tool can vibrate or chatter if blade speed is too slow at beginning of cut and possibly kickback.

Check the workpiece for nails, if there are nails, either remove or set them well below intended finished surface. If the planer blades strike objects like nails it may cause the tool to kickback and serious personal injury may result.

Disconnect battery pack from tool or place the switch in the locked or off position before making any assembly, adjustments or changing accessories. Such preventive safety measures reduce the risk of starting the tool accidentally.

After changing blades, rotate the blade cylinder (cutter drum) to make sure blades are not hitting any part of the blade head housing and the blade locking screws are tight. Spinning blades could strike tool housing and damage tool as well as possible injury.

Always hold the tool firmly with both hands for maximum control.

Never pull the plane backward over the workpiece. Loss of control may occur.

Do not put fingers or any objects into the chip ejector or clean out chips while tool is running. Contact with blade drum will cause injury.

Disconnect battery pack from tool if it becomes necessary to remove chips. The blades are hidden from view and you may be cut if blade is contacted.

Never place the plane down until the blade is completely at rest. Surface contact with coasting blade drum may cause the plane to walk out of control.

⚠ WARNING Some dust created by power sanding, sawing, grinding, drilling, and other construction activities contains chemicals known to cause cancer, birth defects or other reproductive harm. Some examples of these chemicals are:

- Lead from lead-based paints,
- Crystalline silica from bricks and cement and other masonry products, and
- Arsenic and chromium from chemically-treated lumber.

Your risk from these exposures varies, depending on how often you do this type of work. To reduce your exposure to these chemicals: work in a well ventilated area, and work with approved safety equipment, such as those dust masks that are specially designed to filter out microscopic particles.

Battery/Charger

Before using battery charger, read all instructions and cautionary markings on (1) battery charger, (2) battery pack, and (3) product using battery.

Use only the charger which accompanied your product or direct replacement as listed in the catalog or this manual. Do not substitute any other charger. Use only Bosch approved chargers with your product. See Functional Description and Specifications.

Do not disassemble charger or operate the charger if it has received a sharp blow, been dropped or otherwise damaged in any way. Replace damaged cord or plugs immediately. Incorrect reassembly or damage may result in electric shock or fire.

Do not recharge battery in damp or wet environment. Do not expose charger to rain or snow. If battery case is cracked or otherwise damaged, do not insert into charger. Battery short or fire may result.

Charge only Bosch approved rechargeable batteries. See Functional Description and Specifications. Other types of batteries may burst causing personal injury and damage.

Charge battery pack in temperatures above +40 degrees F (4 degrees C) and below +105 degrees F (41 degrees C). Store tool and battery pack in locations

where temperatures will not exceed 120 degrees F (49 degrees C). This is important to prevent serious damage to the battery cells.

Battery leakage may occur under extreme usage or temperature conditions. Avoid contact with skin and eyes. The battery liquid is caustic and could cause chemical burns to tissues. If liquid comes in contact with skin, wash quickly with soap and water, then with lemon juice or vinegar. If the liquid contacts your eyes, flush them with water for a minimum of 10 minutes and seek medical attention.

Place charger on flat non-flammable surfaces and away from flammable materials when re-charging battery pack.

The charger and battery pack heat during charging. Carpeting and other heat insulating surfaces block proper air circulation which may cause overheating of the charger and battery pack. If smoke or melting of the case are observed unplug the charger immediately and do not use the battery pack or charger.

Use of an attachment not recommended or sold by Bosch may result in a risk of fire, electric shock or injury to persons.

Battery Care

⚠ WARNING When batteries are not in tool or charger, keep them away from metal objects. For example, to protect terminals from shorting **DO NOT** place batteries in a tool box or pocket with nails, screws, keys, etc. Fire or injury may result.

⚠ WARNING To prevent fire or injury when batteries are not in tool or charger, always place protective cap onto end of battery pack. Protective cap, guards against terminal shorting.

DO NOT PUT BATTERIES INTO FIRE OR EXPOSE TO HIGH HEAT. They may explode.

Battery Disposal

⚠ WARNING Do not attempt to disassemble the battery or remove any component projecting from the battery terminals. Fire or injury may result. Prior to disposal, protect exposed terminals with heavy insulating tape to prevent shorting.

NICKEL-CADMIUM BATTERIES

If equipped with a nickel-cadmium battery, the battery must be collected, recycled or disposed of in an environmentally sound manner.



"The EPA certified RBRC Battery Recycling Seal on the nickel-cadmium (Ni-Cd) battery indicates Robert Bosch Tool Corporation is voluntarily participating in an industry program to collect and recycle these batteries at the end of their useful life,

when taken out of service in the United States or Canada. The RBRC program provides a convenient alternative to placing used Ni-Cd batteries into the trash or the municipal waste stream, which may be illegal in your area.


Please call 1-800-8-BATTERY for information on Ni-Cd battery recycling and disposal bans/restrictions in your area, or return your batteries to a Skil/Bosch/Dremel Service Center for recycling. Robert Bosch Tool Corporation's involvement in this program is part of our commitment to preserving our environment and conserving our natural resources."

NICKEL-METAL HYDRIDE BATTERIES

If equipped with a nickel-metal hydride battery, the battery can be disposed of in a municipal solid waste stream.

Symbols

IMPORTANT: Some of the following symbols may be used on your tool. Please study them and learn their meaning. Proper interpretation of these symbols will allow you to operate the tool better and safer.

Symbol	Name	Designation/Explanation
V	Volts	Voltage (potential)
A	Amperes	Current
Hz	Hertz	Frequency (cycles per second)
W	Watt	Power
kg	Kilograms	Weight
min	Minutes	Time
s	Seconds	Time
∅	Diameter	Size of drill bits, grinding wheels, etc.
n ₀	No load speed	Rotational speed, at no load
.../min	Revolutions or reciprocation per minute	Revolutions, strokes, surface speed, orbits etc. per minute
0	Off position	Zero speed, zero torque...
1, 2, 3, ... I, II, III,	Selector settings	Speed, torque or position settings. Higher number means greater speed
0 ▽	Infinitely variable selector with off	Speed is increasing from 0 setting
→	Arrow	Action in the direction of arrow
~	Alternating current	Type or a characteristic of current
≡	Direct current	Type or a characteristic of current
⎓	Alternating or direct current	Type or a characteristic of current
□	Class II construction	Designates Double Insulated Construction tools.
⊕	Earthing terminal	Grounding terminal
⚠	Warning symbol	Alerts user to warning messages
	Ni-Cad RBRC seal	Designates Ni-Cad battery recycling program



This symbol designates that this tool is listed by Underwriters Laboratories.



This symbol designates that this tool is listed to Canadian Standards by Underwriters Laboratories.



This symbol designates that this tool complies to NOM Mexican Standards.



This symbol designates that this tool is listed by the Canadian Standards Association.



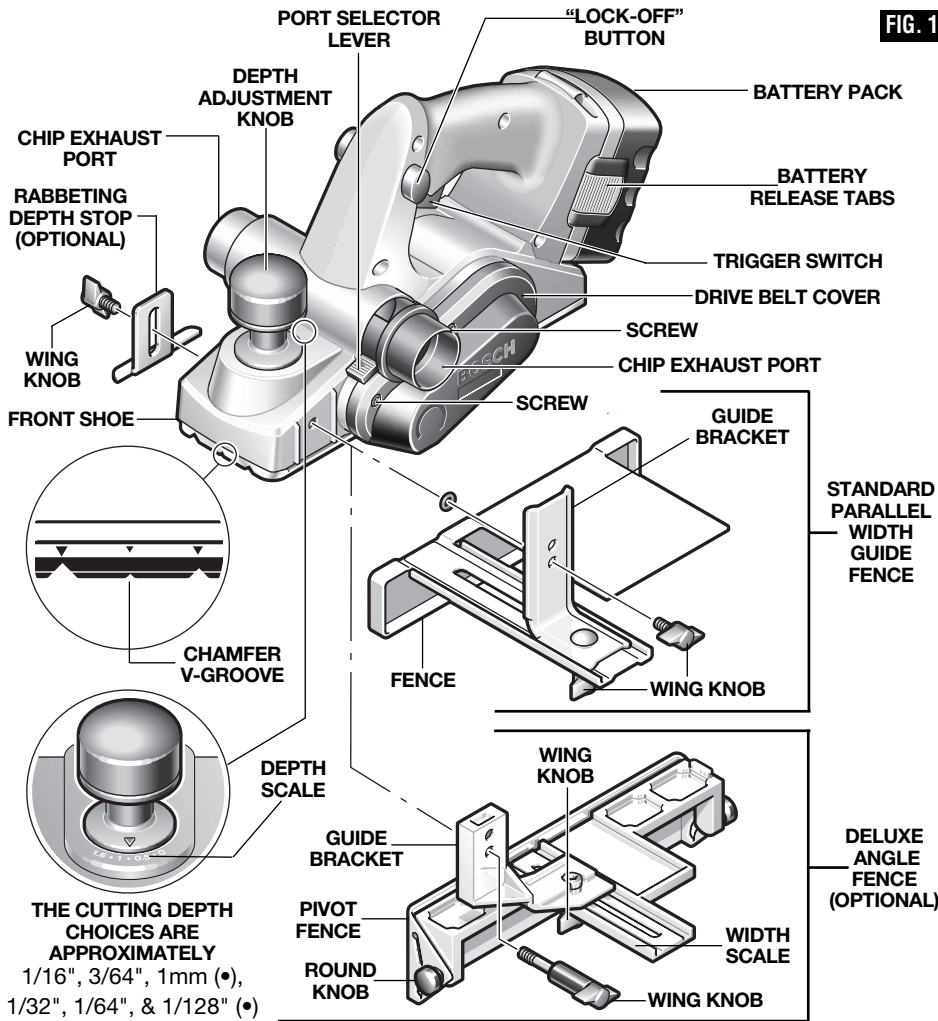
This symbol designates that this tool is listed by Underwriters Laboratories, and listed to Canadian Standards by Underwriters Laboratories.

Functional Description and Specifications

⚠ WARNING Disconnect battery pack from tool or place the switch in the locked or off position before making any assembly, adjustments or changing accessories. Such preventive safety measures reduce the risk of starting the tool accidentally.

Cordless Planers

FIG. 1



Model number	Voltage rating	No load speed	Charge time	Charger number	Voltage rating	Battery pack
53514	14.4 V	n ₀ 13,000/min	1 hr.	BC001-6 & BC016	120 V ~ 60 Hz	BAT040 & BAT038
53518	18 V	n ₀ 13,000/min	1 hr.	BC003, 4, 6, & BC016	120 V ~ 60 Hz	BAT026 & BAT025

Maximum Capacities
 Planing depth 0 - 1/16" (0 - 1.6mm)
 Rabbeting depth 0 - 5/16" (0 - 8mm)
 Cutting width 3-1/4" (82mm)

BC006 charger requires 12 V DC input
NOTE: ONLY USE CHARGERS LISTED ABOVE

Assembly

CHIP EXTRACTION

The planer comes with two chip exhaust ports, which may be used with a chip bag or a shop vacuum and vacuum connector (Fig.2) to keep your work environment cleaner. The chip bag or vacuum connector may be attached to either end of the exhaust port.

Moving the port selector lever to position 1 (towards front of tool) discharges chips to the left, while position 2 (towards rear of tool) discharges chips to the right (Fig. 1)

PLANER BLADES

▲ WARNING The planer blades are sharp and fragile and must be handled carefully to avoid injury to the user or damage to the blades.

The planer blades have two cutting edges, and may be reversed when one of the cutting edges becomes dull or chipped.

Do not attempt to sharpen or use resharpened used blades of any kind. Use only blades designated for use with this model, because other blades will cause vibration, decrease performance and may not clamp securely in blade holder.

BLADE WRENCH & STORAGE AREA

Your tool is equipped with a blade wrench that is conveniently located in the handle base where it is always handy and unlikely to get lost or misplaced (Fig. 3).

REVERSING OR REPLACING BLADES

To reverse or replace the blade, loosen the clamping screws with blade wrench. With the screws loosened, slide the blade lengthwise out of the cutter drum, taking care to keep your fingers away from the sharp edges of the blade (Fig. 4).

A piece of wood may be used for this purpose. If the blade is gummed and difficult to remove, you may clean the blade with mineral spirits, lacquer thinner or alcohol.

Clean all surfaces before reinstalling the new blade, as this will ensure an accurate blade setting and proper tool performance.

BLADE ALIGNMENT

To ensure an even cut, it is important that the blade is adjusted so that it aligns with the outside edge of the front and rear shoes. This alignment can be done as follows: place a straight edge or a piece of wood along the outside surface of the front shoe and rear shoe, then slide the planer blade to just contact the straight edge or wood (Fig.5).

Make sure the blade sits correctly in the holder groove of the cutter drum.

You may then tighten the clamping screws which secure the blade and your planer is ready for use.

FIG. 2

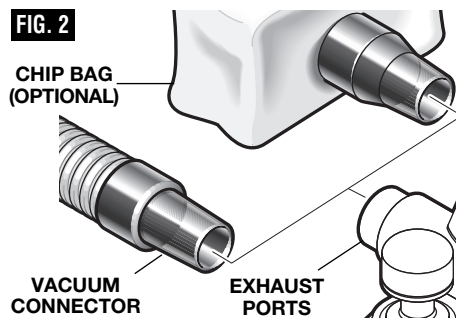


FIG. 3

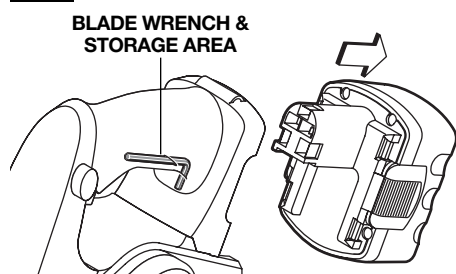


FIG. 4

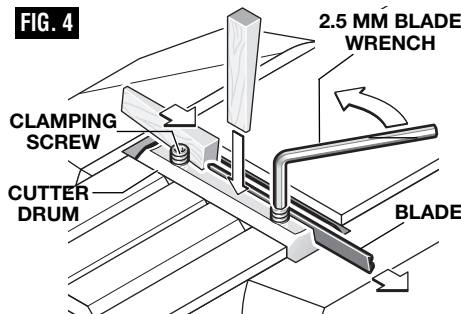
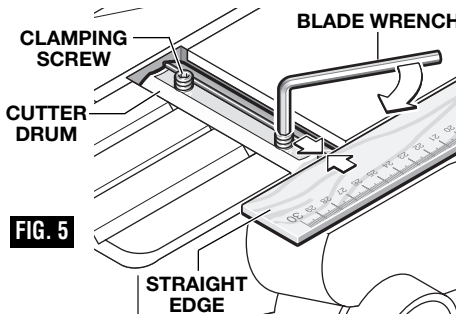


FIG. 5



Operating Instructions

TRIGGER "ON/OFF" SWITCH

⚠ WARNING Hold the tool with both hands while starting the tool, since torque from the motor can cause the tool to twist.

To turn tool "ON", depress the "Lock-OFF" button and squeeze the trigger switch. To turn the tool "OFF", release the trigger switch which is spring loaded and will return to "OFF" position automatically.

To increase switch life, do not turn switch on and off while tool and drum are held against a workpiece.

BRAKE

When the trigger is released it activates the electrical brake to stop the blade quickly. This feature is especially useful when making repetitive cuts.

PLANING ACTION

Check that the workpiece is held in place securely on your work surface, and standing comfortably, hold the planer firmly with both

hands. With the planer fully adjusted, place the front shoe on the workpiece, (be certain that the cutter drum is not in contact with the work) and start the planer as described earlier. With pressure on the front shoe, and the fence against the side of the work (to control the width or angle,) feed the planer steadily until the rear shoe fully engages the workpiece. Now gradually transfer pressure to the rear shoe, and continue planing to the end of the cut. Feed the planer at a uniform and reasonable rate, which does not put excessive strain on the motor or blades, (do not pull the planer back over the surface already cut.) Use progressive cuts until you are near the desired depth, and then re-adjust to a light cut for the final pass to obtain a good surface finish.

⚠ CAUTION The motor may stall if improperly used or overloaded. Reduce the pressure (feed rate) or depth of cut to prevent possible damage to the tool if the motor labors.

ADJUSTING DEPTH OF CUT

Proper cutting depth should be determined according to the hardness, gumminess or moisture content of the material being cut, as well as the feed rate, and is largely a matter of experience. Start with a light cut and increase the depth setting if the plane moves freely through the workpiece with no excessive load on the motor. Do not change depth of cut while planing.

The cutting depth is determined by the difference in height between the adjustable front shoe, and the fixed rear shoe of the planer. As the front shoe is adjusted, it retracts and exposes the blade, which can then remove the desired amount from the workpiece. The cutting depth is graduated from 0 to 1/16 of an inch, and the "0" indicates the blade is fully retracted.

Adjusting depth of cut: Rotate depth adjustment knob until the indicator engages the detent which indicates the desired cutting depth on the depth scale (Fig. 1).

The planer may be set to cut any depth from 0 to 1/16 of an inch.

STANDARD PARALLEL WIDTH GUIDE FENCE

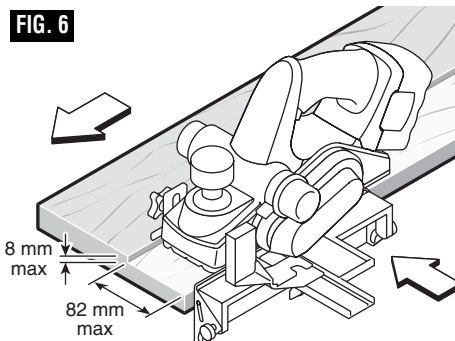
The width guide fence can be used to cut various desired widths (Fig. 1).

Installing the guide fence: Place the wing knob through the appropriate hole in the guide bracket and screw into the housing. Securely tighten wing knob.

Setting the cutting width: Loosen wing knob and slide the fence along the guide bracket to the desired position. Securely tighten wing knob. Be certain that the flat washer (supplied) is fitted between the bottom of the guide fence and wing knob or the guide fence is likely to slip.

DELUXE ANGLE FENCE

The optional deluxe angle fence (Fig. 6) can be used to cut various desired widths, with the additional capability of guiding the



planer on any angle up to 45 degrees, to allow edge chamfering (Fig. 7).

Installing the angle fence: Place the wing knob through the appropriate hole in the guide bracket and screw into the housing. Securely tighten wing knob (Fig. 1).

Setting the cutting width: Loosen wing knob and using the width scale, slide the fence along the guide bracket to the desired position. Securely tighten wing knob (Fig. 1).

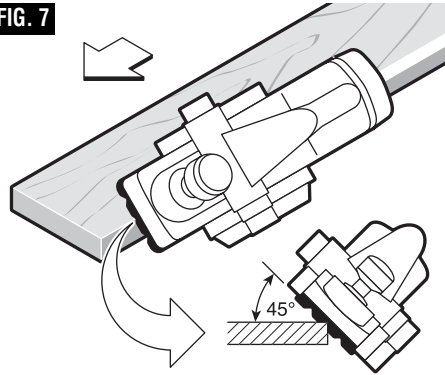
Setting the cutting angle: Loosen round knobs and pivot the fence to the desired position. Securely tighten round knobs (Fig. 1).

Note that the adjustable front shoe contains a chamfer V-groove, which will follow the corner of a workpiece to allow easier handling when using the deluxe angle/width fence (Fig. 7).

RABBETING DEPTH STOP

The optional rabbeting depth stop accessory (Fig. 1) allows the user to set any rabbeting depth from 0 to 5/16 inch. For best results, it is important that the blade be properly aligned (See "BLADE ALIGNMENT"). The

FIG. 7



width of the rabbet is controlled by the width fence. The maximum cutting width is 3-1/4", and the final depth is achieved by repetitive cutting until the rabbeting depth guide contacts the workpiece. The maximum rabbeting depth is 5/16"

Setting the rabbet depth: Loosen wing knob and using the depth scale on the rabbeting depth stop, set the desired rabbet depth. Securely tighten wing knob.

DRIVE BELT

The drive belt is a normal maintenance part and should be inspected periodically for wear. If the drive belt shows signs of drying out, cracking or tearing, it should be replaced. If the drive belt will not track properly or comes off the pulleys, it should be replaced.

Installing new drive belt: Loosen screws and remove the drive belt cover (Fig. 8). Cut and

remove the worn drive belt. Before installing the new drive belt, clean both pulleys thoroughly. First place the new drive belt onto the drive pulley then rotate clockwise while pushing the belt onto the driven pulley. Reinstall the drive belt cover and securely tighten screws (Fig. 9).

FIG. 8

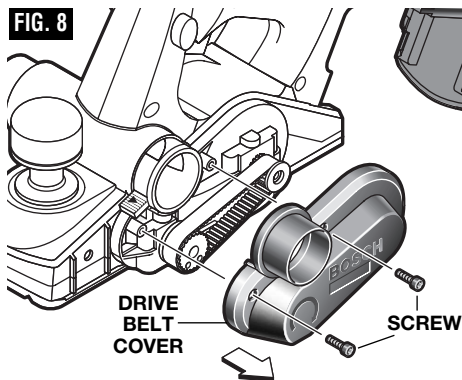
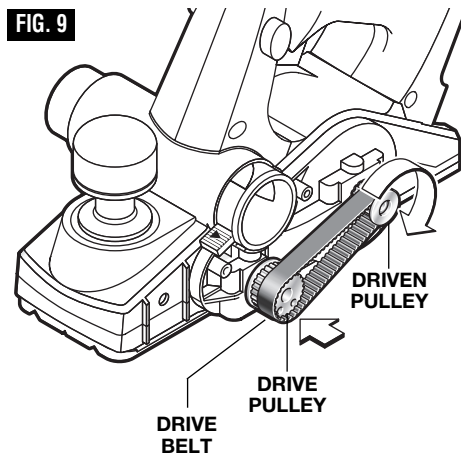


FIG. 9



RELEASING AND INSERTING BATTERY PACK

Release battery pack from tool by pressing on both sides of the battery release tabs and pull downwards. Before inserting battery pack, remove protective cap from battery

pack. To insert battery, align battery and slide battery pack into tool until it locks into position. Do not force.

CHARGING BATTERY PACK (1 HOUR CHARGER)

Plug charger cord into your standard power outlet. Before inserting battery pack, remove protective cap, then insert battery pack into charger (Fig. 10).

The charger's green indicator will begin to "BLINK". This indicates that the battery is receiving a fast charge. Fast-charging will automatically stop when the battery pack is fully charged.

When the indicator light stops "BLINKING" (and becomes a steady green light) fast charging is complete.

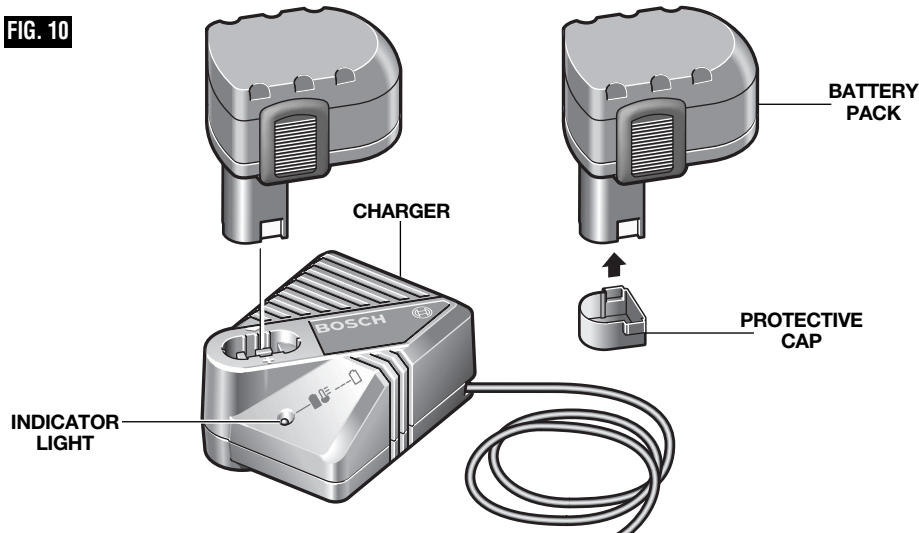
When you begin the charging process of the battery pack, a steady green light could also mean the battery pack is too hot or too cold.

The purpose of the light is to indicate that the battery pack is fast-charging. It does not indicate the exact point of full charge. The light will stop blinking in less time if the battery pack was not completely discharged.

When the battery pack is fully charged, unplug the charger (unless you're charging another battery pack) and slip the battery pack back into the tool handle.

To prevent fire or injury when batteries are not in tool or charger, always place protective cap onto end of battery pack.

FIG. 10



IMPORTANT CHARGING NOTES

1. The battery pack accepts only about 80% of its maximum capacity with its first few charge cycles. However, after the first few charge cycles, the battery will charge to full capacity.
2. The charger was designed to fast charge the battery only when the battery

- temperature is between 40°F (4°C) and 105°F (41°C).
3. A substantial drop in operating time per charge may mean that the battery pack is nearing the end of its life and should be replaced.

4. If you anticipate long periods (i.e. a month or more) of non-use of your tool, it is best to run your tool down until it is fully discharged before storing your battery pack. After a long period of storage, the capacity at first recharge will be lower. Normal capacity will be restored in two or three charge/discharge cycles. Remember to unplug charger during storage period.

5. If battery does not charge properly:

a. Check for voltage at outlet by plugging in some other electrical device.

b. Check to see if outlet is connected to

a light switch which turns power "off" when lights are turned off.

c. Check battery pack terminals for dirt. Clean with cotton swab and alcohol if necessary.

d. If you still do not get proper charging, take or send tool, battery pack and charger to your local Bosch Service Center. See "Tools, Electric" in the Yellow Pages for names and addresses.

Note: Use of chargers or battery packs not sold by Bosch will void the warranty.

Maintenance

Service

⚠ WARNING **NO USER SERVICEABLE PARTS INSIDE. Preventive maintenance performed by unauthorized personnel may result in misplacing of internal wires and components which could cause serious hazard.** We recommend that all tool service be performed by a Bosch Factory Service Center or Authorized Bosch Service Station. **SERVICEMEN:** Disconnect tool and/or charger from power source before servicing.

BATTERIES

Be alert for battery packs that are nearing their end of life. If you notice decreased tool performance or significantly shorter running time between charges then it is time to replace the battery pack. Failure to do so can cause the tool to operate improperly or damage the charger.

Long term battery storage should be in the discharged state. Battery packs last longer and re-charge better when they are stored discharged. Remember to fully re-charge battery packs before using after prolonged storage.

TOOL LUBRICATION

Your Bosch tool has been properly lubricated and is ready for use.

D.C. MOTORS

The motor in your tool has been engineered for many hours of dependable service. To maintain peak efficiency of the motor, we recommend it be examined every six months. Only a genuine Bosch replacement motor specially designed for your tool should be used.

Cleaning

⚠ WARNING **To avoid accidents, always disconnect the tool and/or charger from the power supply before cleaning.** The tool may be cleaned most effectively with compressed dry air. **Always wear safety goggles when cleaning tools with compressed air.**

Ventilation openings and switch levers must be kept clean and free of foreign matter. Do not attempt to clean by inserting pointed objects through opening.

⚠ CAUTION **Certain cleaning agents and solvents damage plastic parts.** Some of these are: gasoline, carbon tetrachloride, chlorinated cleaning solvents, ammonia and household detergents that contain ammonia.

Accessories

⚠ WARNING If an extension cord is necessary, a cord with adequate size conductors that is capable of carrying the current necessary for your tool must be used. This will prevent excessive voltage drop, loss of power or overheating. Grounded tools must use 3-wire extension cords that have 3-prong plugs and receptacles.

NOTE: The smaller the gauge number, the heavier the cord.

RECOMMENDED SIZES OF EXTENSION CORDS 120 VOLT ALTERNATING CURRENT TOOLS

Tool's Ampere Rating	Cord Size in A.W.G.				Wire Sizes in mm ²			
	Cord Length in Feet				Cord Length in Meters			
	25	50	100	150	15	30	60	120
3-6	18	16	16	14	0.75	0.75	1.5	2.5
6-8	18	16	14	12	0.75	1.0	2.5	4.0
8-10	18	16	14	12	0.75	1.0	2.5	4.0
10-12	16	16	14	12	1.0	2.5	4.0	—
12-16	14	12	—	—	—	—	—	—

- * Standard parallel width guide fence
- ** Deluxe angle fence
- ** Rabbeting depth stop
- * Blade wrench 2.5mm
- * Carbide reversible blades (2)
- * Vacuum connector

- ** Vacuum hose
- ** Chip bag

(* = standard equipment)
(** = optional accessories)

Consignes générales de sécurité pour tous les outils à pile

A AVERTISSEMENT

Vous devez lire et comprendre toutes les instructions. Le non-respect, même partiel, des instructions ci-après entraîne un risque de choc électrique, d'incendie et/ou de blessures graves.

CONSERVEZ CES INSTRUCTIONS

Aire de travail

Veillez à ce que l'aire de travail soit propre et bien éclairée. Le désordre et le manque de lumière favorisent les accidents.

N'utilisez pas d'outils électriques dans une atmosphère explosive, par exemple en présence de liquides, de gaz ou de poussières inflammables. Les outils électriques créent des étincelles qui pourraient enflammer les poussières ou les vapeurs.

Tenez à distance les curieux, les enfants et les visiteurs pendant que vous travaillez avec un outil électrique. Ils pourraient vous distraire et vous faire faire une fausse manoeuvre.

Sécurité électrique

Un outil à pile avec piles incorporées ou bloc-pile distinct doit être rechargé uniquement avec le chargeur indiqué pour la pile. Un chargeur qui peut être adéquat pour un type de pile peut créer un risque d'incendie lorsqu'il est utilisé avec une autre pile.

Utiliser un outil à pile uniquement avec le bloc-pile désigné spécifiquement. L'emploi de toute autre pile peut créer un risque d'incendie.

Sécurité des personnes

Restez alerte, concentrez-vous sur votre travail et faites preuve de jugement. N'utilisez pas un outil électrique si vous êtes fatigué ou sous l'influence de drogues, d'alcool ou de médicaments. Un instant d'inattention suffit pour entraîner des blessures graves.

Habillez-vous convenablement. Ne portez ni vêtements flottants ni bijoux. Confinez les cheveux longs. N'approchez jamais les cheveux, les vêtements ou les gants des pièces en mouvement. Des vêtements flottants, des bijoux ou des cheveux longs risquent d'être happés par des pièces en mouvement.

Évitez la mise en marche accidentelle. Assurez-vous que l'interrupteur est en position de blocage ou d'arrêt avant d'insérer le bloc-pile. Il est dangereux de transporter l'outil avec le doigt sur l'interrupteur ou d'insérer le bloc-pile dans un outil alors que l'interrupteur est en position de marche.

Enlevez les clés de réglage ou de serrage avant de démarrer l'outil. Une clé laissée dans une pièce tournante de l'outil peut provoquer des blessures.

Ne vous penchez pas trop en avant. Maintenez un bon appui et restez en équilibre en tout temps. Une bonne stabilité vous permet de mieux réagir à une situation inattendue.

Utilisez des accessoires de sécurité. Portez toujours des lunettes ou une visière. Selon les conditions, portez aussi un masque antipoussière, des bottes de sécurité antidérapantes, un casque protecteur et/ou un appareil antibruit.

Utilisation et entretien des outils

Immobilisez le matériau sur une surface stable au moyen de brides ou de toute autre façon adéquate. Le fait de tenir la pièce avec la main ou contre votre corps offre une stabilité insuffisante et peut amener un dérapage de l'outil.

Ne forcez pas l'outil. Utilisez l'outil approprié à la tâche. L'outil correct fonctionne mieux et de façon plus sécuritaire. Respectez aussi la vitesse de travail qui lui est propre.

N'utilisez pas l'outil si l'interrupteur ne le met pas en marche ou à l'arrêt. Un outil qui ne peut être contrôlé par l'interrupteur est dangereux et doit être réparé.

Débranchez le bloc-pile de l'outil ou mettez l'interrupteur en position de blocage ou d'arrêt avant d'effectuer tout réglage, de changer les accessoires ou de remiser l'outil. Ces mesures de sécurité préventives réduisent le risque d'une mise en marche accidentelle de l'outil.

Rangez les outils hors de la portée des enfants et d'autres personnes inexpérimentées. Les outils sont dangereux dans les mains d'utilisateurs novices.

Lorsque le bloc-pile n'est pas en usage, tenez-le à l'écart d'autres objets métalliques tels que trombones, pièces de monnaie, clés, clous, vis ou autres petits objets métalliques susceptibles d'établir une connexion d'une borne à une autre. Le court-circuitage des bornes de batterie ensemble peut causer des étincelles, des brûlures ou un incendie.

Prenez soin de bien entretenir les outils. Les outils de coupe doivent être toujours bien affûtés et propres. Des outils bien entretenus, dont les arêtes sont bien tranchantes, sont moins susceptibles de coincer et plus faciles à diriger.

Soyez attentif à tout désalignement ou coincement des pièces en mouvement, à tout bris ou à toute autre condition préjudiciable au bon fonctionnement de l'outil. Si vous constatez qu'un outil est endommagé, faites-le réparer avant de vous en servir. De nombreux accidents sont causés par des outils en mauvais état.

N'utilisez que des accessoires que le fabricant recommande pour votre modèle d'outil. Certains accessoires peuvent convenir à un outil, mais être dangereux avec un autre.

Réparation

La réparation des outils électriques doit être confiée à un réparateur qualifié. L'entretien ou la réparation d'un outil électrique par un amateur peut avoir des conséquences graves.

Pour la réparation d'un outil, n'employez que des pièces de rechange d'origine. Suivez les directives données à la section « Réparation » de ce manuel. L'emploi de pièces non autorisées ou le non-respect des instructions d'entretien peut créer un risque de choc électrique ou de blessures.

Consignes de sécurité pour les rabots sans fil

Fixez la pièce à raboter. Ne la tenez jamais à la main et ne la posez jamais sur vos genoux. Les petites pièces doivent être correctement bridées pour les empêcher d'être happées par la rotation des fers du rabot quand on pousse celui-ci vers l'avant. Si le support est instable, les fers risquent de coincer et de causer une perte de contrôle et des blessures.

Démarrez toujours le rabot et laissez-le monter en régime avant de mettre le fer en contact avec la pièce. L'outil risque de vibrer ou de sursauter si la vitesse du fer est trop faible quand on commence le rabotage et il risque de reculer brutalement.

Vérifiez que la pièce est exempte de clous. S'il y a des clous, enlevez-les ou chassez-les bien en dessous de la dimension souhaitée pour la surface terminée. Si les fers du rabot rencontrent des objets tels que des clous, l'outil risque de reculer brutalement et de causer des blessures corporelles graves.

Débranchez le bloc-pile de l'outil ou placez l'interrupteur à la position de blocage ou d'arrêt avant d'effectuer tout assemblage ou réglage ou de changer les accessoires. Ces mesures de sécurité préventives réduisent le risque d'une mise en marche accidentelle de l'outil.

Après avoir changé les fers, faites tourner le cylindre porte-fers (tambour) pour vérifier que les fers ne touchent aucune partie du carter et que les vis de blocage des fers sont serrées. Les fers en rotation risquent de heurter le carter de l'outil et d'abîmer celui-ci. Ils risquent aussi de causer des blessures.

Tenez toujours l'outil fermement à deux mains pour mieux le maîtriser.

Ne tirez jamais le rabot vers l'arrière sur la surface de la pièce. Vous risquez d'en perdre le contrôle.

Ne mettez pas les doigts ou tout autre objet dans la buse d'évacuation des copeaux. Ne dégagéz jamais les copeaux avec l'outil en marche. Vous vous blesseriez si vous touchiez le tambour porte-fers.

Débranchez le bloc-pile de l'outil s'il devenait nécessaire de dégager les copeaux. Les fers sont cachés et ils risquent de vous couper si vous les touchez.

Ne posez jamais le rabot avant que le fer soit à l'arrêt complet. Si le fer touchait une surface lorsque le tambour est en roue libre, vous risqueriez de perdre le contrôle de votre rabot.

⚠ AVERTISSEMENT Les travaux à la machine tel que ponçage, sciage, meulage, perçage et autres travaux du bâtiment peuvent créer des poussières contenant des produits chimiques qui sont des causes reconnues de cancer, de malformation congénitale ou d'autres problèmes reproductifs. Ces produits chimiques sont, par exemple :

- Le plomb provenant des peintures à base de plomb,
- Les cristaux de silices provenant des briques et du ciment et d'autres produits de maçonnerie, et
- L'arsenic et le chrome provenant des bois traités chimiquement.

Le niveau de risque dû à cette exposition varie avec la fréquence de ces types de travaux. Pour réduire l'exposition à ces produits chimiques, il faut travailler dans un lieu bien ventilé et porter un équipement de sécurité approprié tel que certains masques à poussière conçus spécialement pour filtrer les particules microscopiques.

Chargeur de pile

Avant d'utiliser le chargeur de pile, lisez toutes les consignes et tous les marquages d'avertissement sur (1) le chargeur de pile, (2) le bloc-pile et (3) le produit utilisant la pile.

N'utilisez que le chargeur qui accompagnait votre produit ou remplacement direct, comme indiqué dans le catalogue ou ce manuel. Ne substituez aucun autre chargeur. N'utiliser que les chargeurs approuvés par Bosch avec votre produit. Voir Description fonctionnelle et Spécifications.

Ne désassemblez pas le chargeur et ne l'utilisez pas s'il a reçu un choc violent, s'il est tombé ou s'il a été endommagé par ailleurs. Remplacez immédiatement les cordons ou les fiches abîmés. Un remontage incorrect ou des dommages peuvent provoquer un incendie ou des secousses électriques.

Ne rechargez pas la pile dans un environnement mouillé ou humide. N'exposez pas le chargeur à la pluie ou la neige. Si le boîtier de la pile est fissuré ou endommagé par ailleurs, ne l'insérez pas dans le chargeur. Il pourrait y avoir un incendie ou un court-circuit de pile.

Ne charger que des piles rechargeables approuvées par Bosch. Voir Description fonctionnelle et Spécifications. Les autres types de piles peuvent éclater causant ainsi des blessures et des dommages.

Chargez le bloc-pile à des températures de plus de 4 degrés C (+40°F) et de moins de 41 degrés C

(+105°F). Rangez l'outil et le bloc-pile à des endroits dont la température ne dépasse pas 49 degrés C (+120°F). Ceci est important pour prévenir des dommages considérables aux éléments des piles.

Il peut y avoir une fuite de pile dans des conditions extrêmes d'utilisation ou de température. Évitez tout contact avec la peau et les yeux. Le liquide de pile est caustique et pourrait causer des brûlures chimiques aux tissus. Si le liquide vient en contact avec la peau, lavez rapidement à l'eau savonneuse, puis au jus de citron ou au vinaigre. Si le liquide vient en contact avec les yeux, rincez-les à l'eau pendant au moins 10 minutes et sollicitez des soins médicaux.

Posez le chargeur sur une surface plate inflammable et à distance de matériaux inflammables lorsqu'on recharge un bloc-piles. Le chargeur et le bloc-piles s'échauffent pendant la charge. Le coussinet de mousse souple et autres surfaces isolantes empêchent la circulation normale de l'air, ce qui peut provoquer une surchauffe du chargeur et du bloc-piles. S'il y a dégagement de fumée ou si le boîtier fond, débranchez le chargeur immédiatement et n'utilisez ni le chargeur, ni le bloc-piles.

L'utilisation d'un accessoire non recommandé ni vendu par Bosch peut causer des risques d'incendie, de chocs électriques ou de lésions corporelles.

Entretien des piles

⚠ AVERTISSEMENT Lorsque les piles ne sont pas dans l'outil ou le chargeur, gardez-les à l'écart d'objets métalliques. Ainsi, pour éviter un court-circuitage des bornes, **NE PLACEZ PAS** les piles dans la boîte à outils ou dans la poche avec des clous, des vis, des clés, etc. Ceci peut provoquer un incendie ou des blessures.

⚠ AVERTISSEMENT Afin d'éviter tout risque d'incendie ou de blessure lorsque les piles ne sont pas dans l'outil ou dans le chargeur, placez toujours un capuchon de sécurité sur l'extrémité du bloc-piles. Le capuchon de protection protège contre les courts circuits aux bornes.

NE METTEZ PAS LES PILES AU FEU ET NE LES EXPOSEZ PAS À UNE CHALEUR ÉLEVÉE. Elles peuvent exploser.

Mise au rebut des piles

AVERTISSEMENT Ne tentez pas de désassembler le bloc-piles ou d'enlever tout composant faisant saillie des bornes de piles, ce qui peut provoquer un incendie ou des blessures. Avant la mise au rebut, protégez les bornes exposées à l'aide d'un ruban isolant épais pour prévenir le court-circuitage.

PILES NICKEL-CADMIUM

Si le produit est équipé d'une pile nickel-cadmium, la pile doit être ramassée, recyclée ou mise au rebut d'une manière qui ne soit pas nocive pour l'environnement.



“Le sceau RBRC de recyclage des piles, homologué par l'EPA (Agence pour la protection de l'environnement des États-Unis), qui se trouve sur les piles au nickel-cadmium (Ni-Cd) indique que Robert Bosch Tool Corporation

participe volontairement à un programme industriel de ramassage et de recyclage de ces piles au terme de

leur vie utile, pourvu qu'elles soient mises hors service aux États-Unis ou au Canada. Le programme du RBRC offre une alternative pratique à la mise des piles au Ni-Cd usées au rebut ou au ramassage d'ordures municipal, ce qui pourrait être interdit dans votre région.

Veuillez appeler le 1-800-8-BATTERY pour obtenir de plus amples renseignements sur le recyclage des piles au Ni-Cd et sur les restrictions ou interdictions de mise au rebut qui s'appliquent à votre région ou renvoyez vos piles à un Centre de Service Skil/Bosch/Dremel pour recyclage. La participation de Robert Bosch Tool Corporation à ce programme s'insère dans le contexte de notre engagement à préserver notre environnement et à conserver nos ressources naturelles.”


PILES NICKEL-HYDRURE DE MÉTAL


Si le produit est équipé d'une pile nickel-hydrure de métal, la pile peut être mise au rebut dans un flux de déchets solides municipaux.

Symboles

IMPORTANT : Certains des symboles suivants peuvent être utilisés sur votre outil. Veuillez les étudier et apprendre leur signification. Une interprétation appropriée de ces symboles vous permettra d'utiliser l'outil de façon plus efficace et plus sûre.


Symbole	Nom	Désignation/Explication
V	Volts	Tension (potentielle)
A	Ampères	Courant
Hz	Hertz	Fréquence (cycles par seconde)
W	Watt	Puissance
kg	Kilogrammes	Poids
min	Minutes	Temps
s	Secondes	Temps
∅	Diamètre	Taille des mèches de perceuse, meules, etc.
n_0	Vitesse à vide	Vitesse de rotation, à vide
.../min	Tours ou mouvement alternatif par minute	Tours, coups, vitesse en surface, orbites, etc., par minute
0	Position d'arrêt	Vitesse zéro, couple zéro ...
1, 2, 3, ... I, II, III, ...	Réglages du sélecteur	Réglages de vitesse, de couple ou de position. Un nombre plus élevé signifie une vitesse plus grande.
	Sélecteur variable à l'infini avec arrêt	La vitesse augmente depuis le réglage 0
	Flèche	Action dans la direction de la flèche
	Courant alternatif	Type ou caractéristique du courant
	Courant continu	Type ou caractéristique du courant
	Courant alternatif ou continu	Type ou caractéristique du courant
	Construction classe II isolation	Désigne des outils construits avec double
	Borne de terre	Borne de mise à la terre
	Symbole d'avertissement	Alerte l'utilisateur aux messages d'avertissement.
	Sceau Ni-Cad RBRC™	Désigne le programme de recyclage des piles Ni-Cad.

 Ce symbole signifie que cet outil est approuvé par Underwriters Laboratories.

 Ce symbole signifie que cet outil est approuvé conformément aux normes canadiennes par Underwriters Laboratories.

 Ce symbole signifie que cet outil se conforme aux normes mexicaines NOM.

 Ce symbole signifie que cet outil est approuvé par l'Association canadienne de normalisation.

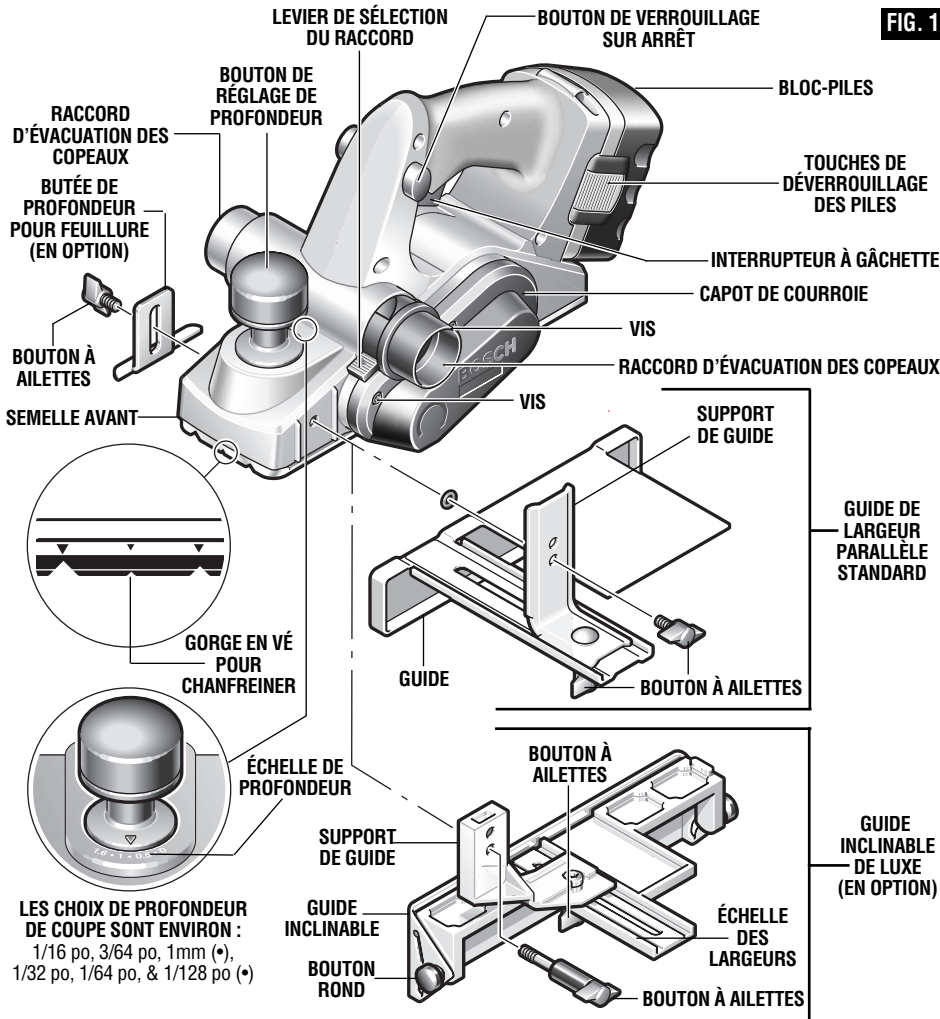
 Ce symbole signifie que cet outil est approuvé par Underwriters Laboratories et qu'il a été homologué selon les normes canadiennes par Underwriters Laboratories.

Description fonctionnelle et spécifications

⚠ AVERTISSEMENT Débranchez le bloc-pile de l'outil ou placez l'interrupteur à la position de blocage ou d'arrêt avant d'effectuer tout assemblage ou réglage ou de changer les accessoires. Ces mesures de sécurité préventives réduisent le risque d'une mise en marche accidentelle de l'outil.

Robot sans fil

FIG. 1



Numéro de chargeur	Tension nominale	Régime à vide	Temps de charge	Numéro de chargeur	Tension nominale	Bloc piles
53514	14.4 V	n ₀ 13,000/min	1 hr.	BC001-6 & BC016	120 V ~ 60 Hz	BAT040 et BAT038
53518	18 V	n ₀ 13,000/min	1 hr.	BC003, 4, 6, & BC016	120 V ~ 60 Hz	BAT026 et BAT025

Capacidades máximas

Profundidad de acepillad	0 - 1/16" (0 - 1,6 mm)
Profundidad de rebajado	0 - 5/16" (0 - 8 mm)
Anchura de corte	3-1/4" (82 mm)

Le chargeur BC006 nécessite une puissance d'alimentation de 12 V CC.

NOTE : N'UTILISER QUE LES CHARGEURS REPERTORIES CI-DESSUS

Assemblage

ÉVACUATION DES COPEAUX

Le rabot est muni de deux raccords d'évacuation de copeaux sur lesquels on peut brancher soit un sac à copeaux soit un aspirateur d'atelier avec un raccord d'aspiration (Fig. 2) pour améliorer la propreté de votre environnement de travail. Le sac à copeaux ou le raccord d'aspiration peut être branché sur l'un ou l'autre des raccords d'évacuation.

Quand le levier de sélection du raccord est en position 1, (vers l'avant de l'outil), les copeaux sont évacués à gauche. En position 2 (vers l'arrière de l'outil), les copeaux sont évacués à droite (Fig. 1).

FERS DE RABOT

AVERTISSEMENT Les fers de rabot sont coupants et fragiles. Ils doivent être manipulés avec soin pour éviter de se blesser ou de les abîmer.

Les fers ont deux bords tranchants et ils peuvent être retournés quand un des tranchants est émoussé ou ébréché.

N'essayez pas d'affûter les fers ou d'utiliser des fers ré-affûtés quels qu'ils soient. N'utilisez que des fers conçus pour ce modèle. Toute autre fer risque de causer des vibrations, de réduire la performance de la machine ou d'être mal serrée dans le fer-lame.

CLÉ À FER ET CASE DE RANGEMENT

Votre outil est pourvu d'une clé à fer qui est située commodément dans la base de la poignée où elle est toujours à la portée de la main et peu susceptible d'être perdue ou égarée (Fig. 3).

RETOURNEMENT OU REMPLACEMENT DES FERS

Pour retourner ou remplacer le fer, desserrer les vis de blocage à l'aide de la clé à fers. Une fois les vis desserrées, faites glisser le fer dans le sens axial pour le sortir du tambour en faisant bien attention d'éloigner les doigts des bords tranchants du fer (Fig. 4).

Vous pouvez utiliser un morceau de bois pour cette opération. Si le fer est encrassé et difficile à enlever, vous pouvez le nettoyer avec du solvant, du diluant à vernis ou de l'alcool.

Nettoyez toutes les surfaces avant de monter le fer neuf. Cela assurera qu'il est positionné précisément et permettra à l'outil de fonctionner correctement.

ALIGNEMENT DU FER

Pour que le rabotage soit régulier, le fer doit être à ras des bords extérieurs des semelles avant et arrière. Pour effectuer l'alignement, placez un règle ou un morceau de bois le long de l'extérieur des semelles avant et arrière, et ensuite enfoncez la lame jusqu'à ce qu'elle touche tout juste le règle ou le morceau de bois (Fig. 5).

Assurez-vous que le fer est bien en place dans la fente du tambour.

Vous pouvez maintenant serrer les vis de blocage qui tiennent le fer en place. Votre rabot est alors prêt à l'emploi.

FIG. 2

SAC À COPEAUX (EN OPTION)

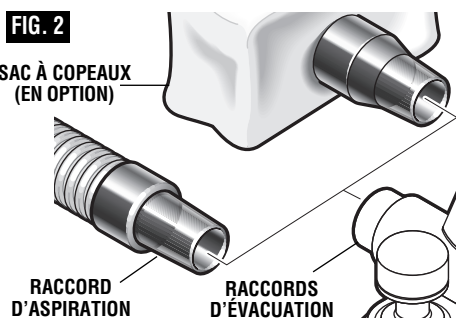


FIG. 3

CLÉ À FER ET CASE DE RANGEMENT

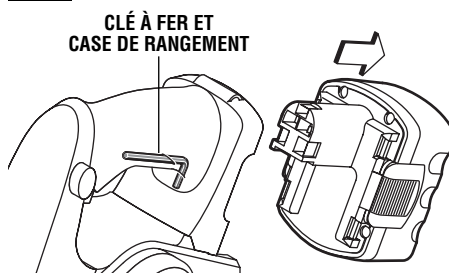
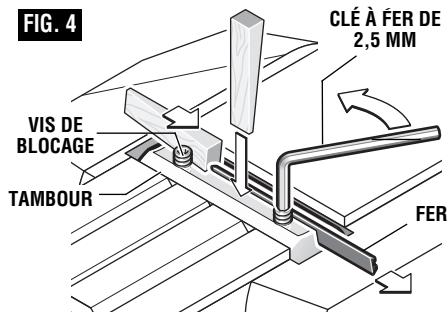


FIG. 4

CLÉ À FER DE 2,5 MM



VIS DE BLOCAGE
TAMBOUR

CLÉ À FER

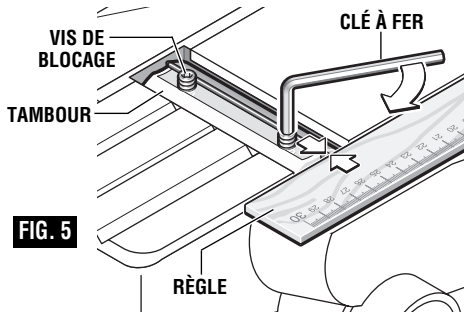


FIG. 5

RÈGLE

Consignes de fonctionnement

INTERRUPTEUR MARCHE/ARRÊT À GÂCHETTE

⚠ AVERTISSEMENT Tenez l'outil à deux mains quand vous le démarrez car le couple du moteur risque de le faire pivoter.

Pour mettre l'outil en marche, enfoncez le bouton de verrouillage sur arrêt et appuyez sur l'interrupteur à gâchette. Pour arrêter l'outil, lâchez la gâchette. Elle est rappelée par ressort et reviendra automatiquement à la position arrêt.

Pour allonger la durée de vie de l'interrupteur, ne démarrez pas l'outil ou ne l'arrêtez pas quand celui-ci ou le tambour est appuyé contre la pièce à raboter.

FREIN

Quand on relâche la gâchette, le frein est actionné et arrête rapidement la lame. Cette caractéristique est des plus utiles lors de sciages à répétition.

RABOTAGE

Vérifiez que la pièce est bien fixée sur votre surface de travail. Placez-vous debout dans une position confortable et saisissez le rabot fermement avec les deux mains. Avec le rabot bien réglé, posez la semelle

avant sur la pièce (en s'assurant que la tambour ne touche pas la pièce) et démarrez le rabot comme décrit précédemment. Tout en maintenant la pression sur la semelle avant et avec le guide contre le côté de la pièce (pour obtenir la largeur ou l'angle de coupe désiré), faire avancer le rabot régulièrement jusqu'à ce que la semelle arrière repose complètement sur la pièce. Transférez alors graduellement la pression vers la semelle arrière et continuez à raboter jusqu'à la fin de la passe. Faites avancer le rabot à une vitesse régulière et raisonnable pour ne pas placer de contraintes excessives sur le moteur ou les fers, (ne faites pas avancer le rabot en la mauvaise direction). Faites des passes progressives jusqu'à ce que vous soyez près de la profondeur finale. Réglez alors le rabot pour une profondeur de coupe faible qui vous permettra d'obtenir un meilleur fini lors de la dernière passe.

⚠ MISE EN GARDE Il se peut que le moteur cale en cas d'usage incorrect ou de surcharge. Réduire la pression (vitesse d'avance) ou la profondeur de coupe pour éviter d'abîmer l'outil quand le moteur peine.

RÉGLAGE DE LA PROFONDEUR DE COUPE

La profondeur de coupe correcte dépend de la dureté du matériau, de son aspect gommeux et de son taux d'humidité aussi bien que de la vitesse d'avance. Sa détermination requiert de l'expérience. Commencez avec une profondeur faible et augmentez-la si le rabot se déplace facilement sur la pièce sans sollicitation excessive du moteur. Ne changez pas la profondeur de coupe pendant le rabotage.

La profondeur de coupe est déterminée par la différence de hauteur entre la semelle avant réglable et la semelle arrière fixe. Quand on règle la semelle avant, elle se rétracte et fait apparaître le fer, qui peut alors raboter la profondeur désirée sur la pièce. La profondeur de coupe est graduée de 0 à 1/16 po, avec '0' indiquant que le fer est complètement rentré.

Réglage de la profondeur de coupe : Faites tourner le bouton de réglage de la profondeur jusqu'à ce que l'index s'enclenche dans le cran, ce qui indique la profondeur de coupe désirée sur le cadran de profondeur (Fig. 1).

Le rabot peut être réglé pour n'importe quelle profondeur de coupe entre 0 et 1/16 po.

GUIDE DE LARGEUR PARALLÈLE STANDARD

Le guide de largeur peut être utilisé pour raboter des largeurs variées (Fig. 1).

Montage du guide : Enfilez le bouton à ailettes dans le trou du support de guide approprié et vissez-le dans le carter. Serrez fermement le bouton à ailette.

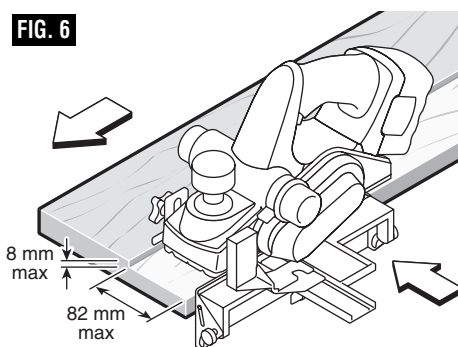
Réglage de la largeur de rabotage : Desserrez le bouton à ailettes et faites coulisser le guide le long de son support pour le mettre à la position souhaitée. Serrez fermement le bouton à ailettes. Assurez-vous que la rondelle plate (fournie) est installée correctement entre le dessous du guide et le bouton à ailettes, sinon, il est probable que le guide se dérèglera.

GUIDE INCLINABLE DE LUXE

Le guide inclinable de luxe en option (Fig. 6) peut être utilisé pour raboter à des largeurs variées et aussi pour raboter des chanfreins à tout angle inférieur ou égal à 45 degrés (Fig. 7).

Montage du guide inclinable : Enfilez le bouton à ailettes par le trou approprié du support de guide et

FIG. 6



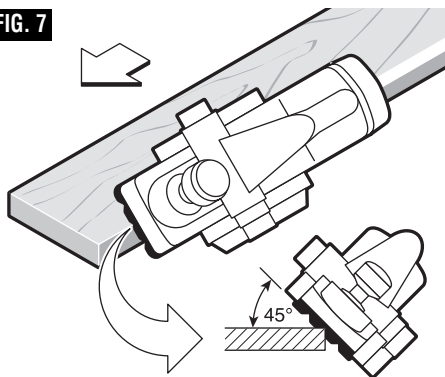
vissez-le dans le carter. Serrez fermement le bouton à ailettes (Fig. 1).

Réglage de la largeur de coupe : Desserrer le bouton à ailettes et, en vous aidant de l'échelle des largeurs, faites coulisser le guide le long de son support pour le mettre à la position souhaitée. Serrez fermement le bouton à ailettes (Fig. 1).

Réglage de l'angle : Desserrer les boutons ronds et faites pivoter le guide à la position désirée. Serrez fermement les boutons ronds (Fig. 1).

Remarquez que la semelle avant réglable est munie d'une rainure en V pour chanfreins qui permet de suivre l'arête de la pièce pour faciliter le rabotage quand vous utilisez le guide inclinable de luxe (Fig. 7).

FIG. 7



BUTÉE DE PROFONDEUR POUR FEUILLURES

La butée de profondeur pour feuillures, vendue en option, (Fig. 1) vous permet de régler le rabot pour réaliser des feuillures de profondeur quelconque entre 0 et 5/16 po. Pour obtenir de bons résultats, il faut que le fer soit aligné correctement (voir ALIGNEMENT DU FER). La largeur de la feuillure se règle avec le guide de largeur. Sa largeur maximale est de 3 - 1/4 po. La profondeur finale s'obtient en faisant des

passes successives jusqu'à ce que la butée de profondeur pour feuillures touche la surface de la pièce. La profondeur maximale de la feuillure est de 5/16 po.

Réglage de la profondeur de la feuillure : Desserrez le bouton à ailettes et, en vous aidant de l'échelle de profondeur sur la butée de profondeur pour feuillures, réglez à la profondeur désirée. Serrez fermement le bouton à ailettes.

COURROIE DE TRANSMISSION

La courroie de transmission est une pièce d'usure normale. Contrôlez son usure périodiquement. Si elle apparaît se dessécher, se fissurer ou se déchirer, il faut la remplacer. Si elle ne reste pas en ligne ou glisse des poulies, il faut également la remplacer.

Montage d'une courroie neuve : desserrer les vis et enlever le capot de courroie (Fig. 8). Coupez et

enlevez la courroie usée. Avant de monter la courroie neuve, nettoyez à fond les deux poulies. Commencez par placer la courroie neuve sur la poulie menante, ensuite tournez la courroie en sens horaire tout en la poussant sur la poulie menée. Remontez le capot de courroie et serrez les vis fermement (Fig. 9).

FIG. 8

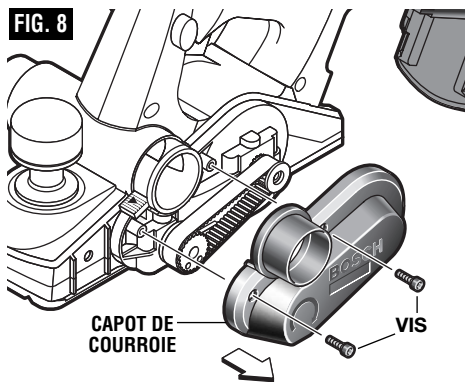
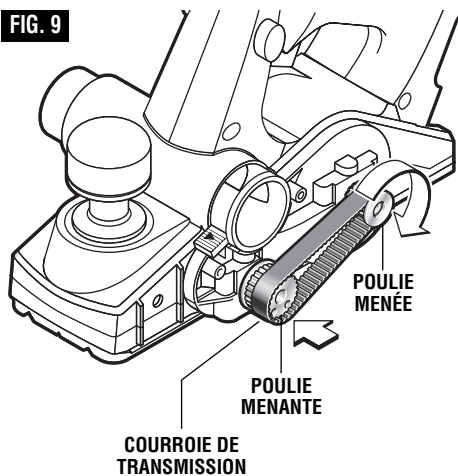


FIG. 9



DÉPOSE ET REPOSE DU BLOC-PILES

Enlevez le bloc-piles de l'outil en pinçant les deux côtés à la hauteur des touches de déverrouillage et en le tirant vers le bas. Avant d'introduire le bloc-piles, retirez le capuchon de protection de celui-ci. Pour

remettre le bloc dans l'outil, glissez-le dans l'ouverture jusqu'à ce qu'il se verrouille en place. Ne forcez pas outre mesure.

CHARGE DU BLOC-PILE (CHARGEUR DE 1 HEURE)

Branchez le cordon du chargeur dans votre prise de courant standard. Avant d'introduire le bloc-piles, retirez le capuchon de protection et introduisez le bloc-piles dans le chargeur (Fig. 10).

Le témoin vert du chargeur commencera à CLIGNOTER, ce qui indique que la pile reçoit une charge rapide. La charge rapide s'arrêtera automatiquement lorsque le bloc-pile est à pleine charge.

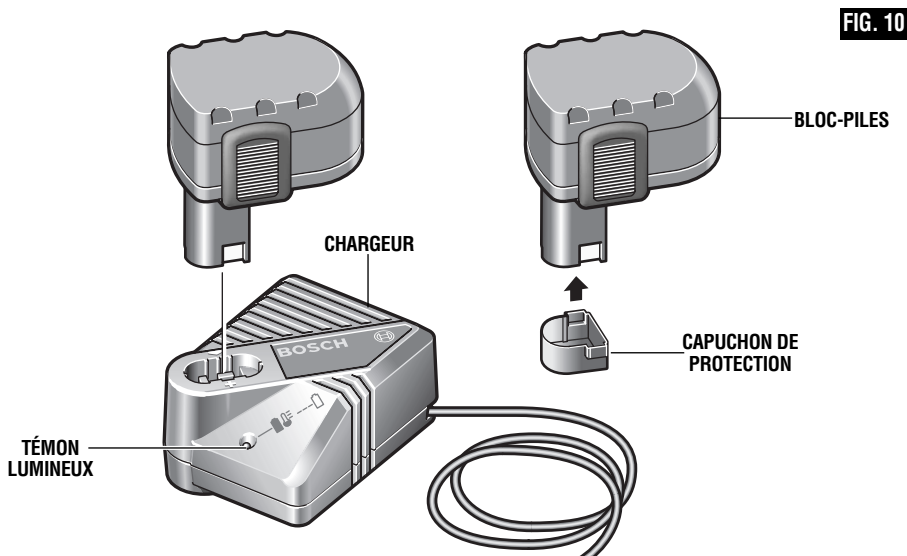
Le témoin CESSE DE CLIGNOTER (et s'allume en vert continu) au terme de la charge rapide.

Lorsque vous commencez le processus de charge du bloc-pile, un témoin vert continu pourrait également signifier que le bloc-pile est trop chaud ou trop froid.

Le témoin a pour but d'indiquer que le bloc-pile est en charge rapide. Il n'indique pas le point exact de pleine charge. Le témoin cessera de clignoter en moins de temps si le bloc-pile n'était pas entièrement déchargé.

Lorsque le bloc-pile est entièrement chargé, débranchez le chargeur (à moins que vous ne chargiez un autre bloc-pile) et réinsérez le bloc-pile dans la poignée de l'outil.

Afin d'éviter tout risque d'incendie ou de blessure lorsque les piles ne sont pas dans l'outil ou dans le chargeur, placez toujours un capuchon de sécurité sur l'extrémité du bloc-piles. Le capuchon de protection protège contre les courts circuits aux bornes.



REMARQUES IMPORTANTES CONCERNANT LA CHARGE

1. Lors des premiers cycles de charge, le bloc-piles neuf n'absorbe que 80 % de sa capacité maximale. Par la suite, cependant, les piles se chargeront à pleine capacité.

2. De même, le chargeur n'est destiné qu'à la charge rapide des bloc-piles dont la température se situe entre 4°C (40°F) et 41°C (105°F).

3. Une diminution marquée de la réserve énergétique entre les charges peut signaler l'épuisement du bloc-piles et le besoin d'un remplacement.

4. Si vous prévoyez de longues périodes (à savoir, un mois ou plus) de non-utilisation de votre outil, il est préférable d'utiliser votre outil jusqu'à ce que sa pile soit entièrement déchargée avant de remiser votre bloc-pile. Après une longue période de remisage, la

capacité sera réduite à la première recharge. La capacité normale sera rétablie en deux ou trois cycles de charge/décharge. N'oubliez pas de débrancher le chargeur durant la période de remisage.

5. Si le bloc-piles ne se charge pas normale-ment :

a. Vérifiez la présence de courant à la prise en y branchant un autre appareil électrique.

b. Vérifiez si la prise n'est pas raccordée conjointement à un interrupteur qui servirait à éteindre les lumières.

c. Vérifiez la propreté des bornes du bloc-piles. Nettoyez-les au besoin avec un bâtonnet imbibé d'alcool.

d. Si vous n'arrivez toujours pas à obtenir la charge satisfaisante, confiez l'outil, le bloc-piles et le chargeur à votre centre d'entretien Bosch habituel. Voir les noms et adresses des centres d'entretien sous la rubrique « Outils électriques » dans les pages jaunes de l'annuaire de téléphone.

Remarque : L'utilisation de chargeurs ou de bloc-piles non vendus par Bosch annule la garantie.

Entretien

Service

⚠ AVERTISSEMENT IL N'EXISTE À L'INTÉRIEUR AUCUNE PIÈCE SUSCEPTIBLE D'ÊTRE ENTRETENUE PAR L'UTILISATEUR. L'entretien préventif exécuté par des personnes non autorisés peut entraîner un positionnement erroné des composants et des fils internes, ce qui peut présenter de graves dangers. Nous recommandons de confier toute intervention d'entretien sur l'outil à un centre de service-usine Bosch ou à un centre de service après-vente Bosch agréé. TECHNICIENS : Débranchez l'outil et/ou le chargeur de la source de courant avant d'entretenir.

PILES

Faire attention aux blocs-piles qui approchent la fin de leur vie. Si vous remarquez une diminution dans les performances de votre outil ou une durée de fonctionnement réduite de manière significative entre charges, il est temps de remplacer le bloc-piles. S'il n'est pas remplacé, il se peut qu'il endommage le chargeur ou que l'outil fonctionne incorrectement.

Les piles doivent être déchargées avant de les entreposer pour une longue durée. Les blocs-piles durent plus longtemps et se rechargent mieux quand ils sont rangés déchargés. Rappelez-vous qu'il faut complètement recharger les blocs-piles avant toute utilisation survenant après un stockage prolongé.

GRAISSAGE DE L'OUTIL

Votre outil Bosch a été graissé de manière appropriée et il est prêt à l'usage.

MOTEURS C.C.

Le moteur de votre outil a été conçu pour de nombreuses heures d'utilisation fiable. Pour maintenir l'efficacité maximale du moteur, nous recommandons de l'examiner tous les six mois. Seul un moteur de remplacement Bosch authentique, conçu spécialement pour votre outil, doit être utilisé.

Nettoyage

⚠ AVERTISSEMENT Pour éviter les accidents, débranchez toujours l'outil et/ou le chargeur de la source de courant avant de nettoyer. La façon la plus efficace de nettoyer l'outil est à l'aide d'air sec comprimé. **Portez toujours des lunettes de sécurité en nettoyant les outils à l'air comprimé.**

Les prises d'air et les leviers de commutation doivent être gardés propres et exempts de corps étrangers. Ne tentez pas de nettoyer en insérant des objets pointus à travers l'ouverture.

⚠ MISE EN GARDE Certains agents de nettoyage et certains dissolvants abîment les pièces en plastique. Parmi ceux-ci se trouvent: l'essence, le tétrachlorure de carbone, les dissolvants de nettoyage chlorés, l'ammoniaque ainsi que les détergents domestiques qui en contiennent.

Accessoires

⚠ AVERTISSEMENT Si un cordon de rallonge s'avère nécessaire, vous devez utiliser un cordon avec conducteurs de dimension adéquate pouvant porter le courant nécessaire à votre outil. Ceci préviendra une chute excessive de tension, une perte de courant ou une surchauffe. Les outils mis à la terre doivent utiliser des cordons de rallonge trifilaires pourvus de fiches à trois broches.

REMARQUE : Plus le calibre est petit, plus le fil est gros.

DIMENSIONS DE RALLONGES RECOMMANDÉES OUTILS 120 VOLTS COURANT ALTERNATIF

Intensité nominale de l'outil	Calibre A.W.G.				Calibre en mm ²			
	Longueur en pieds				Longueur en mètres			
	25	50	100	150	15	30	60	120
3-6	18	16	16	14	0,75	0,75	1,5	2,5
6-8	18	16	14	12	0,75	1,0	2,5	4,0
8-10	18	16	14	12	0,75	1,0	2,5	4,0
10-12	16	16	14	12	1,0	2,5	4,0	—
12-16	14	12	—	—	—	—	—	—

- * Guide de largeur parallèle standard
- ** Guide inclinable de luxe
- ** Butée de profondeur pour feuillures
- * Clé à fer de 2,5 mm
- * Fers en carbure réversibles (2)

- * Raccord d'aspiration
- ** Tuyau d'aspiration
- ** Sac à copeaux

(* = équipement de série)
(* = accessoires optionnels)

Normas generales de seguridad para todas las herramientas accionadas por baterías

⚠ ADVERTENCIA Lea y entienda todas las instrucciones. El incumplimiento de todas las instrucciones indicadas a continuación puede dar lugar a sacudidas eléctricas, incendios y/o lesiones personales graves.

CONSERVE ESTAS INSTRUCCIONES

Area de trabajo

Mantenga el área de trabajo limpia y bien iluminada. Las mesas desordenadas y las áreas oscuras invitan a que se produzcan accidentes.

No utilice herramientas mecánicas en atmósferas explosivas, tales como las existentes en presencia de líquidos, gases o polvos inflamables. Las herramientas mecánicas generan chispas y éstas pueden dar lugar a la ignición del polvo o los vapores.

Mantenga a las personas que se encuentren presentes, a los niños y a los visitantes alejados al utilizar una herramienta mecánica. Las distracciones pueden hacer que usted pierda el control.

Seguridad eléctrica

Una herramienta accionada por baterías que tenga baterías integradas o un paquete de baterías separado se debe recargar solamente con el cargador especificado para la batería. Un cargador que puede ser adecuado para un tipo de batería puede crear un peligro de incendio cuando se usa con otra batería.

Utilice la herramienta accionada por baterías solamente con el paquete de baterías designado específicamente. El uso de cualquier otra batería puede crear un peligro de incendio.

Seguridad personal

Manténgase alerta, fíjese en lo que está haciendo y use el sentido común cuando utilice una herramienta mecánica. No use la herramienta cuando esté cansado o se encuentre bajo la influencia de drogas, alcohol o medicamentos. Un momento de distracción al utilizar herramientas mecánicas puede dar lugar a lesiones personales graves.

Vístase adecuadamente. No se ponga ropa holgada ni joyas. Sujétese el pelo. Mantenga el pelo, la ropa y los guantes alejados de las piezas móviles. La ropa holgada, las joyas o el pelo largo pueden quedar atrapados en las piezas móviles.

Evite el arranque accidental. Asegúrese de que el interruptor esté en la posición fijada o de apagado antes de introducir el paquete de baterías. Llevar herramientas con el dedo en el interruptor o introducir el paquete de baterías en una herramienta con el interruptor en la posición de encendido invita a que se produzcan accidentes.

Quite las llaves de ajuste o de tuerca antes de encender la herramienta. Una llave de ajuste o de

tuerca que se deje puesta en una pieza giratoria de la herramienta puede ocasionar lesiones personales.

No intente alcanzar demasiado lejos. Mantenga un apoyo de los pies y un equilibrio adecuados en todo momento. El apoyo de los pies y el equilibrio adecuados permiten un mejor control de la herramienta en situaciones inesperadas.

Utilice equipo de seguridad. Use siempre protección de los ojos. Se debe utilizar una máscara antipolvo, zapatos de seguridad antideslizantes, casco o protección de los oídos según lo requieran las condiciones.

Utilización y cuidado de las herramientas

Utilice abrazaderas u otro modo práctico de fijar y soportar la pieza de trabajo a una plataforma estable. La sujeción de la pieza de trabajo con la mano o contra el cuerpo resulta inestable y puede ocasionar pérdida de control.

No fuerce la herramienta. Use la herramienta correcta para la aplicación que desea. La herramienta correcta hará el trabajo mejor y con más seguridad a la capacidad nominal para la que está diseñada.

No utilice esta herramienta si el interruptor no la enciende o apaga. Una herramienta que no se puede controlar con el interruptor es peligrosa y se debe reparar.

Desconecte el paquete de baterías de la herramienta o ponga el interruptor en la posición fijada o de apagado antes de hacer cualquier ajuste, cambiar accesorios o guardar la herramienta. Dichas medidas preventivas de seguridad reducen el riesgo de arrancar la herramienta accidentalmente.

Guarde las herramientas que no esté usando fuera del alcance de los niños y otras personas no capacitadas. Las herramientas son peligrosas en las manos de los usuarios no capacitados.

Cuando no se esté utilizando el paquete de baterías, manténgalo alejado de otros objetos metálicos como: sujetapapeles, monedas, llaves, clavos, tornillos u otros objetos metálicos pequeños que pueden hacer una conexión de un terminal con otro. El cortocircuito de los terminales de las baterías puede causar chispas, quemaduras o un incendio.

Mantenga las herramientas con cuidado. Conserve las herramientas de corte afiladas y limpias. Las herramientas mantenidas adecuadamente, con bordes de corte afilados, tienen menos probabilidades de atascarse y son más fáciles de controlar.

Compruebe la desalineación o el atasco de las piezas móviles, la ruptura de piezas y cualquier otra situación que pueda afectar el funcionamiento de las herramientas. Si la herramienta está dañada, haga que realicen un servicio de ajustes y reparaciones a la herramienta antes de usarla. Muchos accidentes son causados por herramientas mantenidas deficientemente.

Utilice únicamente accesorios que estén recomendados por el fabricante de su modelo. Los accesorios que pueden ser adecuados para una herramienta pueden volverse peligrosos cuando se utilizan en otra herramienta.

Servicio

El servicio de ajustes y reparaciones de una herramienta debe ser realizado únicamente por personal de reparaciones competente. El servicio o mantenimiento realizado por personal no competente podría ocasionar un peligro de que se produzcan lesiones.

Al realizar servicio de ajustes y reparaciones de una herramienta, utilice únicamente piezas de repuesto idénticas. Siga las instrucciones que aparecen en la sección Mantenimiento de este manual. El uso de piezas no autorizadas o el incumplimiento de las instrucciones de Mantenimiento puede ocasionar un peligro de que se produzcan sacudidas eléctricas o lesiones.

Normas de seguridad para cepillos sin cordón

Fije el material que se vaya a afeitarse. Nunca lo sostenga en la mano ni sobre las piernas. Si la pieza de trabajo es pequeña, debe fijarse adecuadamente para que las cuchillas del cepillo mecánico que giran no la levanten durante el movimiento del cepillo hacia delante. Un soporte inestable puede hacer que las cuchillas se atasquen, causando pérdida de control y lesiones.

Arranque siempre el cepillo mecánico antes de que la cuchilla entre en contacto con la pieza de trabajo y deje que la cuchilla alcance toda su velocidad. La herramienta puede vibrar o chirriar si la velocidad de la cuchilla es demasiado lenta al comienzo del corte y es posible que cause retroceso.

Compruebe si la pieza de trabajo tiene clavos. Si hay clavos, quítelos o clávelos hasta que estén bien por debajo de la superficie acabada que se desea obtener. Si las cuchillas del cepillo mecánico golpean objetos como clavos, pueden hacer que la herramienta experimente retroceso y el resultado puede ser lesiones personales graves.

Desconecte el paquete de baterías de la herramienta o ponga el interruptor en la posición fijada o de apagado antes de hacer cualquier ensamblaje, ajustes o cambiar accesorios. Dichas medidas preventivas de seguridad reducen el riesgo de arrancar la herramienta accidentalmente.

Después de cambiar las cuchillas, gire el cilindro de las cuchillas (tambor de corte) para asegurarse de que las cuchillas no estén golpeando ninguna parte de la carcasa de la cabeza de las cuchillas y de que los tornillos de fijación de las cuchillas estén apretados. Las cuchillas que giran podrían golpear la carcasa de la herramienta y dañar la herramienta, así como causar posibles lesiones.

Sujete siempre firmemente la herramienta con las

dos manos para tener un control máximo.

Nunca tire del cepillo mecánico hacia atrás sobre la pieza de trabajo. Podría producirse pérdida de control.

No ponga los dedos ni ningún objeto en el eyector de virutas ni recoja las virutas cortadas mientras la herramienta esté en marcha. El contacto con el tambor de las cuchillas causará lesiones.

Desconecte el paquete de baterías de la herramienta si es necesario quitar las virutas. Las cuchillas están ocultas de la vista y es posible que usted se corte si toca alguna de ellas.

Nunca deje el cepillo mecánico hasta que la cuchilla se haya detenido por completo. El contacto de la superficie con el tambor de las cuchillas cuando éste se está moviendo por inercia hasta detenerse puede hacer que el cepillo mecánico se desplace fuera de control.

⚠ ADVERTENCIA Cierta polvo generado por el lijado, aserrado, amolado y taladrado mecánicos, y por otras actividades de construcción, contiene agentes químicos que se sabe que causan cáncer, defectos de nacimiento u otros daños sobre la reproducción. Algunos ejemplos de estos agentes químicos son:

- Plomo de pinturas a base de plomo,
- Sílice cristalina de ladrillos y cemento y otros productos de mampostería, y
- Arsénico y cromo de madera tratada químicamente.

Su riesgo por causa de estas exposiciones varía, dependiendo de con cuánta frecuencia realice este tipo de trabajo. Para reducir su exposición a estos agentes químicos: trabaje en un área bien ventilada y trabaje con equipo de seguridad aprobado, como por ejemplo máscaras antipolvo que estén diseñadas especialmente para impedir mediante filtración el paso de partículas microscópicas.

Batería/cargador

Antes de utilizar el cargador de baterías, lea todas las instrucciones e indicaciones de precaución que se encuentran en (1) el cargador de baterías, (2) el paquete de baterías y (3) el producto que utiliza baterías.

Utilice solamente el cargador que acompañaba al el producto o un reemplazo directo según se indica en el catálogo o en este manual. No sustituirlo por ningún otro cargador. Utilice únicamente cargadores aprobados Bosch con su producto. Consulte Descripción funcional y especificaciones.

No desarme el cargador ni lo haga funcionar si ha recibido un golpe brusco, se ha caído o se ha dañado de cualquier modo. Cambie el cordón o los enchufes dañados inmediatamente. El reensamblaje incorrecto o los daños pueden ocasionar sacudidas eléctricas o incendio.

No recargue la batería en un entorno húmedo o mojado. No exponga el cargador a lluvia ni nieve. Si la caja de baterías está agrietada o dañada de algún otro modo, no la introduzca en el cargador. Se puede producir un cortocircuito de las baterías o un incendio.

Cargue solamente baterías recargables aprobadas Bosch. Consulte Descripción funcional y especificaciones. Otros tipos de baterías pueden reventar causando lesiones personales y daños.

Cargue el paquete de baterías a temperaturas superiores a +40 grados F (4 grados C) e inferiores a

+105 grados F (41 grados C). Guarde la herramienta y el paquete de baterías en lugares donde las temperaturas no superen 120 grados F (49 grados C). Esto es importante para evitar daños graves a los elementos de la batería.

Se puede producir un escape del líquido de las baterías bajo condiciones extremas de uso o de temperatura. Evite el contacto con la piel y los ojos. El líquido de la batería es cáustico y podría causar quemaduras químicas en los tejidos. Si el líquido entra en contacto con la piel, lávela rápidamente con agua y jabón y luego con jugo de limón o vinagre. Si el líquido entra en contacto con los ojos, enjuáguelos con agua durante un mínimo de 10 minutos y obtenga atención médica.

Ponga el cargador sobre superficies planas ininflamables y alejado de materiales inflamables cuando recargue el paquete de baterías. El cargador y el paquete de baterías se calientan durante el proceso de carga. Las alfombras y otras superficies termoaislantes bloquean la circulación adecuada de aire, lo cual puede causar sobrecalentamiento del cargador y del paquete de baterías. Si observa humo o que la carcasa se está derritiendo, desenchufe inmediatamente el cargador y no utilice el paquete de baterías ni el cargador.

El uso de un accesorio no recomendado ni vendido por Bosch puede constituir un peligro de incendio, sacudidas eléctricas o lesiones a las personas.

Cuidado de las baterías

⚠ ADVERTENCIA Cuando las baterías no están en la herramienta o en el cargador, manténgalas alejadas de objetos metálicos. Por ejemplo, para evitar que las terminales hagan cortocircuito, **NO** ponga las baterías en una caja de herramientas o en un bolsillo con clavos, tornillos, llaves, etc. Se pueden producir un incendio o lesiones.

⚠ ADVERTENCIA Para evitar incendios o lesiones cuando las baterías no estén en la herramienta o en el cargador, ponga siempre la tapa protectora en el extremo del paquete de baterías. La tapa protectora protege contra el cortocircuitado de los terminales.

NO ARROJE LAS BATERIAS AL FUEGO NI LAS EXPONGA AL CALOR INTENSO. Pueden explotar.

Eliminación de las baterías

⚠ ADVERTENCIA No intente desarmar la batería ni quitar ninguno de los componentes que sobresalen de las terminales de la batería. Se pueden producir lesiones o un incendio. Antes de tirarla, proteja las terminales que están al descubierto con cinta adhesiva aislante gruesa para prevenir cortocircuitos.

BATERÍAS DE NIQUEL-CADMIO

Si este producto está equipado con una batería de níquel-cadmio, dicha batería debe recogerse, reciclarse o eliminarse de manera segura para el medio ambiente.



“El sello de reciclaje de baterías RBRC certificado por la EPA que se encuentra en la batería de níquel-cadmio (Ni-Cd) indica que Robert Bosch Tool Corporation está participando voluntariamente en un programa de la industria para recoger y reciclar estas baterías al final de su vida útil,

cuando se retiran de servicio en los Estados Unidos y Canadá. El programa RBRC proporciona una alternativa conveniente a tirar las baterías de Ni-Cd usadas a la basura o a la corriente municipal de aguas residuales, lo cual quizás sea ilegal en su área.

Tenga la amabilidad de llamar al 1-800-8-BATTERY para obtener información acerca de las prohibiciones/restricciones sobre el reciclaje y la eliminación de baterías de Ni-Cd en su lugar o devuelva las baterías a un Centro de servicio Skil/Bosch/Dremel para reciclarlas. La participación de Robert Bosch Tool Corporation en este programa es parte de nuestro compromiso hacia preservar nuestro medio ambiente y conservar nuestros recursos naturales.”

BATERÍAS DE NIQUEL-HIDRURO METALICO

Si este producto está equipado con una batería de níquel-hidruro metálico, dicha batería debe eliminarse en un curso de agua municipal para residuos sólidos.

Símbolos

IMPORTANTE: Es posible que algunos de los símbolos siguientes se usen en su herramienta. Por favor, estúdielos y aprenda su significado. La interpretación adecuada de estos símbolos le permitirá utilizar la herramienta mejor y con más seguridad.

Símbolo	Nombre	Designación/explicación
V	Volt	Tensión (potencial)
A	Ampere	Corriente
Hz	Hertz	Frecuencia (ciclos por segundo)
W	Watt	Potencia
kg	Kilogramo	Peso
min	Minuto	Tiempo
s	Segundo	Tiempo
∅	Diámetro	Tamaño de las brocas taladradoras, muelas, etc
n_0	Velocidad sin carga	Velocidad rotacional sin carga
.../min	Revoluciones o alternación por minuto	Revoluciones, golpes, velocidad de superficie, órbitas, etc., por minuto
0	Posición "off" (apagado)	Velocidad cero, par motor cero...
1, 2, 3, ... I, II, III,	Graduaciones del selector	Graduaciones de velocidad, par motor o posición. Un número más alto significa mayor velocidad
	Selector infinitamente variable con apagado	La velocidad aumenta desde la graduación de 0
	Flecha	Acción en la dirección de la flecha
	Corriente alterna	Tipo o una característica de corriente
	Corriente continua	Tipo o una característica de corriente
	Corriente alterna o continua	Tipo o una característica de corriente
	Construcción de clase II	Designa las herramientas de construcción con aislamiento doble.
	Terminal de toma de tierra	Terminal de conexión a tierra
	Símbolo de advertencia	Alerta al usuario sobre mensajes de advertencia
	Sello RBRC™ de Ni-Cd	Designa el programa de reciclaje de baterías de Ni-Cd



Este símbolo indica que esta herramienta está catalogada por Underwriters Laboratories.



Este símbolo indica que Underwriters Laboratories ha catalogado esta herramienta indicando que cumple las normas canadienses.



Este símbolo indica que esta herramienta cumple con la norma mexicana oficial (NOM).



Este símbolo indica que esta herramienta está catalogada por la Canadian Standards Association.



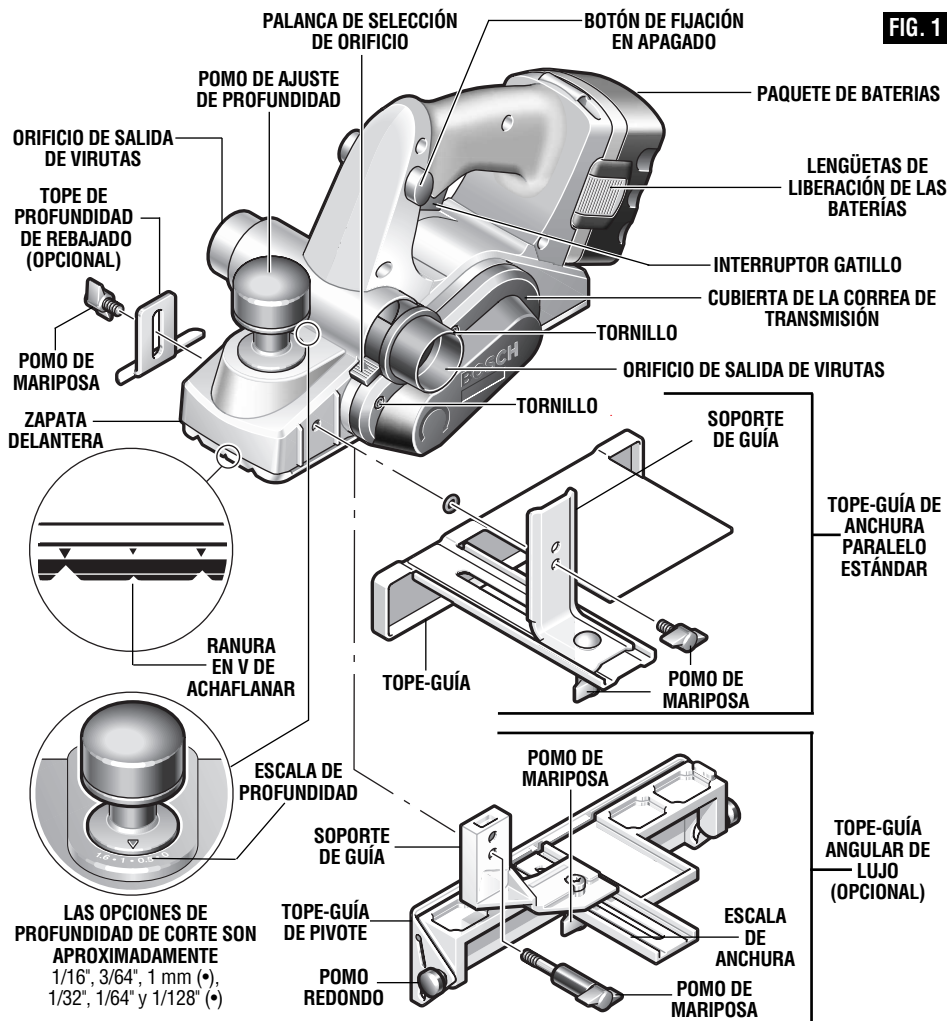
Este símbolo indica que esta herramienta está catalogada por Underwriters Laboratories y que Underwriters Laboratories la ha catalogado según las normas canadienses.

Descripción funcional y especificaciones

⚠ ADVERTENCIA Desconecte el paquete de baterías de la herramienta o ponga el interruptor en la posición fijada o de apagado antes de hacer cualquier ensamblaje, ajustes o cambiar accesorios. Dichas medidas preventivas de seguridad reducen el riesgo de arrancar la herramienta accidentalmente.

Cepillo sin cordón

FIG. 1



Número de modelo	Tensión nominal	Velocidad sin carga	Tiempo de carga	Número de cargador	Tensión nominal	Paquete de baterías
53514	14.4 V	n ₀ 13,000/min	1 hr.	BC001-6 & BC016	120 V ~ 60 Hz	BAT040 y BAT038
53518	18 V	n ₀ 13,000/min	1 hr.	BC003, 4, 6, & BC016	120 V ~ 60 Hz	BAT026 y BAT025

Capacidades máximas

Profundidad de acepillad	0 - 1/16" (0 - 1,6 mm)
Profundidad de rebajado	0 - 5/16" (0 - 8 mm)
Anchura de corte	3-1/4" (82 mm)

El cargador BC006 requiere alimentación de 12 V CC

NOTA: UTILICE ÚNICAMENTE LOS CARGADORES INDICADOS ANTERIORMENTE

Ensamblaje

EXTRACCIÓN DE VIRUTAS

El cepillo mecánico viene con dos orificios de salida de virutas, que pueden utilizarse con una bolsa para virutas o con una aspiradora de taller y un conector de aspiradora (Fig. 2) para mantener más limpio el entorno de trabajo. La bolsa para virutas o el conector de aspiradora pueden acoplarse a cualquiera de los extremos del orificio de salida.

Al mover la palanca selectora de orificio hasta la posición 1 (hacia la parte delantera de la herramienta), las virutas se descargan hacia la izquierda, mientras que al moverla hasta la posición 2 (hacia la parte trasera de la herramienta), las virutas se descargan hacia la derecha (Fig. 1).

CUCHILLAS DEL CEPILLO MECÁNICO

⚠ ADVERTENCIA Las cuchillas del cepillo mecánico están afiladas y son frágiles, y deben manejarse con cuidado para evitar que el usuario sufra lesiones o que las cuchillas se dañen.

Las cuchillas del cepillo mecánico tienen dos filos y pueden invertirse cuando uno de los filos se desafilé o astille.

No intente afilar ni utilizar cuchillas usadas reafiladas de ninguna clase. Utilice únicamente cuchillas diseñadas para uso con este modelo, porque otras cuchillas causarán vibración y disminución del rendimiento, y es posible que no se sujeten firmemente en el portacuchillas.

LLAVE PARA CUCHILLAS Y AREA PARA GUARDAR

La herramienta está equipada con una llave para cuchillas que se encuentra convenientemente ubicada en la base del mango, donde siempre está a mano y no es probable que se pierda ni que se deje fuera de su sitio (fig. 3).

INVERSIÓN O CAMBIO DE LAS CUCHILLAS

Para invertir o cambiar la cuchilla, afloje los tornillos de fijación utilizando la llave para cuchillas. Con los tornillos aflojados, deslice longitudinalmente el portacuchilla hasta sacarlo del tambor de corte, teniendo cuidado de mantener los dedos alejados de los filos afilados de la cuchilla (Fig. 4).

Puede utilizarse un pedazo de madera para este propósito. Si la cuchilla tiene goma y es difícil quitarla, puede limpiar la cuchilla con alcoholes minerales, diluyente de laca o alcohol.

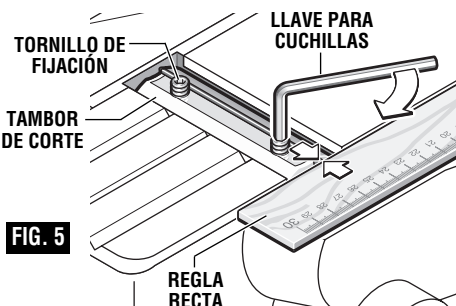
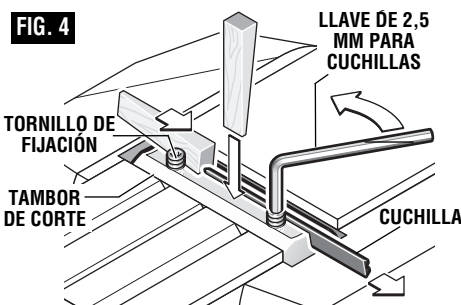
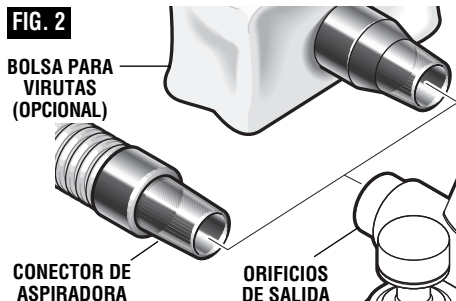
Limpie todas las superficies antes de instalar la cuchilla nueva, ya que esto garantizará un ajuste preciso de la cuchilla y un rendimiento adecuado de la herramienta.

ALINEACIÓN DE LAS CUCHILLAS

Para asegurarse de lograr un corte uniforme, es importante que la cuchilla se ajuste de manera que esté alineada con el borde exterior de las zapatas delantera y trasera. Esta alineación puede realizarse de la manera siguiente: coloque una regla recta o un pedazo de madera a lo largo de la superficie exterior de la zapata delantera y de la zapata trasera, y luego deslice la cuchilla del cepillo mecánico hasta que justo haga contacto con la regla recta o el pedazo de madera (Fig. 5).

Asegúrese de que la cuchilla se asiente correctamente en la ranura del portacuchilla que está en el tambor de corte.

Seguidamente, podrá apretar los tornillos de fijación que sujetan la cuchilla y el cepillo mecánico estará listo para utilizarse.



Instrucciones de funcionamiento

INTERRUPTOR GATILLO DE ENCENDIDO Y APAGADO

⚠ ADVERTENCIA Sostenga la herramienta con las dos manos mientras la arranca, ya que el par del motor puede hacer que la herramienta se tuerza.

Para encender la herramienta, oprima el botón de "Fijación en apagado" y apriete el interruptor gatillo. Para apagar la herramienta, suelte el interruptor gatillo, que está accionado por resorte, y regresará automáticamente a la posición de apagado.

Para prolongar la duración del interruptor, no lo ponga en las posiciones de encendido y apagado mientras la herramienta y el tambor se estén sosteniendo contra una pieza de trabajo.

FRENO

Cuando se suelta el gatillo, éste activa el freno eléctrico para detener la hoja rápidamente. Este dispositivo es especialmente útil cuando se hacen cortes repetitivos.

ACCIÓN DE ACEPILLADO

Compruebe si la pieza de trabajo está sujeta firmemente en posición correcta sobre la superficie de trabajo y, ubicándose de manera cómoda, sostenga firmemente el cepillo mecánico con las dos manos. Con el cepillo mecánico completamente ajustado, coloque la zapata delantera sobre la pieza de

trabajo (asegúrese de que el tambor de corte no esté en contacto con la pieza de trabajo) y arranque el cepillo mecánico de la manera que se describió anteriormente. Ejerciendo presión sobre la zapata delantera y con el tope-guía ubicado contra el lado de la pieza de trabajo (para controlar la anchura o el ángulo), haga avanzar firmemente el cepillo mecánico hasta que la zapata trasera se acople completamente en la pieza de trabajo. Seguidamente, transfiera presión gradualmente hacia la zapata trasera y siga acepillando hasta el final del corte. Haga avanzar el cepillo mecánico a una velocidad uniforme y razonable, que no someta a un esfuerzo excesivo ni al motor ni a las cuchillas (no tire del cepillo mecánico hacia atrás sobre la superficie que ya haya cortado). Utilice cortes progresivos hasta que esté cerca de la profundidad deseada y entonces cambie el ajuste a un corte más ligero para que con la pasada final se obtenga un buen acabado de la superficie.

⚠ PRECAUCIÓN El motor puede detenerse si se utiliza incorrectamente o se sobrecarga. Reduzca la presión (la velocidad de avance) o la profundidad de corte para evitar posibles daños a la herramienta si el motor funciona con dificultad.

AJUSTE DE LA PROFUNDIDAD DE CORTE

La profundidad de corte adecuada debe determinarse de acuerdo con la dureza, gomosidad o contenido de humedad del material que se vaya a cortar, así como con la velocidad de avance, y es principalmente una cuestión de experiencia. Comience con un corte ligero y aumente el ajuste de profundidad si el cepillo mecánico se mueve libremente por la pieza de trabajo sin carga excesiva en el motor. No cambie la profundidad de corte mientras esté acepillando.

La profundidad de corte se determina por la diferencia de altura entre la zapata delantera ajustable y la zapata trasera fija del cepillo mecánico. A medida que la zapata delantera se ajusta, se retrae y deja al descubierto la cuchilla, que puede entonces quitar la cantidad deseada de material de la pieza de trabajo. La profundidad de corte está graduada de 0 a 1/16 de pulgada y el "0" indica que la cuchilla está totalmente retraída.

Ajuste de la profundidad de corte: Gire el pomo de ajuste de profundidad hasta que el indicador se acople con el retén que indica la profundidad de corte deseada en la escala de profundidad (Fig. 1).

El cepillo mecánico puede ajustarse para cortar a cualquier profundidad desde 0 hasta 1/16 de pulgada.

TOPE-GUÍA DE ANCHURA PARALELO ESTÁNDAR

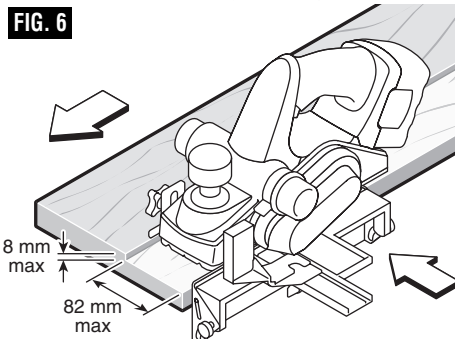
El tope-guía de anchura puede utilizarse para cortar diversas anchuras deseadas (Fig. 1).

Instalación del tope-guía: Coloque el pomo de mariposa a través del agujero apropiado del soporte de guía y enrósquelo en la carcasa. Apriete firmemente el pomo de mariposa.

Ajuste de la anchura de corte: Afloje el pomo de mariposa y deslice el tope-guía a lo largo del soporte de guía hasta la posición deseada. Apriete firmemente el pomo de mariposa. Asegúrese de que la arandela plana (suministrada) esté ajustada entre la parte inferior del tope-guía y el pomo de mariposa, o es posible que el tope-guía resbale.

TOPE-GUÍA ANGULAR DE LUJO

El tope-guía angular de lujo opcional (Fig. 6) puede utilizarse para cortar diversas anchuras deseadas, con la capacidad adicional de guiar el cepillo mecánico en



cualquier ángulo hasta 45 grados para permitir el achaflanado de bordes (Fig. 7).

Instalación del tope-guía angular: Coloque el pomo de mariposa a través del agujero apropiado del soporte de guía y enrósquelo en la carcasa. Apriete firmemente el pomo de mariposa (Fig. 1).

Ajuste de la anchura de corte: Afloje el pomo de mariposa y, utilizando la escala de anchura, deslice el tope-guía a lo largo del soporte de guía hasta la posición deseada. Apriete firmemente el pomo de mariposa (Fig. 1).

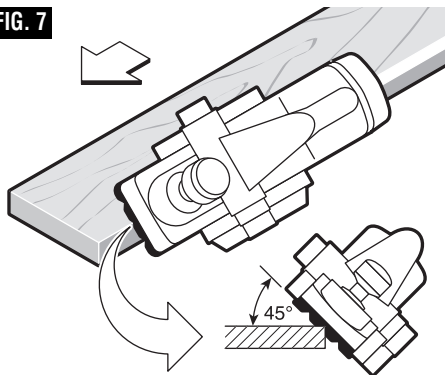
Ajuste del ángulo de corte: Afloje los pomos redondos y pivote el tope-guía hasta la posición deseada. Apriete firmemente los pomos redondos (Fig. 1).

Observe que la zapata delantera ajustable contiene una ranura en V de achaflanar, que seguirá la esquina de una pieza de trabajo para facilitar el manejo cuando se utilice el tope-guía angular de lujo/de anchura (Fig. 7).

TOPE DE PROFUNDIDAD DE REBAJADO

El accesorio de tope de profundidad de rebajado opcional (Fig. 1) permite al usuario ajustar cualquier profundidad de rebajado desde 0 hasta 5/16 de pulgada. Para obtener resultados óptimos, es importante que la cuchilla esté alineada adecuadamente (consulte "ALINEACIÓN DE LAS CUCHILLAS"). La anchura de rebajado se controla

FIG. 7



mediante el tope-guía de anchura. La anchura máxima de corte es de 3-1/4" y la profundidad final se logra realizando cortes repetitivos hasta que la guía de profundidad de rebajado entra en contacto con la pieza de trabajo. La profundidad máxima de rebajado es de 5/16".

Ajuste de la profundidad de rebajado: Afloje el pomo de mariposa y, utilizando la escala de profundidad que está en el tope de profundidad de rebajado, ajuste la profundidad de rebajado deseada. Apriete firmemente el pomo de mariposa.

CORREA DE TRANSMISIÓN

La correa de transmisión es una pieza que requiere mantenimiento normal y debe inspeccionarse periódicamente para comprobar si está desgastada. Si la correa de transmisión muestra señales de estar secándose, agrietándose o rasgándose, debe cambiarse. Si la correa de transmisión no describe su trayectoria adecuadamente o si se sale de las poleas, debe cambiarse.

Instalación de una correa de transmisión nueva: Afloje los tornillos y quita la cubierta de la correa de

transmisión (Fig. 8). Corte y quite la correa de transmisión dañada. Antes de instalar la correa de transmisión nueva, limpie a fondo las dos poleas. Coloque primero la correa de transmisión nueva en la polea motriz y luego haga girar dicha polea en el sentido de las agujas del reloj a la vez que empuja la correa sobre la polea impulsada. Vuelva a instalar la cubierta de la correa de transmisión y apriete firmemente los tornillos (Fig. 9).

FIG. 8

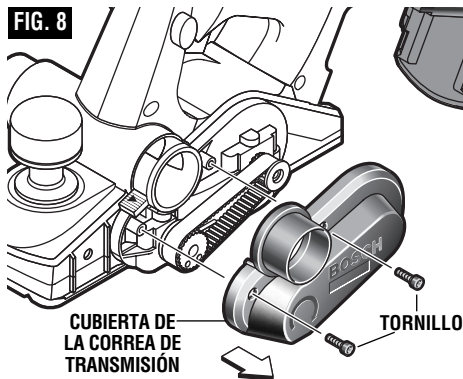
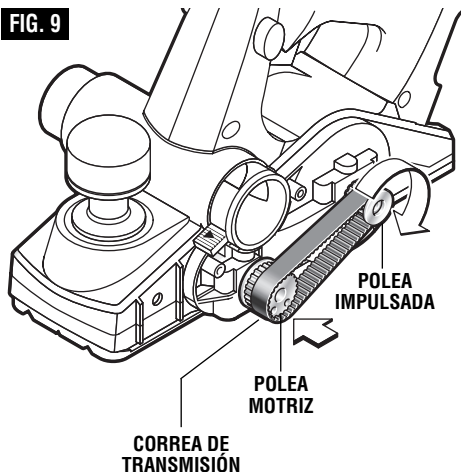


FIG. 9



LIBERACION E INSERCIÓN DEL PAQUETE DE BATERÍAS

Saque el paquete de baterías de la herramienta presionando sobre ambos lados de las lengüetas de liberación de las baterías y tire hacia abajo. Antes de introducir el paquete de baterías, quite la tapa

protectora de dicho paquete de baterías. Para introducir la batería, alinee la batería e introduzca el paquete de baterías en la herramienta hasta que quede fijo en su posición. No lo fuerce.

CARGA DEL PAQUETE DE BATERÍAS (CARGADOR DE 1 HORA)

Enchufe el cordón del cargador en un tomacorriente eléctrico estándar. Antes de introducir el paquete de baterías, quite la tapa protectora y luego introduzca el paquete de baterías en el cargador (Fig. 10).

El indicador verde del cargador comenzará a "PARPADEAR". Esto indica que la batería está recibiendo una carga rápida. La carga rápida se detendrá automáticamente cuando el paquete de baterías esté completamente cargado.

Cuando la luz indicadora deje de "PARPADEAR" (y pase a ser una luz verde constante), la carga rápida se habrá completado.

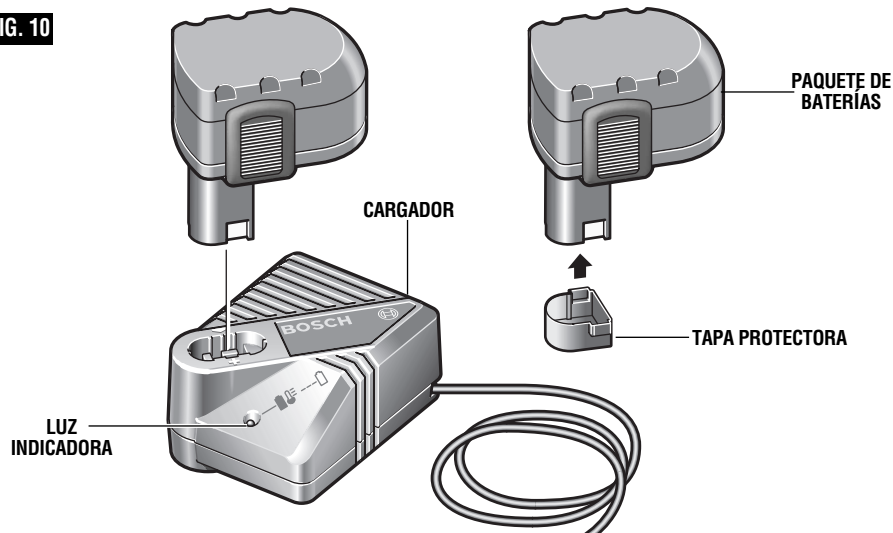
Cuando comience el proceso de carga del paquete de baterías, una luz verde constante también podría significar que el paquete de baterías está demasiado caliente o demasiado frío.

El propósito de la luz es indicar que el paquete de baterías se está cargando rápidamente. No indica el punto exacto de carga completa. La luz dejará de parpadear en menos mas tiempo hora si el paquete de baterías no estaba completamente descargado.

Cuando el paquete de baterías esté completamente cargado, desenchufe el cargador (a menos que vaya a cargar otro paquete de baterías) y deslice el paquete de baterías de vuelta en el interior del mango de la herramienta.

Para evitar incendios o lesiones cuando las baterías no estén en la herramienta o en el cargador, ponga siempre la tapa protectora en el extremo del paquete de baterías. La tapa protectora protege contra el cortocircuitado de los terminales.

FIG. 10



NOTAS IMPORTANTES PARA CARGAR

1. El paquete de baterías acepta únicamente alrededor del 80 por ciento de su capacidad máxima en los primeros ciclos de carga. Sin embargo, después de los primeros ciclos de carga, la batería se cargará hasta su capacidad máxima.

2. El cargador fue diseñado para cargar la batería rápidamente sólo cuando la temperatura de la batería está entre 4°C (40°F) y 41°C (105°F).

3. Un descenso considerable en el tiempo de funcionamiento por carga puede significar que el paquete de baterías se está acercando al final de su vida y que debe ser sustituido.

4. Si espera que haya largos períodos (es decir, un mes o más) en los que no se use la herramienta, lo mejor es hacerla funcionar hasta que esté completamente descargada antes de guardar el

paquete de baterías. Después de un largo período de almacenamiento, la capacidad después de la primera recarga será más baja. La capacidad normal se restaurará en dos o tres ciclos de carga/descarga. Recuerde desenchufar el cargador durante el período de almacenamiento.

5. Si la batería no carga adecuadamente:

a. Compruebe que hay tensión en el tomacorriente enchufando algún otro dispositivo eléctrico.

b. Compruebe si el tomacorriente está conectado a un interruptor de luz que corta el suministro de energía cuando se apagan las luces.

c. Compruebe si hay suciedad en las terminales del paquete de baterías. Límpielas con un pedazo de algodón y alcohol si es necesario.

d. Si usted sigue sin obtener una carga adecuada, lleve o envíe la herramienta, el paquete de baterías y el cargador al Centro de servicio Bosch local. Busque bajo "Herramientas eléctricas" en las páginas amarillas para obtener nombres y direcciones.

Nota: La utilización de cargadores o paquetes de batería no vendidos por Bosch anulará la garantía.

Mantenimiento

Servicio

⚠ ADVERTENCIA **NO HAY PIEZAS EN EL INTERIOR QUE PUEDAN SER AJUSTADAS O REPARADAS POR EL USUARIO. El mantenimiento preventivo realizado por personal no autorizado puede dar lugar a la colocación incorrecta de cables y componentes internos que podría constituir un peligro serio.** Recomendamos que todo el servicio de las herramientas sea realizado en un Centro de servicio de fábrica Bosch o en una Estación de servicio Bosch autorizada. **TECNICOS DE REPARACIONES:** Desconecten la herramienta y/o el cargador de la fuente de energía antes de realizar servicio de ajustes y reparaciones.

BATERIAS

Esté alerta a los paquetes de baterías que estén aproximándose al final de su vida útil. Si observa una disminución del rendimiento de la herramienta o un tiempo de funcionamiento significativamente más corto entre cargas, entonces ha llegado el momento de cambiar el paquete de baterías. Si no se hace esto, el resultado puede ser que la herramienta funcione incorrectamente o que el cargador se dañe.

Cuando la batería se almacene a largo plazo, debe estar en estado de descarga. Los paquetes de baterías duran más y se recargan mejor cuando se almacenan descargados. Recuerde recargar completamente los paquetes de baterías antes de utilizarlos después de un almacenamiento prolongado.

LUBRICACION DE LAS HERRAMIENTAS

Su herramienta Bosch ha sido lubricada adecuadamente y está lista para la utilización.

MOTORES "CORRIENTE DIRECTA"

El motor de la herramienta ha sido diseñado para muchas horas de servicio fiable. Para mantener un rendimiento óptimo del motor, recomendamos que éste sea examinado cada seis meses. Sólo se debe usar un motor de repuesto Bosch genuino diseñado especialmente para la herramienta.

Limpieza

⚠ ADVERTENCIA **Para evitar accidentes, desconecte siempre la herramienta y/o el cargador de la fuente de energía antes de la limpieza.** La herramienta se puede limpiar más eficazmente con aire comprimido seco. **Use gafas de seguridad siempre que limpie herramientas con aire comprimido.**

Las aberturas de ventilación y las palancas de interruptor deben mantenerse limpias y libres de materias extrañas. No intente limpiar introduciendo objetos puntiagudos a través de las aberturas.

⚠ PRECAUCION **Ciertos agentes de limpieza y disolventes dañan las piezas de plástico.** Algunos de estos son: gasolina, tetracloruro de carbono, disolventes de limpieza clorados, amoníaco y detergentes domésticos que contienen amoníaco.

Accesorios

⚠ ADVERTENCIA Si es necesario un cordón de extensión, se debe usar un cordón con conductores de tamaño adecuado que sea capaz de transportar la corriente necesaria para la herramienta. Esto evitará caídas de tensión excesivas, pérdida de potencia o recalentamiento. Las herramientas conectadas a tierra deben usar cordones de extensión de 3 hilos que tengan enchufes de 3 terminales y receptáculos para 3 terminales.

NOTA: Cuanto más pequeño es el número de calibre, más grueso es el cordón.

TAMAÑOS RECOMENDADOS DE CORDONES DE EXTENSION HERRAMIENTAS DE 120 V CORRIENTE ALTERNA

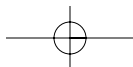
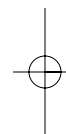
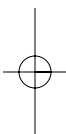
Capacidad nominal en amperes de la herramienta	Tamaño del cordón en A.W.G.				Tamaños del cable en mm ²			
	Longitud del cordón en pies				Longitud del cordón en metros			
	25	50	100	150	15	30	60	120
3-6	18	16	16	14	0,75	0,75	1,5	2,5
6-8	18	16	14	12	0,75	1,0	2,5	4,0
8-10	18	16	14	12	0,75	1,0	2,5	4,0
10-12	16	16	14	12	1,0	2,5	4,0	—
12-16	14	12	—	—	—	—	—	—

- * Tope-guía de anchura estándar
- ** Tope-guía angular de lujo
- ** Tope de profundidad de rebajado
- * Llave de 2.5 mm para cuchillas
- * Hojas reversibles de carburo (2)
- * Conector de aspiradora

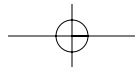
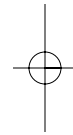
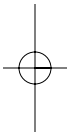
- ** Manguera de aspiración
- ** Bolsa para virutas

(* = equipo estándar)
(** = accesorios opcionales)

Notes:



Remarques :
Notas:



LIMITED WARRANTY OF BOSCH PORTABLE AND BENCHTOP POWER TOOLS

Robert Bosch Tool Corporation ("Seller") warrants to the original purchaser only, that all BOSCH portable and benchtop power tools will be free from defects in material or workmanship for a period of one year from date of purchase. SELLER'S SOLE OBLIGATION AND YOUR EXCLUSIVE REMEDY under this Limited Warranty and, to the extent permitted by law, any warranty or condition implied by law, shall be the repair or replacement of parts, without charge, which are defective in material or workmanship and which have not been misused, carelessly handled, or misrepaired by persons other than Seller or Authorized Service Station. To make a claim under this Limited Warranty, you must return the complete portable or benchtop power tool product, transportation prepaid, to any BOSCH Factory Service Center or Authorized Service Station. For Authorized BOSCH Power Tool Service Stations, please refer to your phone directory.

THIS LIMITED WARRANTY DOES NOT APPLY TO ACCESSORY ITEMS SUCH AS CIRCULAR SAW BLADES, DRILL BITS, ROUTER BITS, JIGSAW BLADES, SANDING BELTS, GRINDING WHEELS AND OTHER RELATED ITEMS.

ANY IMPLIED WARRANTIES SHALL BE LIMITED IN DURATION TO ONE YEAR FROM DATE OF PURCHASE. SOME STATES IN THE U.S., SOME CANADIAN PROVINCES DO NOT ALLOW LIMITATIONS ON HOW LONG AN IMPLIED WARRANTY LASTS, SO THE ABOVE LIMITATION MAY NOT APPLY TO YOU.

IN NO EVENT SHALL SELLER BE LIABLE FOR ANY INCIDENTAL OR CONSEQUENTIAL DAMAGES (INCLUDING BUT NOT LIMITED TO LIABILITY FOR LOSS OF PROFITS) ARISING FROM THE SALE OR USE OF THIS PRODUCT. SOME STATES IN THE U.S. AND SOME CANADIAN PROVINCES DO NOT ALLOW THE EXCLUSION OR LIMITATION OF INCIDENTAL OR CONSEQUENTIAL DAMAGES, SO THE ABOVE LIMITATION OR EXCLUSION MAY NOT APPLY TO YOU.

THIS LIMITED WARRANTY GIVES YOU SPECIFIC LEGAL RIGHTS, AND YOU MAY ALSO HAVE OTHER RIGHTS WHICH VARY FROM STATE TO STATE IN THE U.S., PROVINCE TO PROVINCE IN CANADA AND FROM COUNTRY TO COUNTRY.

THIS LIMITED WARRANTY APPLIES ONLY TO PORTABLE AND BENCHTOP ELECTRIC TOOLS SOLD WITHIN THE UNITED STATES OF AMERICA, CANADA AND THE COMMONWEALTH OF PUERTO RICO. FOR WARRANTY COVERAGE WITHIN OTHER COUNTRIES, CONTACT YOUR LOCAL BOSCH DEALER OR IMPORTER.

GARANTIE LIMITÉE DES OUTILS ÉLECTRIQUES PORTATIFS ET D'ÉTABLI BOSCH

Robert Bosch Tool Corporation (le « vendeur ») garantit à l'acheteur initial seulement que tous les outils électriques portatifs et d'établi BOSCH seront exempts de vices de matériaux ou d'exécution pendant une période d'un an depuis la date d'achat. LA SEULE OBLIGATION DU VENDEUR ET LE SEUL RECOURS DE L'ACHETEUR sous la présente garantie limitée, et en autant que la loi le permette sous toute garantie ou condition implicite qui en découlerait, sera l'obligation de remplacer ou réparer gratuitement les pièces défectueuses matériellement ou comme fabrication, pourvu que lesdites défectosités ne soient pas attribuables à un usage abusif ou à quelque réparation bricolée par quelqu'un d'autre que le vendeur ou le personnel d'une station-service agréée. Pour présenter une réclamation en vertu de cette garantie limitée, vous devez renvoyer l'outil électrique portatif ou d'établi complet, port payé, à tout centre de service agréé ou centre de service usine. Veuillez consulter votre annuaire téléphonique pour les adresses.

LA PRÉSENTE GARANTIE NE S'APPLIQUE PAS AUX ACCESSOIRES TELS QUE LAMES DE SCIES CIRCULAIRES, MÈCHES DE PERCEUSES, FERS DE TOUPIES, LAMES DE SCIES SAUTEUSES, COURROIES DE PONÇAGE, MEULES ET AUTRES ARTICLES DU GENRE.

TOUTE GARANTIE IMPLICITE SERA LIMITÉE COMME DURÉE À UN AN À COMPTER DE LA DATE D'ACHAT. CERTAINS ÉTATS AMÉRICAINS, CERTAINES PROVINCES CANADIENNES N'ADMETTANT PAS LE PRINCIPE DE LA LIMITATION DE LA DURÉE DES GARANTIES IMPLICITES, IL EST POSSIBLE QUE LES LIMITATIONS CI-DESSUS NE S'APPLIQUENT PAS À VOTRE CAS.

EN AUCUN CAS LE VENDEUR NE SAURAIT ÊTRE TENU POUR RESPONSABLE DES INCIDENTS OU DOMMAGES INDIRECTS (INCLUANT, MAIS NE SE LIMITANT PAS AUX PERTES DE PROFITS) CONSÉQUENTS À LA VENTE OU L'USAGE DE CE PRODUIT. CERTAINS ÉTATS AMÉRICAINS ET CERTAINES PROVINCES CANADIENNES N'ADMETTANT PAS LE PRINCIPE DE LA LIMITATION NI L'EXCLUSION DES DOMMAGES INDIRECTS ET CONSÉQUENTS, IL EST POSSIBLE QUE LES LIMITATIONS CI-DESSUS NE S'APPLIQUENT PAS À VOTRE CAS.

LA PRÉSENTE GARANTIE VOUS ACCORDE DES DROITS BIEN DÉTERMINÉS, Y COMPRIS POSSIBLEMENT CERTAINS DROITS VARIABLES DANS LES DIFFÉRENTS ÉTATS AMÉRICAINS, PROVINCES CANADIENNES.

CETTE GARANTIE LIMITÉE NE S'APPLIQUE QU'AUX OUTILS ÉLECTRIQUES PORTATIFS ET D'ÉTABLI VENDUS AUX ÉTATS-UNIS D'AMÉRIQUE, AU CANADA ET AU COMMONWEALTH DE PORTO RICO. POUR COUVERTURE DE GARANTIE DANS LES AUTRES PAYS, CONTACTEZ VOTRE IMPORTATEUR OU REVENDEUR BOSCH LOCAL.

GARANTIA LIMITADA PARA HERRAMIENTAS MECANICAS PORTATILES Y PARA TABLERO DE BANCO BOSCH

Robert Bosch Tool Corporation ("el Vendedor") garantiza, únicamente al comprador original, que todas las herramientas mecánicas portátiles y para tablero de banco BOSCH estarán libres de defectos de material o de fabricación durante un periodo de un año a partir de la fecha de compra. LA ÚNICA OBLIGACION DEL VENDEADOR Y EL RECURSO EXCLUSIVO QUE USTED TIENE bajo esta Garantía Limitada y, hasta donde la ley lo permita, bajo cualquier garantía o condición implícita por ley, consistirá en la reparación o sustitución sin costo de las piezas que presenten defectos de material o de fabricación y que no hayan sido utilizadas incorrectamente, manejadas descuidadamente o reparadas incorrectamente por personas que no sean el Vendedor o una Estación de servicio autorizada. Para efectuar una reclamación bajo esta Garantía Limitada, usted debe devolver el producto, que consiste en la herramienta mecánica portátil o para tablero de banco completa, con el transporte pagado, a cualquier Centro de servicio de fábrica o Estación de servicio autorizada. Para Estaciones de servicio autorizadas de herramientas mecánicas BOSCH, por favor, consulte el directorio telefónico.

ESTA GARANTIA LIMITADA NO SE APLICA A ARTICULOS ACCESORIOS TALES COMO HOJAS PARA SIERRAS CIRCULARES, BROCAS PARA TALADROS, BROCAS PARA FRESADORAS, HOJAS PARA SIERRAS DE VAIVEN, CORREAS PARA LIJAR, RUEDAS DE AMOLAR Y OTROS ARTICULOS RELACIONADOS.

TODAS LAS GARANTIAS IMPLICITAS TENDRAN UNA DURACION LIMITADA A UN AÑO A PARTIR DE LA FECHA DE COMPRA. ALGUNOS ESTADOS DE LOS EE.UU., ALGUNAS PROVINCIAS CANADIENSES NO PERMITEN LIMITACIONES EN CUANTO A LA DURACION DE UNA GARANTIA IMPLICITA. POR LO QUE ES POSIBLE QUE LA LIMITACION ANTERIOR NO SEA APLICABLE EN EL CASO DE USTED.

EL VENDEADOR NO SERA RESPONSABLE EN NINGUN CASO DE NINGUN DAÑO INCIDENTAL O EMERGENTE (INCLUYENDO PERO NO LIMITADO A RESPONSABILIDAD POR PERDIDA DE BENEFICIOS) QUE SE PRODUZCA COMO CONSECUENCIA DE LA VENTA O UTILIZACION DE ESTE PRODUCTO. ALGUNOS ESTADOS DE LOS EE.UU. Y ALGUNAS PROVINCIAS CANADIENSES NO PERMITEN LA EXCLUSION O LIMITACION DE LOS DAÑOS INCIDENTALES O EMERGENTES, POR LO QUE ES POSIBLE QUE LA LIMITACION O EXCLUSION ANTERIOR NO SEA APLICABLE EN EL CASO DE USTED.

ESTA GARANTIA LIMITADA LE CONFIERE A USTED DERECHOS LEGALES ESPECIFICOS Y ES POSIBLE QUE USTED TAMBIEN TENGA OTROS DERECHOS QUE VARIAN DE ESTADO A ESTADO EN LOS EE.UU., DE PROVINCIA A PROVINCIA EN CANADA.

ESTA GARANTIA LIMITADA SE APLICA SOLAMENTE A HERRAMIENTAS ELECTRICAS PORTATILES Y PARA TABLERO DE BANCO VENDIDAS EN LOS ESTADOS UNIDOS DE AMERICA, CANADA Y EL ESTADO LIBRE ASOCIADO DE PUERTO RICO. PARA COBERTURA DE GARANTIA EN OTROS PAISES, PONGASE EN CONTACTO CON SU DISTRIBUIDOR O IMPORTADOR LOCAL DE BOSCH.

© Robert Bosch Tool Corporation 1800 W. Central Road Mt. Prospect, IL 60056 -2230

Exportado por: Robert Bosch Tool Corporation Mt. Prospect, IL 60056 -2230, E.U.A.

Importado en México por: Robert Bosch, S.A. de C.V., Calle Robert Bosch No. 405, Zona Industrial, Toluca, Edo. de México, C.P. 50070, Tel. (722) 2792300

Free Manuals Download Website

<http://myh66.com>

<http://usermanuals.us>

<http://www.somanuals.com>

<http://www.4manuals.cc>

<http://www.manual-lib.com>

<http://www.404manual.com>

<http://www.luxmanual.com>

<http://aubethermostatmanual.com>

Golf course search by state

<http://golfingnear.com>

Email search by domain

<http://emailbydomain.com>

Auto manuals search

<http://auto.somanuals.com>

TV manuals search

<http://tv.somanuals.com>