

**IMPORTANT:**  
**Read Before Using**

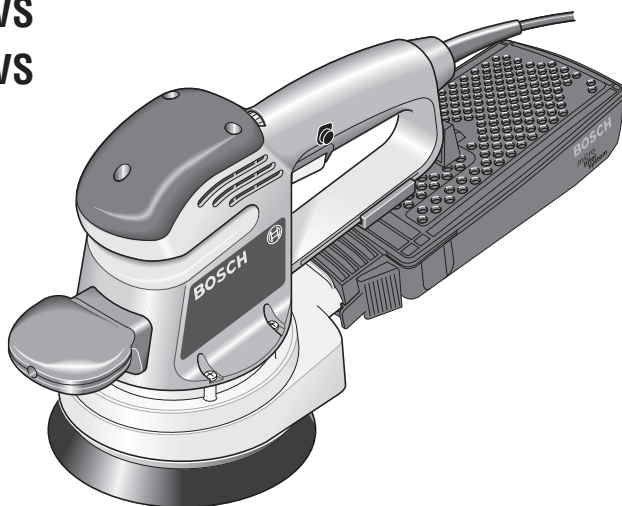
**IMPORTANT :**  
**Lire avant usage**

**IMPORTANTE:**  
**Leer antes de usar**



**Operating/Safety Instructions**  
**Consignes de fonctionnement/sécurité**  
**Instrucciones de funcionamiento y seguridad**

**3725DEVS**  
**3727DEVS**



**BOSCH**

**Call Toll Free for  
Consumer Information  
& Service Locations**

**Pour obtenir des informations  
et les adresses de nos centres  
de service après-vente,  
appelez ce numéro gratuit**

**Llame gratis para  
obtener información  
para el consumidor y  
ubicaciones de servicio**

**1-877-BOSCH99 (1-877-267-2499) [www.boschtools.com](http://www.boschtools.com)**

**For English Version  
See page 2**

**Version française  
Voir page 12**

**Versión en español  
Ver la página 22**

## General Power Tool Safety Warnings

**▲ WARNING** Read all safety warnings and all instructions. Failure to follow the warnings and instructions may result in electric shock, fire and/or serious injury.

### SAVE ALL WARNINGS AND INSTRUCTIONS FOR FUTURE REFERENCE

The term "power tool" in the warnings refers to your mains-operated (corded) power tool or battery-operated (cordless) power tool.

#### Work area safety

**Keep work area clean and well lit.** Cluttered or dark areas invite accidents.

**Do not operate power tools in explosive atmospheres, such as in the presence of flammable liquids, gases or dust.** Power tools create sparks which may ignite the dust or fumes.

**Keep children and bystanders away while operating a power tool.** Distractions can cause you to lose control.

#### Electrical safety

**Power tool plugs must match the outlet. Never modify the plug in any way. Do not use any adapter plugs with earthed (grounded) power tools.** Unmodified plugs and matching outlets will reduce risk of electric shock.

**Avoid body contact with earthed or grounded surfaces such as pipes, radiators, ranges and refrigerators.** There is an increased risk of electric shock if your body is earthed or grounded.

**Do not expose power tools to rain or wet conditions.** Water entering a power tool will increase the risk of electric shock.

**Do not abuse the cord. Never use the cord for carrying, pulling or unplugging the power tool. Keep cord away from heat, oil, sharp edges or moving parts.** Damaged or entangled cords increase the risk of electric shock.

**When operating a power tool outdoors, use an extension cord suitable for outdoor use.** Use of a cord suitable for outdoor use reduces the risk of electric shock.

**If operating a power tool in a damp location is unavoidable, use a Ground Fault Circuit Interrupter (GFCI) protected supply.** Use of an GFCI reduces the risk of electric shock.

#### Personal safety

**Stay alert, watch what you are doing and use common sense when operating a**

**power tool. Do not use a power tool while you are tired or under the influence of drugs, alcohol or medication.** A moment of inattention while operating power tools may result in serious personal injury.

**Use personal protective equipment. Always wear eye protection.** Protective equipment such as dust mask, non-skid safety shoes, hard hat, or hearing protection used for appropriate conditions will reduce personal injuries.

**Prevent unintentional starting. Ensure the switch is in the off-position before connecting to power source and / or battery pack, picking up or carrying the tool.** Carrying power tools with your finger on the switch or energizing power tools that have the switch on invites accidents.

**Remove any adjusting key or wrench before turning the power tool on.** A wrench or a key left attached to a rotating part of the power tool may result in personal injury.

**Do not overreach. Keep proper footing and balance at all times.** This enables better control of the power tool in unexpected situations.

**Dress properly. Do not wear loose clothing or jewelry. Keep your hair, clothing and gloves away from moving parts.** Loose clothes, jewelry or long hair can be caught in moving parts.

**If devices are provided for the connection of dust extraction and collection facilities, ensure these are connected and properly used.** Use of dust collection can reduce dust-related hazards.

#### Power tool use and care

**Do not force the power tool. Use the correct power tool for your application.** The correct power tool will do the job better and safer at the rate for which it was designed.

**Do not use the power tool if the switch does not turn it on and off.** Any power tool that cannot be controlled with the switch is dangerous and must be repaired.



**Disconnect the plug from the power source and/or the battery pack from the power tool before making any adjustments, changing accessories, or storing power tools.** Such preventive safety measures reduce the risk of starting the power tool accidentally.

**Store idle power tools out of the reach of children and do not allow persons unfamiliar with the power tool or these instructions to operate the power tool.** Power tools are dangerous in the hands of untrained users.

**Maintain power tools. Check for misalignment or binding of moving parts, breakage of parts and any other condition that may affect the power tool's operation. If damaged, have the power tool repaired before use.** Many accidents are caused by poorly maintained power tools.

**Keep cutting tools sharp and clean.** Properly maintained cutting tools with sharp cutting edges are less likely to bind and are easier to control.

**Use the power tool, accessories and tool bits etc. in accordance with these instructions, taking into account the working conditions and the work to be performed.** Use of the power tool for operations different from those intended could result in a hazardous situation.

### Service

**Have your power tool serviced by a qualified repair person using only identical replacement parts.** This will ensure that the safety of the power tool is maintained.

## Safety Rules for Random Orbital Sanders

**Unplug the sander before changing accessories.** Accidental start-ups may occur if sander is plugged in while changing an accessory.

**If your tool is equipped with a dust bag, empty it frequently and after completion of sanding.** Be extremely careful of dust disposal, materials in fine particle form may be explosive. Do not throw sanding dust on an open fire. Spontaneous combustion, may in time, result from mixture of oil or water with dust particles.

**Always wear eye protection and a dust mask for dusty applications and when sanding overhead.** Sanding particles can be absorbed by your eyes and inhaled easily and may cause health complications.

**Do not wet sand with this sander.** Liquids entering the motor housing is an electrical shock hazard.

**Do not use PSA pad on random orbit sanders whose speed exceeds 12,000/min.** Exceeding the maximum

operating speed of pad may cause pad to rupture or fly apart during use striking user or bystanders.

**Do not use sandpaper intended for larger sanding pads.** Larger sandpaper will extend beyond the sanding pad causing snagging, tearing of the paper or kick-back. Extra paper extending beyond the sanding pad can also cause serious lacerations.

**Be aware of the location and setting of the Switch "Lock-ON" Button.** If the switch is locked "ON", be ready for emergency situations to switch it "OFF", by first pulling the trigger then immediately releasing it without pressing the "Lock-ON" button.

**Clamp or secure workpiece when sanding.** Clamping the workpiece prevents it from being ejected from under the sander and leaves both hands to control the tool.

**Keep the cord away from the spinning pad and sandpaper.** The cord can become entangled with the pad.



## Additional Safety Warnings

GFCI and personal protection devices like electrician's rubber gloves and footwear will further enhance your personal safety.

**Do not use AC only rated tools with a DC power supply.** While the tool may appear to work, the electrical components of the AC rated tool are likely to fail and create a hazard to the operator.

**Keep handles dry, clean and free from oil and grease.** Slippery hands cannot safely control the power tool.

**Develop a periodic maintenance schedule for your tool. When cleaning a tool be careful not to disassemble any portion of the tool since internal wires may be misplaced or pinched or safety guard return springs may be improperly mounted.** Certain cleaning agents such as gasoline, carbon tetrachloride, ammonia, etc. may damage plastic parts.

Risk of injury to user. The power cord must only be serviced by a Bosch Factory Service Center or Authorized Bosch Service Station.



### WARNING

**Some dust created by power sanding, sawing, grinding, drilling, and other construction activities contains chemicals known to cause cancer, birth defects or other reproductive harm. Some examples of these chemicals are:**




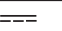








- Lead from lead-based paints,
- Crystalline silica from bricks and cement and other masonry products, and
- Arsenic and chromium from chemically-treated lumber.

Your risk from these exposures varies, depending on how often you do this type of work. To reduce your exposure to these chemicals: work in a well ventilated area, and work with approved safety equipment, such as those dust masks that are specially designed to filter out microscopic particles.



## Symbols

**IMPORTANT:** Some of the following symbols may be used on your tool. Please study them and learn their meaning. Proper interpretation of these symbols will allow you to operate the tool better and safer.

Symbol	Name	Designation/Explanation
V	Volts	Voltage (potential)
A	Amperes	Current
Hz	Hertz	Frequency (cycles per second)
W	Watt	Power
kg	Kilograms	Weight
min	Minutes	Time
s	Seconds	Time
$\varnothing$	Diameter	Size of drill bits, grinding wheels, etc.
$n_0$	No load speed	Rotational speed, at no load
n	Rated speed	Maximum attainable speed
.../min	Revolutions or reciprocation per minute	Revolutions, strokes, surface speed, orbits etc. per minute
0	Off position	Zero speed, zero torque...
1, 2, 3, ... I, II, III,	Selector settings	Speed, torque or position settings. Higher number means greater speed
	Infinately variable selector with off	Speed is increasing from 0 setting
	Arrow	Action in the direction of arrow
	Alternating current	Type or a characteristic of current
	Direct current	Type or a characteristic of current
	Alternating or direct current	Type or a characteristic of current
	Class II construction	Designates Double Insulated Construction tools.
	Earthing terminal	Grounding terminal
	Warning symbol	Alerts user to warning messages
	Li-ion RBRC seal	Designates Li-ion battery recycling program
	Ni-Cad RBRC seal	Designates Ni-Cad battery recycling program
	Read manual symbol	Alerts user to read manual
	Wear eye protection symbol	Alerts user to wear eye protection



## Symbols (continued)

**IMPORTANT:** Some of the following symbols may be used on your tool. Please study them and learn their meaning. Proper interpretation of these symbols will allow you to operate the tool better and safer.



This symbol designates that this tool is listed by Underwriters Laboratories.



This symbol designates that this tool is recognized by Underwriters Laboratories.



This symbol designates that this tool is listed by Underwriters Laboratories, to United States and Canadian Standards.



This symbol designates that this tool is listed by the Canadian Standards Association.



This symbol designates that this tool is listed by the Canadian Standards Association, to United States and Canadian Standards.



This symbol designates that this tool is listed by the Intertek Testing Services, to United States and Canadian Standards.



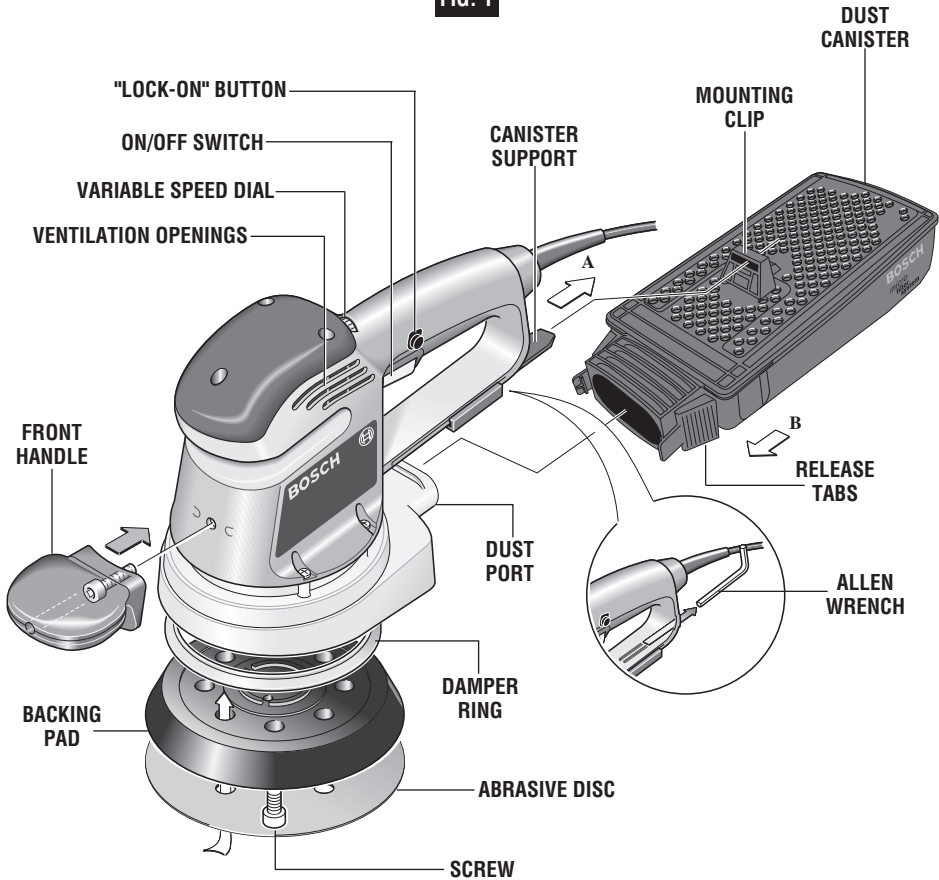
This symbol designates that this tool complies to NOM Mexican Standards.

## Functional Description and Specifications

**WARNING** Disconnect the plug from the power source before making any assembly, adjustments or changing accessories. Such preventive safety measures reduce the risk of starting the tool accidentally.

### Random Orbit Sander

**FIG. 1**



Model number	3725DEVS	3727DEVS
Pad diameter	** 5" (125 mm)	** 6" (150 mm)
Abrasive diameter	** 5" (125 mm)	** 6" (150 mm)

( \*\* = **NOTE:** 5" and 6" pads are not interchangeable.)

**NOTE:** For tool specifications refer to the nameplate on your tool.

## Assembly

### BACKING PAD INSTALLATION

The random orbit sander is equipped with a backing pad of soft hardness, which is suitable for general service. Hard and extra-soft pads are available for other purposes, and in general are used as follows;

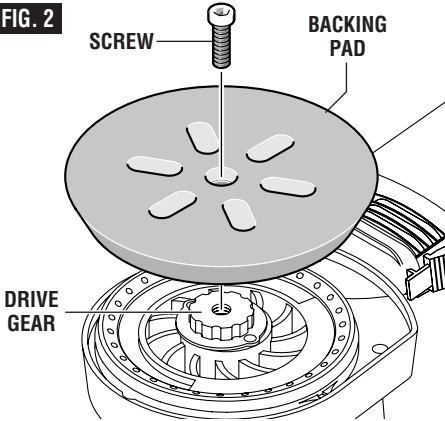
**Extra soft pad** - Polishing or sanding large or curved surfaces.

**Soft pad** - All purpose general sanding and polishing.

**Hard pad** - Heavy sanding on flat surfaces, especially with coarser abrasives.

To change backing pad, hold pad firmly and remove the screw using a 5 mm hex wrench that secures the backing pad and remove old pad. Align new pad over drive gear on drive spindle. **Attention:** always be sure the teeth on the drive gear engage into the openings on the backing pad. Replace screw and securely tighten. Damaged or worn backing pads must be replaced immediately (Fig. 2).

FIG. 2

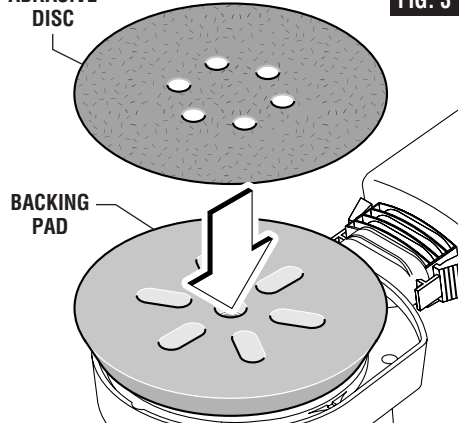


### INSTALLING ACCESSORIES

The random orbit sander uses hook-and-loop backed accessories, which firmly grip the pad when applied with moderate pressure. To change the accessory, merely peel off the old accessory, remove dust from the pad if necessary, and press the new accessory in place. Be sure to align the sanding disc holes with the holes in the backing pad to allow the dust extraction system to function (Fig. 3).

ABRASIVE DISC

FIG. 3



After considerable service the pad surface will become worn, and the pad must be replaced when it no longer offers a firm grip. If you are experiencing premature wearout of the pad facing, decrease the amount of pressure you are applying during operation of the tool.

### FRONT HANDLE

Your sander is equipped with a removable front handle when sanding in tight quarters. To remove handle, remove screw with allen wrench. Always reinstall handle for normal operation. Depending on the task, you may

grip the rear handle alone, the rear handle and the front handle, or the rear handle and the top of the ergonomically contoured soft grip motor housing, which is designed for that purpose (Fig. 1).



### BACKING PAD DAMPER

Your tool is equipped with an integrated backing pad damper ring. This damper reduces the no-load speed, which helps prevent swirl marks on the workpiece surface and provides uniform finishing.

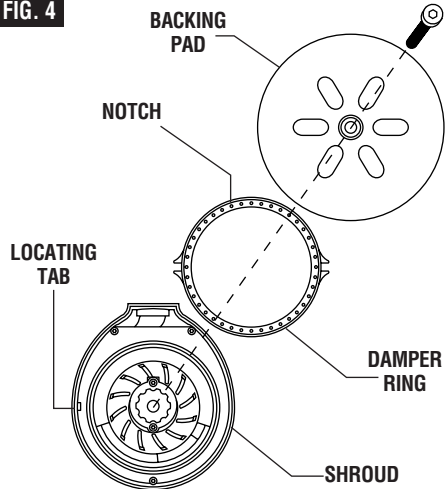
**NOTE:** If you notice steadily increasing no-load speed, this indicates that the damper ring is worn and needs to be replaced.

To replace damper ring, remove backing pad as described in "Backing Pad Installation" and remove worn damper ring by pulling firmly out of locating groove. Align notch on damper ring with locating tab on shroud and depress ring with thumbs until shroud seats into groove completely around ring (Fig. 4).

Re-attach backing pad as described in "Backing Pad Installation"

**IMPORTANT:** Ring should not have bends or ripples when correctly seated.

FIG. 4



## Dust Collection

### MICROFILTER DUST CANISTER

The integral dust extraction system collects sanding dust in canister supplied with your sander. For maximum efficiency, the dust canister should be emptied frequently during operation.

**⚠ WARNING** Your tool is equipped with a dust canister, empty it frequently, after completion of sanding and before storing the sander. Be extremely careful of dust disposal, materials in fine particle form may be explosive. Do not throw sanding dust on an open fire. Combustion from mixture of varnishes, lacquers, polyurethane, oil or water with dust particles can occur if there is a static discharge, spark introduced in the box, or excessive heat.

### REMOVING AND INSTALLING DUST CANISTER

To attach dust canister, slide canister support in direction of arrow (A) until it stops. Insert mounting clip into the pocket provided on canister. Then slide canister support through mounting clip in direction of arrow (B) and push onto the dust port (Fig. 5).

To remove dust canister, squeeze release tabs on both sides of canister and simply pull away from the tool (Fig. 6).

FIG. 5

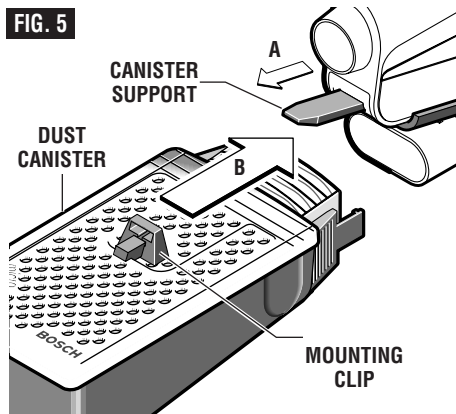
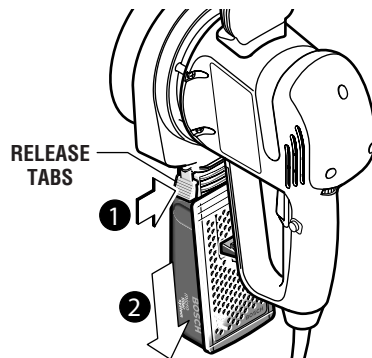


FIG. 6

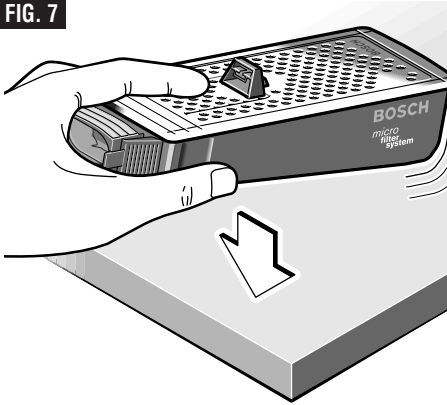


### CLEANING AND EMPTYING THE DUST CANISTER

It is recommended to loosen dust from the microfilter by gently striking it against a solid surface (Fig. 7).

To empty, lift lid of canister. Knock excess dust out of the micro filter, or remove dust with your fingers or a soft brush (Fig. 8).

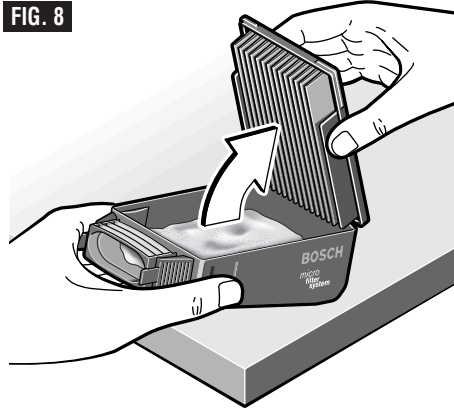
**FIG. 7**



You may notice that all the dust may not come out of the canister. This will not affect sanding performance but will reduce dust collection efficiency.

**NOTE:** Do not wash the micro filter with soap and water. Dust may become more firmly lodged in the pores, which will reduce dust collection, and damage the micro filter.

**FIG. 8**

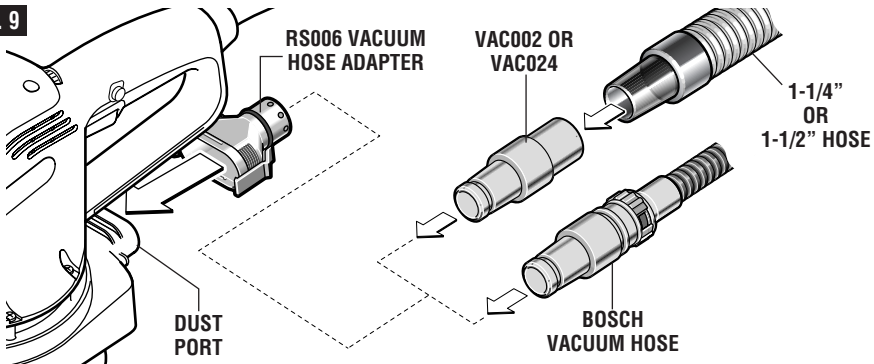


### ATTACHING VACUUM HOSE

When the canister is removed from the tool, an (optional) RS006 vacuum hose adapter can be attached to the dust port. To use this feature, attach the vacuum hose adapter to dust port,

and attach a Bosch vacuum cleaner hose to the adapter. For connecting the adapter to a 1-1/4" or 1-1/2" vac hose, an optional Bosch VAC002 or VAC024 hose adapter is also required (Fig. 9).

**FIG. 9**



## Operating Instructions

### TRIGGER "ON-OFF" SWITCH

To turn the tool "ON" squeeze the trigger switch. To turn the tool "OFF", release the trigger switch, which is spring loaded and will

return to the "OFF" position automatically. To increase switch life, do not turn switch on and off while tool is under load (Fig. 1).

### "LOCK-ON" BUTTON

The "Lock-ON" button, located near the trigger allows for continuous operation at maximum OPM without holding the trigger (Fig. 1).

TO LOCK TRIGGER "ON": squeeze trigger, depress button and release trigger.

TO UNLOCK THE TRIGGER: squeeze trigger and release it without depressing the "Lock-ON" button.

**WARNING** If the "Lock-ON" button is continuously being depressed, the trigger can not be released.

### VARIABLE SPEED WITH DIAL SETTING

Your sander is also equipped with a variable speed dial. The sander's orbital pad speed can be preset from zero to maximum nameplate OPM by rotating the dial in the housing. The dial may be set on or between any of six positions (1=low through 6=high). The "Lock-ON" button may also be used with any setting of the dial.

The following table may be used as a general guide for abrasive and backing pad selection, but the best results will be obtained by sanding a test sample of the workpiece first.

Material	Switch setting	Backing pad	Grit size
	rough/finish		rough/finish
<b>woods:</b>			
softwoods	4 / 6	extra soft	60 / 240
hardwoods	4 / 6	soft	60 / 180
veneers	4	soft	240 / 320
<b>metals:</b>			
steel	4	soft	60 / 240
stainless	4	soft	120 / 240
aluminum	4 / 6	soft	80 / 240
rust spots	6	extra soft	60 / 120
<b>paintwork:</b>			
sanding	2 / 3	soft	180 / 400
scratches	4 / 6	hard	120 / 240
stripping	4	soft	40/60 /80

## Tool Tips

### SELECTING SANDING DISCS

Open-coat aluminum oxide sanding discs are recommended for most wood or metal sanding applications, as this synthetic material cuts quickly and wears well. Some applications, such as plastics, glass, or stone require silicon carbide discs, which have a very sharp cutting edge. For best results, use Bosch sanding and polishing accessories, which are of superior quality and are carefully selected to produce professional quality results with your sander.

### START OF SANDING

With the workpiece firmly secured, place the pad on the work surface, then switch the tool on. DO NOT apply excessive pressure as this will slow the pad action, and DO NOT start the tool and bring it up to speed before applying to the work; swirl marks will result in either case.

### SANDING ACTION

This sander has optimized random sanding action. The pad orbits and rotates freely, duplicating natural hand sanding action for aggressive stock removal and smooth, well-blended surface finish. The orbit offset for this tool is 2 mm (5/64")

In general, higher speeds will give the best results. If faster removal is desired, DO NOT

APPLY PRESSURE ON THE TOOL; use a coarser grade of abrasive. Move the sander in long sweeping strokes, parallel to the grain using some lateral motion to overlap the strokes by as much as 75%. The random orbit action allows cross-grain sanding, but be careful not to tilt the sander near edges, or undesirable rounding may result.

### SANDING SEQUENCE

If the surface is rough, begin with coarser grits and then complete the surfacing with medium and fine abrasives. Because the random orbit action is so effective, it is often possible to begin sanding with a medium grit disc and go directly to fine finishing. To avoid uneven results, do not skip more than one grit size when going from coarser to finer, and do not sand in one area for too long.

### REMOVAL OF SANDER

To help prevent swirl marks when the job is completed, gently lift the tool from the work surface, then switch the tool off.

### POLISHING

For most polishing, the extra-soft backing pad will give the best results. The random orbit sander may be fitted with an optional foam buffing pad or polishing bonnet to polish or remove scratches from painted or finished

surfaces, plastics, and even glass. The tool is operated in much the same way as when sanding, but the following points should be observed;

Apply the compound to the surface, and use the sponge applicator pad with light pressure and a circular motion to remove scratches and restore weathered finishes. Use only as much compound as necessary, and clean the sponge frequently during use.

When initial polishing is completed, wipe away any excess compound with a soft towel, and then polish the surface to its final finish with the polishing bonnet. Use smooth overlapping strokes for best results.

It is important to note that the orbit speed of the random orbit sander is not the same as the RPM of a standard right-angle polisher. The random orbit action is much like a powerful hand polishing action, and therefore does not have the high speeds at the edge of the pad which can burn the work surface. For this reason, it is possible to select a higher OPM for the random orbit sander than the recommended RPM for a standard polisher. Practice on a hidden area or test surface until you have determined the tool is suitable for your polishing application.

Clean the buffing pad and polishing bonnet with mild detergents and warm water. DO NOT use solvents.

## Maintenance

### Service

**⚠ WARNING** Preventive maintenance performed by unauthorized personnel may result in misplacing of internal wires and components which could cause serious hazard. We recommend that all tool service be performed by a Bosch Factory Service Center or Authorized Bosch Service Station.

### TOOL LUBRICATION

Your Bosch tool has been properly lubricated and is ready to use. It is recommended that tools with gears be regreased with a special gear lubricant at every brush change.

### CARBON BRUSHES

The brushes and commutator in your tool have been engineered for many hours of dependable service. To maintain peak efficiency of the motor, we recommend every two to six months the brushes be examined. Only genuine Bosch replacement brushes specially designed for your tool should be used.

### BEARINGS

Bearings which become noisy (due to heavy load or very abrasive material cutting) should be replaced at once to avoid overheating or motor failure.

### Cleaning

**⚠ WARNING** To avoid accidents always disconnect the tool from the power supply before cleaning or performing any maintenance. The tool may be cleaned most effectively with compressed dry air. **Always wear safety goggles when cleaning tools with compressed air.**

Ventilation openings and switch levers must be kept clean and free of foreign matter. Do not attempt to clean by inserting pointed objects through openings.

**⚠ CAUTION** Certain cleaning agents and solvents damage plastic parts. Some of these are: gasoline, carbon tetrachloride, chlorinated cleaning solvents, ammonia and household detergents that contain ammonia.

## Extension Cords

**⚠ WARNING** If an extension cord is necessary, a cord with adequate size conductors that is capable of carrying the current necessary for your tool must be used. This will prevent excessive voltage drop, loss of power or overheating. Grounded tools must use 3-wire extension cords that have 3-prong plugs and receptacles.

**NOTE:** The smaller the gauge number, the heavier the cord.

### RECOMMENDED SIZES OF EXTENSION CORDS 120 VOLT ALTERNATING CURRENT TOOLS

Tool's Ampere Rating	Cord Size in A.W.G.				Wire Sizes in mm <sup>2</sup>			
	Cord Length in Feet				Cord Length in Meters			
	25	50	100	150	15	30	60	120
3-6	18	16	16	14	0.75	0.75	1.5	2.5
6-8	18	16	14	12	0.75	1.0	2.5	4.0
8-10	18	16	14	12	0.75	1.0	2.5	4.0
10-12	16	16	14	12	1.0	2.5	4.0	—
12-16	14	12	—	—	—	—	—	—

## Accessories & Attachments

- |   |  |
|---|--|
| <ul style="list-style-type: none"> <li>* Allen wrench 5mm</li> <li>* Dust canister</li> <li>* Auxiliary Handle</li> <li>* Soft backing pad</li> <li>** Extra soft backing pad</li> <li>** Hard backing pad</li> <li>** Sanding Discs</li> </ul> | <ul style="list-style-type: none"> <li>** Vacuum hose adapter (tool end)</li> <li>** Vacuum hose adapter (canister end)</li> <li>** Vacuum hose</li> <li>** Carrying case</li> </ul> <p>(* = standard equipment)<br/>(** = optional accessories)</p> |
|---|--|



## Avertissements généraux concernant la sécurité des outils électroportatifs

**⚠ AVERTISSEMENT** Veuillez lire tous les avertissements et toutes les consignes de sécurité. Si l'on n'observe pas ces avertissements et ces consignes de sécurité, il existe un risque de choc électrique, d'incendie et/ou de blessures corporelles graves.

### CONSERVEZ TOUS LES AVERTISSEMENTS ET TOUTES LES CONSIGNES DE SÉCURITÉ POUR RÉFÉRENCE FUTURE.

Dans les avertissements, le terme « outil électroportatif » se rapporte à votre outil branché sur le secteur (avec fil) ou à votre outil alimenté par piles (sans fil).

#### Sécurité du lieu de travail

**Maintenez le lieu de travail propre et bien éclairé.** Les risques d'accident sont plus élevés quand on travaille dans un endroit encombré ou sombre.

**N'utilisez pas d'outils électroportatifs dans des atmosphères explosives, comme par exemple en présence de gaz, de poussières ou de liquides inflammables.** Les outils électroportatifs produisent des étincelles qui risquent d'enflammer les poussières ou les vapeurs.

**Éloignez les enfants et les visiteurs quand vous vous servez d'un outil électroportatif.** Vous risquez une perte de contrôle si on vous distrait.

#### Sécurité électrique

**Les fiches des outils électroportatifs doivent correspondre à la prise. Il ne faut absolument jamais modifier la fiche. N'utilisez pas d'adaptateur de prise avec des outils électroportatifs munis d'une fiche de terre.** Le risque de choc électrique est moindre si on utilise une fiche non modifiée sur une prise qui lui correspond.

**Évitez tout contact du corps avec des surfaces reliées à la terre tels que tuyaux, radiateurs, gazinières ou réfrigérateurs.** Le risque de choc électrique augmente si votre corps est relié à la terre.

**N'exposez pas les outils électroportatifs à la pluie ou à l'humidité.** Si de l'eau pénètre dans un outil électroportatif, le risque de choc électrique augmente.

**Ne maltraitez pas le cordon. Ne vous en servez jamais pour transporter l'outil électroportatif, pour le tirer ou pour le débrancher. Éloignez le cordon de la chaleur, des huiles, des arêtes coupantes ou des pièces mobiles.** Les cordons abîmés ou emmêlés augmentent les risques de choc électrique.

**Si vous utilisez un outil électroportatif à l'extérieur, employez une rallonge conçue pour l'extérieur.** Ces rallonges sont faites pour l'extérieur et réduisent le risque de choc électrique.

**S'il est absolument nécessaire d'utiliser l'outil électroportatif dans un endroit humide, utilisez une alimentation protégée par un disjoncteur de fuite de terre (GFCI).** L'utilisation d'un disjoncteur GFCI réduit les risques de choc électrique.

#### Sécurité personnelle

**Restez concentré, faites attention à ce que vous faites, et servez-vous de votre bon sens lorsque vous utilisez un outil électroportatif. N'employez pas d'outils électroportatifs quand vous êtes fatigué ou sous l'emprise de drogues, d'alcool ou de médicaments.** Quand on utilise des outils électroportatifs, il suffit d'un moment d'inattention pour causer des blessures corporelles graves.

**Utilisez des équipements de sécurité personnelle. Portez toujours une protection oculaire.** Le port d'équipements de sécurité tels que des masques antipoussières, des chaussures de sécurité antidérapantes, des casques de chantier et des protecteurs d'oreilles dans des conditions appropriées réduira le risque de blessure corporelle.

**Évitez les démarrages intempestifs. Assurez-vous que l'interrupteur est dans la position arrêt (Off) avant de brancher l'outil dans une prise de courant et/ou un bloc-piles, de le ramasser ou de le transporter.** Le transport d'un outil électroportatif avec le doigt sur la gâchette ou le branchement de cet outil quand l'interrupteur est en position de marche (ON) est une invite aux accidents.

**Enlevez toutes les clés de réglage avant de mettre l'outil électroportatif en marche.** Si on laisse une clé sur une pièce tournante de l'outil électroportatif, il y a risque de blessure corporelle.

**Ne vous penchez pas. Conservez toujours une bonne assise et un bon équilibre.** Ceci vous permettra de mieux maîtriser l'outil électroportatif dans des situations inattendues.

**Habillez-vous de manière appropriée. Ne portez pas de vêtements amples ou de bijoux. Attachez les cheveux longs. N'approchez pas les cheveux, les vêtements ou les gants des pièces en mouvement.** Les vêtements amples, les bijoux ou les cheveux longs risquent d'être happés par les pièces en mouvement.

**Si l'outil est muni de dispositifs permettant le raccordement d'un système d'aspiration et de collecte des poussières, assurez-vous que ces dispositifs sont raccordés et utilisés correctement.** L'utilisation d'un dépoussiéreur peut réduire les dangers associés à l'accumulation de poussière.



## Utilisation et entretien des outils électroportatifs

**Ne forcez pas sur l'outil électroportatif. Utilisez l'outil électroportatif qui convient à la tâche à effectuer.** L'outil qui convient à la tâche fait un meilleur travail et est plus sûr à la vitesse pour lequel il a été conçu.

**Ne vous servez pas de l'outil électroportatif si son interrupteur ne parvient pas à le mettre en marche ou à l'arrêter.** Tout outil électroportatif qui ne peut pas être commandé par son interrupteur est dangereux et doit être réparé.

**Débranchez la fiche de la prise ou enlevez le bloc-pile de l'outil électroportatif avant tout réglage, changement d'accessoires ou avant de ranger l'outil électroportatif.** De telles mesures de sécurité préventive réduisent le risque de démarrage intempestif de l'outil électroportatif.

**Rangez les outils électroportatifs dont vous ne vous servez pas hors de portée des enfants et ne permettez pas à des personnes qui ne connaissent pas l'outil électroportatif ou qui ignorent ces consignes de s'en servir.** Les outils électroportatifs sont dangereux dans les mains d'utilisateurs inexpérimentés.

**Entretenez les outils électroportatifs. Vérifiez que les pièces mobiles sont alignées correctement et ne coincent pas. Vérifiez qu'il n'y a pas de pièces cassées ou d'autre circonstance qui risquent d'affecter le fonctionnement de l'outil électroportatif. Si l'outil est abîmé, faites-le réparer avant de l'utiliser.** De nombreux accidents sont causés par des outils électroportatifs mal entretenus.

**Maintenez les outils coupants affûtés et propres.** Les outils coupants entretenus correctement et dotés de bords tranchants affûtés sont moins susceptibles de coincer et sont plus faciles à maîtriser.

**Utilisez l'outil électroportatif, les accessoires et les embouts d'outil, etc. conformément à ces instructions, en tenant compte des conditions de travail et des travaux à réaliser.** L'emploi d'outils électroportatifs pour des tâches différentes de celles pour lesquelles ils ont été prévus peut résulter en une situation dangereuse.

### Entretien

**Faites réparer votre outil électroportatif par un agent de service qualifié n'utilisant que des pièces de rechange identiques.** Ceci assure que la sécurité de l'outil électroportatif est préservée.

## Consignes de sécurité de la ponceuse à orbite aléatoire

**Débranchez la ponceuse avant de changer les accessoires.** Une mise en marche accidentelle peut survenir si la ponceuse est branchée pendant le changement d'un accessoire.

**Si votre outil est équipé d'un sac à poussière, videz-le souvent et au terme du ponçage.** Procédez extrêmement soigneusement dans l'évacuation de la poussière, les matières sous forme de particules fines peuvent être explosives. Ne jetez pas le bran de scie sur des flammes nues. Une combustion spontanée peut parfois résulter d'un mélange d'huile ou d'eau avec des particules de poussière.

**Portez toujours des lunettes de protection et un masque anti-poussières pour les applications poussiéreuses et lors du ponçage au-dessus de la tête.** Des particules de ponçage peuvent être absorbées par vos yeux et inhalées facilement et peuvent causer des problèmes de santé.

**Ne poncez pas par voie humide à l'aide de cette ponceuse.** La pénétration de liquides dans le carter du moteur constitue un risque de secousses électriques.

**N'utilisez pas le patin autocollant sur les ponceuses à orbite aléatoire dont la vitesse dépasse 12 000 tr/min.** Si la vitesse de service maximale du patin est dépassée, le patin peut se briser ou voler en éclats

durant l'usage, frappant ainsi l'utilisateur ou les personnes présentes.

**N'utilisez pas du papier de verre destiné à des blocs de ponçage plus gros.** Le papier de verre de dimensions plus grandes fera saillie au-delà du bloc de ponçage entraînant ainsi des accrocs, un déchirement du papier ou un rebond. Le papier supplémentaire faisant saillie au-delà du bloc de ponçage peut également causer des lacérations graves.

**Connaissez l'emplacement et le réglage du bouton de blocage de l'interrupteur en position de marche.** Si l'interrupteur est bloqué en position de marche « ON », soyez prêt, dans les cas d'urgence, à le mettre à l'arrêt « OFF » en appuyant d'abord sur la gâchette, puis en la relâchant immédiatement sans appuyer sur le bouton de blocage en marche.

**Fixez à l'aide de brides ou assujettissez l'ouvrage en ponçant.** La fixation de l'ouvrage à l'aide de brides l'empêche d'être éjecté depuis le dessous de la ponceuse et laisse les deux mains libres pour contrôler l'outil.

**Tenez le cordon à l'écart du bloc en rotation et du papier de verre.** Le cordon peut s'emmêler avec le bloc.



## Avertissements supplémentaires concernant la sécurité

L'emploi d'un GFCI et de dispositifs de protection personnelle tels que gants et chaussures d'électricien en caoutchouc améliorent votre sécurité personnelle.

**N'utilisez pas un outil conçu uniquement pour le C.A. sur une alimentation en C.C.** Même si l'outil semble fonctionner, les composants électriques d'un outil prévu pour le C.A. tomberont probablement en panne et risquent de créer un danger pour l'utilisateur.

**Maintenez les poignées sèches et exemptes d'huile et de graisse.** On ne peut maîtriser un outil électroportatif en toute sécurité quand on a les mains glissantes.

**Créez un agenda d'entretien périodique pour votre outil. Quand vous nettoyez un outil, faites attention de n'en démonter aucune pièce car il est toujours possible de mal remonter ou de pincer les fils internes ou de remonter incorrectement les ressorts de rappel des capots de protection.** Certains agents de nettoyage tels que l'essence, le tétrachlorure de carbone, l'ammoniaque, etc. risquent d'abîmer les plastiques.

Risque de blessure pour l'utilisateur. Le cordon d'alimentation électrique ne doit être réparé que par un Centre de service usine de Bosch ou par une Station service agréée de Bosch.



### AVERTISSEMENT

**Les travaux à la machine tel que ponçage, sciage, meulage, perçage et autres travaux du bâtiment peuvent créer des poussières contenant des produits chimiques qui sont des causes reconnues de cancer, de malformation congénitale ou d'autres problèmes reproductifs. Ces produits chimiques sont, par exemple :**

- Le plomb provenant des peintures à base de plomb,
- Les cristaux de silices provenant des briques et du ciment et d'autres produits de maçonnerie, et
- L'arsenic et le chrome provenant des bois traités chimiquement.





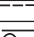
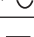







Le niveau de risque dû à cette exposition varie avec la fréquence de ces types de travaux. Pour réduire l'exposition à ces produits chimiques, il faut travailler dans un lieu bien ventilé et porter un équipement de sécurité approprié tel que certains masques à poussière conçus spécialement pour filtrer les particules microscopiques.





## Symboles

**IMPORTANT** : Certains des symboles suivants peuvent être utilisés sur votre outil. Veuillez les étudier et apprendre leur signification. Une interprétation appropriée de ces symboles vous permettra d'utiliser l'outil de façon plus efficace et plus sûre.

Symbole	Nom	Désignation/Explication
V	Volts	Tension (potentielle)
A	Ampères	Courant
Hz	Hertz	Fréquence (cycles par seconde)
W	Watt	Puissance
kg	Kilogrammes	Poids
min	Minutes	Temps
s	Secondes	Temps
	Diamètre	Taille des mèches de perceuse, meules, etc.
$n_0$	Vitesse à vide	Vitesse de rotation, à vide
n	Vitesse nominale	Vitesse maximum pouvant être atteinte
.../min	Tours ou mouvement alternatif par minute	Tours, coups, vitesse en surface, orbites, etc., par minute
0	Position d'arrêt	Vitesse zéro, couple zéro ...
1, 2, 3, ... I, II, III, ...	Réglages du sélecteur	Réglages de vitesse, de couple ou de position. Un nombre plus élevé signifie une vitesse plus grande
	Sélecteur variable à l'infini avec arrêt	La vitesse augmente depuis le réglage 0
	Flèche	Action dans la direction de la flèche
	Courant alternatif	Type ou caractéristique du courant
	Courant continu	Type ou caractéristique du courant
	Courant alternatif ou continu	Type ou caractéristique du courant
	Construction classe II	Désigne des outils construits avec double isolation
	Borne de terre	Borne de mise à la terre
	Symbole d'avertissement	Alerte l'utilisateur aux messages d'avertissement.
	Sceau Li-ion RBRC	Désigne le programme de recyclage des piles Li-ion.
	Sceau Ni-Cad RBRC	Désigne le programme de recyclage des piles Ni-Cad.
	Symbole de lecture du mode d'emploi	Alerte l'utilisateur pour lire le mode d'emploi
	Symbole de port de lunettes de sécurité	Alerte l'utilisateur pour porter des lunettes de sécurité

## Symboles (suite)

**IMPORTANT** : Certains des symboles suivants peuvent être utilisés sur votre outil. Veuillez les étudier et apprendre leur signification. Une interprétation appropriée de ces symboles vous permettra d'utiliser l'outil de façon plus efficace et plus sûre.



Ce symbole signifie que cet outil est approuvé par Underwriters Laboratories.



Ce symbole indique que cet outil est reconnu par Underwriters Laboratories.



Ce symbole signifie que cet outil est approuvé par Underwriters Laboratories selon les normes des États-Unis et du Canada.



Ce symbole signifie que cet outil est approuvé par l'Association canadienne de normalisation.



Ce symbole signifie que cet outil est approuvé par l'Association canadienne de normalisation selon les normes des États-Unis et du Canada.



Ce symbole signifie que cet outil est approuvé par Intertek Testing Services selon les normes des États-Unis et du Canada.



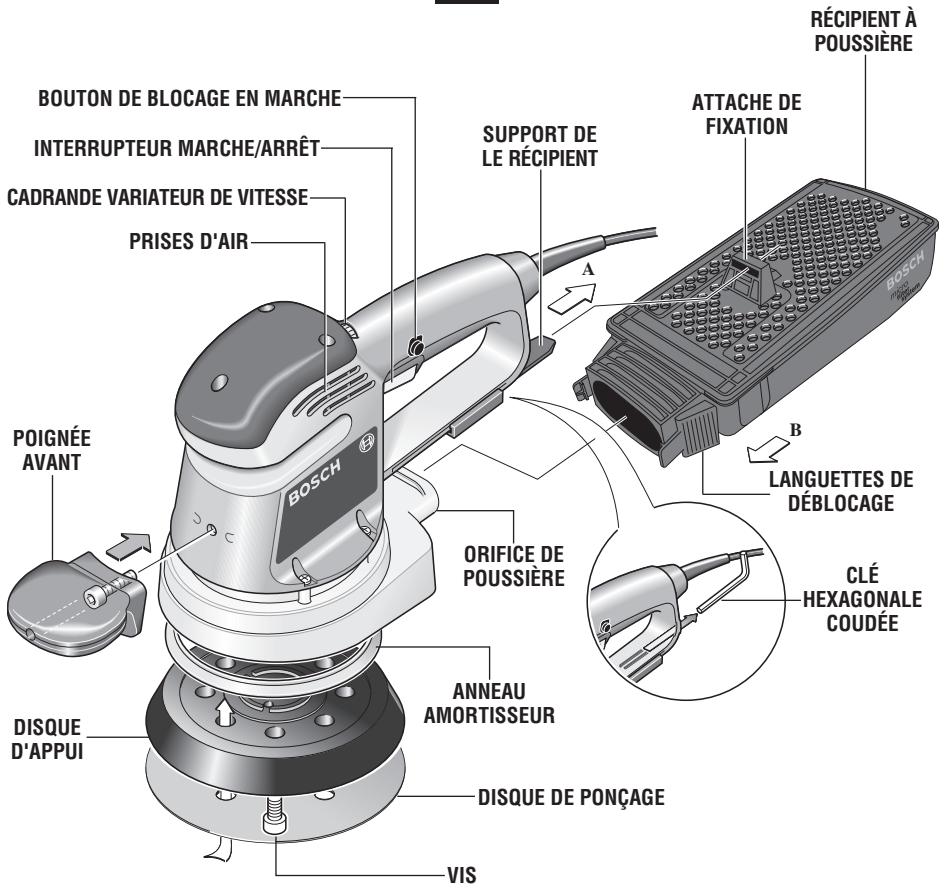
Ce symbole signifie que cet outil se conforme aux normes mexicaines NOM.

## Description fonctionnelle et spécifications

**AVERTISSEMENT** Débranchez la fiche de la prise de courant avant d'effectuer quelque assemblage ou réglage que ce soit ou de changer les accessoires. Ces mesures de sécurité préventive réduisent le risque d'une mise en marche accidentelle de l'outil.

### Ponceuse à orbite aléatoire

FIG. 1



Numéro de modèle	3725DEVS	3727DEVS
Diamètre du disque	**5 po (125 mm)	**6 po (150 mm)
Diamètre abrasif	**5 po (125 mm)	**6 po (150 mm)
(** = REMARQUE : Les disques de 5" et de 6" ne sont pas interchangeables.)		

**REMARQUE :** Pour spécifications de l'outil, reportez-vous à la plaque signalétique de votre outil.

## Assemblage

### POSE DU DISQUE D'APPUI

La ponceuse à orbite aléatoire est équipée d'un disque d'appui de consistance souple qui convient aux applications générales. Des disques d'appui fermes et extra-souples sont disponibles pour d'autres applications, et ils sont généralement utilisés de la façon suivante :

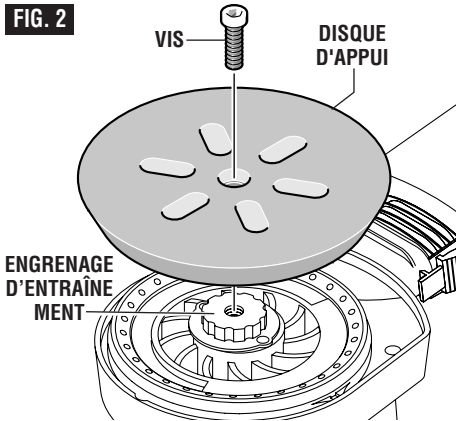
**Disque d'appui extra souple** - Polissage et ponçage des surfaces plus grandes et incurvées.

**Disque d'appui souple** - Tous les polissages et ponçages généraux.

**Disque d'appui ferme** - Gros ponçage de surfaces plates, spécialement avec abrasif à gros grains.

Pour changer le disque d'appui, tenez fermement le disque en place et retirez au moyen d'une clé hexagonale de 5 mm la vis qui assujettit le disque d'appui, puis retirez le disque usagé. Alignez le nouveau disque avec l'arbre d'entraînement au-dessus de l'engrenage d'entraînement. **Attention** : assurez-vous toujours que les dents sur l'engrenage d'entraînement s'engagent dans les ouvertures sur le disque d'appui. Remettez la vis en place et serrez à fond. Les disques d'appui usés ou endommagés doivent être remplacés immédiatement (Fig. 2).

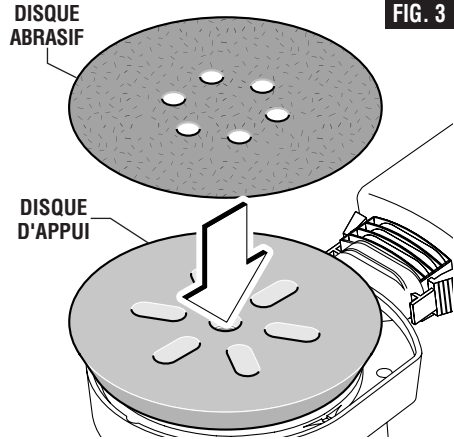
FIG. 2



### POSE DES ACCESSOIRES

La ponceuse à orbite aléatoire utilise des accessoires à attaches qui s'accrochent fermement au disque d'appui à la moindre poussée. En cas de substitution, pelez simplement le présent accessoire, essuyez la poussière du disque s'il y a lieu et enfoncez l'accessoire de rechange à sa place. Ayez soin d'aligner les ouvertures du disque abrasif avec celles du disque d'appui si vous voulez que le dispositif d'extraction de la poussière fonctionne efficacement (Fig. 3).

FIG. 3



La surface du disque d'appui s'use avec le temps et il devra être remplacé quand il ne tient plus adéquatement. Si vous êtes en mesure d'observer l'usure prématurée de la surface du disque d'appui, appuyez moins fort sur la ponceuse.

### POIGNEE AVANT

Votre ponceuse est équipée d'une poignée avant amovible pour poncer dans des espaces restreints. Pour retirer la poignée, enlevez la vis à l'aide d'une clé Allen. Reposez toujours la poignée pour un fonctionnement normal. Suivant la nature du travail,

vous pouvez tenir l'outil par la poignée arrière seule, la poignée arrière et la poignée avant, ou la poignée arrière et le dessus du logement de moteur à prise douce, de forme ergonomique, conçu à cette fin (Fig. 1).

### AMORTISSEUR DU DISQUE D'APPUI

Votre outil est équipé d'un anneau amortisseur intégré du disque d'appui. Cet amortisseur réduit la vitesse sans charge, ce qui aide à prévenir un marquage accidentel de la surface de travail.

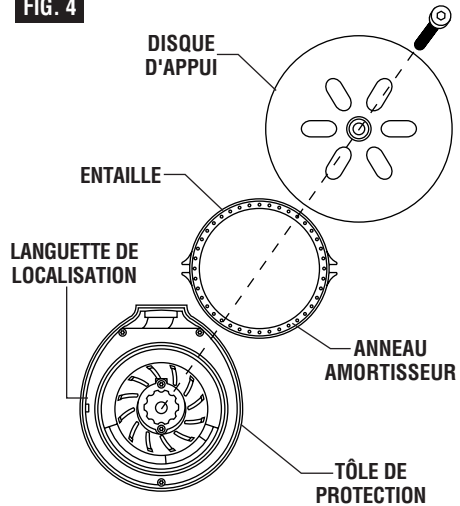
**REMARQUE :** Si vous observez que la vitesse sans charge augmente progressivement, ceci signifie que l'anneau amortisseur est usé et doit être remplacé.

Pour remplacer l'anneau amortisseur, enlevez le disque d'appui comme décrit dans la section « Pose du disque d'appui » et retirez l'anneau amortisseur usé en le tirant fermement hors de la rainure de positionnement. Alignez l'entaille sur l'anneau amortisseur avec la languette de localisation sur la tôle de protection et appuyez sur l'anneau avec les pouces jusqu'à ce que la tôle de protection repose dans la rainure tout autour de l'anneau (Fig. 4)

Rattachez le disque d'appui comme indiqué sous la rubrique « Pose du disque d'appui ».

**IMPORTANT :** L'anneau ne doit pas présenter de courbes ni d'ondulations lorsqu'il est calé correctement.

FIG. 4



## Ramassage de la poussière

### RÉSERVOIR À POUSSIÈRE MICRO FILTRANT

Le système de ramassage de poussière intégré stocke la poussière dans le réservoir fourni avec votre ponceuse. Pour en maximiser le rendement, il convient de vider le réservoir fréquemment pendant le ponçage.

**AVERTISSEMENT** Votre outil est muni d'un réservoir à poussière, videz-le fréquemment, après avoir fini de poncer et avant de ranger la ponceuse. Soyez très prudents quand vous jetez la poussière. Les matériaux sous forme de fines particules peuvent être explosifs. Ne jetez pas la poussière sur une flamme nue. Il y a risque de combustion de vernis, laques, polyuréthane, huile ou eau mélangés avec des particules de poussière en présence d'une décharge électrostatique, d'une étincelle introduite dans la boîte ou de chaleur excessive.

### DÉMONTAGE ET REMONTAGE DU RÉSERVOIR À POUSSIÈRE

Pour fixer le récipient à poussière, faites coulisser le support du récipient dans le sens de la flèche (A) jusqu'à ce qu'il bute. Insérez l'attache de fixation dans l'évidement du récipient. Ensuite enfillez le support du récipient sur l'attache de fixation dans le sens de la flèche (B) et enfoncez le récipient sur le raccord d'aspiration (Fig. 5).

Pour enlever le réservoir à poussière : Appuyez sur les languettes de déblocage situées des deux côtés du réservoir et tirez sur ce dernier pour le sortir de l'outil (Fig. 6).

FIG. 5

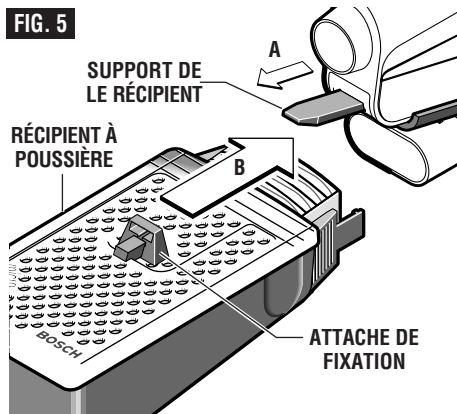
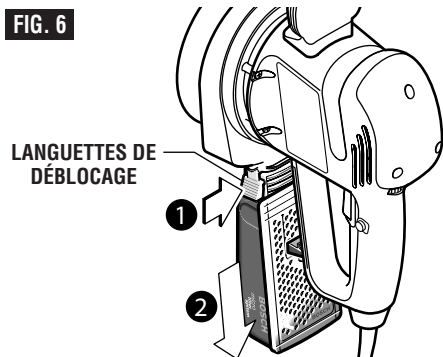


FIG. 6



### NETTOYAGE ET VIDAGE DU RÉCIPIENT À POUSSIÈRE

Il est recommandé de détacher la poussière qui adhère au microfiltre en le tapotant doucement contre une surface solide (Fig. 7).

Pour vider le récipient à poussière, soulever le couvercle, tapotez le micro-filtre pour en faire tomber l'excès de poussière ou essuyez la poussière avec les doigts ou une brosse douce (Fig. 8).

FIG. 7

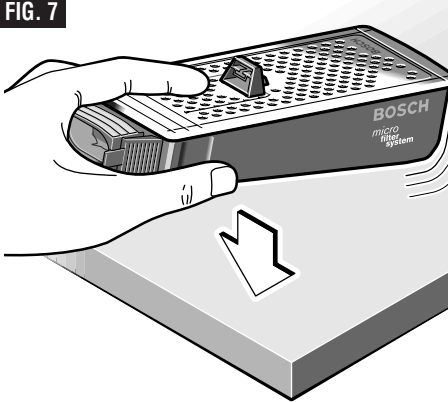
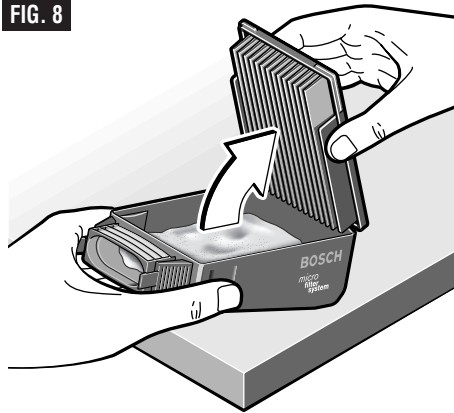


FIG. 8

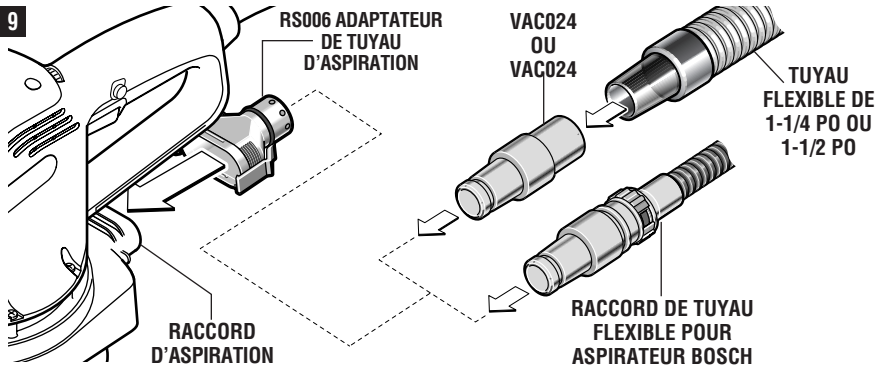


### RACCORDEMENT D'UN TUYAU D'ASPIRATION

Lorsque le réservoir est retiré de l'outil, un adaptateur de tuyau flexible d'aspirateur RS006 (en option) peut être attaché au raccord d'aspiration. Pour utiliser cette fonctionnalité, attachez l'adaptateur de tuyau flexible d'aspirateur au raccord d'aspiration, et attachez un

tuyau flexible d'aspirateur Bosch à l'adaptateur. Pour connecter l'adaptateur à un tuyau flexible d'aspirateur de 1-1/4 po ou de 1-1/2 po, un adaptateur de tuyau flexible Bosch VAC002 ou VAC024 est également nécessaire (Fig. 9).

FIG. 9



## Consignes de fonctionnement

### GACHETTE DE COMMANDE

Pour mettre l'outil en marche, serrez la gâchette de commande. Pour l'arrêter, relâchez tout simplement la gâchette. L'interrupteur, qui est à ressort, retournera automatiquement à la position d'arrêt (Fig. 1).

Si vous voulez que l'interrupteur dure davantage, évitez de l'actionner alors que l'outil est sous charge.

### BOUTON DE BLOCAGE EN MARCHÉ

Le bouton de blocage en marche, situé près de la gâchette, assure le fonctionnement continu à la vitesse maximale sans appuyer sur la gâchette (Fig. 1).

**POUR BLOQUER LA GÂCHETTE EN MARCHÉ:** enfoncez la gâchette, appuyez sur le bouton et relâchez la gâchette.

**POUR DÉBLOQUER LA GÂCHETTE:** enfoncez et relâchez la gâchette sans appuyer sur le bouton de blocage en marche.

**AVERTISSEMENT** Le relâchement de la gâchette est impossible si le bouton de blocage en marche est maintenu enfoncé.

### VARIATEUR DE VITESSE A CADRAN

Votre ponceuse est aussi équipée d'un variateur de vitesse à cadran. En tournant le cadran du boîtier, il est possible de régler la vitesse orbitale du disque d'appui depuis le repos jusqu'au nombre maximal d'orbites par minute inscrit sur la plaquette emblématique. Le cadran peut être réglé sur ou entre n'importe lequel des six repères (1 = lent à 6 = rapide). De même, le bouton de blocage en marche peut être utilisé avec tout réglage du cadran.

Généralement, vous pouvez vous guider sur le tableau suivant quant au choix des disque abrasif et disque d'appui, mais un essai préalable sur une retaille produira de meilleurs résultats.

Matériau	Réglage du cadran		Disque d'appui	N° du grain
	brut/fini			
<b>bois:</b>				
bois mous	4 / 6		extra souple	60/240
bois durs	4 / 6		souple	60/180
contreplaqué	4		extra souple	240/320
<b>métaux:</b>				
acier	4		souple	60 / 240
acier inoxydable	4		souple	120/240
aluminium	4 / 6		souple	80/240
taches de rouille	6		extra souple	60/120
<b>peinture:</b>				
ponçage	2 / 3		souple	180/400
égratignures	4 / 6		ferme	120/240
décapage	4		souple	40/60/80

## Conseils pratiques

### SÉLECTION DES DISQUES DE PONÇAGE

L'usage de disques de ponçage d'alumine à revêtement ouvert est recommandé pour la plupart des travaux de ponçage du bois ou des métaux, étant donné que ce matériel synthétique est passablement résistant et travaille en rapidité. Certains travaux, tels que la finition des plastiques, du verre ou de la pierre exigent l'usage de disques au carbure de silicone dont le rebord est très coupant. Pour de meilleurs résultats, utilisez les accessoires de ponçage et de polissage Bosch qui sont de qualité supérieure et sont choisis soigneusement de manière à produire des résultats de qualité professionnelle avec votre ponceuse.

### DÉBUT DU PONÇAGE

Quand le matériau est fermement en place, placez le disque sur la surface de travail, puis mettez l'outil en marche. NE pesez PAS à l'excès car vous ralentirez le disque et, surtout, NE mettez PAS l'outil en marche et n'accélérez pas avant de le poser sur la surface; dans un cas comme dans l'autre, vous produirez des tourbillons.

### ACTION DE PONÇAGE

Cette ponceuse a une action de ponçage aléatoire optimisée. Le disque tourne librement en orbite, reproduisant l'action naturelle de ponçage à la main afin de permettre un enlèvement agressif de matériau et une finition bien mélangée et en douceur de la surface. Le déport de l'orbite pour cet outil est de 2 mm (5/64 po).

Généralement, le ponçage à haute vitesse produit les meilleurs résultats. Si un retrait plus rapide est désiré, NE FAITES PAS PRESSION SUR L'OUTIL ; Optez plutôt pour un disque à grain plus gros. Déplacez la ponceuse par de longues courses de balayage, en parallèle au grain du bois, en ayant recours à un certain mouvement latéral en vue de chevaucher les courses dans une proportion allant jusqu'à 75 %. L'action orbitale aléatoire permet de poncer perpendiculairement aux fibres, mais prenez garde de ne pas incliner la ponceuse près des bords pour ne pas les arrondir involontairement.

### SÉQUENCE DE PONÇAGE

Si la surface est rugueuse, commencez avec un disque à grain plus gros, puis finissez avec un à grain moyen suivi d'un à grain fin. Étant donné que l'action orbitale aléatoire est si efficace, il est souvent possible de commencer avec un disque de ponçage à grain moyen et passer directement à la finition. Pour éviter de gouger la surface, ne «sautez» pas plus d'une grosseur de grain quand vous passez d'un plus gros grain à un plus fin; ne vous attardez pas trop longtemps au même endroit non plus.

### RETRAIT DE LA PONCEUSE

Pour éviter de laisser des marques en forme de spirale à la fin du ponçage, soulevez doucement l'outil de la surface de travail, puis mettez l'outil à l'arrêt.



### POLISSAGE

La plupart du temps, le disque d'appui extra souple vous donnera les meilleurs résultats. La ponceuse à orbite aléatoire peut être équipée d'un tampon mousse à polir ou d'une coiffe à polir pour enlever les égratignures des surfaces peintes, des finis, des plastiques et même du verre. Le mode d'emploi est pratiquement le même que celui du ponçage sauf les points suivants:

Pour enlever les égratignures et restaurer les finis altérés par les intempéries, appliquez, sans trop peser, d'un mouvement circulaire, la pâte à l'aide d'un tampon éponge. N'utilisez pas plus de pâte qu'il faut et nettoyez l'éponge fréquemment.

Lorsque le polissage initial est terminé, essayez l'excès de pâte avec une serviette douce, puis finissez de polir la surface avec la coiffe. Pour de meilleurs résultats, chevauchez délicatement vos courses.

Il importe de noter que la vitesse de l'orbite de la ponceuse à orbite aléatoire n'est pas la même que celle d'une polisseuse d'angle standard. L'action de l'orbite aléatoire se compare favorablement à celle d'un puissant polissage à la main et, en conséquence, se dispense des hautes vitesses à la circonférence du disque qui peuvent brûler la surface. C'est la raison pour laquelle il est possible d'utiliser cette ponceuse à un régime «OPM» supérieur à celui recommandé pour une polisseuse standard. Exercez-vous sur une partie dissimulée ou une surface d'essai jusqu'à ce que vous ayez établi que l'outil convient à votre application de polissage.

Nettoyez le disque et tampon à polir avec un détergent doux et de l'eau tiède. N'utilisez PAS de dissolvants.

## Entretien

### Service

**AVERTISSEMENT** Tout entretien préventif non autorisés peut résulter en mauvais placement de fils internes ou de pièces, ce qui peut présenter un danger grave. Nous vous conseillons de faire faire tout l'entretien par un centre de service d'usine Bosch ou une station service agréée Bosch.

### LUBRIFICATION DE L'OUTIL

Votre outil Bosch a été lubrifié correctement en usine et il est prêt à l'utilisation. Nous vous conseillons de re-graisser les outils qui comportent des engrenages avec un lubrifiant à engrenages spécial à chaque fois que vous changez les balais.

### BALAIS OU CHARBONS

Les balais (ou charbons) et le collecteur de votre outil ont été conçus pour apporter de nombreuses heures de fonctionnement fiable. Pour maintenir le rendement du moteur à son maximum, nous vous conseillons de contrôler les balais tous les deux à six mois. Il ne faut utiliser que des balais de rechange Bosch d'origine et conçus pour votre outil.

### PALIER

Si les paliers commencent à faire du bruit (à cause de surcharges importantes ou du toupillage de matériaux très abrasifs) il faut les faire remplacer immédiatement pour éviter la surchauffe ou une panne de moteur.

### Nettoyage

**AVERTISSEMENT** Pour éviter les accidents, il faut toujours débrancher l'outil avant de le nettoyer ou de l'entretenir. Le meilleur moyen de nettoyer l'outil est d'utiliser de l'air comprimé sec. Il faut toujours porter des lunettes de protection quand on utilise de l'air comprimé.

Les ouïes de ventilation et les leviers de l'interrupteur doivent rester propres et exempts de corps étrangers. Ne tentez pas de les nettoyer en enfonçant des objets pointus dans les orifices.

**MISE EN GARDE** Certains agents de nettoyages et certains dissolvants abîment les pièces en plastique. Parmi ceux-ci se trouvent: l'essence, le tétrachlorure de carbone, les dissolvants de nettoyage chlorés, l'ammoniaque ainsi que les détergents domestiques qui en contiennent.



## Cordons de rallonge

**⚠ AVERTISSEMENT** Si un cordon de rallonge s'avère nécessaire, vous devez utiliser un cordon avec conducteurs de dimension adéquate pouvant porter le courant nécessaire à votre outil. Ceci prévient une chute excessive de tension, une perte de courant ou une surchauffe. Les outils mis à la terre doivent utiliser des cordons de rallonge trifilaires pourvus de fiches à trois broches ainsi que des prises à trois broches.

**REMARQUE** : Plus le calibre est petit, plus le fil est gros.

### DIMENSIONS DE RALLONGES RECOMMANDÉES OUTILS 120 VOLTS COURANT ALTERNATIF

Intensité nominale de l'outil	Calibre A.W.G.				Calibre en mm <sup>2</sup>			
	Longueur en pieds				Longueur en mètres			
	25	50	100	150	15	30	60	120
3-6	18	16	16	14	0,75	0,75	1,5	2,5
6-8	18	16	14	12	0,75	1,0	2,5	4,0
8-10	18	16	14	12	0,75	1,0	2,5	4,0
10-12	16	16	14	12	1,0	2,5	4,0	—
12-16	14	12	—	—	—	—	—	—

## Accessoires et compléments

- \* Clé hexagonale coudée 5 mm
- \* Récipient à poussière
- \* Poignée auxiliaire
- \* Disque d'appui souple
- \*\* Disque d'appui extra souple
- \*\* Disque d'appui ferme
- \*\* Disques de ponçage

- \*\* Adaptateur de tuyau d'aspiration (extrémité outil)
  - \*\* Adaptateur de tuyau d'aspiration (extrémité de le récipient)
  - \*\* Flexible d'aspirateur
  - \*\* Étui
- (\* = équipement de série)  
(\*\* = accessoires optionnels)



## Advertencias generales de seguridad para herramientas mecánicas

### **⚠ ADVERTENCIA**

Lea todas las advertencias de seguridad y todas las instrucciones. Si no se siguen las advertencias e instrucciones, el resultado podría ser sacudidas eléctricas, incendio y/o lesiones graves.

### **GUARDE TODAS LAS ADVERTENCIAS E INSTRUCCIONES PARA REFERENCIA FUTURA**

La expresión “herramienta mecánica” en las advertencias se refiere a su herramienta mecánica alimentada por la red eléctrica (herramienta alámbrica) o su herramienta mecánica alimentada por baterías (herramienta inalámbrica).

#### **Seguridad del área de trabajo**

**Mantenga el área de trabajo limpia y bien iluminada.**

Las áreas desordenadas u oscuras invitan a que se produzcan accidentes.

**No utilice herramientas mecánicas en atmósferas explosivas, como por ejemplo en presencia de líquidos, gases o polvos inflamables.** Las herramientas mecánicas generan chispas que pueden incendiar el polvo o los vapores.

**Mantenga alejados a los niños y a las personas que estén presentes mientras esté utilizando una herramienta mecánica.** Las distracciones pueden hacerle perder el control de la herramienta.

#### **Seguridad eléctrica**

**Los enchufes de las herramientas mecánicas deben coincidir con el tomacorriente. No modifique nunca el enchufe de ningún modo. No use enchufes adaptadores con herramientas mecánicas conectadas a tierra (puestas a tierra).** Los enchufes no modificados y los tomacorrientes coincidentes reducirán el riesgo de sacudidas eléctricas.

**Evite el contacto del cuerpo con las superficies conectadas o puestas a tierra, tales como tuberías, radiadores, estufas y refrigeradores.** Hay un aumento del riesgo de sacudidas eléctricas si el cuerpo del operador se conecta o pone a tierra.

**No esponga las herramientas mecánicas a la lluvia o a condiciones mojadas.** La entrada de agua en una herramienta mecánica aumentará el riesgo de que se produzcan sacudidas eléctricas.

**No maltrate el cordón de energía. No use nunca el cordón para transportar la herramienta mecánica, tirar de ella o desenchufarla. Mantenga el cordón alejado del calor, el aceite, los bordes afilados o las piezas móviles.** Los cordones dañados o enganchados aumentan el riesgo de que se produzcan sacudidas eléctricas.

**Cuando utilice una herramienta mecánica en el exterior, use un cordón de extensión adecuado para uso a la intemperie.** La utilización de un cordón adecuado para uso a la intemperie reduce el riesgo de que se produzcan sacudidas eléctricas.

**Si es inevitable utilizar una herramienta mecánica en un lugar húmedo, utilice una fuente de energía**

**protegida por un interruptor de circuito accionado por corriente de pérdida a tierra (GFCI).** El uso de un GFCI reduce el riesgo de sacudidas eléctricas.

#### **Seguridad personal**

**Manténgase alerta, fíjese en lo que está haciendo y use el sentido común cuando esté utilizando una herramienta mecánica. No use una herramienta mecánica cuando esté cansado o bajo la influencia de drogas, alcohol o medicamentos.** Un momento de distracción mientras esté utilizando herramientas mecánicas podría causar lesiones corporales graves.

**Use equipo de protección personal. Use siempre protección de los ojos.** El equipo de protección, como por ejemplo una máscara antipolvo, calzado de seguridad antideslizante, casco o protección de oídos, utilizado para las condiciones apropiadas, reducirá las lesiones corporales.

**Evite el arranque accidental. Asegúrese de que el interruptor esté en la posición de apagado antes de conectar la herramienta a la fuente de energía y / o al paquete de batería, levantar la herramienta o transportarla.** Transportar herramientas mecánicas con un dedo en el interruptor o encender herramientas mecánicas que tengan el interruptor en la posición de encendido invita a que se produzcan accidentes.

**Quite todas las llaves de ajuste o de tuerca antes de encender la herramienta mecánica.** Una llave de tuerca o de ajuste que se deje colocada en una pieza giratoria de la herramienta mecánica podría causar lesiones corporales.

**No intente alcanzar demasiado lejos. Mantenga un apoyo de los pies y un equilibrio apropiados en todo momento.** Esto permite controlar mejor la herramienta mecánica en situaciones inesperadas.

**Vístase adecuadamente. No use ropa holgada ni alhajas holgadas. Mantenga el pelo, la ropa y los guantes alejados de las piezas móviles.** La ropa holgada, las alhajas holgadas o el pelo largo pueden quedar atrapados en las piezas móviles.

**Si se proporcionan dispositivos para la conexión de instalaciones de extracción y recolección de polvo, asegúrese de que dichas instalaciones estén conectadas y se usen correctamente.** El uso de dispositivos de recolección de polvo puede reducir los peligros relacionados con el polvo.



## Uso y cuidado de las herramientas mecánicas

**No fuerce la herramienta mecánica. Use la herramienta mecánica correcta para la aplicación que desee realizar.** La herramienta mecánica correcta hará el trabajo mejor y con más seguridad a la capacidad nominal para la que fue diseñada.

**No use la herramienta mecánica si el interruptor no la enciende y apaga.** Toda herramienta mecánica que no se pueda controlar con el interruptor es peligrosa y debe ser reparada.

**Desconecte el enchufe de la fuente de energía y/o el paquete de batería de la herramienta mecánica antes de hacer cualquier ajuste, cambiar accesorios o almacenar herramientas mecánicas.** Dichas medidas preventivas de seguridad reducen el riesgo de arrancar accidentalmente la herramienta mecánica.

**Guarde las herramientas que no esté usando fuera del alcance de los niños y no deje que personas que no estén familiarizadas con la herramienta mecánica o con estas instrucciones utilicen la herramienta.** Las herramientas mecánicas son peligrosas en manos de usuarios que no hayan recibido capacitación.

**Mantenga las herramientas mecánicas. Compruebe si hay piezas móviles desalineadas o que se atoran, si**

**hay piezas rotas y si existe cualquier otra situación que podría afectar el funcionamiento de la herramienta mecánica. Si la herramienta mecánica está dañada, haga que la reparen antes de usarla.** Muchos accidentes son causados por herramientas mecánicas mantenidas deficientemente.

**Mantenga las herramientas de corte afiladas y limpias.** Es menos probable que las herramientas de corte mantenidas apropiadamente, con bordes de corte afilados, se atoren, y dichas herramientas son más fáciles de controlar.

**Utilice la herramienta mecánica, los accesorios, las brocas de la herramienta, etc., de acuerdo con estas instrucciones, teniendo en cuenta las condiciones de trabajo y el trabajo que se vaya a realizar.** El uso de la herramienta mecánica para operaciones distintas a aquéllas para las que fue diseñada podría causar una situación peligrosa.

### Servicio de ajustes y reparaciones

**Haga que su herramienta mecánica reciba servicio de un técnico de reparaciones calificado, utilizando únicamente piezas de repuesto idénticas.** Esto asegurará que se mantenga la seguridad de la herramienta mecánica.

## Normas de seguridad para lijadoras de órbita al azar

**Desenchufe la lijadora antes de cambiar accesorios.** Se pueden producir arranques accidentales si la lijadora está enchufada mientras se cambia un accesorio.

**Si su herramienta está equipada con una bolsa para polvo, vacíela frecuentemente y después de terminar de lijar.** Sea extremadamente cuidadoso al eliminar el polvo, ya que los materiales en forma de partículas finas pueden ser explosivos. No tire el polvo resultante del lijado a un fuego abierto. Al cabo del tiempo se puede producir una combustión espontánea como consecuencia de la mezcla de aceite o agua con las partículas de polvo.

**Use siempre protección para los ojos y una máscara antipolvo para aplicaciones que generen polvo y al lijar en alto.** Las partículas resultantes del lijado pueden ser absorbidas por los ojos e inhaladas fácilmente y pueden causar complicaciones de salud.

**No lije en mojado con esta lijadora.** La entrada de líquidos en la caja del motor constituye un peligro de sacudidas eléctricas.

**No utilice la zapata de PSA en lijadoras de órbita al azar cuya velocidad exceda de 12,000 RPM/min.** Si se excede la velocidad máxima de funcionamiento de

la zapata, ésta puede romperse o salir despedida durante el uso, golpeando al usuario o a las personas que se encuentren presentes.

**No use papel de lija diseñado para zapatas de lijar más grandes.** El papel de lija más grande sobresaldrá de la zapata de lijar, causando atasco y rasgado del papel o retroceso. El papel extra que sobresalga de la zapata de lijar también puede causar laceraciones graves.

**Conozca la ubicación y la posición del botón de "Fijación en ON" del interruptor.** Si el interruptor está fijado en la posición "ON" (encendido), esté preparado para cambiarlo a "OFF" (apagado) en situaciones de emergencia, apretando primero el gatillo y soltándolo inmediatamente después sin oprimir el botón de "Fijación en ON".

**Fije con abrazaderas o asegure la pieza de trabajo al lijar.** Al fijar con abrazaderas la pieza de trabajo se evita que ésta salga despedida de debajo de la lijadora y se dejan libres las dos manos para controlar la herramienta.

**Mantenga el cordón alejado de la zapata y del papel de lija que giran.** El cordón se puede enredar en la zapata.



## Advertencias de seguridad adicionales

Un GFCI y los dispositivos de protección personal, como guantes de goma y calzado de goma de electricista, mejorarán más su seguridad personal.

**No use herramientas mecánicas con capacidad nominal solamente para CA con una fuente de energía de CC.** Aunque pueda parecer que la herramienta funciona correctamente, es probable que los componentes eléctricos de la herramienta con capacidad nominal para CA fallen y creen un peligro para el operador.

**Mantenga los mangos secos, limpios y libres de aceite y grasa.** Las manos resbalosas no pueden controlar de modo seguro la herramienta mecánica.

**Desarrolle un programa de mantenimiento periódico de la herramienta. Cuando limpie una herramienta, tenga cuidado de no desmontar ninguna de sus partes, ya que los cables internos podrían reubicarse incorrectamente o pellizcarse, o los resortes de retorno de los protectores de seguridad podrían montarse incorrectamente.** Ciertos agentes de limpieza, tales como gasolina, tetracloruro de carbono, amoníaco, etc., podrían dañar las piezas de plástico.

Riesgo de lesiones para el usuario. El cordón de energía debe recibir servicio de ajustes y reparaciones solamente por un Centro de Servicio de Fábrica Bosch o una Estación de Servicio Bosch Autorizada.

**⚠ ADVERTENCIA** Cierta polvo generado por el lijado, aserrado, amolado y taladrado mecánicos, y por otras actividades de construcción, contiene agentes químicos que se sabe que causan cáncer, defectos de nacimiento u otros daños sobre la reproducción. Algunos ejemplos de estos agentes químicos son:

- Plomo de pinturas a base de plomo,
- Sílice cristalina de ladrillos y cemento y otros productos de mampostería, y
- Arsénico y cromo de madera tratada químicamente.

Su riesgo por causa de estas exposiciones varía, dependiendo de con cuánta frecuencia realice este tipo de trabajo. Para reducir su exposición a estos agentes químicos: trabaje en un área bien ventilada y trabaje con equipo de seguridad aprobado, como por ejemplo máscaras antipolvo que estén diseñadas especialmente para impedir mediante filtración el paso de partículas microscópicas.



## Símbolos

**IMPORTANTE:** Es posible que algunos de los símbolos siguientes se usen en su herramienta. Por favor, estúdielos y aprenda su significado. La interpretación adecuada de estos símbolos le permitirá utilizar la herramienta mejor y con más seguridad.

Símbolo	Nombre	Designación/explicación
V	Volt	Tensión (potencial)
A	Ampere	Corriente
Hz	Hertz	Frecuencia (ciclos por segundo)
W	Watt	Potencia
kg	Kilogramo	Peso
min	Minuto	Tiempo
s	Segundo	Tiempo
$\varnothing$	Diámetro	Tamaño de las brocas taladradoras, muelas, etc
$n_0$	Velocidad sin carga	Velocidad rotacional sin carga
n	Velocidad nominal	Máxima velocidad obtenible
.../min	Revoluciones o alternación por minuto	Revoluciones, golpes, velocidad de superficie, órbitas, etc., por minuto
0	Posición "off" (apagado)	Velocidad cero, par motor cero...
1, 2, 3, ... I, II, III,	Graduaciones del selector	Graduaciones de velocidad, par motor o posición. Un número más alto significa mayor velocidad
	Selector infinitamente variable con apagado	La velocidad aumenta desde la graduación de 0
	Flecha	Acción en la dirección de la flecha
	Corriente alterna	Tipo o una característica de corriente
	Corriente continua	Tipo o una característica de corriente
	Corriente alterna o continua	Tipo o una característica de corriente
	Construcción de clase II	Designa las herramientas de construcción con aislamiento doble.
	Terminal de toma de tierra	Terminal de conexión a tierra
	Símbolo de advertencia	Alerta al usuario sobre mensajes de advertencia
	Sello RBRC de Li-ion	Designa el programa de reciclaje de baterías de Li-ion
	Sello RBRC de Ni-Cd	Designa el programa de reciclaje de baterías de Ni-Cd
	Símbolo de lectura del manual	Alerta al usuario para que lea el manual
	Símbolo de uso de protección de los ojos	Alerta al usuario para que use protección de los ojos



## Símbolos (continuación)

**IMPORTANTE:** Es posible que algunos de los símbolos siguientes se usen en su herramienta. Por favor, estúdielos y aprenda su significado. La interpretación adecuada de estos símbolos le permitirá utilizar la herramienta mejor y con más seguridad.



Este símbolo indica que esta herramienta está catalogada por Underwriters Laboratories.



Este símbolo indica que esta herramienta está reconocida por Underwriters Laboratories.



Este símbolo indica que Underwriters Laboratories ha catalogado esta herramienta indicando que cumple con las normas estadounidenses y canadienses.



Este símbolo indica que esta herramienta está catalogada por la Canadian Standards Association.



Este símbolo indica que la Canadian Standards Association ha catalogado esta herramienta indicando que cumple con las normas estadounidenses y canadienses.



Este símbolo indica que Intertek Testing Services ha catalogado esta herramienta indicando que cumple con las normas estadounidenses y canadienses.



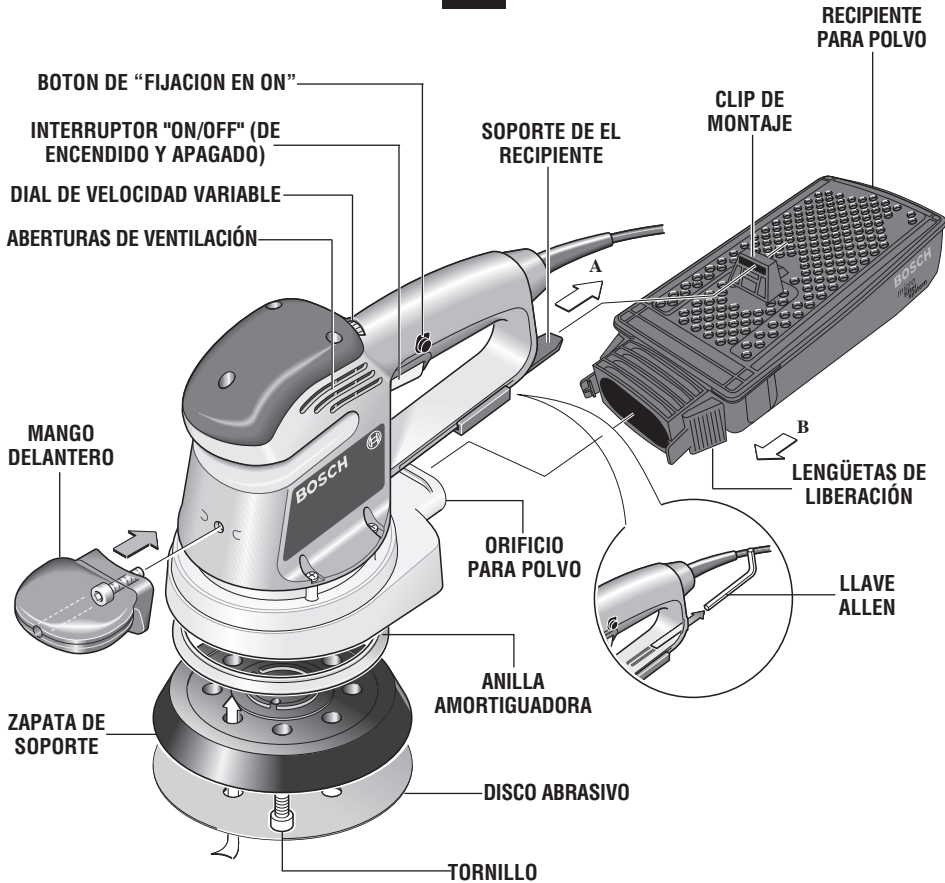
Este símbolo indica que esta herramienta cumple con la norma mexicana oficial (NOM).

## Descripción funcional y especificaciones

**ADVERTENCIA** Desconecte el enchufe de la fuente de energía antes de realizar cualquier ensamblaje o ajuste, o cambiar accesorios. Estas medidas de seguridad preventivas reducen el riesgo de arrancar la herramienta accidentalmente.

### Lijadora de órbita al azar

**FIG. 1**



Número de modelo	3725DEVS	3727DEVS
Diámetro de la zapata	** (125 mm)	** (150 mm)
Diámetro del abrasivo	** (125 mm)	** (150 mm)

( \*\* = NOTA: Las zapatas de 5" y 6" no son intercambiables.)

**NOTA:** Para obtener las especificaciones de la herramienta, consulte la placa del fabricante colocada en la herramienta.

## Ensamblaje

### INSTALACION DE LA ZAPATA DE SOPORTE

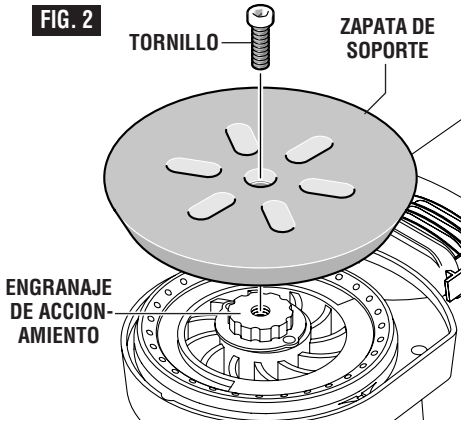
La lijadora de órbita al azar está equipada con una zapata de soporte de dureza blanda, la cual es adecuada para servicio general. Hay zapatas duras y extra blandas disponibles para otros propósitos y en general se utilizan de la manera siguiente:

**Zapata extra blanda** - Pulido o lijado de superficies grandes o curvadas.

**Zapata blanda** - Lijado y pulido generales para todo propósito.

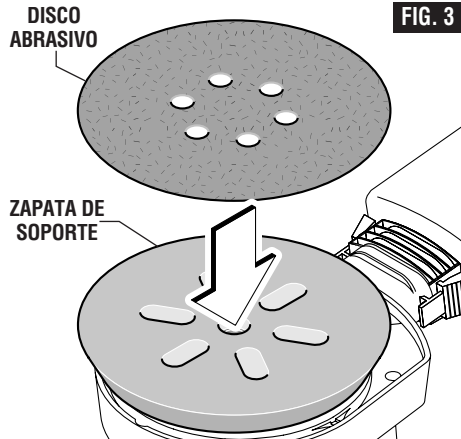
**Zapata dura** - Lijado fuerte sobre superficies planas, especialmente con abrasivos más gruesos.

Para cambiar la zapata de refuerzo, sostenga firmemente la zapata y, utilizando una llave hexagonal de 5 mm, quite el tornillo que sujeta firmemente la zapata de refuerzo y retire la zapata vieja. Alinee la zapata nueva sobre el engranaje de accionamiento ubicado en el husillo de accionamiento. **Atención:** Asegúrese siempre de que los dientes del engranaje de accionamiento se acoplen en las aberturas de la zapata de refuerzo. Reinstale el tornillo y apriételo firmemente. Las zapatas de refuerzo dañadas o desgastadas se deben reemplazar de inmediato (Fig. 2).



### INSTALACION DE ACCESORIOS

La lijadora de órbita al azar utiliza accesorios con soporte de enganche y cierre, los cuales agarran firmemente la zapata cuando se aplican con una presión moderada. Para cambiar el accesorio, simplemente despegue el accesorio viejo, quite el polvo de la zapata si es necesario y presione sobre el accesorio nuevo para colocarlo en su sitio. Asegúrese de alinear los agujeros del disco de lijar con los agujeros de la zapata de soporte para permitir que el sistema de extracción de polvo funcione (Fig. 3).



Después de un servicio considerable, la superficie de la zapata se desgastará y la zapata se debe cambiar cuando ya no ofrezca un agarre firme. Si se produce un desgaste prematuro del refrentado de la zapata, reduzca la cantidad de presión que usted ejerce durante la utilización de la herramienta.

### MANGO DELANTERO

La lijadora está equipada con un mango delantero extraíble para poder para lijar en espacios reducidos. Para quitar el mango, saque el tornillo con la llave Allen. Vuelva a instalar siempre el mango para la

utilización normal. Según el trabajo, puede agarrar el mango trasero solo, el mango trasero y el mango delantero o el mango trasero y la parte superior de la caja del motor de agarre suave con contorno ergonómico, que está diseñada para ese fin (Fig. 1).



### AMORTIGUADOR DE LA ZAPATA DE SOPORTE

La herramienta está equipada con una anilla amortiguadora integral de la zapata de soporte. Este amortiguador reduce la velocidad sin carga, lo cual ayuda a evitar que se formen marcas de remolino en la superficie de la pieza de trabajo y proporciona un acabado uniforme.

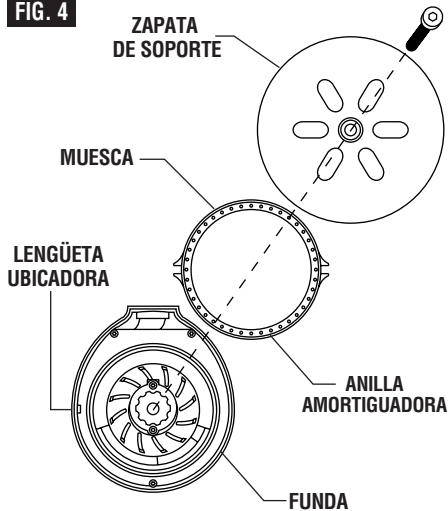
**NOTA:** Si observa un aumento constante de la velocidad sin carga, esto indica que la anilla amortiguadora está desgastada y que hay que cambiarla.

Para cambiar la anilla amortiguadora, quite la zapata de soporte tal como se describe en "Instalación de la zapata de soporte" y quite la anilla amortiguadora desgastada tirando de ella firmemente hacia afuera hasta sacarla de la ranura posicionadora. Alinee la muesca de la anilla del amortiguador con la lengüeta ubicadora con la ranura posicionadora situada en la funda y presione la anilla con los pulgares hasta que la funda se asiente en la ranura completamente alrededor del anillo (Fig. 4).

Reinstale la zapata de soporte de la manera descrita en "Instalación de la zapata de soporte"

**IMPORTANTE:** La anilla no debe estar combada ni tener ondulaciones cuando esté asentada correctamente.

FIG. 4



## Recolección de polvo

### BOTE PARA POLVO CON MICROFILTRO

El sistema de extracción de polvo integral recolecta el polvo generado por el lijado en el bote provisto con la lijadora. Para lograr la máxima eficacia, el bote para polvo se debe vaciar frecuentemente durante la operación.

**ADVERTENCIA** La herramienta está equipada con un bote para polvo. Vacíelo frecuentemente, después de completar la operación de lijado y antes de almacenar la lijadora. Tenga sumo cuidado al deshacerse del polvo, ya que los materiales en forma de partículas finas pueden ser explosivos. No tire el polvo generado por el lijado a llamas al descubierto. Se puede producir combustión de la mezcla de barnices, lacas, poliuretano, aceite o agua con partículas de polvo si hay una descarga de electricidad estática, si se introduce una chispa en la caja o si hay calor excesivo.

### REMOCIÓN E INSTALACIÓN DEL BOTE PARA POLVO

Para acoplar el recipiente para polvo, deslice el soporte del recipiente en el sentido de la flecha (A) hasta que se detenga. Introduzca el clip de montaje en el bolsillo provisto en el recipiente. Luego, deslice el soporte del recipiente a través del clip de montaje en el sentido de la flecha (B) y empuje el recipiente sobre el orificio para polvo (Fig. 5).

Para quitar el bote para polvo, oprima las lengüetas de liberación ubicadas a ambos lados del bote y simplemente tire del bote para separarlo de la herramienta (Fig. 6).

FIG. 5

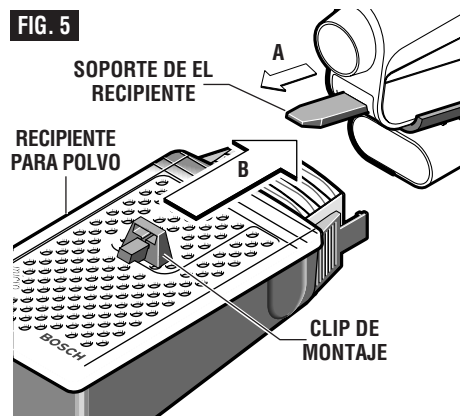
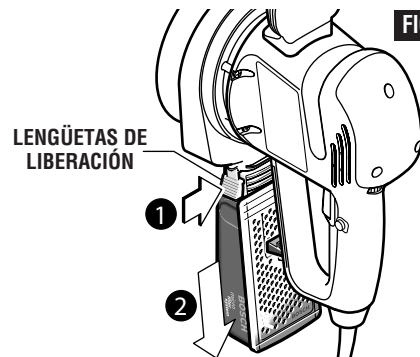


FIG. 6



### LIMPIEZA Y VACIADO DEL RECIPIENTE PARA POLVO

Se recomienda desprender el polvo del microfiltro golpeándolo suavemente contra una superficie maciza (Fig. 7).

Para vaciar la lata, levante la tapa de la lata. Haga salir el exceso de polvo del microfiltro dando golpecitos o quite el polvo con los dedos o con un cepillo suave (Fig. 8).

FIG. 7

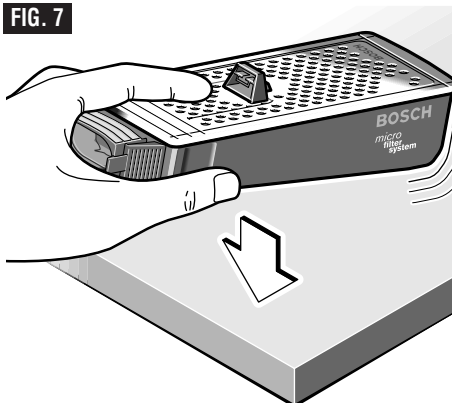
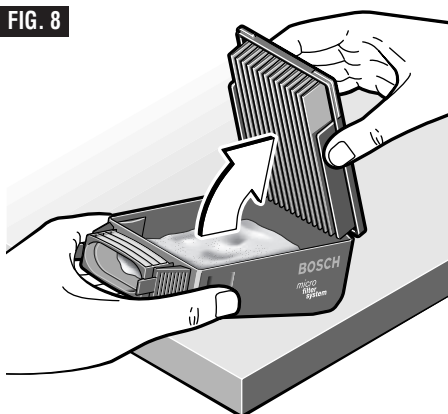


FIG. 8

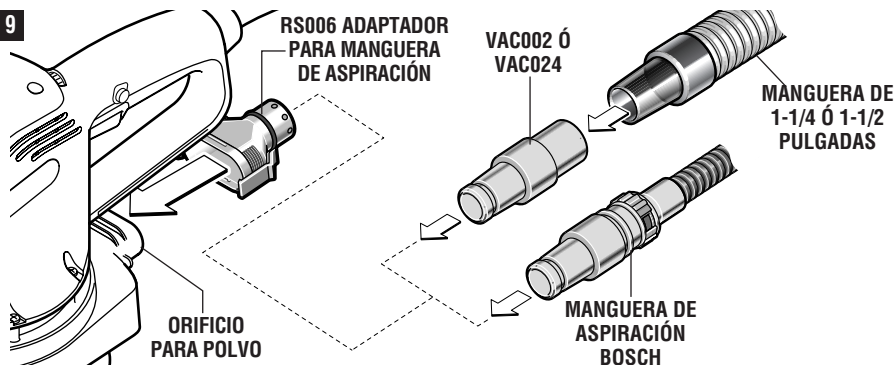


### COLOCACIÓN DE UNA MANGUERA DE ASPIRACIÓN

Cuando se haya quitado el bote para polvo de la herramienta, se puede acoplar un adaptador para manguera de aspiración RS006 (opcional) en el orificio para polvo. Para usar este dispositivo, conecte el adaptador para manguera de aspiración al orificio para

polvo y conecte una manguera de aspiradora Bosch al adaptador. Para conectar el adaptador a una manguera de aspiración de 1-1/4 ó 1-1/2 pulgadas, también se requiere un adaptador de manguera Bosch VAC002 o VAC024 opcional (Fig. 9).

FIG. 9



## Instrucciones de funcionamiento

### INTERRUPTOR GATILLO "ON/OFF" (DE ENCENDIDO Y APAGADO)

Para encender la herramienta (posición "ON"), apriete el interruptor gatillo. Para apagar la herramienta (posición "OFF"), suelte el interruptor gatillo que está

accionado por resorte y volverá a la posición "OFF" automáticamente. Para prolongar la vida del interruptor, no encienda ni apague el interruptor cuando la herramienta esté sometida a carga (Fig. 1).

**BOTON DE “FIJACION EN ON”**

El botón de “Fijación en ON”, ubicado cerca del gatillo, permite el funcionamiento continuo a OPM máximas sin sujetar el gatillo (Fig. 1).

PARA FIJAR EL GATILLO EN LA POSICION “ON”: apriete el gatillo, oprima el botón y suelte el gatillo.

PARA DESBLOQUEAR EL GATILLO: apriete el gatillo y suéltelo sin oprimir el botón de “Fijación en ON”.

**ADVERTENCIA** Si se oprime continuamente el botón de “Fijación en ON”, no se puede soltar el gatillo.

**VELOCIDAD VARIABLE CON AJUSTE DE DIAL**

La lijadora también está equipada con un dial de velocidad variable. La velocidad orbital de la zapata de la lijadora se puede fijar desde cero hasta las OPM máximas indicadas en la placa del fabricante girando el dial que está en la caja protectora. El dial se puede situar en una de seis posiciones o entre cualquiera de ellas (1=baja a 6=alta). El botón de “Fijación en ON” también se puede utilizar con cualquier posición del dial.

La tabla siguiente se puede utilizar como guía general para la selección del abrasivo y de la zapata de soporte, pero los mejores resultados se obtendrán lijando primero una muestra de prueba de la pieza de trabajo.

Material	Posición del interruptor	Zapata de soporte	Tamaño del grano
	basto/acabado		basto/acabado
<b>maderas:</b>			
maderas blandas	4/6	extra blanda	60/240
maderas duras	4/6	blanda	60/180
enchapados	4	extra blanda	240/320
<b>metales:</b>			
acero	4	blanda	60/240
inoxidable	4	blanda	120/240
aluminio	4/6	blanda	80/240
áreas de herrumbre	6	extra blanda	60/120
<b>piezas pintadas:</b>			
lijado	2/3	blanda	180/400
arañazos	4/6	dura	120/240
desferrado	4	blanda	40/60/80

**“Consejos para la herramienta”**

**SELECCIÓN DE DISCOS DE LIJAD**

Los discos de lijar de capa abierta de óxido de aluminio se recomiendan para la mayoría de las aplicaciones de lijado de madera o metal, ya que este material sintético corta rápidamente y resiste bien. Algunas aplicaciones, tales como el lijado de plásticos, vidrio o piedra requieren discos de carburo de silicio, que tienen un borde de corte muy afilado. Para obtener resultados óptimos, utilice accesorios de lijar y pulir Bosch, que son de calidad superior y se seleccionan cuidadosamente para producir resultados de calidad profesional con la lijadora.

**COMIENZO DEL LIJADO**

Con la pieza de trabajo sujeta firmemente, coloque la zapata sobre la superficie de trabajo y luego encienda la herramienta. NO ejerza una presión excesiva, ya que esto retardará la acción de la zapata y NO arranque la herramienta y deje que alcance toda su velocidad antes de aplicarla a la superficie de trabajo; en ambos casos se producirán marcas de remolino.

**ACCIÓN DE LIJADO**

Esta lijadora tiene una acción de lijado orbital optimizada. La zapata orbita y rota libremente, duplicando la acción de lijado natural con la mano para lograr una remoción de material agresiva y un acabado de la superficie liso y bien armonizado. La desviación orbital de esta herramienta es 2 mm (5/64 de pulgada).

En general, las velocidades más altas darán los mejores resultados. Si se desea una remoción más

rápida, NO EJERZA PRESIÓN SOBRE LA HERRAMIENTA; utilice un grado más grueso de abrasivo. Mueva la lijadora en pasadas de barrido largas, paralelas a la veta, utilizando un ligero movimiento lateral para superponer las pasadas hasta en un 75%. La acción de órbita al azar permite el lijado en dirección transversal a la veta, pero tenga cuidado de no inclinar la lijadora cerca de los bordes o se puede producir un redondeo no deseado.

**SECUENCIA DE LIJADO**

Si la superficie es áspera, comience con granos más gruesos y luego termine el alisamiento con abrasivos medianos y finos. Como la acción de órbita al azar es tan eficaz, a menudo es posible comenzar a lijar con un disco de grano mediano y pasar directamente al acabado fino. Para evitar resultados desiguales, no se salte más de un tamaño de grano cuando pase de más grueso a más fino, y no lije en un área demasiado tiempo.

**REMOCIÓN DE LA LIJADORA**

Cuando se haya acabado el trabajo, suelte el interruptor y al mismo tiempo levante suavemente la herramienta de la superficie de trabajo.

**PULIDO**

Para la mayoría de los trabajos de pulido, la zapata de soporte extra blanda producirá los mejores resultados. A la lijadora de órbita al azar se le puede colocar una zapata de pulir de espuma o una cubierta de pulir para pulir o quitar arañazos de superficies pintadas o

acabadas, plásticos e incluso vidrio. La herramienta se utiliza de manera muy parecida a como cuando se lija, pero se deben observar los puntos siguientes:

Aplique la pasta de pulir a la superficie y utilice la esponja aplicadora con una presión ligera y un movimiento circular para quitar arañazos y restaurar acabados desgastados por la intemperie. Utilice sólo tanta pasta como sea necesario y limpie la esponja frecuentemente durante su utilización.

Cuando se haya terminado el pulido inicial, limpie el exceso de pasta con una toalla suave y luego pula la superficie hasta su acabado final con la cubierta de pulir. Realice pasadas suaves y superpuestas para obtener mejores resultados.

Es importante mencionar que la velocidad orbital de la lijadora de órbita al azar no es la misma que las RPM

de una pulidora de ángulo recto estándar. La acción de órbita al azar es muy parecida a una poderosa acción de pulido a mano y por lo tanto no tiene al borde de la zapata las altas velocidades que pueden quemar la superficie de trabajo. Por esta razón, es posible seleccionar unas OPM más altas para la lijadora de órbita al azar que las RPM recomendadas para una pulidora estándar. Practique en un área oculta o en una superficie de prueba hasta que haya determinado que la herramienta es adecuada para la aplicación de pulido que desea realizar.

Limpie la zapata de pulir y la cubierta de pulir con detergentes suaves y agua tibia. NO utilice disolventes.

## Mantenimiento

### Servicio

**⚠ ADVERTENCIA** El mantenimiento preventivo realizado por personal no autorizado puede dar lugar a la colocación incorrecta de cables y componentes internos que podría constituir un peligro serio. Recomendamos que todo el servicio de las herramientas sea realizado por un Centro de servicio de fábrica Bosch o por una Estación de servicio Bosch autorizada.

### LUBRICACIÓN DE LAS HERRAMIENTAS

Su herramienta Bosch ha sido lubricada adecuadamente y está lista para la utilización. Se recomienda que las herramientas con engranajes se vuelvan a engrasar con un lubricante especial para engranajes en cada cambio de escobillas.

### ESCOBILLAS DE CARBÓN

Las escobillas y el conmutador de la herramienta han sido diseñados para muchas horas de servicio fiable. Para mantener un rendimiento óptimo del motor, recomendamos que cada dos a seis meses se examinen las escobillas. Sólo se deben usar escobillas de repuesto Bosch genuinas diseñadas específicamente para su herramienta.

### RODAMIENTOS

Los rodamientos que se vuelven ruidosos (debido a la pesada carga o al corte de materiales muy abrasivos) deben ser sustituidos inmediatamente para evitar el sobrecalentamiento o el fallo del motor.

### Limpieza

**⚠ ADVERTENCIA** Para evitar accidentes desconecte siempre la herramienta de la fuente de energía antes de la limpieza o de la realización de cualquier mantenimiento. La herramienta se puede limpiar más eficazmente con aire comprimido seco. Use gafas de seguridad siempre que limpie herramientas con aire comprimido.

Las aberturas de ventilación y las palancas de interruptor deben mantenerse limpias y libres de materias extrañas. No intente limpiar introduciendo objetos puntiagudos a través de las aberturas.

**⚠ PRECAUCIÓN** Ciertos agentes de limpieza y disolventes dañan las piezas de plástico. Algunos de estos son: gasolina, tetracloruro de carbono, disolventes de limpieza clorados, amoníaco y detergentes domésticos que contienen amoníaco.



## Cordones de extensión

**ADVERTENCIA** Si es necesario un cordón de extensión, se debe usar un cordón con conductores de tamaño adecuado que sea capaz de transportar la corriente necesaria para la herramienta. Esto evitará caídas de tensión excesivas, pérdida de potencia o recalentamiento. Las herramientas conectadas a tierra deben usar cordones de extensión de 3 hilos que tengan enchufes de 3 terminales y receptáculos para 3 terminales.

**NOTA:** Cuanto más pequeño es el número de calibre, más grueso es el cordón.

### TAMAÑOS RECOMENDADOS DE CORDONES DE EXTENSION HERRAMIENTAS DE 120 V CORRIENTE ALTERNA

Capacidad nominal en amperes de la herramienta	Tamaño del cordón en A.W.G.				Tamaños del cable en mm <sup>2</sup>			
	Longitud del cordón en pies				Longitud del cordón en metros			
	25	50	100	150	15	30	60	120
3-6	18	16	16	14	0,75	0,75	1,5	2,5
6-8	18	16	14	12	0,75	1,0	2,5	4,0
8-10	18	16	14	12	0,75	1,0	2,5	4,0
10-12	16	16	14	12	1,0	2,5	4,0	—
12-16	14	12	—	—	—	—	—	—

## Accesorios y aditamentos

- \* Llave Allen 5mm
- \* Recipiente para polvo
- \* Mango auxiliar
- \* Zapata de soporte blanda
- \*\* Zapata de soporte extra blanda
- \*\* Zapata de soporte dura
- \*\* Discos de lijar

- \*\* Adaptador para manguera de aspiración (extremo de la herramienta)
  - \*\* Adaptador para manguera de aspiración (extremo de el recipiente)
  - \*\* Manguera de aspiración
  - \*\* Estuche de transporte
- (\* = equipo estándar)  
(\*\* = accesorios opcionales)







**LIMITED WARRANTY OF BOSCH PORTABLE AND BENCHTOP POWER TOOLS**

Robert Bosch Tool Corporation ("Seller") warrants to the original purchaser only, that all BOSCH portable and benchtop power tools will be free from defects in material or workmanship for a period of one year from date of purchase. SELLER'S SOLE OBLIGATION AND YOUR EXCLUSIVE REMEDY under this Limited Warranty and, to the extent permitted by law, any warranty or condition implied by law, shall be the repair or replacement of parts, without charge, which are defective in material or workmanship and which have not been misused, carelessly handled, or misrepaired by persons other than Seller or Authorized Service Station. To make a claim under this Limited Warranty, you must return the complete portable or benchtop power tool product, transportation prepaid, to any BOSCH Factory Service Center or Authorized Service Station. For Authorized BOSCH Power Tool Service Stations, please refer to your phone directory.

THIS LIMITED WARRANTY DOES NOT APPLY TO ACCESSORY ITEMS SUCH AS CIRCULAR SAW BLADES, DRILL BITS, ROUTER BITS, JIGSAW BLADES, SANDING BELTS, GRINDING WHEELS AND OTHER RELATED ITEMS.

ANY IMPLIED WARRANTIES SHALL BE LIMITED IN DURATION TO ONE YEAR FROM DATE OF PURCHASE. SOME STATES IN THE U.S., SOME CANADIAN PROVINCES DO NOT ALLOW LIMITATIONS ON HOW LONG AN IMPLIED WARRANTY LASTS, SO THE ABOVE LIMITATION MAY NOT APPLY TO YOU.

IN NO EVENT SHALL SELLER BE LIABLE FOR ANY INCIDENTAL OR CONSEQUENTIAL DAMAGES (INCLUDING BUT NOT LIMITED TO LIABILITY FOR LOSS OF PROFITS) ARISING FROM THE SALE OR USE OF THIS PRODUCT. SOME STATES IN THE U.S. AND SOME CANADIAN PROVINCES DO NOT ALLOW THE EXCLUSION OR LIMITATION OF INCIDENTAL OR CONSEQUENTIAL DAMAGES, SO THE ABOVE LIMITATION OR EXCLUSION MAY NOT APPLY TO YOU.

THIS LIMITED WARRANTY GIVES YOU SPECIFIC LEGAL RIGHTS, AND YOU MAY ALSO HAVE OTHER RIGHTS WHICH VARY FROM STATE TO STATE IN THE U.S., PROVINCE TO PROVINCE IN CANADA AND FROM COUNTRY TO COUNTRY.

THIS LIMITED WARRANTY APPLIES ONLY TO PORTABLE AND BENCHTOP ELECTRIC TOOLS SOLD WITHIN THE UNITED STATES OF AMERICA, CANADA AND THE COMMONWEALTH OF PUERTO RICO. FOR WARRANTY COVERAGE WITHIN OTHER COUNTRIES, CONTACT YOUR LOCAL BOSCH DEALER OR IMPORTER.

**GARANTIE LIMITÉE DES OUTILS ÉLECTRIQUES PORTATIFS ET D'ÉTABLI BOSCH**

Robert Bosch Tool Corporation (le « vendeur ») garantit à l'acheteur initial seulement que tous les outils électriques portatifs et d'établi BOSCH seront exempts de vices de matériaux ou d'exécution pendant une période d'un an depuis la date d'achat. LA SEULE OBLIGATION DU VENDEUR ET LE SEUL RECOURS DE L'ACHETEUR sous la présente garantie limitée, et en autant que la loi le permette sous toute garantie ou condition implicite ou en découlerait, sera l'obligation de remplacer ou réparer gratuitement les pièces défectueuses matériellement ou comme fabrication, pourvu que lesdites défectosités ne soient pas attribuables à un usage abusif ou à quelque réparation bricolée par quelqu'un d'autre que le vendeur ou le personnel d'une station-service agréée. Pour présenter une réclamation en vertu de cette garantie limitée, vous devez renvoyer l'outil électrique portatif ou d'établi complet, port payé, à tout centre de service agréé ou centre de service usine. Veuillez consulter votre annuaire téléphonique pour les adresses.

LA PRÉSENTE GARANTIE NE S'APPLIQUE PAS AUX ACCESSOIRES TELS QUE LAMES DE SCIES CIRCULAIRES, MÊCHES DE PERCEUSES, FERS DE TOUPIES, LAMES DE SCIES SAUTEUSES, COURROIES DE PONÇAGE, MEULES ET AUTRES ARTICLES DU GENRE.

TOUTE GARANTIE IMPLICITE SERA LIMITÉE COMME DURÉE À UN AN À COMPTER DE LA DATE D'ACHAT. CERTAINS ÉTATS AMÉRICAINS, CERTAINES PROVINCES CANADIENNES N'ADMETTANT PAS LE PRINCIPE DE LA LIMITATION DE LA DURÉE DES GARANTIES IMPLICITES, IL EST POSSIBLE QUE LES LIMITATIONS CI-DESSUS NE S'APPLIQUENT PAS À VOTRE CAS.

EN AUCUN CAS LE VENDEUR NE SAURAIT ÊTRE TENU POUR RESPONSABLE DES INCIDENTS OU DOMMAGES INDIRECTS (INCLUANT, MAIS NE SE LIMITANT PAS AUX PERTES DE PROFITS) CONSÉCUTIFS À LA VENTE OU L'USAGE DE CE PRODUIT. CERTAINS ÉTATS AMÉRICAINS ET CERTAINES PROVINCES CANADIENNES N'ADMETTANT PAS LE PRINCIPE DE LA LIMITATION NI L'EXCLUSION DES DOMMAGES INDIRECTS ET CONSÉQUENTIELS, IL EST POSSIBLE QUE LES LIMITATIONS OU EXCLUSIONS CI-DESSUS NE S'APPLIQUENT PAS À VOTRE CAS.

LA PRÉSENTE GARANTIE VOUS ACCORDE DES DROITS BIEN DÉTERMINÉS, Y COMPRIS POSSIBLEMENT CERTAINS DROITS VARIABLES DANS LES DIFFÉRENTS ÉTATS AMÉRICAINS, PROVINCES CANADIENNE ET DE PAYS À PAYS.

CETTE GARANTIE LIMITÉE NE S'APPLIQUE QU'ÀUX OUTILS ÉLECTRIQUES PORTATIFS ET D'ÉTABLI VENDUS AUX ÉTATS-UNIS D'AMÉRIQUE, AU CANADA ET AU COMMONWEALTH DE PORTO RICO. POUR COUVERTURE DE GARANTIE DANS LES AUTRES PAYS, CONTACTEZ VOTRE IMPORTATEUR OU REVENDEUR BOSCH LOCAL.

**GARANTIA LIMITADA PARA HERRAMIENTAS MECANICAS PORTATILES Y PARA TABLERO DE BANCO BOSCH**

Robert Bosch Tool Corporation ("el Vendedor") garantiza, únicamente al comprador original, que todas las herramientas mecánicas portátiles y para tablero de banco BOSCH estarán libres de defectos de material o de fabricación durante un período de un año a partir de la fecha de compra. LA ÚNICA OBLIGACION DEL VENDEDOR Y EL RECURSO EXCLUSIVO QUE USTED TIENE bajo esta Garantía Limitada y, hasta donde la ley lo permita, bajo cualquier garantía o condición implícita por ley, consistirá en la reparación o sustitución sin costo de las piezas que presenten defectos de material o de fabricación y que no hayan sido utilizadas incorrectamente, manejadas descuidadamente o reparadas incorrectamente por personas que no sean el Vendedor o una Estación de servicio autorizada. Para efectuar una reclamación bajo esta Garantía Limitada, usted debe devolver el producto, que consiste en la herramienta mecánica portátil o para tablero de banco completa, con el transporte pagado, a cualquier Centro de servicio de fábrica o Estación de servicio autorizada. Para Estaciones de servicio autorizadas de herramientas mecánicas BOSCH, por favor, consulte el directorio telefónico.

ESTA GARANTIA LIMITADA NO SE APLICA A ARTICULOS ACCESORIOS TALES COMO HOJAS PARA SIERRAS CIRCULARES, BROCAS PARA TALADROS, BROCAS PARA FRESADORAS, HOJAS PARA SIERRAS DE VAIVEN, CORREAS PARA LIJAR, RUEDAS DE AMOLAR Y OTROS ARTICULOS RELACIONADOS.

TODAS LAS GARANTIAS IMPLICITAS TENDRAN UNA DURACION LIMITADA A UN AÑO A PARTIR DE LA FECHA DE COMPRA. ALGUNOS ESTADOS DE LOS EE.UU. Y ALGUNAS PROVINCIAS CANADIENSES NO PERMITEN LIMITACIONES EN CUANTO A LA DURACION DE UNA GARANTIA IMPLICITA, POR LO QUE ES POSIBLE QUE LA LIMITACION ANTERIOR NO SEA APLICABLE EN EL CASO DE USTED.

EL VENDEDOR NO SERA RESPONSABLE EN NINGUN CASO DE NINGUN DAÑO INCIDENTAL O EMERGENTE (INCLUYENDO PERO NO LIMITADO A RESPONSABILIDAD POR PERDIDA DE BENEFICIOS) QUE SE PRODUZCA COMO CONSECUENCIA DE LA VENTA O UTILIZACION DE ESTE PRODUCTO. ALGUNOS ESTADOS DE LOS EE.UU. Y ALGUNAS PROVINCIAS CANADIENSES NO PERMITEN LA EXCLUSION O LIMITACION DE LOS DAÑOS INCIDENTALES O EMERGENTES, POR LO QUE ES POSIBLE QUE LA LIMITACION O EXCLUSION ANTERIOR NO SEA APLICABLE EN EL CASO DE USTED.

ESTA GARANTIA LIMITADA LE CONFIERE A USTED DERECHOS LEGALES ESPECIFICOS Y ES POSIBLE QUE USTED TAMBIEN TENGA OTROS DERECHOS QUE VARIAN DE ESTADO A ESTADO EN LOS EE.UU., DE PROVINCIA A PROVINCIA EN CANADA Y DE UN PAIS A OTRO.

ESTA GARANTIA LIMITADA SE APLICA SOLAMENTE A HERRAMIENTAS ELECTRICAS PORTATILES Y PARA TABLERO DE BANCO VENDIDAS EN LOS ESTADOS UNIDOS DE AMERICA, CANADA Y EL ESTADO LIBRE ASOCIADO DE PUERTO RICO. PARA COBERTURA DE GARANTIA EN OTROS PAISES, PONGASE EN CONTACTO CON SU DISTRIBUIDOR O IMPORTADOR LOCAL DE BOSCH.

© Robert Bosch Tool Corporation 1800 W. Central Road Mt. Prospect, IL 60056 -2230

Exportado por: Robert Bosch Tool Corporation Mt. Prospect, IL 60056 -2230, E.U.A.

Importado a México por: Robert Bosch, S.A. de C.V., Calle Robert Bosch No. 405, Zona Industrial, Toluca, Edo. de México, C.P. 50070, Tel. (722) 2792300



2 6 0 9 9 3 2 8 4 2

2609932842 03/12





## Free Manuals Download Website

<http://myh66.com>

<http://usermanuals.us>

<http://www.somanuals.com>

<http://www.4manuals.cc>

<http://www.manual-lib.com>

<http://www.404manual.com>

<http://www.luxmanual.com>

<http://aubethermostatmanual.com>

Golf course search by state

<http://golfingnear.com>

Email search by domain

<http://emailbydomain.com>

Auto manuals search

<http://auto.somanuals.com>

TV manuals search

<http://tv.somanuals.com>