

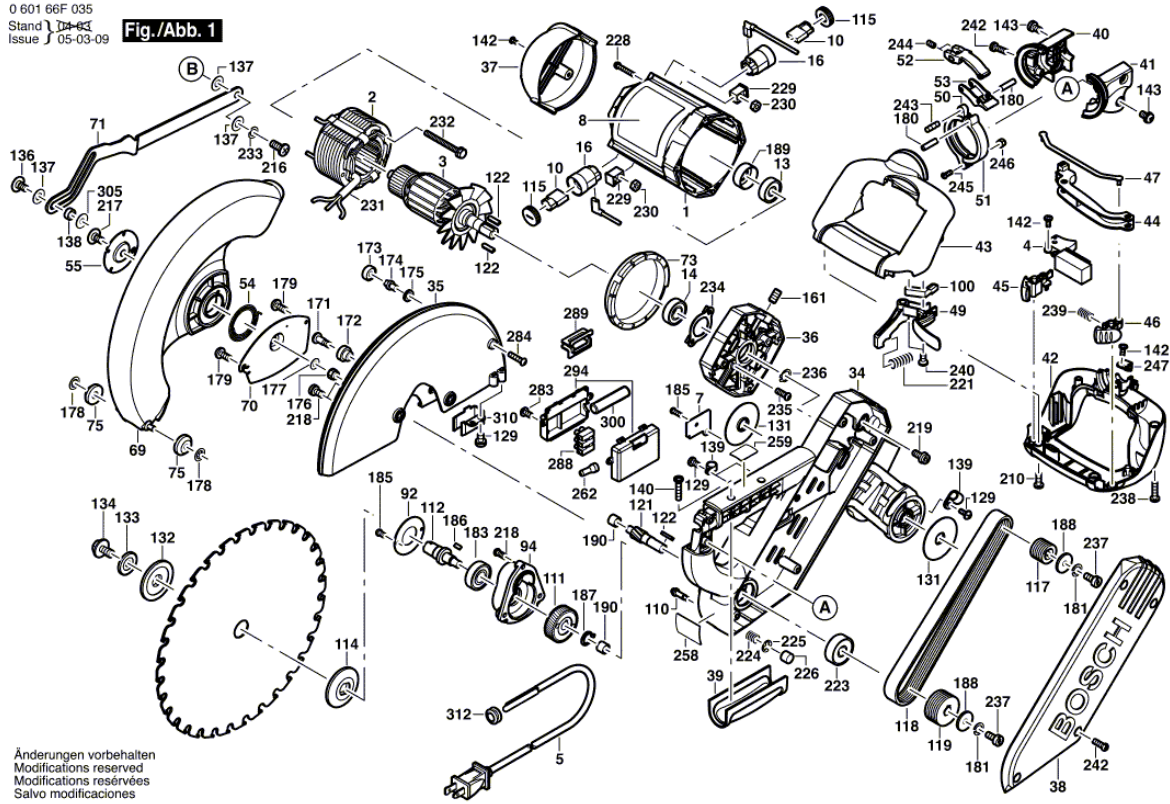


0 601 66F 035 CIRCULAR SAW 4212

24.10.2005
22:40:15

0 601 66F 035
Stand 04-03
Issue J 05-03-09

Fig./Abb. 1



Änderungen vorbehalten
Modifications reserved
Modifications réservées
Salvo modificaciones

Item	Quantity	Order No.	Designation	Price group	Page
1	1	2 610 915 750	MOTOR HOUSING	34	1
2	1	2 610 923 313	FIELD \ 115V	36	1
3	1	2 610 915 752	ARMATURE \ 115V	44	1
4	1	2 610 915 753	SWITCH SET	31	1
5	1	2 610 923 314	MAINS CABLE	28	1
7	1	2 610 915 749	CLAMPING PLATE	10	1
8	1	2 610 916 507	NAMEPLATE	12	1
10	2	2 610 915 758	CARBON-BRUSH SET	19	1
13	1	2 610 911 928	BALL BEARING	23	1
14	1	2 610 911 927	BALL BEARING	31	1
16	2	2 610 915 761	BRUSH HOLDER	14	1
20	1	2 610 920 805	WARNING LABEL	10	3
22	1	2 610 920 813	BASE	48	3
23	1	2 610 919 261	EXTENSION STAND	29	3
24	1	2 610 919 262	EXTENSION STAND	29	3
25	1	2 610 920 814	TABLE	46	2
26	1	2 610 920 816	STOP	36	3
27	1	2 610 915 768	PARALLEL-GUIDE	29	3
28	1	2 610 915 769	PARALLEL-GUIDE	29	3
29	1	2 610 920 818	PIVOT	36	2
34	1	2 610 920 815	UPPER HOUSING	44	1
35	1	2 610 920 817	GUARD PROFILE	34	1
36	1	2 610 915 731	INTERMEDIATE LAYER	29	1
37	1	2 610 915 732	HOUSING COVER	18	1
38	1	2 610 920 820	BELT COVER	20	1
39	1	2 610 915 734	HANDLE COVER	22	1
40	1	2 610 915 735	BEARING PEDESTAL	20	1
41	1	2 610 915 736	BEARING PEDESTAL	20	1
42	1	2 610 915 737	BEARING PEDESTAL	23	1
43	1	2 610 915 738	BEARING PEDESTAL	23	1
44	1	2 610 915 739	TRIGGER	13	1
45	1	2 610 915 740	BUTTON	13	1
46	1	2 610 915 741	BUTTON	13	1
47	1	2 610 915 742	LINK	12	1
48	1	2 610 920 830	INDICATOR	10	2
49	1	2 610 915 744	RELEASE LEVER	17	1
50	1	2 610 915 745	CLAMP COLLAR	15	1
51	1	2 610 915 746	CLAMP COLLAR	15	1
52	1	2 610 915 747	LATCH	13	1
53	1	2 610 915 748	LATCH	13	1
54	1	2 610 911 853	TORSION SPRING	16	1
55	1	2 610 915 704	PLATE	13	1
56	1	2 610 920 825	INSERT	15	2
57	1	2 610 920 821	KNOB	18	2
58	1	2 610 920 832	LINKAGE	18	2
59	1	2 610 915 708	HOLDING FIXTURE	15	2
61	1	2 610 915 710	COVER	14	2
62	1	2 610 915 711	LEVER	19	2
63	1	2 610 920 836	BRACKET	17	2
64	1	2 610 919 270	CAM	10	2
65	1	2 610 915 714	KNOB	15	2

66	1	2 610 915 715	BRACKET	10	2
68	1	2 610 915 717	BRACKET	11	2
69	1	2 610 920 819	PIVOTING BLADE GUARD	26	1
70	1	2 610 923 330	PIVOT PLATE	12	1
71	1	2 610 920 833	LINK	17	1
72	1	2 610 920 823	LEVER	12	2
73	1	2 610 915 722	BAFFLE	11	1
74	1	2 610 923 315	ROD	23	2
75	2	2 610 915 724	ROLLER	10	1
76	1	2 610 919 271	CAM RING	20	2
79	4	2 610 915 687	KNOB	15	3
80	1	2 610 915 688	LOCKING LEVER	16	3
81	1	2 610 915 689	LOCKING LEVER	16	3
83	1	2 610 923 316	COVER	10	2
84	1	2 610 920 829	INDICATOR	10	2
85	1	2 610 920 827	INDICATOR	12	2
88	1	2 610 921 478	SCALE	12	2
89	1	2 610 920 843	BLOCK	23	2
90	1	2 610 915 698	WRENCH SOCKET	16	3
91	1	2 610 915 699	RUBBER BUSHING	16	3
92	1	2 610 915 700	BEARING COVER PLATE	10	1
93	1	2 610 915 701	RETAINING PLATE	12	2
94	1	2 610 915 702	GEAR COVER	23	1
95	2	2 610 923 331	RING	11	3
97	1	2 610 916 459	GUIDE BRACKET	10	2
98	1	2 610 916 460	BUSHING	11	2
100	1	2 610 916 462	DETENT PIN	11	1
102	1	2 610 919 580	SHAFT PIVOT	14	2
103	1	2 610 915 759	DETENT PIN	15	2
107	1	2 610 923 317	TORSION SPRING	20	2
108	1	2 610 916 795	SLEEVE	10	2
109	1	2 610 916 796	SHAFT	13	2
110	1	2 610 916 797	LOCKING PIN	10	1
111	1	2 610 916 798	HELICAL GEAR	24	1
112	1	2 610 916 799	SPINDLE	23	1
113	1	2 610 915 878	LABEL	12	3
114	1	2 610 916 801	INNER DISC	18	1
115	2	2 610 916 802	BRUSH-COVER	10	1
116	4	2 610 916 803	EXTENSION SHAFT	15	3
117	1	2 610 916 804	DRIVING PULLEY	16	1
118	1	2 610 916 805	WIDE V-BELT	29	1
119	1	2 610 916 806	PULLEY	20	1
120	2	2 610 923 829	BRACKET	12	2
121	1	2 610 916 808	SHAFT	24	1
122	3	2 610 916 809	KEY	10	1
123	1	2 610 920 842	Pin	18	2
124	1	2 610 916 811	LEVER SHAFT	15	2
126	1	2 610 910 779	WASHER	10	2
127	1	2 610 358 172	NUT	10	2
129	8	2 610 911 907	SCREW AND WASHER ASSEMBLY	10	1
130	2	2 610 911 908	ADJUSTING SCREW	13	2
131	2	2 610 911 937	SHIM	17	1

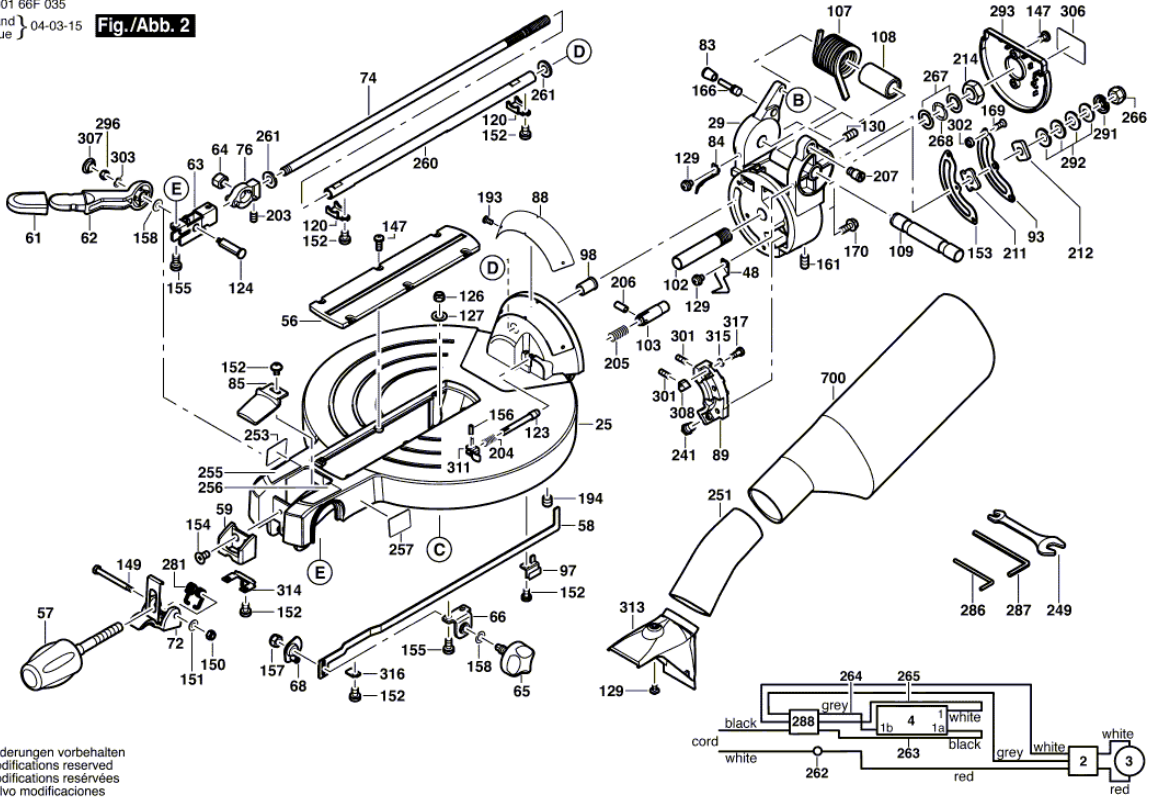
132	1	2 610 911 909	FLANGE	23	1
133	1	2 610 911 870	PLAIN WASHER	15	1
134	1	2 610 911 871	SCREW	13	1
136	1	2 610 911 598	SHOULDER SCREW	11	1
137	3	2 610 911 599	PLAIN WASHER	10	1
138	1	2 610 911 850	SPACER	11	1
139	3	2 610 911 872	CLAMP	11	1
140	2	2 610 911 458	SCREW	10	1
142	6	2 610 318 846	SCREW	12	1
143	4	2 615 297 323	SCREW	10	1
145	1	2 610 923 320	BOLT	12	3
146	4	2 610 356 437	ADJUSTING SCREW	10	3
147	14	2 610 911 899	SCREW	11	2
148	4	2 610 358 846	RUBBER BUSHING	11	3
149	1	2 610 911 918	SCREW	14	2
150	1	2 610 911 901	LOCK NUT	12	2
151	1	2 610 347 092	PLAIN WASHER	10	2
152	6	2 610 911 897	SCREW	10	2
153	1	2 610 919 287	RETAINING PLATE	10	2
154	2	2 610 911 900	SCREW	10	2
155	4	2 610 910 784	SCREW	10	2
156	2	2 610 923 318	Pin	10	2
157	1	2 610 355 332	SQUARE NUT	11	2
158	2	2 610 921 458	WASHER	10	2
161	4	2 610 911 914	ADJUSTING SCREW	14	1
166	1	2 610 923 826	Pin	12	2
169	3	2 610 358 848	SCREW	10	2
170	2	2 610 327 859	SCREW	10	2
171	1	2 610 911 911	SHOULDER SCREW	10	1
172	1	2 610 911 921	ROUND RUBBER	11	1
173	1	2 610 911 938	BALL BEARING	17	1
174	1	2 610 911 883	SHOULDER SCREW	14	1
175	1	2 610 911 906	WASHER	11	1
176	1	2 610 911 570	HEXAGON NUT	11	1
177	1	2 610 029 234	PLAIN WASHER	10	1
178	2	2 610 990 521	C-CLIP	10	1
179	2	2 610 004 925	SCREW	17	1
180	2	2 610 358 812	PIN	11	1
181	2	2 610 355 325	SPRING WASHER	10	1
183	1	2 610 327 846	BALL BEARING	21	1
185	4	2 610 317 505	SELF-TAPPING SCREW		1
186	1	2 610 993 102	KEY	11	1
187	1	2 610 997 281	C-CLIP	10	1
188	2	2 610 029 674	WASHER	10	1
189	1	2 610 911 925	RING	14	1
190	2	2 610 358 922	NEEDLE-ROLLER BEARING	24	1
191	4	2 610 906 037	SCREW BOLT	12	3
192	4	2 916 690 007	SPRING LOCK WASHER \ DIN 128-A8-FST	10	3
193	2	2 610 913 862	SCREW	11	2
194	1	2 610 910 786	ADJUSTING SCREW	10	2
195	1	2 610 919 060	SHOULDER SCREW	10	3
196	2	2 610 919 061	COMPRESSION SPRING	10	3

197	1	2 610 926 010	SCREW	13	3
198	1	2 610 926 011	SCREW	13	3
199	4	2 610 912 556	RETAINING RING	10	3
201	1	2 610 919 065	SCREWDRIVER BIT	10	3
203	1	2 610 355 295	SCREW	12	2
204	1	2 610 919 067	COMPRESSION SPRING	10	2
205	1	2 610 919 068	COMPRESSION SPRING	10	2
206	1	2 610 919 069	HOLDING PIN	10	2
207	1	2 610 935 532	STOP SCREW		2
208	1	2 610 919 070	SHOULDER SCREW	10	3
210	3	2 610 320 304	SCREW		1
211	1	2 610 919 072	BRAKE PLATE	10	2
212	1	2 610 919 073	BRAKE PLATE	17	2
214	1	2 615 297 331	NUT	10	2
216	1	2 610 919 075	SHOULDER SCREW	10	1
217	1	2 610 919 076	SHOULDER SCREW	10	1
218	5	2 610 327 867	SCREW	10	1
219	4	2 610 998 575	SCREW	10	1
221	1	2 610 919 077	COMPRESSION SPRING	10	1
223	1	2 610 919 079	BALL BEARING	22	1
224	1	2 610 919 080	SPRING	10	1
225	1	2 610 358 869	RETAINING RING	11	1
226	1	2 610 919 081	COVER	10	1
228	4	2 610 358 928	SCREW	11	1
229	2	2 610 911 569	INSERT	12	1
230	2	2 610 327 868	NUT	11	1
231	1	2 610 919 082	PVC TUBE	10	1
232	2	2 610 911 929	SCREW	11	1
233	1	2 610 911 450	WASHER	11	1
234	1	2 610 911 566	BEARING END PLATE	15	1
235	2	2 610 318 812	SCREW	10	1
236	1	2 610 919 083	RETAINING RING	10	1
237	2	2 610 919 084	SCREW	10	1
238	4	2 610 320 330	SCREW	10	1
239	1	2 610 919 085	COMPRESSION SPRING	10	1
240	2	2 610 915 162	SCREW	12	1
241	1	2 610 351 178	HEXAGON SCREW	10	2
242	6	2 610 914 401	SCREW	10	1
243	1	2 610 919 086	PIN	10	1
244	2	2 610 919 087	ADJUSTING SCREW	10	1
245	1	2 610 358 519	SCREW	10	1
246	1	2 610 358 521	HEXAGON NUT	10	1
247	1	2 610 916 061	STOP PLATE	13	1
249	1	2 610 917 658	ADJUSTING WRENCH	20	2
251	1	2 610 919 280	SUCTION TUBE	14	2
252	1	2 610 919 089	CLAMPING FIXTURE	31	3
253	1	2 610 923 332	LABEL	12	2
254	2	2 610 911 658	WARNING PLATE	15	3
255	1	2 610 923 323	LABEL	12	2
256	1	2 610 923 324	LABEL	12	2
257	1	2 610 917 101	LABEL	10	2
258	1	2 610 917 100	LABEL	10	1

259	1	2 610 917 097	LABEL	10	1
260	1	2 610 923 328	SUPPORT TUBE	23	2
261	2	2 610 308 959	WASHER	11	2
262	1	2 610 911 933	CABLE CLIP	11	1
263	1	2 610 923 325	CABLE	14	2
264	1	2 610 923 326	CABLE	14	2
265	1	2 610 923 327	CABLE	14	2
266	1	2 610 910 791	NUT	14	2
267	2	2 610 910 792	WASHER	10	2
268	1	2 610 068 894	PLAIN WASHER	10	2
281	1	2 610 923 827	SPRING	12	2
283	2	2 610 921 480	SCREW	10	1
284	1	2 610 923 329	SCREW	10	1
286	1	2 610 921 512	ENGINEERS WRENCH, DOUBLE	10	2
287	1	2 610 921 483	ENGINEERS WRENCH, DOUBLE	10	2
288	1	2 610 921 484	TERMINAL BLOCK	11	1
289	1	2 610 921 487	RUBBER PROFILE	10	1
291	1	2 610 919 282	PLAIN WASHER	10	2
292	4	2 610 919 281	PLAIN WASHER	10	2
293	1	2 610 920 822	COVER	18	2
294	1	2 610 919 279	HOUSING COVER	10	1
296	1	2 610 921 459	NUT	10	2
300	1	2 610 923 321	PVC TUBE	10	1
301	1	2 610 921 466	SCREW	10	2
302	3	2 610 921 467	SPACER	10	2
303	1	2 610 358 815	PLAIN WASHER		2
305	1	2 610 913 099	PLAIN WASHER		1
306	1	2 610 915 870	LABEL	12	2
307	1	2 610 921 931	COVER	17	2
308	1	2 610 920 844	BLOCK	10	2
309	1	2 610 920 835	STOP	26	3
310	1	2 610 920 840	CHIP DEFLECTOR	11	1
311	1	2 610 923 319	LEVER	11	2
312	1	2 610 923 824	RUBBER BUSHING	10	1
313	1	2 610 923 825	CHUTE	15	2
314	1	2 610 923 828	PLATE	12	2
315	1	2 610 923 855	WASHER	10	2
316	1	2 610 923 830	BRACKET	11	2
317	1	2 610 923 856	SCREW	10	2
700	1	2 610 915 939	DUST BAG		2

0 601 66F 035
Stand } 04-03-15
Issue }

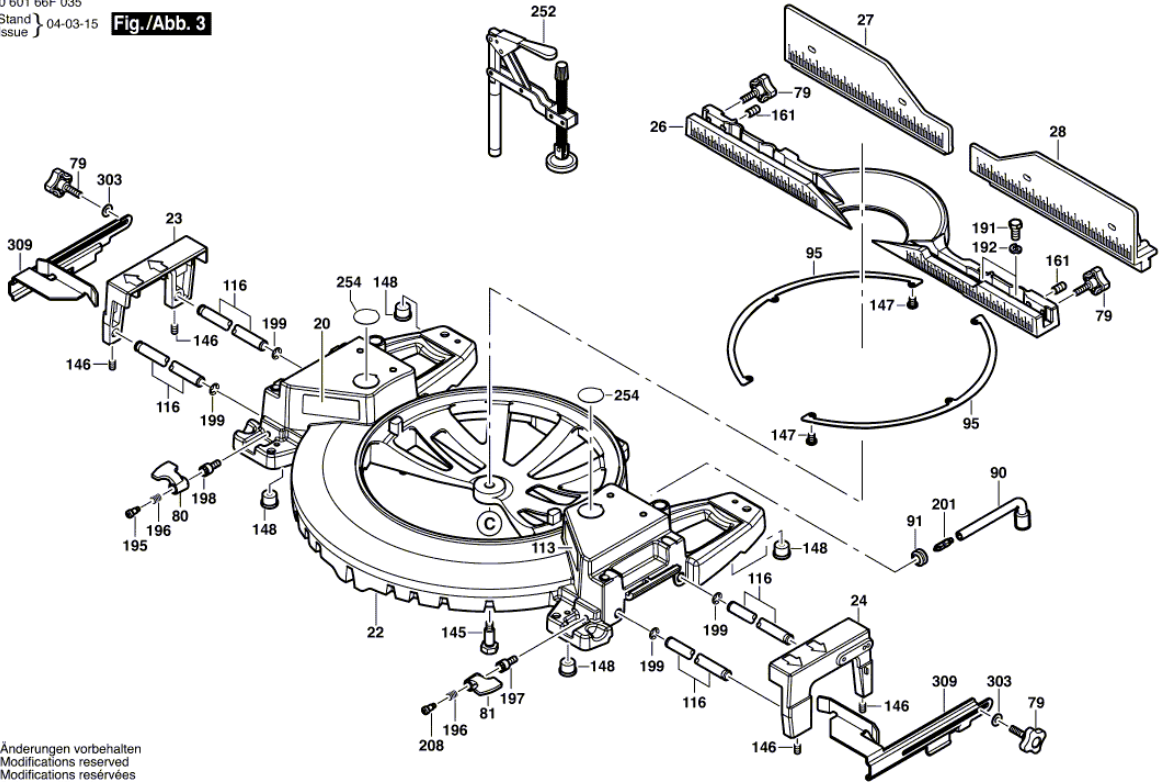
Fig./Abb. 2



Änderungen vorbehalten
Modifications reserved
Modificaciones reservadas
Salvo modificaciones

0 601 66F 035
Stand } 04-03-15
Issue }

Fig./Abb. 3



Änderungen vorbehalten
Modifications reserved
Modifications réservées
Salvo modificaciones

Free Manuals Download Website

<http://myh66.com>

<http://usermanuals.us>

<http://www.somanuals.com>

<http://www.4manuals.cc>

<http://www.manual-lib.com>

<http://www.404manual.com>

<http://www.luxmanual.com>

<http://aubethermostatmanual.com>

Golf course search by state

<http://golfingnear.com>

Email search by domain

<http://emailbydomain.com>

Auto manuals search

<http://auto.somanuals.com>

TV manuals search

<http://tv.somanuals.com>