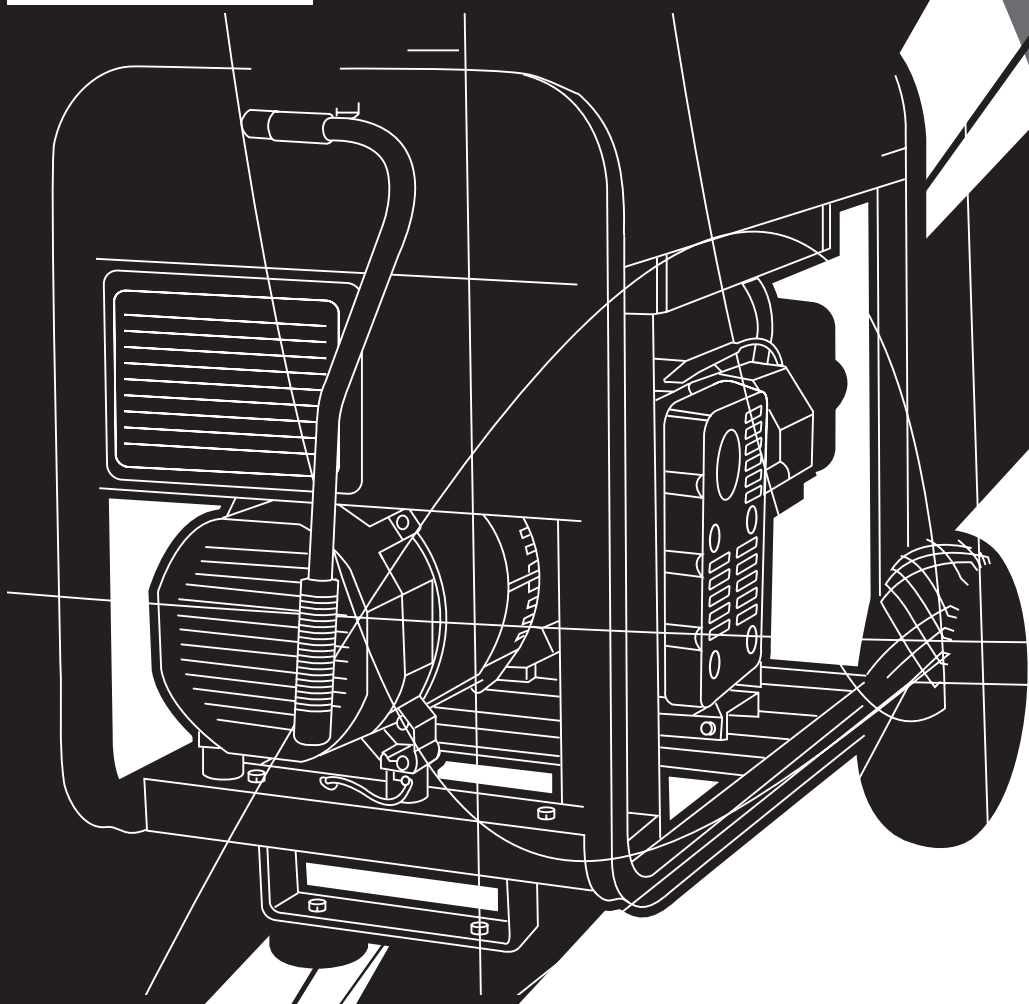


EL G
AT

TÁTIL

**Owner's Manual
Manuel de l'utilisateur
Manual del Propietario**

Model 01654 Shown



**01653
(3250W)**

**01654
(5500W)**

**01892
(5000W)**

**01893
(6000W)**

Help is just a moment away!
Vous avez des questions? Vous n'avez pas besoin d'aller loin pour trouver de l'aide!
¿Tiene dudas? La ayuda es justa un momento lejos!
Generator Helpline - 1-800-743-4115 M-F 8-5 CT
Appel d'assistance de Générateur - 1-800-743-4115 M-F 8-5 CT
Llamada: Generador Helpline - 1-800-743-4115 M-F 8-5 CT

**BRiggs & Stratton Power Products Group, LLC
JEFFERSON, WISCONSIN, U.S.A.**

Manual No. 191958GS
Revision 1 (01/30/2003)



TABLE OF CONTENTS

Safety Rules 2-4
 Assembly 5-7
 Operation 8-11
 Maintenance 12
 Storage 13
 Troubleshooting 14
 Warranty 15

EQUIPMENT DESCRIPTION



Read this manual carefully and become familiar with your generator. Know its applications, its limitations and any hazards involved.

The generators are an engine-driven, revolving field, alternating current (AC) generator. It was designed to supply electrical power for operating compatible electrical lighting, appliances, tools and motor loads. The generator's revolving field is driven at about 3,600 rpm by a single-cylinder engine.

CAUTION! DO NOT exceed the generator's wattage/ampere capacity. See "Don't Overload Generator" on page 11.

Every effort has been made to ensure that information in this manual is accurate and current. However, we reserve the right to change, alter or otherwise improve the product and this document at any time without prior notice.

The Emission Control System for this generator is warranted for standards set by the Environmental Protection Agency. For warranty information refer to the engine owner's manual.

SAFETY RULES



This is the safety alert symbol. It is used to alert you to potential personal injury hazards. Obey all safety messages that follow this symbol to avoid possible injury or death.

The safety alert symbol (▲) is used with a signal word (DANGER, CAUTION, WARNING), a pictorial and/or a safety message to alert you to hazards. **DANGER** indicates a hazard which, if not avoided, will result in death or serious injury. **WARNING** indicates a hazard which, if not avoided, could result in death or serious injury. **CAUTION** indicates a hazard which, if not avoided, might result in minor or moderate injury. **CAUTION**, when used without the alert symbol, indicates a situation that could result in equipment damage. Follow safety messages to avoid or reduce the risk of injury or death.

In the State of California a spark arrester is required by law (Section 4442 of the California Public Resources Code). Other states may have similar laws. Federal laws apply on federal lands. If you equip the muffler with a spark arrester, it must be maintained in effective working order.




WARNING

The engine exhaust from this product contains chemicals known to the State of California to cause cancer, birth defects, or other reproductive harm.




! DANGER

 Running generator gives off carbon monoxide, an odorless, colorless, poison gas. Breathing carbon monoxide will cause nausea, fainting or death.


- Operate generator **ONLY** outdoors.
- Keep at least 2 feet of clearance on all sides of generator for adequate ventilation.
- **DO NOT** operate generator inside any building or enclosure, including the generator compartment of a recreational vehicle (RV).

! DANGER

 Failure to properly ground generator can result in electrocution, especially if the generator is equipped with a wheel kit.

- National Electric Code requires generator to be properly grounded to an approved earth ground. Call an electrician for local grounding requirements.

! DANGER


 Generator produces powerful voltage. Failure to isolate generator from power utility can result in death or injury to electric utility workers due to backfeed of electrical energy.


- When using generator for backup power, notify utility company. Use approved transfer equipment to isolate generator from electric utility.
- Use a ground circuit fault interrupter (GFCI) in any damp or highly conductive area, such as metal decking or steel work.
- **DO NOT** touch bare wires or receptacles.
- **DO NOT** use generator with electrical cords which are worn, frayed, bare or otherwise damaged.
- **DO NOT** operate generator in the rain.
- **DO NOT** handle generator or electrical cords while standing in water, while barefoot, or while hands or feet are wet.
- **DO NOT** allow unqualified persons or children to operate or service generator.

! WARNING

- This generator does not meet U. S. Coast Guard Regulation 33CFR-183 and should not be used on marine applications.
- Failure to use the appropriate U. S. Coast Guard approved generator could result in bodily injury and/or property damage.


! DANGER


 Storage batteries give off explosive hydrogen gas during recharging. Hydrogen gas stays around battery for a long time after battery has been charged. Slightest spark will ignite hydrogen and cause explosion. You can be blinded or severely injured.

 Battery electrolyte fluid contains acid and is extremely caustic. Contact with battery fluid will cause severe chemical burns.

- **DO NOT** allow any open flame, spark, heat, or lit cigarette during and for several minutes after charging a battery.
- Wear protective goggles, rubber apron, and rubber gloves.

! WARNING

 Fuel and its vapors are extremely flammable and explosive.

 Fire or explosion can cause severe burns or death.

WHEN ADDING FUEL

- Turn generator **OFF** and let it cool at least 2 minutes before removing gas cap. Loosen cap slowly to relieve pressure in tank.
- Fill fuel tank outdoors.
- **DO NOT** overfill tank. Allow space for fuel expansion.
- Keep fuel away from sparks, open flames, pilot lights, heat, and other ignition sources.
- **DO NOT** light a cigarette or smoke.

WHEN OPERATING EQUIPMENT

- **DO NOT** tip engine or equipment at angle which causes fuel to spill.
- This generator is not for use in mobile equipment or marine applications.

WHEN TRANSPORTING OR REPAIRING EQUIPMENT


- Transport/repair with fuel tank **EMPTY** or with fuel shutoff valve **OFF**.
- Disconnect spark plug wire.

WHEN STORING FUEL OR EQUIPMENT WITH FUEL IN TANK

- Store away from furnaces, stoves, water heaters, clothes dryers or other appliances that have pilot light or other ignition source because they can ignite fuel vapors.




WARNING

 Unintentional sparking can result in fire or electric shock.

WHEN ADJUSTING OR MAKING REPAIRS TO YOUR GENERATOR

- Disconnect the spark plug wire from the spark plug and place the wire where it cannot contact spark plug.

WARNING

 Running engines produce heat. Temperature of muffler and nearby areas can reach or exceed 150°F (65°C). Severe burns can occur on contact.

- DO NOT touch hot surfaces.
- Allow equipment to cool before touching.

CAUTION

Excessively high operating speeds increase risk of injury and damage to generator.
Excessively low speeds impose a heavy load.

- DO NOT tamper with governed speed. Generator supplies correct rated frequency and voltage when running at governed speed.
- DO NOT modify generator in any way.

CAUTION

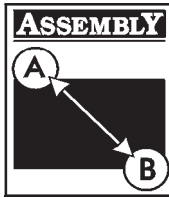
Exceeding generators wattage/amperage capacity can damage generator and/or electrical devices connected to it.

- See “Don’t Overload Generator” on page 11.
- Start generator and let engine stabilize before connecting electrical loads.
- Connect electrical loads in OFF position, then turn ON for operation.
- Turn electrical loads OFF and disconnect from generator before stopping generator.

CAUTION

Improper treatment of generator can damage it and shorten its life.

- Use generator only for intended uses.
- If you have questions about intended use, ask dealer or call 1-800-743-4115.
- Operate generator only on level surfaces.
- DO NOT expose generator to excessive moisture, dust, dirt, or corrosive vapors.
- DO NOT insert any objects through cooling slots.
- If connected devices overheat, turn them off and disconnect them from generator.
- Shut off generator if:
 - electrical output is lost;
 - equipment sparks, smokes, or emits flames;
 - unit vibrates excessively.



ASSEMBLY

Your generator requires some assembly and is ready for use after it has been properly serviced with the recommended oil and fuel.

If you have any problems with the assembly of your generator, please call the generator helpline at 1-800-743-4115. If calling for assistance, please have the model, revision, and serial number from the data tag available.

INSTALL WHEEL KIT

NOTE: If your unit is supplied with a 10" wheel kit use the following instructions. If your unit is supplied with an 8" wheel kit use the instructions on page 6.

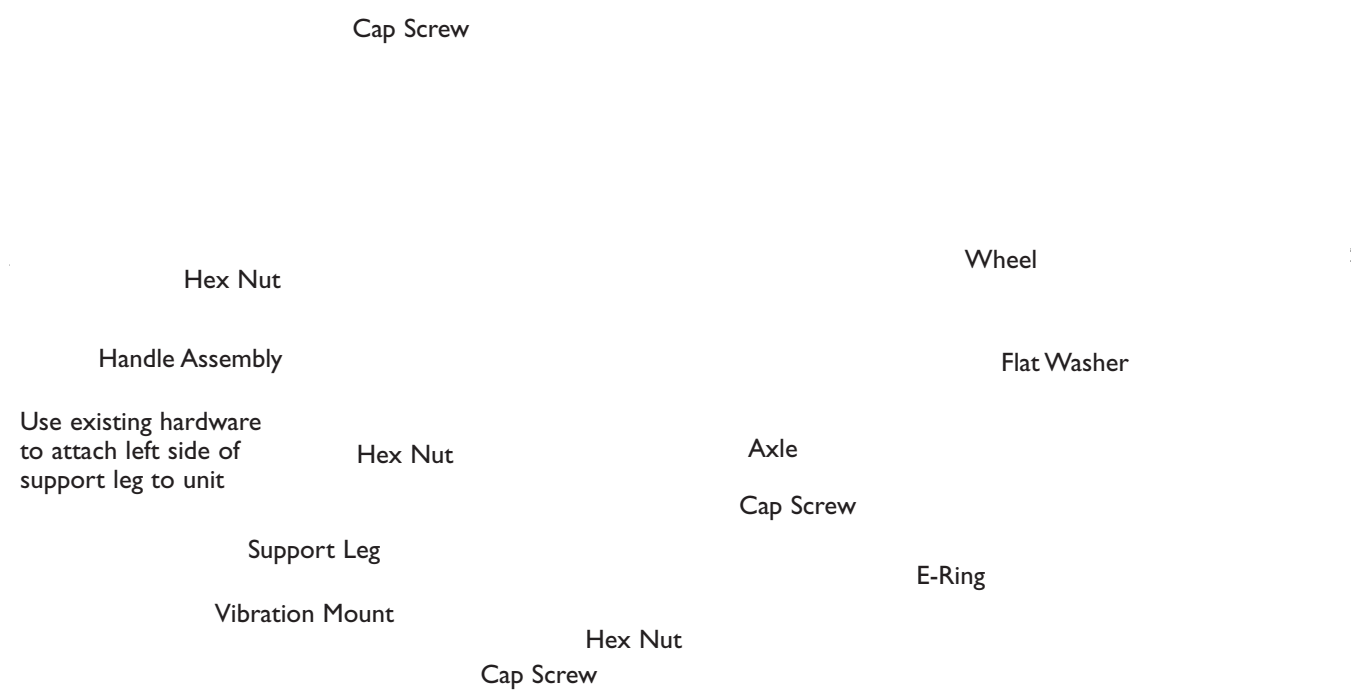
NOTE: While the wheel kit is designed to greatly improve the portability of your generator, it is not intended for over-the-road use.

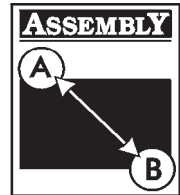
You will need a socket wrench with 1/2" or 13mm sockets and a needle-nose pliers to install this kit.

Install the 10" Wheel Kit as Follows

1. Place the bottom of the generator cradle on a flat, even surface. Temporarily place unit on blocks to ease assembly.
2. Slide axle through both axle mounting brackets on cradle frame, as shown in Figure 1.
3. Slide a wheel over the axle.
NOTE: Be sure to install both wheels with the air pressure valve on the outboard side.
4. Place the e-ring onto the groove in the axle. You may add the flat washer if desired.
NOTE: Use retaining pins instead of e-clip, if applicable.
5. Place one end of the needle nose pliers on the bottom of the axle and the other end of the pliers on top of the e-ring. Seat the e-ring by pressing the pliers closed.
6. Repeat step 3 through 5 to secure second wheel.
7. Remove the temporary blocks.
8. Attach the vibration mounts to the support leg with 30mm capscrews and lock nuts.
9. To aid support leg assembly, rest generator on cradle, engine end down. Remove the existing hardware from the left unit vibration mount with 13mm wrench. Use the same hardware to attach the support leg.
10. Attach the other side of the support leg with a 20mm cap screw and lock nut. Rest generator on wheels and support leg.

Figure 1 — Install Wheel Kit





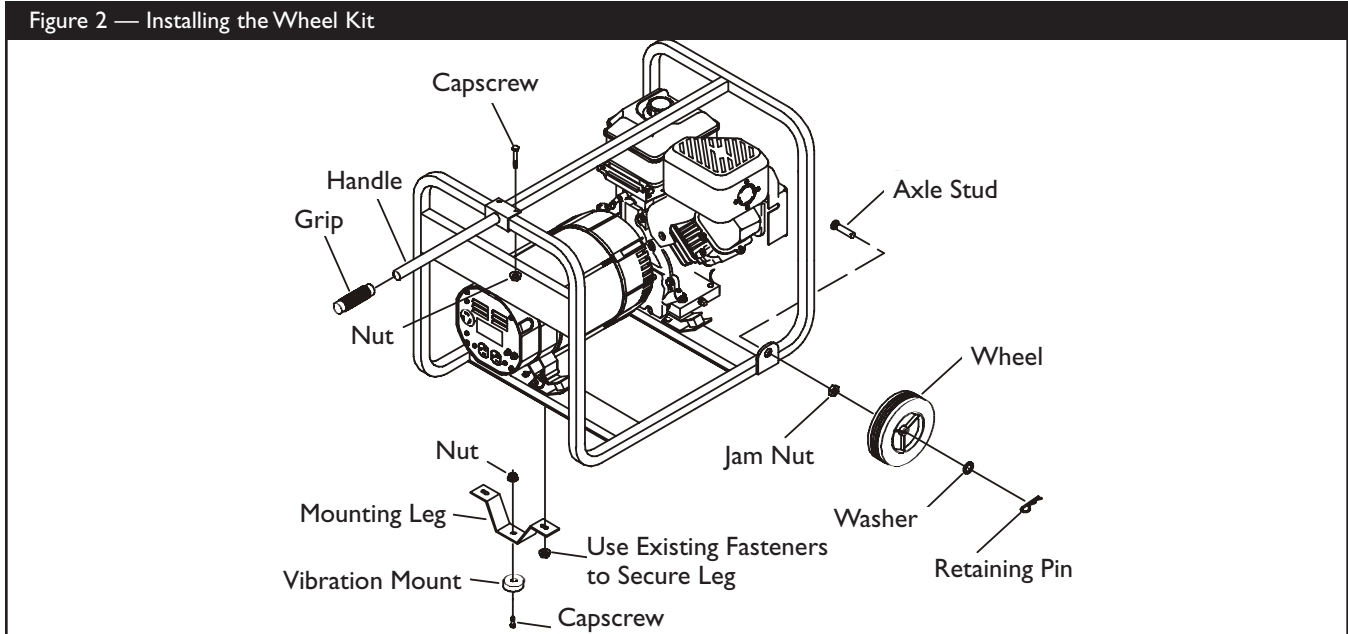
11. If equipped, center the handle bracket on generator frame at support leg end of cradle, as shown.
12. Attach handle bracket with two M8 x 45mm cap screws and two locking hex nuts.
13. Check that all fasteners are tight and the tires are inflated to the value marked on the tire or within 15 and 40 psi.

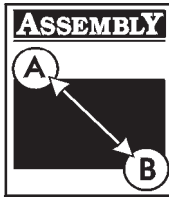
Install the 8" Wheel Kit as Follows

1. Place bottom of generator cradle on a flat surface.
2. Place axle stud through wheel retainer on cradle frame, as shown in Figure 2.
3. Use 15/16" wrench to secure the axle stud to frame with 5/8-18 jam nut.
4. Install the other axle stud in the same manner.

NOTE: Be sure to install wheel with raised hub inboard.

5. Tip unit and install the wheel. Place flat washer over axle stud.
6. Retain wheel on axle stud with retaining pin. Install other wheel on remaining axle shaft the same way.
7. Attach the vibration mount to the mounting leg with a capscrew and lock nut.
8. Remove two front nuts from vibration mount on unit with 13mm wrench. Use these nuts to retain the mounting leg.
9. Center the lifting handle on generator end of cradle. Attach the handle using two 13mm wrenches with two capscrews and two hex nuts.





ELECTRIC START

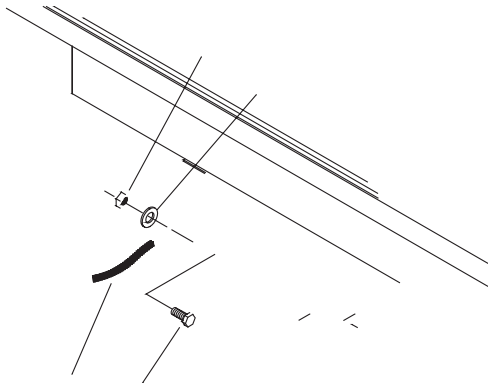
Your unit may be equipped with electric start capability but can be started manually. If you choose not to use the electric start feature, you do not need to install the battery. If your unit does not have electric start, ignore this section.

Check Battery / Attach Negative Battery Wire

The sealed battery on the generator is fully charged and pre-installed except for the negative (black) battery cable.

To install:

- Cut off tie wrap securing loose end of negative (black) cable.
- Remove nut and washer on the negative battery terminal.
- Slide the negative battery cable over the screw on the negative terminal (Figure 3).



- Reattach washer and nut and tighten.
- Verify that the connections to the battery and generator are tight and secure.

BEFORE STARTING THE ENGINE

Add Oil

CAUTION! Any attempt to crank or start the engine before it has been properly filled with the recommended oil may result in an engine failure.

To fill your engine with oil:

- Place generator on a level surface.
- Follow the oil grade recommendations and oil fill instructions given in the engine owner's manual.

NOTE: The generator's revolving field rides on a prelubricated and sealed ball bearing that requires no additional lubrication for the life of the bearing.

Add Fuel

WARNING! NEVER fill fuel tank indoors. NEVER fill fuel tank when engine is running or hot. Allow unit to cool for two minutes before refueling. DO NOT light a cigarette or smoke when filling the fuel tank.

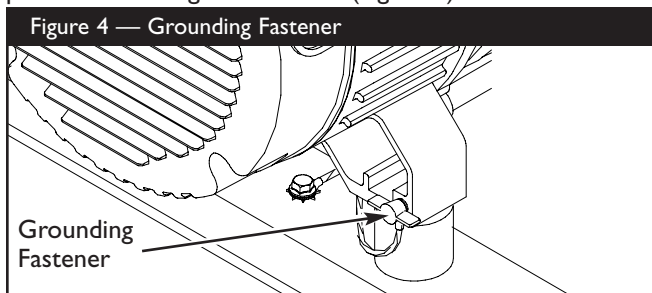
WARNING! DO NOT overfill the fuel tank. Always allow room for fuel expansion.

- Place generator on a level surface.
- Follow the fuel grade recommendations and fuel fill instructions given in the engine owner's manual.



GROUNDING THE GENERATOR

The National Electrical Code requires that the frame and external electrically conductive parts of this generator be properly connected to an approved earth ground. Local electrical codes may also require proper grounding of the unit. For that purpose, a **GROUNDING FASTENER** is provided on the generator end (Figure 4).



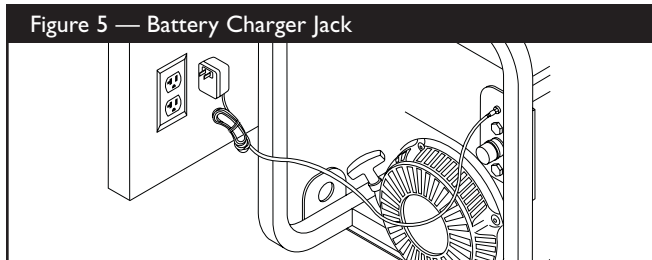
Generally, connecting a No. 12 AWG (American Wire Gauge) stranded copper wire to the grounding fastener and to an earth-driven copper or brass grounding rod (electrode) provides adequate protection against electrical shock. Be careful to keep the grounding wire attached after connecting the stranded copper wire. However, local codes may vary widely. Consult with a local electrician for grounding requirements in your area.

Properly grounding the generator helps prevent electrical shock if a ground fault condition exists in the generator or in connected electrical devices, especially when the unit is equipped with a wheel kit. Proper grounding also helps dissipate static electricity, which often builds up in ungrounded devices.

BATTERY CHARGER

If equipped, use battery float charger jack to keep the starting battery charged and ready for use. Battery charging should be done in a dry location, such as inside a garage.

- Plug the charger into the unit's "Battery Float Charger" jack, which is located on the starter switch (Figure 5). Plug battery charger into a 120 Volt AC wall receptacle.



- Unplug the charger from the unit and the wall outlet when generator is being started and while it is in operation.
- Keep this charger plugged in when generator is not in use to prolong battery life. The charger has a built in float equalizer and will not overcharge the battery, even when plugged in for an extended period of time.

IMPORTANT: See "Battery Maintenance" on page 12 for additional information.

OPERATING THE GENERATOR

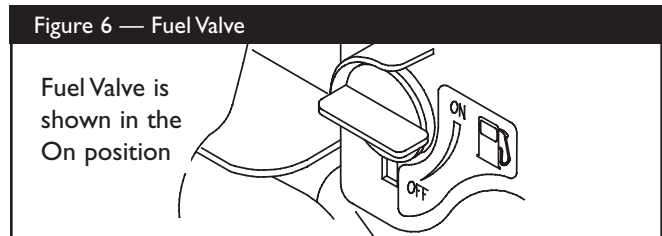
CAUTION! NEVER start or stop the engine with electrical loads connected to the receptacles AND with the connected devices turned ON.

IMPORTANT: Always unplug the battery float charger before starting the generator.

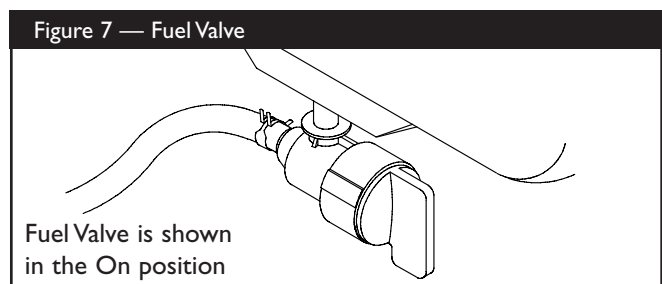
Starting the Engine

Disconnect all electrical loads from the generator. Use the following start instructions:

- For models with the fuel valve built into the engine, turn the fuel valve to the "On" position (Figure 6).



- For models with an overhead fuel tank, turn the fuel valve to the "On" position (Figure 7). The fuel valve handle should be vertical (pointing toward the ground) for fuel to flow.



- Start the engine according to instructions given in the engine owner's manual.



Connecting Electrical Loads

- Let engine stabilize and warm up for a few minutes after starting.
- Plug in and turn on the desired 120 and/or 240 Volt AC, single phase, 60 Hz electrical loads.
- **DO NOT** connect 240 Volt loads to the 120 Volt duplex receptacles.
- **DO NOT** connect 3-phase loads to the generator.
- **DO NOT** connect 50 Hz loads to the generator.
- **DO NOT OVERLOAD THE GENERATOR.** See "Don't Overload the Generator" on page 11.

Stopping the Engine

- Unplug **all** electrical loads from generator panel receptacles. Never start or stop engine with electrical devices plugged in and turned **ON**.
- Let engine run at no-load for several minutes to stabilize the internal temperatures of engine and generator.
- Turn engine off according to instructions given in the engine owner's manual.
- Move the fuel valve to the "Off" position.

RECEPTACLES

The generator will be equipped with one or more of the following receptacles:

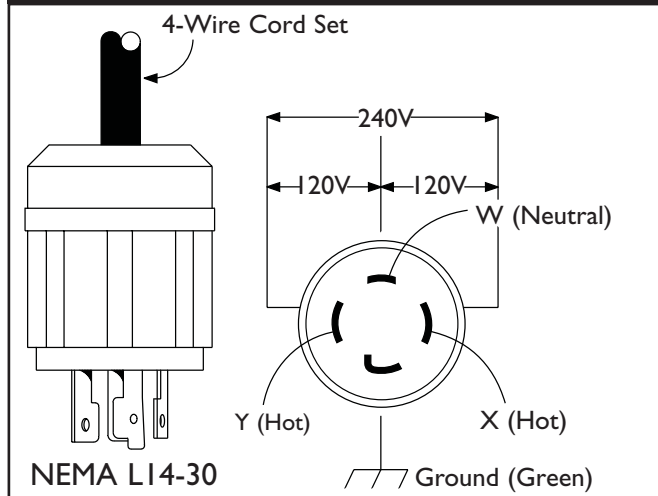
120/240 Volt AC, 30 Amp, Locking Receptacle

Use a NEMA L14-30 plug with this receptacle. Connect a 4-wire cord set rated for 250 Volt AC loads at 30 Amps (or greater) (Figure 8). You can use the same 4-wire cord if you plan to run a 120 Volt load.

This receptacle powers 120/240 Volt AC, 60 Hz, single phase loads requiring up to 6,000 watts of power (6.0 kW) at 30 Amps for 120 Volts or 240 Volts. The outlet is protected by a push-to-reset circuit breaker.

CAUTION! Although this outlet states it has a 120/240 Volt 30 Amp rating (up to 7,200 watts), the generator may only be rated for up to 6,000 watts. Powering loads that exceed the wattage/amperage capacity of the generator can damage it or cause serious injuries.

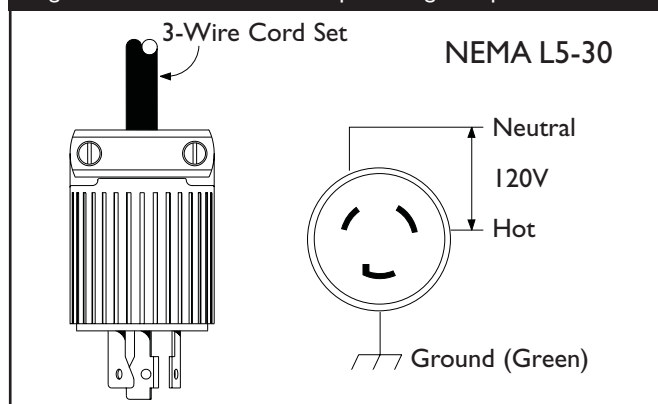
Figure 8 — 120/240 Volt AC, 30 Amp Receptacle



120 Volt AC, 30 Amp Locking Receptacle

Use a NEMA L5-30 plug with this receptacle. Connect a 3-wire cord set rated for 125 Volts AC at 30 Amps to the plug (Figure 9).

Figure 9 — 120 Volt AC, 30 Amp, Locking Receptacle



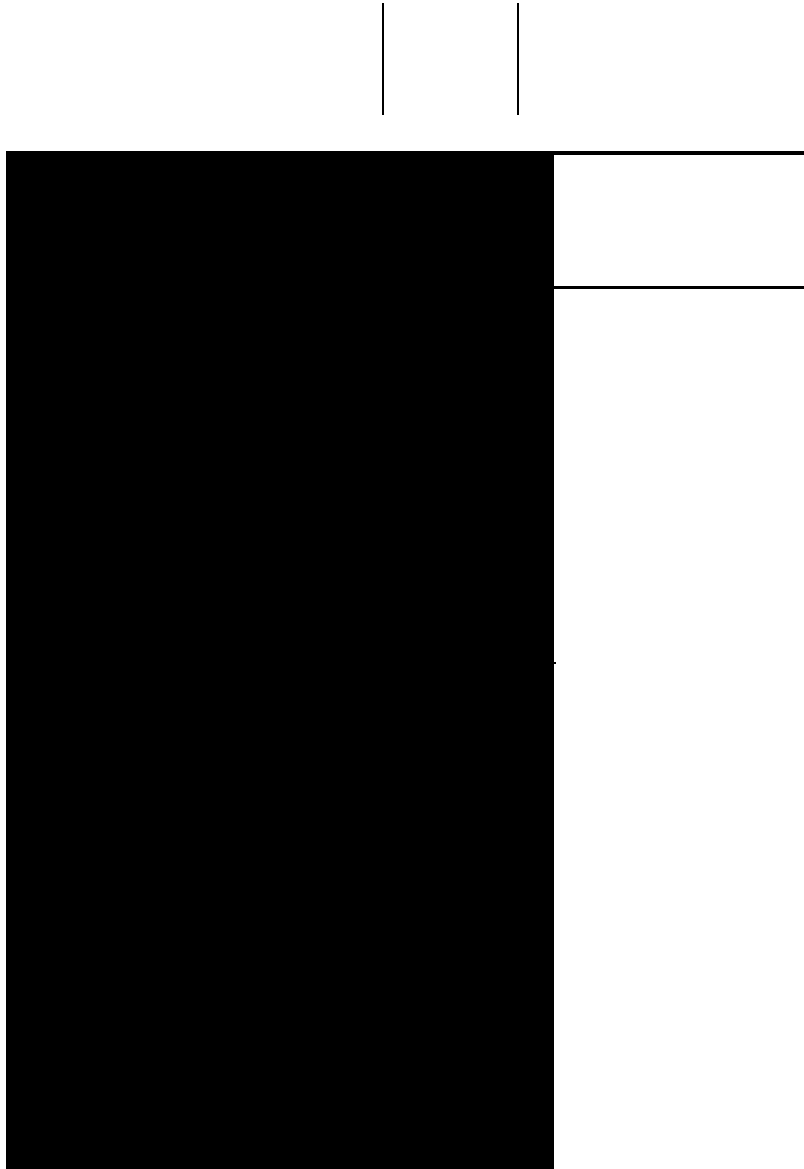
Use this receptacle to operate 120 Volt AC, 60 Hz, single phase loads requiring up to 3,600 watts (3.6 kW) of power at 30 Amps. The outlet is protected by a push-to-reset circuit breaker.

CAUTION! Although this outlet is rated for 120 Volt 30 Amp (up to 3,600 watts), the generator may only be rated for 3,250 watts at 27 Amps. Powering loads that exceed the wattage/amperage capacity of the generator can damage it or cause serious injuries.



Portable Generator







GENERAL MAINTENANCE RECOMMENDATIONS

The Owner/Operator is responsible for making sure that all periodic maintenance tasks are completed on a timely basis; that all discrepancies are corrected; and that the unit is kept clean and properly stored. **NEVER** operate a damaged or defective generator.

Engine Maintenance

See engine owner's manual for instructions.



CAUTION! Avoid prolonged or repeated skin contact with used motor oil. Used motor oil has been shown to cause skin cancer in certain laboratory animals. Thoroughly wash exposed areas with soap and water.

KEEP OUT OF REACH OF CHILDREN. DON'T POLLUTE. CONSERVE RESOURCES. RETURN USED OIL TO COLLECTION CENTERS.

Generator Maintenance

Generator maintenance consists of keeping the unit clean and dry. Operate and store the unit in a clean dry environment where it will not be exposed to excessive dust, dirt, moisture or any corrosive vapors. Cooling air slots in the generator must not become clogged with snow, leaves or any other foreign material.

NOTE: DO NOT use a garden hose to clean generator. Water can enter engine fuel system and cause problems. In addition, if water enters generator through cooling air slots, some of the water will be retained in voids and cracks of the rotor and stator winding insulation. Water and dirt buildup on the generator internal windings will eventually decrease the insulation resistance of these windings.

Battery Maintenance

Other than float charging, described elsewhere, no maintenance is required for the starting battery. Keep the battery and terminals clean and dry.

IMPORTANT: Battery charging should be performed in a dry location, such as inside a garage.

To Clean the Generator



CAUTION! NEVER insert any object or tool through the air cooling slots, even if the engine is not running.

- Use a damp cloth to wipe exterior surfaces clean.
- A soft bristle brush may be used to loosen caked on dirt or oil.
- A vacuum cleaner may be used to pick up loose dirt and debris.
- Low pressure air (not to exceed 25 psi) may be used to blow away dirt. Inspect cooling air slots and opening on generator. These openings must be kept clean and unobstructed.



STORAGE

The generator should be started at least once every seven days and allowed to run at least 30 minutes. If this cannot be done and you must store the unit for more than 30 days, use the following guidelines to prepare it for storage.

Generator Storage

- Clean the generator as outlined in “To Clean the Generator.”
- Check that cooling air slots and openings on generator are open and unobstructed.



CAUTION! Storage covers can be flammable. **DO NOT** place a storage cover over a hot generator. Let the unit cool for a sufficient time before placing the cover on the unit.

Engine Storage

See engine owner’s manual for instructions.

Other Storage Tips

- To prevent gum from forming in fuel system or on essential carburetor parts, add fuel stabilizer into fuel tank and fill with fresh fuel. Run the unit for several minutes to circulate the additive through the carburetor. The unit and fuel can then be stored for up to 24 months. Fuel stabilizer can be purchased locally.
- Do Not store fuel from one season to another unless it has been treated as described above.
- Replace fuel container if it starts to rust. Rust and/or dirt in fuel can cause problems if it's used with this unit.
- Store unit in a clean and dry area.



Portable Generator



BRIGGS & STRATTON POWER PRODUCTS GROUP, LLC EQUIPMENT OWNER WARRANTY POLICY

LIMITED WARRANTY

Briggs & Stratton Power Products Group, LLC will repair or replace, free of charge, any part(s), of the equipment that is defective in material or workmanship or both. Transportation charges on parts submitted for repair or replacement under this warranty must be borne by purchaser. This warranty is effective for the time periods and subject to the conditions stated below. For warranty service, find the nearest Authorized Service Dealer in our dealer locator map at www.briggspowerproducts.com.

THERE IS NO OTHER EXPRESS WARRANTY. IMPLIED WARRANTIES, INCLUDING THOSE OF MERCHANTABILITY AND FITNESS FOR A PARTICULAR PURPOSE, ARE LIMITED TO ONE YEAR FROM PURCHASE, OR TO THE EXTENT PERMITTED BY LAW ANY AND ALL IMPLIED WARRANTIES ARE EXCLUDED. LIABILITY FOR INCIDENTAL OR CONSEQUENTIAL DAMAGES ARE EXCLUDED TO THE EXTENT EXCLUSION IS PERMITTED BY LAW. Some states or countries do not allow limitations on how long an implied warranty lasts, and some states or countries do not allow the exclusion or limitation of incidental or consequential damages, so the above limitation and exclusion may not apply to you. This warranty gives you specific legal rights and you may also have other rights which vary from state to state or country to country.

OUR EQUIPMENT*

OUTBOARD MOTOR	PRESSURE WASHER	WATER PUMP (Not available in the USA)	PORTABLE GENERATOR	HOME GENERATOR SYSTEM (Includes Transfer Switch, if sold with equipment.)	TRANSFER SWITCH
				Less than 10 KW	10 KW or greater

WARRANTY PERIOD**

Consumer Use	2 years	1 year	1 year	2 years	2 years	3 years or 1500 hours	1 year
Commercial Use	none	90 days	90 days	1 year	1 year		

* The engine and starting batteries are warranted solely by the manufacturers of those products.

** 2 years for all consumer products in the European Union. Parts only on 2nd year for consumer use of Portable Generator and Home Generator System - Less than 10 KW, outside of European Union.

The warranty period begins on the date of purchase by the first retail consumer or commercial end user, and continues for the period of time stated in the table above. "Consumer use" means personal residential household use by a retail consumer. "Commercial use" means all other uses, including use for commercial, income producing or rental purposes. Once equipment has experienced commercial use, it shall thereafter be considered as commercial use for purposes of this warranty. **Equipment used for Prime Power in place of utility are not applicable to this warranty. Electric Powered Pressure Washers used for commercial purposes are not warranted.**

NO WARRANTY REGISTRATION IS NECESSARY TO OBTAIN WARRANTY ON BRIGGS & STRATTON PRODUCTS. SAVE YOUR PROOF OF PURCHASE RECEIPT. IF YOU DO NOT PROVIDE PROOF OF THE INITIAL PURCHASE DATE AT THE TIME WARRANTY SERVICE IS REQUESTED, THE MANUFACTURING DATE OF THE PRODUCT WILL BE USED TO DETERMINE THE WARRANTY PERIOD.

ABOUT YOUR EQUIPMENT WARRANTY

We welcome warranty repair and apologize to you for being inconvenienced. Any Authorized Service Dealer may perform warranty repairs. Most warranty repairs are handled routinely, but sometimes requests for warranty service may not be appropriate. For example, warranty service would not apply if equipment damage occurred because of misuse, lack of routine maintenance, shipping, handling, warehousing or improper installation. Similarly, the warranty is void if the manufacturing date or the serial number on the equipment has been removed or the equipment has been altered or modified. During the warranty period, the Authorized Service Dealer, at its option, will repair or replace any part that, upon examination, is found to be defective under normal use and service. This warranty will not cover the following repairs and equipment:

- **Normal Wear:** Outdoor Power Equipment, like all mechanical devices, needs periodic parts and service to perform well. This warranty does not cover repair when normal use has exhausted the life of a part or the equipment.
- **Installation and Maintenance:** This warranty does not apply to equipment or parts that have been subjected to improper or unauthorized installation or alteration and modification, misuse, negligence, accident, overloading, overspeeding, improper maintenance, repair or storage so as, in our judgment, to adversely affect its performance and reliability. This warranty also does not cover normal maintenance such as adjustments, fuel system cleaning and obstruction (due to chemical, dirt, carbon, lime, etc.).
- **Other Exclusions:** This warranty excludes wear items such as quick couplers, oil gauges, belts, o-rings, filters, pump packing, etc., pumps that have been run without water supplied or damage or malfunctions resulting from accidents, abuse, modifications, alterations, or improper servicing or freezing or chemical deterioration. Accessory parts such as guns, hoses, wands and nozzles are excluded from the product warranty. Also excluded is used, reconditioned, and demonstration equipment; equipment used for prime power in place of utility power and equipment used in life support applications.

BRIGGS & STRATTON POWER PRODUCTS GROUP, LLC
JEFFERSON, WI, USA



Génératrice portative



! DANGER



Le générateur, lorsqu'il fonctionne, produit du monoxyde de carbone, un gaz toxique inodore et incolore. Le fait de respirer du monoxyde de carbone provoque des nausées, des évanouissements ou peut être fatal.

- Faites fonctionner le générateur SEULEMENT à l'extérieur.
- Laissez un espace d'au moins 2 pieds tout autour du générateur, pour permettre une ventilation adéquate.
- NE FAITES PAS fonctionner le générateur à l'intérieur d'un bâtiment ou d'un abri, y compris à l'intérieur du compartiment d'un véhicule de plaisance.

! DANGER



Si la génératrice n'est pas mise à la masse comme il se doit, il y a risque d'électrocution, particulièrement si la génératrice est équipée de roues.

- Le Code national de l'électricité requiert que le générateur soit correctement relié à la terre par un branchement homologué. Faites appel à un électricien pour connaître les exigences de mise à la terre régionales.

! DANGER



Le générateur produit une tension élevée. Ne pas isoler le générateur de l'installation électrique risque de provoquer des blessures ou même d'être fatal pour les ouvriers électriciens et de causer des dommages au générateur dus à un "backfeed" d'énergie électrique.

- Lorsque vous utilisez le générateur comme source d'énergie de secours, il est nécessaire d'aviser les services publics d'électricité.
- Utilisez un disjoncteur différentiel lorsque vous utilisez l'appareil dans des endroits humides ou extrêmement conductibles, comme les terrasses en métal ou les ouvrages métalliques.
- NE touchez pas les fils dénudés ou les boîtiers.
- N'UTILISEZ pas le générateur avec des cordons électriques usés, effilochés ou dénudés, ou abîmés de quelque sorte que ce soit.
- N'UTILISEZ pas le générateur sous la pluie.
- NE manipulez pas le générateur ou les cordons d'alimentation lorsque vous êtes debout dans l'eau, pieds nus ou avec les mains ou les pieds humides.
- NE laissez pas des personnes non qualifiées ou des enfants se servir ou réparer le générateur.

! AVERTISSEMENT

- Cette génératrice ne satisfait pas aux normes U. S. Coast Guard Regulation 33CFR-183 et ne doit pas être utilisée pour des applications marines.
- L'omission d'utiliser une génératrice appropriée et approuvée par U. S. Coast Guard pourrait entraîner des blessures corporelles ou des dommages matériels.

! DANGER



Les batteries d'accumulateur produisent du gaz hydrogène explosif lorsqu'elles se rechargent. Le gaz hydrogène stagne autour de la batterie longtemps après qu'elle ait été chargée. La plus petite étincelle enflammera l'hydrogène et provoquera une explosion. Vous pouvez devenir aveugle ou vous blesser gravement.



Le liquide d'électrolyte de l'accumulateur contient de l'acide et est extrêmement caustique. Le contact avec le liquide de l'accumulateur provoquera de graves brûlures chimiques.

- Ne laissez aucune flamme, étincelle, source de chaleur ou cigarette allumée pendant ou plusieurs minutes suivant la charge de l'accumulateur.
- Portez des lunettes de protection, un tablier et des gants en caoutchouc.

! AVERTISSEMENT



L'essence et ses vapeurs sont extrêmement inflammables et explosives.



Le feu ou l'explosion risque de provoquer des blessures graves, pouvant être fatales.

LORSQUE VOUS AJOUTEZ DU CARBURANT

- Éteignez le générateur et laissez-le refroidir au moins 2 minutes avant de retirer le capuchon du réservoir de carburant. Desserrez lentement le capuchon pour laisser la pression s'échapper du réservoir.
- Remplissez toujours le réservoir à essence à l'extérieur.
- NE REMPLISSEZ PAS trop le réservoir. Laissez 1,5 pouce pour l'expansion de l'essence.
- Éloignez l'essence des étincelles, des flammes, des veilleuses, de la chaleur et de toute autre source d'inflammation.
- N'ALLUMEZ PAS de cigarette ou ne fumez pas à proximité de l'appareil.

LORSQUE L'ÉQUIPEMENT FONCTIONNE

- NE PENCHEZ PAS le moteur ou l'équipement, vous risqueriez de renverser de l'essence.
- Cette génératrice n'est pas conçue pour être utilisée dans de l'équipement mobile ou les applications marines.

LORSQUE VOUS TRANSPORTEZ OU RÉPAREZ L'ÉQUIPEMENT


- Transportez ou réparez l'appareil lorsque le réservoir d'essence est VIDE, ou lorsque la soupape d'arrêt d'essence est FERMÉE.
- Débranchez le câble de bougie.

LORSQUE VOUS ENTREPOSEZ L'ESSENCE OU UN ÉQUIPEMENT AVEC UN RÉSERVOIR À ESSENCE

- Entreposez-le loin des appareils de chauffage, des fours, des chauffe-eau, des sècheuses ou de tout autre appareil électroménager disposant d'une veilleuse ou de toute autre source d'inflammation risquant d'enflammer les vapeurs d'essence.



AVERTISSEMENT

 Unintentional peut résulter dans feu ou électrique.

LORSQUE VOUS RÉGLEZ OU RÉPAREZ VOTRE GÉNÉRATEUR

- Débranchez toujours le câble de bougie et placez-le de façon à ce qu'il ne soit pas en contact avec la bougie.

AVERTISSEMENT

 Les moteurs en fonctionnement produisent de la chaleur. La température du silencieux et des endroits à proximité peuvent atteindre, voire dépasser 150°F (65°C). Le contact de ces pièces risque de causer de graves brûlures.

- NE TOUCHEZ PAS les surfaces chaudes.
- Laissez l'équipement refroidir avant de le toucher.

ATTENTION

Les vitesses de fonctionnement excessivement élevées augmentent les risques de blessure ou risquent d'endommager le générateur.
Les vitesses extrêmement lentes entraînent une charge importante.

- NE TRAFIQUEZ PAS la vitesse réglée. Le générateur produit une fréquence nominale et une tension correctes lorsqu'il fonctionne à une vitesse réglée.
- NE modifiez le générateur d'aucune façon.

ATTENTION

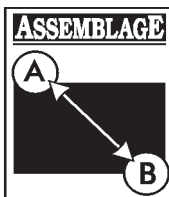
Dépasser la capacité de puissance ou d'ampérage du générateur risque d'endommager ce dernier et/ou les autres appareils électriques qui y sont branchés.

- Voir la section " Ne surchargez pas votre générateur " à la page 25.
- Démarrez le générateur et laissez le moteur se stabiliser avant de brancher les charges électriques.
- Branchez les charges électriques en position ARRÊT, puis, remettez en position MARCHÉ.
- Éteignez les charges électriques et débranchez-les du générateur avant de l'arrêter.

ATTENTION

Un traitement inapproprié du générateur risque de l'endommager et de raccourcir sa durée d'utilisation.

- NE vous servez du générateur que pour les utilisations prévues.
- Si vous avez des questions concernant les utilisations prévues, demandez à votre distributeur ou contactez Négociant autorisé.
- Ne faites fonctionner le générateur que sur des surfaces horizontales.
- N'EXPOSEZ pas le générateur à une humidité excessive, à de la poussière, à de la saleté ou à des vapeurs corrosives.
- N'INSÉREZ aucun objet dans les fentes de refroidissement.
- Si les appareils branchés sont en surchauffe, éteignez-les et débranchez-les du générateur.
- Arrêtez le générateur si :
 - la puissance électrique est inexistante;
 - l'équipement produit des étincelles, de la fumée ou des flammes;
 - l'unité vibre excessivement.



ASSEMBLAGE

Votre générateur exige que quelque assemblée et soit prêt pour l'usage après il a été convenablement entretenu avec le pétrole et le carburant recommandés.

Si vous avez n'importe quels problèmes avec l'assemblage de votre générateur, s'il vous plaît appeler le helpline de générateur à 1-800-743-4115. Si vous téléphonez pour obtenir de l'aide, veuillez avoir disponibles les renseignements du données étiquettent: numéro de modèle, de révision et de série.

INSTALLE LA ROUE LA TROUSSE

REMARQUE: Si votre appareil est doté de roues de 25 cm (10 po), veuillez suivre les instructions ci-dessous. Si votre appareil est doté de roues de 20 cm (8 po), veuillez suivre les instructions à la page 20.

Les roues ont été conçues pour améliorer la portabilité de votre génératrice.

REMARQUE: Les roues n'ont pas été conçues pour le transport de la génératrice sur la route.

Pour installer cet ensemble, vous aurez besoin d'une clé munie de douilles de 1/2 po ou de 13 mm ainsi que de pinces à becs fins.

Installez les roues de 25 cm (10 po) comme suit (figure 13)

1. Placez le fond du berceau de la génératrice sur une surface plate et unie. Pour faciliter l'assemblage, placez temporairement l'appareil sur des blocs.

2. Faites glisser l'essieu dans les deux supports de fixation de l'essieu sur le cadre du berceau, tel qu'illustré à la figure 13.
3. Faites glisser une roue sur l'essieu.

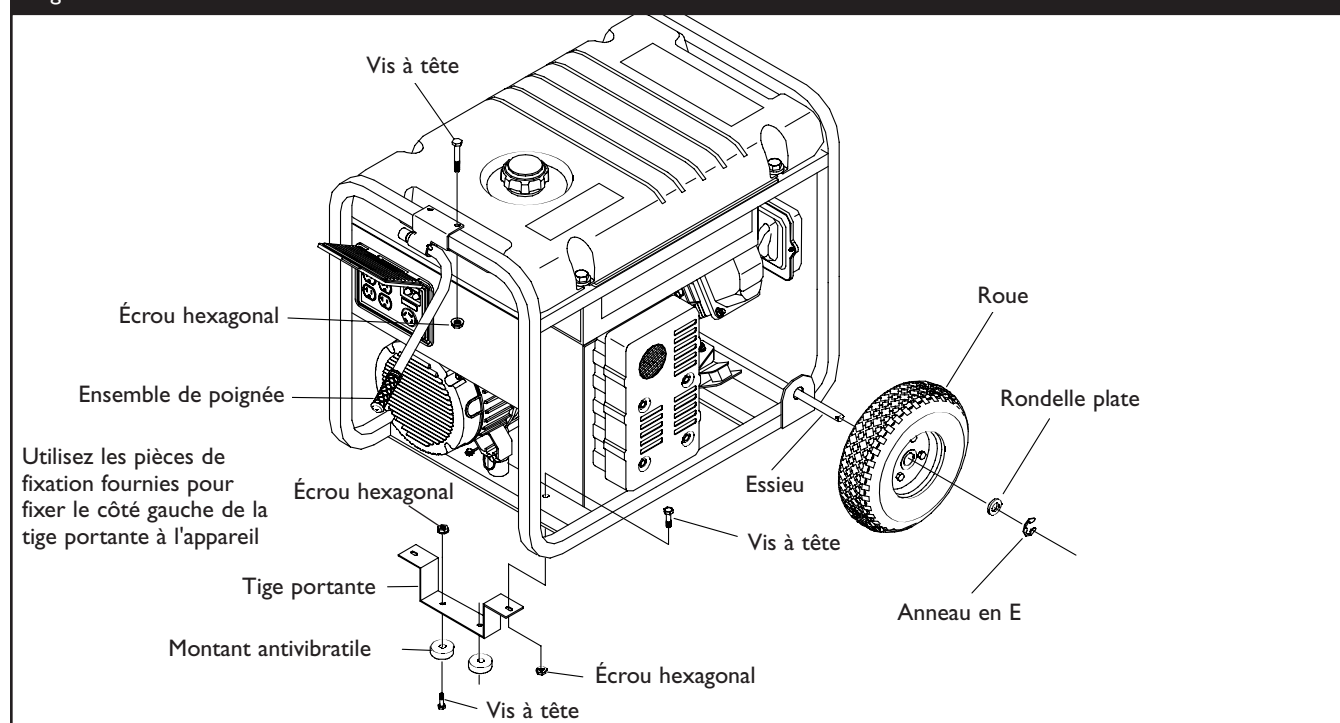
REMARQUE: Assurez-vous de poser les deux roues avec la valve à pneu pointant vers l'extérieur.

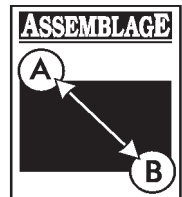
4. Posez l'anneau en E sur la rainure de l'essieu. Posez la rondelle plate si vous le désirez.

REMARQUE: Le cas échéant, utilisez des tiges de retenue au lieu d'anneaux en E.

5. Placez un bout des pinces à becs fins au-dessous de l'essieu et l'autre bout au-dessus de l'anneau en E. Bloquez l'anneau en E en serrant les pinces.
6. Répétez les étapes 3 à 5 pour la pose de la deuxième roue.
7. Enlevez les blocs temporaires.
8. Fixez les montants antivibratiles à la tige portante avec des vis à tête de 30 mm et des contre-écrous.
9. Pour faciliter la pose de la tige portante, faites reposer la génératrice sur le berceau avec l'extrémité moteur vers le bas. Enlevez les pièces de fixation déjà installées sur le montant antivibratile gauche à l'aide d'une clé de 13 mm. Utilisez ces pièces pour fixer la tige portante.
10. Fixez l'autre côté de la tige portante avec une vis à tête de 20 mm et un contre-écrou. Faites reposer la génératrice sur les roues et la tige portante.

Figure 13 — Installe la roue la trousse

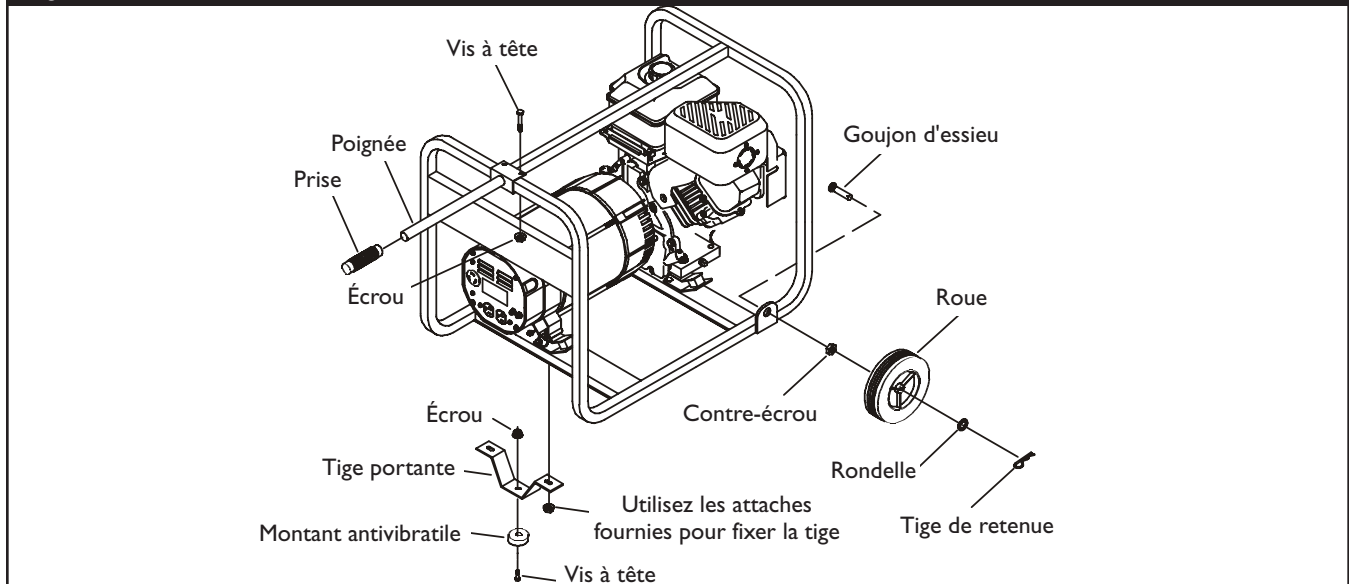


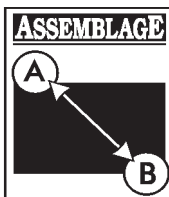


11. Centrez le support de la poignée sur le cadre de la génératrice côté tige portante du berceau, tel qu'indiqué dans l'illustration.
 12. Fixez le support de la poignée à l'aide de deux vis d'assemblage M8 x 45 mm et de deux contre-écrous hexagonaux.
 13. Assurez-vous que chaque fixation est solide et que la pression des pneus se situe entre 15 et 40 lb/po².
- Installez les roues de 20 cm (8 po) comme suit (figure 14)**
1. Placez le fond du berceau de la génératrice sur une surface plate.
 2. Enfilez le goujon de l'essieu dans le dispositif de retenue du cadre du berceau.
 3. Utilisez une clé de 24 mm (15/16 po) pour fixer le goujon de l'essieu au cadre avec un contre-écrou de 5/8-18.
 4. Posez l'autre goujon d'essieu de la même manière.
 5. Inclinez l'appareil et posez la roue. Posez une rondelle plate sur le goujon d'essieu.
 6. Fixez la roue au goujon d'essieu avec une tige de retenue. Installez l'autre roue sur l'autre arbre d'essieu de la même manière.
 7. Fixez le montant antivibratile à la tige portante avec une vis à tête et un contre-écrou.
 8. Enlevez les deux écrous avant du montant antivibratile à l'aide d'une clé de 13 mm. Utilisez ces écrous pour fixer la tige portante.
 9. Centrez la poignée de levage à l'extrémité génératrice du berceau. À l'aide de deux clés de 13 mm, fixez la poignée avec deux vis à tête et deux écrous hexagonaux.

REMARQUE: Assurez-vous de placer la roue avec le moyeu surélevé du côté intérieur.

Figure 14 — Installe la roue la trousse





DÉMARRAGE ÉLECTRIQUE

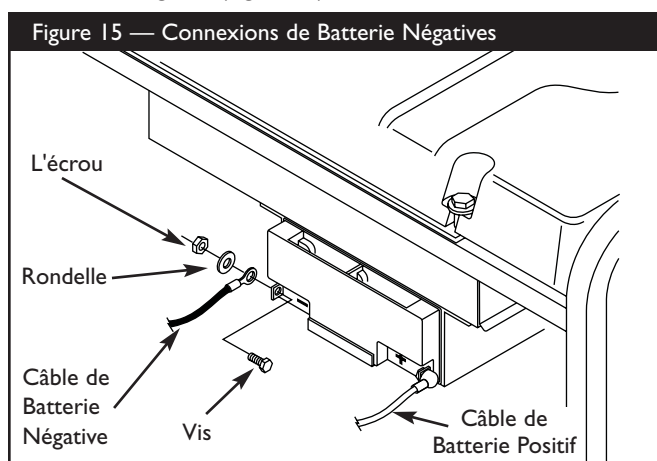
REMARQUE: La génératrice peut être démarrée manuellement. Si vous décidez de ne pas utiliser le démarreur électrique de la génératrice, il n'est pas nécessaire d'installer la batterie.

Vérifiez la Batterie/Fixez le Câble de Retour de la Batterie

La batterie scellée sur le générateur est complètement chargée et pré-installée, à l'exception du câble (noir) de la batterie.

Installation:

- Coupez la ceinture de câble pour libérer l'extrémité de retour (noire) du câble.
- Enlevez l'écrou et la rondelle de borne négative de batterie.
- Glissez le câble négative de batterie au-dessus de la vis sur le terminal négative (Figure 15).



- Rattachez la rondelle et l'écrou et serrez.
- Vérifiez que les branchements de la batterie et du générateur sont appropriés et sécuritaires.

AVANT LE DÉMARRAGE DU MOTEUR

Ajouter de l'Huile

ATTENTION! Toute tentative de faire démarrer le moteur avant de l'avoir rempli au bon niveau avec de l'huile recommandée causera la panne du moteur.

Pour ajouter de l'huile de moteur:

- Mettre le générateur sur une surface à niveau.
- Suivre les recommandations du degré de viscosité de l'huile et les instructions de remplissage d'huile données dans le manuel de l'utilisateur du moteur.

REMARQUE: Le champ tournant du générateur est porté par un roulement à billes pré-lubrifié et scellé qui ne nécessite aucune lubrification supplémentaire pendant toute la durée de vie du roulement.

Ajouter de l'essence

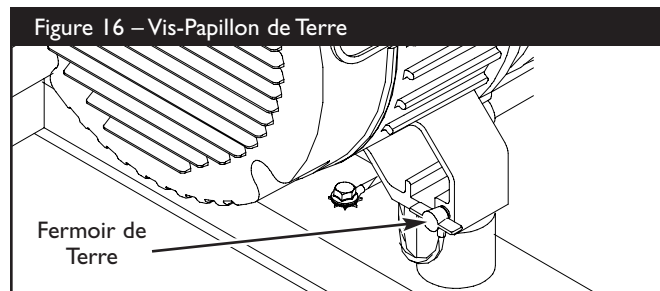
AVERTISSEMENT! NE REMPLISSEZ JAMAIS le réservoir à l'intérieur. NE REMPLISSEZ JAMAIS le réservoir lorsque le moteur est en marche ou lorsqu'il est chaud. Laissez la machine refroidir pendant deux minutes avant de remplir le réservoir. N'ALLUMEZ PAS une cigarette ou ne fumez pas lorsque vous remplissez le réservoir.

AVERTISSEMENT! NE PAS trop remplir le réservoir. Toujours laisser de la place pour la dilatation du carburant.

- Mettre le générateur sur une surface à niveau.
- Suivre les recommandations du degré de viscosité de carburant et les instructions de remplissage carburant données dans le manuel de l'utilisateur du moteur.

MISE À LA TERRE DU GÉNÉRATEUR

Le Code national d'électricité exige que le châssis et les pièces externes conductrices d'électricité de ce générateur soient reliés correctement à une terre approuvée. Les codes locaux d'électricité peuvent aussi exiger une mise à la terre appropriée du générateur. Dans ce but, il y a sur le châssis du berceau une fermoir (Figure 16) pour cette mise à la terre.



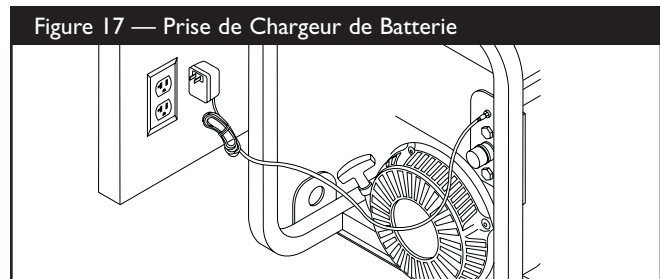
Habituellement, le fait de relier un fil de cuivre tressé No. 12 AWG (American Wire Gauge) à la vis-papillon et à une tige en cuivre ou en laiton (électrode) de mise à la terre enfoncée dans la terre fournit une protection adéquate contre les électrocutions. Cependant, les codes locaux peuvent varier beaucoup. Consultez un électricien local pour les exigences en matière de mise à la terre dans votre région. S'assurez de garder le fil de terre attaché lorsque vous reliez l'électrode.

Une bonne mise à la terre de votre générateur vous aidera à ne pas vous électrocuter en cas de condition de défaut à la terre dans le générateur ou dans les appareils électriques qui y seraient branchés, particulièrement si la génératrice est équipée de roues. Une bonne mise à la terre peut également aider à la dissipation de l'électricité statique qui s'amoncele souvent dans les appareils sans mise à la terre.

CHARGEUR DE BATTERIE

Utilisez une prise de chargeur de flotteur pour que la batterie de démarrage reste chargée et prête à l'utilisation. Le chargement de la batterie doit être effectué dans un endroit sec, à l'intérieur d'un garage par exemple.

- Branchez le chargeur à la prise "Chargeur de flotteur de la batterie", située sur l'interrupteur de démarrage (Figure 17). Branchez le chargeur de la batterie dans une prise de courant murale de 120 volts c.a..



- Débranchez le chargeur de l'appareil et de la prise de courant lorsque vous démarrez le générateur et lorsqu'il est en marche.
- Laissez le chargeur branché lorsque le générateur n'est pas utilisé; vous prolongerez ainsi la durée de vie de la batterie. Le chargeur est équipé d'un stabilisateur et ne surchargera pas la batterie, même lorsque vous le laissez branché pendant une longue période.

IMPORTANT: Voir la section "Entretien de la batterie" à la page 26, pour de plus amples renseignements.

UTILISATION DU GÉNÉRATEUR

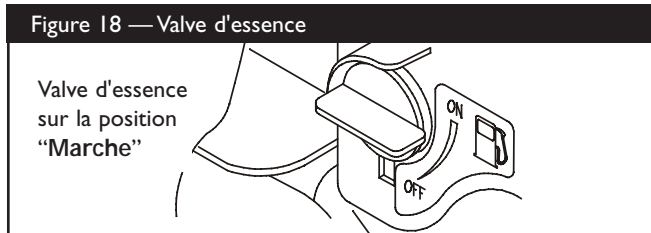
ATTENTION! NE JAMAIS démarrer ou arrêter le moteur alors que les appareils électriques sont branchés dans les prises ET en MARCHÉ.

IMPORTANT: Débranchez toujours le chargeur de flotteur de la batterie avant de démarrer le générateur.

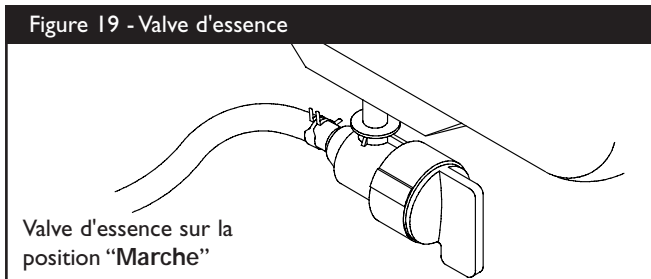
Démarrage du Moteur

Déconnectez toutes les charges électriques du générateur. Suivez ces étapes d'instructions de démarrage:

- Pour les modèles avec la valve d'essence a intégré dans le moteur, tournez la valve d'essence sur la position "On" (Marche) (Figure 18).



- Pour les modèles avec un réservoir de carburant d'haut, tournez la valve d'essence sur la position "On" (Marche) (Figure 19). La poignée de valve d'essence doit être verticale (indiquer vers le sol) pour le carburant pour couler.



- Pour démarrer le moteur, suivez les instructions qui figurent dans le manuel d'utilisation.

Branchement des Charges Électriques

- Laissez le moteur se stabiliser et chauffer pendant quelques minutes avant de démarrer.



- Brancher et mettre en marche les charges électriques de 120 et/ou 240 Volts CA, monophasées de 60 Hertz désirées.
- NE PAS brancher des charges de 240 Volts à des prises de 120 Volts.
- NE PAS brancher des charges triphasées au générateur.
- NE PAS brancher des charges de 50 Hertz au générateur.
- NE PAS SURCHARGER GÉNÉRATEUR. Voir la section "Ne Pas Surcharger Générateur" à la page 25.

Arrêt du Moteur

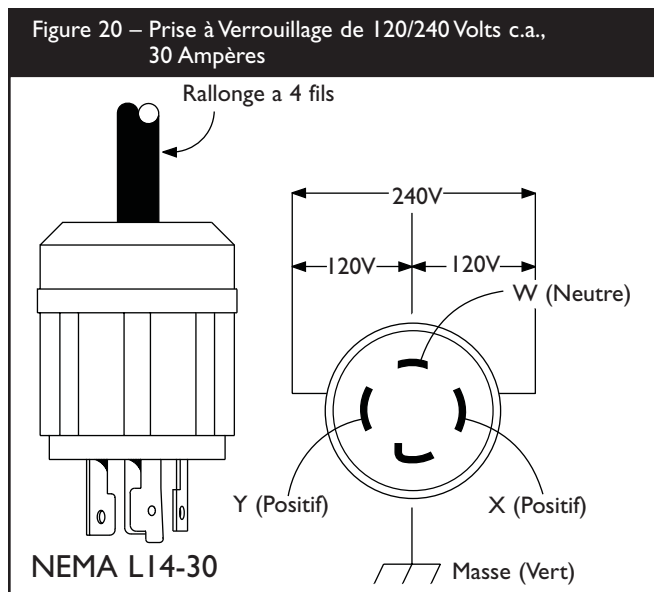
- Débrancher toutes les charges électriques des prises du générateur. NE JAMAIS mettre en route ou arrêter le moteur alors que les appareils électriques sont branchés et en marche.
- Laissez le moteur tourner à vide pendant 30 secondes pour stabiliser les températures internes du moteur et du générateur.
- Pour éteindre le moteur, suivez les instructions qui figurent dans le manuel d'utilisation.
- Fermer le robinet d'arrivée d'essence.

PRISES DE COURANT

La génératrice est équipée d'une ou de plusieurs des prises suivantes:

Prise à Verrouillage de 120/240 Volts c.a., 30 Ampères

Utilisez une prise mâle du NEMA L14-30 avec cette prise femelle. Reliez une rallonge à quatre câbles de 250 Volts c.a. à 30 Ampères ou davantage (Figure 20). Vous pouvez utiliser la même rallonge à quatre câbles si vous avez l'intention de ne faire marcher qu'une charge de 120 Volts.

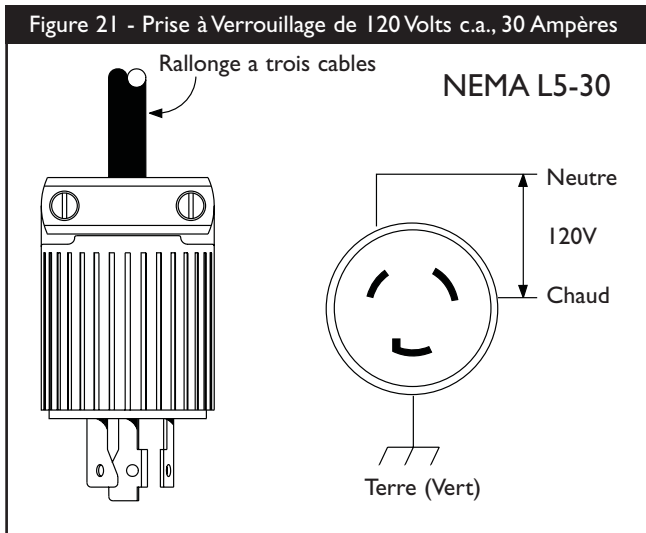


Cette prise donne du courant à des charges de 120/240 Volts c.a., 60 Hertz, monophasées, nécessitant jusqu'à 3,600 watts de puissance (3,6 kW) à 30 Ampères pour 120 Volts; 6,000 watts de puissance (6,0 kW) à 30 Ampères pour 240 Volts. Un disjoncteur protège la prise.

ATTENTION! Bien que cette prise soit marquée 120/240 Volts 30 Ampères (jusqu'à 7,200 watts), le générateur n'est étalonné que pour 6,000 watts. Le fait de fournir du courant à des charges dépassant la capacité en watts et en ampères du générateur peut endommager celui-ci ou causer de graves blessures corporelles. Les charges de 240 Volts mises sous tension grâce à cette prise de doivent pas excéder 25,0 Ampères de courant.

Prise à Verrouillage de 120 Volts c.a., 30 Ampères

Utilisez une prise mâle NEMA L5-30 avec cette prise femelle. Reliez une rallonge à trois câbles de 125 Volts c.a. à 30 Ampères à la prise ou davantage à cette prise (Figure 21).



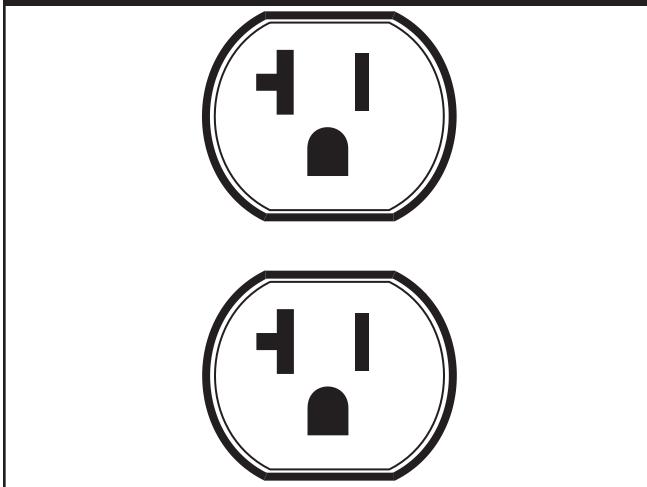
Utilisez cette prise pour faire marcher des charges de 120 Volts c.a., 60 Hertz, monophasées, nécessitant jusqu'à 3,600 Watts (3,6 kW) de puissance à 30 Ampères. Un disjoncteur protège la prise.

ATTENTION! Bien que cette prise soit marquée 120 Volts 30 Ampères (jusqu'à 3,600 watts), le générateur n'est étalonné que pour 3,250 watts. Le fait de fournir du courant à des charges dépassant la capacité en watts et en ampères du générateur peut endommager celui-ci ou causer de graves blessures corporelles. Les charges de 120 Volts mises sous tension grâce à cette prise de doivent pas excéder 27,0 Ampères de courant.

120 Volts c.a., 20 Ampères Prise de Courant Double

Chaque prise de courant (Figure 22) est protégée contre la surcharge par un disjoncteur que l'on pousse pour ré-enclencher de 20 ampères.

Figure 22 — 120 Volts c.a., 20 Ampères Prise de Courant Double



Utilisez chaque prise de courant pour faire fonctionner les charges électriques de 120 volts c.a., monophasées, 60 Hz nécessitant jusqu'à 2,400 watts (2,4 KW) à 20 ampères.



ATTENTION! Bien que cette prise soit marquée 120 Volts 20 Ampères (jusqu'à 80 Ampères), le générateur n'est étalonné que pour 27 Ampères. Le fait de fournir du courant à des charges dépassant la capacité en watts et en ampères du générateur peut endommager celui-ci ou causer de graves blessures corporelles.

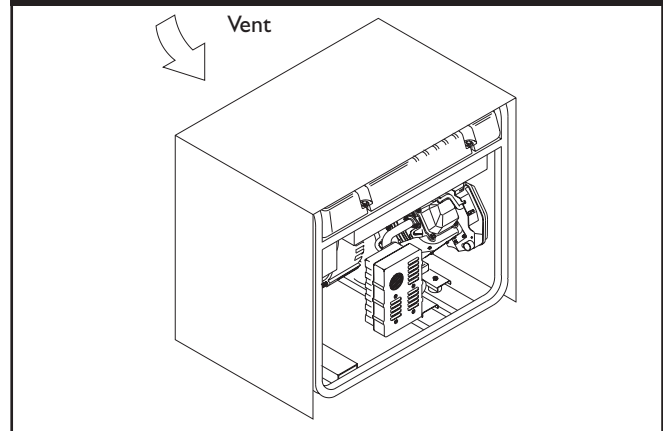
EXPLOITATION PAR TEMPS FROID

Dans certaines conditions climatiques (par températures inférieures à 40°F [4°C] et à point de rosée élevé), le carburateur et/ou le système de reniflard du carter de votre générateur risque de geler.

Construisez une structure qui abritera trois côtés et le sommet du générateur.

- Assurez-vous que le côté où se trouve le silencieux du générateur soit dégagé. Votre générateur peut sembler différent de ce qui est illustré à la Figure 23.

Figure 23 — Abri Permanent Pour Temps Froids



- Laissez un espace de deux pieds minimum entre le côté ouvert de la boîte et l'objet le plus proche.
- Placez le côté apparent à l'abri du vent et des éléments.
- Le boîtier doit retenir suffisamment de chaleur générée par le générateur pour éviter tout problème.



ATTENTION! NE FAITES JAMAIS fonctionner l'appareil à l'intérieur. **N'ENFERMEZ PAS** le générateur plus que ce qui est illustré. Enlevez l'abri lorsque la température dépasse 40°F [4°C].



NE PAS SURCHARGEZ GÉNÉRATEUR

Capacité

Vous devez vous assurer que votre générateur puisse fournir suffisamment de puissance nominale (appareil en marche) et de surtension (au démarrage) pour les appareils que vous voulez alimenter en même temps. Suivez ces étapes simples:

1. Sélectionnez les appareils que vous voulez alimenter simultanément.
2. Additionnez la puissance nominale (en marche) de ces appareils. Vous obtiendrez le montant de puissance que votre générateur doit produire pour faire fonctionner ces appareils. Voir Figure 24.
3. Évaluez le nombre de watts de surtension dont vous aurez besoin (au démarrage). La puissance de surtension est la brève explosion de puissance nécessaire pour démarrer les outils à moteur électrique ou les appareils électroménagers comme une scie circulaire ou un réfrigérateur. Parce que tous les moteurs ne démarrent pas au même moment, vous pouvez évaluer la puissance de surtension totale en additionnant seulement le ou les article(s) pour le(s)quel(s) la puissance de surtension supplémentaire est la plus importante, à la puissance nominale indiquée à l'étape 2.

Exemple:

Outil ou appareil électroménager	Puissance nominale (appareil en marche)	Puissance de surtension supplémentaire (au démarrage)
Climatiseur de fenêtre	1200	1800
Réfrigérateur	800	1600
Congélateur	500	500
Téléviseur	500	-
Éclairage (75 watts)	75	-
	3075 watts au total pendant le fonctionnement	1800 watts de surtension

Puissance nominale (appareil en marche) = 3,075

Watts de surtension supplémentaire = 1,800

Puissance totale du générateur supplémentaire = 4,875

Gestion de la Consommation

Afin de prolonger la durée de vie de votre générateur et des accessoires, il est important de faire attention lorsque vous ajoutez des charges électriques à votre générateur. Aucun appareil ne doit être branché aux prises du générateur avant de démarrer le moteur. La manière correcte et sans aucun risque de gérer la consommation du générateur est d'ajouter séquentiellement des charges comme indiqué ci-dessous:

1. Démarrez le moteur comme l'indique ce manuel, sans aucun appareil branché au générateur.
2. Branchez et mettez en marche la première charge, la plus importante de préférence.

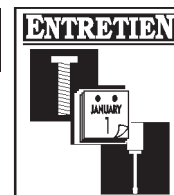
3. Laissez la puissance de sortie du générateur se stabiliser (le moteur tourne régulièrement et les dispositifs branchés fonctionnent correctement).
4. Branchez et mettez la charge suivante en marche.
5. De nouveau, laissez le générateur se stabiliser.
6. Répétez les étapes 4 et 5 pour chaque charge supplémentaire.

N'AJOUTEZ JAMAIS de charges supérieures à la puissance du générateur. Vérifiez particulièrement les charges de surtension de la capacité du générateur, comme il est indiqué ci-dessus.

Figure 24 - Tableau de Référence de Puissance

Outil ou appareil électroménager	Puissance nominale* (appareil en marche)	Puissance de surtension supplémentaire (au démarrage)
Essentiels		
Ampoule électrique de 75 watts	75	-
Surgélateur	500	500
Pompe de puisards	800	1200
Réfrigérateur/congélateur de 18 pi cu	800	1600
Pompe de puits à eau – 1/3 HP	1000	2000
Air chaud/air froid		
Courant continu – 10000 BTU	1200	1800
Ventilador de ventana	300	600
Ventilateur d'appareil de chauffage: ½ HP	800	1300
Cuisine		
Four à micro ondes de 1000 watts	1000	-
Cafetière	1500	-
Four électrique à élément unique	1500	-
Plaque de cuisson	2500	-
Salle familiale		
Lecteur de DVD/CD	100	-
Magnétoscope	100	-
Récepteur stéréo	450	-
Téléviseur couleur de 27 po	500	-
Ordinateur individuel avec moniteur de 17 po	800	-
Autres		
Système de sécurité	180	-
Radio/réveil AM/FM	300	-
Ouvre-porte de garage – 1/2 HP	480	520
Chauffe-eau électrique de 40 gallons	4000	-
Outils de bricolage/atelier		
Lampe de travail halogène	1000	-
Pulvérisateur sans air – 1/3 HP	600	1200
Scie alternative	960	960
Perceuse électrique – ½ HP	1000	1000
Scie circulaire – 7 ¼ po	1500	1500
Scie à onglets – 10 po	1800	1800
Raboteuse de table – 6 po	1800	1800
Scie d'établi/scie à bras radial – 10 po	2000	2000
Compresseur d'air – 1-1/2 HP	2500	2500

*La puissance indiquée ci-dessus est approximative. Vérifiez les outils ou les appareils électroménagers pour connaître leur puissance en watts.



RECOMMANDATIONS GÉNÉRALES D'ENTRETIEN

Le propriétaire/utilisateur est responsable de la complétion de toutes les tâches périodiques d'entretien en temps voulu; il doit s'assurer aussi que toutes anomalies sont corrigées; et que la machine est gardée propre et remise correctement. **NE JAMAIS** faire marcher un générateur endommagé ou défectueux.

Entretien du Moteur

Voit le manuel du propriétaire de moteur pour les instructions.



ATTENTION! Évitez tout contact cutané prolongé ou répété avec l'huile moteur usagée. Il a été démontré que l'huile moteur usagée risque de provoquer un cancer de la peau chez certains animaux de laboratoire. Rincez consciencieusement les zones exposées avec de l'eau et du savon.
GARDEZ HOS DE PORTÉE DES ENFANTS. NE POLLUEZ PAS. CONSERVEZ LE SURPLUS. RAPPORTEZ L'HUILE USAGÉE AUX CENTRES DE RECYCLAGE.

Entretien du Générateur

L'entretien du générateur consiste à le garder propre et sec. Faire marcher et remiser l'appareil dans un environnement propre et sec où celui-là ne sera pas exposé à trop de poussière, de saleté, d'humidité ou à des vapeurs corrosives. Les fentes de refroidissement par air du générateur ne doivent pas être bouchées par de la neige, des feuilles ou tout autre corps étranger.

REMARQUE: NE PAS d'utiliser un tuyau d'arrosage pour nettoyer le générateur. L'eau peut entrer dans le système de carburation du moteur et causer des problèmes. De plus, si l'eau entre par les fentes de refroidissement à air, une partie de l'eau restera dans les creux et craquelures de l'isolation du bobinage du rotor et du stator. L'eau et l'accumulation de saleté sur ces bobinages internes du générateur réduiront progressivement la résistance d'isolation de ces bobinages.

Entretien de la Batterie

La batterie ne nécessite aucun entretien autre que le chargement à flotteur, décrit dans le présent manuel. Gardez la batterie et les bornes propres et sèches.

IMPORTANT: Le chargement de la batterie doit être effectué dans un endroit sec, à l'intérieur d'un garage par exemple.

Pour Nettoyer le Générateur



ATTENTION! NE JAMAIS insère n'importe quel objet ou outil par l'air frais entaille, même si le moteur ne court pas.

- Se servir d'un chiffon humide pour essuyer et nettoyer les surfaces extérieures.
- Une brosse douce à poils soyeux peut être utilisée pour dégager la saleté, l'huile durcie.
- Un aspirateur peut être utilisé pour ramasser la saleté et les débris qui ne sont pas collés.
- On peut se servir d'air comprimé à basse pression (pas plus de 25 psi) pour enlever la saleté. Inspectez les fentes d'air de refroidissement et les ouvertures sur le générateur. Ces ouvertures doivent rester propres et non bouchées.



REMISAGE

Le générateur doit être mise en route au moins une fois tous les sept jours et doit marcher pendant au moins 30 minutes. Si vous ne pouvez pas faire cela et que vous devez remiser le générateur pour plus de 30 jours, utiliser les informations ci-après comme guide pour préparer votre appareil au remisage.

Remisage du Générateur

- Nettoyez le générateur comme indiqué à la section "Pour Nettoyer le Générateur".
- Vérifiez si les fentes d'air de refroidissement et les ouvertures de votre générateur sont ouvertes et non bouchées.



ATTENTION! Les couvertures d'emmagasinage peuvent être inflammables. NE PAS placer une couverture d'emmagasinage par-dessus un générateur chaud. Laissez l'unité refroidir pour un temps suffisant avant de placer la couverture sur l'unité.

Remisage du Moteur

Voir les instructions sur la manière de remiser correctement le moteur dans le manuel de l'utilisateur du moteur.

Autres Idées de Remisage

- Afin de prévenir l'accumulation de gomme dans le circuit d'alimentation ou sur les pièces essentielles du carburateur, versez un stabilisateur d'essence dans le réservoir d'essence et faites le plein avec de la nouvelle essence. Faites marcher la génératrice durant quelques minutes pour faire circuler l'additif dans le carburateur. La génératrice et l'essence pourront alors être entreposées pendant 24 mois. Vous pouvez vous procurer le stabilisateur d'essence chez un détaillant de votre localité.
- NE GARDEZ PAS le carburant d'une saison à l'autre, à moins qu'il ait été traité, comme indiqué ci-dessus.
- Remplacez le carburant s'il commence à rouiller. La rouille et/ou la poussière dans le carburant peuvent causer des problèmes lorsque vous l'utilisez avec cet appareil.
- Conservez dans un endroit propre et sec.

Génératrice portable

GARANTIE DU PROPRIÉTAIRE D'UN PRODUIT BRIGGS & STRATTON POWER PRODUCTS GROUP, LLC

GARANTIE LIMITÉE

Briggs & Stratton Power Products Group, LLC réparera ou remplacera, sans frais, toutes pièces d'équipement défectueuses comportant un vice de matériau ou un défaut de fabrication ou les deux. En vertu de la présente garantie, les frais de transport des pièces soumises pour réparation ou remplacement sont à la charge de l'acheteur. La présente garantie sera en vigueur durant les périodes stipulées ci-dessous et est assujettie aux conditions stipulées ci-dessous. Pour obtenir des services en vertu de la garantie, veuillez consulter notre Outil de recherche d'un Service après-vente agréé au <http://www.briggspowerproducts.com> afin de trouver un distributeur de service après-vente agréé dans votre région.

IL N'EXISTE AUCUNE AUTRE GARANTIE EXPRESSE. LES GARANTIES IMPLICITES, INCLUANT CELLES DE QUALITÉ MARCHANDE ET D'ADAPTATION À UN USAGE PARTICULIER, SONT LIMITÉES À UNE PÉRIODE D'UN AN À PARTIR DE LA DATE D'ACHAT OU JUSQU'À LA LIMITE PERMISE PAR LA LOI, TOUTE GARANTIE IMPLICITE EST EXCLUE. LA RESPONSABILITÉ POUR DOMMAGES ACCESSOIRES OU INDIRECTS EST EXCLUE DANS LA MESURE OÙ UNE TELLE EXCLUSION EST PERMISE PAR LA LOI. Certains États/provinces ou pays n'autorisent aucune restriction sur la durée d'une garantie implicite, et certains États/provinces ou pays n'autorisent pas l'exclusion ou la limitation des dommages consécutifs ou indirects. Par conséquent, les restrictions et exclusions décrites ci-dessus pourraient ne pas s'appliquer dans votre cas. La présente garantie vous accorde certains droits légaux spécifiques et vous pourriez également en avoir d'autres, qui peuvent varier d'un État ou d'une province à l'autre et d'un pays à l'autre.

NOTRE ÉQUIPEMENT*

MOTEUR HORS-BORD	NETTOYEUR À HAUTE PRESSION	POMPE À EAU (Pas disponible aux États-Unis)	GÉNÉRATRICE PORTATIVE	GRUPE ÉLECTROGÈNE (inclut le commutateur de transfert, lorsque vendu avec l'équipement.)	COMMUTATEUR DE TRANSFERT
				Moins de 10 kW	10 kW ou plus

PÉRIODE DE GARANTIE**

Usage par un consommateur	2 ans	1 an	1 an	2 ans	2 ans	3 ans ou 1500 heures	1 an
Usage à des fins commerciales	aucune	90 jours	90 jours	1 an	1 an		

* Le moteur et les batteries de démarrage sont garantis uniquement par les fabricants de ces produits.

** 2 ans pour tous les produits grand public de l'Union européenne. Les pièces seulement à la deuxième année pour l'usage par un consommateur de la Génératrice portative et du Groupe électrogène - moins de 10 kW, à l'extérieur de l'Union européenne.

La période de garantie débute à la date d'achat par le premier acheteur au détail ou par le premier utilisateur commercial final, et se prolonge pour la durée stipulée dans le tableau ci-dessus. "Usage par un consommateur" signifie utilisation domestique personnelle dans une résidence, par l'acheteur au détail. "Usage à des fins commerciales" signifie toute autre utilisation, y compris à des fins commerciales, générant de revenus ou de location. Aux fins de la présente garantie, dès qu'un équipement a été utilisé commercialement une fois, il est par la suite considéré comme étant d'usage à des fins commerciales. **L'équipement utilisé pour l'alimentation principale n'est pas couvert par la présente garantie. Les nettoyeurs à haute pression électriques utilisés à des fins commerciales ne sont pas couverts par la présente garantie.**

POUR EXERCER LA GARANTIE SUR TOUT PRODUIT FABRIQUÉ PAR BRIGGS & STRATTON, IL N'EST PAS NÉCESSAIRE DE L'ENREGISTRER. CONSERVEZ LE REÇU COMME PREUVE D'ACHAT. SI, LORS D'UNE RÉCLAMATION DE GARANTIE, VOUS NE POUVEZ PROUVER LA DATE INITIALE DE L'ACHAT, NOUS UTILISERONS LA DATE DE FABRICATION DU PRODUIT COMME DATE DE RÉFÉRENCE POUR DÉTERMINER LA PÉRIODE DE GARANTIE.

À PROPOS DE LA ÉQUIPEMENT GARANTIE

Nous acceptons de faire effectuer les réparations couvertes par la garantie et tenons à nous excuser pour tout inconvénient subi. Tout agent d'un service après-vente agréé peut exécuter les réparations couvertes par la garantie. La plupart des réparations couvertes par la garantie sont traitées automatiquement; cependant, il arrive parfois que les demandes de service en vertu de la garantie soient non fondées. Par exemple, la garantie ne couvre pas les dommages causés à l'équipement par une utilisation abusive, par un manque d'entretien périodique, durant l'expédition, la manutention ou l'entreposage, ou en raison d'une installation inadéquate. De même, la garantie sera annulée si la date de fabrication ou le numéro de série apposé à l'équipement a été enlevé ou si l'équipement a été changé ou modifié. Durant la période de garantie, le distributeur de service après-vente agréé réparera ou remplacera, à son gré, toute pièce qui, après examen, est trouvée défectueuse à la suite d'une utilisation et d'un entretien normaux. La présente garantie ne couvre pas les réparations et les équipements suivants:

- **Usure normale:** Comme tout autre dispositif mécanique, les groupes électrogènes d'extérieur nécessitent l'entretien périodiques de certaines pièces pour fonctionner adéquatement. La présente garantie ne couvre pas les frais de réparation des pièces ou des équipements dont la durée de vie utile a été dépassée à la suite d'une utilisation normale.
- **Installation et entretien:** La présente garantie ne couvre pas les équipements ou les pièces qui ont fait l'objet d'une installation ou de modifications et de changements inadéquats ou non autorisés, d'une mauvaise utilisation, de négligence, d'un accident, d'une surcharge, d'emballement, d'entretien inadéquat, de réparation ou d'entreposage qui, selon nous, auraient nui à la performance et à la fiabilité du produit. De plus, la garantie ne couvre pas l'entretien normal tel que le réglage, le nettoyage du circuit d'alimentation et son obstruction (causée par l'accumulation de produits chimiques, de saletés, de calamine, de calcaire, etc.).
- **Exclusions supplémentaires:** La présente garantie exclut les pièces qui s'usent telles que les raccords rapides, les jauges d'huile, les courroies, les joints toriques, les filtres, les garnitures de pompes, etc., les pompes ayant fonctionné sans alimentation en eau ou tout dommage ou tout mauvais fonctionnement résultant d'un accident, d'une utilisation abusive, de modifications, de changements ou d'un entretien inadéquat du système, du gel ou d'une détérioration chimique. La garantie du produit ne couvre pas les pièces accessoires telles que les pistolets, les boyaux, les lances et les buses. Est aussi exclu tout équipement usé, remis à neuf ou de démonstration, tout équipement utilisé pour l'alimentation principale en remplacement de l'alimentation de service et tout équipement utilisé pour l'alimentation d'appareils de maintien des fonctions vitales.

BRIGGS & STRATTON POWER PRODUCTS GROUP, LLC
JEFFERSON, WI, USA



TABLA DE CONTENIDOS

Reglas De Seguridad	30-32
Ensamblaje	33-35
Funcionamiento	36-39
Mantenimiento	40
Almacenamiento	41
Diagnosticos De Averías	42
Notas	43
Garantía	44

DESCRIPCIÓN DEL EQUIPO



Lea este manual de manera cuidadosa y familiarícese con su generador. Conozca sus usos, sus limitaciones y cualquier peligro relacionado con el mismo.

Este generador funciona en base a un motor, de campo eléctrico giratorio y de corriente alterna (AC). Fue diseñado con la finalidad de proveer energía eléctrica para luces eléctricas, aparatos, herramientas compatibles y cargas de motor. El campo giratorio del generador funciona a una velocidad de 3,6000 rpm usando un motor con un solo cilindro.

¡PRECAUCIÓN! NO sobrepase la capacidad de vataje y amperaje del generador. Revise "No Sobrecargue Generador" en la página 39.


Se ha hecho cada esfuerzo posible para asegurarse que la información que aparece en este manual es exacta y se encuentra actualizada. Sin embargo, nosotros se reserva el derecho a cambiar, alterar o de otra manera mejorar, el producto y este documento en cualquier momento, sin previo aviso.

El Sistema de Control de Emisiones para este generador está garantizado para juegos estándares por la Agencia de Protección Ambiental. Para mayor información acerca de la garantía, consulte con el manual del propietario del motor.

INSTRUCCIONES DE SEGURIDAD



Éste es el símbolo de alerta de seguridad. Sirve para advertir al usuario de un posible riesgo para su integridad física. Siga todos los mensajes de seguridad que figuren después de este símbolo para evitar lesiones o incluso la muerte.

El símbolo de alerta de seguridad () es usado con una palabra (PELIGRO, ADVERTENCIA, PRECAUCIÓN), un mensaje por escrito o una ilustración, para alertarlo acerca de cualquier situación de peligro que pueda existir. **PELIGRO** indica un riesgo el cual, si no se evita, *causará* la muerte o una herida grave. **ADVERTENCIA** indica un riesgo el cual, si no se evita, *puede* causar la muerte o una herida grave. **PRECAUCIÓN** indica un riesgo, el cual, si no se evita, *puede* causar heridas menores o moderadas. **PRECAUCIÓN**, cuando se usa *sin* el símbolo de alerta, indica una situación que podría resultar en el daño del equipo. Siga los mensajes de seguridad para evitar o reducir los riesgos de heridas e inclusive la muerte.

En el estado de California es obligatorio, según la ley, el uso de apagachispas (Sección 4442 del Código de Recursos Públicos de California). Otros estados pueden tener leyes similares. Las leyes federales se aplican en tierras federales. Si equipa el silenciador con un apagachispas, este deberá ser mantenido en buenas condiciones de trabajo.



ADVERTENCIA

El escape del motor de este producto contiene elementos químicos reconocidos en el Estado de California por producir cáncer, defectos de nacimiento u otros daños de tipo reproductivo.



! PELIGRO



Al generador funcionar, se produce monóxido de carbono, un gas inodoro y venenoso. El respirar el monóxido de carbono, producirá náusea, desmayo o la muerte.

- Opere el generador SOLAMENTE al aire libre.
- Mantenga al menos 2 pies de espacio libre alrededor del generador, para la adecuada ventilación.
- NO opere el generador dentro de un edificio o lugar cerrado, incluyendo el compartimiento del generador en un vehículo recreativo o RV.

! PELIGRO



Si no hace tierra apropiadamente con un generador, puede hacer que ocurra un electrocutamiento, especialmente si el generador se equipa con un juego de la rueda.

- Los Códigos Nacionales para la Electricidad, requieren que los generadores estén haciendo tierra de una manera aprobada. Llame a un electricista para conocer los requisitos locales para hacer tierra.

! PELIGRO



Los generadores producen un voltaje muy poderoso. Si no aísla el generador de utilidades de energía, puede hacer que los trabajadores de electricidad sufran heridas graves e inclusive la muerte, debido a la retroalimentación de la energía eléctrica.

- Cuando use un generador como poder de energía auxiliar, notifique a la compañía de utilidades. Use el equipo de transferencia aprobado para aislar el generador de otra utilidad eléctrica.
- Use un interruptor para la falla del circuito de tierra (GFCI) en cualquier área bastante húmeda o que sea altamente conductiva, tales como terrazas de metal o trabajo hecho con acero.
- NO toque los alambres pelados o receptáculos.
- NO use un generador con cables eléctricos que estén malgastados, rotos, pelados o dañados de cualquier forma.
- NO opere el generador bajo la lluvia.
- NO maneje el generador o cables eléctricos mientras esté parado en agua, descalzo o cuando las manos y los pies estén mojados.
- NO permita que personas descalificadas o niños operen o sirvan al generador.

! ADVERTENCIA

- Este generador no cumple la norma 33CFR-183 del cuerpo de guardacostas de EE.UU. y no debe utilizarse en aplicaciones marinas.
- El uso de un generador no homologado por cuerpo de guardacostas de EE.UU. puede provocar lesiones y daños materiales.

! PELIGRO



Las baterías almacenadas producen hidrógeno explosivo mientras estén siendo recargadas. El hidrógeno puede permanecer cerca de la batería por un periodo largo de tiempo, después que la batería haya sido recargada.

Una pequeña chispa puede encender el hidrógeno y causar una explosión. Usted puede quedar ciego o sufrir heridas muy graves.



El fluido de electrolito de la batería contiene ácido y es extremadamente cáustico. El contacto con el fluido de la batería puede causar quemaduras químicas severas.

- NO permita ninguna llama abierta, chispa, calor, o encienda un cigarrillo durante y por varios minutos después de haber recargado la batería.
- Lleve puestos las gafas protectoras, delantal y guantes de goma.

! ADVERTENCIA



La gasolina y sus vapores son extremadamente inflamables y explosivos.



El fuego o una explosión pueden causar quemaduras severas e inclusive la muerte.

CUANDO AÑADA COMBUSTIBLE

- Apague el generador (posición OFF) y déjelo enfriar al menos por 2 minutos antes de remover la tapa de la gasolina. Afloje la tapa lentamente para dejar que la presión salga del tanque.
- Llene el tanque al aire libre.
- NO llene demasiado el tanque. Permita al menos espacio para la expansión del combustible.
- Mantenga la gasolina alejada de chispas, llamas abiertas, pilotos, calor y otras fuentes de ignición.
- NO encienda un cigarrillo o fume.

CUANDO OPERE EL EQUIPO

- NO incline el motor o el equipo, de tal manera que la gasolina se pueda derramar.
- Este generador no es apto para el uso en equipos móviles ni en aplicaciones marinas.

CUANDO TRANSPORTE O REPARE EL EQUIPO

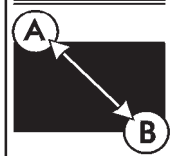
- Transporte o repare el equipo con el tanque de combustible vacío, o con la válvula para apagar el combustible, apagada (posición OFF).
- Desconecte el cable de la bujía.

CUANDO ALMACENE O GUARDE EL EQUIPO CON COMBUSTIBLE EN EL TANQUE

- Almacene alejado de calderas, estufas, calentadores de agua, secadoras de ropa u otros aparatos electrodomésticos que posean pilotos u otras fuentes de ignición, porque ellos pueden encender los vapores de la gasolina.



Generador Portátil



MONTAJE

Su generador requiere de ciertos procedimientos de montaje y solo estará listo para ser utilizado después de haberle suministrado servicio con el combustible y aceite recomendados.

Si usted tiene problemas con el montaje de su generador, por favor llame a la línea de ayuda para generadores al 1-800-743-4115. Si llamar para la ayuda, tiene por favor el modelo, la revisión y el número de serie de etiqueta de datos disponible.

INSTALE EL JUEGO DE RUEDAS

NOTA: Si el equipo se suministra con el juego de ruedas de 25,4 cm (10"), siga las instrucciones que se indican a continuación. Si el equipo se suministra con el juego de ruedas de 20,32 cm (8"), siga las instrucciones que se indican en la página 34.

El juego de ruedas está diseñado para mejorar el transporte del generador.

NOTA: Este Juego de Ruedas no ha sido diseñado para ser usado en la carretera.

Necesitará una llave de cubos con cubos de ½" o 13mm y unas pinzas de punta para instalar el juego de ruedas.

instale el 10" juego de Ruedas Como se Describe a Continuación (Figura 25)

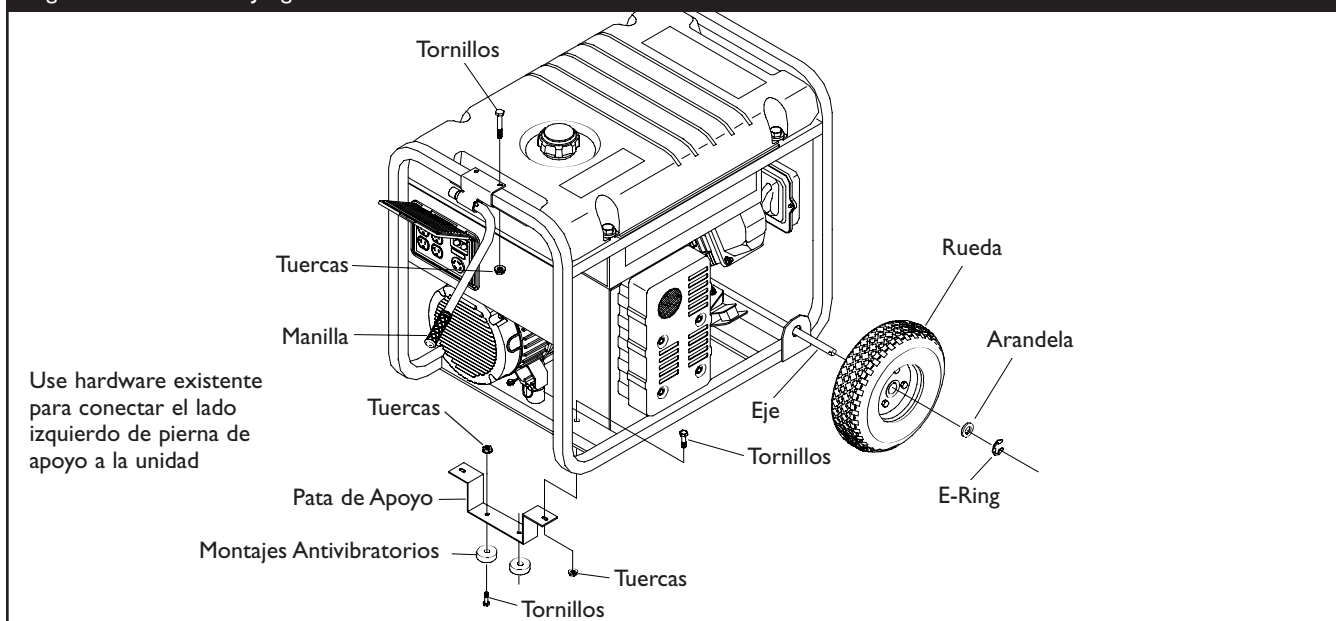
1. Coloque el fondo de la camilla del generador en una superficie plana. Temporalmente, coloque la unidad en bloques para ensamblarla fácilmente.
2. Deslice el eje a través de ambos soportes de montaje, en el marco de la camilla, como se muestra en la Figura 25.

3. Deslice una rueda en el eje.

NOTA: Asegúrese de instalar ambas ruedas con la válvula de aire hacia el lado de afuera.

4. Coloque el e-ring en la ranura del eje.
5. Coloque un extremo de las pinzas de puntas de aguja en la parte inferior del eje y el otro extremo de las pinzas en la parte superior del e-ring. Asiente el e-ring cerrando las pinzas.
6. Repita los pasos 3 por 5 para asegurar la segunda rueda.
7. Remueva los bloques temporales.
8. Instale los montajes antivibratorios a la pata de soporte utilizando dos tornillos prisioneros 30mm y tuercas de seguridad.
9. Para ayudar al ensamblaje de la pata de apoyo, haga descansar el generador en la camilla, con la parte del motor hacia abajo. Quite el hardware existente del monte izquierdo de la vibración de la unidad con 13mm llave inglesa. Use el mismo hardware para conectar la pierna de apoyo.
10. Conecte el otro lado de la pierna de apoyo con un 20mm tornillo de la tapa y nuez de cerradura. Descanse el generador en la pierna de ruedas y apoyo.
11. Coloque el soporte de la manilla en el centro del marco del generador al extremo de la pata de apoyo, como se muestra.
12. Anexe el soporte de la manilla con dos tornillos 45mm y dos tuercas de seguridad.
13. Verifique que todas las piezas estén apretadas y las llantas estén infladas al valor marcó en la llanta o dentro de 15 y 40 psi.

Figura 25 — Instale el Juego de Ruedas



Instale el 8" Juego de Ruedas Como Sigue (Figura 26)

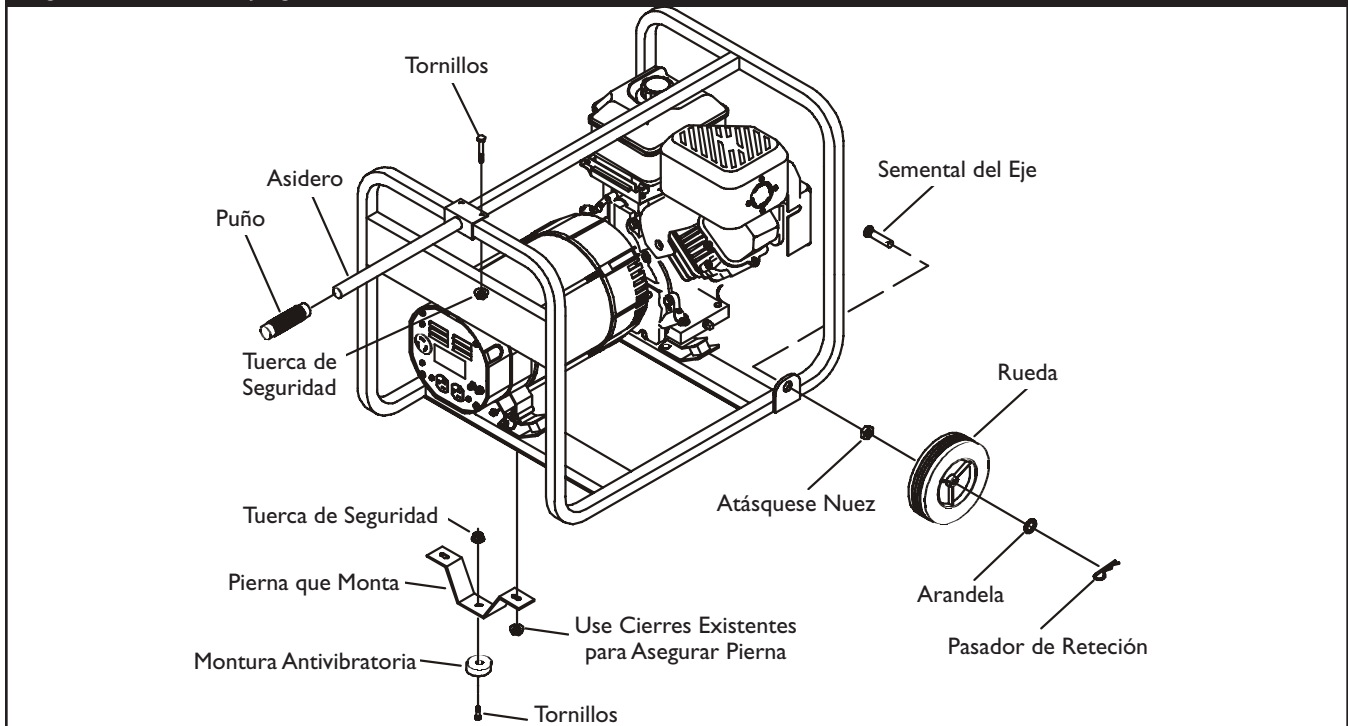
1. Coloque el fondo de la camilla del generador en una superficie plana.
2. Coloque semental de eje por iguala de rueda en el marco de cuna.
3. Uso 15/16" la llave inglesa asegurar el semental de eje para encuadrar con nuez de mermelada 5/8-18.
4. Instale el otro semental de eje en la misma manera.

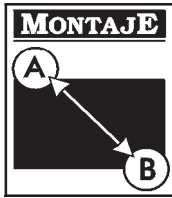
NOTA: Está seguro instalar la rueda con inboard levantado de eje.

5. La unidad de la punta e instala la rueda. Coloque arandela plana sobre semental de eje.

6. Retenga la rueda en el eje llena de alfiler que retiene. Instale otra rueda en el túnel restante de eje la misma manera.
7. Instale los montajes antivibratorios a la pierna que monta utilizando dos tornillos prisionero y tuerca de seguridad.
8. Quite dos nueces anteriores del monte de la vibración con 13 mm llave inglesa. Use estas nueces para retener la pierna que monta.
9. Centre el asidero que levanta en el fin del generador de cuna. Conecte el asidero que usa dos 13 mm llaves inglesas con dos capscrews y dos nueces del mal de ojo.

Figura 26 — Instale el Juego de Ruedas





ARRANQUE ELÉCTRICO

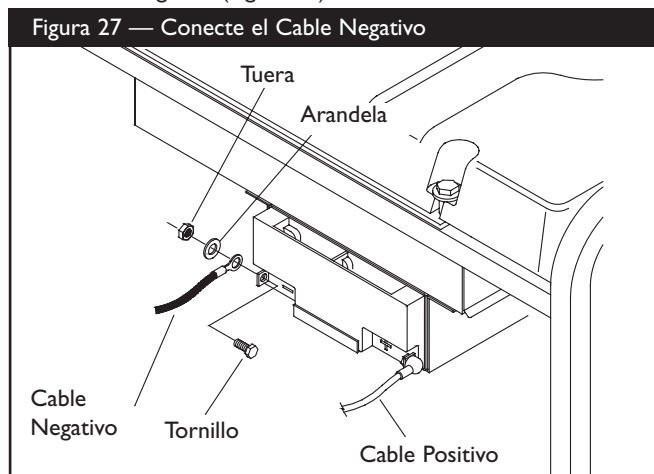
NOTA: El arranque del generador se puede realizar manualmente. Si decide no utilizar la función de arranque eléctrico de este generador, no será necesario instalar la batería.

Verifique la Batería / Conecte el Cable Negativo de la Batería

La batería sellada en el generador esta completamente cargada y ha sido pre-instalada, excepto por el cable negativo (negro) de batería.

Para instalar:

- Corte el cablecito que está aguantando el cable negro, para poderlo usar.
- Remueva la tuerca y la arandela en el terminal negativo de la batería.
- Deslice el cable negativo de la batería sobre el tornillo en el terminal negativo (Figura 27).



- Reconecte la arandela y la tuerca, y apriétela.
- Asegúrese que las conexiones a la batería y al generador están apretadas y aseguradas.

ANTES DE DARLE ARRANQUE AL MOTOR

Agregar Aceite al Motor

CAUTION! Cualquier intento para arrancar el motor antes de haberle proporcionado el mantenimiento apropiado con el aceite recomendado, podría ocasionar la falla del motor.

- Coloque la generador sobre una superficie nivelada.
- Consulte el manual del propietario del motor para añadir al motor el aceite recomendado.

NOTA: El campo giratorio del generador se encuentra en un cojinete pre-lubricado y sellado que no requiere lubricación adicional por la vida útil del cojinete.

Agregue Gasolina

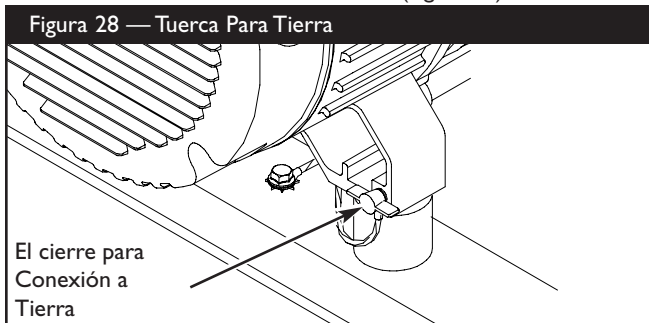
¡ADVERTENCIA! NUNCA llene el tanque del combustible en recintos cerrados. NUNCA llene el tanque del combustible cuando el motor esté en funcionamiento o caliente. NO encienda cigarrillos o fume cuando esté llenando el tanque del combustible.

¡ADVERTENCIA! NO llene excesivamente el tanque de combustible. Deje suficiente espacio para la expansión del combustible.

- Coloque la generador sobre una superficie nivelada.
- Consulte el manual del propietario del motor para añadir al motor el combustible recomendado.

CONEXION A TIERRA DEL GENERADOR

El Código Nacional de Electricidad exige que el marco y las partes exteriores del generador conductoras de electricidad, estén conectadas a tierra adecuadamente. Los códigos eléctricos locales también pueden exigir que la unidad esté conectada a tierra correctamente. Para tal propósito, se ha instalado una el cierre para conexión a tierra en la base del bastidor (Figura 28).



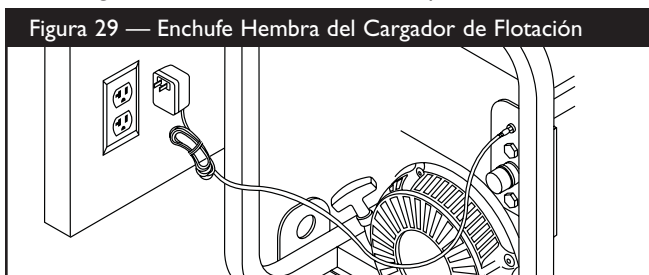
Por lo general, la conexión de un alambre de cobre trenzado No. 12 AWG (American Wire Gauge) a la aleta de conexión a tierra y a una barra de conexión a tierra de cobre o bronce (electrodo) proporciona una protección adecuada contra las descargas eléctricas. Sin embargo, los códigos locales pueden variar substancialmente. Consulte con un electricista local para conocer los requisitos de conexión a tierra de su área.

La adecuada conexión a tierra del generador ayuda a evitar descargas eléctricas si se produce alguna falla a tierra en el generador o en los dispositivos eléctricos conectados, especialmente si el generador se equipa con un juego de la rueda. También ayuda a disipar la electricidad estática que, con frecuencia, se genera en dispositivos sin conexión a tierra.

CARGADOR DE BATERÍA

Si el equipo dispone de él, utilice el enchufe hembra del cargador de flotación (carga lenta y continua) de la batería para mantener la batería de arranque cargada y preparada para el uso. La carga de la batería se debe realizar en un lugar seco, como el interior de un garaje.

- Conecte el cargador al enchufe hembra "Battery Float Charger" (Cargador de flotación de la batería) de la unidad, que se encuentra en el interruptor de arranque (Figura 29). Enchufe el cargador de la batería a una toma de pared de 120 V CA.



- Desconecte el cargador de la unidad y del enchufe de la pared durante el arranque del generador y mientras esté funcionando.
- Mantenga el cargador enchufado cuando el generador no se esté utilizando, para prolongar la vida de la batería. El cargador incorpora un ecualizador de flotación que impide la sobrecarga de la batería, incluso aunque esté enchufado durante un largo periodo de tiempo.

IMPORTANTE: Para obtener más información al respecto, consulte "Mantenimiento de la Batería" en la página 40.

OPERANDO EL GENERADOR

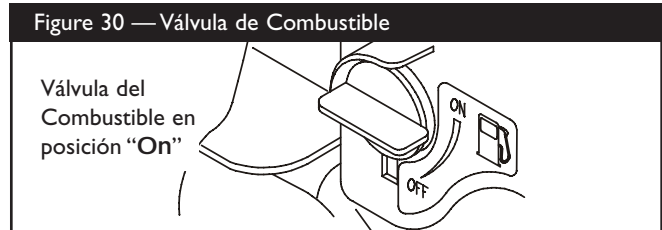
¡PRECAUCIÓN! NUNCA encienda o pare el motor con las cargas eléctricas conectadas a los receptáculos Y con los aparatos conectados ENCENDIDOS.

IMPORTANTE: Desenchufe siempre el cargador de flotación de la batería antes de arrancar el generador.

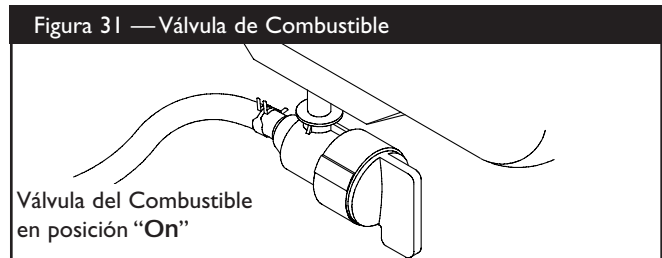
Encienda el Motor

Desconecte todas las cargas eléctricas del generador. Use las siguientes instrucciones para encender:

- Para modelos equipados con la válvula del combustible construyó en el motor, gire la válvula del combustible a la posición "On" (Figura 30).



- Para modelos equipó con un tanque de arriba del combustible, gire la válvula del combustible a la posición "On" (Figura 31). El asidero de la válvula del combustible debe ser vertical (señalar hacia el suelo) para el combustible para fluir.



- Ponga en marcha el motor tal y como se explica en el manual del propietario del motor.

Conexion De Cargas Electricas

- Deje que el motor se estabilice y se caliente por unos minutos después del arranque.



- Conecte y encienda las cargas eléctricas de 120 y/o 240 Voltios AC monofásicas de 60 Hz que desee.
- NO conecte cargas de 240 Voltios a tomacorrientes de 120 Voltios.
- NO conecte cargas trifásicas al generador.
- NO CONECTE cargas de 50 Hz al generador.
- **NO SOBRECARGUE EL GENERADOR.** Vea "No Sobrecargue Generador" en la página 39.

Parado Del Motor

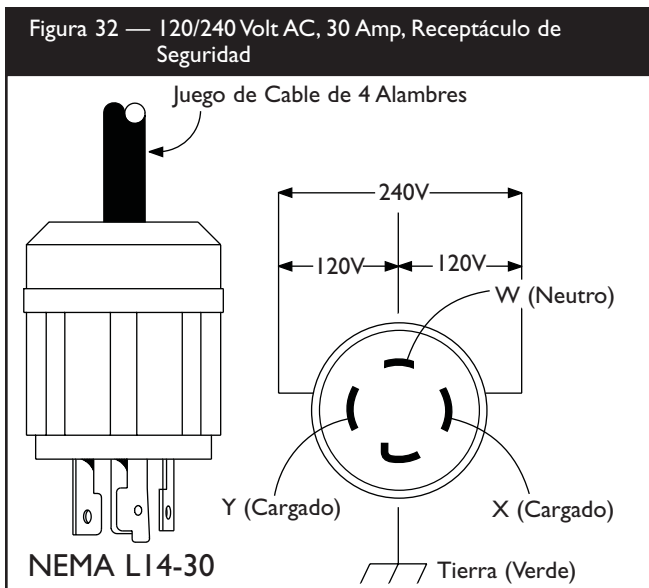
- Desconecte todas las cargas eléctricas de los tomacorrientes del panel del generador: NUNCA de arranque o detenga el motor con todos los dispositivos eléctricos conectados y encendidos.
- Deje que el motor funcione sin cargas por algunos minutos para estabilizar las temperaturas internas del motor y el generador.
- Pare el motor tal y como se explica en el manual del propietario del motor.
- Cierre la válvula del combustible.

RECEPTÁCULOS

El generador está equipado con uno o varios de los siguientes enchufes hembra:

120/240 Voltios AC, 30 Amp, Receptáculo de Seguridad

Use un tapón NEMA L14-30 con este receptáculo. Conecte un juego de cable de 4 alambres, clasificado como 250 Voltios AC a 30 Amps (o mayor) (Figura 32). Usted puede usar el mismo cable de 4-alambres si planea trabajar con una carga de 120 Voltios.

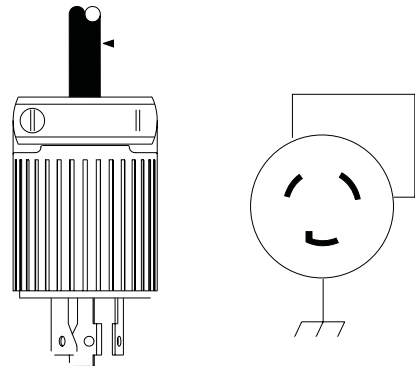


Este receptáculo le provee poder a cargas de 120/240 Voltios AC, de 60 Hz, fase sencilla, que requieren hasta 6,000 vatios de energía (6.0 kW) a 30 Amps, para 120 Voltios o 240 Voltios. La salida está protegida por un corto-circuito de, del tipo "empuje para reposicionar".

¡PRECAUCIÓN! Aunque esta salida tiene una clasificación de 120/240 Voltios 30 Amps (hasta 7,200 vatios), el generador está clasificado solamente para 6,000 vatios. Cargas que pasen la capacidad de amperaje y vataje del generador pueden dañarlo o causar accidentes muy serios.

Tomacorrientes de 120 Voltios AC, 30 Amperios

Use un enchufe tipo NEMA L5-30 con este tomacorriente. Conecte un juego de cordones de 3 alambres con una capacidad de 125 Voltios AC a 30 Amperios al enchufe (Figura 33).



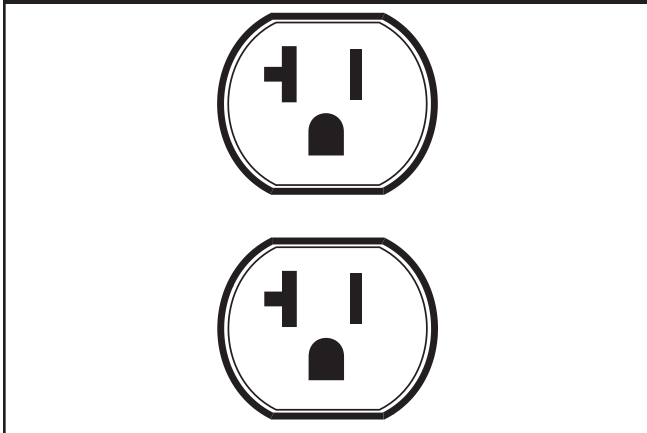
Utilice este tomacorriente para operar cargas eléctricas de 120 Voltios AC, monofásicas de 60 Hz que requieran hasta 3,600 vatios (3.6 kW) a 30 Amperios de corriente. La toma está protegida por un cortacircuito de con dispositivo de reposición.

¡PRECAUCIÓN! Aunque esta salida tiene una clasificación de 120 Voltios 30 Amperios (hasta 3,600 vatios), el generador está clasificado solamente para 3,250 vatios en 27 Amperios. Cargas que pasen la capacidad de amperaje y vataje del generador pueden dañarlo o causar accidentes muy serios.

120 Volt AC, 20 Amp, Receptáculos Dobles

Cada receptáculo (Figura 34) está protegido en contra de sobrecargas por un corto-circuitos de, del tipo "empuje para reposicionar".

Figura 34 — 120 Volt AC, 20 Amp Receptáculo Doble



Use cada receptáculo para operar 120 Voltios AC, de fase sencilla, de cargas de 60Hz que requieren hasta 2,400 vatios (2.4 kW) a corrientes de 20 Amps. Use los juegos de cables que son calificados para cargas de 125 Voltios AC, a 20 Amps (o mayores).



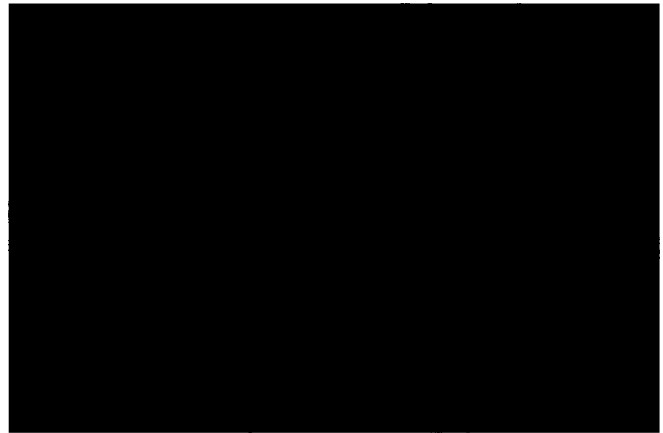
¡PRECAUCIÓN! Estas salidas se valoran en 120 Voltios 20 Amps (hasta 80 Amps). El generador es sólo valorado hasta 27 Amps. Las cargas que accionan que excede el wattage/la capacidad de amperaje del generador

Operación Durante un Clima Frío

Bajo ciertas condiciones ambientales (temperaturas por debajo de los 40°F [4°C] y un punto alto Dew), su generador puede experimentar congelamiento del carburador y/o el sistema de respiradero del cigüeñal.

Construya una estructura que pueda cubrir los tres lados y la parte superior del generador:

- Asegúrese que el lado del amortiguador del generador está expuesto. Aquí se muestra una unidad típica, su unidad puede tener otra apariencia, como se muestra en la Figura 35.



- Asegúrese que existe un espacio mínimo de dos pies entre el lado abierto de la caja y el objeto más cercano.
 - Coloque la parte abierta fuera del viento y otros elementos.
- do por el generador para prevenir problemas.



¡PRECAUCIÓN! Arranque el motor y manténgalo en marcha en exteriores. El generador no debe quedar más encerrado de lo que se muestra. Retire la protección cuando la temperatura sea superior a 4° C [40° F].



NO SOBRECARGUE GENERADOR

Capacidad

Usted debe asegurarse que su generador puede proveer el suficiente vataje calificado (cuando esté funcionando) y de carga (al encender) para los aparatos a los cuales va a proveer la energía, al mismo tiempo. Siga estos pasos:

1. Seleccione los aparatos que recibirán la energía, al mismo tiempo.
2. Totalice los vatios calificados (cuando esté funcionando) de estos aparatos. Esta es la cantidad de energía que su generador debe producir para mantener esos aparatos funcionando adecuadamente. Vea la Figura 36.
3. Calcule la cantidad de vatios de carga (al encender) que usted necesitará. El vataje de carga es la cantidad mínima de electricidad, necesaria para encender herramientas o aparatos con motores eléctricos, tales como, sierras circulares o refrigeradores. Debido a que no todos los motores se encienden al mismo momento, el vataje total de carga se puede estimar al añadir solamente el(los) aparato(s) con el vataje adicional más alto, al total del vataje calificado, obtenido en el paso 2.

Ejemplo:

Herramienta o Aparato Eléctrico	Vatios Calificados (cuando esté funcionando)	Vatios Adicionales de Carga (al encender)
Aire Acondicionado de Ventana	1200	1800
Refrigerador	800	1600
Congelador industrial	500	500
Televisión	500	-
Luz (75 Vatios)	75	-
	Total = 3075 Vatios para funcionar	1800 (Vatios de Carga más alto)

Vataje Total Calificado (cuando esté funcionando) = 3075

Vataje de Carga Adicional más alto = 1800

Salida Total Requerida del Generador = 4875

Control de la Energía

Para prolongar la vida de su generador y los aparatos que estén conectados al mismo, es muy importante cuidarlo cuando se le añaden cargas eléctricas. Nada debería estar conectado a los tomacorrientes del generador antes de que su motor sea encendido. La forma correcta y más segura para controlar la energía del generador, es la de añadir en secuencias las cargas, como se describe a continuación:

1. Sin tener nada conectado al generador, encienda el motor de la manera descrita en este manual.
2. Conecte y encienda la primera carga, preferiblemente la mayor que usted tenga.
3. Permita que la salida del generador se estabilice (el motor funciona suavemente y el aparato conectado al mismo trabaja adecuadamente).

4. Conecte y encienda la próxima carga.
5. De nuevo, permita que el generador se estabilice.
6. Repita los pasos 4 y 5 para cada carga adicional que usted tenga.

NUNCA añada más cargas sobre la capacidad del generador. Tome una atención especial en considerar las cargas de corriente según la capacidad del generador, como se describe arriba.

Figura 36 - Guía de Referencia de Vataje

Herramienta o Aparato Eléctrico	Vatios Calificados* (cuando esté funcionando)	Vatios Adicionales de Carga (al encender)
Esenciales		
Bombilla - 75 vatios	75	-
Congelador industrial	500	500
Bomba de aguas negras	800	1200
Refrigerador / congelador - 18 pies cúbicos	800	1600
Bomba de agua - 1/3 HP	1000	2000
Calefacción / enfriamiento		
Aire Acond. de ventana - 10.000 BTU	1200	1800
Ventilador de ventana	300	600
Calefactor de caldera - 1/2 HP	800	1300
Cocina		
Horno de microondas - 1.000 Vatios	1000	-
Cafetera	1500	-
Cocina eléctrica - Elemento simple	1500	-
Calentaplatos	2500	-
Habitación Familiar		
Tocador de DVD/CD	100	-
VCR	100	-
Receptor estéreo	450	-
Televisor a color - 27 pulg.	500	-
Computadora personal con monitor de 17 pulg.	800	-
Otros		
Sistema de seguridad	180	-
Radio-Reloj AM/FM	300	-
Abridor de garaje - 1/2 HP	480	520
Calentador eléctrico de agua - 40 galones	4000	-
Taller		
Luz de halógeno para trabajar	1000	-
Rociador sin aire - 1/3 HP	600	1200
Sierra intercambiable	960	960
Taladro eléctrico - 1/2 HP	1000	1000
Sierra circular - 7 1/4 pulg.	1500	1500
Sierra inglete - 10 pulg.	1800	1800
Mesa de planificación - 6 pulg.	1800	1800
Sierra de mesa / sierra de brazo radial - 10 pulg.	2000	2000
Compresor de aire - 1-1/2 HP = Caballo de fuerza.	2500	2500

*El vataje que aparece en la lista es solamente una cantidad aproximada. Verifique la herramienta o aparato eléctrico para obtener el vataje verdadero.



RECOMENDACIONES GENERALES DE MANTENIMIENTO

El propietario / operador es responsable por asegurarse de que todos los trabajos periódicos de mantenimiento se lleven a cabo adecuadamente; que todos los problemas son resueltos; y que la unidad se mantiene limpia y adecuadamente almacenada. NUNCA opere un generador que esté dañado o defectuoso.

Mantenimiento del Motor

Consulte el manual del propietario del motor para las instrucciones de cómo mantener adecuadamente el motor.



¡PRECAUCIÓN! Evite el contacto prolongado o repetido de piel con aceite usado de motor. El aceite usado del motor ha sido mostrado al cancer de la piel de la causa en ciertos animales del laboratorio. Completamente lavado expuso áreas con el jabón y el agua.
MANTENGA FUERA DE ALCANCE DE NIÑOS. NO CONTAMINE. CONSERVE los RECURSOS. VUELVA ACEITE USADO A la COLECCION CENTRA.

Mantenimiento del Generador

El mantenimiento del generador consiste en conservar la unidad limpia y seca. Opere y almacene la unidad en un ambiente limpio y seco donde no será expuesta al polvo, suciedad, humedad o vapores corrosivos. Las ranuras del aire de enfriamiento del generador no deben estar tapadas con nieve, hojas, o cualquier otro material extraños. Revise frecuentemente la limpieza del generador y límpielo cuando esté con polvo, sucio, con aceite, humedad, o cuando otras substancias extrañas sean visibles en su superficie exterior.

NOTA: NO recomendamos el uso de mangueras de jardín para limpiar el generador. El agua podría introducirse en el sistema de combustible del motor y causar problemas. Además, si el agua se introduce al generador a través de las ranuras para aire de enfriamiento, algo del agua quedará retenida en los espacios vacíos y grietas del aislamiento del devanado del estator y rotor. La acumulación de agua y suciedad en los devanados internos del generador disminuirá eventualmente la resistencia del aislamiento de estos devanados.

Mantenimiento de la Batería

La conservación ningún otro se requiere para la batería.

IMPORTANTE: Cargar de batería se debe realizar en una ubicación seca, tal como dentro de un garaje.

Para Limpiar el Generador



¡PRECAUCION! NUNCA inserte objetos o herramientas a través de las ranuras de enfriamiento de aire, incluso si el motor no está en funcionamiento.

- Utilice un trapo húmedo para limpiar las superficies exteriores.
- Puede usar un cepillo de cerdas suaves para retirar la suciedad endurecida, aceite, etc.
- Puede usar una máquina aspiradora para eliminar suciedad y residuos sueltos.
- Puede usar aire a baja presión (que no exceda los 25 psi) para eliminar la suciedad. Inspeccione las ranuras para aire de enfriamiento y la apertura del generador. Estas aperturas deberán mantenerse limpias y despejadas.



ALMACENAMIENTO

El generador deberá ser encendido al menos una vez cada siete días y deberá dejarlo funcionar al menos durante 30 minutos. Si no puede hacer esto y debe almacenar la unidad por más de 30 días, siga las siguientes instrucciones para preparar su unidad para almacenamiento.

Almacenando el Generador

- Limpie el generador como está descrito en ("Para Limpiar el Generador").
- Revise que las ranuras para el aire de enfriamiento y las aperturas del generador se encuentren abiertas y despejadas.



¡PRECAUCIÓN! Las cubiertas para almacenamiento pueden ser inflamables. **NO** coloque una cubierta encima de un generador caliente. Deje que la unidad se enfríe lo suficientemente antes de que le coloque la cubierta.

Almacenando el Motor

Consulte el manual del propietario del motor para las instrucciones de cómo preparar adecuadamente el motor para su almacenamiento.

Otras Sugerencias Para el Almacenando

- Para evitar la formación de carbonilla en el circuito de combustible o en piezas esenciales del carburador, añada estabilizador de combustible al depósito de combustible y llene este de gasolina nueva. Haga funcionar la unidad durante varios minutos para que el aditivo circule a través del carburador. La unidad y el combustible se pueden almacenar durante un máximo de 24 meses. El estabilizador de combustible se puede adquirir donde se vaya a usar el equipo.
- **NO** almacene gasolina de una estación a otra estación, al menos que haya sido tratada como se mencionó antes.
- Reemplace la caneca de gasolina si comienza a oxidarse. El óxido y/o la suciedad en la gasolina le causará problemas.
- Almacene la unidad en un área limpia y seca.



Generador Portátil

NOTAS



NOTAS

**POLÍTICA DE GARANTÍA PARA EL PROPIETARIO DE EQUIPOS
BRIGGS & STRATTON POWER PRODUCTS GROUP, LLC**

GARANTÍA LIMITADA

Briggs & Stratton Power Products Group, LLC reparará o sustituirá sin cargo alguno cualquier componente del equipo que presente defectos de materiales y/o mano de obra. Los gastos de transporte de las piezas enviadas para reparar o sustituir conforme a los términos de esta garantía correrán a cargo del comprador. El periodo de vigencia y las condiciones de esta garantía son los que se estipulan a continuación. Para obtener servicio en garantía, localice el distribuidor de servicio autorizado más próximo en nuestro mapa de distribuidores, en www.briggspowerproducts.com.

NO EXISTE NINGUNA OTRA GARANTÍA EXPLÍCITA. LAS GARANTÍAS IMPLÍCITAS, INCLUIDAS LAS DE COMERCIABILIDAD O IDONEIDAD PARA UN FIN CONCRETO, SE LIMITAN A UN AÑO DESDE LA FECHA DE COMPRA O AL LÍMITE DE TIEMPO PERMITIDO POR LA LEY. QUEDAN EXCLUIDAS TODAS LAS GARANTÍAS IMPLÍCITAS QUEDA EXCLUIDA LA RESPONSABILIDAD POR DAÑOS SECUNDARIOS Y DERIVADOS HASTA EL LÍMITE PERMITIDO POR LA LEY. Algunos países o estados no permiten limitar la duración de una garantía implícita ni excluir o limitar los daños secundarios y derivados. Por tanto, es posible que las limitaciones y exclusiones mencionadas no sean aplicables en su caso. Esta garantía le otorga determinados derechos legales y es posible que tenga otros derechos que pueden variar de un país o estado a otro.

NUESTRO EQUIPO*

MOTOR FUERABORDA	LIMPIADORA A PRESIÓN	BOMBA DE AGUA (No disponible en EE.UU.)	GENERADOR PORTÁTIL	SISTEMA GENERADOR DOMÉSTICO (Incluye el conector, si se ha adquirido con el equipo.) Menos de 10 kW 10 kW ó más	CONECTADOR
-------------------------	-----------------------------	--	---------------------------	---	-------------------

PERÍODO DE GARANTÍA**

Uso del consumidor	2 años	1 año	1 año	2 años	2 años	3 años ó 1.500 horas	1 año
Uso comercial	ninguno	90 días	90 días	ninguno	ninguno		

* El motor y las baterías de arranque sólo están cubiertos por la garantía de su fabricante.

** 2 años para todos los productos de consumo en la Unión Europea. Componentes sólo durante el segundo año para uso del consumidor del generador portátil y del sistema generador doméstico - Menos de 10 kW fuera de la Unión Europea.

El período de garantía comienza en la fecha de compra del primer consumidor o usuario comercial final y se prolonga durante el tiempo especificado en la siguiente tabla. "Uso del consumidor" significa uso doméstico personal por parte de un consumidor final. "Uso comercial" significa cualquier otro uso, incluidos los usos con fines comerciales, de generación de ingresos o alquiler. Una vez que el equipo se haya usado con fines comerciales, se considerará como equipo de uso comercial a efectos de esta garantía. **Los equipos utilizados para suministrar energía en sustitución de un servicio público no pueden acogerse a esta garantía. Las limpiadoras a presión con alimentación eléctrica para fines comerciales no están cubiertas por la garantía.**

NO ES NECESARIO REGISTRAR LA GARANTÍA PARA OBTENER SERVICIO DE BRIGGS & STRATTON PRODUCTS. GUARDE SU RECIBO DE COMPRA. SI NO APORTA LA PRUEBA DE LA FECHA DE COMPRA INICIAL, SE UTILIZARÁ LA FECHA DE FABRICACIÓN DEL PRODUCTO PARA DETERMINAR EL PERÍODO DE GARANTÍA.

ACERCA DE LA EQUIPO GARANTÍA

Esperamos que disfrute de nuestra garantía y le pedimos disculpas por las molestias causadas. Cualquier distribuidor de servicio autorizado puede llevar a cabo reparaciones en garantía. La mayoría de las reparaciones en garantía se gestionan normalmente, pero algunas veces la solicitud de servicio en garantía puede no ser procedente. Por ejemplo, la garantía no será válida si el equipo presenta daños debidos al mal uso, la falta de mantenimiento, el transporte, la manipulación, el almacenamiento o la instalación inadecuados. De manera similar, la garantía quedará anulada si se ha borrado la fecha de fabricación o el número de serie del equipo, o si el equipo ha sido alterado o modificado. Durante el período de garantía, el distribuidor de servicio autorizado podrá reparar o sustituir, a su libre elección, cualquier pieza que, previa inspección, sea defectuosa en condiciones normales de uso y servicio. Esta garantía no cubre las reparaciones y equipos que se detallan a continuación:

- **Desgaste normal:** Al igual que cualquier otro aparato mecánico, los equipos de uso en exteriores necesitan piezas y mantenimiento periódicos para funcionar correctamente. Esta garantía no cubre las reparaciones cuando el uso normal haya agotado la vida útil de una pieza concreta del equipo.
- **Instalación y mantenimiento:** Esta garantía no cubre los equipos ni las piezas cuya instalación sea incorrecta o no haya sido autorizada, ni aquellos que hayan sido objeto de cualquier tipo de alteración, mal uso, negligencia, accidente, sobrecarga, exceso de velocidad o mantenimiento, reparación o almacenamiento inadecuados que, a nuestro juicio, haya afectado negativamente a su funcionamiento y su fiabilidad. La garantía tampoco cubre el mantenimiento normal, como los ajustes y la limpieza, o la obstrucción del sistema de combustión (debido a materias químicas, suciedad, carbón, cal, etc.).
- **Otras exclusiones:** También quedan excluidos de esta garantía el desgaste de los artículos tales como conectores, medidores de aceite, correas, juntas tóricas, filtros, juntas de bombas, etc., las bombas que se hayan hecho funcionar sin agua y los daños derivados de accidentes, uso indebido, modificaciones, alteraciones, servicio inadecuado, congelación o deterioro químico. Los accesorios tales como pistolas, mangueras, varillas y boquillas quedan excluidos de la garantía del producto. También se excluyen los equipos usados o reacondicionados y los destinados a demostraciones; los equipos utilizados como fuente principal de energía en lugar de un servicio público y los equipos sanitarios destinados al mantenimiento de las constantes vitales.

BRIGGS & STRATTON POWER PRODUCTS GROUP, LLC
JEFFERSON, WI, EE.UU

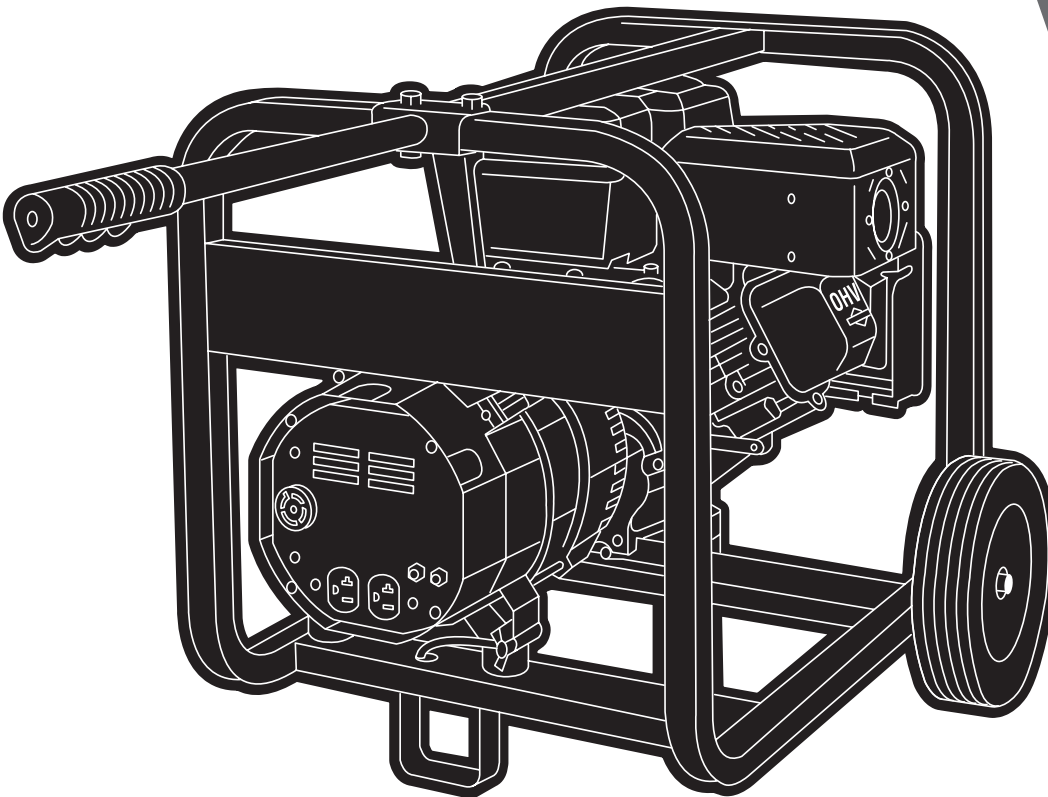


ELITE Series™

**PORTABLE GENERATOR
GÉNÉRATEUR PORTATIF
GENERADOR PORTÁTIL**

**Illustrated Parts List
Les Parties illustrées Enumèrent
Las Partes ilustradas Listan**

**01653
(3250W)**



Questions? Help is just a moment away!

Vous avez des questions? Vous n'avez pas besoin d'aller loin pour trouver de l'aide!

Preguntas? La ayuda es justa un momento lejos!

Call: Generator Helpline - 1-800-743-4115 M-F 8-5 CT

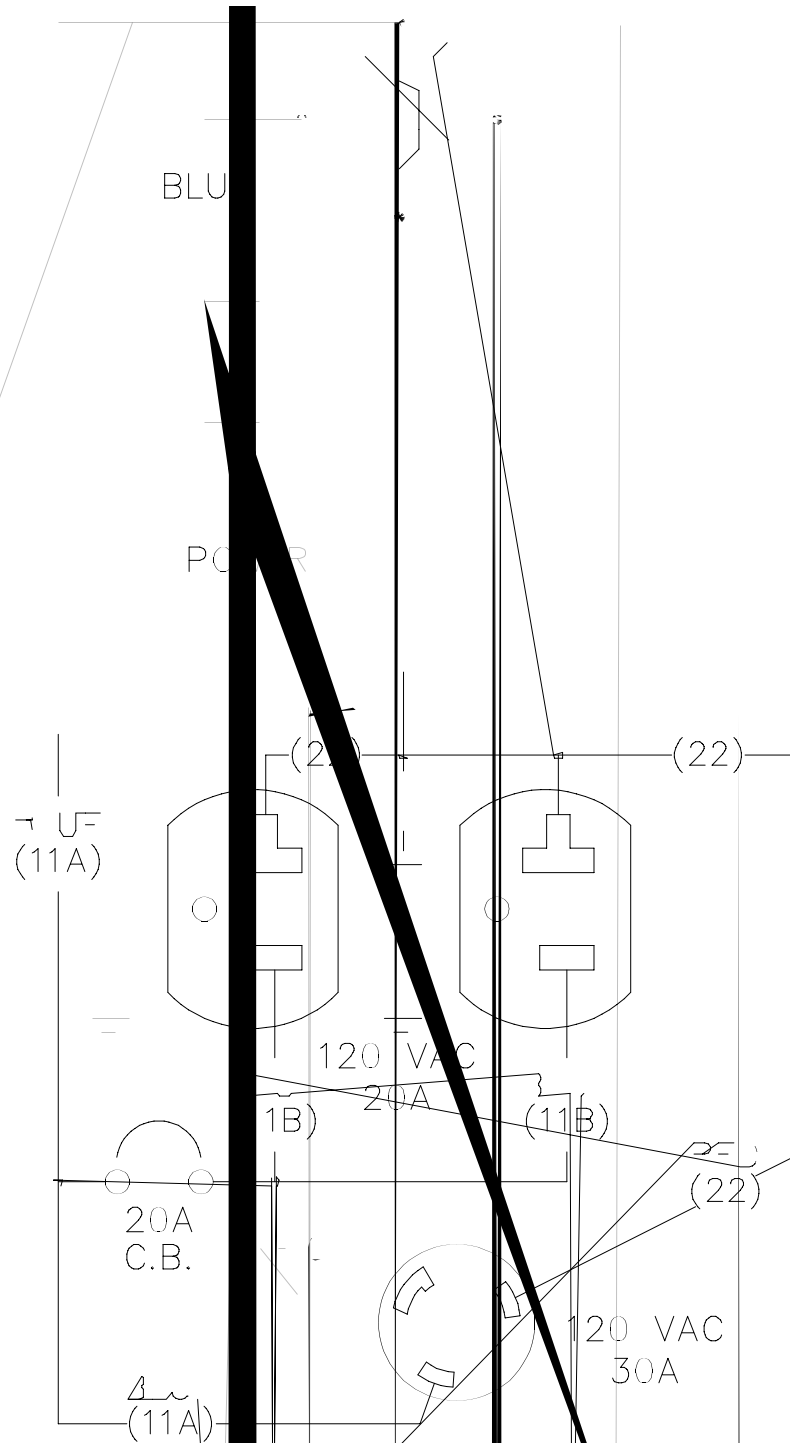
Appelez: Ligne d'assistance de Générateur - 1-800-743-4115 M-F 8-5 CT

Llamada: Generador Helpline - 1-800-743-4115 M-F 8-5 CT

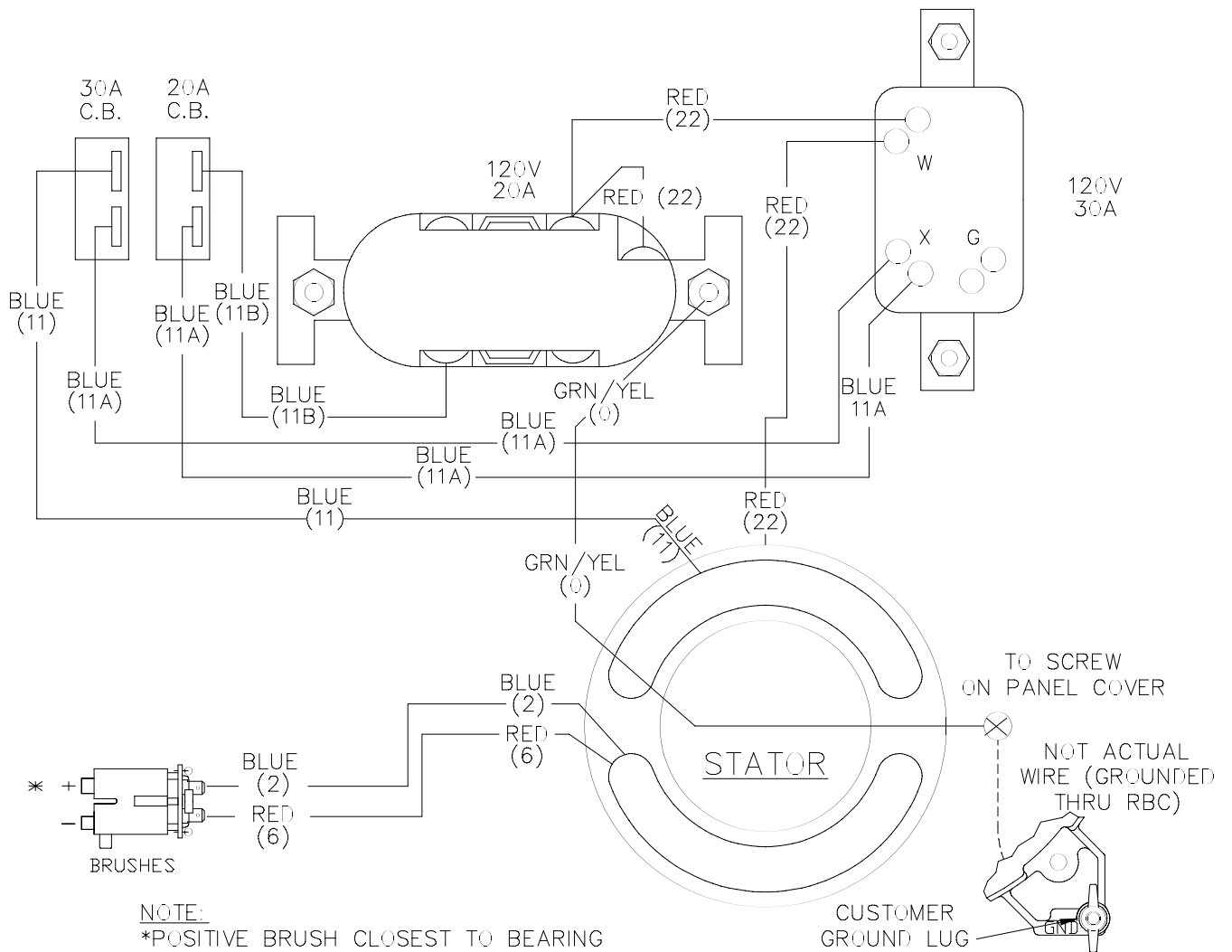
**BRIGGS & STRATTON POWER PRODUCTS GROUP, LLC
JEFFERSON, WISCONSIN, U.S.A.**

IPL No. 192214GS
Revision 0 (01/24/2003)

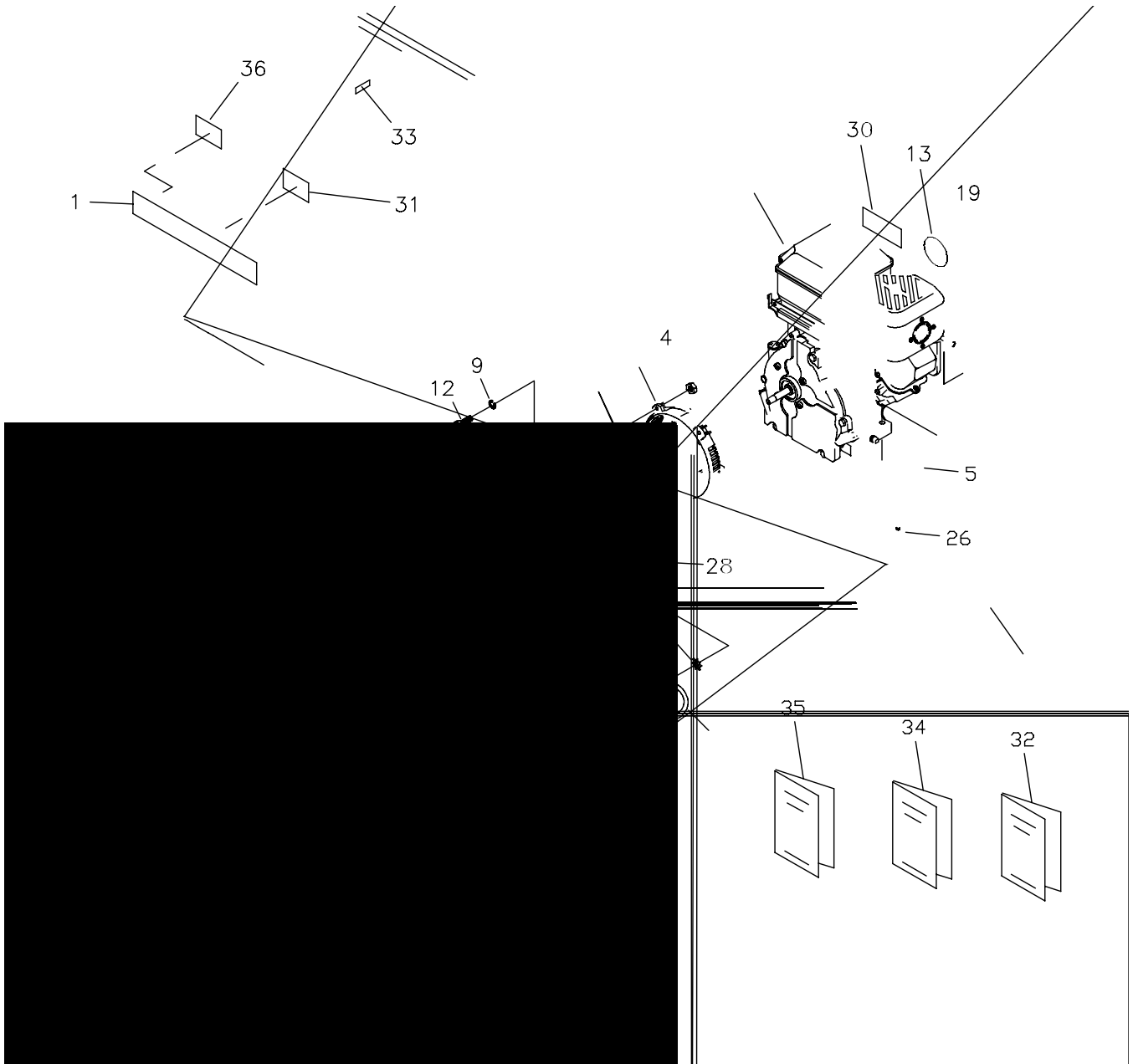
SCHEMATIC



WIRING DIAGRAM



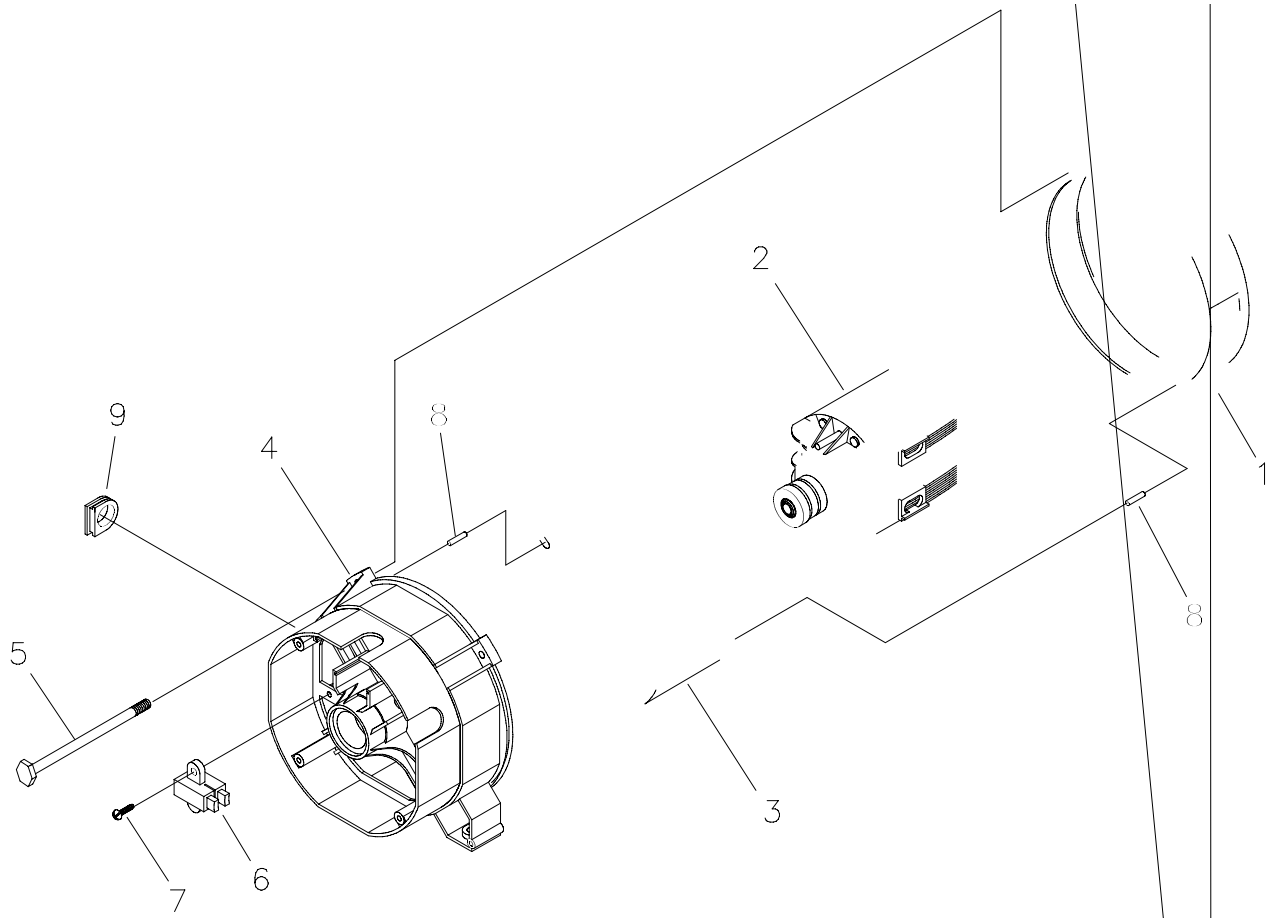
EXPLODED VIEW - MAIN UNIT



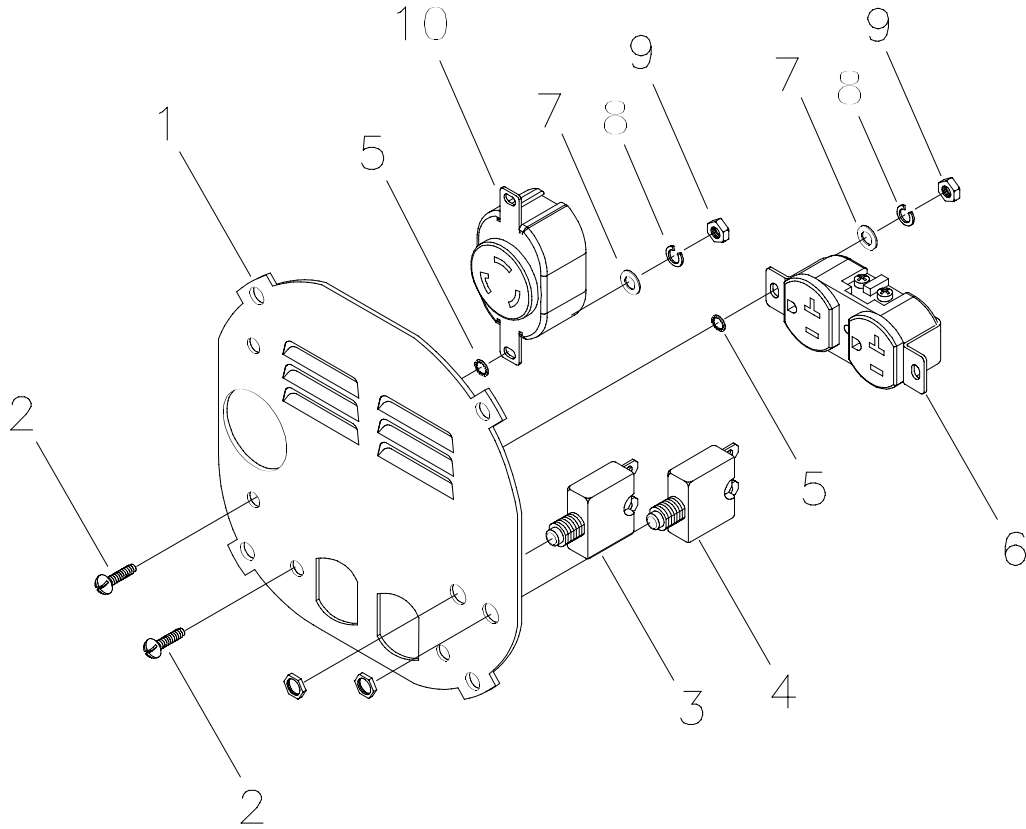
PARTS LIST - MAIN UNIT

Item	Part #	Qty.	Description
1	192180GS	1	DECAL, Unit
2	M190341GS	1	ASSEMBLY, Cradle
3	67989GS	10	NUT
4	45771GS	4	NUT
5	70642GS	4	MOUNT,Vibration Engine
6	186058AGS	1	HOUSING, Engine Adapter
7	86307GS	4	SCREW
8	192169GS	1	ASSY,Alternator (see page 6)
9	22129GS	6	WASHER, Lock
10	96796GS	1	WASHER
11	24823GS	1	SCREW
12	43107GS	4	SCREW
13	192490GS	1	DECAL, Recoil
14	55199JGS	1	WIRE, Ground Panel
15	86308GS	4	SCREW
16	189645GS	1	ASSY, Control Panel (see page 7)
17	74908GS	4	SCREW
18	189999GS	1	DECAL, Control Panel
19	192181GS	1	DECAL,Air Cleaner
20	70644GS	2	SCREW
21	86494GS	1	SCREW,Wing
22	26850GS	2	WASHER
23	14353621GS	1	WIRE, Ground
24	B4986GS	1	DECAL, Ground
25	23762GS	2	WASHER
26	84346GS	2	SCREW
27	86292GS	1	SCREW
28	84242GS	2	GROMMET, Plastic RBC
29	BB3061GS	1	BOTTLE, Oil
30	192491GS	1	DECAL, Fuel Tank
31	191775GS	1	DECAL, Start Instructions
32	192214GS	1	MANUAL, IPL
33	191436GS	1	DECAL, Caution Hot Muffler
34	192348GS	1	MANUAL, Owners
35	275092	1	MANUAL, Engine, B&S
36	93639GPGS	1	DECAL, Danger
900	NSP	1	ENGINE

EXPLODED VIEW AND PARTS LIST - ALTERNATOR

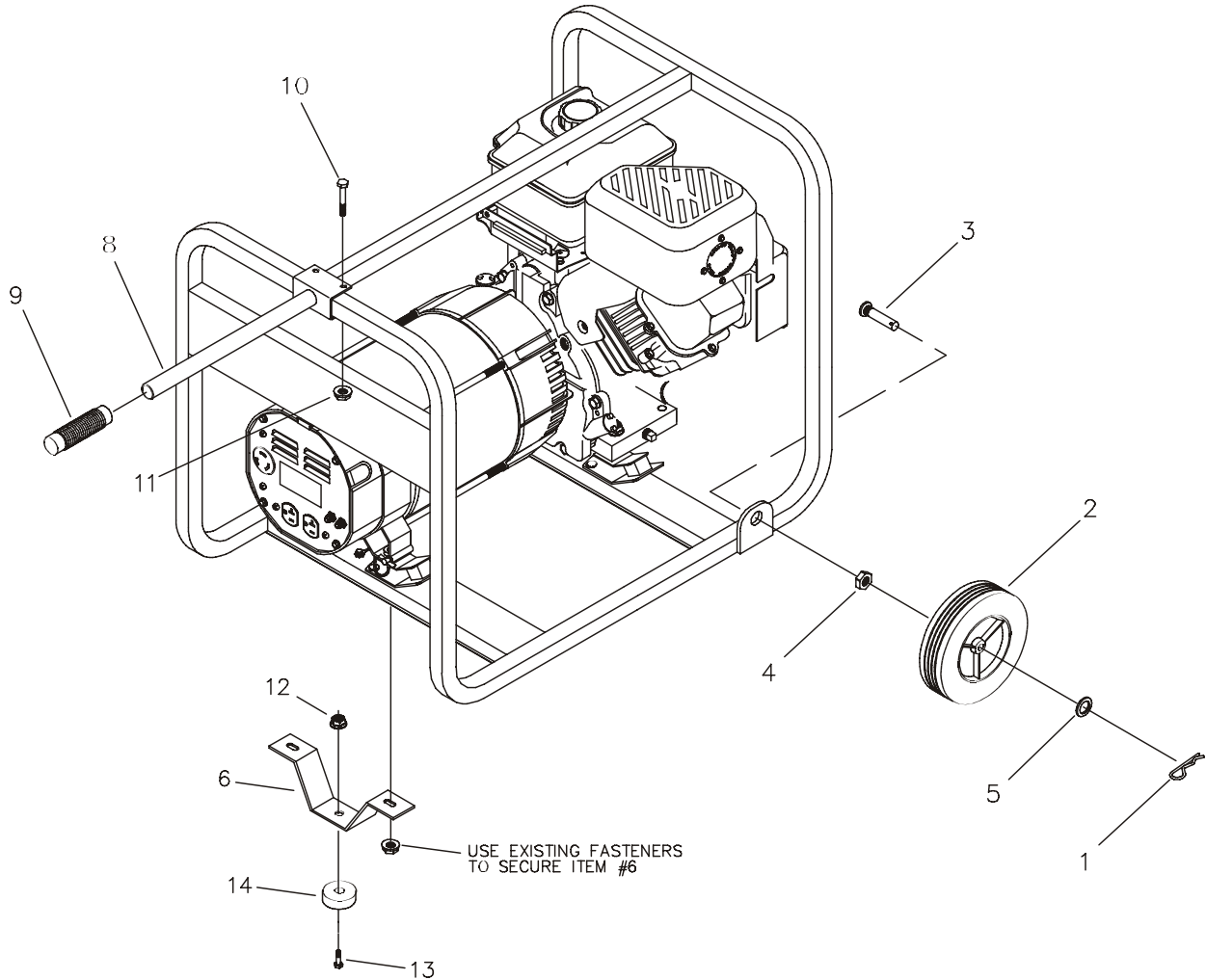


EXPLODED VIEW AND PARTS LIST - CONTROL PANEL



Item	Part #	Qty.	Description
1	95600GS	1	COVER, Control Panel
2	75475GS	4	SCREW
3	94396BGS	1	BREAKER, Circuit
4	94396FGS	1	BREAKER, Circuit
5	23365GS	4	WASHER
6	68759GS	1	OUTLET, 120V, 20A Duplex
7	38150GS	4	WASHER
8	22264GS	4	WASHER, Lock
9	51715GS	4	NUT
10	68868GS	1	OUTLET, Locking, 120V AC, 30A

EXPLODED VIEW AND PARTS LIST - WHEEL KIT



Item	Part #	Qty.	Description
1	87005AGS	2	PIN, Retaining
2	87280GS	2	WHEEL
3	93728GPGS	2	STUD, Axle
4	94222QGS	2	JAM NUT, Lock
5	49808GS	2	WASHER
6	190505GS	1	LEG, Mounting
8	B84910GS	1	HANDLE (Includes Item 9)
9	75928GS	1	GRIP, Handle
10	39287GS	2	SCREW
11	52858GS	2	NUT, Lock
12	77395GS	1	NUT, Lock
13	47411GS	1	SCREW
14	87841GS	1	MOUNT, Vibe

Free Manuals Download Website

<http://myh66.com>

<http://usermanuals.us>

<http://www.somanuals.com>

<http://www.4manuals.cc>

<http://www.manual-lib.com>

<http://www.404manual.com>

<http://www.luxmanual.com>

<http://aubethermostatmanual.com>

Golf course search by state

<http://golfingnear.com>

Email search by domain

<http://emailbydomain.com>

Auto manuals search

<http://auto.somanuals.com>

TV manuals search

<http://tv.somanuals.com>