

**MODEL 37610701 - 04**



# **PECO OWNERS MANUAL FOR A SCAG UNIT**

**P# Q0118**



CONGRATULATIONS AND THANK YOU FOR BUYING THIS PECO LAWN VACUUM. Your new PeCo Vac has been engineered and manufactured to PeCo's high standards for safety, quality and dependability and ease of operations.

**Save This Manual For Future Reference**

**MODEL 37610701 - 04**

**PeCo**

## PeCo Limited Warranty for New Products

### A. WHAT IS WARRANTED?

PeCo extends the following warranties to the original purchaser of each new PeCo consumer product subject to the following limitations.

#### 1. PRODUCT WARRANTY.

Any part of any consumer product, which is defective in material or workmanship as delivered to the purchaser will be repaired or replaced, as PeCo elects, without charge for parts or labor, if the defect appears within 12 months from the date of delivery of the product to the original purchaser. **ALL DEFECTIVE PARTS MUST BE RETURNED TO PeCo FOR INSPECTION TO DETERMINE VALIDITY OF WARRANTY CLAIMS.** Freight and mailing charges will be borne by the customer.

#### 2. PARTS REPLACED DURING WARRANTY.

Any new PeCo part which is furnished in performance of this warranty and is defective in material or workmanship as delivered to the purchaser will be repaired or replaced, as PeCo elects, without charge if the defect appears within 90 days from the date of installation of such part or before the expiration of the original warranty period, whichever is later.

### B. SECURING WARRANTY ADJUSTMENTS

Damaged or broken parts other than engines or batteries, must be returned to PeCo, Inc., P.O. Box 1197, Arden, NC 28704 before any warranty adjustment can be authorized. At the time of requesting warranty adjustment, the purchaser must present evidence of the date of delivery of the product. The purchaser shall pay any charge for transporting the product to and from Arden, NC.

### C. ITEMS NOT COVERED BY PeCo WARRANTY.

Engines and batteries attached to PeCo products are covered under a separate warranty by the respective manufacturer.

### D. UNAPPROVED ALTERATION OR MODIFICATION.

All obligations of PeCo, Inc. under this warranty shall be terminated if products are altered or modified in ways not approved by PeCo, Inc.

### E. ACCIDENTS AND NORMAL MAINTENANCE.

The warranty covers only defective material and workmanship. It does not cover depreciation or damage caused by normal wear, accident, improper use or abuse of products. The cost of normal maintenance and normal replacement of service items such as belts, cutting blades, hoses, etc., which are not defective shall be paid for by the purchaser.

### F. NO REPRESENTATIONS ADDITIONAL WARRANTIES, DISCLAIMER.

Neither PeCo, Inc. nor any company affiliated with it makes any warranties, representations or promises as to the quality of performance of its products other than those set forth herein. Except as described above, PeCo, Inc. makes no other warranties **AND SPECIFICALLY DISCLAIMS ANY AND ALL IMPLIED WARRANTIES OF FITNESS AND MERCHANTABILITY.**

### G. ANY MACHINE USED FOR RENTAL OR COMMERCIAL PURPOSES GUARANTEED FOR 45 DAYS FROM DATE OF ORIGINAL SALE ONLY.

### H. REMEDIED EXCLUSIVE.

The only remedies the purchaser has in connection with the breach or performance of any warranty on PeCo, Inc. consumer products are set forth above. In no event will PeCo be liable for special incidental or consequential damages.

### I. NO DEALER WARRANTY.

The selling dealer makes no warranty on his own on any item warranted by PeCo, Inc. unless he delivers to purchaser a separate written warranty certificate specifically warranting the item. The dealer has no authority to make any representation or promise on behalf of PeCo or to modify the terms of limitations of this warranty in any way.

## Outdoor Power Equipment Institute Recommendations

### WARNING TO PURCHASERS OF INTERNAL COMBUSTION ENGINE EQUIPPED MACHINERY OR DEVICES IN THE STATE OF CALIFORNIA:

The equipment which you have purchased does not have a spark arrester muffler. If this equipment is to be used on any forest covered and brush covered land or grass covered unimproved land in the state of California, the law requires that a spark arrester muffler be installed and be in effective working order. The spark arrester must be attached to the exhaust system and comply with Section 4442 of the California Public Resources Code.

1. Read the owner's manual carefully and familiarize yourself with the proper use of your attachment. Do not allow anyone who is not acquainted with the Safety Instructions to use your attachment.
2. Know the controls and how to stop quickly. **READ THE OWNER'S MANUAL!**
3. Do not allow children to operate the vehicle. Do not allow adults to operate it without proper instruction.
4. Be especially watchful of children and pets darting into the area while operating.
5. Keep your eyes and mind on your tractor while mowing or operating your attachment. Don't let others distract you.
6. Do not attempt to operate your tractor or mower when not in the driver's seat.
7. Always stop Vac engine when emptying the container.
8. Stop tractor and vac engines and remove spark plug wire before removing or replacing hose, boot, blower cone or performing any maintenance.
9. Mow up and down the face of slopes (not steeper than 10 degrees); never across the face of the slope.
10. It is recommended that the container be kept only half full when negotiating any slopes. Start mowing on slopes when the container is empty.
11. Inspect your lawn and remove any foreign objects before mowing. Never deliberately run mower across any foreign object.
12. Wear ear protection if noise level is offensive.

### WARNING!

NEVER operate the mower unless the discharge guard and either the deflector assembly or the vacuum collector adapter are fastened securely in place.

### WARNING!

To avoid serious injury, perform maintenance on the vacuum collector **ONLY AFTER STOPPING THE TRACTOR ENGINE AND WAITING FOR ALL MOVING PARTS TO COME TO A COMPLETE STOP.** Set the parking brake. Always remove the ignition key before beginning the maintenance

### WARNING!

Do not work around the mower deck boot or the blower area until you are certain that the mower blades and the blower fan have stopped rotating.

### WARNING!

For your personal safety, **ALWAYS** mow **UP** and **DOWN** the face of slopes and **NEVER** across the face. **NEVER** attempt to mow excessively steep slopes and use caution when turning on any slope.

## STEP 1:

Remove plate on rear of mower as shown. Redrill top two holes for a 3/8"-16 hex bolt to mount Mount Plate onto mower frame.

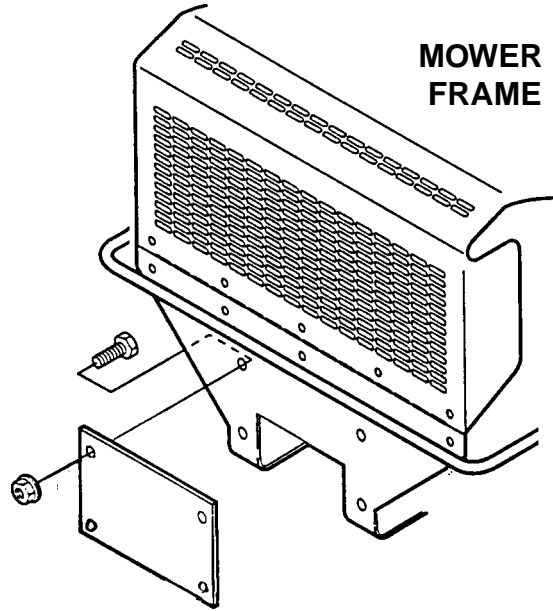
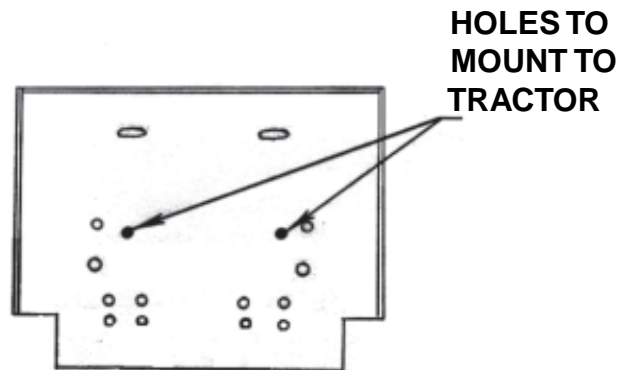
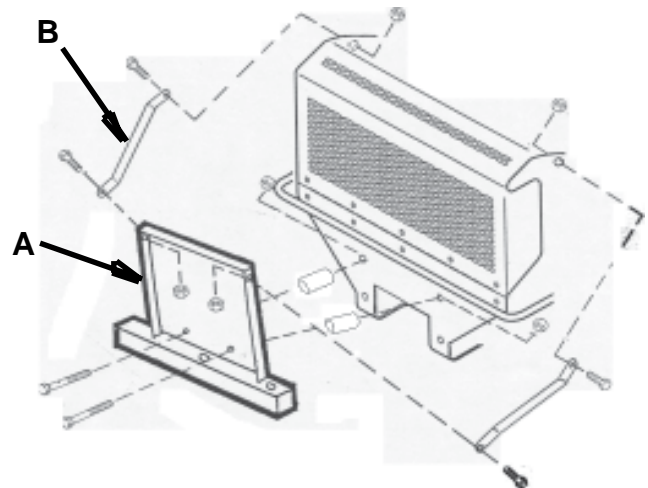


FIG. 1-1  
DESIGNATION OF  
HOLES ON THE  
MOUNT PLATE



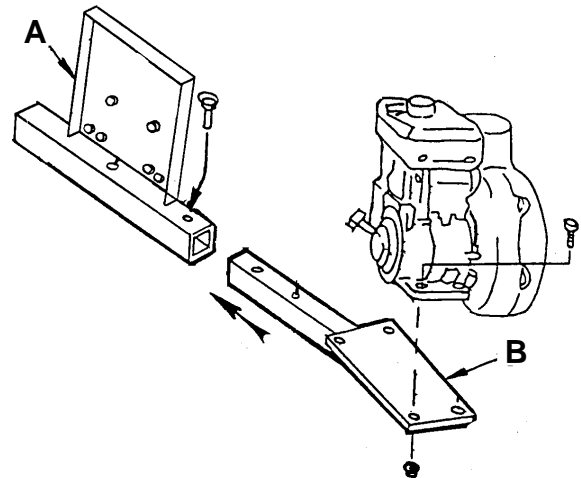
## STEP 2:

Use (2) 3/8"-16 x 2" (#K1208) , and (2) 3/8"-16 flange nuts (#K1215) to secure Mount Plate (A) to mower frame. Use (2) 1" spacers (#S0138) between Mount Plate (A) and mower frame. Place (1) Bracket (B) on each side of Mount Plate (A). Use (1) 3/8"-16 x 3/4" hex bolt (#K1190) and (1) 3/8"-16 flange nut (#K1215) to mount each bracket. Use existing bolts from mower frame to mount Bracket (B) to mower. Use figure 1-1 to place bolts.



## STEP 3:

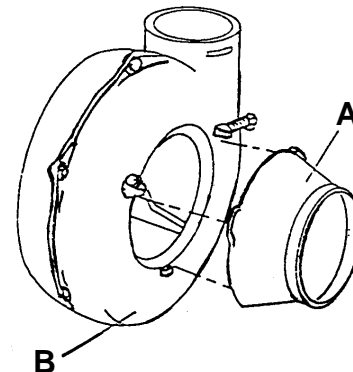
Slide Engine Mount Arm (B) into the receiver on the Mount Plate (A) and fasten by dropping in ball pin (#J0248). Place Engine/Blower Assembly onto Engine Mount Arm (B) and fasten with (4) 5/16"-18 x 1 1/2 hex bolts (#K1157) and (4) 5/16"-18 flange nuts. Tighten nuts and bolts.



## STEP 4:

The ears of the Cone (A) should fit underneath the two threaded bosses on the Blower Face (B). Secure with (2) 5/16"-18 x 2" cone bolts.

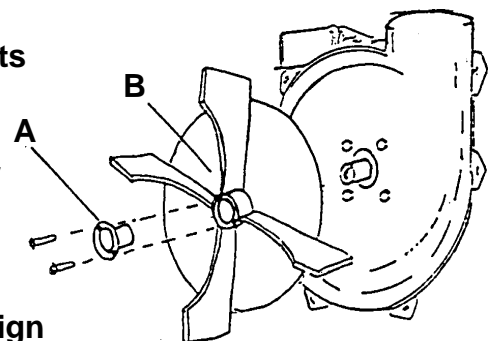
**TIGHTEN CONE BOLTS BEFORE EACH USE!**



### Impeller Blade Replacement

**To remove:** Remove hex bolts from hub then screw the bolts into threaded holes to remove old blade. (This will push the impeller off the hub.) If the impeller is stuck on hit the base of the impeller between each vein with a hammer then try the bolts again.

**To replace:** Place tapered bushing (A) into hub (B) and align non-threaded holes with the holes in the hub. Secure with two 1/4" x 1" hex bolts. Torque to 15 ft. lbs.



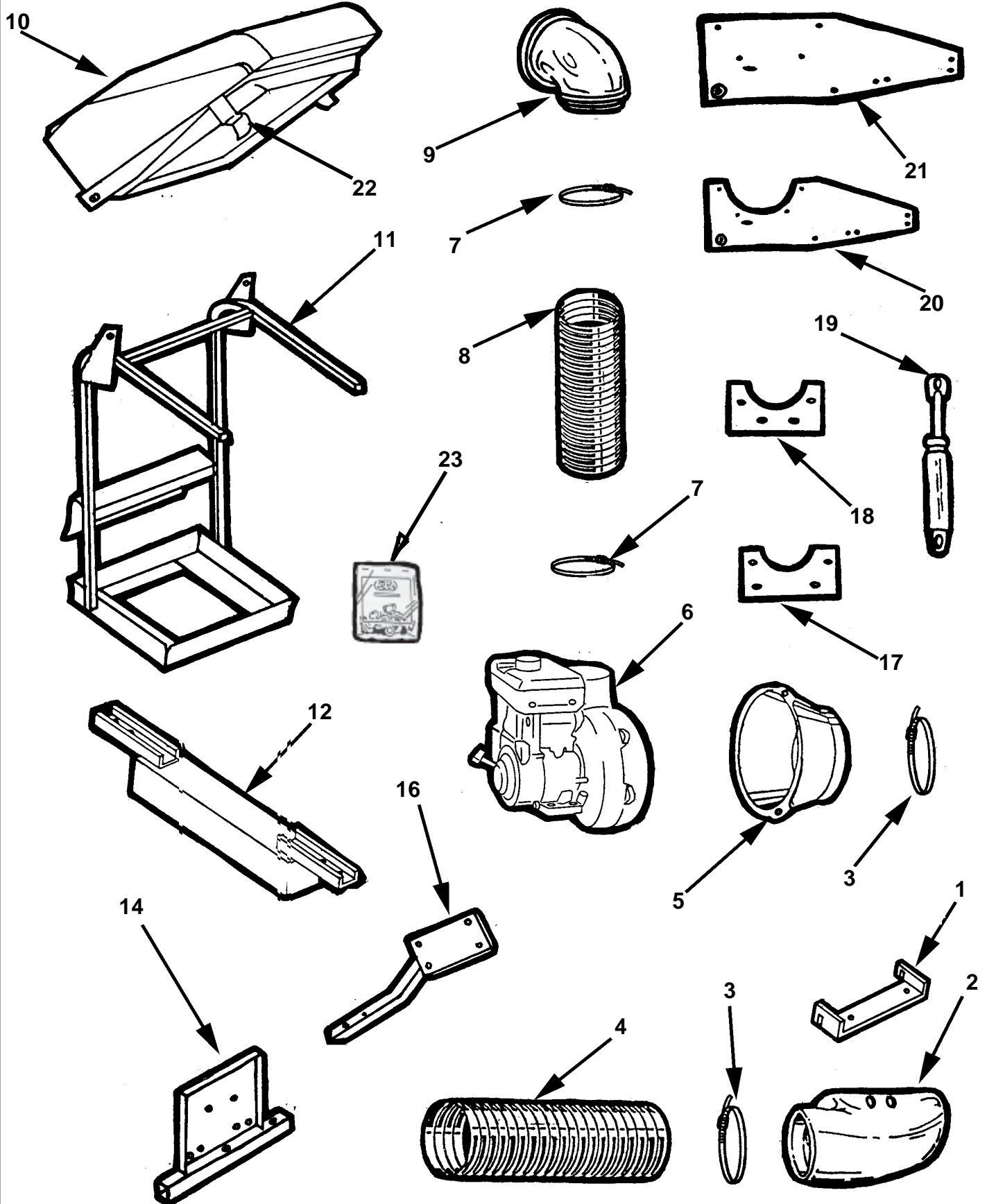
# PARTS LIST



| REF. NO. | PART NO. | DESCRIPTION  | QTY. |
|----------|----------|--|------|
| 1        | B3749    | BOOT PLATE   | 1    |
| 2        | *****    | BOOT (SPECIFY DECK SIZE)                           | 1    |
| 3        | J6006    | 7"- 8" HOSE CLAMPS                                 | 2    |
| 4        | *****    | 42" LOWER HOSE                                     | 1    |
| 5        | *****    | BLOWER CONE  | 1    |
| 6        | *****    | ENGINE/BLOWER/BLADE ASSEMBLY                       | 1    |
|          | E4052A   | BLOWER HOUSING                                     |      |
|          | D4002    | 5HP BRIGGS & STRATTON ENGINE                       |      |
|          | A0645    | 4 BLADE IMPELLAR W/ S4311 BUSHING<br>W/ 3/4" SHAFT |      |
|          | D1016    | 6HP KOHLER ENGINE                                  |      |
|          | A0914    | 4 BLADE IMPELLAR W/ S4302 BUSHING<br>W/ 1" SHAFT   |      |
| 7        | J6011    | 5"- 6" HOSE CLAMPS                                 | 2    |
| 8        | *****    | 6"x32" UPPER HOSE                                  | 1    |
| 9        | V1054    | INLET  | 1    |
| 10       | A0023    | HARDTOP ASSEMBLY                                   | 1    |
| 11       | A0913    | BASE FRAME ASSY                                    | 1    |
| 12       | A0931    | (OPTIONAL) WEIGHT ASSEMBLY                         | 1    |
| 14       | A0929    | MOUNT PLATE ASSEMBLY                               | 1    |
| 16       | A0751    | ENGINE MOUNT ASSEMBLY                              | 1    |
| 17       | B1941    | INSIDE INLET PLATE                                 | 1    |
| 18       | B1926    | OUTSIDE RETAINING PLATE                            | 1    |
| 19       | J0316    | GAS STRUT  | 2    |
| 20       | A0021    | RIGHT HAND HINGE PLATE ASSEMBLY                    | 1    |
| 21       | A0022    | LEFT HAND HINGE PLATE ASSEMBLY                     | 1    |
| 22       | A0236    | LATCH ASSEMBLY                                     | 2    |
| 23       | A08215   | HARDWARE BAG                                       | 1    |
| 24       | V2002    | Plastic Container 7 cu, ft,                        |      |

# Exploded View of Model 376107

*PeCo*

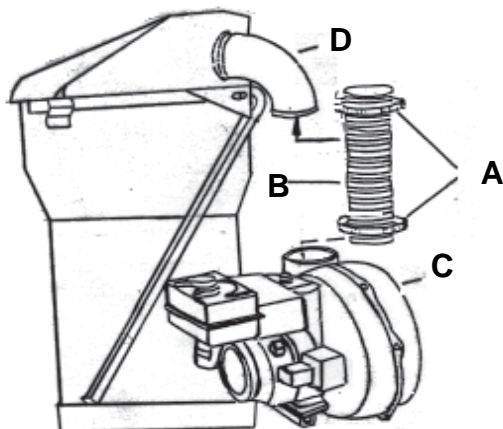
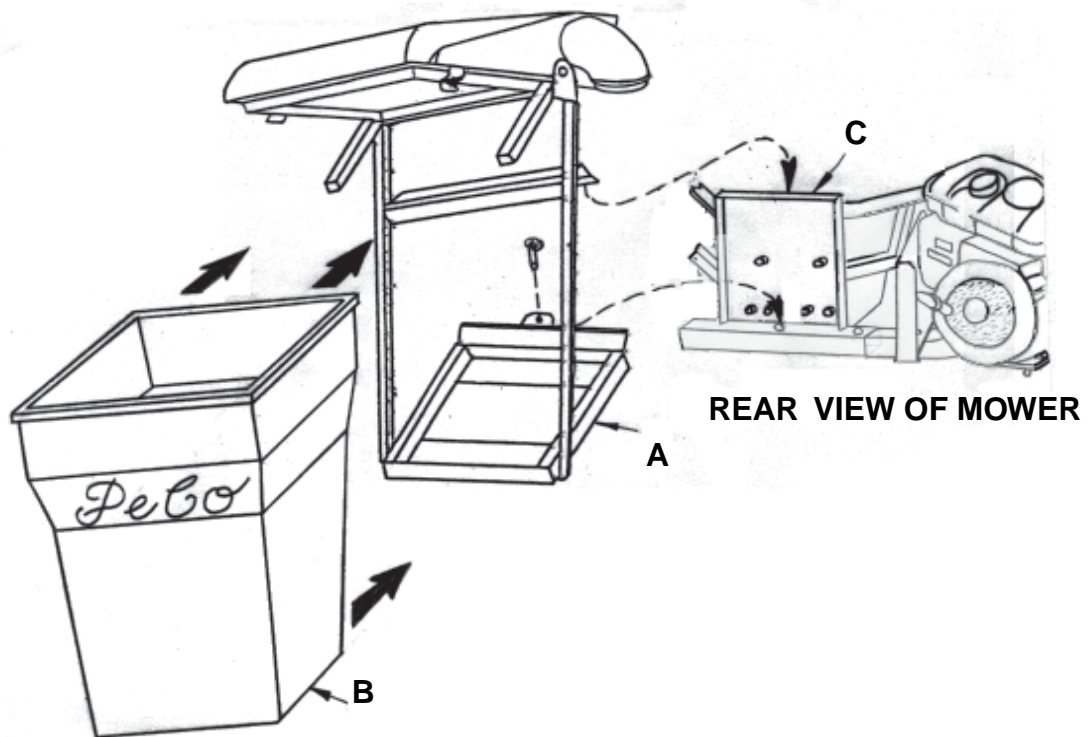


MODEL 37610701 - 04

PeCo 7

## STEP 5:

Attach Base Frame (A) to Mount Plate (C) and secure by dropping in ball pin (#J0248). With hood open on the Base Frame (A) insert the 7cu. ft. Canister (B) and close



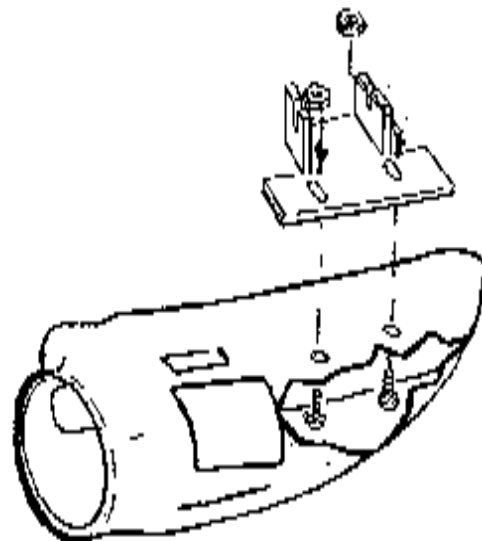
## STEP 6:

Place Clamps (A) over each end of 6" Hose (B). Attach one end of hose onto Blower Housing (C). Attach free end of hose over Inlet (D).  
**TIGHTEN CLAMPS!**



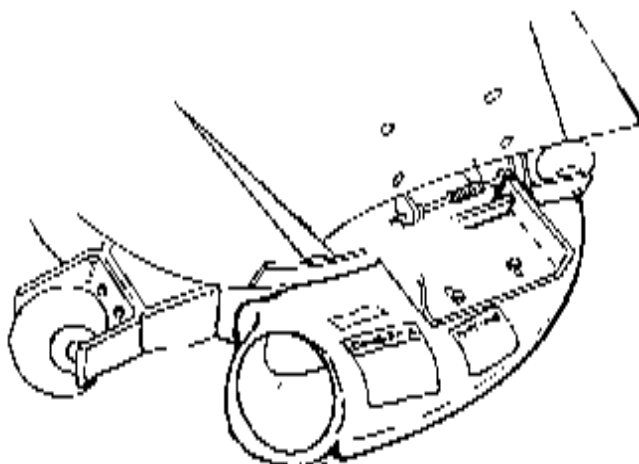
## STEP 7:

Attach Boot Retainer to Boot with 3/8" x 1" carriage bolts and 3/8" flange nuts as shown.  
**TIGHTEN NUTS AND BOLTS!**



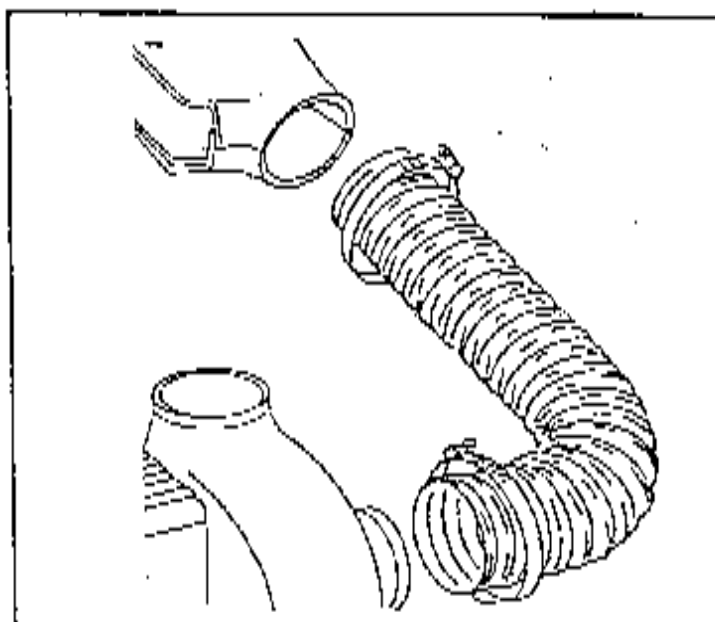
## STEP 8:

Lift mower deflector and hang Boot Plate as shown.



## STEP 9:

Place Clamp over each end of Lower Hose. Attach one end of hose over the Blower Cone. Tighten Clamp. Slide free end of hose over Boot and tighten clamps.



# MAINTENANCE



Your Lawn Vac was designed and built to provide years of service with only minor care. Certain tasks however must be performed to keep it in good operating condition and to avoid costly repairs. This section describes and provides procedures for the necessary care of the Lawn Vac.

| SCHEDULED CARE  | CARE REQUIRED  |
|-----------------|--|
| Before Each Use | Check engine oil.<br>Check all hose connections.                       |
| After Each Use  | Clean Collector Box, hoses and engine of all grass and dirt.           |
| Every 10 Hours  | Check that all screws, nuts, bolts, pins, etc. are present and secure. |

## Storage

Never store your Lawn Vac with a full or partially filled container; decaying grass and leaves may constitute a fire hazard if left too long. Never leave your vac exposed to the elements. While the metal parts are protected with a quality paint, the engine and other unprotected parts may deteriorate if left exposed to rain or snow.

## Emptying The Lawn Vac

When the collector becomes full, the blower tone will change. In order to empty the container - Release the back door by moving the dump handle on the left hand side of the container. Release the door, push back on the container and the debris falls out. When empty, pull the box forward; move the dump handle in to properly close the rear door.

## Service

PeCo Lawn Vac Owners should record the name and telephone number of their tractor dealer. Your dealer will be happy to supply replacement parts, accessories and do any service or repairs to your lawn vac. If for some reason your dealer is unable to service your lawn vac or supply replacement parts, contact PeCo and include the following information:

|                                      |                         |
|--------------------------------------|-------------------------|
| Tractor Model: _____                 | Year of Mfg. _____      |
| Deck Size: _____                     |                         |
| PeCo Vac Model: _____                |                         |
| Vac Serial Number: _____             |                         |
| Date of Purchase: ____ / ____ / ____ |                         |
| Dealer Name: _____                   |                         |
| Dealer's City: _____                 | State: _____ Zip: _____ |
| Dealers Phone Number: _____          |                         |

## Diagnostic Procedures

Trouble shooting procedures are provided in the chart below. To use these procedures, first locate the problem description that best describes the trouble that you have encountered. Check the possible causes one at a time in the list. Correct any problems that are found and operate the vacuum collector again to verify that you have eliminated the problem.

**DO NOT** attempt any major repairs without first contacting your dealer.

| PROBLEM  | CAUSE  | SOLUTION  |
|--|--|---|
| Leaves and Grass not being picked up completely. | <ol style="list-style-type: none"> <li>1. Engine speed too slow</li> <li>2. Ground speed too fast.</li> <li>3. Hose plugged.</li> </ol>  | <ol style="list-style-type: none"> <li>A. Run at full throttle.</li> <li>B. Use lower gear</li> <li>C. Check and tighten all hoses.</li> <li>D. Unplug hose.</li> </ol>                       |
| Hoses plug easily.                               | <ol style="list-style-type: none"> <li>1. Grass or leaves too wet.</li> <li>2. Grass too high.</li> <li>3. Container full.</li> <li>4. Grass buildup in boot or under mower deck.</li> </ol> | <ol style="list-style-type: none"> <li>A. Wait for drier conditions.</li> <li>B. Reduce tractor ground speed/raise deck.</li> <li>C. Empty container</li> <li>D. Clean thoroughly.</li> </ol> |
| Vacuum Collector blower vibrates excessively.    | <ol style="list-style-type: none"> <li>1. Buildup on blower blades.</li> <li>2. Bent or chipped blade.</li> </ol>  | <ol style="list-style-type: none"> <li>A. Remove cone and clean blades.</li> <li>B. Contact your dealer or PeCo.</li> </ol>   |
| Unit fails to fill box.                          | <ol style="list-style-type: none"> <li>1. Engine speed too slow.</li> <li>2. Buildup on inlet or screen</li> <li>3. Grass is too wet or long.</li> </ol>                                     | <ol style="list-style-type: none"> <li>A. Run at full throttle.</li> <li>B. Clean thoroughly.</li> <li>C. Wait for dryer conditions.</li> </ol>   |

The Serial Number Plate is located on the aluminum box near the dump handle.

OUTDOOR POWER EQUIPMENT

Model Number

Serial Number

Arden, North Carolina 28704



P.O. Box 1197  
Arden, North Carolina 28704  
1-800-438-5823 or (828) 684-1234 fax-(828) 684-0858  
email: [peco@ioa.com](mailto:peco@ioa.com)

## Free Manuals Download Website

<http://myh66.com>

<http://usermanuals.us>

<http://www.somanuals.com>

<http://www.4manuals.cc>

<http://www.manual-lib.com>

<http://www.404manual.com>

<http://www.luxmanual.com>

<http://aubethermostatmanual.com>

Golf course search by state

<http://golfingnear.com>

Email search by domain

<http://emailbydomain.com>

Auto manuals search

<http://auto.somanuals.com>

TV manuals search

<http://tv.somanuals.com>