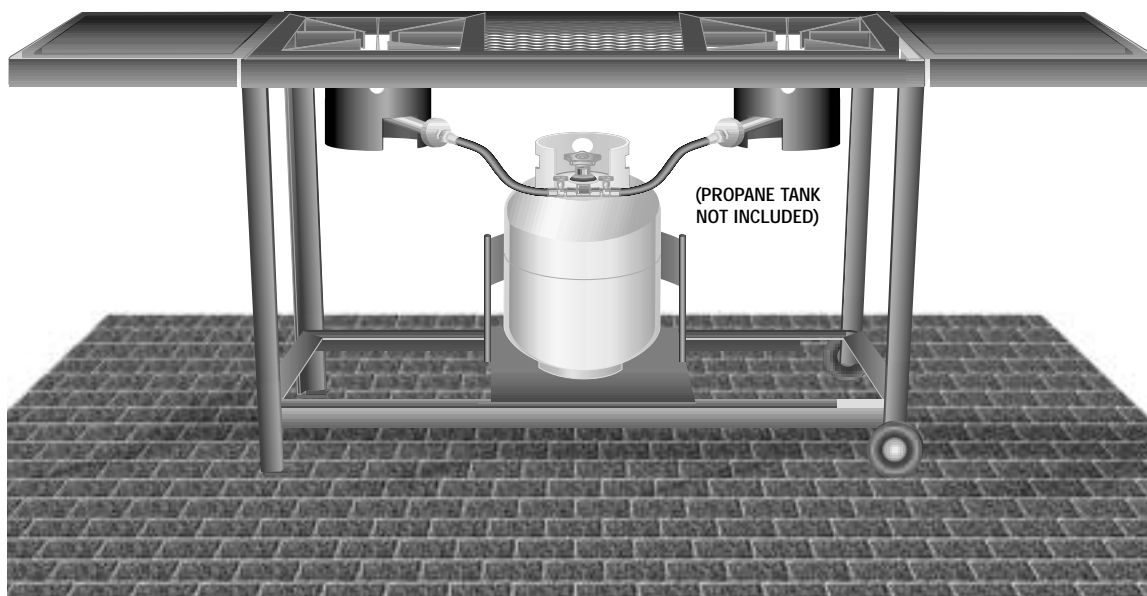


BRINKMANN®
OUTDOOR GAS COOKER
HEAVY DUTY • DOUBLE BURNER • GAS COOKER/FRYER

OWNER'S MANUAL
ASSEMBLY AND OPERATING INSTRUCTIONS


⚠ WARNING


READ AND FOLLOW ALL WARNINGS AND INSTRUCTIONS IN THIS MANUAL TO AVOID PERSONAL INJURY OR PROPERTY DAMAGE.




IMPORTANT SAFETY WARNINGS

WE WANT YOU TO ASSEMBLE AND USE YOUR COOKER AS SAFELY AS POSSIBLE.

THE PURPOSE OF THIS SAFETY ALERT SYMBOL  IS TO ATTRACT YOUR ATTENTION TO POSSIBLE HAZARDS AS YOU ASSEMBLE AND USE YOUR COOKER.

WHEN YOU SEE THE SAFETY ALERT SYMBOL , PAY CLOSE ATTENTION TO THE INFORMATION WHICH FOLLOWS!

 READ ALL SAFETY WARNINGS AND INSTRUCTIONS CAREFULLY BEFORE ASSEMBLING AND OPERATING YOUR COOKER.

WARNING

1. This cooker is to be used Outdoors Only. Do not operate indoors (house, tent, garage) or in any unventilated or enclosed area. In windy weather, cooker should be located in an outdoor area that is protected from the wind.
2. Only use cooker on a level, noncombustible, stable surface (concrete, ground, etc.) Do not use on wooden or other surfaces that could burn. Do not place cooker within ten feet of materials that could burn (house, fence, tall grass, etc.)
3. Do not leave cooker unattended when hot or in use. Only adults are to operate this cooker; keep children and pets safely away. Carefully monitor all activity around cooker to avoid burns or other injuries.
4. Do not use on apartment balconies, campers or patios.
5. Hot oil or water can cause severe burns and permanent disfigurement: Use caution and common sense when operating this product.
 - Do not move cooker while in use or while pan contains hot liquid.
 - Use caution when walking or standing near cooker as splattered oil may have created a slick surface.
 - Avoid bumping into cooker or pan/pan handle to prevent hot liquid spills or overturning cooker.
 - Should oil spill-over/boil-over occur, be sure to check that flame was not extinguished by liquid. Gas could accumulate creating a highly flammable and very dangerous situation. Allow all gas to dissipate prior to relighting cooker.
 - Smoking oil is an indication that the oil is too hot and may ignite. Reduce flame immediately to avoid igniting oil. Never exceed 375° F.
 - Frozen food should be thawed before placing in hot oil to avoid burns from splattered oil.
 - Use extreme caution when lifting basket out of pan; lift slowly to ensure pan and basket are not stuck together and to allow oil to drain into pan. As contents may be heavy and oil may drip or splatter from basket, extra attention must be used during this process to avoid overturning pan of hot liquid.
 - Always hang basket directly over pan.
 - Avoid touching hot surfaces, wear oven mitts to protect your hands and non-slick shoes.

⚠ WARNING

6. Propane gas is extremely flammable, follow these instructions:
 - Use only LP gas cylinders marked "Propane" which are U.S. Department of Transportation (DOT) certified.
 - Always use the gas pressure regulator supplied with this product which is regulated for an outlet pressure of 15 PSI; the use of other regulators or no regulator could result in dangerous gas leakage.
 - Check all gas connections by following directions in the "Gas Leak Testing" section of this manual. Never test for gas leaks with a lighted match or open flame. Do not operate this cooker with a gas leak.
 - Propane is heavier than air and can accumulate in low places. Keep propane tank, at all times, in a well ventilated area. If you smell gas – leave the area immediately and call for help.
 - Never use a hose that shows signs of cracking or damage. Replace hose every two years.
 - Do not use or store cooker near gasoline or other flammable liquids, gases or where flammable vapors may be present.
 - Never store propane tank in an enclosed area (house, garage, etc.). Store outdoors in a well ventilated, shaded area, away from any heat source or open flame and away from children's reach.
 - Turn the cooker "OFF" with the propane tank valve; use the needle valves when lighting the burners and to adjust the flame. Read all warnings on or accompanying propane tank.
 - Disconnect the propane tank from the cooker when not in use. A safety plug should be placed in the propane tank valve.
7. Keep hands, face and hair away from burner. Use long matches or long-nosed lighter to light the burner. Do not wear loose clothing or allow long hair to hang freely while lighting or using cooker.
8. Only use flat bottom metal cookware and center evenly over burner. Never put an empty pan over an open flame; the bottom of the pan could melt. Do not use plastic, ceramic or glassware. Any pan larger than 14 1/2" may not sit properly on burner stand and could cause hot liquids to spill or overturn cooker.
9. Do not fill cookware beyond one-half full with liquid to allow room for the addition of food and to avoid boil-over of hot liquid. In some cases, depending on the weight or size of food, even less liquid will be required. If spill-over/boil-over occurs, check to make sure flame was not extinguished by liquid. Gas could accumulate causing a highly flammable, very dangerous situation. Allow gas to dissipate prior to relighting cooker.
10. In case of grease fire, do not use water to extinguish flame. Turn gas OFF at propane tank and use fire extinguisher approved for use with gas appliances or other appropriate means to extinguish flame.
11. Do not use this cooker on recreational vehicle or boat.
12. Do not use this cooker for other than its intended purpose.
13. Only use replacement/accessory parts manufactured by The Brinkmann Corporation. Repairs should be performed by The Brinkmann Corporation.
14. Properly dispose of all packaging materials.

⚠ USE CAUTION AND COMMON SENSE WHEN OPERATING YOUR COOKER.

⚠ FAILURE TO ADHERE TO THE SAFETY WARNINGS AND GUIDELINES IN THIS MANUAL COULD RESULT IN BODILY INJURY OR PROPERTY DAMAGE.

SAVE THIS MANUAL FOR FUTURE REFERENCE.

ASSEMBLY INSTRUCTIONS

⚠ READ ALL SAFETY WARNINGS & ASSEMBLY INSTRUCTIONS CAREFULLY BEFORE ASSEMBLING OR OPERATING YOUR COOKER.

Inspect contents of the box to ensure all parts are included and undamaged.

FOR MISSING PARTS, PLEASE CALL CUSTOMER SERVICE AT 1-800-527-0717.

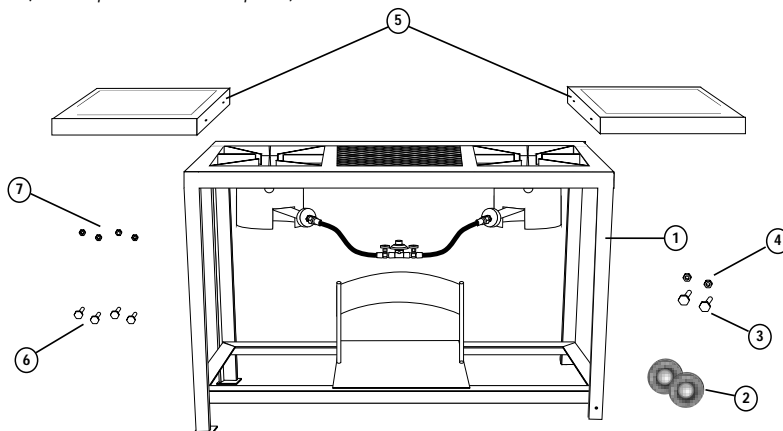
(Proof of purchase will be required.)

TOOLS REQUIRED TO ASSEMBLE YOUR COOKER:

- 2 Adjustable wrenches OR Adjustable wrench and the following wrenches:
- 3/8" Open end wrench
- 3/4" Open end wrench

PARTS LIST:

- ① 1 Cooker Stand
- ② 2 Wheels
- ③ 2 Axle Bolts
- ④ 2 Axle Nuts
- ⑤ 2 Side Tables
- ⑥ 4 3/8" x 1" Bolts
- ⑦ 4 3/8" Nuts



Step 1

Position the stand upside down as shown.

Step 2

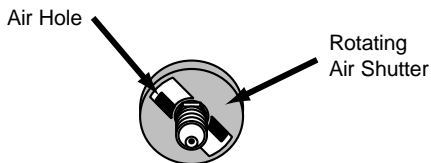
Attach wheels using the axle bolts and nuts. Tighten securely.

Step 3

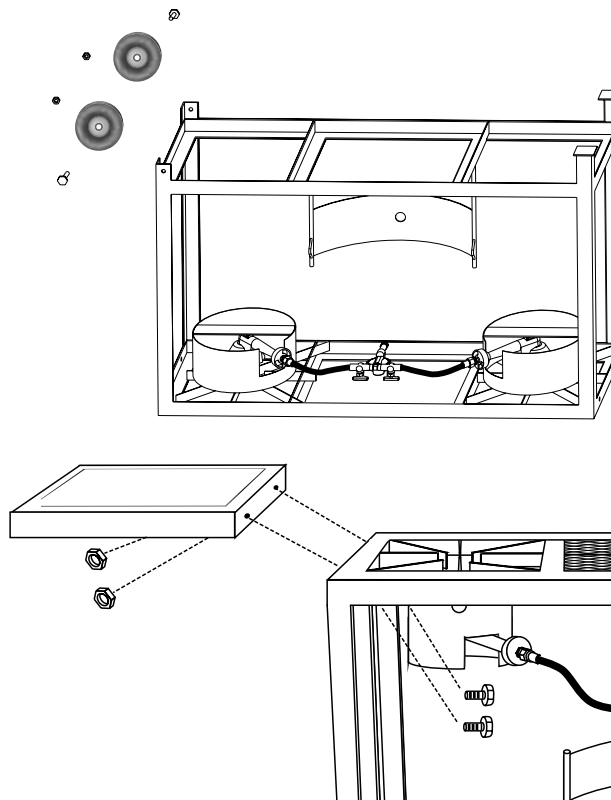
Set cooker with the burner assembly upright on a flat surface.

Step 4

Using the 3/8" nuts and 3/8" x 1" bolts, attach the side tables. Tighten securely.



NOTE: Make sure the male SAE fitting on the cooker is screwed into the air shutter and tightened securely. Do not over-tighten as the air shutter needs to move freely in order to adjust air intake. Check the attachment for proper connection every time propane tank is connected to cooker.



GAS LEAK TESTING

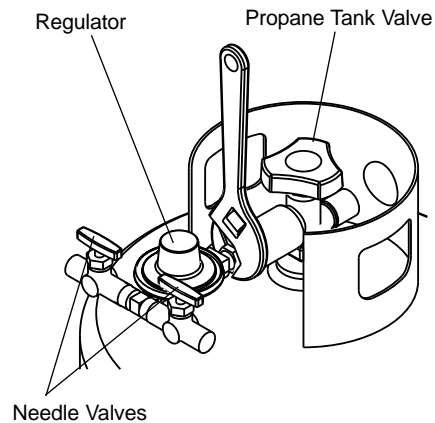
⚠ THE GAS LEAK TESTING PROCEDURE MUST BE PERFORMED EVERY TIME THE TANK IS CONNECTED TO COOKER.

⚠ WARNING

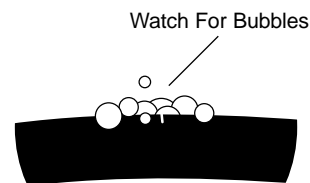
- Gas leak testing must be performed outdoors in a well ventilated area.
- During the gas leak testing procedure, always keep unit away from open flames, sparks or lit cigarettes.
- Never use a flame to check for gas leaks.
- Always use the propane tank valve to turn the unit OFF. The needle valves are used when lighting the burners and to adjust the flame.
- Never use a unit that has a gas leak. Contact The Brinkmann Corporation's Customer Service Department for replacement parts at 1-800-527-0717.

1. Make sure the propane tank valve and needle valves are turned OFF.
2. Make sure male SAE fitting is properly attached to air shutter refer to "**Assembly Instructions**". Attach POL fitting to tank using adjustable wrench and tighten by turning COUNTER-CLOCKWISE.
3. Prepare a soapy water solution (one part dishwashing liquid to three parts water) to test for gas leaks in the hose and connections. Apply a generous amount of the soapy mixture to the regulator, POL fitting, control valve, the entire length of hose and SAE fitting (located near the air shutter).
4. With the needle valves in the "OFF" position, open the propane tank valve two full turns (counter-clockwise). Next, open the needle valves fully and check for bubbles at control valve, along the entire length of hose and at the SAE fitting. **DO NOT LEAVE GAS ON FOR MORE THAN 10 SECONDS.** If soapy mixture starts bubbling, gas is leaking through the connection or hose. Turn the propane tank valve OFF and retighten the connection that is leaking gas. Repeat procedure with soapy mixture until gas no longer leaks. **NEVER USE A FLAME TO CHECK FOR GAS LEAKS.** Turn the propane tank valve OFF after each test.
5. Once all gas leaks have been sealed, **WAIT AT LEAST 5 MINUTES FOR GAS FUMES TO DISSIPATE BEFORE LIGHTING THE BURNER.**

Carefully follow "**Operating Instructions**" to light the burner and properly operate this unit.



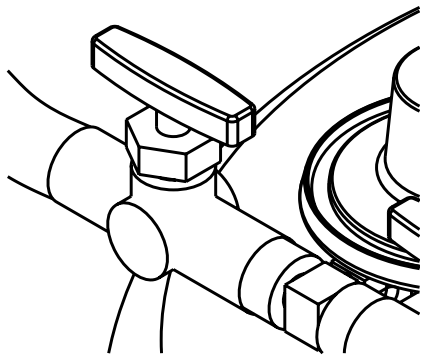
NOTE: POL fittings are made with a metal to metal seal and must be made very tight to prevent leaking. Make sure to not cross-thread fittings while tightening.



OPERATING INSTRUCTIONS

⚠ PLACE THE COOKER OUTDOORS ON A HARD, LEVEL, NONCOMBUSTIBLE SURFACE AWAY FROM ANY COMBUSTIBLE MATERIAL. IN WINDY WEATHER, THE COOKER SHOULD BE LOCATED IN AN OUTDOOR AREA THAT IS PROTECTED FROM THE WIND. GAS LEAK TESTING PROCEDURE MUST BE PERFORMED EVERY TIME THE COOKER IS USED.

⚠ READ ALL SAFETY WARNINGS AND INSTRUCTIONS CAREFULLY BEFORE OPERATING YOUR COOKER.



1. Make sure the needle valves are in the "OFF" position.
2. Fill metal cookware with desired amount of water or oil. Never fill pan more than half way to allow room for addition of food and to avoid boil-over of hot liquids. Never place an empty pan over an open flame. Do not place pan on cooker at this time.
3. Open the propane tank valve two full turns.
4. Using a long match, hold the flame 2" above burner porthole. Open the needle valve SLOWLY until the burner lights.

⚠ WARNING: If the burner does not light within 5 seconds, turn the propane tank valve and needle valve OFF immediately. Wait at least 5 minutes until gas fumes have dissipated before attempting to light the burner again.

5. After lighting the burner, open the needle valve until a large yellow flame appears. Adjust the air shutter valve on the cooker until the flame turns blue. Use the needle valve to adjust the flame accordingly.
6. To light the second burner, reduce the flame on the first, lit burner and repeat steps 4 and 5.
7. Place pan with liquid on cooker. Any pan larger than 14 1/2" may not sit properly on burner stand and could cause hot liquids to spill or overturn cooker.

⚠ WARNING: Before proceeding read all safety warnings and instructions carefully before operating your cooker.

8. Bring liquid to the desired cooking temperature. For best results, use a deep fry thermometer to check oil temperature. If oil begins to smoke, reduce the flame to avoid igniting the oil. Never exceed 375°F (190° C).
9. Use pan/pot with a cooking basket or strainer with handle to lower food into hot liquid. Lower food into the pan slowly. Frozen foods should be thawed to room temperature before placing in hot liquid. The temperature of liquid will drop when food is added. Adjust the flame to return to desired cooking temperature. When the desired temperature is achieved, reduce the heat to maintain temperature.



10. Test food for doneness using a meat thermometer after removing from hot liquid. Use caution as food will be very hot.

⚠ WARNING: Use extreme care when lifting basket out of pan. Always grip pan handle with one hand while lifting basket with the other. Failure to do so could create a situation where you pull the pan off the burner spilling the contents onto yourself or someone else. Always hang basket directly over pan as illustrated. This allows hot liquid to drip back into the pan. Hanging the basket in any other way could cause the pan to tip over, spilling hot liquid.

11. When food is done, turn cooker OFF. Always turn propane tank valve OFF first, then turn the needle valves OFF.

12. Allow cooker to cool completely, then follow instructions in the "After-Use Safety" and "Proper Care & Maintenance" sections of this manual.

AFTER-USE SAFETY

⚠ WARNING

- Always allow the cooker, pot and liquid to cool completely before handling.
- Always disconnect the propane tank from cooker when not in use - a safety plug should be placed in the propane tank valve.

PROPER CARE & MAINTENANCE

- Before storing cooker, cover air shutter, top of burner assembly and POL fitting with plastic and secure with rubber bands to prevent insects from nesting.
- Cover and store cooker in a protected area away from children and pets.
- Never store propane tank in an enclosed area (house, garage, etc.). Store outdoors in a well ventilated, shaded area away from any heat source or open flame.
- Due to the intense heat from burner, it is normal for paint burn off and discoloration to occur on cooker during the first few uses.
- To protect your stove from excessive rust, the unit must be kept clean and covered at all times when not in use. We strongly suggest storing the stove indoors in a shed, garage or storage room. Disconnect the LP tank and leave the LP tank outdoors.
- Wash cooking grill with hot, soapy water, rinse well and dry. Lightly coat cooking grill with vegetable oil or vegetable oil spray.
- Clean inside and outside of stove by wiping off with a damp cloth. Apply a light coat of vegetable oil or vegetable oil spray to the interior surface to prevent rusting.
- If rust appears on the exterior surface of your stove, clean and buff the affected area with steel wool or fine grit emery cloth. Touch-up with a good quality high-temperature resistant paint.

©2001 The Brinkmann Corporation
Dallas, Texas 75244 U.S.A

www.brinkmanncorp.com

ONE YEAR LIMITED WARRANTY

For one year from date of purchase, The Brinkmann Corporation warrants the Outdoor Gas Cooker against defects due to workmanship or materials to the original purchaser. The Brinkmann Corporation's obligations under this warranty are limited to the following guidelines:

- This warranty does not cover cookers that have been altered or damaged due to: normal wear, abuse, improper maintenance, improper use, disassembly of parts and/or attempted repair by anyone other than an authorized employee of The Brinkmann Corporation.
- This warranty does not cover surface scratching or heat damage to the finish, which is considered normal wear.
- The Brinkmann Corporation may elect to repair or replace damaged units covered by the terms of this warranty.
- This warranty extends to the original purchaser only and is not transferable or assignable to subsequent purchasers.

The Brinkmann Corporation requires reasonable proof of purchase. Therefore, we strongly recommend that you retain your sales receipt or invoice. To obtain replacement parts for your Outdoor Gas Cooker under the terms of this warranty, please call Customer Service Department at 1-800-527-0717. **A receipt will be required. The Brinkmann Corporation will not be responsible for any cookers forwarded to us without prior authorization.** The Outdoor Gas Cooker must be returned to the original place of purchase for replacement of the unit.

EXCEPT AS ABOVE STATED, THE BRINKMANN CORPORATION MAKES NO OTHER EXPRESS WARRANTY.

THE IMPLIED WARRANTIES OF MERCHANTABILITY AND FITNESS FOR A PARTICULAR PURPOSE ARE LIMITED IN DURATION TO ONE YEAR FROM THE DATE OF PURCHASE. SOME STATES DO NOT ALLOW LIMITATIONS ON HOW LONG AN IMPLIED WARRANTY LASTS, SO THE ABOVE LIMITATION MAY NOT APPLY TO YOU.

ANY LIABILITY FOR INDIRECT, INCIDENTAL OR CONSEQUENTIAL DAMAGES ARISING FROM THE FAILURE OF THE OUTDOOR GAS COOKER TO COMPLY WITH THIS WARRANTY OR ANY IMPLIED WARRANTY IS EXCLUDED. CUSTOMER ACKNOWLEDGES THAT THE PURCHASE PRICE CHARGED IS BASED UPON THE LIMITATIONS CONTAINED IN THE WARRANTY SET OUT ABOVE. SOME STATES DO NOT ALLOW THE EXCLUSION OR LIMITATION OF INCIDENTAL OR CONSEQUENTIAL DAMAGES, SO THE ABOVE LIMITATION OR EXCLUSION MAY NOT APPLY TO YOU. THIS WARRANTY GIVES YOU SPECIFIC LEGAL RIGHTS, AND YOU MAY ALSO HAVE OTHER RIGHTS WHICH VARY FROM STATE TO STATE.

Free Manuals Download Website

<http://myh66.com>

<http://usermanuals.us>

<http://www.somanuals.com>

<http://www.4manuals.cc>

<http://www.manual-lib.com>

<http://www.404manual.com>

<http://www.luxmanual.com>

<http://aubethermostatmanual.com>

Golf course search by state

<http://golfingnear.com>

Email search by domain

<http://emailbydomain.com>

Auto manuals search

<http://auto.somanuals.com>

TV manuals search

<http://tv.somanuals.com>