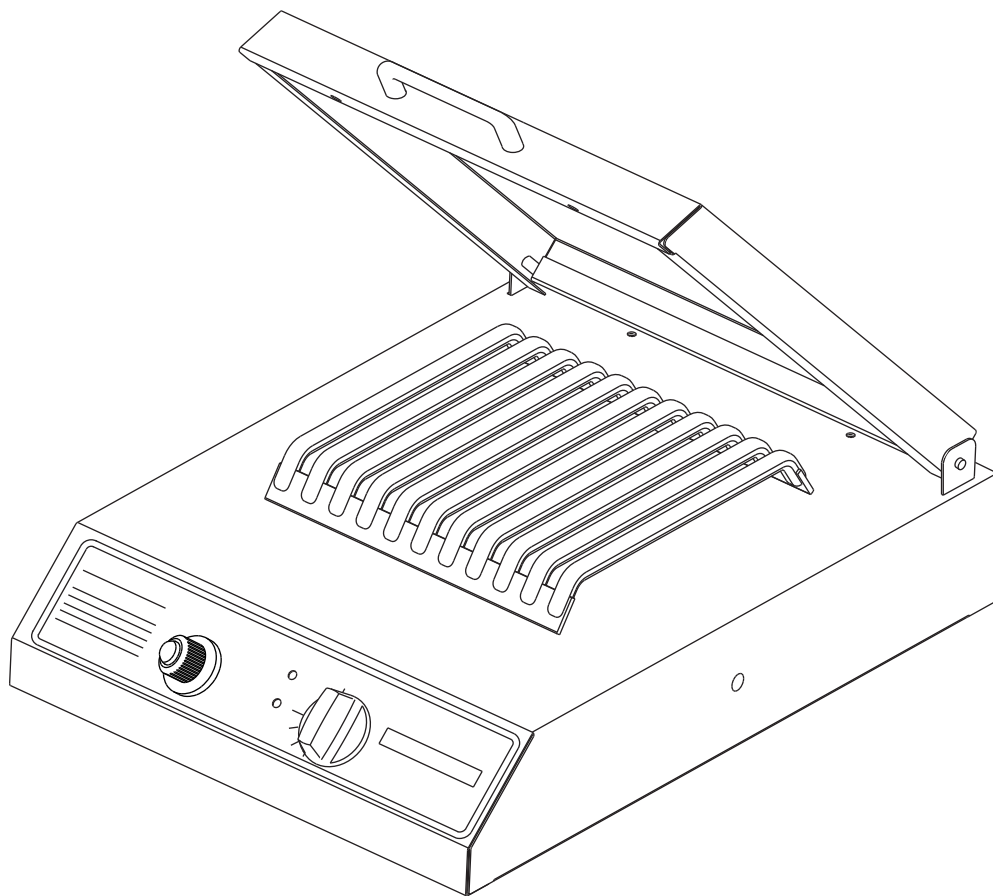




BROILMASTER[®] **PREMIUM GAS GRILLS**

SIDE BURNER OWNER'S MANUAL

MODEL DPSBSS
(NATURAL OR PROPANE)



FOR USE WITH BROILMASTER[®] PREMIUM GAS GRILLS

RETAIN OWNER'S MANUAL FOR FUTURE REFERENCE.
B100027-0-0202

THIS GAS APPLIANCE IS DESIGNED FOR OUTDOOR USE ONLY

IMPORTANT

THIS MANUAL SHOULD BE READ THOROUGHLY BY THE PERSON INSTALLING THE SIDE BURNER AND ALL PERSONS WHO WILL USE AND MAINTAIN THE SIDE BURNER. THE INSTALLER SHOULD BE SURE THE MANUAL IS LEFT IN THE POSSESSION OF THE USER. THE USER SHOULD RETAIN THIS MANUAL FOR FUTURE REFERENCE WHEN USING OR CLEANING THE SIDE BURNER AND TO PROPERLY IDENTIFY ANY REPAIR PARTS THAT MAY BE REQUIRED.

WARNING

REFERENCE THIS MANUAL FOR PROPER INSTALLATION AND MAINTENANCE INSTRUCTIONS. IMPROPER INSTALLATION, ADJUSTMENT, ALTERATION, SERVICE OR MAINTENANCE CAN CAUSE PERSONAL INJURY OR PROPERTY DAMAGE. FOR ASSISTANCE OR ADDITIONAL INFORMATION CONSULT A QUALIFIED INSTALLER, SERVICE AGENCY OR THE GAS SUPPLIER.

CAUTION: FOR YOUR SAFETY

IF YOU SMELL GAS:

1. SHUT OFF GAS TO THE APPLIANCE.
2. EXTINGUISH ANY OPEN FLAME.
3. OPEN THE GRILL LID.
4. IF ODOR CONTINUES, IMMEDIATELY CALL YOUR GAS SUPPLIER OR FIRE DEPARTMENT.
5. DO NOT TOUCH ELECTRICAL SWITCHES.

CAUTION: FOR YOUR SAFETY

1. DO NOT STORE OR USE GASOLINE OR OTHER FLAMMABLE VAPORS AND LIQUIDS IN THE VICINITY OF THIS OR ANY OTHER APPLIANCE.
2. AN LP CYLINDER NOT CONNECTED FOR USE SHALL NOT BE STORED IN THE VICINITY OF THIS OR ANY OTHER APPLIANCE.

CAUTION:

PARTS MAY HAVE SHARP EDGES. WEAR LEATHER WORK GLOVES AND HANDLE PARTS CAREFULLY DURING THE UNPACKING, ASSEMBLY AND THE INSTALLATION.

WARNING

BROILMASTER SIDE BURNERS EQUIPPED FOR PROPANE GAS MUST ONLY USE PROPANE CYLINDERS EQUIPPED WITH AN OVERFILL PROTECTION DEVICE (OPD). USE ONLY A REPUTABLE PROPANE DEALER WHEN EXCHANGING OR FILLING CYLINDERS. AN OVERFILLED OR IMPROPERLY FILLED PROPANE CYLINDER CAN BE DANGEROUS.

TABLE OF CONTENTS

CONGRATULATIONS!

You have chosen the finest side burner for your outdoor cooking pleasure. Please take time to read this entire manual before assembling your premium Broilmaster® gas side burner.

Parts Diagram	4
Parts List	5
Side Burner Assembly	6-7
Propane Gas Connection	8-10
Natural Gas Connection	11-12
Operation and Maintenance	13
Gas Leaks	13
Operation	13
Notes	14-15

Your Broilmaster® Side Burner is identified by model number, serial number, and gas type. This information is provided on a product identification label located on the Side Burner. The grill's model number, serial number, and gas type must also be provided when contacting your Broilmaster® dealer. For your convenience, complete this section for future reference when contacting your dealer.

Grill Information

Model No. _____ Dealer _____

Serial No. _____ Dealer Phone No. _____

Gas Type: Propane _____ Natural _____ Date of Purchase _____

Side Burner Information

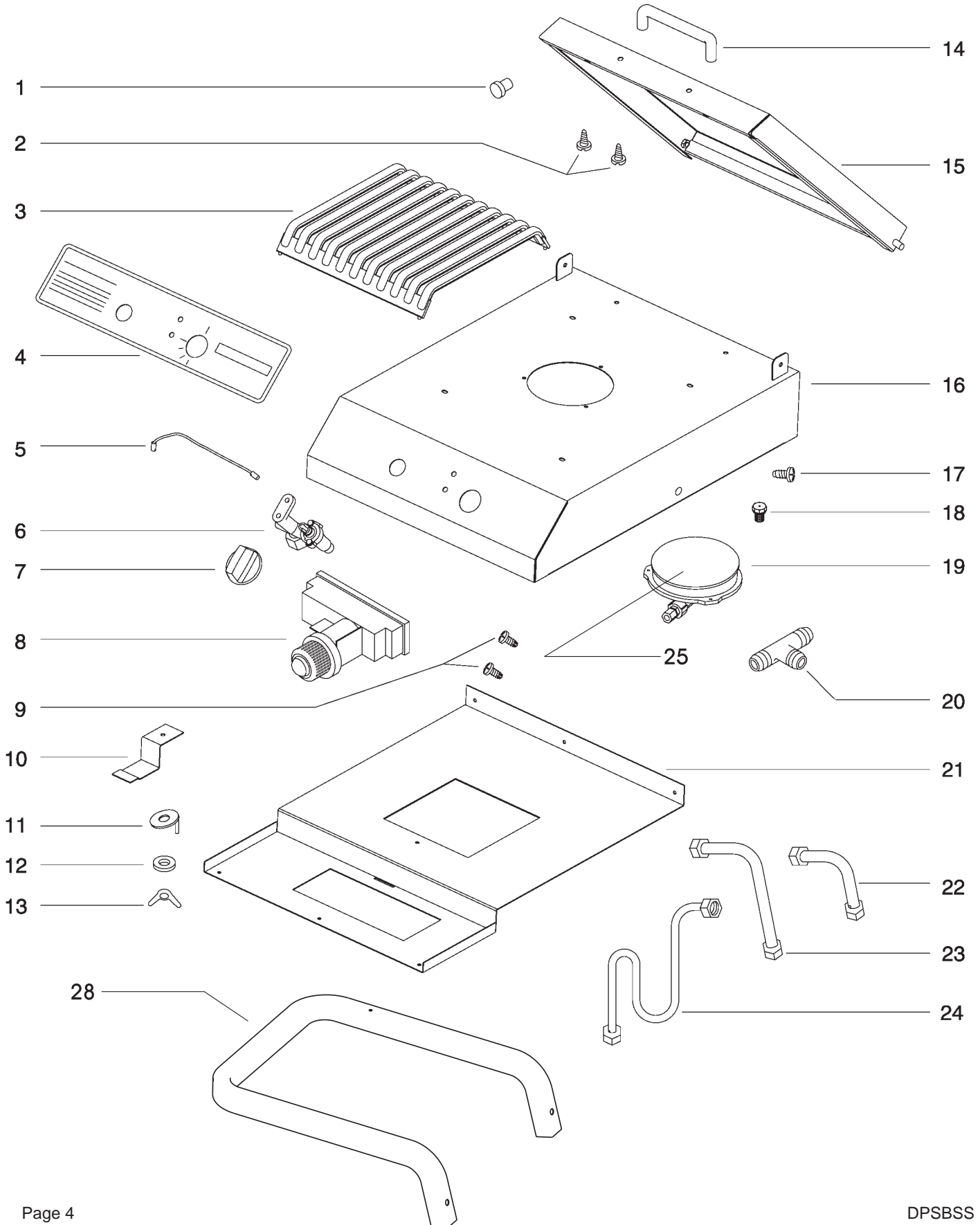
Model No. **DPSBSS** _____ Dealer _____

Serial No. _____ Dealer Phone No. _____

Gas Type: Propane _____ Natural _____ Date of Purchase _____

PARTS DIAGRAM

SIDE BURNER EXPLODED VIEW



PARTS LIST

All repair part orders should be placed through your local Broilmaster® dealer. To locate a dealer in your area, contact Broilmaster Customer Service at 800-851-3153 • www.broilmaster.com. To ensure prompt and accurate service, please provide the following information when placing a repair part order: Model number of your Side Burner, Part Name, Part Number, and Quantity of parts needed.

Key No.	Part Name	Qty.	Part Number
1	Bumper	2	B100103
2	10 X 3/8 Screw	2	B053779
3	Cooking Grid	1	B070100
4	Control Panel Label	1	B072698
5	Ignitor Ground Wire	2	B072684
6	Valve	1	B070483
7	Valve Knob	1	B070084
8	Electronic Ignitor	1	B072218
9	10-24 X 3/8 Screw	2	B100130
10	Tie-Down Bracket	1	B070081
11	Ignitor Ground Lug	1	B069747
12	9/32 Flat Washer	1	B100136
13	10-24 Wing Nut	1	B100125
14	Handle	1	B059229
15	Side Burner Lid	1	B076984
16	Side Burner Body	1	B076985
17	1/4-20 X 3/4 Phillips Truss Screw	1	B072217
18	Orifice (LP) No. 89	1	B100226
18	Orifice (NAT) No. 173	1	B073270
19	Burner Complete (Includes 18, 25, 26, 27)	1	B100278
20	Tee Fitting	1	B070323
21	Mounting Plate	1	B070142
22	Side Burner S/S Flex Line 10"	1	B070487
23	Side Burner S/S Flex Line 34"	1	B070289
24	Manifold Tube	1	B070108
25	Burner Cap	1	B070584
26	Ring (LP Only) (Not SHown)	1	B073953
27	Burner (Not Shown)	1	B100227
28	Handle Shelf Bracket	1	B073100

SIDE BURNER ASSEMBLY

Instructions

All Broilmaster® side burners require some assembly and installation. Certain instructions may not apply to your model of side burner. This side burner requires the same gas type (natural or liquid propane) as your Broilmaster® gas grill. Your side burner is factory equipped for LP gas. Natural gas conversion instructions are located in the Natural Gas section of this manual.

Please locate and follow in listed order only the instructions for assembly and installation of the correct gas type. Skip any sections that do not pertain to the side burner model you have purchased.

PreAssembly

Every assembly and installation instruction includes detailed illustrations to aid in assembly.

Compare the materials found in the shipping container to the parts list provided. Every effort has been made to ensure the correct parts have been provided. In the event of an error, please contact your local Broilmaster® dealer regarding the replacement of missing parts.

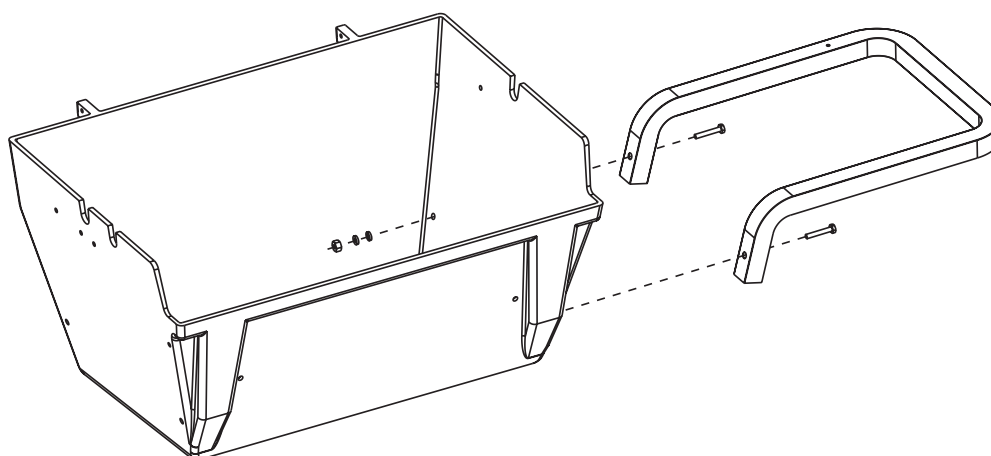
The following items are needed for the assembly of your side burner:

- Phillips screwdriver
- Two adjustable wrenches
- Soapy water solution (to test for leaks)

Grill Pull Handle

Attach the pull handle to the right side of the grill as illustrated in Figure 1. Place two bolts into holes in pull handle and through holes on right sides of grill bottom. Fasten each bolt with a washer, lock washer and nut.

FIGURE 1

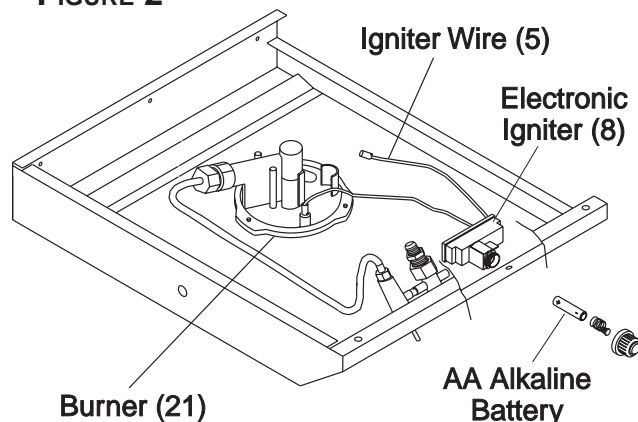


Igniter Assembly

Attach one end of the igniter wire (5) to the open terminal on the back of the electronic igniter.

Install AA Alkaline battery

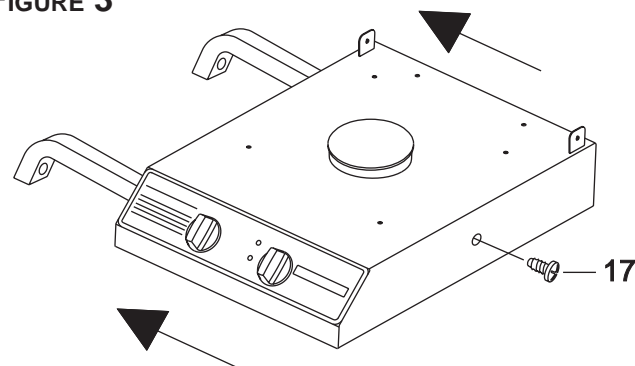
FIGURE 2



Positioning Side Burner

Slide side burner right side up onto right grill pull handle. Attach with one 1/4-20 x 3/4 screw (17). FIGURE 3.

FIGURE 3

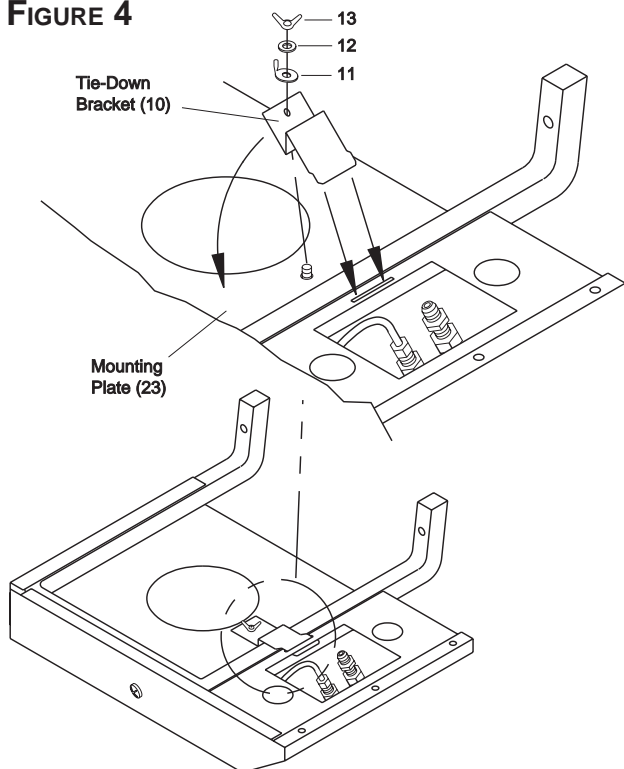


SIDE BURNER ASSEMBLY

Mounting Side Burner

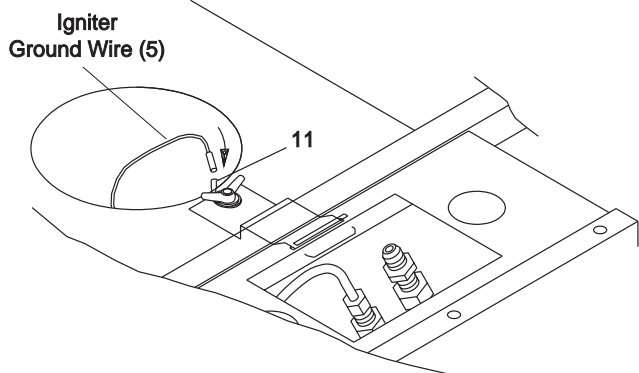
Insert the notched end of the tie-down bracket (10) into the slot on the mounting plate (21). Push the other end of the tie-down bracket onto the screw. Fasten with an igniter ground lug (11), a washer (12) and wing nut (13). FIGURE 4.

FIGURE 4



Attach the igniter ground wire (5) onto the igniter ground lug (11) terminal. FIGURE 5.

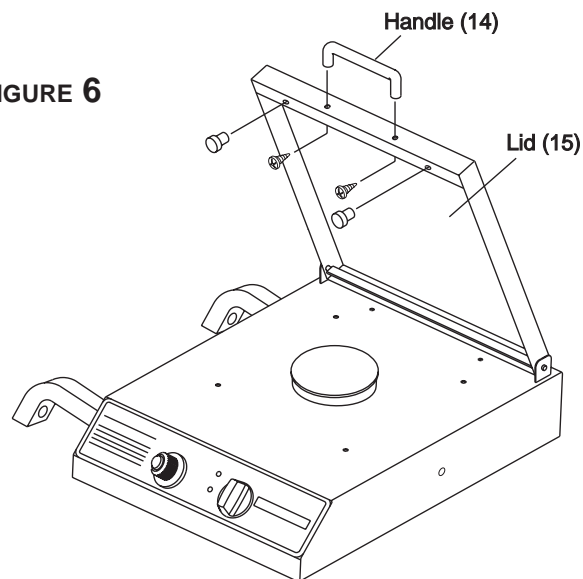
FIGURE 5



Lid Handle

Attach the lid handle (14) to the side burner lid (15) using two phillips head self-tapping screws (2). FIGURE 6.

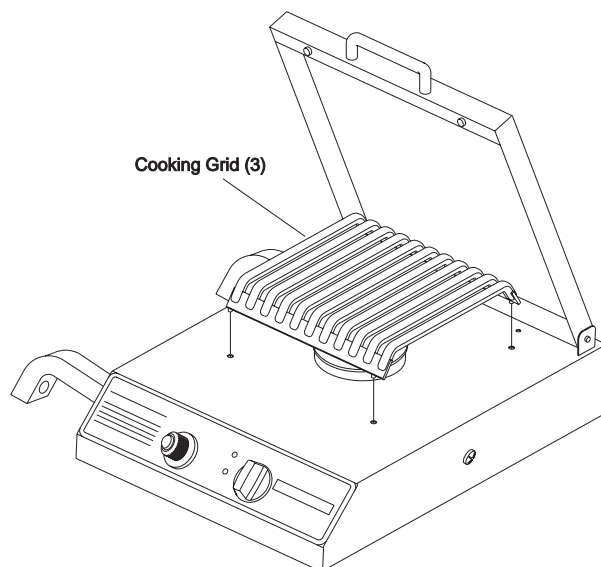
FIGURE 6



Cooking Grid

Position the cooking grid (3) over the burner as shown by FIGURE 7.

FIGURE 7



PROPANE GAS CONNECTION

Side Burner Location

Your grill and side burner have been designed for outdoor use ONLY.

This side burner mounts on the right side of a Broilmaster® gas grill and cannot be used with another grill or for any other purpose.

You should never install or operate your grill and side burner in any building, garage, or other enclosed area.

For your safety, the grill and side burner should not be installed or operated under any combustible materials, such as carports, covered porches, awnings, or overhangs.

Never install or use your grill and side burner in or on any recreational vehicle or boat.

CAUTION: THE INSTALLATION AND OPERATION OF THIS GRILL AND SIDE BURNER AT CLEARANCES LESS THAN SPECIFIED BELOW MAY CAUSE A FIRE, PROPERTY DAMAGE, OR PERSONAL INJURY.

A minimum clearance of sixteen (16") inches is required from all sides of the side burner to any combustible material. Refer to the grill's Owner's Manual for specific grill clearances.

Examples of combustible materials are patio furniture, fences, or the wall of your home.

The area surrounding the grill and side burner should be clear to ensure proper ventilation. Do not obstruct the flow of combustion and ventilation air in any way. The ventilation openings on the propane cylinder enclosure must also remain free and clear of debris.

Portable grills with side burners should be level and positioned away from direct wind prior to each use.

WARNING: DO NOT INSTALL OR OPERATE THIS GRILL AND SIDE BURNER WHERE GASOLINE OR OTHER FLAMMABLE MATERIALS ARE USED OR STORED. FAILURE TO COMPLY WITH THIS WARNING COULD RESULT IN EXPLOSION OR FIRE CAUSING PROPERTY DAMAGE OR PERSONAL INJURY.

Gas Type

Your Broilmaster® side burner is factory equipped for LP gas. Natural gas conversion instructions are located in the Natural Gas section of this manual. Never use liquid propane gas with a grill designed for natural gas, or natural gas with a grill designed for liquid propane gas. The type gas required for your grill can be determined from its product identification label. Questions regarding different types of gases should be directed to your gas supplier.

Cylinder Requirements

Your Broilmaster® Premium Gas Grill requires a standard twenty (20) pound propane gas cylinder.

The propane gas cylinder used must be:

1. constructed and marked in accordance with the specifications for LP gas cylinder of the U.S. Department of Transportation (D.O.T.) or the National Standard of Canada, CAN/CSA-B339, Cylinders, Spheres, and Tubes for Transportation of Dangerous Goods; and Commission as applicable.
2. provided with a listed overfilling protection device (OPD).
3. provided with a listed safety device having direct access with the vapor space of the cylinder and the cylinder supply system must be arranged for vapor removal.
4. provided with a shutoff valve terminating in a valve outlet as specified in the Standard for Compressed Gas Cylinder Outlet and Inlet Connections, ANSICGA-V-1.
5. provided with a plug to effectively seal off the cylinder outlet when the cylinder is being stored or transported.
6. provided with a collar to protect the cylinder valve.

CAUTION: DO NOT USE A PROPANE GAS CYLINDER WHICH HAS A CAPACITY GREATER THAN TWENTY (20) POUNDS WITH THIS GRILL AND SIDE BURNER.

PROPANE GAS CONNECTION

Propane Cylinder Safety

Liquid propane gas has a long history of safe use when the safety precautions provided in this manual are followed.

FAILURE TO FOLLOW THESE SAFETY PRECAUTIONS COULD RESULT IN A FIRE OR EXPLOSION CAUSING PROPERTY DAMAGE OR PERSONAL INJURY.

Propane gas cylinders should always be handled, stored, and transported with extreme caution in a secured upright position.

Never attempt to use or repair a propane gas cylinder that has been damaged. Never attempt to use or repair a cylinder with a faulty or damaged valve outlet. A cylinder that has been dropped, dented, or otherwise damaged must be replaced.

A propane gas cylinder should never be transported in the passenger area of a vehicle.

Keep cylinders out of direct sunlight and never apply any other source of direct heat to them.

When refilling your cylinder, always insist on a reputable, qualified gas dealer. Your propane gas cylinder is filled by weight, and should never exceed eighty (80%) percent of its weight limit. If the cylinder is not completely empty, the gas dealer must make necessary adjustments to ensure it is not overfilled. Never use an overfilled Propane gas cylinder.

Cylinder Storage

Your grill must be stored outdoors in a well ventilated area if the cylinder is attached to it.

Disconnected cylinders must have a threaded valve plug tightly installed and must not be stored in any building, garage, or other area.

Flammable materials (gasoline, grill covers, etc.) must not be stored in the cylinder enclosure.

Always store propane cylinders in a secured upright position, out of the reach of children.

Connection Requirements

CAUTION: NEVER USE LIQUID PROPANE GAS IN A GRILL DESIGNED FOR NATURAL GAS, OR NATURAL GAS IN A GRILL DESIGNED FOR LIQUID PROPANE GAS. QUESTIONS REGARDING DIFFERENT TYPES OF GASES SHOULD BE DIRECTED TO YOUR LOCAL GAS COMPANY.

Installation must conform to local codes or, in the absence of local codes, with the National Fuel Gas Code, ANSI Z223.1. In Canada, installation shall be in accordance with CAN/CGA-B149.2 Propane Installation Code, or CAN/CGA-B149.1 Natural Gas Installation Code, and local codes where applicable. Consult your local gas company or Propane gas dealer for code regulations and recommended procedures.

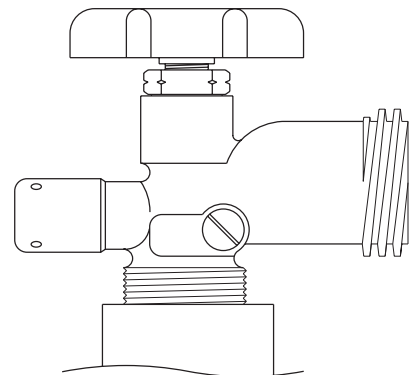
WARNING: BROILMASTER® GAS GRILLS AND SIDE BURNERS REQUIRE LIQUID PROPANE CYLINDERS EQUIPPED WITH AN OVERFILL PROTECTION DEVICE (OPD). AN OVERFILLED OR IMPROPERLY FILLED PROPANE CYLINDER CAN BE DANGEROUS.

Always use the pressure regulator and hose assembly supplied with your propane gas grill.

Note: Not all valve and cylinder combinations are compatible. Check warning tag on valve and cylinder as well as external fitting threads.

All Broilmaster® pressure regulators and hose assemblies require propane cylinders with a Type 1 connection device as illustrated by Figure 8.

FIGURE 8



PROPANE GAS CONNECTION

Pressure Regulator and Hose Assembly

The pressure regulator has an outlet pressure of not more than eleven (11") inches water column. It must be connected to the propane gas cylinder's female valve outlet before the grill and side burner can be operated.

CAUTION: OPERATION OF A PROPANE GAS GRILL AND SIDE BURNER WITHOUT THE PRESSURE REGULATOR AND HOSE ASSEMBLY WILL CAUSE GAS LEAKS WHICH COULD LEAD TO FIRE OR EXPLOSION, RESULTING IN PROPERTY DAMAGE OR PERSONAL INJURY.

The pressure regulator's fitting must remain clean and free of nicks and scratches. A dirty, nicked or scratched fitting can cause a gas leak, resulting in an explosion or fire. Use only genuine Broilmaster® replacement parts unless otherwise specified by the manufacturer.

Installing "Tee" Connector

If your grill is equipped with a factory installed gas "tee" behind the grill's control panel, please skip to the next section.

Turn OFF the gas valve at the propane cylinder. Disconnect the regulator and hose assembly from the cylinder. Disconnect hose from the gas valve located under the grill's control panel. FIGURE 9.

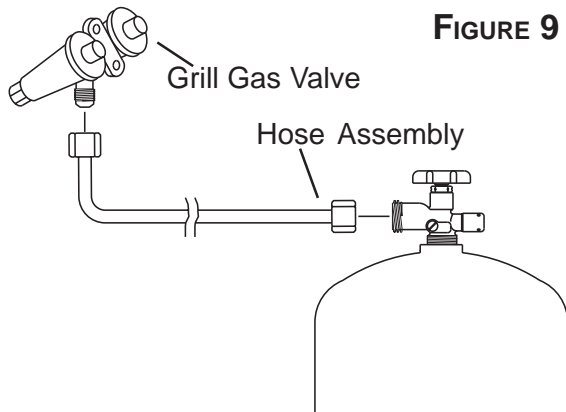


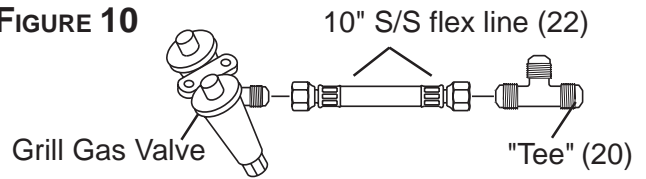
FIGURE 9

Installing "Tee" Connector (Continued)

Attach one end of the 10" S/S flex line (22) to the end of the grill's gas valve. Attach the other end of the S/S flex line to the brass "tee" (20). FIGURE 10.

NOTE: GRILLS MANUFACTURED PRIOR TO 1999 MAY REQUIRE THE ALTERNATE "TEE" CONNECTOR.

FIGURE 10



Connecting to Propane Gas

Attach one end of the 34" S/S flex line (23) to the end of the side burner valve (6). Attach the remaining end of the hose to the "tee" (20) and use two wrenches to tighten the S/S flex line connections. One wrench should be used to turn the S/S flex line connector while the "tee" or valve is held with the second wrench. FIGURE 11.

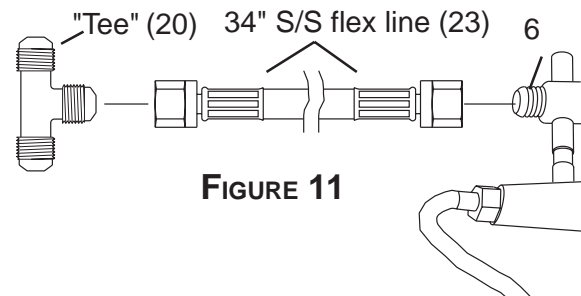
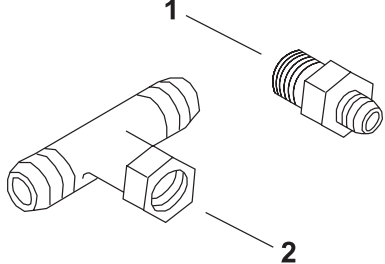


FIGURE 11

For old Broilmaster grill, this alternate tee fitting kit must be ordered.



B100156 ALTERNATE TEE FITTING KIT

KEY	PART NAME	PART NO.
1	FLARED TUBE CONNECTOR	B100100
2	ALTERNATE TEE FITTING	B070519

Attach the regulator and hose assembly to the brass "tee" (20). Reconnect the assembly to the cylinder. Use two adjustable wrenches to hold and tighten the joint between the hose and "tee". FIGURE 12.

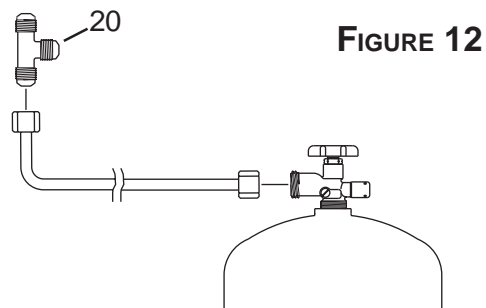


FIGURE 12

NATURAL GAS CONNECTION

Side Burner Location

Your grill and side burner have been designed for outdoor use ONLY.

This side burner mounts on the right side of a Broilmaster® gas grill and cannot be used with another grill or for any other purpose.

You should never install or operate your grill and side burner in any building, garage, or other enclosed area.

For your safety, the grill and side burner should not be installed or operated under any combustible materials, such as carports, covered porches, awnings, or overhangs.

Never install or use your grill and side burner in or on any recreational vehicle or boat.

CAUTION: THE INSTALLATION AND OPERATION OF THIS GRILL AND SIDE BURNER AT CLEARANCES LESS THAN SPECIFIED BELOW MAY CAUSE A FIRE, PROPERTY DAMAGE, OR PERSONAL INJURY.

A minimum clearance of sixteen (16") inches is required from all sides of the side burner to any combustible material. Refer to the grill's Owner's Manual for specific grill clearances.

Examples of combustible materials are patio furniture, fences, or the wall of your home.

The area surrounding the grill and side burner should be clear to ensure proper ventilation. Do not obstruct the flow of combustion and ventilation air in any way. The ventilation openings on the propane cylinder enclosure must also remain free and clear of debris.

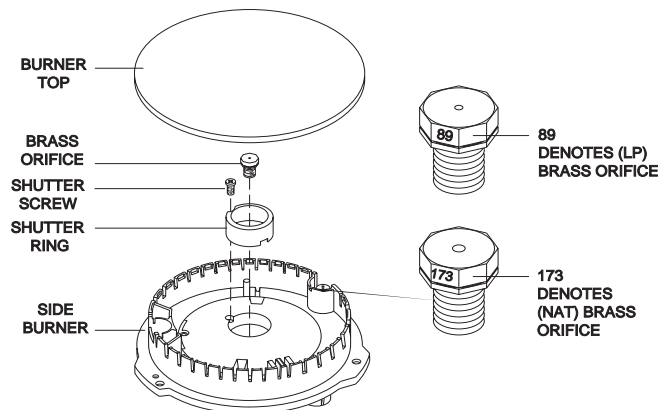
Portable grills with side burners should be level and positioned away from direct wind prior to each use.

WARNING: Do NOT INSTALL OR OPERATE THIS GRILL AND SIDE BURNER WHERE GASOLINE OR OTHER FLAMMABLE MATERIALS ARE USED OR STORED. FAILURE TO COMPLY WITH THIS WARNING COULD RESULT IN EXPLOSION OR FIRE CAUSING PROPERTY DAMAGE OR PERSONAL INJURY.

Gas Type

Your Broilmaster® side burner is factory equipped for LP gas and must be converted for use with Natural gas grills. Never use liquid propane gas with a grill designed for natural gas, or natural gas with a grill designed for liquid propane gas. The type gas required for your grill can be determined from its product identification label. Questions regarding different types of gases should be directed to your gas company.

CAUTION: NEVER USE LIQUID PROPANE GAS IN A GRILL DESIGNED FOR NATURAL GAS, OR NATURAL GAS IN A GRILL DESIGNED FOR LIQUID PROPANE GAS. QUESTIONS REGARDING DIFFERENT TYPES OF GASES SHOULD BE DIRECTED TO YOUR LOCAL GAS COMPANY.



1. Remove shutter screw. *Important: Do not discard this screw; it will be reinstalled.*
2. Remove shutter ring. The shutter ring is not used for Natural gas, but retain for future use if LP conversion is desired.
3. Use a 7 mm nut driver or socket wrench to remove the LP orifice and replace it with the Natural gas orifice supplied.
4. Replace the shutter screw.
5. Turn set screw in center of valve stem 1/2 turn counterclockwise.
6. Apply soapy solution to test for leaks around the set screw. If a leak is found, turn screw clockwise until bubbles cease.

IMPORTANT: PLACE CONVERSION LABEL INSIDE LID ADJACENT TO SERIAL NUMBER LABEL.

NATURAL GAS CONNECTION

Connection Requirements

Installation must conform to local codes or, in the absence of local codes, with the National Fuel Gas Code, ANSI Z223.1. In Canada, installation shall be in accordance with CAN/CGA-B149.2 Propane Installation Code, or CAN/CGA-B149.1 Natural Gas Installation Code, and local codes where applicable. Contact your local gas company for code regulations, recommended procedures, and the installation of your grill's gas supply line.

Broilmaster® gas grills and side burners are not equipped with pressure regulators. Your gas grill operates at a manifold pressure of seven (7") inches water column.

Connect cart mounted natural gas grills to a pre-installed gas supply line using the twelve (12') foot flexible hose and quick disconnect kit supplied or specified by the manufacturer.

CAUTION: THE GRILL AND ITS INDIVIDUAL SHUTOFF VALVE MUST BE DISCONNECTED FROM THE GAS SUPPLY PIPING SYSTEM DURING ANY SYSTEM PRESSURE TESTING AT TEST PRESSURES IN EXCESS OF 1/2 PSIG.

CAUTION: THE GRILL MUST BE ISOLATED FROM THE GAS SUPPLY PIPING SYSTEM BY CLOSING ITS INDIVIDUAL MANUAL SHUTOFF VALVE DURING ANY PRESSURE TESTING OF THE GAS SUPPLY PIPING SYSTEM AT TEST PRESSURES EQUAL TO OR LESS THAN 1/2 PSIG.

Connection Instructions

The grill's natural gas supply line valve installed by your gas company must be turned to OFF.

IMPORTANT: THE GAS SUPPLY LINE MUST HAVE A SHUTOFF VALVE INSIDE THE WALL. CONTACT YOUR LOCAL GAS COMPANY FOR DIRECTIONS.

Disconnect the copper gas supply line from the gas valve located under the grill's control panel. FIGURE 13.

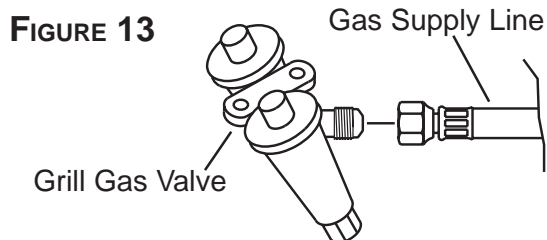
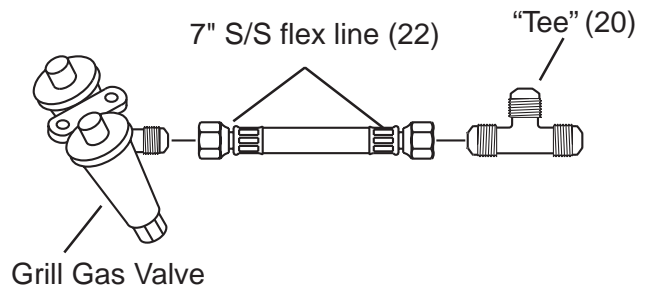


FIGURE 13

Attach one end of the 10" S/S flex line (22) to the end of the grill's gas valve.

Attach the other end of the S/S flex line to the brass "tee" (20). FIGURE 14.

FIGURE 14



Attach one end of the 34" S/S flex line (23) to the end of the side burner valve (6).

Attach the remaining end of the S/S flex line to the end of the "tee" (20) connector. FIGURE 15.

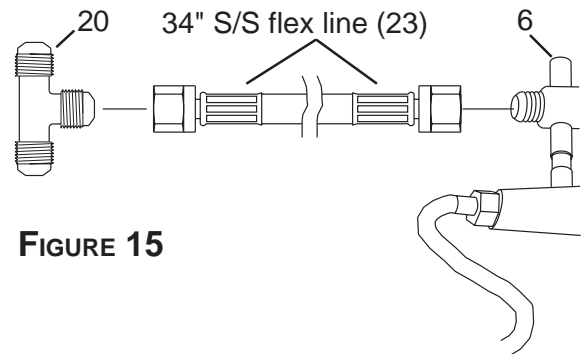
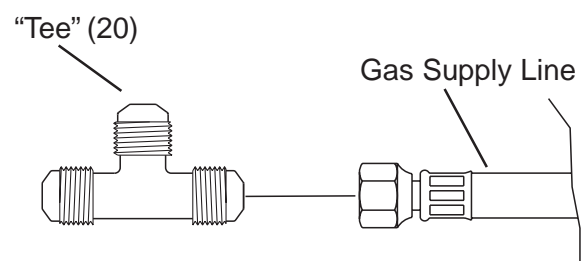


FIGURE 15

Attach the copper gas supply line to the brass "tee" (20). Use two adjustable wrenches to tighten the joint. FIGURE 16.

FIGURE 16



OPERATION AND MAINTENANCE

Checking for Gas Leaks

Check for gas leaks each time you connect your Broilmaster® gas grill and side burner to a propane gas cylinder, when a connected cylinder has not been used recently, or when the grill and side burner are initially used.

CAUTION: DO NOT USE AN OPEN FLAME TO CHECK FOR LEAKS. CHECKING FOR LEAKS WITH AN OPEN FLAME MAY LEAD TO A FIRE OR EXPLOSION, RESULTING IN PROPERTY DAMAGE OR PERSONAL INJURY.

To check for gas leaks:

1. Using dish washing detergent and water, make a soapy solution.
2. Turn OFF the knob on both the grill and side burner's control panel.
3. Turn ON the gas at the supply. *A hissing sound indicates a leak.* Turn OFF the gas and repair all leaks.
4. If no hissing occurs, apply the soapy solution to all gas connections.
5. Look for bubbles. *Bubbles indicate a leak.*
6. If there are bubbles, turn OFF the gas and repair all leaks.
7. Turn the gas ON and repeat the above procedure until all leaks are repaired.

Operating Instructions

Using the Igniter

1. Open the side burner lid.
2. Push and turn the burner control knob counterclockwise to MAX.
3. Push and hold igniter button until burner lights. (Approximately 5 seconds).

Using Matches

1. Open the side burner lid.
2. Light and place a long wooden match next to the burner ports under the cooking grid.
3. Push and turn the burner control knob counterclockwise to MAX.

Operating Instructions

CAUTION: IF A BURNER FAILS TO LIGHT AFTER 5 SECONDS, TURN THE BURNER OFF FOR 5 MINUTES, TO ALLOW THE GAS TO CLEAR, THEN TRY AGAIN.

WARNING: NEVER OPERATE THE SIDE BURNER WITH THE LID CLOSED.

Care and Cleaning

CAUTION: TO PREVENT INJURY DO NOT CLEAN SIDE BURNER WHILE HOT.

For baked on residue use a brass (NOT STEEL) brush on the cooking grid.

Clean the exterior regularly with a solution of mild detergent and hot water.

Stainless steel surfaces can be easily cleaned with a stainless steel cleaner found at your

Low Flame Adjustment

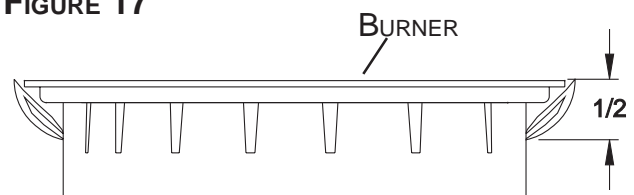
The low flame setting is set at the factory. To adjust the flame height at the lowest setting:

- A. Light the side burner
- B. Turn the valve knob to MIN.
- C. Remove the knob and locate the screw in the center of the valve stem.
- D. Use a small screwdriver to adjust the flame:
Clockwise - Lower Flame
Counterclockwise - Higher Flame

Do not unseat the adjustment screw. If the screw is unseated a gas leak will occur at the valve stem.

NOTE: IF THE FLAME IS ADJUSTED TOO LOW, A STRONG WIND COULD BLOW IT OUT. THE FLAME MAXIMUM HEIGHT (A) SHOULD BE APPROXIMATELY 1/2 INCH AT THE MINIMUM SETTING. FIGURE 17.

FIGURE 17



NOTES

NOTES

BROILMASTER®

A Division of Empire Comfort Systems, Inc.
918 Freeburg Ave.
Belleville, Illinois 62220
Phone: 800-255-0403

RETAIN OWNER'S MANUAL FOR FUTURE REFERENCE.
FORM B100027-2-0202

Free Manuals Download Website

<http://myh66.com>

<http://usermanuals.us>

<http://www.somanuals.com>

<http://www.4manuals.cc>

<http://www.manual-lib.com>

<http://www.404manual.com>

<http://www.luxmanual.com>

<http://aubethermostatmanual.com>

Golf course search by state

<http://golfingnear.com>

Email search by domain

<http://emailbydomain.com>

Auto manuals search

<http://auto.somanuals.com>

TV manuals search

<http://tv.somanuals.com>