



BROILMASTER®
PREMIUM GAS GRILLS

SHELF KIT OWNER'S MANUAL

FKSS, FKTAU, FKCHAR, FKWOOD
SKSS, SKTAU, SKCHAR, SKWOOD, SKPH



FOR USE WITH **BROILMASTER® PREMIUM GAS GRILLS**

RETAIN OWNER'S MANUAL FOR FUTURE REFERENCE.
B100004-0-0102

IMPORTANT INFORMATION

CONGRATULATIONS!

You have chosen the finest accessory for your outdoor cooking pleasure. Please take time to read this entire manual before installing your premium Broilmaster® Shelf Kit.

Parts Diagram	3
Parts List	4
Side Shelf Installation	5
Parts List	6
Front Shelf Installation	7
Pull Handle	8

IMPORTANT: THIS MANUAL SHOULD BE READ THOROUGHLY BY THE PERSON INSTALLING THE SHELF KIT AND ALL PERSONS WHO WILL USE AND MAINTAIN THE SHELF KIT. THE INSTALLER SHOULD BE SURE THE MANUAL IS LEFT IN THE POSSESSION OF THE USER. THE USER SHOULD RETAIN THIS MANUAL FOR FUTURE REFERENCE WHEN USING OR CLEANING THE SHELF KIT AND TO PROPERLY IDENTIFY ANY REPAIR PARTS THAT MAY BE REQUIRED.

Before You Begin

This manual includes an illustration for each of the five shelf kits available for your grill. Locate the illustration that depicts the shelf kit you have and then carefully follow all instructions pertaining to your kit.

Each step of the installation is illustrated. In each illustration parts are identified with “Key” numbers. Key numbers appear in parenthesis after a part name is mentioned for the first time in the instructions and are labeled on the illustrations. You can reference each part by its key number on the Parts List if you need help in identifying a part.

Compare the parts found in the shipping container to the parts list. If any parts are missing contact your Broilmaster® dealer before beginning assembly.

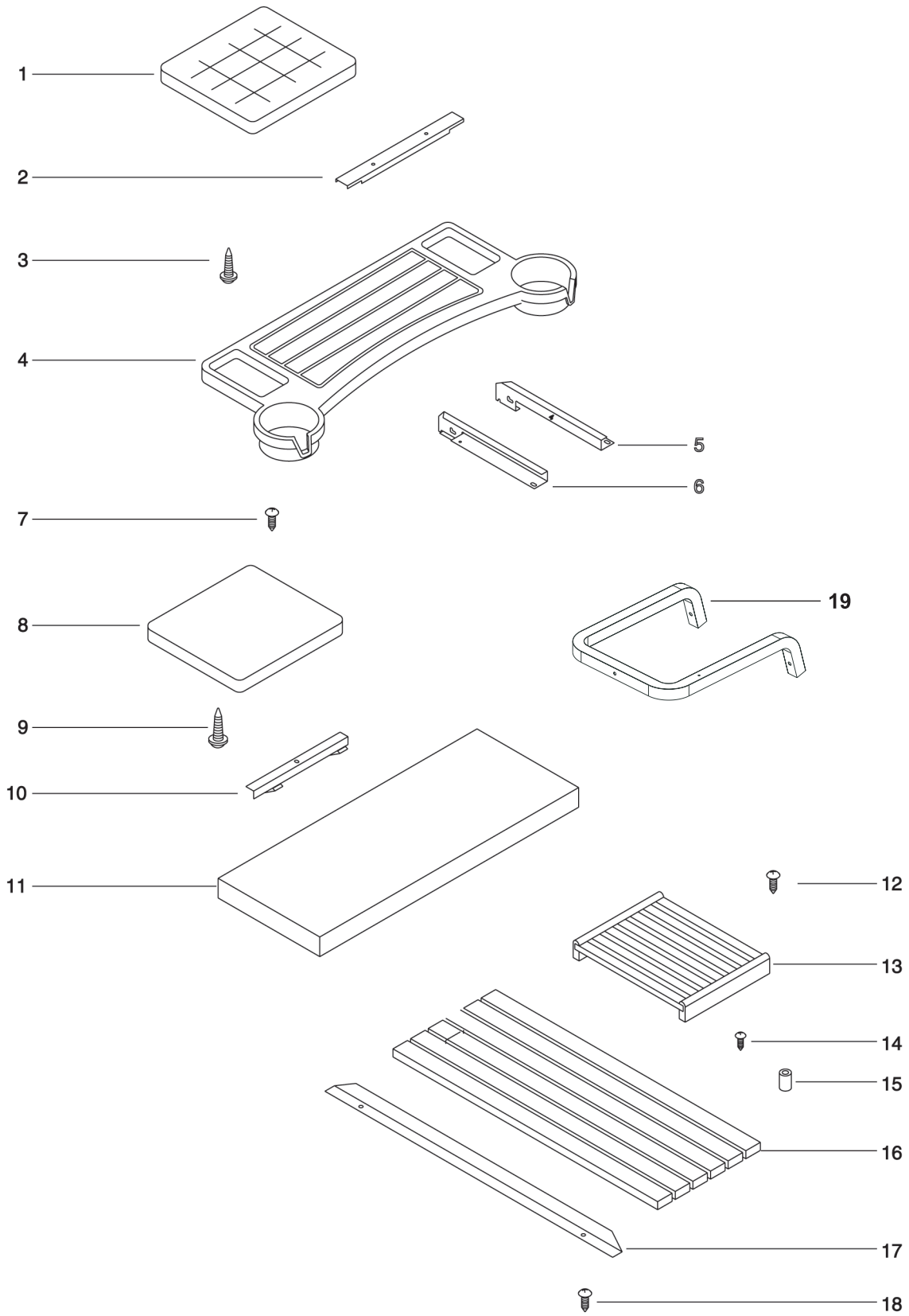
CAUTION: PARTS MAY HAVE SHARP EDGES. WEAR LEATHER WORK GLOVES AND HANDLE PARTS CAREFULLY DURING THE UNPACKING, ASSEMBLY AND THE INSTALLATION.

Tools Required

These tools are required for the assembly of your shelf kit:

- Phillips screwdriver
- Socket set or nut drivers

PARTS DIAGRAM



PARTS LIST — SIDE SHELF

All repair part orders should be placed through your local Broilmaster® dealer. To locate a dealer in your area, contact Broilmaster Customer Service at 800-851-3153 • www.broilmaster.com. To ensure prompt and accurate service, please provide the following information when placing a repair part order: Model Number of your grill, Part Name, Part Number, and Quantity of parts needed.

Key No.	Part Name	Qty.	SKCHAR Part No.	SKTAU Part No.
1	Side Shelf	1	B073262	B073264
2	Shelf Bracket	1	B072017	B072017
3	10-24 X 1 Phillips Truss Screw	2	B073978	B073978
19	Handle Shelf Bracket	1	B073100	B073100
20	Bolt 1/4-20 X 1 1/2 Stainless	2	B076330	B076330
21	9/32 I.D. X 5/8 O.D. Flat Washer	2	B076332	B076332
22	1-4 I.D. X 5/8 O.D Lock Washer	2	B076333	B076333
23	1/4-20 Hex Nut Stainless	2	B076331	B076331

Key No.	Part Name	Qty.	SKSS Part No.
8	Side Shelf	1	B076727
9	1/4-20 X 3/4 Phillips Truss Screw	1	B072217
10	Tool Hook	1	B073971
19	Handle Shelf Bracket	1	B073100
20	Bolt 1/4-20 X 1 1/2 Stainless	2	B076330
21	9/32 I.D. X 5/8 O.D. Flat Washer	2	B076332
22	1-4 I.D. X 5/8 O.D Lock Washer	2	B076333
23	1/4-20 Hex Nut Stainless	2	B076331

Key No.	Part Name	Qty.	SKWOOD Part No.
13	Side Shelf	1	B048424
14	#8 X 1/2 Phillips Screw	1	B100140
15	Spacer	1	B662325
19	Handle Shelf Bracket	1	B073100
20	Bolt 1/4-20 X 1 1/2 Stainless	2	B076330
21	9/32 I.D. X 5/8 O.D. Flat Washer	2	B076332
22	1-4 I.D. X 5/8 O.D Lock Washer	2	B076333
23	1/4-20 Hex Nut Stainless	2	B076331

SIDE SHELF INSTALLATION

Solid Surface Side Shelf

Place solid surface side shelf (1) onto the grill pull handle. Fasten shelf bracket (2) to the bottom of the side shelf with two #10-24 x 1" screws (3). FIGURE 1.

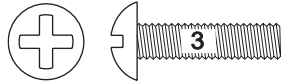
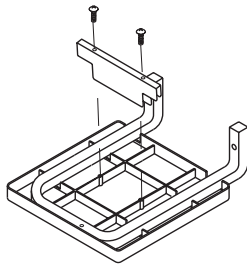
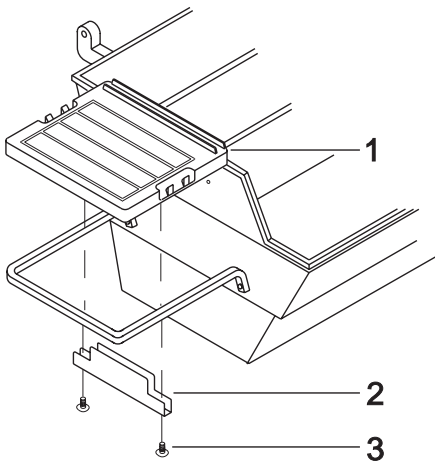


FIGURE 1



Bottom View

Stainless Steel Side Shelf

Slide the tool hook bar into the side shelf aligning the holes in the tool hook bar (10) and the side shelf. Slide each stainless steel side shelf (8) onto the grill pull handle. Secure with one 1/4-20 screw (9). FIGURE 2.

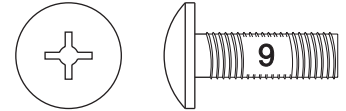
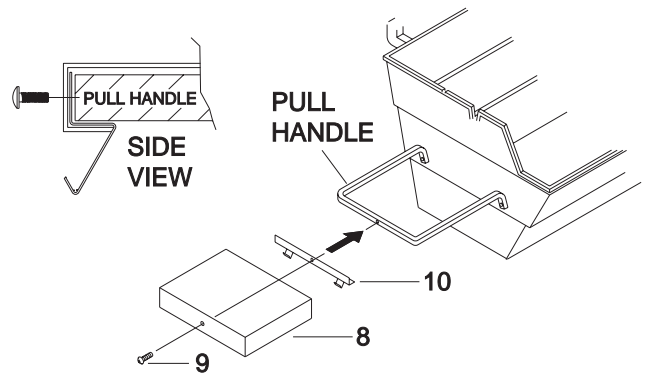


FIGURE 2



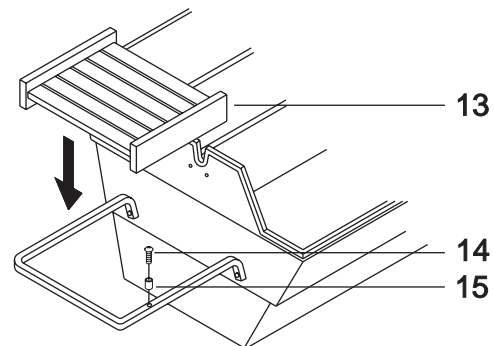
Wood Side Shelf

Insert screw (14) through spacer (15) and into hole on top of pull handle. Tighten.

Position wood side shelf (13) onto pull handle with spacer (15) inserted between two wooden shelf slats. FIGURE 3.



FIGURE 3



PARTS LIST — FRONT SHELF

All repair part orders should be placed through your local Broilmaster® dealer. To locate a dealer in your area, contact Broilmaster Customer Service at 800-851-3153 • www.broilmaster.com. To ensure prompt and accurate service, please provide the following information when placing a repair part order: Model Number of your grill, Part Name, Part Number, and Quantity of parts needed.

Key No.	Part Name	Qty.	FKCHAR Part No.	FKTAU Part No.
4	Front Shelf	1	B073261	B073263
5	Left Front Bracket	1	B100034	B100034
6	Right Front Bracket	1	B100035	B100035
7	10-24 X 3/8 Phillips Screw	4	B100130	B100130

Key No.	Part Name	Qty.	FKSS Part No.
11	Front Shelf	1	B076726
5	Left Front Bracket	1	B100034
6	Right Front Bracket	1	B100035
12	10-32 X 1/2 Screw	4	B071494

Key No.	Part Name	Qty.	FKWOOD Part No.
16	Front Shelf	1	B048423
17	Shelf Skirt	1	B063070
5	Left Front Bracket	1	B100034
6	Right Front Bracket	1	B100035
18	#8 X 1/2 Phillips Screw	6	B073979

FRONT SHELF INSTALLATION

Front Shelf

Install the brackets using three of the four mount screws provided as shown by the following figures. Note: The remaining screw is left out to allow the bracket to pivot during installation.

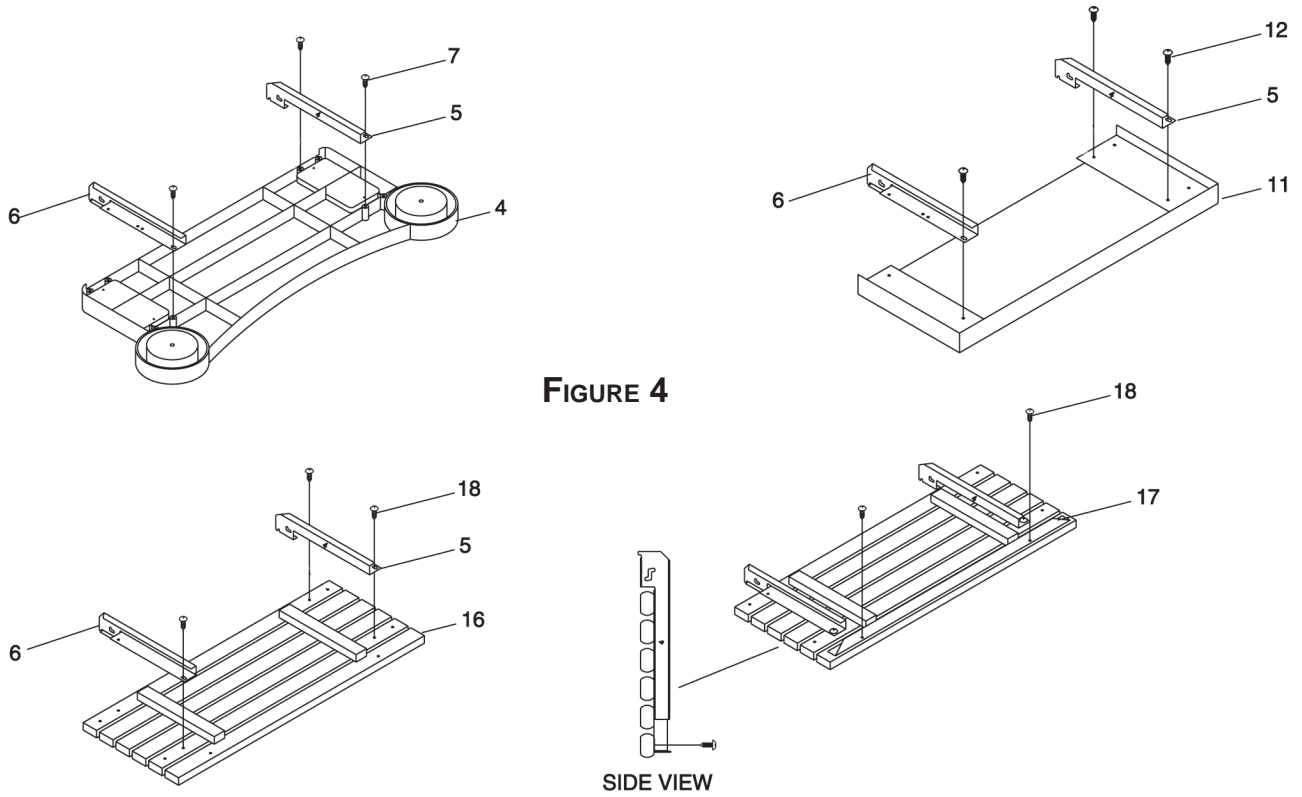


FIGURE 4

Insert the front control panel pin through the slots in the bracket. Install the remaining bracket screw at this time.

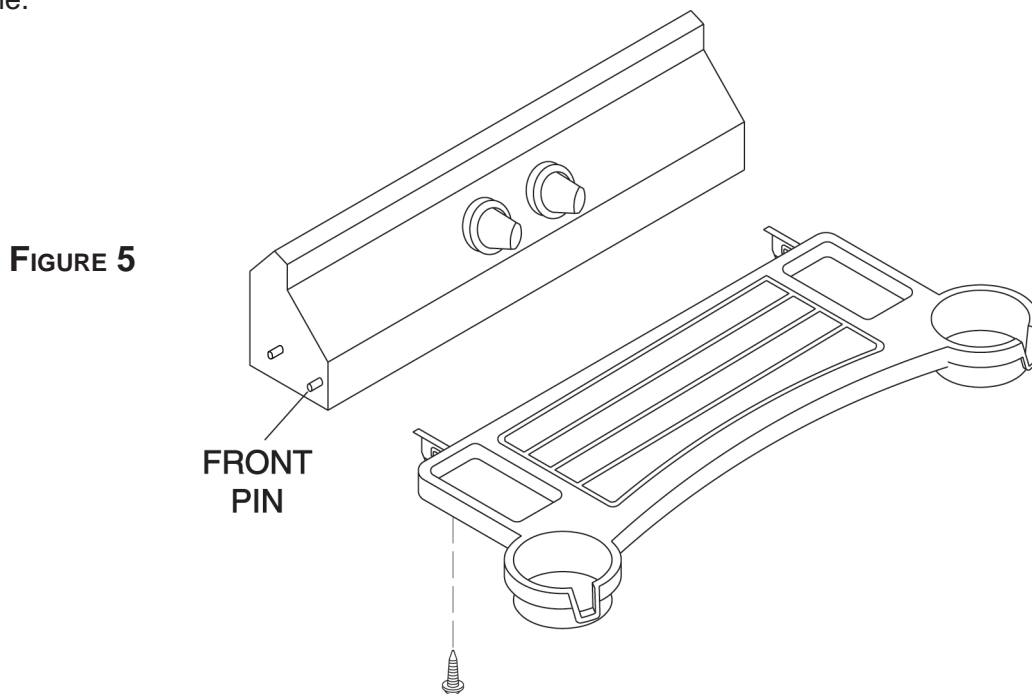


FIGURE 5

Pull Handle

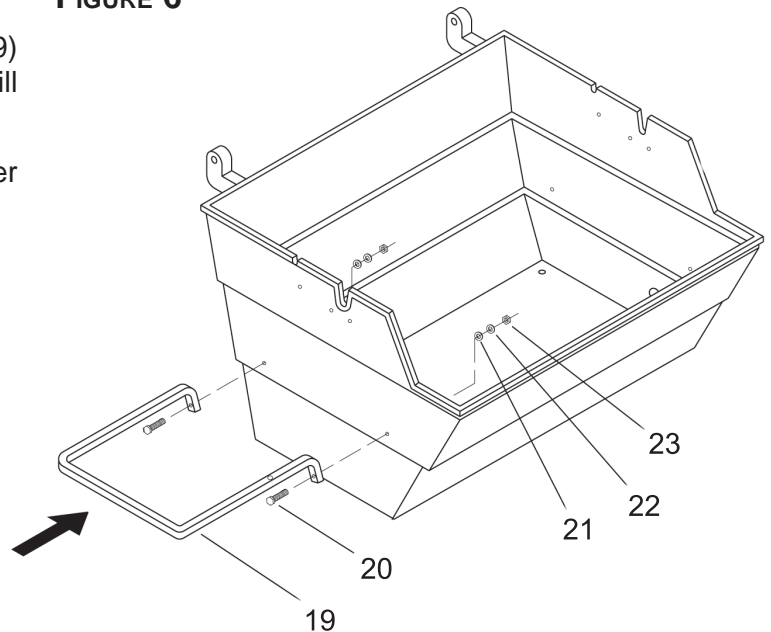
Pull Handle

Place two bolts (20) into holes in pull handle (19) and through holes on left or right side of grill bottom.

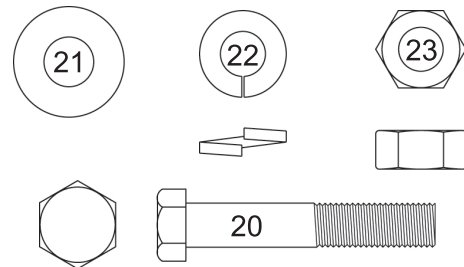
Fasten each bolt with a washer (21), lock washer (22), and nut (23). FIGURE 6.

Repeat procedure for the right side.

FIGURE 6



Part Description	Qty.	SKPH Part No.
Handle Shelf Stainless Bracket	1	B073100
Bolt 1/4-20 x 1/2 Hex Head Stainless Steel	2	B076330
1/4-20 Hex Nut Stainless Steel	2	B076331
9/32 ID x 5/8 00 Flat Washer Stainless	2	B076332
1/4 ID x 5/8 00 Lock Washer	2	B076333



BROILMASTER®

A Division of Empire Comfort Systems, Inc.
 918 Freeburg Ave.
 Belleville, Illinois 62220
 Phone: 1-800-851-3153
 FAX: 1-800-443-8648

VISIT OUR WEB SITE AT www.broilmaster.com

RETAIN OWNER'S MANUAL FOR FUTURE REFERENCE.

B100004-0-0102

Free Manuals Download Website

<http://myh66.com>

<http://usermanuals.us>

<http://www.somanuals.com>

<http://www.4manuals.cc>

<http://www.manual-lib.com>

<http://www.404manual.com>

<http://www.luxmanual.com>

<http://aubethermostatmanual.com>

Golf course search by state

<http://golfingnear.com>

Email search by domain

<http://emailbydomain.com>

Auto manuals search

<http://auto.somanuals.com>

TV manuals search

<http://tv.somanuals.com>