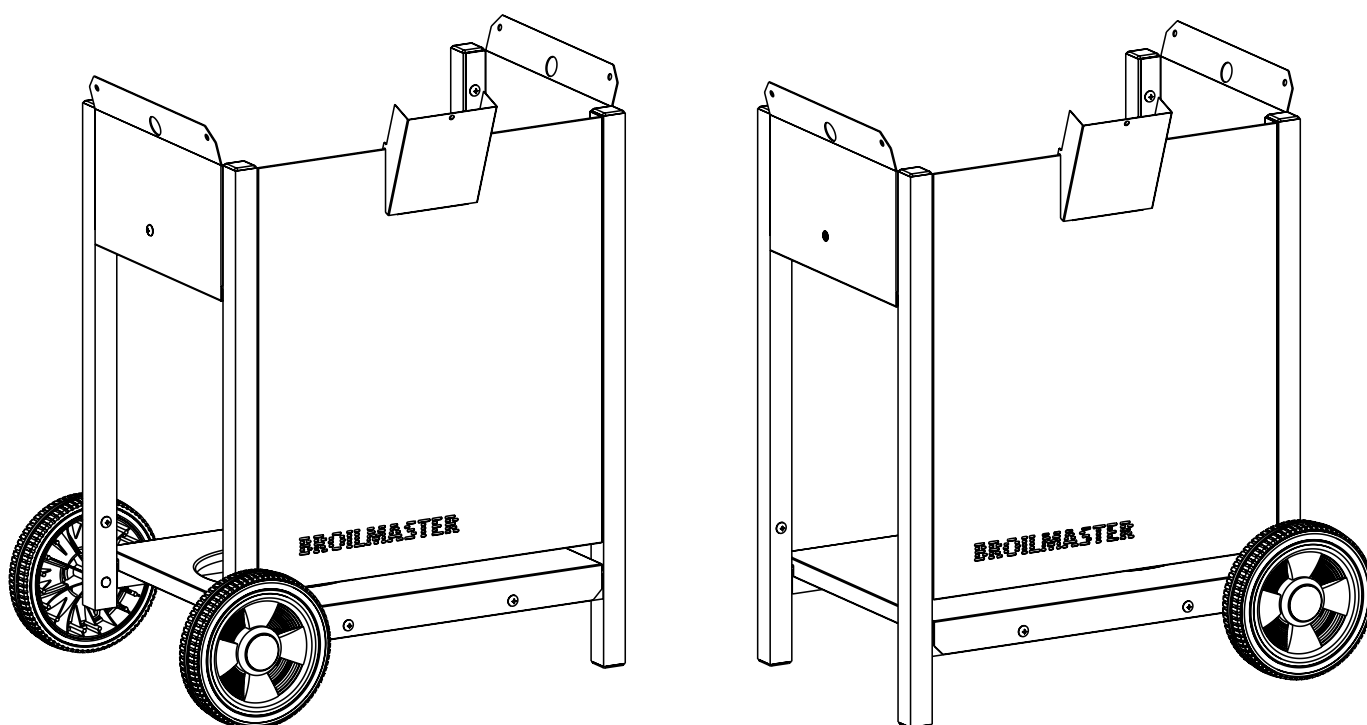




GARDEN CART ASSEMBLY INSTALLATION INSTRUCTIONS



VERIFY THAT ALL PARTS LISTED ON THE EXPLODED VIEW OF THIS MANUAL HAVE BEEN INCLUDED IN THIS CART BEFORE BEGINNING INSTALLATION.

CAUTION: USE CAUTION WHEN HANDLING PARTS, AS THEY MAY CONTAIN SHARP EDGES.
WORK GLOVES ARE RECOMMENDED TO PREVENT INJURY.

KEEP THIS OWNER'S MANUAL FOR FUTURE REFERENCE.

**EMPIRE COMFORT SYSTEMS, INC • 918 FREEBURG AVE. • BELLEVILLE, IL 62220
B100613-3-1203**

TABLE OF CONTENTS

CONGRATULATIONS!

You have chosen the finest grill for your outdoor cooking pleasure. Please take time to read this entire manual before assembling your deluxe Broilmaster® accessory.

Important Information	3
Cart Exploded View	4
Cart Parts List.....	4
Hardware Package	5
Before You Begin.....	5
Cart Assembly	6-8

THIS GAS ACCESSORY IS DESIGNED FOR OUTDOOR USE ONLY

IMPORTANT

THIS MANUAL SHOULD BE READ THOROUGHLY BY THE PERSON INSTALLING THE GRILL MOUNTING AND ALL PERSONS WHO WILL USE AND MAINTAIN THE GRILL MOUNTING. THE INSTALLER SHOULD BE SURE THE MANUAL IS LEFT IN THE POSSESSION OF THE USER. THE USER SHOULD RETAIN THIS MANUAL FOR FUTURE REFERENCE WHEN USING OR CLEANING THE GRILL MOUNTING AND TO PROPERLY IDENTIFY ANY REPAIR PARTS THAT MAY BE REQUIRED.

WARNING

REFERENCE THIS MANUAL FOR PROPER INSTALLATION AND MAINTENANCE INSTRUCTIONS. IMPROPER INSTALLATION, ADJUSTMENT, ALTERATION, SERVICE OR MAINTENANCE CAN CAUSE PERSONAL INJURY OR PROPERTY DAMAGE. FOR ASSISTANCE OR ADDITIONAL INFORMATION CONSULT A QUALIFIED INSTALLER, SERVICE AGENCY OR THE GAS SUPPLIER.

CAUTION:

THE GRILL AND ITS INDIVIDUAL SHUTOFF VALVE MUST BE DISCONNECTED FROM THE GAS SUPPLY PIPING SYSTEM DURING ANY PRESSURE TESTING OF THAT SYSTEM AT TEST PRESSURES IN EXCESS OF 1/2 PSIG.

CAUTION:

THE GRILL MUST BE ISOLATED FROM THE GAS SUPPLY PIPING SYSTEM BY CLOSING ITS INDIVIDUAL MANUAL SHUTOFF VALVE DURING ANY PRESSURE TESTING OF THE GAS SUPPLY PIPING SYSTEM AT TEST PRESSURES EQUAL TO OR LESS THAN 1/2 PSIG.

CAUTION:

PARTS MAY HAVE SHARP EDGES. WEAR LEATHER WORK GLOVES AND HANDLE PARTS CAREFULLY DURING THE UNPACKING, ASSEMBLY AND THE INSTALLATION.

WARNING

DO NOT SUPPLY LP GAS TO A GRILL DESIGNED FOR NATURAL GAS NOR NATURAL GAS TO A GRILL DESIGNED FOR LP GAS.

NOTICE

ASSEMBLE GRILL MOUNT BEFORE ASSEMBLING GRILL.

IMPORTANT INFORMATION

Grill Location

Broilmaster® Premium Gas Grills are designed for outdoor use ONLY.

These mounting accessories are designed for use with Broilmaster® gas grills and must not be used with any other grill or for any other purpose.

Never install or operate your grill in any building, garage, or other enclosed area.

For your safety, the grill should not be installed or operated under any combustible materials, such as carports, covered porches, awnings, or overhangs.

Never install or use your grill in or on any recreational vehicle or boat.

CAUTION: THE INSTALLATION AND OPERATION OF THIS GRILL AT CLEARANCES LESS THAN SPECIFIED BELOW MAY LEAD TO THE POSSIBILITY OF FIRE, PROPERTY DAMAGE, OR PERSONAL INJURY.

A minimum clearance of sixteen (16") inches is required from all sides of the grill to any combustible material.

A minimum clearance of eighteen (18") inches is required from the back of the grill to any combustible material.

Examples of combustible materials are patio furniture, fences, or the wall of your home.

The area surrounding the grill should be clear to ensure proper ventilation. Do not obstruct the flow of combustion and ventilation air in any way. The ventilation openings on the propane cylinder enclosure must also remain free and clear of debris.

WARNING: DO NOT INSTALL OR OPERATE A GAS GRILL WHERE GASOLINE OR OTHER FLAMMABLE MATERIALS ARE USED OR STORED. FAILURE TO COMPLY WITH THIS WARNING COULD RESULT IN EXPLOSION OR FIRE CAUSING PROPERTY DAMAGE OR PERSONAL INJURY.

Gas Types

Never use liquid propane gas with a grill designed for natural gas, or natural gas with a grill designed for liquid propane gas. The type of gas required for your grill is defined on its product identification label. Questions regarding different types of gases should be directed to your gas supplier.

Cleaning

The exterior of your cart or post may be cleaned with hot water and mild detergent as needed.

Touch-up paint is available through your Broilmaster® dealer.

Stainless steel surfaces may be cleaned with a spray-on stainless steel cleaner available at most hardware stores.

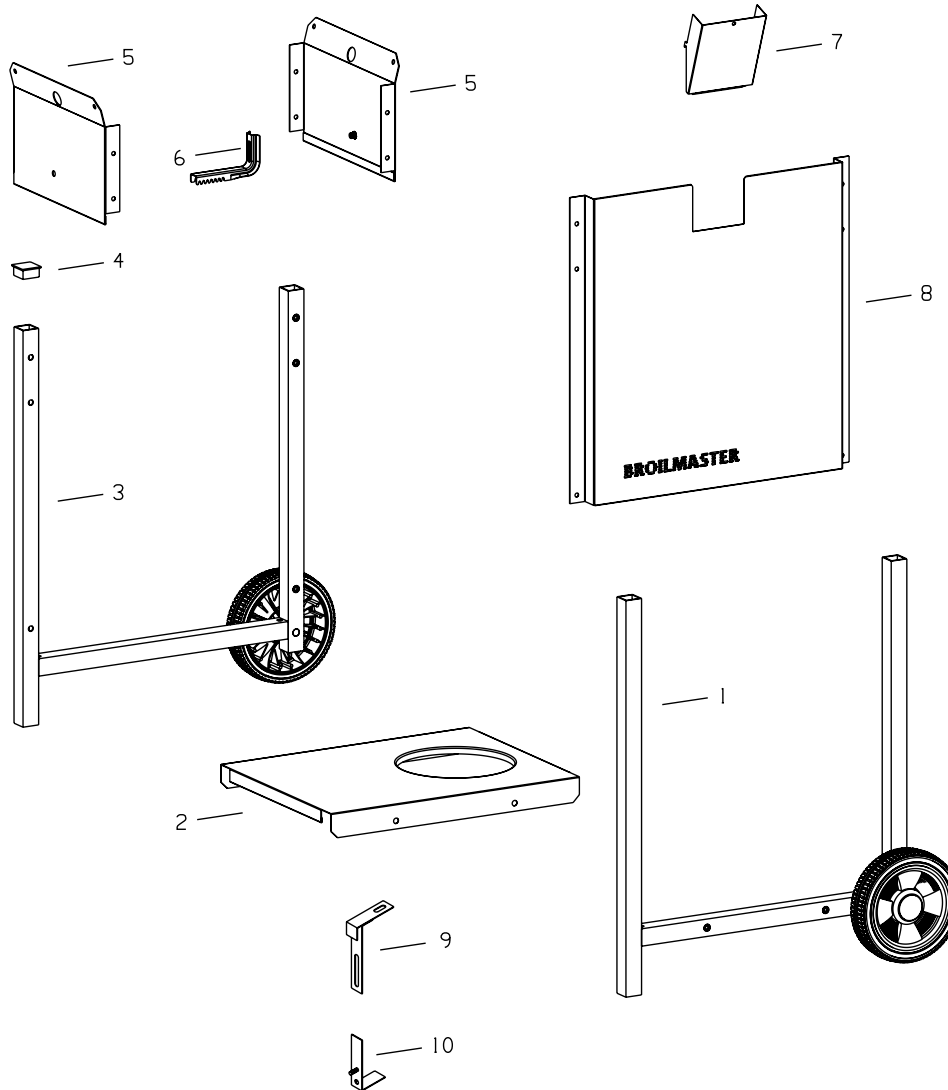
Important: Do not use harsh or abrasive cleaners! Your cart or post has a highly polished surface and may be easily scratched.

PERIODIC INSPECTION AND MAINTENANCE

Periodic inspections and maintenance are essential. All Broilmaster® Gas Grill products or mechanical devices eventually begin to wear due to environment, contaminants, corrosion or aging. Inspect all components at least twice per year and replace any that show wear.

If any parts are damaged or missing, you may order parts from your local Broilmaster® dealer.

CART EXPLODED VIEW



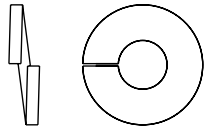
CART PARTS LIST

PART NUMBER	MODEL NUMBER	DESCRIPTION
1	B100604	FRAME ASSEMBLY (3 SERIES)
1	B100606	FRAME ASSEMBLY (4 SERIES)
2	B100577	BASE SHELF (3 SERIES)
2	B100586	BASE SHELF (4 SERIES)
3	B100603	FRAME ASSEMBLY(3 SERIES)
3	B100605	FRAME ASSEMBLY (4 SERIES)
4	B100598	END CAP
5	B100573	HEAD BRACKET ASSEMBLY
6	B064791	CYLINDER RETAINER
7	B100579	MANIFOLD COVER PLATE

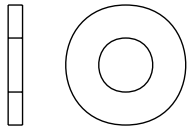
PART NUMBER	MODEL NUMBER	DESCRIPTION
8	B100578	FRONT PANEL (3 SERIES)
8	B100587	FRONT PANEL (4 SERIES)
9	B743095	GREASE RETAINER TOP ASSEMBLY
10	B743098	GREASE RETAINER ASSEMBLY
NS	B073272	WHEEL - BLACK
NS	B100108	WHEEL RETAINER
NS	B100581	WHEEL COVER
NS	B100526	GREASE CUP

All repair part orders should be placed through your local Broilmaster® dealer. To locate a dealer in your area, contact Broilmaster Customer Service at 800-851-3153 • www.broilmaster.com. To ensure prompt and accurate service, please provide the following information when placing a repair part order: Model Number, Part Name, Part Number, and Quantity of parts needed.

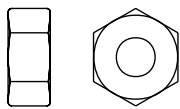
HARDWARE PACKAGE



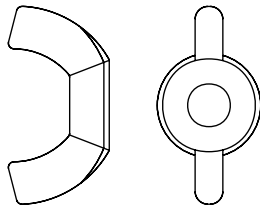
**B076333 1/4 ID X 5/8 OD
LOCK WASHER SS**



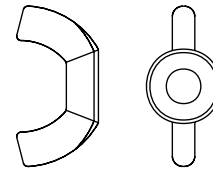
**B100136 9/32 X 5/8 OD
FLAT WASHER**



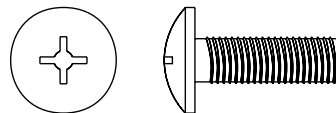
B100120 1/4-20 HEX NUT



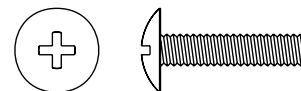
B072181 1/4-20 WING NUT



B100125 10-24 WING NUT



**B072220 SCREW 1/4-20 X 3/4
PHILLIPS TRUSS HEAD**



**B100128 SCREW 10-24 X 3/4
PHILLIPS TRUSS HEAD BLACK**

BEFORE YOU BEGIN

When assembling the Garden Cart, you have the option to have the drop-down side shelf/pull handle on the left or right side of the cart. Please note the following:

- If the side burner is being installed, the drop-down side shelf/pull handle must be installed on the left side of the grill.
- The side burner must be installed on the right side of the grill only.
- The drop-down side shelf/pull handle must be installed on the side opposite the wheels.

The instructions in this manual will guide you to assemble the Garden Cart and drop-down side shelf/pull handle for the grill as shown in Figure 1. If you choose to install the drop-down side shelf/pull handle on the right side of the grill as shown in Figure 2. Start with the opposite frame assembly shown in Figure 3.



FIGURE 1



FIGURE 2

CART ASSEMBLY

1

Lay one frame assembly on a non-abrasive surface. Place front panel onto frame assembly. Attach bottom of front panel to bottom of frame assembly with two (2) 1/4-20 x 3/4 Phillips screws. Figure 3

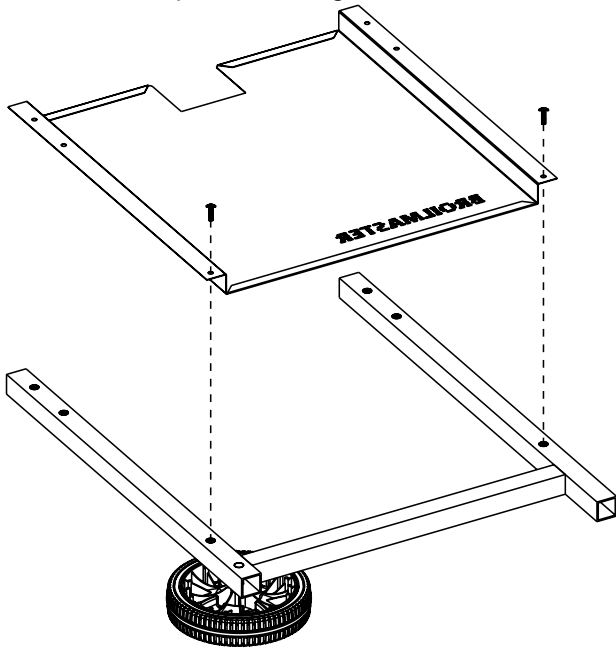


FIGURE 3

2

Place two (2) head brackets onto frame assembly. Attach each head bracket to frame assembly with two (2) 1/4-20 x 3/4 Phillips screws. Figure 4

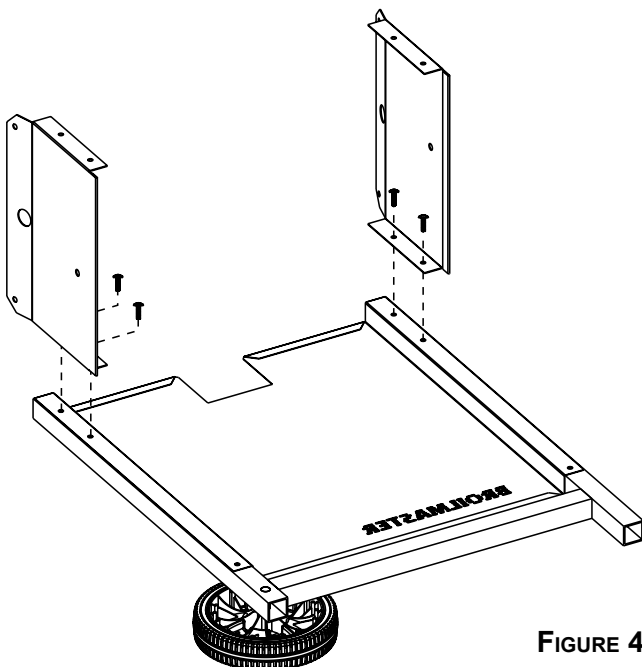


FIGURE 4

3

Place base shelf onto frame assembly. Install the large hole in base shelf for LP cylinder on wheel end of cart. DO NOT attempt to attach base shelf to frame assembly at this time. Figure 5

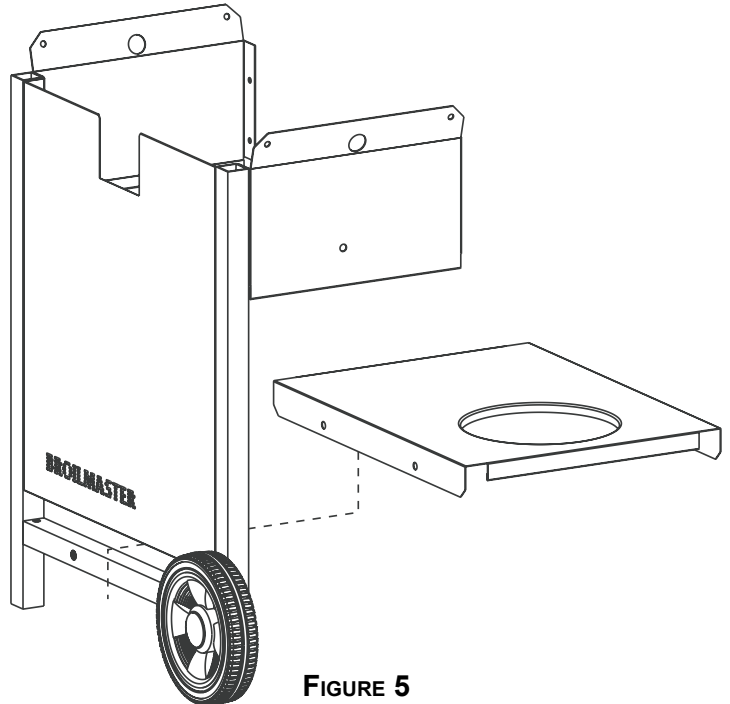


FIGURE 5

4

Attach each head bracket to second frame assembly with two (2) 1/4-20 x 3/4 Phillips screws. **Attention:** Insert two (2) 1/4-20 x 3/4 Phillips screws into bottom of second frame assembly to prevent the entry of rain. Figure 6

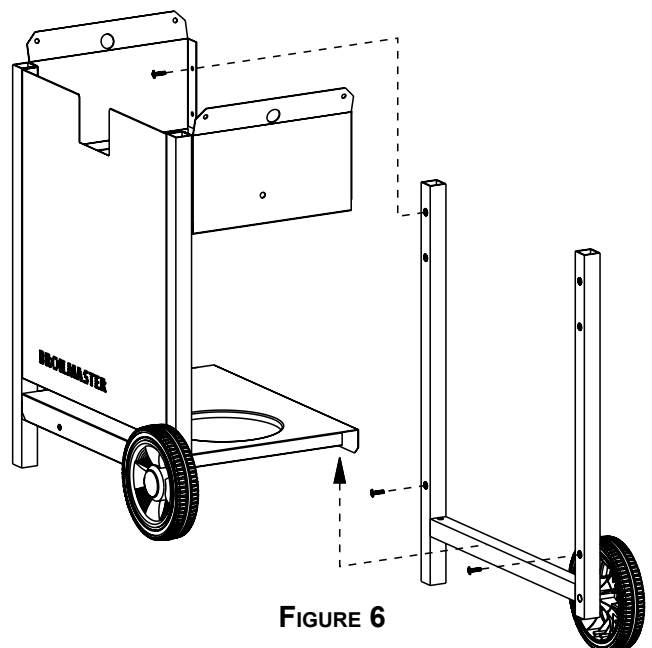


FIGURE 6

CART ASSEMBLY

5

Attach base shelf to each frame assembly with two (2) 1/4-20 x 3/4 Phillips screws. Figure 7

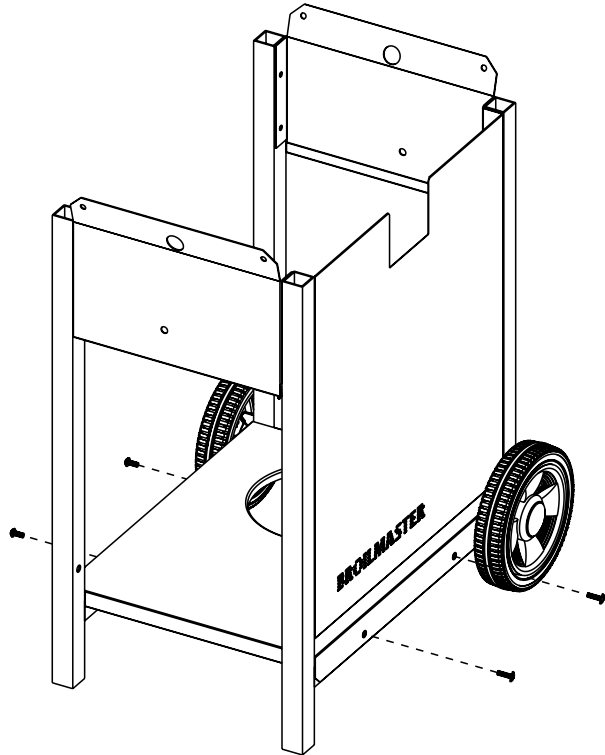


FIGURE 7

6

Attach cylinder retainer to head bracket which is adjacent to wheels with one (1) 1/4-20 wing nut and (1) 1/4-20 x 3/4 Phillips screw. Figure 8

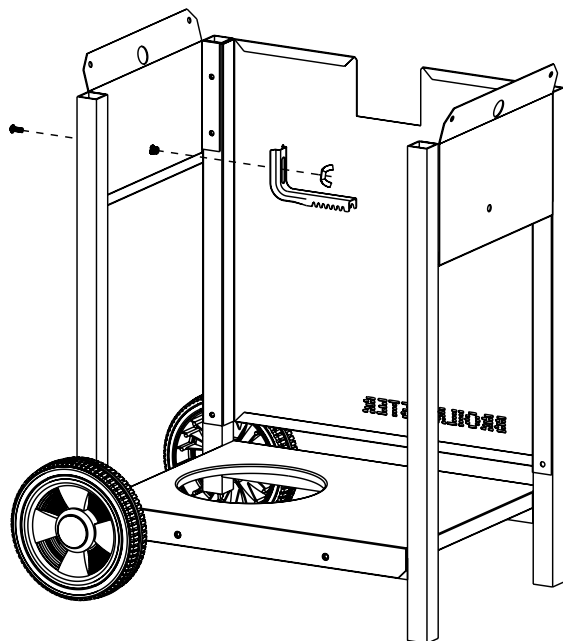


FIGURE 8

7

Place grill head onto garden cart. Attach side shelf and grill head to the two frame assemblies with four (4) 1/4-20 x 3/4 Phillips screws, 1/4 x 5/8 lock washers and 1/4-20 hex nuts. Figure 9

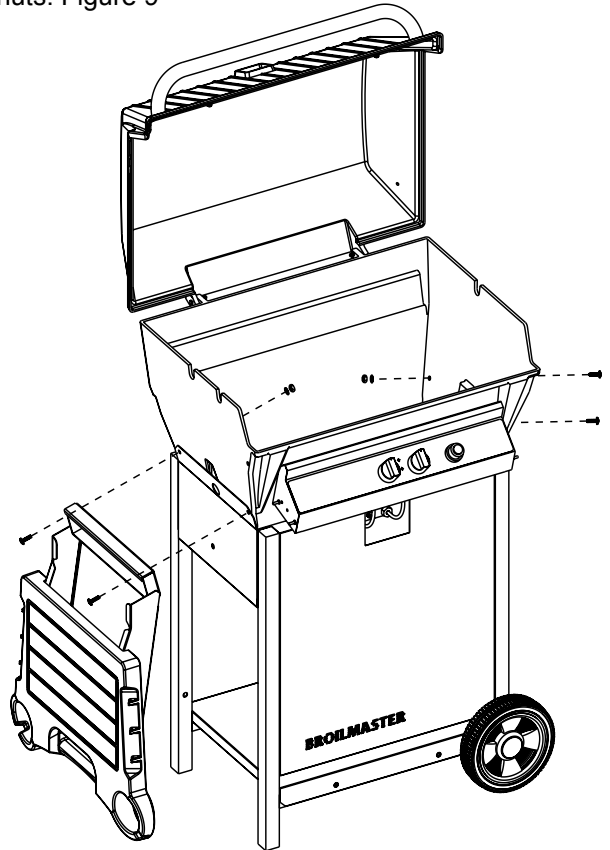


FIGURE 9

8

Attach the grease retainer assembly to the grease retainer top assembly with a 10-24 wing nut.

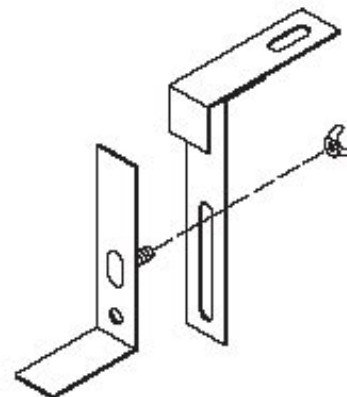


FIGURE 10

CART ASSEMBLY

9

Attach the grease retainer assembly and grease retainer top assembly to the bottom of the grill head and fasten with one (1)10-24 x 3/4 Phillips bolt and one (1)10-24 wing nut provided with grill head for use with stabilizing arm and burner stabilizing arm.

Loosen the wing nut and move the slide up or down to accept the grease cup. Be sure to trap the rim of the cup as shown. Figure 11

Use only noncombustible containers for the grease cup (aluminum or tin cans) do not use combustible containers such as Styrofoam or paper cups.

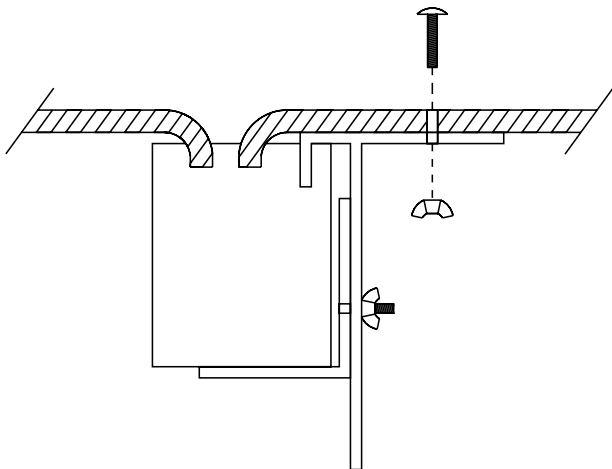


FIGURE 11

10

Insert manifold cover plate into front panel. Figure 12

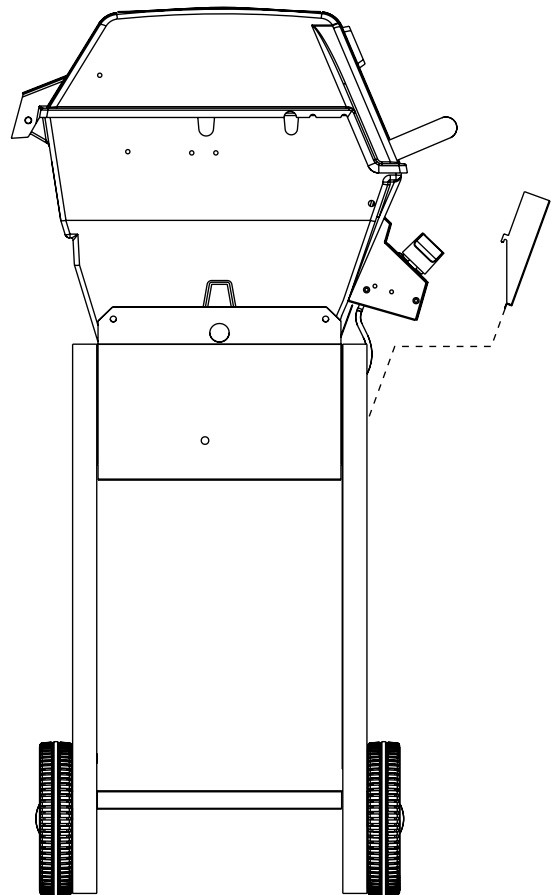


FIGURE 12

11

Assembly of garden cart is completed.



BROILMASTER®

A Division of Empire Comfort Systems, Inc.

918 Freeburg Ave.

Belleville, Illinois 62220

Phone: 1-800-851-3153

FAX: 1-800-443-8648

VISIT OUR WEB SITE AT www.broilmaster.com

RETAIN OWNER'S MANUAL FOR FUTURE REFERENCE.

Free Manuals Download Website

<http://myh66.com>

<http://usermanuals.us>

<http://www.somanuals.com>

<http://www.4manuals.cc>

<http://www.manual-lib.com>

<http://www.404manual.com>

<http://www.luxmanual.com>

<http://aubethermostatmanual.com>

Golf course search by state

<http://golfingnear.com>

Email search by domain

<http://emailbydomain.com>

Auto manuals search

<http://auto.somanuals.com>

TV manuals search

<http://tv.somanuals.com>