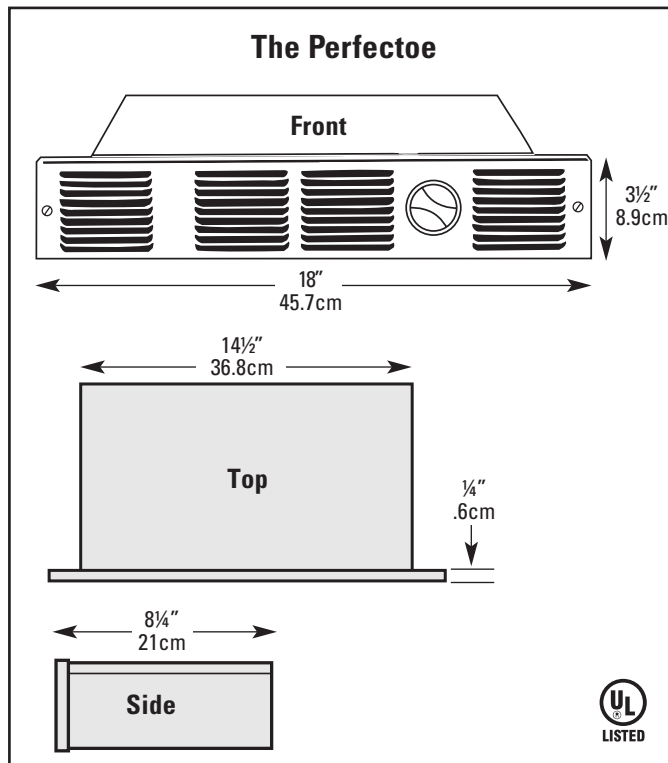




The Perfectoe

OWNER'S GUIDE

**TOOLS REQUIRED:**

Phillips Screwdriver
Straight Screwdriver
Wire Strippers

Utility Knife
(2) 1 1/2" Wood Screws
(3) Insulated Wire Connectors
(1) Strain Relief Connector

Features & Benefits

- Thermal Safeguard
- High temperature manual reset: turns off heater if normal operating temperatures are exceeded
- Rugged steel-finned element
- Ideal for bathrooms and kitchens
- Low profile for rooms with limited space
- Two-year extended warranty
- Single pole or double pole field mount thermostat kit available
- Black or white powder coat paint for a durable finish

MODELS

The Perfectoe

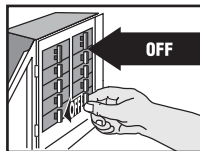
UC072

UC102

UC101

* For installations above 7000 feet, highest wattage recommended is 750 watts.

IMPORTANT INSTRUCTIONS

**⚠ WARNING**

Turn the electrical power off at the electrical panel board (circuit breaker or fuse box) and lock or tag the panel board door to prevent someone from turning on power while you are working on the heater. Failure to do so could result in serious electrical shock, burns, or possible death.

1. Read all instructions before using this heater.
2. Read all information labels. **Verify that the electrical supply wires are the same voltage as the heater.**
3. All electrical work and materials must comply with the National Electric Code (NEC), the Occupational Safety and Health Act (OSHA), and all state and local codes.
4. Connect the grounding pigtail (copper wire) provided in the wall can to the supply ground wire.
5. If you need to install a new circuit or need additional wiring information, consult a qualified electrician.
6. Protect electrical supply from kinks, sharp objects, oil, grease, hot surfaces or chemicals.
7. **⚠ WARNING**
Overheating or fire may occur. DO NOT install the heater in a floor, behind doors, or outdoors.
8. **⚠ WARNING**
Fire or explosion may occur. Heater has hot and arcing or sparking parts inside. Do not install heater in any area where combustible vapors, gases, liquids, or excessive lint or dust are present.
9. **⚠ WARNING**
Burn Hazard. This heater is hot when in use. To avoid burns, do not let bare skin touch hot surfaces. Use extreme caution when any heater is used by or near children or invalids and whenever the heater is left operating unattended.
10. **⚠ WARNING**
Risk of Electrical Shock. Keep all foreign objects out of heater. Do not operate after heater malfunctions or has been dropped or damaged in any manner.
11. **⚠ WARNING**
Risk of Fire. Do not block heater. Heater must be kept clear of all obstructions: a minimum of 3 feet in front, 6 inches on both sides. Heaters must be kept clean of excessive lint, dirt and debris. (See Maintenance Instructions).
12. Use this heater only as described in this manual. Any other use not recommended by the manufacturer may cause fire, electrical shock, or injury to persons.

SAVE THESE INSTRUCTIONS

READ ALL INSTRUCTIONS AND SAFETY INFORMATION

IMPORTANT! It is extremely important that you verify the electrical supply wires are the same voltage as the heater (i.e. 120 volt heater to 120 volt power supply and 240 volt heater to 240 volt power supply). If replacing an existing heater, check the labels of the old heater and replace using the same voltage. Hooking a 240 volt heater to a 120 volt power supply will drastically reduce the heater's output. Hooking a 120 volt heater to a 240 volt power supply will destroy the heater. Connecting your heater to an incompatible power supply will void the warranty.

Installation Instructions

Part One

PLACEMENT: Read IMPORTANT INSTRUCTIONS for important safety requirements. For best results, install heater beneath a cabinet in the toe kick area. Install the Perfectoe (Model UC) horizontally. Do not install the UC heater in the floor. Headers and bracing are not necessary. Heater must be installed per the directions indicated on the lid. See clearance requirements for additional placement instructions. Install at least 6" from the inside corner and/or vertical adjacent surfaces.

CONTROLS: A thermostat is required. A Cadet electronic thermostat is recommended for ultimate control and comfort. Optional single or double pole field mount thermostat kits are also available.

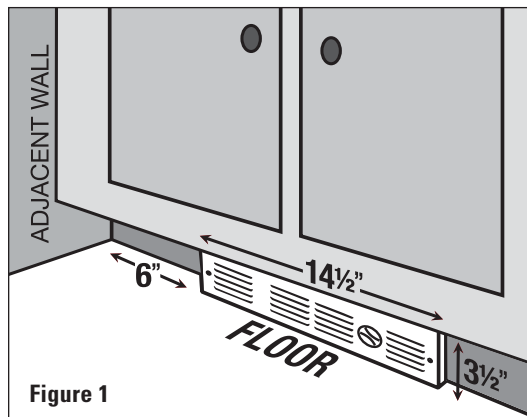
STEP 1 Turn the Electrical Power OFF

Turn the electrical power off at the electrical panel board (circuit breaker or fuse box) and lock or tag the panel board door to prevent someone from turning on power while you are working on the heater.

STEP 2 Determine Area of Installation

The UC Series heater REQUIRES A MINIMUM distance of 6 inches from adjacent surfaces (See Figure 1). However, Cadet RECOMMENDS 12 inches from all adjacent surfaces for longer and cleaner performance. Heaters must be spaced at least 3 feet apart.

For installation in an existing wall/cabinet, cut a rough opening 14½ inches wide by 3½ inches high. Opening must be 8½ inches deep and 6 inches from adjacent wall.



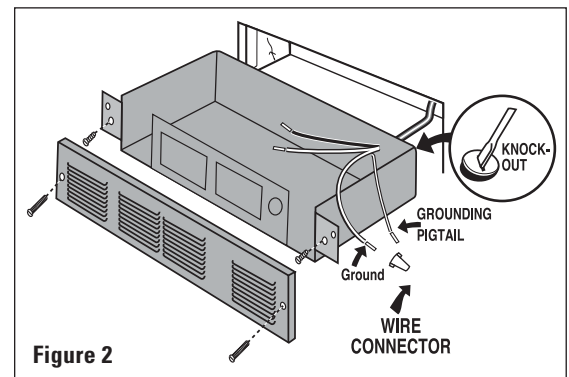
WARNING! Vinyl floor manufacturers warn that some vinyl may discolor from temperatures in excess of 110° F. See your vinyl floor manufacturer for temperature specifications for your vinyl floor covering.

STEP 3 Route Supply Wires

For wall thermostat applications, route supply wire from circuit breaker to thermostat to rough opening. For models with an optional field mount thermostat kit, route supply wire from circuit breaker to rough opening. Allow enough wire to extend 12 inches beyond the opening. Place heater lid aside. Remove the knockout and attach the supply wire with a strain relief connector, leaving 6 inches wire lead for later use (See Figure 2).

STEP 4 Connect Supply Wires

Connect the supply ground wire to the green grounding pigtail provided (See Figure 2). Connect each supply wire to one heater wire with wire connectors. Note: All wire connections must be made inside the heater.



STEP 5 Mount the Heater

Reinstall heater lid and attach using four screws provided. Slide heater into opening. Fasten heater to cabinet with screws (not provided) going through the lower holes located on the flanges. Fasten grill to heater with screws provided going through the upper holes located on the flanges.

STEP 6 Turn the Electrical Power ON

Turn the electrical power back on at the electrical panel board (circuit breaker or fuse box).

Operation and Maintenance

Part Two

How to operate your heater

1. Once installation is complete and power has been restored turn the thermostat knob fully clockwise.
2. When the room reaches your comfort level, turn the thermostat knob counterclockwise until the heater turns off. The heater will automatically cycle around this preset temperature.
3. To reduce the room temperature, turn the knob counterclockwise. To increase the room temperature, turn the knob clockwise.

Maintenance

As needed, or every six months minimum.

1. **⚠️ WARNING! Before removing grill, turn the electrical power off at the electrical panel board (circuit breaker or fuse box). Lock or tag the panel board door to prevent someone from accidentally turning the power on while you are working on the heater. Failure to do so could result in serious electrical shock, burns, or possible death.**
2. It is important that you verify power has been turned off and no power is going to the heater before proceeding. Circuit breakers are often not marked correctly and turning the wrong breaker off could mean electricity is flowing to the heater, even if the heater does not appear to be working. If you are uncomfortable working with electrical appliances, unable to follow these guidelines, or do not have the necessary equipment, consult a qualified electrician.
3. Once you verify the power has been turned off correctly, proceed to the next step.
4. Remove thermostat knob, if equipped. Remove the screws and take off grill.
5. Wash grill with hot, soapy water and dry immediately.
6. If present, remove the screws securing the heater assembly to the opening, then pull heater out of opening.
7. Remove the four screws securing the lid to the top of the heater assembly, remove lid.
8. Thoroughly vacuum accumulated dust, lint or other debris from blower wheel and heater outlet. Important: Be careful not to damage the blower wheel, and do not allow the blower wheel to spin freely when vacuuming.
9. Install lid and slide heater assembly back into opening. Secure heater assembly to opening, then install grill and thermostat knob (if equipped).
10. Restore power to heater at circuit breaker panel or fuse box, then test heater operation by turning thermostat on and/or adjusting to a higher temperature.

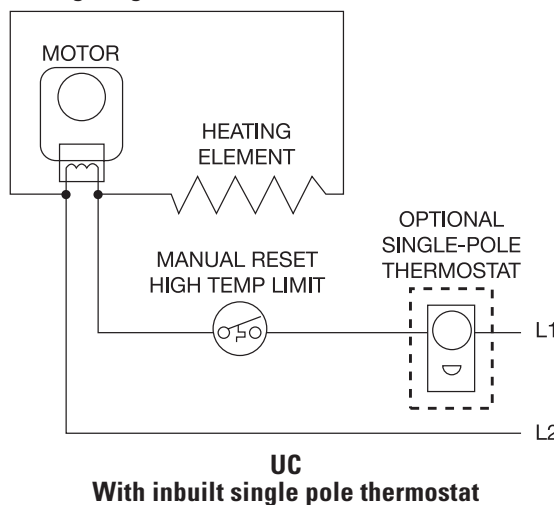
About the Manual Reset Temperature Limit Control

The heater is protected by a temperature-limit control. The manual reset temperature limit control is designed to open the heater circuit when excessive operating temperatures are detected. The problem must be assessed and the limit must be reset to resume operation.

Resetting the Manual Reset Temperature Limit Control

If the manual reset limit control has opened the heater circuit due to excessive operating temperatures, the heater will not work until the manual reset limit button is pressed. After allowing the unit to cool for at least 15 minutes and resolving the problem causing the limit to trip (typically heater is blocked or needs cleaning), use a narrow object such as a ball-point pen to access the manual reset button through the heater grill. Press FIRMLY, and be sure to listen and feel for a click, indicating it has been reset.

Wiring Diagram



⚠️ WARNING
Risk of Electrical Shock. Connect grounding lead to grounding wire provided. Keep all foreign objects out of heater.

⚠️ WARNING
Risk of Fire. Heater must be kept clear of all obstructions: a minimum of 3 feet in front; 6 inches on both sides. Heaters must be kept clean of lint, dirt and debris.

⚠️ WARNING
Turn the electrical power off at the electrical panel board (circuit breaker or fuse box) and lock or tag the panel board door to prevent someone from turning on power while you are working on the heater. Failure to do so could result in serious electrical shock, burns, or possible death.

Troubleshooting Chart

CONSULT LOCAL ELECTRICAL CODES TO DETERMINE WHAT WORK MUST BE PERFORMED BY QUALIFIED ELECTRICAL SERVICE PERSONNEL.

Symptom	Problem	Solution
Breaker trips immediately upon energizing heater.	<ol style="list-style-type: none"> 1. Incorrect supply voltage. 2. Overloaded circuit. 3. A short circuit exists in the supply or heater wiring. 4. Defective circuit breaker. 	<ol style="list-style-type: none"> 1. Verify that supply voltage matches the heater rating. 2. The total amperage of all heaters on a branch circuit must not be more than 80% of the amperage rating of the circuit breaker and supply wire ratings. Use a lower wattage heater, or reduce the number of heaters in the circuit. 3. Shorted supply or heater wires may be accompanied by severe sparking. Inspect all supply and heater wiring insulation for damage. Do not reset the circuit breaker until all electrical shorts have been repaired. 4. Replace the circuit breaker.
Heater fan operating, but does not discharge warm air.	<ol style="list-style-type: none"> 1. Insufficient element temperature. 2. Incorrect supply voltage. 3. Element has failed. 	<ol style="list-style-type: none"> 1. Allow a few moments for element to reach operating temperature. 2. Verify that supply voltage matches the heater rating. 3. Replace element.
Heater will not shut off.	<ol style="list-style-type: none"> 1. Heat loss from room is greater than heater capacity. 2. Defective thermostat. 3. Thermostat wired incorrectly to heater. 	<ol style="list-style-type: none"> 1. Close doors and windows. Provide additional insulation, or install a higher-wattage heater or multiple heaters if necessary (if your circuit is rated for more capacity). 2. Adjust thermostat to its lowest setting. If heater continues to run (allow two minutes for the thermostat to respond) and room temperature is greater than 50 degrees; replace thermostat. 3. Refer to thermostat documentation and correct wiring.
Heater discharges smoke or emits a burnt odor.	<ol style="list-style-type: none"> 1. Dust, lint or other matter is accumulated inside heater. 	<ol style="list-style-type: none"> 1. Clean heater (see "Operation & Maintenance" section for instructions).
Element heats for a moment without the fan turning, then immediately stops heating.	<ol style="list-style-type: none"> 1. Defective motor or internal connection. 2. Fan or motor jammed. 	<ol style="list-style-type: none"> 1. Heater or fan motor requires replacement. 2. Remove obstruction and press heater manual reset button after allowing the unit to cool.
Heater does not run.	<ol style="list-style-type: none"> 1. Thermostat set too low. 2. Heater has tripped the manual reset temperature limit control. 3. Power not on at the circuit breaker. 4. Broken or poorly connected wire(s) to heater. 5. Defective thermostat . 	<ol style="list-style-type: none"> 1. Adjust thermostat to a higher temperature until heater operates (see Problem #5 below if the problem persists). 2. Press the manual reset button (see "Operation & Maintenance" section for instructions). 3. Turn on the correct circuit breaker in the main panel. 4. Turn off power at circuit breaker. Check supply wire continuity and proper connection to heater wires. 5. The entire heater, or any of its components may be checked for continuity to determine the cause of any problem. Repair or replace the heater.
Heater continually trips the manual reset temperature limit control.	<ol style="list-style-type: none"> 1. Dust, lint or other matter has accumulated inside heater. 2. Airflow is blocked. 3. Fan or motor is jammed. 4. None of the above. 	<ol style="list-style-type: none"> 1. Clean heater (see "Operation & Maintenance" section for instructions.) 2. Remove obstruction. Maintain a minimum distance of 6" from any inside corner or adjacent surfaces, and 3' for furniture or other objects placed directly in front of the heater. 3. Remove obstruction, and press heater manual reset button (see "Operation & Maintenance" section for instructions.) 4. Replace heater assembly.

Warranty

Maintenance: For more effective and safer operation and to prolong the life of the heater, read the Owner's Guide and follow the maintenance instructions included with each heater. Failure to properly maintain the heater will void any warranty and may cause the heater to function improperly. Warranties are non transferable and apply to original consumer only. Warranty terms are set out below.

LIMITED TWO-YEAR WARRANTY: Cadet will repair or replace any Perfectoe (UC) series element or motor found to be defective within two years after the date of purchase.

THESE WARRANTIES DO NOT APPLY:

1. Damage occurs to the product through improper installation or incorrect supply voltage;
2. Damage occurs to the product through improper maintenance, misuse, abuse, accident, or alteration;
3. The product is serviced by anyone other than Cadet.
4. If the date of manufacture of the product cannot be determined;
5. If the product is damaged during shipping through no fault of Cadet.
6. CADET'S WARRANTY IS LIMITED TO REPAIR OR REPLACEMENT AS SET OUT HEREIN. CADET SHALL NOT BE LIABLE FOR DAMAGES SUCH AS PROPERTY DAMAGE OR FOR CONSEQUENTIAL DAMAGES AND/OR INCIDENTAL EXPENSES RESULTING FROM BREACH OF THESE WRITTEN WARRANTIES OR ANY EXPRESS OR IMPLIED WARRANTY.
7. IN THE EVENT CADET ELECTS TO REPLACE ANY PART OF YOUR CADET PRODUCT, THE REPLACEMENT PARTS ARE SUBJECT TO THE SAME WARRANTIES AS THE PRODUCT. THE INSTALLATION OR REPLACEMENT PARTS DOES NOT MODIFY OR EXTEND THE UNDERLYING WARRANTIES. REPLACEMENT OR REPAIR OF ANY CADET PRODUCT OR PART DOES NOT CREATE ANY NEW WARRANTIES.

8. The warranties give you specific legal rights, and you may also have other rights which vary from state to state. Cadet neither assumes, nor authorizes anyone to assume for it, any other obligation or liability in connection with its products other than as set out herein.

If you believe your Cadet product is defective, please contact Cadet Manufacturing Co. at 360-693-2505, during the warranty period, for instructions on how to have the repair or replacement processed. **Warranty claims made after the warranty period has expired will be denied. Products returned without authorization will be refused.**

Parts and Service

Visit <http://support.cadetco.com> for information on where to obtain Parts and Service.



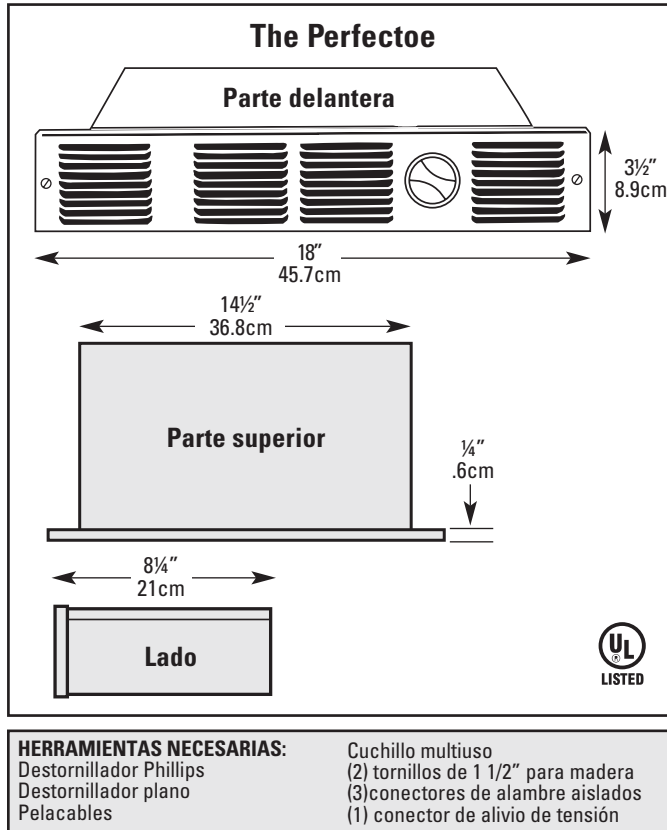
Reduce-Reuse-Recycle

This product is made primarily of recyclable materials. You can reduce your carbon footprint by recycling this product at the end of its useful life. Contact your local recycling support center for further recycling instructions.



The Perfectoe

GUÍA PARA EL PROPIETARIO



Características y Beneficios

- Protección térmica
- Reglaje manual de alta temperatura: apaga el calentador si se sobrepasan las temperaturas de operación normales
- Durable elemento con aletas de acero
- Ideal para baños y cocinas
- Perfil bajo para habitaciones con espacio limitado
- Garantía extendida de dos años
- Juego de termostato de polo único o doble para montaje en terreno
- Pintado con cobertura pulverizada blanca o negra para un acabado duradero

MODELOS

The Perfectoe

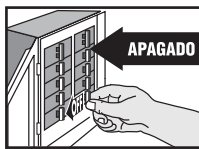
UC072

UC102

UC101

* Para instalaciones a más de 7000 pies, el vatiaje más alto recomendado es de 750 vatios.

INSTRUCCIONES IMPORTANTES



⚠ ADVERTENCIA

Turn the electrical power off at the electrical panel board (circuit breaker or fuse box) and lock or tag the panel board door to prevent someone from turning on power while you are working on the heater. Failure to do so could result in serious electrical shock, burns, or possible death.

1. Lea todas las instrucciones antes de usar este calentador.
2. Lea todas las etiquetas que contengan información. **Verifique que todos los cables de suministro eléctrico sean del mismo voltaje que el calentador.**
3. Todo trabajo y materiales eléctricos deben cumplir con el Código Eléctrico Nacional ("NEC", por su sigla en inglés), con la Ley de Seguridad y Salud Ocupacional ("OSHA", por su sigla en inglés) y con todos los códigos estatales y locales.
4. Conecte el cable en espiral (de cobre) de puesta a tierra que viene en la cámara de pared al cable de conexión a tierra de suministro.
5. Si se debe instalar un nuevo circuito o se necesita información adicional sobre el cableado, consulte a un electricista calificado.
6. Evite que los cables de suministro eléctrico se retuerzan o entren en contacto con objetos afilados, aceite, grasa, superficies calientes o sustancias químicas.
7. ⚠ **ADVERTENCIA**
Podría producirse sobrecalentamiento o un incendio. NO instale el calentador en el suelo, detrás de puertas ni a la intemperie.
8. ⚠ **ADVERTENCIA**
Podrían producirse explosiones o incendios. El calentador está caliente y contiene piezas que producen arcos voltaicos o chispas. No lo instale en áreas donde exista la presencia de vapores, gases o líquidos combustibles o exceso de pelusas o polvo.
9. ⚠ **ADVERTENCIA**
Riesgo de quemaduras. Este calentador se calienta mucho cuando está en uso. Para evitar quemaduras, no lo toque con su piel descubierta. Tenga mucho cuidado al utilizar cualquier tipo de calentador en presencia de niños o personas inválidas.
10. ⚠ **ADVERTENCIA**
Riesgo de electrocución. Evite que entren objetos extraños al calentador. No lo opere después de alguna avería, o si se ha caído o sufrido algún tipo de daño.
11. ⚠ **ADVERTENCIA**
Riesgo de incendio. No bloquee el calentador. El calentador debe mantenerse sin obstrucciones: un mínimo de 3 pies por delante y 6 pulgadas en cada costado. Los calentadores deben mantenerse sin pelusas, suciedad ni residuos excesivos (Consulte las instrucciones de mantenimiento).
12. Use este calentador sólo como se describe en este manual. Todo otro uso no recomendado por el fabricante puede causar incendios, descargas eléctricas o lesiones personales.

CONSERVE ESTAS INSTRUCCIONES

LEA TODAS LAS INSTRUCCIONES E INFORMACIÓN ACERCA DE LA SEGURIDAD

¡IMPORTANTE! Es extremadamente importante verificar que los cables de suministro eléctrico sean del mismo voltaje que el calentador (es decir, un calentador de 120 voltios con un suministro de energía de 120 voltios y un calentador de 240 voltios con un suministro de energía de 240 voltios). Si va a reemplazar un calentador existente, revise las etiquetas del calentador antiguo y sustitúyalo por otro del mismo voltaje. Si se conecta un calentador de 240 voltios a un suministro de energía de 120 voltios, se reducirá drásticamente el rendimiento del calentador. Si se conecta un calentador de 120 voltios a un suministro de energía de 240 voltios, se destruirá el calentador. Si se conecta el calentador a un suministro de energía incompatible, se anulará la garantía.

Instrucciones para la instalación

Parte Uno

UBICACIÓN: Lea las INSTRUCCIONES IMPORTANTES para conocer los requisitos de seguridad. Para obtener mejores resultados, instale el calentador debajo de un armario en el área del hueco del zócalo. Instale horizontalmente la unidad Perfectoe (modelo UC). No instale el calentador UC en el suelo. No se necesitan brochales ni soportes. El calentador debe instalarse según las instrucciones indicadas en la tapa. En los requisitos de espaciado encontrará instrucciones de disposición adicionales. Instálolo al menos a 6" de la esquina interior y/o de superficies adyacentes verticales.

CONTROLES: Se requiere un termostato. Se recomienda usar un termostato electrónico Cadet para una comodidad y un control óptimos. Se ofrecen también juegos de termostato opcionales de polo único o doble para montaje en terreno.

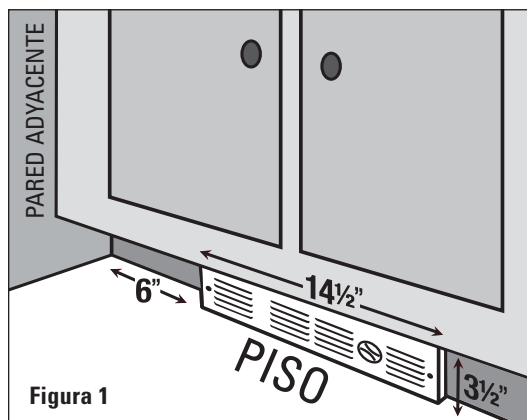
PASO 1 Desconecte la electricidad

Desconecte la electricidad en el tablero del panel eléctrico (caja de cortacircuitos o fusibles) y trabe o coloque un cartel en la puerta del tablero del panel para evitar que alguien vuelva a conectar la energía mientras se esté trabajando en el calentador.

PASO 2 Determine el área de instalación

El calentador serie UC REQUIERE UNA DISTANCIA MÍNIMA de 6 pulgadas desde las superficies adyacentes (consulte la figura 1). Sin embargo, Cadet RECOMIENDA 12 pulgadas desde todas las superficies adyacentes para lograr un rendimiento más prolongado y limpio. Si se instalan varios calentadores, deje al menos tres pies entre ellos.

Para la instalación en una pared/armario existente, corte una abertura sin acabar de 14½ pulgadas de ancho por 3½ pulgadas de alto. La abertura debe tener 8½ pulgadas de profundidad y estar a 6 pulgadas de la pared adyacente.



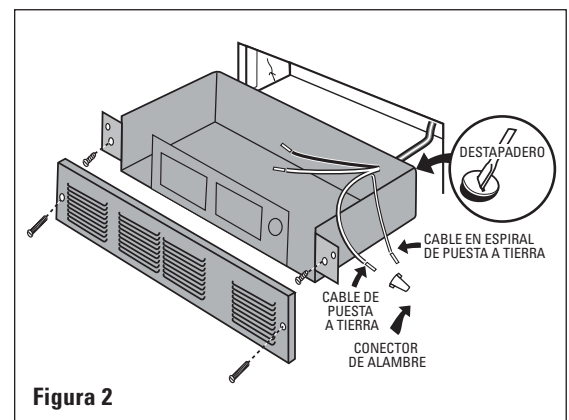
¡ADVERTENCIA! Los fabricantes de pisos de vinilo advierten que algunos de sus productos pueden decolorarse a temperaturas superiores a 110° F. Consulte al fabricante correspondiente las especificaciones de temperatura para el piso de vinilo suyo.

PASO 3 Dirija los alambres de suministro

Para instalaciones con termostatos murales, dirija el cable de suministro desde el cortacircuito a la abertura pasando por el termostato. Para modelos con un juego de termostato opcional para montaje en terreno, dirija el cable de suministro desde el cortacircuito a la abertura. Use suficiente cable como para que se extienda 12 pulgadas más allá de la abertura. Ponga la tapa del calentador a un lado. Quite el destapadero y fije el cable de suministro mediante un conector de alivio de tensión dejando 6 pulgadas de cable de conexión para utilizarlo más adelante (consulte la figura 2).

PASO 4 Conecte los alambres de suministro

Conecte el alambre de puesta a tierra del suministro al cable en espiral verde de tierra proporcionado (consulte la figura 2). Empalme cada alambre del suministro a un alambre del calentador usando conectores de cables. Nota: Todas las conexiones de alambres deben hacerse dentro del calentador.



PASO 5 Monte el calentador

Vuelva a instalar la tapa del calentador y afiáncela con los cuatro tornillos que se proporcionan. Deslice el calentador al interior de la abertura. Afiáncelo al armario con tornillos (no se proporcionan) por los orificios inferiores situados en las bridas. Afiáncelo la rejilla al calentador con los tornillos que se proporcionan por los orificios superiores situados en las bridas.

PASO 6 Conecte la electricidad

Vuelva a conectar la electricidad en el tablero del panel eléctrico (cortacircuito o caja de fusibles).

Funcionamiento y mantenimiento

Parte dos

Cómo hacer funcionar el calentador

1. Una vez que se haya realizado la instalación y reestablecido la energía eléctrica, gire totalmente la perilla del termostato en sentido de las manecillas del reloj.
2. Cuando la habitación haya alcanzado un nivel cómodo, gire la perilla del termostato en sentido contrario a las manecillas del reloj hasta que el calentador se apague. El calentador se encenderá y apagará automáticamente según esta temperatura preestablecida.
3. Para reducir la temperatura del ambiente, gire la perilla en sentido contrario a las manecillas del reloj. Para aumentarla, gírela en sentido de las manecillas del reloj.

Mantenimiento

Según sea necesario, o cada seis meses como mínimo.

1. **⚠ ¡ADVERTENCIA! Antes de quitar la rejilla, desconecte la electricidad en el tablero del panel eléctrico (cortacircuito o caja de fusibles). Trabe o coloque un cartel en la puerta del tablero del panel para evitar que alguien conecte accidentalmente la energía mientras se esté trabajando en el calentador. De lo contrario podrían producirse graves golpes eléctricos, quemaduras e incluso la muerte.**
2. Antes de proceder, es importante que usted verifique que se haya desconectado la alimentación y que el calentador no reciba energía. Los cortacircuitos no suelen estar correctamente marcados, y apagar el incorrecto podría significar que sigue fluyendo electricidad al calentador, aun cuando éste parezca no estar funcionando. Si no se siente cómodo al trabajar con artefactos eléctricos, no está en condiciones de acatar estas pautas o no cuenta con los equipos necesarios, solicite los servicios de un técnico electricista calificado.
3. Una vez que verifique que se ha apagado la alimentación correctamente, prosiga con el paso siguiente.
4. Retire la perilla del termostato, si la hubiere. Retire los tornillos y extraiga la rejilla.
5. Lave la rejilla con agua caliente y jabón, y séquela de inmediato.
6. Si los hay, retire los tornillos que afianzan el conjunto del calentador a la abertura, luego tire el calentador hacia fuera para retirarlo.
7. Retire los cuatro tornillos que afianzan la tapa a la parte superior del conjunto del calentador y retire la misma.
8. Aspire totalmente el polvo, pelusas y demás suciedad acumulados en la rueda del soplador y el tomacorriente del calentador. Importante: Tenga cuidado de no dañar la rueda del soplador, y no permita que ésta gire libremente al aspirar.

9. Instale la tapa y vuelva a deslizar el conjunto del calentador al interior de la abertura. Afiance el conjunto del calentador en la abertura, luego instale la rejilla y la perrilla del termostato (si la hubiere).
10. Restablezca el suministro al calentador en el panel de cortacircuitos o la caja de fusibles, y luego pruebe el funcionamiento del calentador encendiendo el termostato y/o ajustándolo en una temperatura más alta.

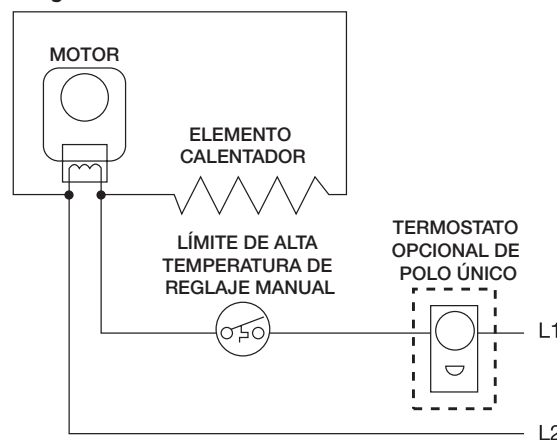
Acerca del control de límite de temperatura de reglaje manual

El calentador está protegido por un control de limitación de temperatura. El control limitador de temperatura con reglaje manual está diseñado para abrir el circuito del calentador cuando se detectan temperaturas de funcionamiento excesivas. El problema debe evaluarse y el límite debe restablecerse para que el calentador vuelva a funcionar.

Cómo restablecer el control limitador de temperatura de reglaje manual

Si el control limitador de reglaje manual ha abierto el circuito del calentador debido a temperaturas de funcionamiento excesivas, el calentador no funcionará sino hasta que se oprima el botón de límite de reglaje manual. Después de dejar que la unidad se enfríe durante unos 15 minutos y resolver el problema que causa que se disyunte el interruptor de límite (generalmente el calentador está bloqueado o necesita limpieza), utilice un objeto puntiagudo como un bolígrafo para acceder al botón de reglaje a través de la rejilla del calentador. Oprima el botón FIRMEMENTE y asegúrese de escuchar y sentir un chasquido indicando que se ha restablecido.

Diagrama de cableado



UC

Con termostato de polo único incorporado

⚠ ADVERTENCIA
Riesgo de electrocución. Conecte el conductor a tierra al cable de puesta a tierra provisto. Evite que entren objetos extraños al calentador.

⚠ ADVERTENCIA
Riesgo de incendio. El calentador debe mantenerse sin obstrucciones: un mínimo de 3 pies por delante; 6 pulgadas en cada costado. Los calentadores deben mantenerse sin pelusas, suciedad ni residuos.

⚠ ADVERTENCIA
Desconecte la electricidad en el tablero del panel eléctrico (caja de cortacircuitos o fusibles) y trabe o coloque un cartel en la puerta del tablero del panel para evitar que alguien vuelva a conectar la energía mientras se esté trabajando en el calentador. De lo contrario podrían producirse graves golpes eléctricos, quemaduras e incluso la muerte.

Tabla de resolución de problemas

CONSULTE LOS CÓDIGOS ELÉCTRICOS LOCALES PARA DETERMINAR QUÉ TRABAJOS DEBEN SER REALIZADOS POR PERSONAL DE SERVICIO ELÉCTRICO CALIFICADO

Síntoma	Problema	Solution
El interruptor se disyunta inmediatamente al encenderse el calentador.	<ol style="list-style-type: none"> 1. Voltaje de suministro incorrecto. 2. Circuito sobrecargado. 3. Hay un cortocircuito en los cables de suministro o del calentador. 4. Cortocircuito defectuoso. 	<ol style="list-style-type: none"> 1. Compruebe que el voltaje de suministro coincida con la calificación del calentador. 2. El amperaje total de todos los calentadores en un circuito de rama no debe sobrepasar el 80% de la calificación de amperaje del cortocircuito y de las calificaciones de los cables de suministro. Utilice un calentador de vatiaje inferior o reduzca la cantidad de calentadores en el circuito. 3. Los cables de suministro o del calentador que presentan cortocircuitos pueden ocasionar chispas peligrosas. Revise el aislamiento de todos los cables de suministro y del calentador para comprobar que no estén dañados. No reestablezca el cortocircuito sino hasta que se hayan reparado todos los cortocircuitos eléctricos. 4. Reemplace el cortocircuito.
El ventilador del calentador funciona pero no envía aire caliente.	<ol style="list-style-type: none"> 1. Temperatura insuficiente del elemento. 2. Voltaje de suministro incorrecto. 3. El elemento ha fallado. 	<ol style="list-style-type: none"> 1. Espere unos momentos para que el elemento alcance la temperatura de funcionamiento. 2. Compruebe que el voltaje de suministro coincida con la calificación del calentador. 3. Reemplace el elemento.
El calentador no se apaga.	<ol style="list-style-type: none"> 1. La fuga de calor de la habitación es superior a la capacidad del calentador. 2. Termostato defectuoso. 3. Termostato cableado al calentador de forma incorrecta. 	<ol style="list-style-type: none"> 1. Cierre las puertas y ventanas. Coloque aislamiento adicional o instale un calentador de mayor vatiaje o múltiples calentadores si fuese necesario (si su circuito es apto para mayor capacidad). 2. Ajuste el termostato a la graduación más baja. Si el calentador continúa funcionando (espere un par de minutos para que el termostato tenga tiempo de responder al ajuste) y la temperatura del ambiente es superior a 50 grados; reemplace el termostato. 3. Consulte la documentación del termostato y cableado correcto.
El calentador emite humo o un olor a quemado.	<ol style="list-style-type: none"> 1. Se han acumulado polvo, pelusas u otros materiales dentro del calentador. 	<ol style="list-style-type: none"> 1. Limpie el calentador (consulte las instrucciones en la sección "Funcionamiento y Mantenimiento").
El elemento calienta por un momento sin que gire el ventilador y luego deja de calentar.	<ol style="list-style-type: none"> 1. Motor o conexión interna defectuosos. 2. Ventilador o motor trabado. 	<ol style="list-style-type: none"> 1. Debe reemplazarse el calentador o el motor del ventilador. 2. Quite la obstrucción y oprima el botón de reglaje manual del calentador tras dejar que la unidad se enfríe.
El calentador no funciona.	<ol style="list-style-type: none"> 1. El termostato se ha graduado muy bajo. 2. El calentador ha disyuntado el control limitador de temperatura de reglaje manual. 3. La energía no está conectada en el cortocircuito. 4. El o los cables que van al calentador están rotos o mal conectados. 5. Termostato defectuoso. 	<ol style="list-style-type: none"> 1. Ajuste el termostato a una temperatura más alta hasta que el calentador funcione (vea el Problema No. 5 si la dificultad persiste). 2. Oprima el botón de reglaje manual (vea las instrucciones en la sección "Funcionamiento y Mantenimiento"). 3. Conecte el cortocircuito correcto en el panel principal. 4. Desconecte la energía en el cortocircuito. Revise la continuidad del cable de suministro y la conexión apropiada a los cables del calentador. 5. Se debe revisar la continuidad de todo el calentador, o bien de sus componentes a fin de determinar la causa de cualquier problema. Repare o reemplace el calentador.
El calentador disyunta continuamente el control limitador de temperatura de reglaje manual.	<ol style="list-style-type: none"> 1. Se han acumulado polvo, pelusas u otros materiales dentro del calentador. 2. El flujo de aire está bloqueado. 3. Ventilador o motor trabado. 4. Ninguna de las anteriores. 	<ol style="list-style-type: none"> 1. Limpie el calentador (consulte las instrucciones en la sección "Funcionamiento y Mantenimiento"). 2. Retire la obstrucción. Mantenga una distancia mínima de 6" de la esquina interior o de superficies adyacentes, y 3' de muebles u otros objetos situados directamente delante del calentador. 3. Retire la obstrucción y oprima el botón de reglaje manual del calentador (vea las instrucciones en la sección "Funcionamiento y Mantenimiento"). 4. Reemplace el conjunto del calentador.

Garantía

Mantenimiento: Para lograr una operación más eficaz y segura y prolongar la vida útil del calentador, lea la Guía del propietario y siga las instrucciones de mantenimiento incluidas con cada unidad. Si no le da el mantenimiento adecuado al calentador invalidará la garantía y puede hacer que el aparato funcione incorrectamente. Las garantías no son transferibles y rigen sólo para el comprador original. Los términos de la garantía se indican a continuación.

GARANTÍA LIMITADA DE DOS AÑOS: Cadet reparará o reemplazará todo elemento o motor serie Perfectoe (UC), que presente averías en un plazo de dos años a partir de la fecha de compra.

ESTAS GARANTÍAS NO SON PERTINENTES PARA:

1. Daños que sufra el producto por instalación o voltaje de suministro incorrectos;
2. Daños que sufra el producto por mantenimiento incorrecto, uso indebido, abuso, accidente o alteraciones;
3. Servicio que se le haya dado al producto por parte de personas o entidades ajenas a Cadet.
4. Casos en que no se pueda determinar la fecha de fabricación del producto;
5. Casos en que el producto resulte dañado durante el embarque por causas ajenas a Cadet.
6. LA GARANTÍA DE CADET SE LIMITA A LA REPARACIÓN O REEMPLAZO, TAL COMO SE ESTABLECE EN ESTE DOCUMENTO. CADET NO SE HARÁ RESPONSABLE POR DAÑOS A LA PROPIEDAD O DAÑOS CONSECUENTES, COMO TAMPOCO POR GASTOS ACCIDENTALES DEBIDO AL INCUMPLIMIENTO DE ESTAS GARANTÍAS ESCRITAS O DE CUALQUIER GARANTÍA EXPRESA O IMPLÍCITA.

7. EN CASO DE QUE CADET DECIDA REEMPLAZAR ALGUNA PIEZA DEL PRODUCTO CADET, LOS REPUESTOS SE REGISTRAN POR LAS MISMAS GARANTÍAS DEL PRODUCTO. LA INSTALACIÓN DE LOS REPUESTOS NO MODIFICA NI PROLONGA LAS GARANTÍAS VIGENTES. EL REEMPLAZO O REPARACIÓN DE TODO PRODUCTO O PIEZA CADET NO ORIGINA NINGÚN TIPO DE NUEVA GARANTÍA.
8. Estas garantías le otorgan derechos legales específicos y es posible que usted tenga otros derechos que varíen de un estado a otro. Cadet no asume ni autoriza a nadie que lo haga en su nombre, ninguna otra obligación o responsabilidad en relación con sus productos que no sean las que se establecen en este documento.

Si durante el período de garantía usted considera que su producto Cadet presenta defectos, comuníquese con Cadet Manufacturing Co. llamando al 360-693-2505 para obtener instrucciones sobre cómo tramitar la reparación o el reemplazo del producto. **Los reclamos de garantía presentados después de la finalización del período no serán acogidos. Los productos que se devuelvan sin autorización serán rechazados.**

Repuestos y servicio

En <http://support.cadetco.com> encontrará información sobre dónde obtener repuestos y servicio.



Reduzca-reutilice-recicle

Este producto está hecho principalmente de materiales reciclables. Puede reducir la cantidad de carbono que contribuye al medio ambiente reciclando este producto al término de su vida útil. Comuníquese con su centro local de reciclaje para obtener mayores instrucciones al respecto.

Free Manuals Download Website

<http://myh66.com>

<http://usermanuals.us>

<http://www.somanuals.com>

<http://www.4manuals.cc>

<http://www.manual-lib.com>

<http://www.404manual.com>

<http://www.luxmanual.com>

<http://aubethermostatmanual.com>

Golf course search by state

<http://golfingnear.com>

Email search by domain

<http://emailbydomain.com>

Auto manuals search

<http://auto.somanuals.com>

TV manuals search

<http://tv.somanuals.com>