

Operating Instructions

AT122601, AT125102, AT121002, and AT121102

Please read and save these instructions. Read carefully before attempting to assemble, install, operate or maintain the product described. Protect yourself and others by observing all safety information. Failure to comply with instructions could result in personal injury and/or property damage! Retain instructions for future reference.



**CAMPBELL HAUSFELD**  
BUILT TO LAST

# Sandblasting Kits

## Table of Contents

- Description ..... 1
- Unpacking ..... 1
- Safety Guidelines ..... 1
- General Safety Information ..... 1
- Assembly ..... 2
- Operation ..... 3
- Technical Service ..... 3
- Types of Abrasives ..... 4
- Suggested Uses ..... 5
- Troubleshooting Chart ..... 6
- Warranty ..... 8

## Description

Campbell Hausfeld sandblasting equipment is designed for cleaning and removing rust, scale, and paint. It is the ideal method for stripping, polishing and etching projects. This equipment can be used with sand, abrasive powders, water and other liquids.

## Unpacking

After unpacking the unit, inspect carefully for any damage that may have occurred during transit. Make sure to tighten fittings, bolts, etc., before putting unit into service.

### READ & FOLLOW ALL INSTRUCTIONS

**SAVE THESE INSTRUCTIONS  
DO NOT DISCARD**

## Safety Guidelines

This manual contains information that is very important to know and

understand. This information is provided for SAFETY and to PREVENT EQUIPMENT PROBLEMS. To help recognize this information, observe the following symbols.

**⚠ DANGER** *Danger indicates an imminently hazardous situation which, if not avoided, WILL result in death or serious injury.*

**⚠ WARNING** *Warning indicates a potentially hazardous situation which, if not avoided, COULD result in death or serious injury.*

**⚠ CAUTION** *Caution indicates a potentially hazardous situation which, if not avoided, MAY result in minor or moderate injury.*

**NOTICE** *Notice indicates important information, that if not followed, may cause damage to equipment.*

**NOTE:** Information that requires special attention.

## General Safety Information

### CALIFORNIA PROPOSITION 65

**⚠ WARNING** *This product or its power cord may contain chemicals known to the State of California to cause cancer and birth defects or other reproductive harm. Wash hands after handling.*

**⚠ WARNING** *You can create dust when you cut, sand, drill or grind materials such as wood, paint, metal, concrete, cement, or other*



*masonry. This dust often contains chemicals known to cause cancer, birth defects, or other reproductive harm. Wear protective gear.*

### STATIC ELECTRICITY

**⚠ DANGER** *Fire or Explosion Hazard! Never use a sand blaster around combustible or flammable liquids, gases, dusts, oily rags, or other materials that can explode or burn quickly. Some abrasives create sparks when they hit metal. Abrasives similar to aluminum oxide may generate static electric sparks. In an unsafe environment, these sparks will start fires or explosions that will result in death or serious personal injury. For your safety and the safety of people nearby, DO NOT USE this sand blaster where there are combustible or flammable liquids, gases, dusts, oily rags, or other materials that can explode or burn quickly.*



**⚠ CAUTION** *Static electric shocks can be painful. Some abrasives similar to aluminum oxide can create static electricity while you are sand blasting. If you are not grounded, the static electricity can build up on your body and cause a shock when you touch a metal object. You can avoid static electricity by wearing leather soled shoes and standing on the ground. If necessary, a grounded wire attached to the sand blast gun will safely remove the static electricity. Remember, you are not grounded if you are insulated from the ground. Rubber soled shoes, rubber boots, or other rubber or plastic footwear are insulators. Avoid standing on dry wood*



**REMINDER:** Keep your dated proof of purchase for warranty purposes! Attach it to this manual or file it for safekeeping.

## General Safety Information (Continued)

(like a wooden pallet) a dry mat, or dry carpet.

### GENERAL SAFETY

- Read all manuals included with this product carefully. Be thoroughly familiar with the controls and the proper use of the equipment. Follow all instructions.
- Only persons well acquainted with these rules of safe operation should be allowed to use the unit.



### ⚠ WARNING

*Do not misuse*

*this product. Excessive exposure to vibration, work in awkward positions, and repetitive work motions can cause injury to hands and arms. Stop using any tool if discomfort, numbness, tingling or pain occur, and consult a physician.*

1. Read this instruction manual before connecting this device to the compressor.
2. Safety glasses or face shield, gloves and a NIOSH approved respirator must be worn during operation. Always work in a well ventilated area.

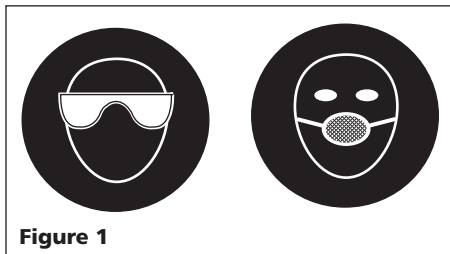


Figure 1

3. During operation, do not expose the hands or skin directly in the line of the blast nozzle.
4. After installation, inspect to make sure all components seal properly.
5. Keep children away at all times. All visitors must be kept a safe distance and wear safety glasses, gloves and a respirator.
6. Do not exceed the maximum operating pressure of the sandblasting equipment (125 psi).

### ⚠ WARNING

*Disconnect the sandblaster from the air supply before changing accessories or attempting to install, service, relocate or perform any maintenance.*

7. Check hoses and air lines for weak or worn condition before each use. Make sure all connections are secure before use.

### ⚠ WARNING

*Do not point*

*the sandblast gun at anyone or objects other than the intended work object.*

8. Do not depress the trigger when connecting the air supply hose.

### ⚠ DANGER

*Do not work*

*around oily rags or flammable liquids. Sand striking metal can cause a spark and create a fire or explosion.*

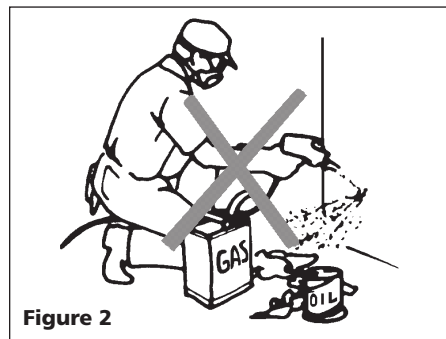


Figure 2

### ⚠ WARNING

*Do not spray*

*acids or caustics.*

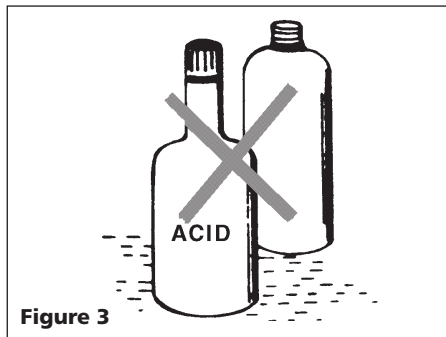


Figure 3

## Assembly

### MODEL AT122601

1. Attach material hose to the pick-up tube. Place pick-up tube in bag of medium. (See Figure 4).
2. Attach the air compressor hose to the air inlet (1/4 inch NPT(F)) at the bottom of the gun handle. An optional quick coupler and

connector can be used to attach the hose to the gun.

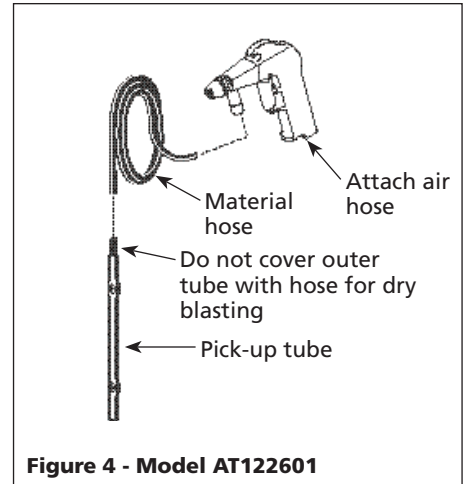


Figure 4 - Model AT122601

### MODEL AT125102

1. Attach the material hose to the hose connector. Attach the opposite end of the material hose to the gun (See Figure 5). Never use hose clamps to secure the hose.

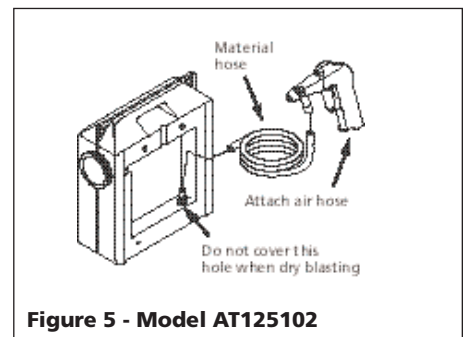


Figure 5 - Model AT125102

**NOTE:** Do not cover the hole in the hose connector for dry blasting. For spraying liquids, slip the material hose fully on to the hose connector covering the hole.

2. Attach the air compressor hose to the air inlet (1/4 inch NPT(F)) at the bottom of the gun handle. An optional quick coupler and connector can be used to attach the hose to the gun.

### MODEL AT121002

1. Attach the hose connector to the hopper using the supplied conduit nut.
2. Attach the material hose to the hose connector. Attach the opposite end of the material hose to the gun (See

**Assembly (Continued)**

Figure 6). Never use hose clamps to secure the hose.

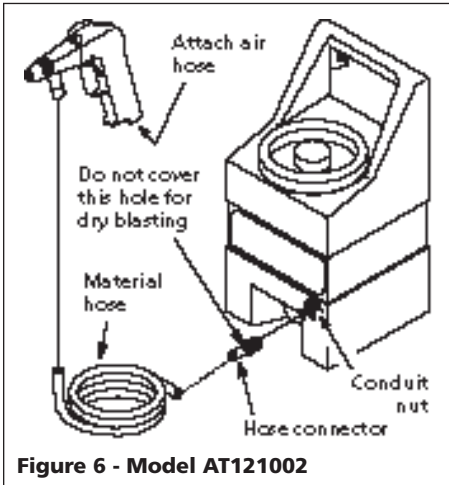


Figure 6 - Model AT121002

**NOTE:** Do not cover the hole in the hose connector for dry blasting. For spraying liquids, slip the material hose fully on to the hose connector covering the hole.

3. Attach the air compressor hose to the air inlet (1/4 inch NPT(F)) at the bottom of the gun handle. An optional quick coupler and connector can be used to attach the hose to the gun.

**ASSEMBLY FOR MODEL AT121102**

1. Slide the wheel onto the axle. (See Figure 7). Lightly hammer on the wheel cap to secure, making sure the protruding hub on the wheel is facing the hopper. Repeat for the opposite side.

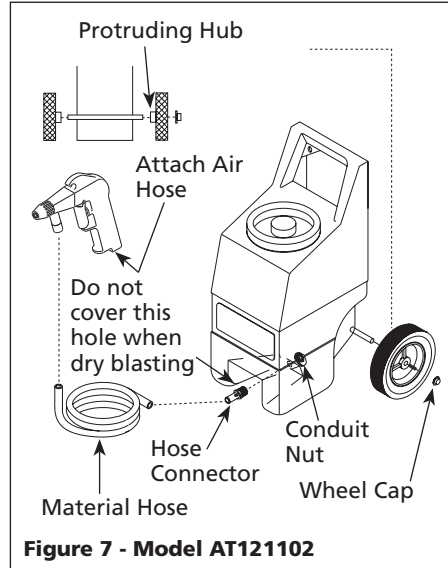


Figure 7 - Model AT121102

2. Attach the hose connector to the hopper using the supplied conduit nut.
3. Attach the material hose to the hose connector. Attach the opposite end of the material hose to the gun (See Figure 7). Never use hose clamps to secure the hose.

**NOTE:** Do not cover the hole in the hose connector for dry blasting. For spraying liquids, slip the material hose fully on to the hose connector covering the hole.

4. Attach the air compressor hose to the air inlet (1/4 inch NPT(F)) at the bottom of the gun handle. An optional quick coupler and connector can be used to attach the hose to the gun.

**Operation**

1. Locate the compressor as far away as possible from the sandblasting area to minimize the dust in the compressor intake.
2. The air supply must be clean and free of moisture and oil.
3. Use a compressor that can supply enough air (See Specifications). A compressor too small will cause air pressure to drop and the sandblaster will not operate satisfactorily.
4. Always trial test the sandblaster to make sure the job is done without damage by testing on a hidden surface.
5. Always filter (screen) the abrasive material to remove any caked material and debris to prevent clogging.
6. Do not try to spray thick liquids or large grain size abrasives.
7. Use the lowest effective pressure on soft surfaces to prevent pitting the surface.
8. Liquids, such as soap and water, can be sprayed for cleaning purposes on automobiles, lawn chairs, etc.
9. Fill the hopper with abrasive to about 3/4 full.
10. With air hose and material hose connected, and wearing proper safety equipment, aim sandblast gun at surface and pull trigger.
11. Whenever the nozzle is removed and cleaned or replaced, use a brush to clean the threads and replace the o-ring.

**Technical Service**

For information regarding the operation or repair of this product, please call 1-800-543-6400.

Type of Abrasive (Sieve/Size)	Application
Sand (20-40)	General purpose use. Removing light rust and paint from metal, wood or other surfaces; wood finishing; metal cleaning; glass and stone etching; hole drilling in glass, brick or cement block; light stone cleaning; exterior automotive parts cleaning and water deposit removal
Sand 50-100)	Used for a fine polish finish or antique wood finish, brass and silver polishing, automotive parts cleaning and polishing, sheet metal surface polishing, and fine glass etching
Aluminum oxide	Heavy rust removal and rough surface paint removal
Corn cob meal	Wood and glass cleaning (fine)
Walnut or pecan shells (ground)	Wood and glass cleaning (coarse)
Plastic beads	Removal of flash, burrs and paint from metal or glass without abrading work
<b>NOTE:</b> Abrasive media that has not been cleaned and screened could contain material that will clog the gun nozzle and should be avoided.	

**MOISTURE IN COMPRESSED AIR**

Moisture in compressed air will form into droplets as the air comes from the compressor pump. When humidity is high or when a compressor is in continuous use for an extended period of time, moisture will collect in the tank. When using a sandblast gun, this water will be carried from the tank through the hose and out of the gun as droplets mixed with the material being sprayed.

**IMPORTANT:** THIS CONDENSATION WILL CAKE THE SAND AND CLOG THE SANDBLASTING GUN. A CLOGGED GUN WILL NOT OPERATE.

A compressed air dryer and/or air line filter will help eliminate this moisture.

**Suggested Uses**

<b>Type of Abrasive (Sieve/Size)</b>	<b>Application</b>	<b>Distance from Work</b>	<b>PSI</b>	<b>Suggestions</b>
Sand (30-50) Glass beads	Etching and drilling holes in glass	1 - 4 inches	40 - 90	Move gun back and forth over the template in a brushing manner. Blast at a 90° angle. For fine polishing, use glass beads for the abrasive. For drilling holes, use 30 sieve sand.
Sand (40) Ground walnut shells	Antiquing or weathering wood	2 - 6 inches	40 - 90	Use brushing strokes and watch the abrasion rate carefully. Soft wood will wear faster than hardwood. Smaller grit sizes gives smoother finish. Start with low pressure and gradually build up pressure. Blast at a 45° angle.
Sand (50-100) Glass beads, ground walnut shells	Wood sanding and refinishing furniture	1 - 6 inches	40 - 70	Use brushing strokes and watch the abrasion rate carefully. Use walnut shells for coarse finishing and glass beads or fine sand for fine finishing. Blast at a 45° angle.
Sand (20-40)	Cleaning barbeque grills and iron pots	1 - 4 inches	50 - 125	Be sure to mask any glass or painted surface that could be accidentally damaged. Blast at a 80 - 90° angle.
Sand (20-40) Aluminum oxide	Cleaning automotive parts	1 - 4 inches	40 - 80	Use larger grit sand on a hidden area. If the base material is being damaged, use a smaller grit. Blast at a 80 - 90° angle.
Sand (20-40)	Cleaning and stripping masonry	1 - 4 inches	50 - 125	Use a heavy grit sand with a sweeping overlapping stroke. Blast at a 80 - 90° angle.
Ground pecan or walnut shells and corn cob meal	Cleaning or preparing for paint	1 - 6 inches	40 - 125	Use brushing strokes and watch the abrasion rate carefully. Soft wood will wear faster than hard wood. Smaller grit sizes give a smoother finish. Start with low pressure and gradually build up pressure. Blast at a 45 - 60° angle.
Sand (20-50) Aluminum oxide (50-80)	Cleaning or stripping outdoor equipment	1 - 3 inches	50 - 125	Remove flaking paint first with wire brush, then sandblast with a heavy grit abrasive. Multiple layer of old paint should be scraped first. Prime immediately following sandblasting to prevent corrosion. Blast at a 45 - 60° angle.

## Troubleshooting Chart

Symptom	Possible Cause(s)	Corrective Action
Low or no air pressure	<ol style="list-style-type: none"> <li>1. Regulator set incorrectly</li> <li>2. Pinched hose</li> <li>3. Dirty compressor filter</li> </ol>	<ol style="list-style-type: none"> <li>1. Reset regulator</li> <li>2. Straighten hose</li> <li>3. Clean or replace filter</li> </ol>
Material not blasting from gun	<ol style="list-style-type: none"> <li>1. Clogged material hose</li> <li>2. Buildup around jet</li> <li>3. Damp or heavy material</li> <li>4. Water in air supply</li> </ol>	<ol style="list-style-type: none"> <li>1. Lower the pressure below 40 psi. Firmly hold the gun tip flat against the ground and pull the trigger to force the material back out of the material hose</li> <li>2. Remove nozzle and clean around jet</li> <li>3. Replace with dry abrasive. (Damp material can be dried and reused)</li> <li>4. Drain air tank and install air filter, See "Moisture in Compressed Air" box</li> </ol>
Gun will not shut off - trigger stuck	Damaged o-rings in air valve	Remove and replace o-rings
Sputtering - low vacuum	<ol style="list-style-type: none"> <li>1. Worn jet and/or nozzle</li> <li>2. Abrasive buildup around jet/nozzle</li> </ol>	<ol style="list-style-type: none"> <li>1. Replace jet and/or nozzle</li> <li>2. Remove nozzle and jet and clean. Make sure the threads are clean before re-assembling</li> </ol>
Sputtering - air/abrasive leaks at nozzle/jet area	<ol style="list-style-type: none"> <li>1. Loose nozzle or jet</li> <li>2. Damaged o-ring</li> </ol>	<ol style="list-style-type: none"> <li>1. Tighten nozzle or jet</li> <li>2. Replace o-ring</li> </ol>
Sputtering - vacuum leak	<ol style="list-style-type: none"> <li>1. Loose material hose</li> <li>2. Damaged o-ring</li> </ol>	<ol style="list-style-type: none"> <li>1. Tighten material hose</li> <li>2. Replace o-ring</li> </ol>
Sputtering - particle clogging	Hose connector hole is covered	Uncover hose connector hole



## Limited Warranty

1. **DURATION:** From the date of purchase by the original purchaser as follows: for five (5) years, with exceptions noted below.
2. **WHO GIVES THIS WARRANTY (WARRANTOR):** Maxus, 100 Production Drive, Harrison, Ohio, 45030, Telephone: (888) Maxus4U – www.maxustools.com
3. **WHO RECEIVES THIS WARRANTY (PURCHASER):** The original purchaser (other than for purposes of resale) of the Maxus product.
4. **WHAT PRODUCTS ARE COVERED BY THIS WARRANTY:** Any Maxus abrasive blaster supplied or manufactured by Warrantor.
5. **WHAT IS COVERED UNDER THIS WARRANTY:** Defects due to material and workmanship with the exceptions noted below.
6. **WHAT IS NOT COVERED UNDER THIS WARRANTY:**
  - A. Implied warranties, including those of merchantability and FITNESS FOR A PARTICULAR PURPOSE ARE LIMITED FROM THE DATE OF ORIGINAL PURCHASE AS STATED IN THE DURATION. If this product is used for rental purposes, the warranty will apply for ninety (90) days from the date of purchase. Some States do not allow limitations on how long an implied warranty lasts, so the above limitations may not apply to you.
  - B. ANY INCIDENTAL, INDIRECT, OR CONSEQUENTIAL LOSS, DAMAGE, OR EXPENSE THAT MAY RESULT FROM ANY DEFECT, FAILURE, OR MALFUNCTION OF THE PRODUCT. Some States do not allow the exclusion or limitations of incidental or consequential damages, so the above limitation or exclusion may not apply to you.
  - C. Any failure that results from an accident, purchaser's abuse, neglect or failure to operate products in accordance with instructions provided in the owner's manual(s) supplied with product.
  - D. Pre-delivery service, i.e. assembly, filtration, and adjustment.
  - E. Normal adjustments or expendable items which are explained in the owner's manual(s) provided with the product including but not limited to parts subject to normal wear such as nozzles, air jets, seal blocks, valves, o-rings, hose connections, hoses and blast gun.
  - F. Items or service that require periodic replacement to maintain the product, i.e. filters, gaskets, valves, etc.
  - G. Additional items not covered under this warranty:
    - a. Any component damaged in shipment or any failure caused by installing or operating unit under conditions not in accordance with installation and operation guidelines.
    - b. Failure caused by rain, excessive humidity or corrosive environments.
    - c. Cosmetic defects that do not interfere with blaster functionality.
    - d. Rusted tanks, including but not limited to rust due to improper cleaning/storage.
    - e. Other items not listed but considered general wear parts.
7. **RESPONSIBILITIES OF WARRANTOR UNDER THIS WARRANTY:** Repair or replace, at Warrantor's option, products or components which are defective, have malfunctioned and/or failed to conform within duration of the warranty period.
8. **RESPONSIBILITIES OF PURCHASER UNDER THIS WARRANTY:**
  - A. Provide dated proof of purchase and maintenance records.
  - B. Call Maxus (888-629-8748) to obtain your warranty service options. Freight costs must be borne by the purchaser.
  - C. Use reasonable care in the operation and maintenance of the products as described in the owner's manual(s).
9. **WHEN WARRANTOR WILL PERFORM REPAIR OR REPLACEMENT UNDER THIS WARRANTY:** Repair or replacement will be scheduled and serviced according to the normal work flow at the servicing location, and depending on the availability of replacement parts.

Limited Warranty applies in the U.S., Canada and Mexico only and gives you specific legal rights. You may also have other rights which vary from State to State or country to country.



*Veillez lire et conserver ces instructions. Lire attentivement avant de commencer à assembler, installer, faire fonctionner ou entretenir l'appareil décrit. Protégez-vous et les autres en observant toutes les informations sur la sécurité. Négliger d'appliquer ces instructions peut résulter en des blessures corporelles et/ou en des dommages matériels ! Conserver ces instructions pour références ultérieures.*



# Jeux de Décapage au Sable

## Table des matières

Description .....	9
Déballage .....	9
Directives de Sécurité .....	9
Généralités sur la Sécurité .....	9
Montage .....	10
Fonctionnement .....	11
Service Technique .....	11
Type D'Abrasif .....	12
Usages Suggérés .....	13
Tableau de dépannage .....	14
Garantie .....	16

## Description

L'équipement pour décapage au sable Campbell Hausfeld est conçu pour nettoyer et enlever la rouille, les écailles et la peinture. C'est la méthode idéale pour le dégarnissage, le polissage et le décapage. Cet équipement peut être utilisé avec le sable, les poudres abrasives, l'eau et autres liquides.

## Déballage

Dès que l'appareil est déballé, l'inspecter attentivement pour tout signe de dommages en transit. S'assurer de resserrer tous les raccords, boulons, etc. avant de le mettre en service.

**LIRE ET SUIVRE TOUTES LES INSTRUCTIONS**

**CONSERVER CES INSTRUCTIONS NE LES JETEZ PAS**

## Directives de Sécurité

Ce manuel contient de l'information très importante qui est fournie pour

la SÉCURITÉ et pour ÉVITER LES PROBLÈMES D'ÉQUIPEMENT. Rechercher les symboles suivants pour cette information.

### **▲ DANGER**

*Danger indique*

**une situation hasardeuse imminente qui RÉSULTERA en perte de vie ou blessures graves.**

### **▲ AVERTISSEMENT**

**Avertissement indique une situation hasardeuse potentielle qui PEUT résulter en perte de vie ou blessures graves.**

### **▲ ATTENTION**

*Attention indique*

**une situation hasardeuse potentielle qui PEUT résulter en blessures.**

### **AVIS**

*Avis indique*

**de l'information importante pour éviter le dommage de l'équipement.**

**REMARQUE :** L'information qui exige une attention spéciale.

## Généralités sur la Sécurité

### PROPOSITION 65 DE CALIFORNIE

### **▲ AVERTISSEMENT**

*Ce produit*

**ou son cordon peuvent contenir des produits chimiques qui, de l'avis de l'État de Californie, causent le cancer et des anomalies congénitales ou autres problèmes de reproduction. Lavez-vous les mains après la manipulation.**

### **▲ AVERTISSEMENT**

**Vous pouvez créer de la poussière en coupant, ponçant, perçant ou meulant les matériaux tels que le bois, la peinture, le métal, le béton, le ciment ou autre maçonnerie. Cette poussière contient souvent des produits**



**chimiques reconnus pour causer le cancer, les déformations congénitales ou autres problèmes de la reproduction. Porter de l'équipement de protection.**

## ÉLECTRICITÉ STATIQUE

### **▲ DANGER**

**Risque d'explosion et d'incendie ! Ne jamais utiliser de sableuse autour de liquides, gaz, poussières, chiffons huileux ou autres matériaux combustibles ou inflammables qui pourraient exploser ou brûler rapidement. Certains abrasifs créent des étincelles en frappant le métal. Des abrasifs semblables à l'oxyde d'aluminium peuvent provoquer des étincelles électriques statiques. Dans un milieu dangereux, ces étincelles provoqueront des incendies ou des explosions menant à de graves blessures ou à la mort. Pour la sécurité de l'utilisateur et celle des personnes dans les environs, NE PAS UTILISER cette sableuse à des endroits où il y a des liquides, gaz, poussières, chiffons huileux ou autres matériaux combustibles ou inflammables qui pourraient exploser ou brûler rapidement.**



### **▲ CAUTION**

**Les chocs d'électricité statique peuvent être douloureux. Certains abrasifs semblables à l'oxyde d'aluminium peuvent créer de l'électricité statique en sablant. Si vous n'êtes pas mis à la terre, l'électricité statique peut s'accumuler sur votre corps et provoquer un choc lorsque vous touchez un objet métallique. Vous pouvez éviter l'électricité statique en portant des chaussures à semelles en cuir et en vous tenant sur le sol. Si nécessaire, un**



**MÉMENTO:** Gardez votre preuve datée d'achat à fin de la garantie!  
Joignez-la à ce manuel ou classez-la dans un dossier pour plus de sécurité.

## Généralités sur la Sécurité (Suite)

*fil mis à la terre attaché au pistolet de sablage retirera sans danger l'électricité statique. N'oubliez pas que vous n'êtes pas mis à la terre si vous êtes isolé du sol. Les souliers à semelle de caoutchouc, les bottes de caoutchouc ou autres chaussures de caoutchouc ou de plastique sont des isolants. Évitez de vous tenir sur un bois sec (comme une palette en bois), un tapis sec ou une carpe sèche.*

### GÉNÉRALITÉS SUR LA SÉCURITÉ

- Lire attentivement tous les manuels inclus avec ce produit. Bien se familiariser avec les commandes et la bonne utilisation de l'équipement. Suivez toutes les instructions.
- Seules les personnes familières avec ces règles d'utilisation sans danger devraient utiliser cette unité.



### ⚠ AVERTISSEMENT

**Ne pas abuser de ce produit. Toute exposition excessive à la vibration, tout travail dans les positions mal à l'aise et les motions de travail à répétition peuvent provoquer des blessures aux mains et aux bras. Cesser d'utiliser tout outil si l'on ressent un malaise, un engourdissement, un fourmillement ou une douleur et consulter un médecin.**

1. Lire ce manuel avant de brancher cet appareil au compresseur.
2. Il est nécessaire de porter des lunettes de sécurité ou un écran pour visage, des gants et un respirateur approuvé par NIOSH pendant le fonctionnement. Toujours travailler dans un endroit bien ventilé.

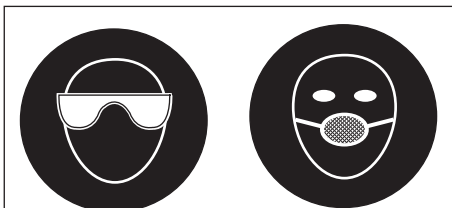


Figure 1

3. Ne pas exposer les mains ou la peau dans le chemin de la buse de décapage pendant son fonctionnement.

4. Inspecter les pièces détachées après l'installation pour assurer un branchement sûr.
5. Ne jamais permettre les enfants dans l'endroit de travail. Tous les visiteurs doivent se tenir à distance et doivent porter des lunettes de sécurité, des gants et un respirateur.
6. Ne pas dépasser la pression de service maximale de cet équipement de décapage (862 kPa).

### ⚠ AVERTISSEMENT

**Débrancher l'équipement de décapage de la source d'air avant de changer les accessoires ou avant d'essayer d'installer, de déplacer ou de procéder à l'entretien.**

7. Vérifier les tuyaux et les canalisations d'air pour rechercher tout signe de faiblesse ou d'usure avant chaque utilisation. Assurer que tous les raccords sont sûrs avant l'utilisation.

### ⚠ AVERTISSEMENT

**Ne pas diriger le pistolet de décapage vers une personne ou autre objet.**

8. Ne pas appuyer sur la gâchette pendant le branchement du tuyau d'air.

### ⚠ DANGER

**Ne pas travailler près des torchons huileux ou des liquides inflammables. Le sable qui contact le métal peut produire une étincelle qui peut résulter en feu ou en explosion.**

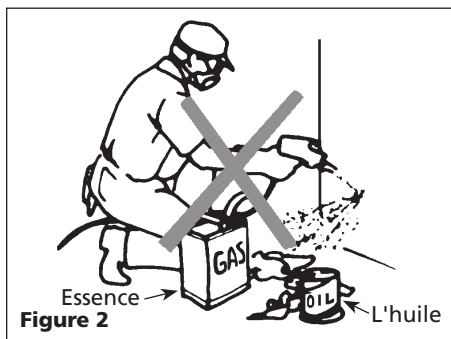


Figure 2

### ⚠ AVERTISSEMENT

**Ne pas pulvériser les produits acides ou caustiques.**

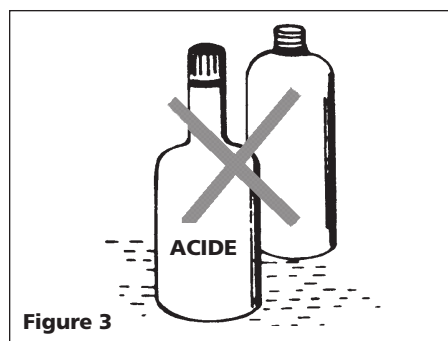


Figure 3

## Montage

### MODÈLE AT122601

1. Attacher le tuyau de matériel au tuyau de recueil. Placer le tuyau de recueil dans le sac de matériel. (Voir Figure 4).

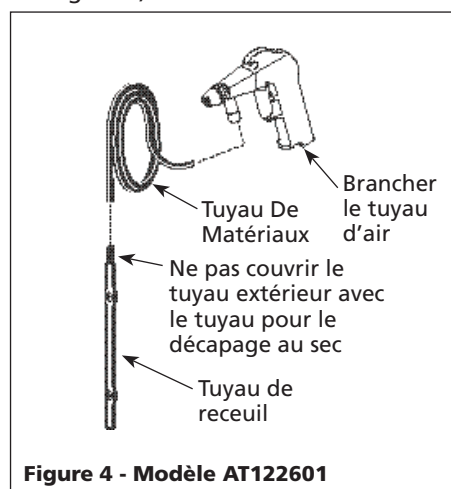


Figure 4 - Modèle AT122601

2. Fixer le tuyau du compresseur d'air à l'arrivée d'air (1/4 po NPT(F)) au fond du manche du pistolet. Un raccord rapide facultatif peut être utilisé pour fixer le tuyau au pistolet.

### MODÈLE AT125102

1. Brancher le tuyau flexible de matériaux au raccord. Brancher l'autre sens du tuyau de matériaux au pistolet (Voir Figure 5). Ne jamais utiliser des colliers de serrage pour fixer le tuyau.

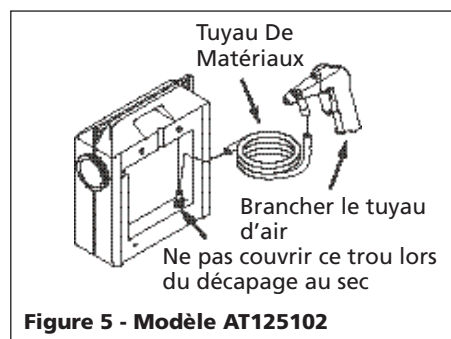


Figure 5 - Modèle AT125102

## Montage (Suite)

**NOTE:** Ne pas couvrir le trou dans le raccord de tuyau flexible pour le décapage sec. Pour pulvériser des liquides, glisser le tuyau de matériel complètement sur le raccord de tuyau et couvrir le trou.

2. Fixer le tuyau du compresseur d'air à l'arrivée d'air (1/4 po NPT(F)) au fond du manche du pistolet. Un raccord rapide facultatif peut être utilisé pour fixer le tuyau au pistolet.

### MODÈLE AT121002

1. Fixer le raccord de tuyau à la trémie en se servant de l'écrou de conduit.
2. Brancher le tuyau de matériaux au raccord de tuyau flexible. Brancher l'autre sens du tuyau de matériaux au pistolet (Voir Figure 6). Ne jamais utiliser des colliers de serrage pour fixer le tuyau.

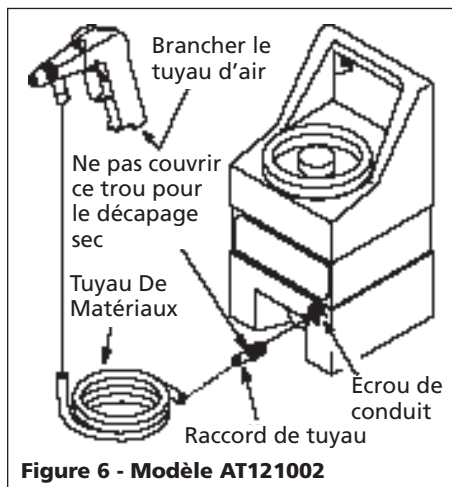


Figure 6 - Modèle AT121002

**REMARQUE:** Ne pas couvrir le trou dans le raccord de tuyau pour le décapage sec. Pour pulvériser les liquides, glisser le tuyau de matériel complètement sur le raccord de tuyau couvrant le trou.

3. Fixer le tuyau du compresseur d'air à l'arrivée d'air (1/4 po NPT(F)) au fond du manche du pistolet. Un raccord rapide facultatif peut être utilisé pour fixer le tuyau au pistolet.

### MODÈLE AT121102

1. Glisser la roue sur l'arbre de roue. (Voir Figure 7). Cogner légèrement au marteau sur le capuchon de roue pour fixer, s'assurant que le moyeu saillant fait face à la trémie. Répéter pour le côté opposé.

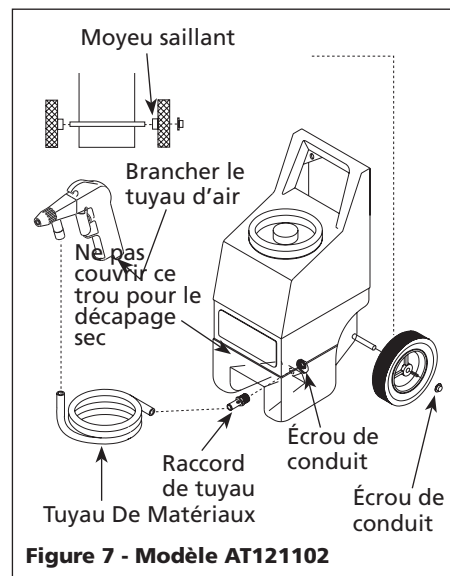


Figure 7 - Modèle AT121102

2. Fixer le raccord de tuyau à la trémie à l'aide de l'écrou de conduit fournit.
3. Brancher le tuyau de matériaux au raccord du tuyau flexible. Brancher le sens opposé du tuyau flexible au pistolet (Voir Figure 7). Ne jamais utiliser des colliers de serrage pour fixer le tuyau.

**REMARQUE:** Ne pas couvrir le trou dans le raccord de tuyau flexible pour le décapage sec. Pour pulvériser les liquides, glisser le tuyau de matériel complètement sur le raccord de tuyau, couvrant le trou.

4. Fixer le tuyau du compresseur à l'arrivée d'air (1/4 po NPT(F)) au fond du manche du pistolet. Un raccord rapide facultatif peut être utilisé pour fixer le tuyau au pistolet.

## Fonctionnement

1. Situer le compresseur d'air aussi loin que possible de l'endroit de décapage afin de réduire la poussière dans l'arrivée du compresseur.
2. La source d'air doit être propre et libre d'humidité et d'huile.
3. Utiliser un compresseur qui peut fournir assez d'air (Voir la section Spécifications). Un compresseur trop petit peut causer une perte de pression et l'appareil de décapage ne fonctionnera pas bien.
4. Toujours mettre l'appareil pour le décapage à l'épreuve sur une surface cachée avant d'utiliser pour votre projet.
5. Toujours tamiser (filtrer) les matériaux abrasifs pour enlever le matériel sec et le débris pour empêcher le blocage.
6. Ne pas essayer de pulvériser les liquides épais ou les abrasifs à gros grains.
7. Utiliser une pression basse sur les objets doux afin d'éviter la pîque.
8. Les liquides tels que le savon et l'eau peuvent être pulvérisés pour laver les automobiles, lawn chairs, etc.
9. Remplir la trémie d'abrasif au 3/4 plein.
10. Avec les tuyaux d'air de matériel branchés, et en portant des lunettes de sécurité convenables, diriger le pistolet pour décapage au sable vers la surface et tirer la gâchette.
11. Lorsque la buse est enlevée et nettoyée ou remplacée, utiliser une brosse pour nettoyer les filets et remplacer le joint torique.

## Service Technique

Pour des informations concernant le fonctionnement ou la réparation de ce produit, composer le 1-800-543-6400.

Type D'Abrasif (Taille/Crible)	Application
Sable (20-40)	Usage général. Enlevage de la rouille légère et de la peinture du métal, bois ou autres surfaces; la finition du bois; le nettoyage du métal; la gravure de verre et de pierre; le perçage des trous dans le verre, la brique ou blocs de béton; le nettoyage de pierre léger; le nettoyage et enlevage des dépôts d'eau des pièces d'automobiles
Sable (50-100)	Utiliser pour un fini fin ou pour la finition des antiques, le polissage du laiton et de l'argenterie, le nettoyage et le polissage des pièces d'automobiles, le polissage de surface de tôle et la gravure du verre fin
Alumine	L'enlevage de la rouille lourde et de surfaces de peinture rugueuses
Poudre d'épi de maïs	Le nettoyage du bois et du verre (fin)
Écales de noix ou de pacanes (moulus)	Le nettoyage du bois et du verre (brut)
Perles en plastique	L'enlevage de la brocaille, la bavure et la peinture du métal ou de verre sans frotter l'objet de travail.

**REMARQUE:** Éviter l'abrasif qui n'a pas été nettoyé et criblé car il peut contenir du matériel qui peut obstruer la buse du pistolet.

#### L'HUMIDITÉ DANS L'AIR COMPRIMÉ

L'humidité dans l'air comprimé peut former des gouttelettes où l'air sort de la pompe du compresseur. L'humidité peut s'accumuler dans le réservoir quand l'humidité est haute ou si un compresseur est utilisé continuellement ou pour un temps prolongé. Pendant l'utilisation d'un pistolet pour le décapage au sable, cet eau se transportera du réservoir à travers du tuyau et hors du pistolet en forme de gouttelettes mélangées avec le matériel utilisé.

**IMPORTANT:** CETTE CONDENSATION PEUT CAUSER L'AGGLUTINAGE DU SABLE ET PEUT OBSTRUER LE PISTOLET. UN PISTOLET OBSTRUÉ NE FONCTIONNERA PAS.

Un sècheur pour air comprimé et/ou un filtre en canalisation peut aider à éliminer l'humidité.

Usages Suggérés

Type D'Abrasif (Sieve/Size)	Application	Distance du Travail	kPa	Suggestions
Sable (30-50) Perles en verre	Gravure et perçage des trous dans le verre	1 - 4 po	276 - 621	Diriger le pistolet en avant et en arrière sur le patron de manière "brossage". Décaper à un angle de 90°. Pour le polissage fin, utiliser des perles en verre. Pour le perçage des trous, utiliser le sable 30.
Sable (40) Écales de noix	Les finis antique et la patine de bois	2 - 6 po	276 - 621	Utiliser des coups de brossage et observer le taux d'abrasion soigneusement. Le bois tendre s'usera plus vite que le bois dur. La taille de particules plus petite donne un fini plus fin. Commencer avec la pression basse et augmenter la pression graduellement. Décaper à un angle de 45°.
Sable (50-100) Perles en verre, écales de noix moulus	Sablage du bois et la finition des meubles	1 - 6 po	276 - 483	Utiliser des coups de brossage et observer le taux d'abrasion soigneusement. Utiliser des écales de noix pour la finition rude et les perles en verre ou du sable fin pour un fini fin. Décaper à un angle de 45°.
Sable (20-40)	Le nettoyage des barbecues et des marmites en fer	1 - 4 po	345 - 862	Protéger toutes surfaces en verre ou surfaces peintes qui peuvent être endommagées. Décaper à un angle de 80-90°.
Sable (20-40) Alumine	Le nettoyage des barbecues et des marmites en fer	1 - 4 po	276 - 552	Utiliser des particules plus larges sur une surface cachée. Si le matériel est endommagé, essayer une taille de particules plus petite. Décaper à un angle de 80-90°.
Sable (20-40)	Nettoyage et le décapage de la maçonnerie	1 - 4 po	345 - 862	Utiliser le sable à particules larges avec un coup allongé et chevauché. Décaper à un angle de 80-90°.
Écales de pacanes et de noix moulus et poudre d'épi de maïs	Nettoyage ou préparation pour la peinture	1 - 6 po	276 - 862	Utiliser des coups de brossage et observer le taux d'abrasion soigneusement. Le bois tendre s'usera plus vite que le bois dur. Les tailles de particules plus petites donnent un fini plus fin. Commencer avec une basse pression et l'augmenter graduellement. Décaper à un angle de 45-60°.
Sable (20-50) Alumine (50-80)	Nettoyage ou décapage d'équipement de plein air	1 - 3 po	345 - 862	Enlever la peinture qui s'écaille avec une brosse métallique et procéder avec le décapage au sable avec un abrasif lourd. Les couches multiples de peinture doivent être grattées avant le décapage. Apprêter immédiatement après le décapage pour éviter la corrosion. Décaper à un angle de 45-60°.

**Tableau de dépannage**

<b>Symptôme</b>	<b>Cause(s) possible(s)</b>	<b>Action corrective</b>
Pression d'air basse ou manque de pression	1. Réglage du régulateur incorrect	1. Régler à nouveau le régulateur
	2. Tuyau pincé	2. Ranger le tuyau
	3. Filtre de compresseur sale	3. Nettoyer ou remplacer le filtre
Le matériel ne sort pas du pistolet	1. Tuyau flexible de matériaux obstrué	1. Baisser la pression sous 276 kPa. Tenir le bout du pistolet contre la terre et tirer la gâchette afin de forcer le matériel du tuyau
	2. Accumulation autour du jet	2. Enlever la buse et nettoyer autour du jet
	3. Matériel trempé ou lourd	3. Remplacer avec de l'abrasif sec (l'abrasif trempé peut être séché et utilisé à nouveau)
	4. Eau dans l'air	4. Vider le réservoir d'air et installer un filtre d'air, voir la section "Humidité dans L'air Comprimé"
Gâchette grippée - Pistolet ne s'arrête pas	Joints toriques dans la soupape d'air endommagés	Enlever et remplacer les joints toriques
Crépitement - vide bas	1. Jet et/ou buse usé(s)	1. Remplacer le jet et/ou la buse
	2. Accumulation d'abrasif autour du jet/ buse	2. Enlever la buse et le jet et les nettoyer. Assurer que les filets sont propres avant d'assembler à nouveau
Crépitement - Fuite d'air/ abrasif à l'endroit de la buse/jet	1. Buse ou jet dégagé(s)	1. Serrer la buse ou le jet
	2. Joint torique endommagé	2. Remplacer le joint torique
Crépitement - fuite de vide	1. Tuyau de matériaux dégagé	1. Serrer le tuyau de matériaux
	2. Joint torique endommagé	2. Remplacer le joint torique
Crépitement - obstruction de particules	Trou du raccord de tuyau couvert	Découvrir le trou du raccord de tuyau



## Garantie Limitée

1. **DURÉE** : De la date d'achat de l'acheteur original comme suit : pendant cinq (5) ans avec les exceptions indiquées plus bas.
2. **QUI OFFRE CETTE GARANTIE (GARANT)** : Maxus, 100 Production Drive, Harrison, Ohio, 45030, Téléphone : (888) Maxus4U – www.maxustools.com
3. **QUI REÇOIT CETTE GARANTIE (ACHETEUR)** : L'acheteur original (sauf en cas de revente) du produit Maxus.
4. **QUELS PRODUITS SONT COUVERTS SOUS CETTE GARANTIE** : Tout souffleur abrasif Maxus fourni ou fabriqué par le garant.
5. **CE QUI EST COUVERT PAR LA PRÉSENTE GARANTIE** : Défauts de matériau et de fabrication avec les exceptions indiquées ci-dessous.
6. **LA PRÉSENTE GARANTIE NE COUVRE PAS :**
  - A. Les garanties implicites, y compris celles de commercialité et D'ADAPTATION À UNE FONCTION PARTICULIÈRE SONT LIMITÉES À PARTIR DE LA DATE D'ACHAT INITIALE TELLE QU'INDIQUÉE DANS LA SECTION DURÉE. Si ce produit est utilisé à des fins de location, la garantie s'applique pendant quatre-vingt-dix (90) jours de la date d'achat. Certaines Provinces (États) n'autorisent pas de limitations de durée pour les garanties implicites, donc les limitations précédentes peuvent ne pas s'appliquer.
  - B. TOUT DOMMAGE, PERTE OU DÉPENSE FORTUIT, INDIRECT OU CONSÉCUTIF POUVANT RÉSULTER DE TOUT DÉFAUT, PANNE OU MAUVAIS FONCTIONNEMENT DU PRODUIT. Quelques Provinces (États) n'autorisent pas l'exclusion ni la limitation des dommages fortuits ou indirects. La limitation ou l'exclusion précédente peut donc ne pas s'appliquer.
  - C. Toute panne résultant d'un accident, d'une utilisation abusive, de la négligence ou d'une utilisation de l'acheteur ne respectant pas les instructions données dans le(s) manuel(s) accompagnant le produit.
  - D. Service pré-livraison soit l'assemblage, la filtration et l'ajustement.
  - E. Les ajustements normaux ou les articles non réutilisables expliqués dans le(s) manuel(s) du propriétaire fourni(s) avec le produit y compris, mais sans s'y limiter, les pièces sujettes à l'usure normale comme les embouts, les jets d'air, les blocs étanches, les soupapes, les joints toriques, les connexions de tuyau, les tuyaux et les pistolets de sablage.
  - F. Articles ou services qui sont exigés pour l'entretien normal du produit, soit filtres, joints d'étanchéité, soupapes, etc.
  - G. Articles supplémentaires qui ne sont pas couverts sous cette garantie :
    - a. Tout composant endommagé pendant l'expédition ou par n'importe quelle panne causée par un montage ou fonctionnement de l'appareil sous des conditions qui ne se conforment pas aux directives de montage et de fonctionnement.
    - b. La défaillance causée par la pluie, l'humidité excessive ou des environnements corrosifs.
    - c. Les défauts cosmétiques qui n'ont pas d'effet sur le fonctionnement du souffleur.
    - d. Les réservoirs rouillés, y compris, mais sans s'y limiter, la rouille causée par le nettoyage/rangement inapproprié.
    - e. Autres articles non indiqués mais considérés pièces d'usure générale.
7. **RESPONSABILITÉS DU GARANT AUX TERMES DE CETTE GARANTIE** : Réparation ou remplacement, au choix du Garant, de produits ou composants défectueux, ont connu une défaillance ou qui ne sont pas conformes pendant la durée de validité de la garantie.
8. **RESPONSABILITÉS DE L'ACHETEUR AUX TERMES DE CETTE GARANTIE :**
  - A. Fournir une preuve d'achat datée et un état d'entretien.
  - B. Livraison ou expédition du produit ou de la pièce Maxus au Centre De Service Autorisé Campbell Hausfeld. Taux de frais, si applicables, sont la responsabilité de l'acheteur.
  - C. Utilisation et entretien du produit avec un soin raisonnable, ainsi que le décrit le(s) manuel(s) d'utilisation.
9. **LORSQUE LE GARANT FOURNIT LA RÉPARATION OU LE REMPLACEMENT SOUS LA GARANTIE** : La réparation ou le remplacement se fera et sera établi conformément au déroulement du travail normal du centre de service et selon la disponibilité des pièces de rechange.

Cette Garantie limitée s'applique aux É.-U., au Canada, et Le Mexique seulement et vous donne des droits juridiques précis. Vous pourriez aussi avoir d'autres droits qui varient d'une province, d'un état ou d'un pays à l'autre.



Por favor lea y guarde estas instrucciones. Léalas cuidadosamente antes de tratar de montar, instalar, operar o dar mantenimiento al producto aquí descrito. Protéjase usted mismo y a los demás observando toda la información de seguridad. ¡El no cumplir con las instrucciones puede ocasionar daños, tanto personales como a la propiedad! Guarde estas instrucciones para referencia en el futuro.



# Juegos de Rociadoras de Arena

## Índice

Descripción .....	17
Desempaque .....	17
Medidas de Seguridad .....	17
Informaciones Generales de Seguridad .....	17
Ensamblaje .....	18
Funcionamiento .....	19
Assistència Técnica .....	19
Tipo de Abrasivo .....	20
Usos Sugeridos .....	21
Guía de Diagnóstico de Averías .....	22
Garantía .....	24

## Descripción

Las rociadoras de arena Campbell Hausfeld están diseñadas para trabajos de limpieza, eliminación de óxido, desengrafar y eliminación de pinturas. Es un método ideal para desengrafar, pulir y grabar al agua fuerte. Esta pistola se puede utilizar con arena, polvos abrasivos, agua y otros líquidos.

## Desempaque

Al desempacar este producto, revíselo con cuidado para cerciorarse de que esté en perfecto estado. Cericiórese de apretar todas las conexiones, pernos, etc. antes de comenzar a utilizar la unidad.

**LEA Y SIGA TODAS LAS INSTRUCCIONES**

**GUARDE ESTAS INSTRUCCIONES NO LAS DESECHE**

## Medidas de Seguridad

Este manual contiene información que es muy importante que sepa y comprenda. Esta información se la suministramos como medida de SEGURIDAD y para EVITAR PROBLEMAS CON EL EQUIPO. Debe reconocer los siguientes símbolos.

### ⚠ PELIGRO

Ésto le indica

que hay una situación inmediata que LE OCASIONARIA la muerte o heridas de gravedad.

### ⚠ ADVERTENCIA

Ésto le indica

que hay una situación que PODRIA ocasionarle la muerte o heridas de gravedad.

### ⚠ PRECAUCION

Ésto le indica

que hay una situación que PODRIA ocasionarle heridas no muy graves.

### AVISO

Ésto le indica

una información importante, que de no seguirla, le podría ocasionar daños al equipo.

**NOTA:** Información que requiere atención especial.

## Informaciones Generales de Seguridad

### PROPOSICIÓN 65 DE CALIFORNIA

### ⚠ ADVERTENCIA

Este producto,

o su cordón eléctrico, puede contener productos químicos conocidos por el estado de California como causantes de cáncer y defectos de nacimiento u otros daños reproductivos. Lave sus manos después de usar.

### ⚠ ADVERTENCIA

Quando corta lija, taladra o pule materiales como por ejemplo madera, pintura, metal, hormigón, cemento, u otro tipo de mampostería se puede producir polvo. Con frecuencia este polvo contiene productos químicos que se conocen como causantes de cáncer, defectos congénitos u otros daños reproductivos. Use equipo de protección.



### ELECTRICIDAD ESTÁTICA

### ⚠ DANGER

¡Peligro de incendio o explosión! No use nunca una chorreadora de arena cerca de líquidos, gases, polvos, trapos empapados de aceite u otros materiales inflamables o combustibles que puedan explotar o incendiarse.

Algunos abrasivos producen chispas cuando golpean metal. Los abrasivos similares al óxido de aluminio pueden producir chispas de corriente estática. En un medio no seguro, estas chispas causarán incendios o explosiones que pueden resultar en muerte o lesiones personales graves. Para la seguridad suya y de las demás personas cerca, NO USE esta chorreadora de arena donde haya líquidos, gases, polvos, trapos empapados de aceite u otros materiales inflamables que puedan explotar o incendiarse.



### ⚠ CAUTION

Los choques de electricidad estática pueden ser dolorosos. Algunos abrasivos similares al óxido de aluminio pueden crear electricidad estática mientras usted usa la chorreadora de arena. Si usted no tiene una conexión a tierra, la



**RECORDATORIO:** ¡Guarde su comprobante de compra con fecha para fines de la garantía! Adjúntela a este manual o archívela en lugar seguro.

## Informaciones Generales de Seguridad (Continuación)

**electricidad estática puede acumularse en su cuerpo y acusar un choque cuando usted toque un objeto metálico. Usted puede evitar la electricidad estática usando zapatos con suela de cuero y manteniendo los pies en el piso. Si fuese necesario, un cable conectado a tierra y a la pistola chorreadora de arena eliminará el peligro descargando la electricidad estática. Recuerde, usted no está conectado a tierra si está aislado del piso. Los zapatos con suela de caucho, las botas de caucho u otros zapatos de caucho o plástico son aislantes. Evite estar parado sobre madera seca (como una paleta de madera) un tapete o alfombra secos.**

## INFORMACIONES GENERALES DE SEGURIDAD

- Lea con atención todos los manuales que se incluyen con este producto. Familiarícese bien con los controles y el uso adecuado del equipo. Siga todas las instrucciones.
- Sólo se les debe permitir usar esta unidad a aquellas personas bien familiarizadas con estas reglas de manejo seguro.



**ADVERTENCIA** No use este producto en forma inadecuada. La exposición excesiva a la vibración, trabajar en posiciones incómodas y los movimientos de trabajo repetitivos pueden causar lesiones a las manos y brazos. Deje de usar cualquier herramienta si aparece incomodidad, cosquilleo o dolor y consulte a un médico.

1. Lea este manual de instrucciones antes de conectar la unidad al compresor de aire.
2. Siempre debe utilizar anteojos de seguridad o una máscara, guantes y un respirador aprobado por la organización NIOSH, o un organismo regulatorio de su país, para operar

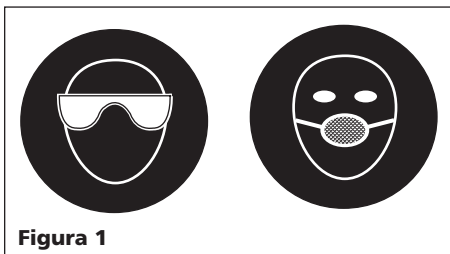


Figura 1

esta rociadora. Siempre trabaje en áreas bien ventiladas.

3. Nunca exponga sus manos o piel directamente al chorro de arena que sale por la boquilla.
4. Después de instalar la unidad, revise las conexiones para cerciorarse de que estén adecuadamente apretadas.
5. Mantenga a los niños alejados del área de trabajo. Igualmente, todos los visitantes se deben mantener a una distancia prudente y usar anteojos de seguridad, guantes y repirador.
6. Nunca exceda la presión máxima de trabajo de la rociadora de arena (8,58 barras) (125 psi).

### ADVERTENCIA

**Desconecte la rociadora de arena de la fuente de suministro de aire antes de cambiar de accesorios o tratar de instalarla, darle servicio, reubicarla o darle cualquier tipo de mantenimiento.**

7. Antes de cada uso cerciórese de que las mangueras y líneas de aire estén en buenas condiciones de funcionamiento. Igualmente, cerciórese de que todas las conexiones estén bien apretadas.

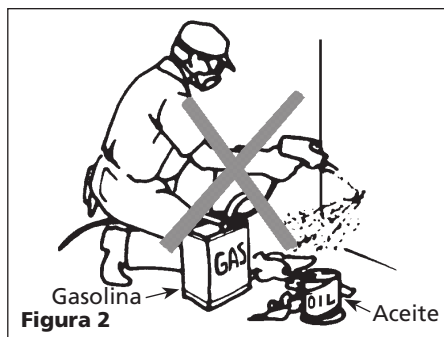
### ADVERTENCIA

**No apunte la rociadora de arena hacia nadie u objetos que no sean la pieza de trabajo.**

8. No oprima el gatillo mientras esté conectando la manguera de suministro de aire.

### PELIGRO

**No trabaje cerca de trapos empapados de aceite o líquidos inflamables. El impacto de la arena con el metal podría ocasionar chispas creando incendios o explosiones.**



Gasolina

Figura 2

Oil

Aceite

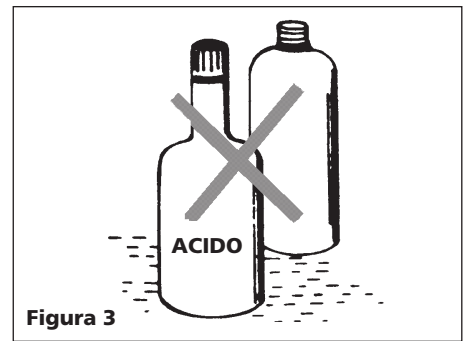


Figura 3

**ADVERTENCIA** No rocíe ácidos o cáusticos.

## Ensamblaje

### MODELO AT122601

1. Conecte la manguera de material al tubo de recolección. Coloque el tubo de recolector en una bolsa mediana. (Vea la Figura 4).

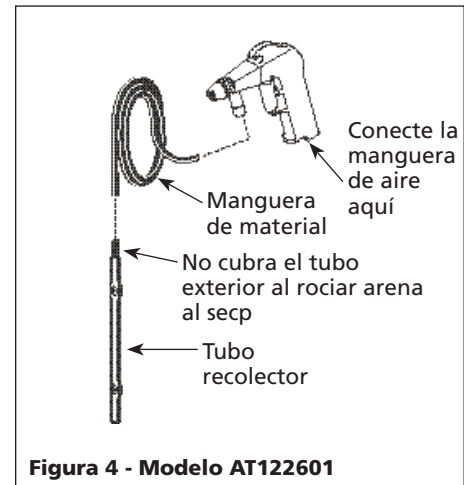


Figura 4 - Modelo AT122601

2. Conecte la manguera del compresor de aire al orificio de entrada de aire (6,4 mm (1/4" NPT)(H)) ubicado en la parte inferior del mango de la pistola. Puede utilizar un acoplador rápido opcional y un conector para conectar la manguera a la pistola.

### MODELO AT125102

1. Conecte la manguera de material al conector de la manguera. Conecte el otro extremo de la manguera de material a la pistola (Vea la Figura 5). Nunca asegure la manguera con abrazaderas.

**NOTA:** No cubra el orificio del conector de la manguera al rociar arena al seco. Para rociar líquidos, conecte la

## Ensamblaje (Continuación)

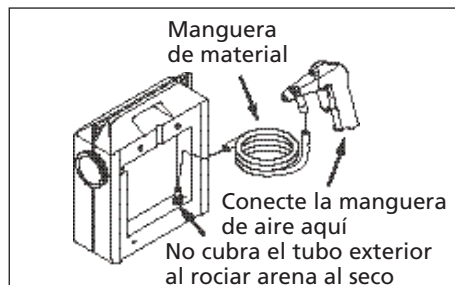


Figura 5 - Modelo AT125102

manguera de modo que cubra el orificio ubicado en el conector.

2. Conecte la manguera del compresor de aire al orificio de entrada de aire (6,4 mm (1/4" NPT)(H) ubicado en la parte inferior del mango de la pistola. Puede utilizar un acoplador rápido opcional y un conector para conectar la manguera a la pistola.

### MODELO AT121002

1. Asegure el conector de la manguera a la tolva con la tuerca de conducto suministrada.
2. Conecte la manguera de material al conector. Conecte el otro extremo de la manguera de material a la pistola (Vea la Figura 6). Nunca asegure la manguera con abrazaderas.

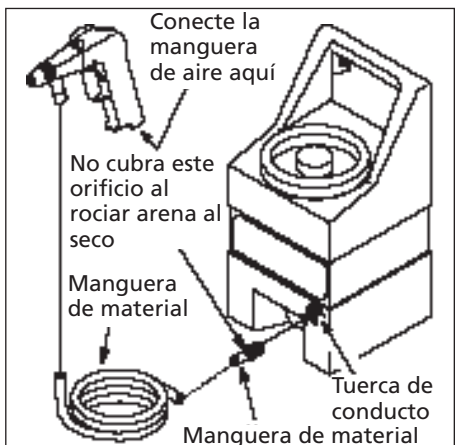


Figura 6 - Modelo AT121002

**NOTA:** No cubra el orificio del conector de la manguera al rociar arena al seco. Para rociar líquidos, conecte la manguera de modo que cubra el orificio ubicado en el conector.

3. Conecte la manguera del compresor de aire al orificio de entrada de aire

(6,4 mm (1/4" NPT)(H) ubicado en la parte inferior del mango de la pistola. Puede utilizar un acoplador rápido opcional y un conector para conectar la manguera a la pistola.

### MODELO AT121102

1. Conecte la rueda al eje. (Vea la Figura 7). Golpee levemente la tapa de la rueda, con un martillo, de modo que calce bien, cerciórese de que el cubo protuberante esté hacia la tolva. Repita estos pasos en el lado opuesto.

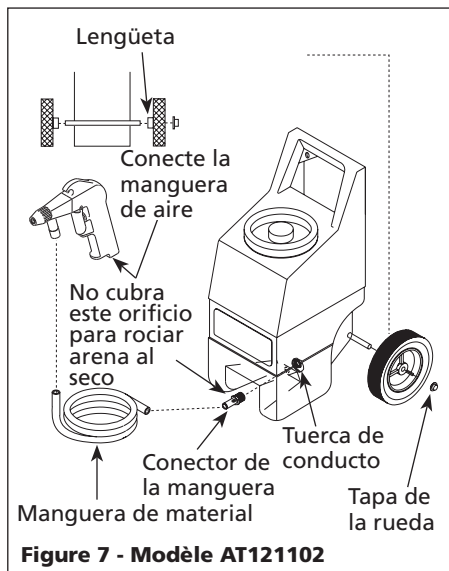


Figure 7 - Modèle AT121102

2. Asegure el conector de la manguera a la tolva con la tuerca de conducto suministrada.
3. Conecte la manguera de material al conector. Conecte el otro extremo de la manguera de material a la pistola (Vea la Figura 7). Nunca asegure la manguera con abrazaderas.

**NOTA:** No cubra el orificio del conector de la manguera al rociar arena al seco. Para rociar líquidos, conecte la manguera de modo que cubra el orificio ubicado en el conector.

4. Conecte la manguera del compresor de aire al orificio de entrada de aire (6,4 mm (1/4" NPT)(H) ubicado en la parte inferior del mango de la pistola. Puede utilizar un acoplador rápido opcional y un conector para conectar la manguera a la pistola.

## Funcionamiento

1. Ubique el compresor lo más lejos posible del área de trabajo para minimizar la cantidad de polvo que entre al compresor.
2. El aire suministrado debe estar limpio y libre de residuos de agua y aceite.
3. Use un compresor que pueda suministrar suficiente aire (Vea las especificaciones). Un compresor demasiado pequeño ocasionaría una baja de presión y la rociadora de arena no funcionaría adecuadamente.
4. Siempre pruebe la rociadora de arena rociando en una parte fuera de vista para cerciorarse de que no va a dañar la pieza.
5. Siempre filtre (con un filtro de rejilla) el material abrasivo para evitar el paso de material aglutinado y basurilla y evitar que se obstruya la unidad.
6. No trate de rociar líquidos espesos o abrasivos en granos muy grandes.
7. Use la presión más baja en superficies delicadas para evitar daños.
8. Líquidos, tales como agua enjabonada, pueden rociarse para lavar automóviles, sillas de patios, etc.
9. Llene la tolva de abrasivo hasta aproximadamente 3/4 de su capacidad.
10. Una vez que haya conectado las mangueras de aire y material, y se haya puesto el equipo de seguridad adecuado, apunte la pistola de la rociadora de arena hacia la superficie de trabajo y oprima el gatillo.
11. Cada vez que desconecte la boquilla, para limpiarla o reemplazarla, use un cepillo para limpiar las roscas y reemplace el anillo en O.

## Assistència Técnica

Para obtener información con relación al funcionamiento o reparación de este producto, sírvase llamar al 1-800-543-6400.

Tipo de Abrasivo (Cernido/Tamaño)	Aplicación
Arena (20-40)	Todo tipo de uso. Para eliminar capas ligeras de óxido y pintura de metales, maderas u otras superficies; acabado de maderas; limpiar metal; grabado de vidrio y piedra; taladrar vidrios, ladrillos o bloques de cemento; limpiar piedras; limpiar piezas exteriores de automóviles y eliminar depósitos de agua
Arena (50-100)	Usada para pulir superficies finas o madera antigua, pulir bronce y plata, limpiar y pulir piezas de automóviles, pulir superficies metálicas y grabado de vidrio fino
Óxido de Aluminio	Para eliminar capas gruesas de óxido y pintura de superficies rústicas
Granos de mazorca molida	Limpiar maderas y vidrios (finos)
Cáscara de nuez o pacana (molidas)	Limpiar maderas y vidrios (rústicos)
Balines de plástico	Para eliminar rebabas, quemaduras y pintura de metales o vidrios sin dañarlos.

**NOTA:** Los abrasivos impuros podrían obstruir la boquilla de la pistola y no se deben usar.

#### HUMEDAD EN EL AIRE COMPRIMIDO

La humedad que se acumula en el aire comprimido se convierte en gotas a medida que sale del cabezal del compresor de aire. Cuando el nivel de humedad es muy alto o cuando el compresor ha estado en uso continuo por mucho tiempo, ésta se acumulará en el tanque. Al usar una rociadora de arena, esta agua saldrá a través de la manguera y la pistola en forma de gotas mezclada con el material que esté rociando.

**IMPORTANTE:** ESTA CONDENSACION OCASIONARA QUE LA ARENA SE AGLUTINE Y OBSTRUYA LA PISTOLA. SI LA PISTOLA SE OBSTRUYE NO FUNCIONARA.

A compressed air dryer and/or air line filter will help eliminate this moisture.

Usos Sugeridos

Tipo de Abrasivo (Cernido/ Tamaño)	Aplicación	Distancia de la Superficie	bar	Sugerencias
Arena (30-50) Balines de vidrio	Para grabar o ta-ladrar vidrios	2,54 cm - 10,16 cm	2,76 - 6,21	Mueva la pistola de atrás hacia adelante y siga un patrón como si estuviera usando una brocha. Rocíe en un ángulo de 90o. Para pulir superficies finas, use balines de vidrio como abrasivo. Para abrir orificios (taladrar), use arena de grado 30.
Arena (40) Cáscaras molidas de nuez	Preparación o meteorización de maderas	5,08 cm - 15,24 cm	2,76 - 6,21	Use la pistola como una brocha y observe la rapidez de la abrasión con cuidado. Las maderas blandas se desgastarán más rápido que las duras. Mientras más fino sea el abrasivo el acabado será de mejor calidad. Comience con una presión baja y aumentela gradualmente. Rocíe en un ángulo de 45°.
Arena (50-100) balines de vidrio, cáscara molida de nuez	Para lijar maderas y acabar muebles	2,54 cm - 15,24 cm	2,76 - 4,83	Use la pistola como un a brocha y observe la rapidez de la abrasión con cuidado. Use cáscara molida de nuez para acabados rústicos o arena fina para acabados de mejor calidad. Rocíe en un ángulo de 45°.
Arena (20-40)	Para limpiar anafes y ollas de hierro	2,54 cm - 10,16 cm	3,45 - 8,62	Cerciórese de cubrir las superficies de vidrio o pintadas que se podrían dañar accidentalmente. Rocíe en un ángulo de 80 - 90°.
Arena (20-40) óxido de aluminio	Para limpiar piezas de automóviles	2,54 cm - 10,16 cm	2,76 - 5,52	Use arena más gruesa en las superficies fuera de la vista. Si el material se está dañando, use una arena más fina. Rocíe en un ángulo de 80 - 90°.
Arena (20-40)	Para limpiar y raspar manpostería	2,54 cm - 10,16 cm	3,45 - 8,62	Use arena más gruesa y dele varias manos. Rocíe en un ángulo de 80 - 90°.
Cáscaras molidas de pecano o nuez y ma-zorca molida	Para limpiar o preparar superficies para pintar	2,54 cm - 15,24 cm	2,76 - 8,62	Use la pistola como un a brocha y observe la rapidez de la abrasión con cuidado. Las maderas blandas se desgastarán más rápido que las duras. Mientras más fino sea el abrasivo el acabado será de mejor calidad. Comience con una presión baja y aumentela gradualmente. Rocíe en un ángulo de 45 - 60°.
Arena (20-50) Óxido de aluminio (50-80)	Para limpiar o raspar equipos a aire libre	2,54 - 7,62 cm	3,45 - 8,62	Primero quítele la pintura desconchada con un cepillo de alambre, después use la rociadora de arena con un abrasivo fuerte. Si hay varias capas de pintura vieja, las debe raspar primero. Inmediatamente después, cúbrala con una capa de anticorrosivo para evitar que se oxide. Rocíe en un ángulo de 45 - 60°.

## Guía de Diagnóstico de Averías

Problema	Posible(s) Causa(s)	Acción a Tomar
La presión está baja o no hay nada de presión	<ol style="list-style-type: none"> <li>1. El regulador está fijado incorrectamente</li> <li>2. Hay una manguera rota</li> <li>3. El filtro del compresor de aire está sucio</li> </ol>	<ol style="list-style-type: none"> <li>1. Fije el regulador</li> <li>2. Enderece la manguera</li> <li>3. Limpie o reemplace el filtro</li> </ol>
El material no sale de la pistola	<ol style="list-style-type: none"> <li>1. La manguera de material está obstruida</li> <li>2. El propulsor está obstruido</li> <li>3. El material está húmedo o muy espeso (pesado)</li> <li>4. Hay agua en el aire suministrado</li> </ol>	<ol style="list-style-type: none"> <li>1. Reduzca la presión a menos de 2,76 bar. Sostenga con firmeza la boquilla de la pistola contra el piso y oprima el gatillo para forzar el material a salir de la manguera</li> <li>2. Desconecte la boquilla y límpiele el propulsor</li> <li>3. Reemplácelo con abrasivo seco. (El material húmedo se puede secar para usarlo otra vez)</li> <li>4. Drene el tanque de aire e instale un filtro de aire, Vea la sección "Humedad en el aire comprimido"</li> </ol>
La pistola no cesa de rociar - el gatillo está atascado	Los anillos en O de la válvula de aire están dañados	Reemplace los anillos en O
Chisporreo - el nivel del sistema al vacío está bajo	<ol style="list-style-type: none"> <li>1. La boquilla o el propulsor están desgastados</li> <li>2. Hay acumulación de abrasivos en el propulsor/boquilla</li> </ol>	<ol style="list-style-type: none"> <li>1. Reemplace el propulsor y/o la boquilla</li> <li>2. Desconecte la boquilla y el propulsor y límpielos. Cerciórese de que las roscas estén limpias antes de conectarlos una vez más</li> </ol>
Chisporreo - fuga de aire/ abrasivo en la boquilla/ propulsor	<ol style="list-style-type: none"> <li>1. La boquilla o el propulsor están flojos</li> <li>2. El anillo en O está dañado</li> </ol>	<ol style="list-style-type: none"> <li>1. Apriete la boquilla o el propulsor</li> <li>2. Reemplace el anillo en o</li> </ol>
Chisporreo - fuga en el sistema al vacío	<ol style="list-style-type: none"> <li>1. La manguera de material está floja</li> <li>2. El anillo en O está dañado</li> </ol>	<ol style="list-style-type: none"> <li>1. Apriete la manguera de material</li> <li>2. Reemplace el anillo en o</li> </ol>
Chisporreo - obstrucción	El orificio del conector está cubierto	Destape el orificio del conector



## Garantía Limitada

1. **DURACIÓN:** A partir de la fecha de compra por parte del comprador original del modo siguiente: durante 5 (cinco) años, con las excepciones que se detallan a continuación.
2. **QUIÉN OTORGA ESTA GARANTÍA (GARANTE):** Maxus, 100 Production Drive, Harrison, Ohio, 45030 , Teléfono: (888) Maxus4U – www.maxustools.com
3. **QUIÉN RECIBE ESTA GARANTÍA (COMPRADOR):** El comprador original (sin fines de reventa) del producto de Maxus.
4. **QUÉ PRODUCTOS ESTÁN CUBIERTOS POR ESTA GARANTÍA:** Toda chorreadora de Maxus suministrada y fabricada por el Garante.
5. **QUÉ ESTÁ CUBIERTO POR ESTA GARANTÍA:** Defectos en los materiales y en la mano de obra con las excepciones que se detallan a continuación.
6. **QUÉ NO ESTÁ CUBIERTO POR ESTA GARANTÍA:**
  - A. Las garantías implícitas, incluyendo aquellas de comercialización y APTITUD PARA UN PROPÓSITO DETERMINADO ESTÁN LIMITADAS DESDE LA FECHA DE COMPRA ORIGINAL SEGÚN SE ESTABLECE EN LA DURACIÓN. Si este producto es empleado para alquiler, la garantía será aplicable durante 90 (noventa) días a partir de la fecha de compra. En algunos estados no se permiten las limitaciones a la duración de una garantía implícita, por lo cual las limitaciones antedichas pueden no ser aplicables en su caso.
  - B. CUALQUIER PÉRDIDA, DAÑO O GASTO INCIDENTAL, INDIRECTO O CONSECUENTE QUE PUEDA RESULTAR DE CUALQUIER DEFECTO, FALLA O MAL FUNCIONAMIENTO DEL PRODUCTO. En algunos estados no está permitida la exclusión ni la limitación de los daños incidentales o consecuentes, por lo cual la limitación o exclusión antedicha puede no ser aplicable en su caso.
  - C. Cualquier fallo que sea el resultado de accidente, abuso, negligencia por parte del comprador o si éste no hace funcionar los productos de acuerdo con las instrucciones proporcionadas en el(los) manual(es) del propietario que se entrega(n) con el producto.
  - D. Servicio previo a la entrega, es decir, armado, filtrado y ajuste.
  - E. Ajustes normales o artículos fungibles que se explican en el(los) manual(es) del propietario que se entregan con el producto incluyendo, pero sin limitarse a, piezas sujetas a desgaste normal tales como boquillas, inyectores de aire, bloques de sellado, válvulas, anillos en O, conexiones de mangueras, mangueras y pistolas.
  - F. Artículos o servicios que exijan el reemplazo periódico para mantener el producto, es decir, filtros, juntas, válvulas, etc.
  - G. Artículos adicionales no cubiertos por esta garantía:
    - a. Todo componente dañado durante el envío o toda falla causada al instalar u operar la unidad bajo condiciones que no estén de acuerdo con las pautas de instalación y funcionamiento.
    - b. Fallas causadas por lluvia, humedad excesiva o entornos corrosivos.
    - c. Defectos estéticos que no interfieren con la funcionalidad de la chorreadora.
    - d. Tanques oxidados incluyendo, pero sin limitarse a, óxido debido a limpieza/almacenamiento inadecuado.
    - e. Otros artículos que no estén enumerados pero que se consideren piezas de desgaste general.
7. **RESPONSABILIDAD DEL GARANTE EN VIRTUD DE ESTA GARANTÍA:** Según elija el Garante, la reparación o el reemplazo del producto o los componentes que estén defectuosos, que hayan funcionado en forma inadecuada y/o que no hayan cumplido con su función dentro de la duración del período de la garantía.
8. **RESPONSABILIDAD DEL COMPRADOR EN VIRTUD DE ESTA GARANTÍA:**
  - A. Suministrar prueba fechada de compra y la historia de mantenimiento del producto.
  - B. Entregar o enviar el producto o componente Maxus al Centro de Servicio autorizado Campbell Hausfeld más cercano. Los gastos de flete, de haberlos, deben ser pagados por el comprador.
  - C. Emplee un cuidado razonable para el manejo y el mantenimiento de los productos, según se describe en el (los) manual(es) del propietario.
9. **EN QUÉ CASOS EL GARANTE PROPORCIONARÁ REPARACIÓN O REEMPLAZO EN VIRTUD DE ESTA GARANTÍA:** La reparación o el reemplazo se establecerán y se llevarán a cabo de acuerdo al flujo de trabajo normal en la instalación de servicio, y dependerá de la disponibilidad de piezas de repuesto.

Esta garantía limitada se aplica únicamente en los EE.UU., Canadá y México y le proporciona derechos legales específicos. Puede que también tenga otros derechos que pueden variar de un estado a otro, o de un país a otro.



## Free Manuals Download Website

<http://myh66.com>

<http://usermanuals.us>

<http://www.somanuals.com>

<http://www.4manuals.cc>

<http://www.manual-lib.com>

<http://www.404manual.com>

<http://www.luxmanual.com>

<http://aubethermostatmanual.com>

Golf course search by state

<http://golfingnear.com>

Email search by domain

<http://emailbydomain.com>

Auto manuals search

<http://auto.somanuals.com>

TV manuals search

<http://tv.somanuals.com>