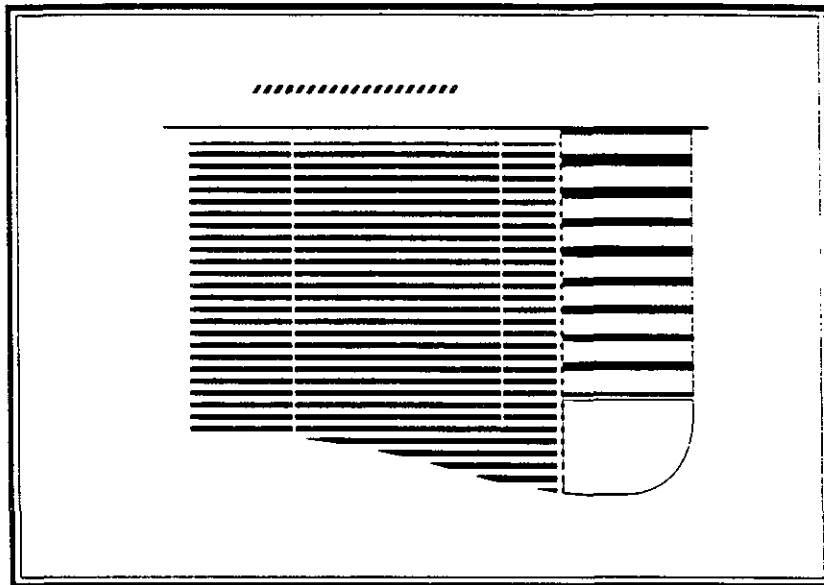




USE AND CARE MANUAL

Room Air Conditioner Model 73SC Series

FILE COPY



For Models
73SC005A1C
73SC008A1C

Owner's guide:

Read instructions completely before installing.

Table

English Only 6



1-800-CARRIER

Table of Contents

	Page
Parts Identification	2
Introduction	3
Electrical Specifications	4
Energy-saving Tips	5
Installation Instructions	6
Operating Instructions	13
Care and Maintenance	14
Trouble Shooting Guide	15

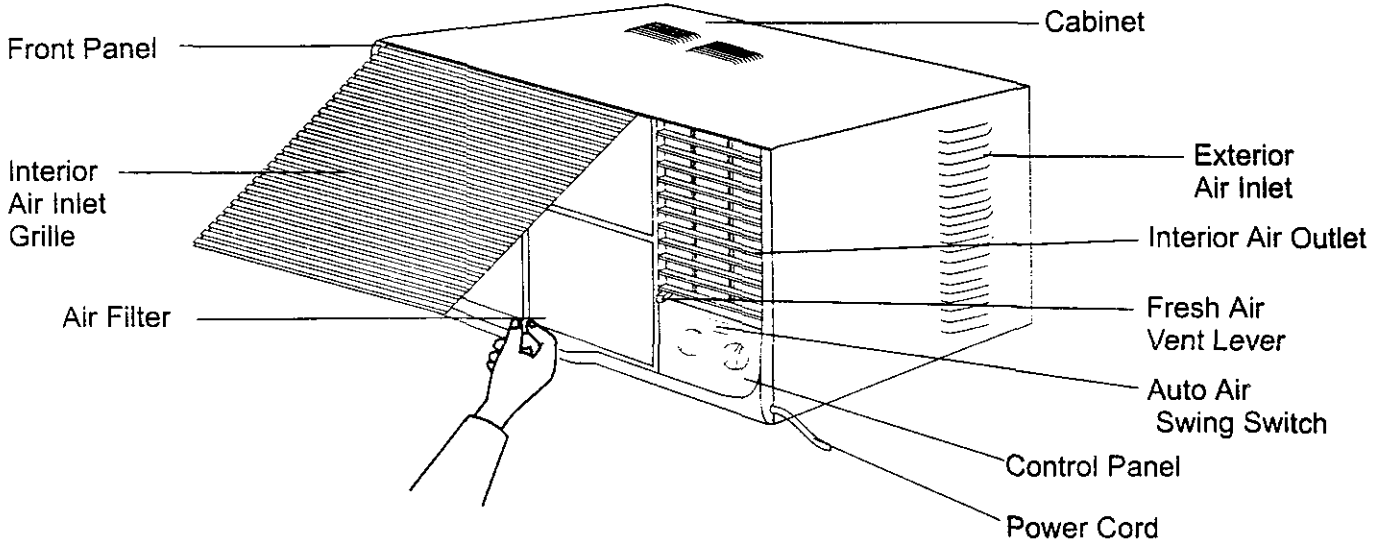
|

se

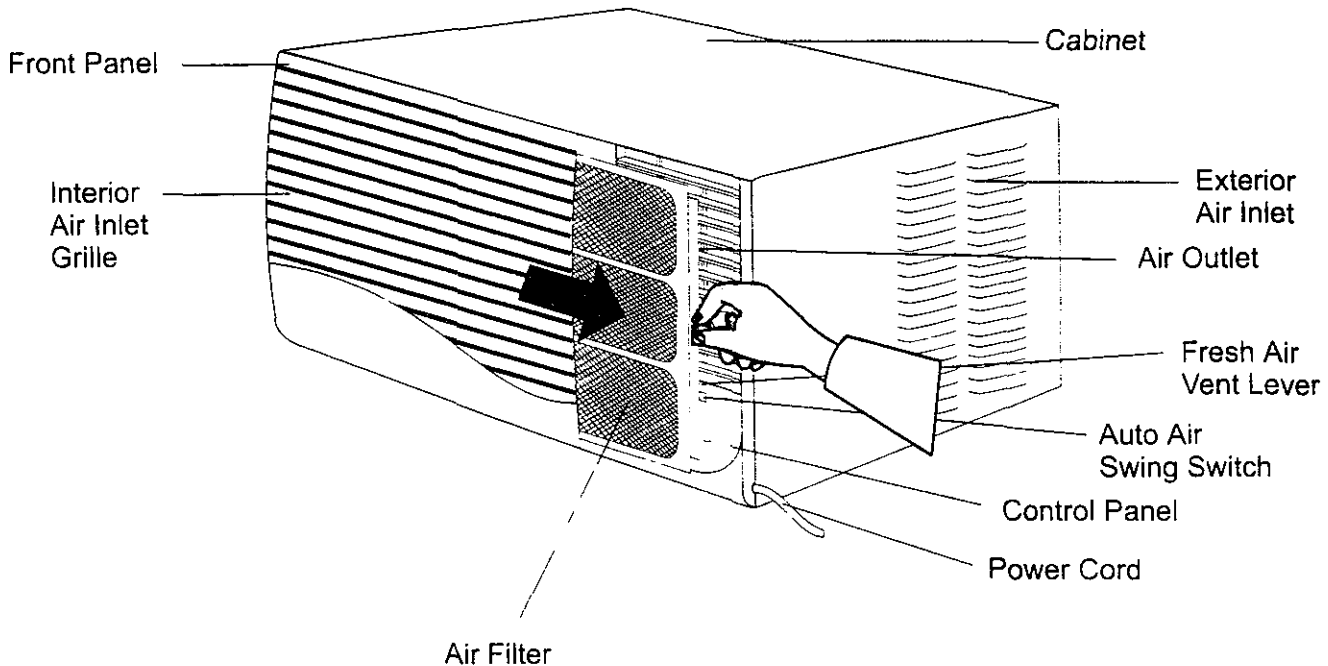
r
Jr

Part Identification

1. Parts Identification for Model 73SC005A1C



2. Parts Identification for Model 73SC008A1C



Introduction

Thank you for choosing this Carrier Room Air Conditioner to cool your home. This USE AND CARE MANUAL provides information necessary for the proper care and maintenance of your new Room Air Conditioner. If properly maintained, your air conditioner will give you many years of trouble free operation. To avoid installation difficulties, read instructions completely before starting. This manual contains information for the installation and operation of your Carrier Room Air Conditioner.

For easy reference, you may want to attach a copy of your sales receipt to this page. Note following information provided (*on the manufacturer's nameplate located on the right side of the unit above the power cord*). This information will be needed when you contact a Carrier's Customer Service Representative.

Model number _____

Serial number _____

Date of Purchase _____

Dealer's Name and Address _____

Refer to the trouble shooting-section of this USE AND CARE MANUAL if the unit is not operating correctly. If these suggestions do not solve the problem, contact an authorized service representative or call **1-800-CARRIER.**

Keep these instructions for future reference.
This symbol denotes a caution or warning.



Specifications:

Model number		73SC005A1C	73SC008A1C
Unit Specifications:			
Voltage		115V/60Hz	115V/60Hz
Cooling Capacity(Btu/h)		5,000	8,000
Input Wattage		515	815
Energy Efficiency Rating (EER)		9.7	9.8
Fan/Cooling Speeds		2/2	2/2
Cooling Area Coverage (Sq ft)		100	350
Noise Level (dB)		49.5	52
Unit Dimensions	Width	17.7"	19.7"
	Depth	15.9"	21.1"
	Height	12.6"	13.6"
Window Kit Dimensions	Maximum Width	35.0"	37.0"
	Minimum Width	22.4"	24.4"
	Height	13.5"	14.5"
Shipping Weight		65lb	98lb

NOTE: Specifications are subject to change without further notice.

Electrical Specifications

1 All wiring must comply with local and national electrical codes and must be installed by a qualified electrician. If you have any questions regarding the following instructions, contact a qualified electrician.

2. Check available power supply and resolve any wiring problems **BEFORE** installing and operating this unit.

3 This 115V air conditioner uses 12.0 or less nameplate amps and may be used in any properly wired, general purpose household receptacle. See (Table 1) for specifications for individual branch circuit.

4 For your safety and protection, this unit is grounded through the power cord when plugged into a matching wall outlet. **If you are not sure whether your wall outlet is properly grounded, please consult a qualified electrician.**

5 The wall outlet(3-pin) must match the plug (3-pin) on the service cord supplied with the unit. **DO NOT** use plug adapters or extension cord. See (Table 2) for receptacle and fuse information.

6 The rating plate on the unit contains electrical and other technical data. The rating plate is located on the right side of the unit, above the power cord. If missing, a second nameplate is located on front chassis (also as known as basepan).

Suggested Individual Branch Circuit	
Nameplate Amps 5.0 to 12	AWG Wire Size* 14
AWG- American Wire Gage * Based on copper wire at 60°C temperature rating	

Table 1

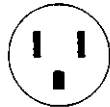
Receptacle and Fuse Types	
Rated Volts	125
AMPS	15
Wall Outlet	
Fuse Size	15
Time Delay Fuse (or circuit breaker)	Plug type

Table 2



Electric Shock Hazard

To avoid the possibility of personal injury, disconnect power to the unit before installing or servicing.

Energy-Saving Tips

Your Room Air Conditioner unit is designed to be highly efficient and save energy.

Follow these recommendations for greater efficiency

- 1 Select thermostat setting that suits your comfort needs and leave the thermostat at that chosen setting
2. The filter is very efficient in removing airborne particles. Keep air filter clean. Normally, filter should be cleaned once a month. More frequent cleaning may be necessary depending on outdoor and indoor air quality.
- 3 Use drapes, curtains, or shades to keep direct sunlight from heating your room, but **DO NOT** obstruct the air conditioner. Allow air to circulate around the unit without obstructions.
- 4 Start your air conditioner before outdoor air becomes hot and uncomfortable. This avoids an initial period of discomfort while the unit is cooling off the room.
- 5 When outdoor temperature is cool enough, use **HIGH** or **LOW FAN** only (depending on your model). This circulates indoor air, providing some cooling comfort, and utilizes less electricity than when operating on a cooling setting.

Tools Needed for Window Installation

Screw drivers: Both Philips and flat head

Power drill: 1/8 inch diameter drill bit

Pencil

Measuring tape

Scissors

Carpenter's level

Adjustable wrench

CAUTION

To avoid installation/operating difficulties, read the instructions thoroughly.

Your Carrier Room Air Conditioner was designed for easy installation in a single or double-hung window. **NOTE:** This unit is **NOT** designed for vertical (slider type) windows.

NOTE: Save the shipping carton and packing materials for future storage or transport of the unit. Please check the contents of hardware kit against the corresponding model check list, prior to installation of the unit.

See lists below, depending on model.

Fig. 1 Installation Hardware Model 73SC005A1C

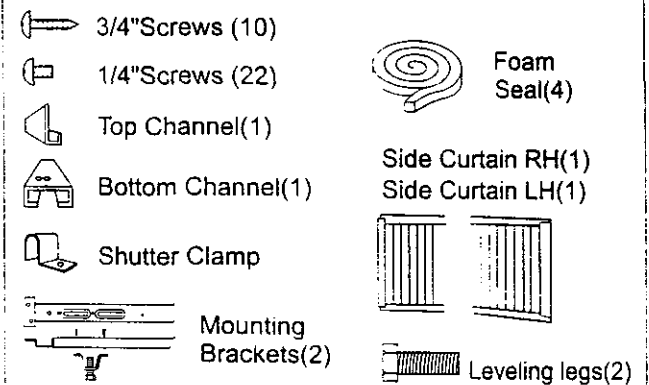
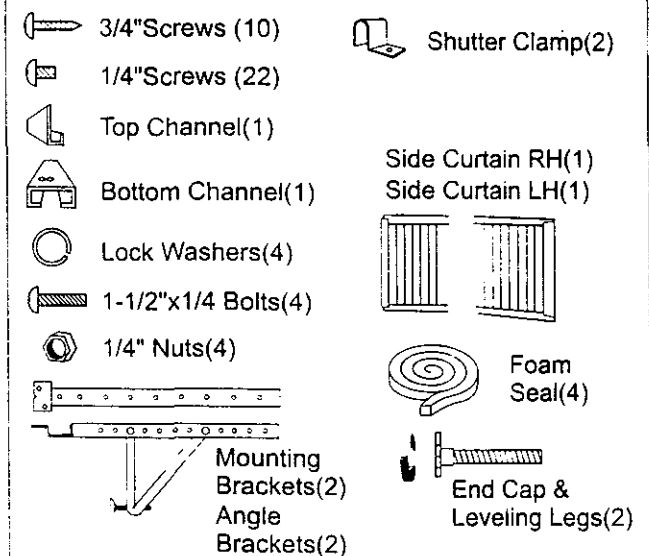


Fig. 1A Installation Hardware Model 73SC008A1C



Installation Instructions



CAUTION



Because the compressor is located on the controls side of the unit (right side), this side will be heavier and more awkward to manipulate. Inadequate support on control side of the unit can result in personal injury and damage to your unit and property. Therefore, it is recommended to have someone assist you during the installation of this unit.

F Your Carrier unit was designed to evaporate condensation under normal conditions. However, under extreme humidity conditions, excess condensation may cause basepan to overflow to the outside. The unit should be installed where condensation run-off cannot drip on pedestrians or neighboring properties.

G A drain connection (excluding hose) is provided. If you need to redirect condensation overflow (See Fig. 23 on Page 12).

1. Select the Best Location

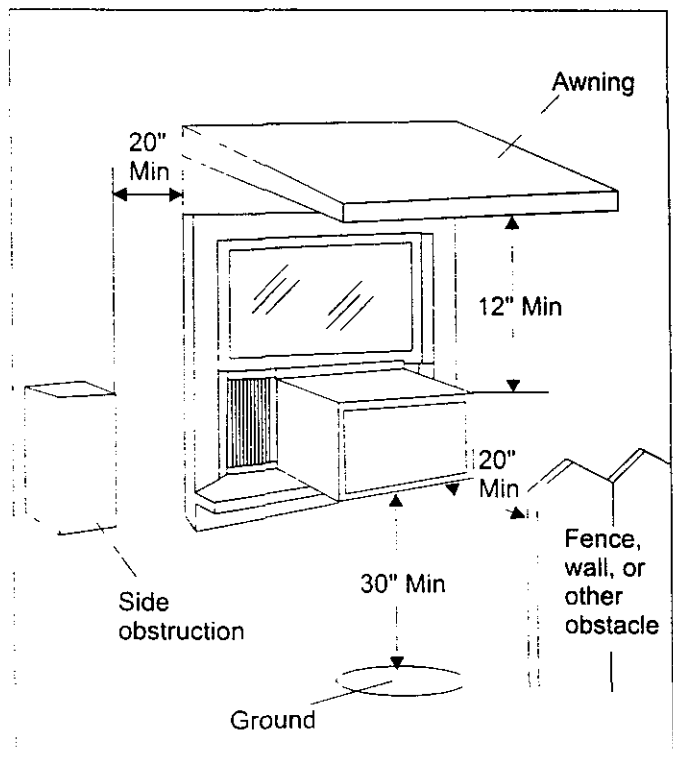
A Your Carrier room air conditioner was designed to fit easily into a single or double hung window. However, since window designs vary, it may be necessary to make some modifications for safe and proper installation.

B Make sure window and frame is structurally sound and free from dry and rotted wood.

C For maximum efficiency, install the air conditioner on side of the house or building which favors more shade than sunlight. If the unit is in direct sunlight, it is advisable to provide an awning over the unit.

D Provide sufficient clearance around the cabinet to allow for ample air circulation through the unit. See (Dwg. 1). The rear of the unit should be outdoors and not in a garage nor inside of a building. Keep unit as far away as possible from obstacles, obstructions, and at least 30" above the floor or ground. Curtains and other objects within a room should be prevented from blocking the air flow.

E Be certain the proper electrical outlet is within reach of the installation. Use only a single outlet circuit rated at 15 amps. All wiring should be in accordance with local and national electrical codes.



Dwg 1

Installation Instructions

2. Preparation to remove the Air Conditioner Slide-Out Chassis (Model 73SC005A1C)

- A Tilt the unit on its back (Fig 1) be careful not to damage the drain on the back
- B Locate the finger indents on the underside of the interior air inlet grille (Fig 2)
- C. Lift the air inlet grille (fully open) until it disengages from the top edge of the front panel (Fig 2)
- D Remove the Philips screw located at the lower (right hand) corner of the front grille and the Philips screws from both sides of the cabinet (Fig 3)
- E. Grasp the lower front corner of the front panel, pulling (gently) outward and upward Repeat this step on the 3 remaining corners (Fig 4)
- F Grasp the pull handle at the front of the slide-out chassis and carefully slide the air conditioner out of the cabinet (Fig 6)

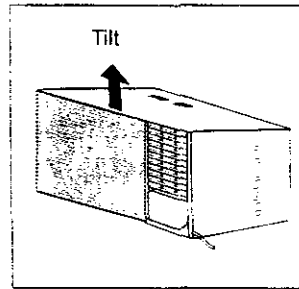


Fig 1

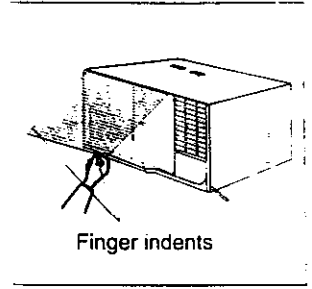


Fig 2

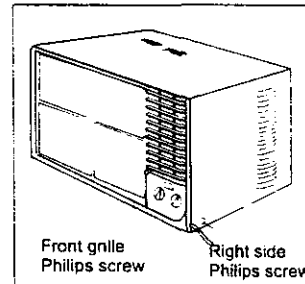


Fig 3

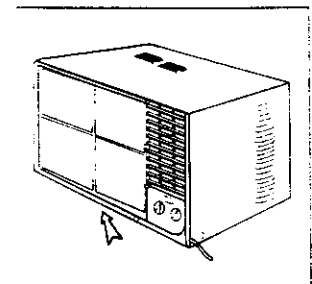


Fig 4

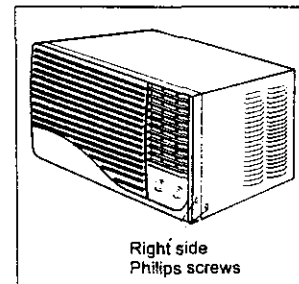


Fig 5

3. Preparation to Remove the Air Conditioner Slide-Out Chassis (Model 73SC008A1C)

- A Remove the (2) Philips screws on each side of the cabinet. The set of screws closest to the front of the unit, secure the front panel to the cabinet. The set of screws closest to the rear of the unit, secure the cabinet to the chassis. See (Fig 5)
- B Remove the front panel assembly from the cabinet by gently pulling it
- C Grasp the pull panel at the front of the slide-out chassis and carefully slide the air conditioner out of the cabinet (Fig 6)

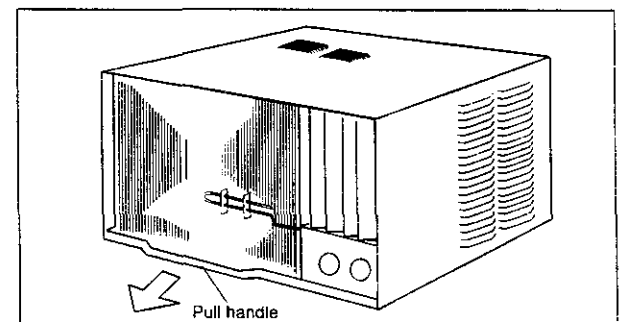


Fig 6

NOTE: Screws must be reinstalled upon completion of the window installation to secure slide-out chassis.

Please seek assistance for this procedure.

Installation Instructions

4. Assembly of the upper & lower channels to the cabinet

A. "L" Shaped Top Channel: Install the "L" shaped top channel to the cabinet as shown in (Fig 7) using (4) 1/4" screws

B. "U" Shaped Bottom Channel: Install the "U" shaped bottom channel to the cabinet as shown in (Fig 7) using (4) 1/4" screws

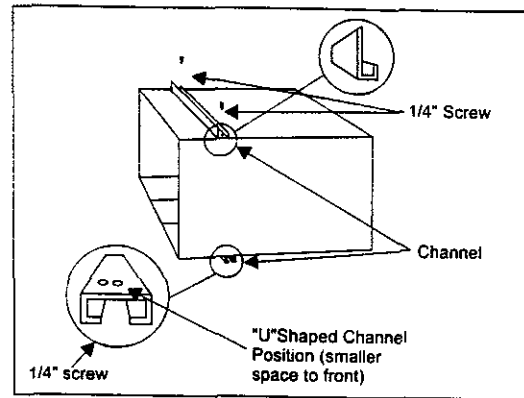


Fig 7

5. Assembly of the side shutters (curtains) to the cabinet.

Slide the shutters into the top and bottom channels as shown in (Fig 8). The shutters are identified (on each frame) as "left" & "right". Attach the shutters to the cabinet using (2) 1/4" screws on each side.

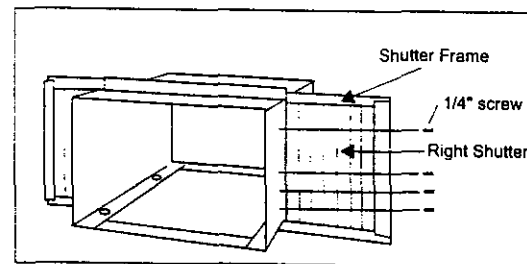


Fig 8

6. Installation of Mounting Brackets and First Sealing Strip (Model 73SC005A1C)

NOTE: Windows come in a variety of different styles. Therefore, it may be necessary to modify or improve your particular installation.

A. Assemble the leveling screw bracket to the bracket assembly as shown in (Fig 9), using two 1/4" screws provided. Install the leveling screws into each of the leveling screw brackets (This will require the use of an adjustable wrench).

B. Measure the inside window sill width and find the center line as shown in (Fig 10). From this center line, measure $8 \frac{1}{16}$ " on each side and mark these points. Align the V-slot in each bracket on these marks and mount to sill using (2) 3/4" screws provided per bracket. Brackets should be perpendicular to the inside window sill. See (Fig 11).

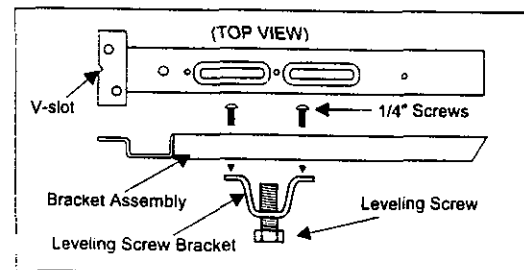


Fig 9

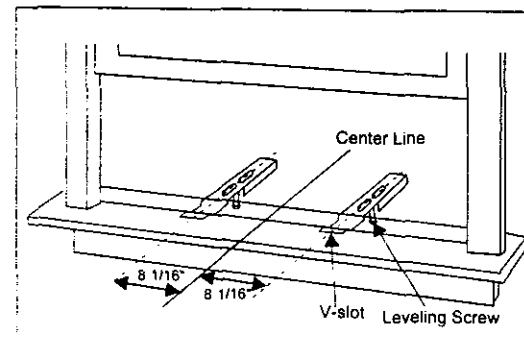


Fig 10

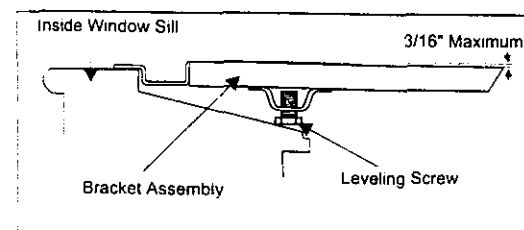


Fig 11

Installation Instructions

C. Adjust the **leveling screws** until the bracket tilts no more than **3/16"** downward to the outside. Do not allow the bracket to slant inward as condensation could possibly drip on interior walls and floors. See (Fig 11)

D. Cut the 1st foam sealing strip to fit the underside of the bottom **window sash**. Remove the peel-off backing on the foam and attach it to the sash. See (Fig 12)

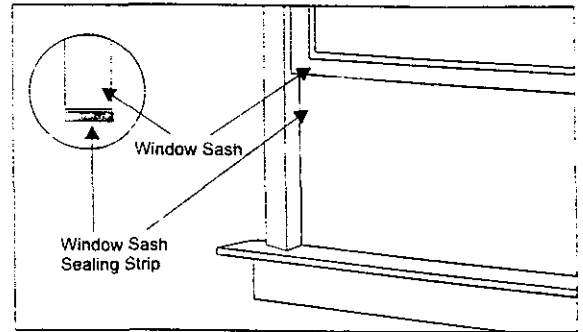


Fig 12

7. Installation of Mounting Brackets and First Sealing Strip (Model 73SC008A1C)

NOTE: Windows come in a variety of different styles. Therefore, it may be necessary to modify or improve your particular installation.

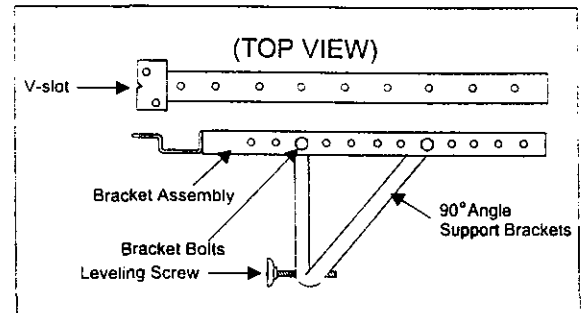


Fig 13

A. Attach the **bracket assembly** to **90° angle support brackets** (Fig 13) using (2) **1 1/2"** bolts.

Two bolts per bracket. Secure with the (2) **1/4"** lock washers and (2) **1/4"** nuts. **DO NOT** immediately tighten these bolts as it may be necessary to adjust the depth of the **bracket assembly**, depending on the depth of your window sill. See (Fig 14). Install the two **leveling screws** into the 90 support brackets. Test the bracket assembly in the window before cabinet installation. If the leveling screws are distanced too far away from the wall to provide stability, it may be necessary for you to shim this area with a solid piece of wood. See (Fig 15)

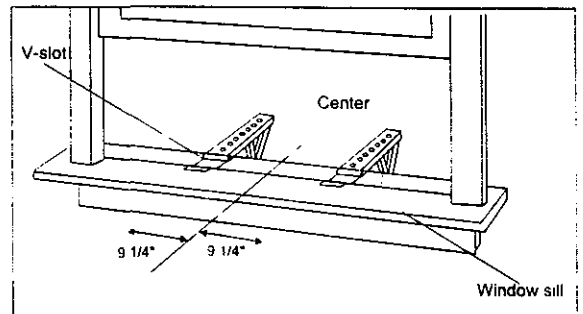


Fig 14

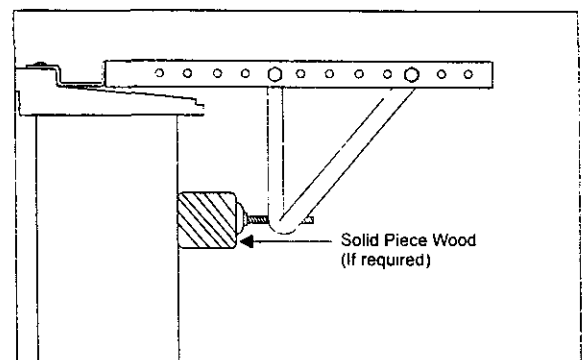


Fig 15

Installation Instructions

B. Measure the inside window sill width and find the center as shown in (Fig 14) Measure 9 1/4" from the center line on each side and mark these points. Align the **V-slot** in each bracket on these marks and mount the brackets to the sill using **3/4" screws** provided. Brackets should be perpendicular to the inside window sill. See (Fig 14)

C. For proper condensation run-off it will be necessary to adjust the angle/pitch of the window brackets. This is accomplished by adjusting the distance of the leveling screw on the outer wall. The maximum angle/pitch should not exceed more than 3/16". See (Fig 16)

D. Cut the **first foam sealing** strip to fit the underside of the bottom **window sash**. Remove the peel-off backing on the foam and attach it to this sash. See (Fig 12)

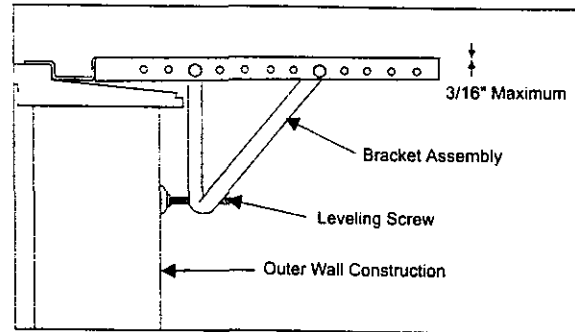


Fig 16

▲ CAUTION ▲

Use a solid piece of wood to provide stability. This will be required when sills are extra deep. See (Fig. 15).

Votr
suis

1 R
sou

2. L
sus
une
nett
fons

3. V
pou
N'C
libre

4 D
ext
à s
rafr

5.L
agr
RA
FA
la r
éle

Ou
un
To
Pe
Cr
Ru
Cis
Ni
Cl

Installation Instructions

8. Installation of the cabinet (Model 73SC005A1C and 73SC008A1C)

A Align one hole in the bottom of the cabinet with one hole in the bracket assembly. Secure the cabinet to the bracket using (3) 1/4" screws provided. Repeat the same procedure on the opposite side of the cabinet. See (Fig. 17)

B Ensure the "L" shaped mounting channel is positioned in front of the sash. The "U" shaped channel on the bottom of the cabinet should be positioned in the track provided on the bracket assembly. Pull the window down until it rests just behind the front of the "L" shaped mounting channel. See (Fig. 18)

C. Check to make sure that the cabinet is slanted slightly downward on the outside. If necessary, re-adjust support bracket as shown in (Fig. 16)

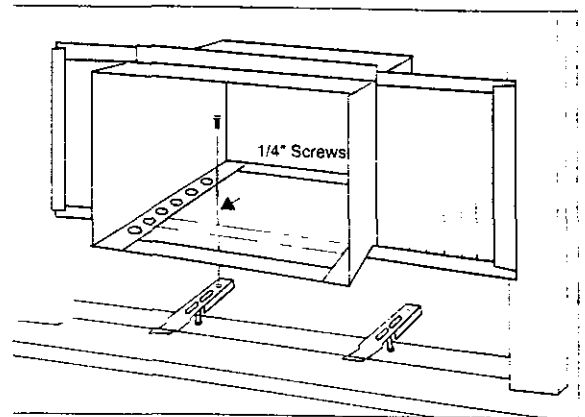


Fig 17

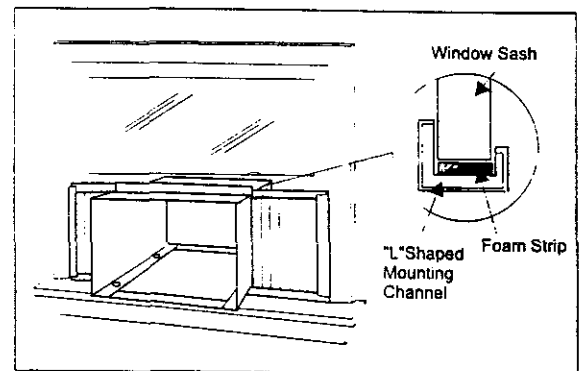


Fig 18

Installation Instructions

9. Secure Shutters

A Carefully slide the air conditioner back into the cabinet.
(Please seek assistance for this procedure)

B Reinstall the slide-out-chassis security screws (removed earlier) on both sides of the cabinet See (Fig 19)
Secure the top of the frames to the window sash with (2) 3/4" screws.

C Now, secure bottom frame of shutters using one shutter clamp and one 3/4" screw on each side(Fig 19)

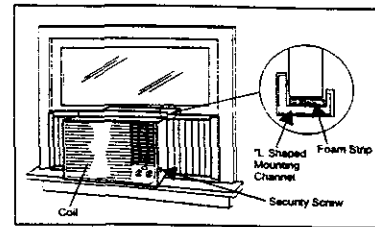


Fig 19

10. Reinstalling Front Panel and Air Inlet Grille (Model 73SC005A1C):

A Position the front panel on the cabinet starting at the top. The front panel lock tabs must be inserted into the retaining slots in the cabinet. Repeat this procedure on all sides.

B Secure the front grille to the cabinet using the Philips screws removed earlier(Fig 20)

C Replace the air filter

D Position air inlet grille on the cabinet and gently press on it

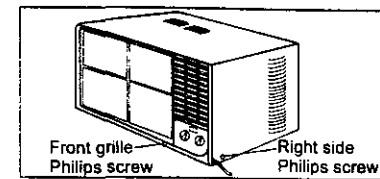


Fig 20

11. Reinstalling Front Panel Assembly (Model 73SC008A1C)

A Position the front panel on the cabinet starting at the top. The front panel lock tabs must be inserted into the retaining slots in the cabinet. Repeat this procedure on all sides.

B Secure the front grille to the cabinet using the Philips screws removed earlier(Fig 21)

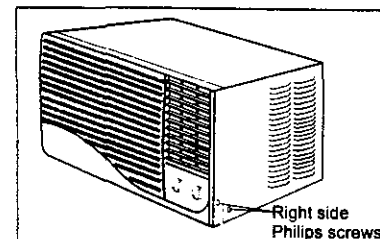


Fig 21

12. Complete the installation

A Cut the **second foam seal** to fit the opening between the top of the inside and outside window. See (Fig 22)

B Some installations may require additional sealing around the window and air conditioner. Check for any air leaks and seal where necessary.

C In very humid areas, the water removal may be excessive enough to overflow the unit or increase the noise of the air conditioner. If this occurs, you may wish to attach a **drain hose (not included)** to the drain plug allowing condensations to run off conveniently. See (Fig 23)

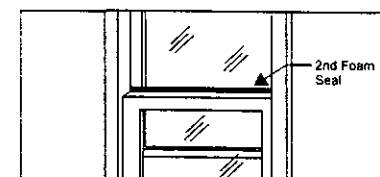


Fig 22

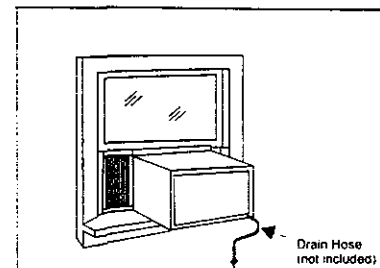


Fig 23

Operating Instructions

MODE

The mode knob controls fan speeds and cooling speeds. To set desired cooling temperature, simply rotate the mode knob dial to the appropriate setting

AUTO AIR SWING Switch

When the **Swing** switch is turned to the "ON" position, the vertical louvers automatically oscillate sweeping the cold air for comfortable cooling

The vertical louvers may be stopped at any position when the **Swing** switch is turned "OFF"

THERMOSTAT

The thermostat automatically controls the cooling cycle (compressor) of the air conditioner to maintain room temperature. However, the fan motor will continue to operate after the compressor (cooling cycle) is completed

LOW FAN will circulate the air at a minimum speed without cooling

HIGH FAN will circulate the air at a maximum speed without cooling

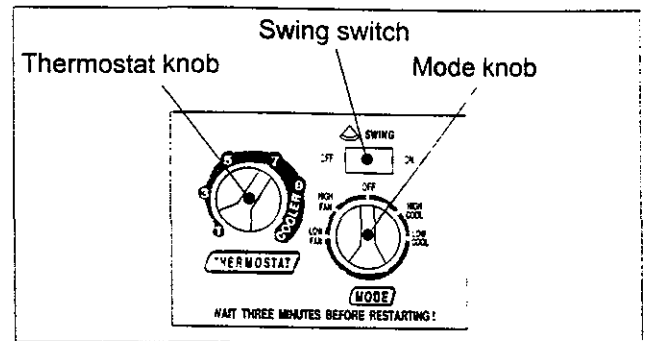
LOW COOL provides cooling, automatically with minimum air circulation Recommended for night-time use

HIGH COOL provides cooling, automatically with quick cooling or for extremely hot days Once room is cooled, reduce setting to **LOW COOL**

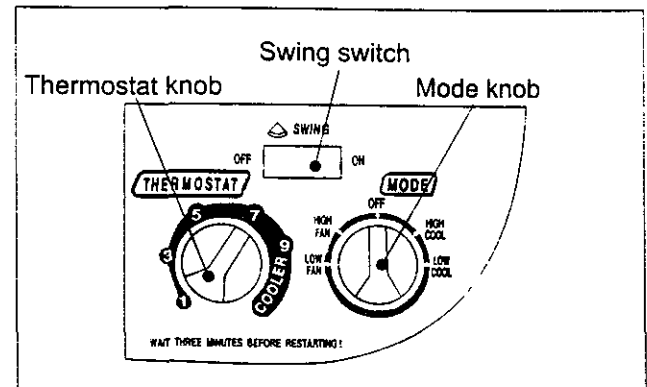
OFF will completely shut-off the unit

NOTE: After setting the mode, allow 3 minutes before switching to another mode.

Fresh Air Ventilation is usually kept in the closed position Use only when clearing smoke and/or odors from the room Pull to open



MODEL 73SC005A1C

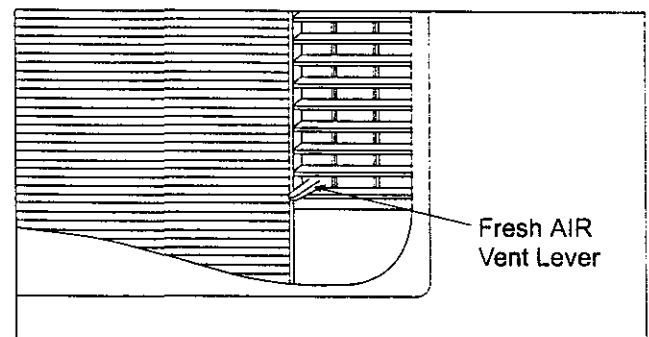


MODEL 73SC008A1C

CAUTION

When using FAN control, turn slowly allowing unit to adjust

When using THERMOSTAT, be sure to allow three minutes before changing temperature Adjusting too quickly may cause an overload resulting in a blown fuse



MODEL 73SC005A1C, 73SC008A1C

Care and Maintenance

When servicing the air conditioner, be sure to turn the mode switch to the "OFF" position and disconnect the power cord from the electrical outlet

- 1 **DOT NOT** use gasoline, benzene, thinner or other chemicals on the air conditioner as these substances may cause damage to the paint finish and deformation of plastic parts
2. Never attempt to pour water directly to the front of the unit as this will cause deterioration of the electrical insulation

Cleaning the Air Filter

Removal of Air Filter

If the air filter becomes clogged with dust, air-flow is obstructed and reduces efficiency. The air filter should be cleaned once a month. More frequent cleaning may be necessary depending on outdoor and indoor air quality.

Air Filter Removal: (Model 73SC005A1C)

The air filter on the above model is located behind the air intake front grill. To remove the air filter, locate the finger indents on bottom side of air inlet grill. Pull forward and lift off front grill. To remove the air filter, grasp the filter handle, lift and pull forward. To reinstall the air filter, reverse the above procedure. The air filter may be vacuumed or washed by-hand in warm water. Dry thoroughly before installing.

Air Filter Removal: (Model 73SC008A1C)

The air filter on the above models is located behind the air intake front grill.

To remove the air filter, grasp the filter handle(tab) located on the right (center) side of the air inlet grille and slide the air filter to the right.

To reinstall the air filter, reverse the above procedure.

CAUTION

DO NOT forget to install the air filter. If the air conditioner is left to operate without the air filter, dust is not removed from the room and may cause your air conditioner to fail.

When the air filter inlet grill and cabinet are dirty, wipe with lukewarm water (below 40°C). Use of mild detergent is recommended.

Cleaning of Air Filter

- 1 Remove dust clogged in the filter by tapping it or vacuum clean it.
- 2 Wash the filter well with lukewarm water below 40°C (104°F) while rubbing lightly. To get better results, wash it with soapy water or a neutral cleaning agent.
- 3 Rinse the filter well using clean water then dry completely.

End-of-Season Care

- 1 Operate the fan alone for half a day to dry out the inside of the unit.
- 2 Turn off power and remove plug from wall socket.
- 3 Clean filter.
- 4 Store in a dry location.

Troubleshooting Guide

via
al

Frequently, a problem is minor and a service call may not be necessary, use this troubleshooting guide for a possible solution. If the unit continues to operate improperly, call 1-800-CARRIER for assistance, or call your closest dealer.

PROBLEM	POSSIBLE CAUSE	SUGGESTED SOLUTION
Air conditioner will not operate	No power to the unit	Check connection of power cord to power source Check fuse or circuit breaker Set FAN CONTROL to position other than "OFF"
Inefficient or no cooling	Dirty air filter Inappropriate capacity for application Blocked air flow Power interruption, settings change too quickly, or compressor overload tripped	Clean or replace air filter Check with dealer to determine proper unit capacity for application Remove obstruction from grill or outdoor louvers Let fan run to restart compressor (in approximately 10 minutes)
Noisy unit	Loose parts Inadequate support	Tighten loose parts Provide additional support to unit
Odors	Formation of mold, mildew, or algae on wet surfaces	Remove drain plug and drain base pan Replace drain plug Clean unit thoroughly
Water dripping outside	Condensation run-off is normal during hot and humid weather	Add flexible tubing to redirect water flow, see (Fig 23 on Page 12)
Water dripping inside	Unit is not properly angled to allow water to drain outside	Unit must be installed on an angle for proper condensation run-off. Check the unit and make adjustments
Ice or frost build-up	Low outside temperature Unit air filter is dirty	When outdoor temperature is approximately 65°F or below, frost may form when unit is in cooling mode. Switch unit to FAN (only) operation until frost melts Remove and clean filter

NOTE:

1 If circuit breaker is tripped repeatedly, or fuse is blown more than once, contact a qualified technician

Free Manuals Download Website

<http://myh66.com>

<http://usermanuals.us>

<http://www.somanuals.com>

<http://www.4manuals.cc>

<http://www.manual-lib.com>

<http://www.404manual.com>

<http://www.luxmanual.com>

<http://aubethermostatmanual.com>

Golf course search by state

<http://golfingnear.com>

Email search by domain

<http://emailbydomain.com>

Auto manuals search

<http://auto.somanuals.com>

TV manuals search

<http://tv.somanuals.com>