

# CONTENTS

|                                      |    |
|--------------------------------------|----|
| INTRODUCTION .....                   | 1  |
| MOUNTING RECOMMENDATIONS .....       | 2  |
| FAN INSTALLATION .....               | 3  |
| CONTROL FEATURES:                    |    |
| INTELI•TOUCH 3 OPERATION .....       | 8  |
| TROUBLESHOOTING INTELI•TOUCH 3 ..... | 16 |

## READ AND SAVE THESE INSTRUCTIONS

## SAFETY FIRST

Safety and the proper operation of your Casablanca fan both require a thorough knowledge of the product and proper installation; therefore, before attempting to install and operate your Casablanca fan, read this owner's manual completely and carefully. Retain this manual for future reference.

**CAUTION:** To avoid possible electrical shock, make certain that electricity is turned off at the circuit breaker or fuse box before attempting any installation procedure.

## BEFORE YOU START

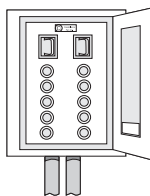
- **CAUTION: RISK OF ELECTRICAL SHOCK!** All wiring must be performed in accordance with national and local electrical codes. If you are unfamiliar with the wiring codes, you should use a qualified electrician. To avoid overheating and possible damage to other equipment, do not install control to a receptacle, fluorescent light fixture, motor operated appliance, or transformer-supplied appliance..
- This fan is designed to be installed on an existing electrical outlet box. The outlet box must be UL Listed for ceiling fan installations, if it is not, a new box must be installed. Casablanca extension poles are available for sloped or high ceiling installations.
- This ceiling fan requires a grounded electrical supply of 120 VAC, 60 Hz and a minimum 15 amp circuit. The maximum current requirement for the fan with light fixture is 3.8 amps. The fan uses about 1 amp or 100 watts. Maximum light current is 2.8 amps or 340 watts of lighting.
- Where wire nuts are employed, be sure all bare wires are within the connectors. When installing the canopy hatch, make sure all wires are within the canopy and that no wires are being pinched.

For best performance and for your warranty to be valid, use only genuine Casablanca blades, light fixtures, and accessories.

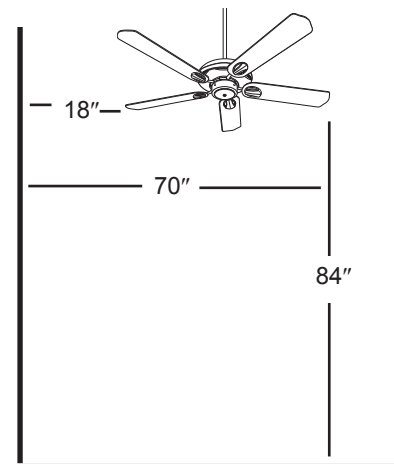
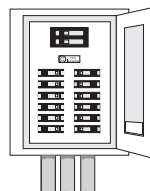
## SAFE USE

- The blades in each pack are matched for equal weight to assure smooth fan operation. If more than one fan is being installed, be careful not to mix blades from different cartons.
- Inspect the contents of your carton for possible shipping or handling damage and report any such damage directly to your authorized Casablanca dealer.
- It is always a good idea to have an assistant to help with the installation.
- When cleaning, painting, or working near your fan, be very careful of the fan and blades. Always turn the power OFF to the ceiling fan before servicing it, working on it, or replacing light bulbs.
- Never insert anything into the path of the fan blades while the fan is in operation.
- Never install a fan over a pool or spa.
- Never operate a fan that has been damaged in any way. Contact Casablanca Fan Company by calling toll free 1-888-227-2178, or contact your local authorized Casablanca dealer for assistance in obtaining service.

FUSE BOX  
(REMOVE FUSE FOR THE  
CIRCUIT YOU WILL BE  
WORKING ON)



CIRCUIT BREAKER  
(TRIP BREAKER FOR THE  
CIRCUIT YOU WILL BE  
WORKING ON)



## MOUNTING RECOMMENDATIONS

Before mounting your Casablanca fan, read the following helpful recommendations. The location of the fan, air circulation, and fan size are all important factors to consider before installation.

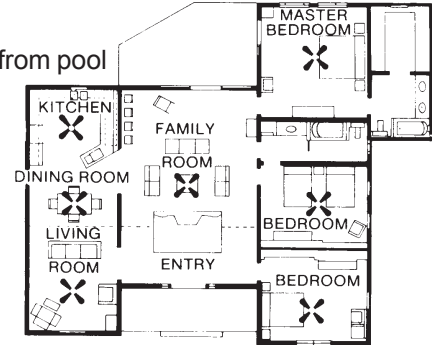
### Location

Ceiling fans have practical uses in almost every room in your home. We suggest you follow these mounting recommendations as you decide where to install your Casablanca fan.

- For safety reasons, the fan blades must be a minimum of 7' above the floor.
- Do not locate the fan in a doorway or above a swinging door.
- In any installation, the tips of the blades must be at least 18" from the wall in order to provide sufficient clearance for the blades.
- In bedrooms, fans work best when mounted above the foot of the bed.
- Over pool tables, be sure to provide plenty of clearance to avoid damage from pool cues.
- In low ceiling locations, our optional Low Ceiling Adaptor (LCA)—available at extra cost—can be used to gain 3 1/2".
- In kitchens be sure to allow for open cupboard doors to clear the fan blades.
- Do not install a fan close to, or over, a pool or spa. High humidity combined with corrosive gases will destroy the finish and warp the blades.

### Fan Size

Variable fan speed capability permits the use of a full-size 52" fan even in smaller rooms. For very large rooms, two fans may be needed.



## SLOPED CEILING INSTALLATIONS

| Suggested Extension Pole Lengths |             |
|----------------------------------|-------------|
| Ceiling Height                   | Pole Length |
| 8'                               | Standard    |
| 8' 6"                            | Standard    |
| 9'                               | 6"          |
| 9' 6"                            | 12"         |
| 10'                              | 12"         |
| 11'                              | 18"         |
| 12'                              | 24"         |
| 13'                              | 36"         |
| 14'                              | 48"         |

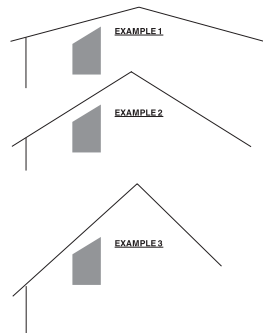
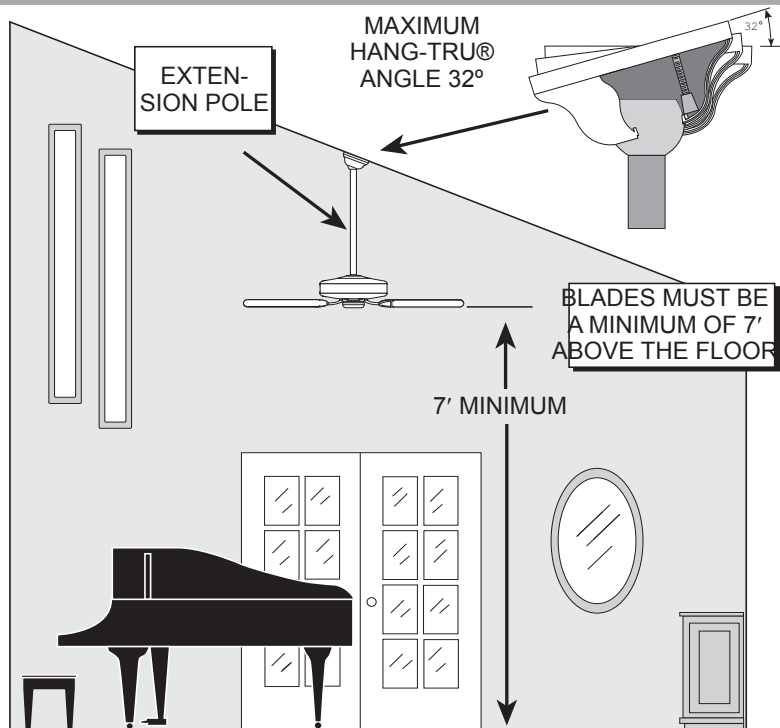
### When to Use Extension Poles

For best performance and best appearance, an extension pole should be used with your Casablanca fan when installing on high (cathedral) ceilings or sloped ceilings. Casablanca offers standard poles in increments of 6" up to 5'. Custom poles are available in lengths up to 10'. See your Authorized Casablanca Dealer for details.

Note: Fan may wobble or vibrate if pole length is not long enough and inside blade is too close to downslope or side wall. Extending pole length will usually solve problem.

### Calculation of 32°

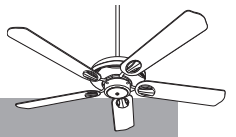
Use the tear-off Ceiling Angle Template card inserted in the back of this manual, it provides you with a simple 'go' or 'no-go' for installing your fan on a sloped ceiling.



**EXAMPLE 1**  
This slope is less than 32°. It is OK to install your fan.

**EXAMPLE 2**  
This slope is 32°. This is the maximum slope that will allow the fan to hang straight down. It is OK to install your fan.

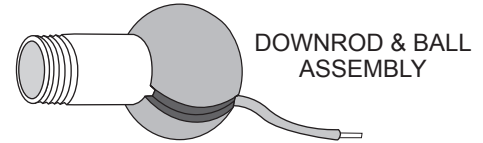
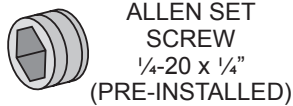
**EXAMPLE 3**  
This slope is more than 32°. Your fan will not hang straight down, an adaptor is necessary. Contact your local Authorized Casablanca Dealer in regards to purchasing a "Slope Ceiling Adaptor."



## INSTALLATION INSTRUCTIONS

**Unpacking:** Before assembling and installing your ceiling fan, remove all parts from the shipping cartons and check them against the parts listed here. Before discarding packaging material, be certain that all parts have been removed.

### PERMA•LOCK™ HARDWARE



### FAN PREPARATION

**IMPORTANT SAFETY INFORMATION!**  
BEFORE STARTING THE INSTALLATION OF YOUR CEILING FAN, INSTALL THE THREADED DOWNROD INTO THE MOTOR COUPLING AND LOCK THE ASSEMBLY

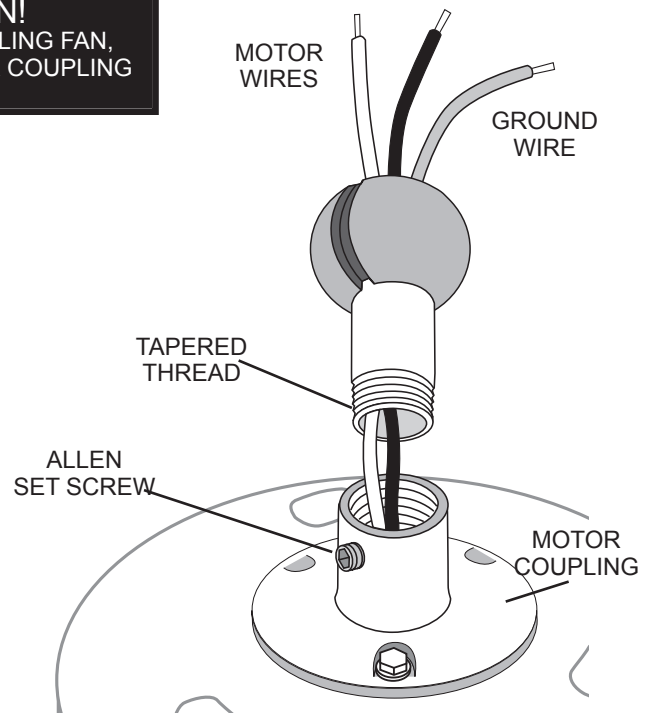
Prepare for fan installation as follows:  
Step A. Route the wires from the motor through the Perma•Lock™ downrod and ball assembly.

Tip: The downrod has a tapered thread that is designed to lock completely when correctly installed.

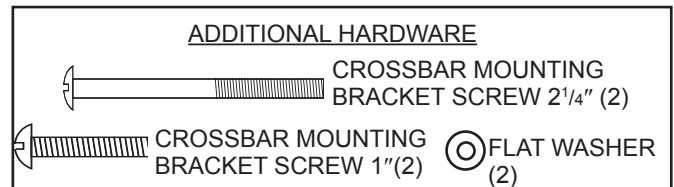
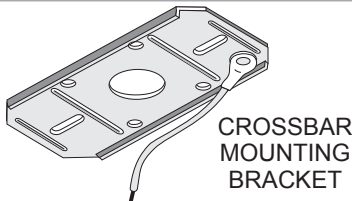
Step B. Using the provided allen wrench, loosen the set screw several turns to allow installation of the downrod. Thread the downrod into the motor coupling until it stops turning, this will take at least four and a half full turns.

Step C. Securely tighten the set screw with the provided allen wrench to ensure safe operation of your fan.

**CAUTION:** Failure to fully lock in the downrod before securely tightening the allen set screw may cause the fan to separate from the downrod during normal operation!



### CEILING HARDWARE



### GETTING STARTED - CONTINUED

**Installing a New Ceiling Fixture Outlet Box**  
If you do not have an existing fixture located where you wish to place your Casablanca fan, an approved ceiling fixture outlet box must be installed and wired.

**Warning:** To reduce the risk of fire, electrical shock, or personal injury, mount to outlet box marked acceptable for ceiling fan support.

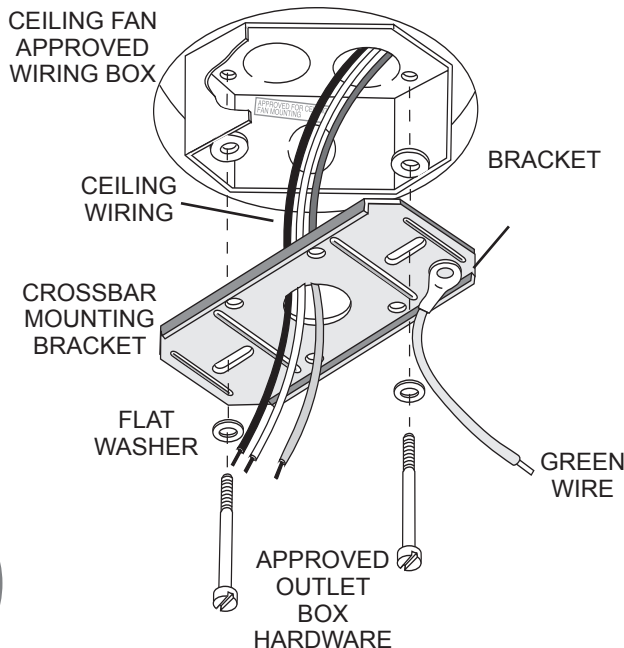
**Using Existing Ceiling Fixture Outlet Box**  
After turning the power OFF at its source (either circuit breaker or fuse box), lower the old fixture and disconnect the wiring. Check the ceiling fixture outlet box to be sure that it is marked 'Approved for ceiling fan mounting'. If it is not, a new box must be installed.

## CROSSBAR MOUNTING BRACKET INSTALLATION

Proceed with installation as follows:

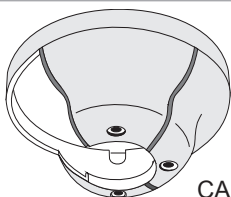
Step 1. Route the wires from the ceiling outlet box through the crossbar mounting bracket center hole. Attach the bracket, with ground wire and ridges down, to the 'Approved For Ceiling Fan Installation' ceiling fixture outlet box with the outlet box mounting hardware. Tighten the screws firmly, being careful not to bend the bracket by over tightening.

**CAUTION:** To reduce the risk of personal injury, use only the mounting hardware provided with the approved outlet box to install the crossbar mounting bracket.

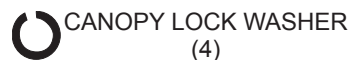


## CANOPY HARDWARE

CANOPY HATCH



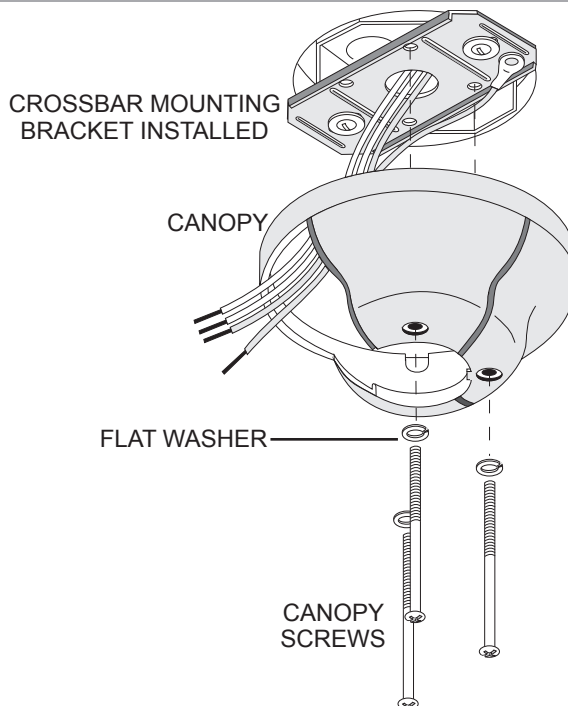
CANOPY

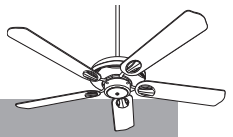


## CANOPY INSTALLATION

Step 2. Attach the canopy to the crossbar mounting bracket with three of the 8-32 x 2 1/2" long canopy screws and canopy lock washers. Hand tighten until snug against the ceiling.

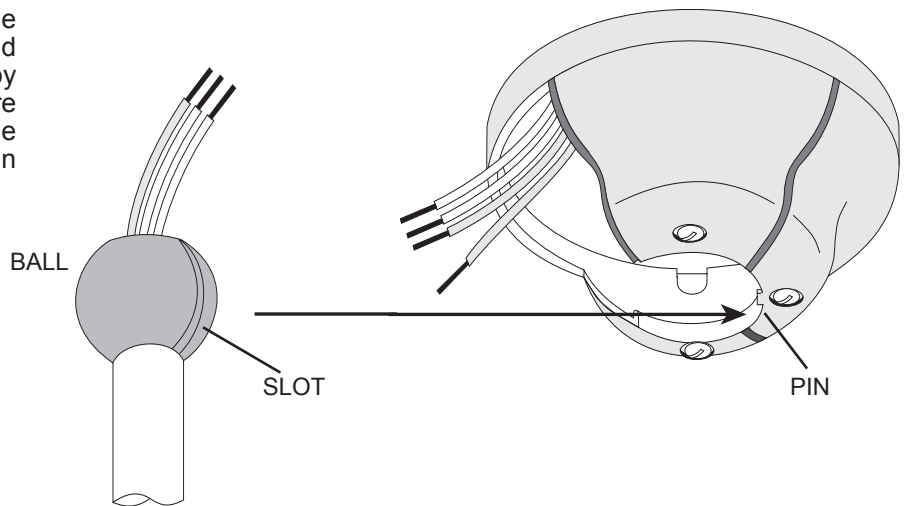
**Note:** On sloped ceilings, align the canopy opening towards the top or room peak.





Step 3. To hang the fan body in the canopy, hold the fan body firmly and insert the nylon ball into the canopy opening. Check that no wires were pinched. Rotate the fan body until the slot in the nylon ball fits into the pin opposite the canopy opening.

Note: Fan weighs 25lbs.

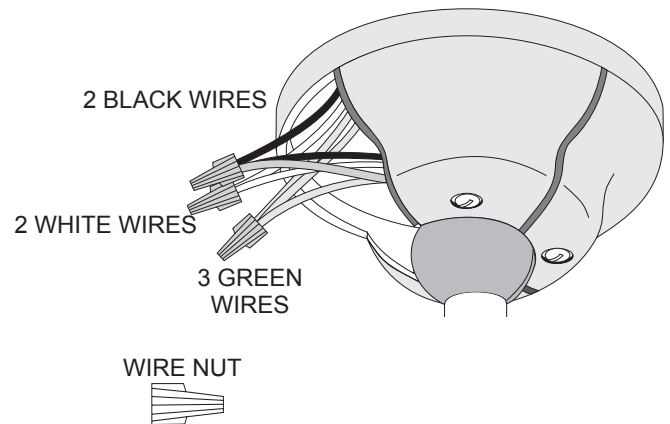


## CANOPY ELECTRICAL CONNECTIONS

Step 4. Attach the fan wires to the ceiling fixture outlet box wiring by twisting the bare ends of the wires together and then securing with a wire nut. Test that the connection is secure by pulling on the wire nut. Connect in this order:

### Electrical Connections

- GREEN leads from mounting plate and fan to GROUND conductor of power source. Secure with wire nut.
- WHITE wire from fan to white NEUTRAL wire in ceiling fixture outlet box. Secure with wire nut.
- BLACK power wire from fan to BLACK power wire in ceiling outlet box. Secure with wire nut.



## CANOPY HATCH INSTALLATION

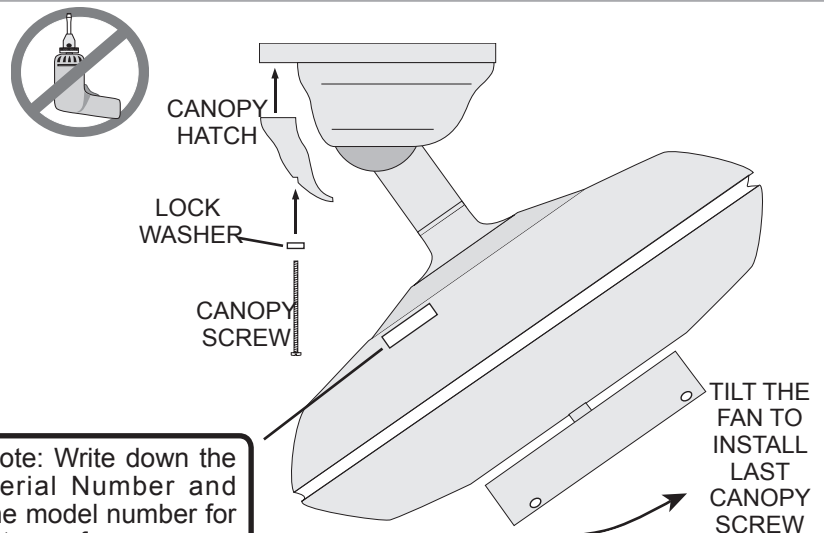
Step 5. Tuck the wires into the canopy with the wire nuts pointed upwards, so that the WHITE and BLACK wires are on opposite sides of the canopy and all wires are clear of the canopy opening.

Step 6. Install canopy hatch with the last canopy screw and lock washer. To do this, tilt the fan body away from the hatch opening.

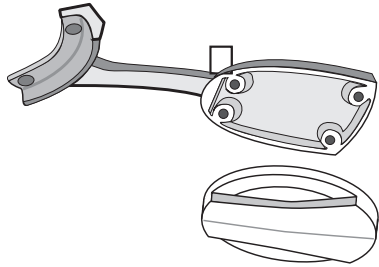
Tighten the screws firmly by hand only,

Step 7. Straighten the fan, then check to ensure that there is no movement between the canopy and ceiling or Hang-Tru ball and top support shaft.

Note: Write down the Serial Number and the model number for future reference.



## BLADE HOLDERS & HARDWARE



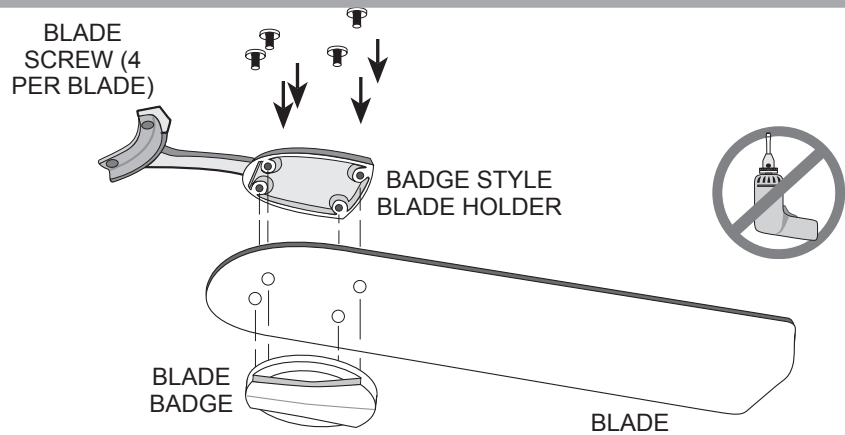
BLADE HOLDER  
SCREW (2 PER  
BLADE)



BLADE  
SCREW (4  
PER BLADE)

## ASSEMBLE BLADE HOLDER & BLADE

Step 8. Attach the blades to the blade holders by first pressing the blade badge into the blade, then installing the blade holder using the four blade screws provided for each blade. Hand tighten securely.



## BLADE/BLADE HOLDER INSTALLATION

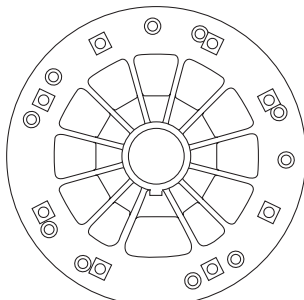
Step 9. Rotate the flywheel so that the screw holes can be accessed through the recessed area of the metal plate.

Attach each blade/blade holder assembly to the motor.

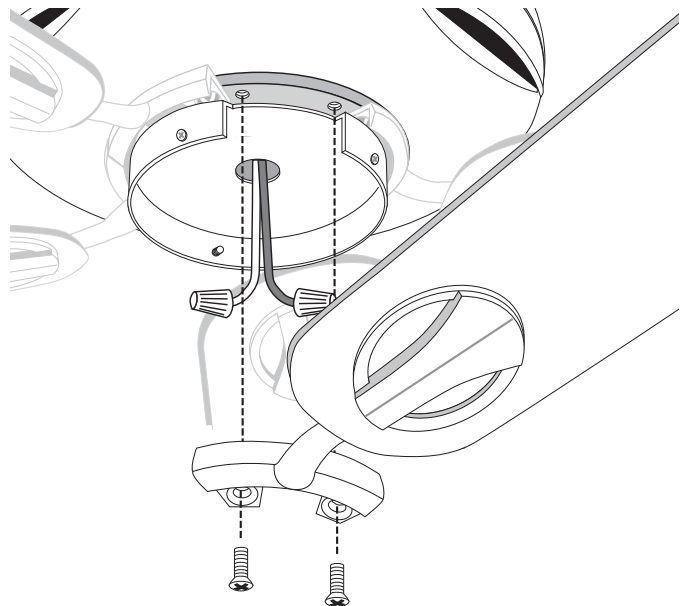
Tighten securely by hand only.

### 4/5 Blade Combination Flywheel

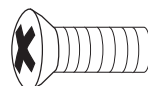
Your Casablanca fan includes our 4/5 combination flywheel. This flywheel accommodates your preference to use either 4 or 5 blades on your fan. If you desire a 4-blade fan, locate the square counterbores on the flywheel and use these threaded holes to mount the blades. If you desire a 5-blade fan, locate the round counterbores on the flywheel and use these threaded holes.

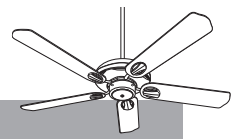


□ = 4-blade mounting hole    ○ = 5-blade mounting hole



BLADE HOLDER  
SCREW  
(2 PER BLADE)

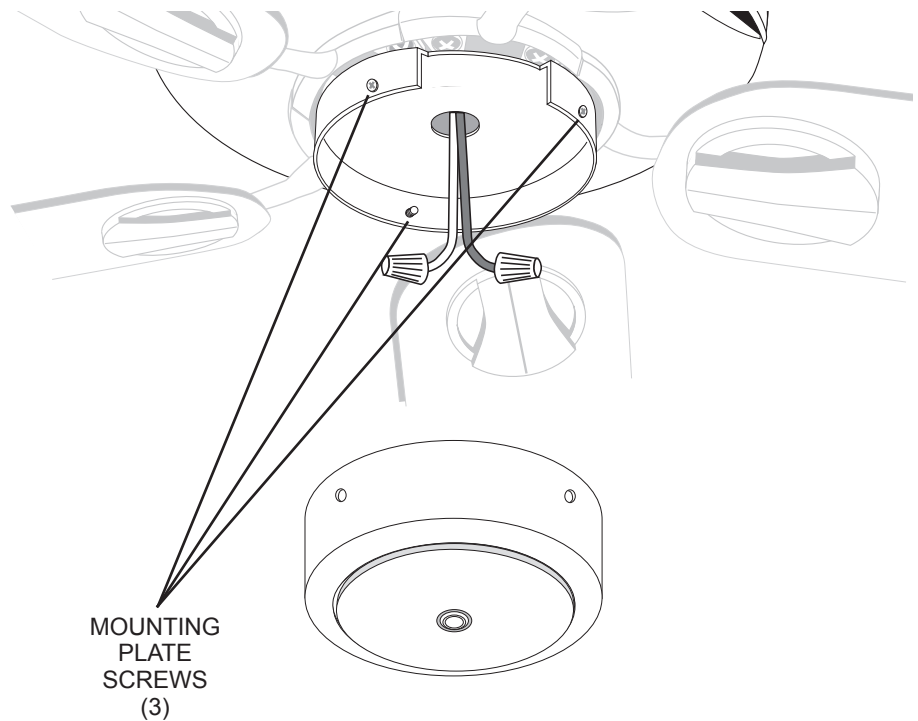




## PREPARING TO INSTALL SWITCH HOUSING CAP

Step 10. Remove the three screws on the mounting plate.

Set aside for Step 12.

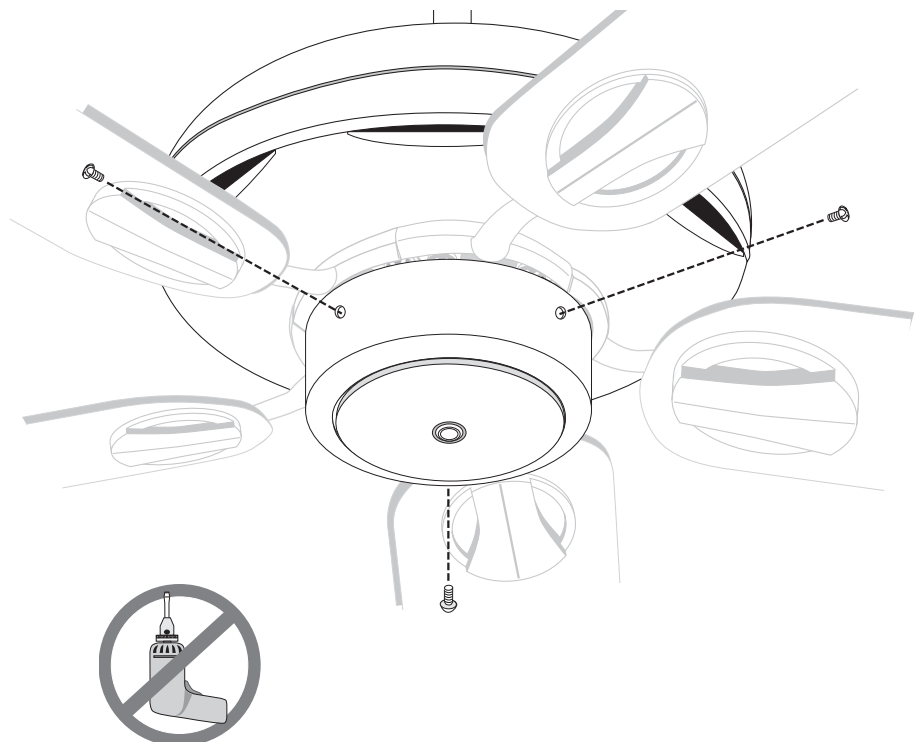


## INSTALLING THE SWITCH HOUSING CAP

Step 11. Line up the three threaded holes in the rim of the switch housing with the three clearance holes in the mounting plate. Carefully slide the switch housing into the mount so that the threaded holes are directly behind the clearance holes.

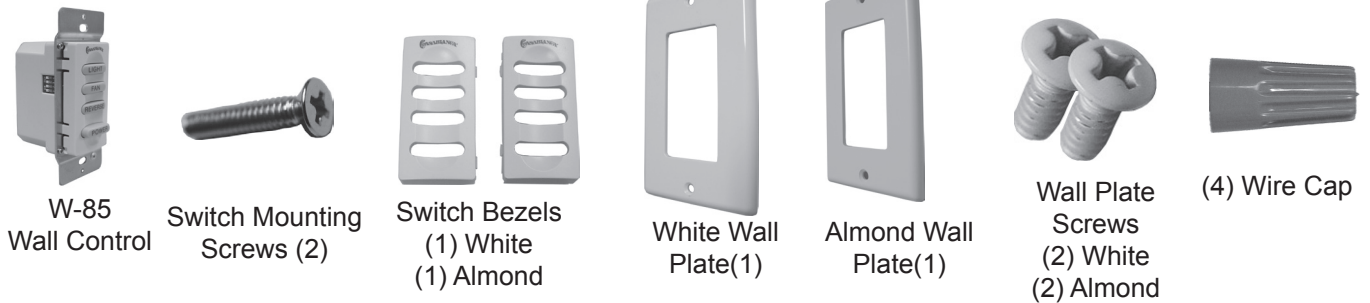
Step 12. Install the three screws removed in Step 10.

Tighten securely by hand only.



**W-85 CONTROL INSTALLATION**

WALL CONTROL AND HARDWARE (not to scale)



**WARNING!**  
To avoid possible electrical shock, make certain that electricity is turned off at the circuit breaker or fuse box before attempting any installation or repair procedure

**CAUTION!** NOT turning the power OFF at the circuit breaker or fuse box may cause damage to the electronics within the wall control and or the PC board on the fan.

Before installing the W-85 wall control you will need to check and see if you will need to change the bezel on the front of the wall control from WHITE to ALMOND. If you are going to use white, skip these steps and go to wall control installation starting on page 10. The bezel can be changed at any time before or after installation. The wall control does not need to be uninstalled to replace the bezel.

**W-85 Wall Control Bezel Replacement installation as follows**

**Step 13a.** Locate the four (4) tabs holding the bezel to the front of the switch, then press in on each tab one at a time, removing the bezel as shown in Figure #1.

**Step 13b.** Locate the rubber key pad attached to the four (4) locating pins as shown in Figure #2 and remove rubber key pad from the WHITE bezel, also as shown in Figure #2.

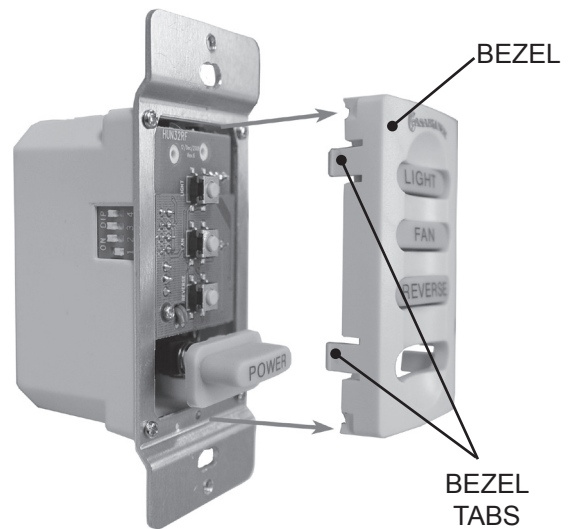


Figure #1

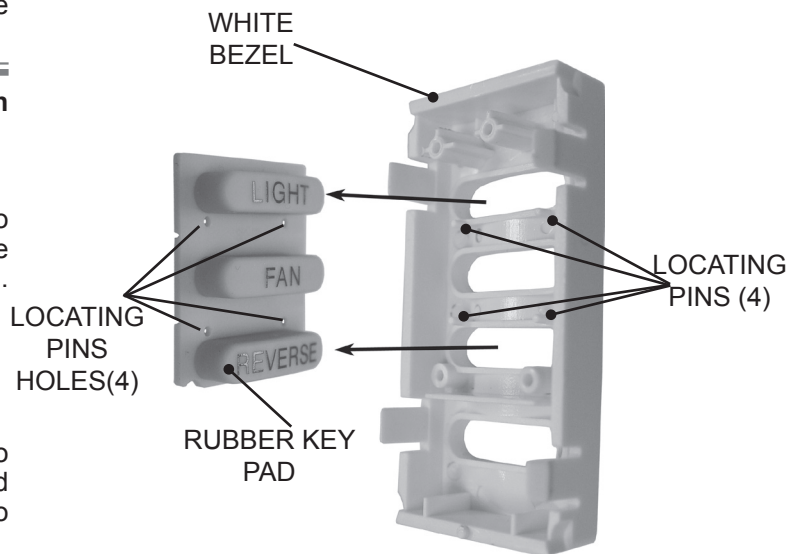


Figure #2



**W-85 Wall Control Bezel replacement: - CONTINUED**

**Step 13c.** Reinstall the rubber key pad on to the four (4) locating pins located on the almond bezel as shown in Figure #3 and #4.

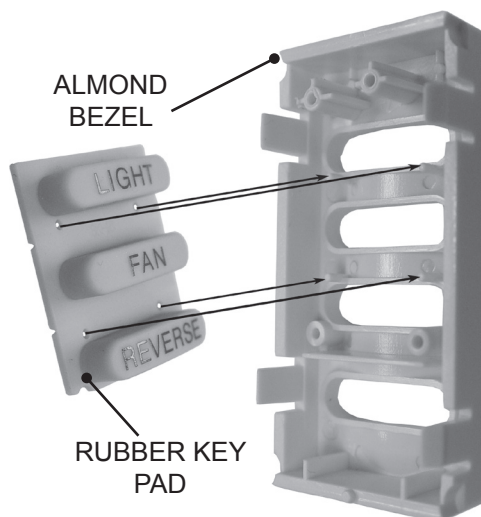


Figure #3

**Step 13d.** To attach the bezel back on to the front of the switch you will need to align the four (4) tabs on the bezel with the front of the wall control and by gently pressing on both top and bottom of the bezel at the same time, snap the bezel back on to the front of the switch as shown in figure #5.

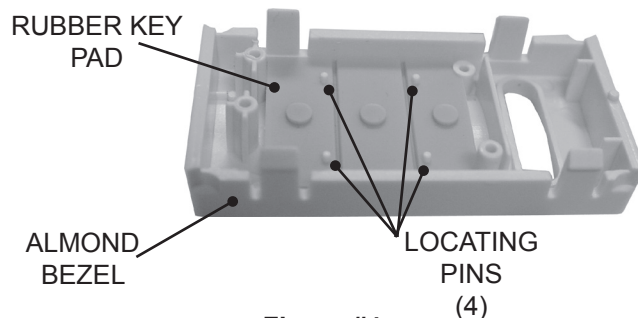


Figure #4

**Step 13e.** Check your work by pressing on the light, fan, reverse and power buttons, making sure that the buttons do not stick and that each switch functions properly.

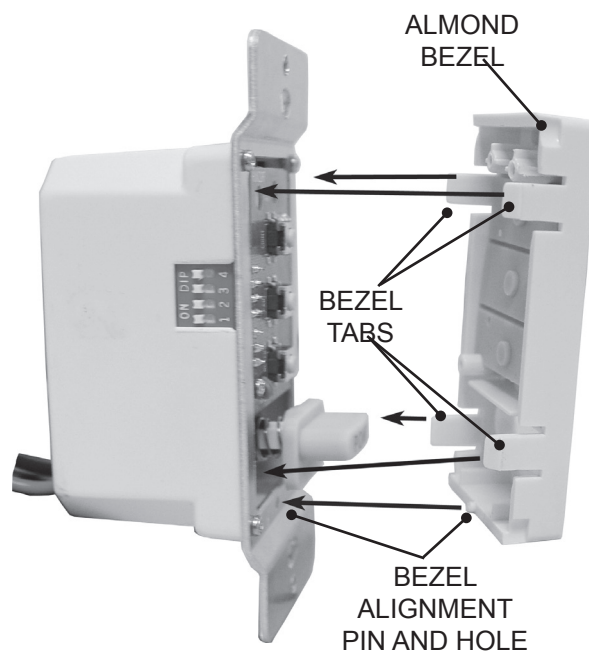


Figure #5

## W-85 CONTROL INSTALLATION

### INSTALLING THE W-85 WALL CONTROL

**NOTE:** W-85 Wall Control should only be installed on Casablanca's Intelli-Touch® 3 fans with DOWNLIGHTS ONLY.

The wall control installs in the same manner as an ordinary light switch, using an existing wall box and wiring. This controller is designed to signal the fan microcomputer as well as perform normal switching operations. For this reason the following precautions must be observed:

1. Use only the Casablanca W-85 wall control.
2. Do not use any additional control with your Intelli-Touch 3 fan (for example, dimmer, or fan speed control).
3. Do not use more than one fan per wall control.
4. No other light fixtures or electrical appliances may be connected on the circuit controlled by the W-85 wall control.

### SINGLE W-85 INSTALLATION

#### CAUTION!

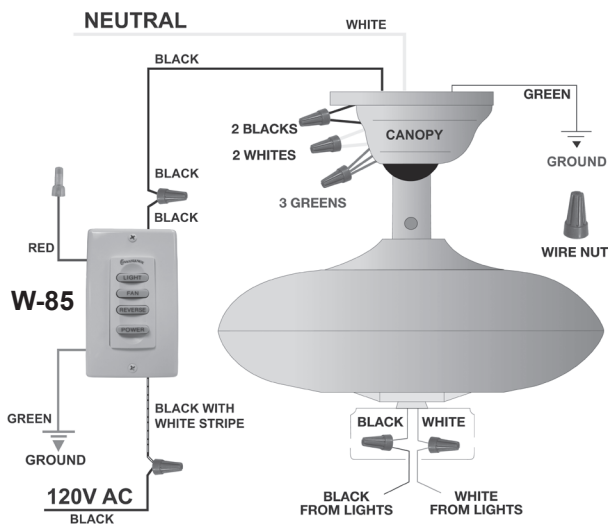
Ensure power is turned OFF at the breaker or fuse panel before starting installation.

W-85 is used to describe either white (-11) or almond finish. If you have multiple Intelli-Touch 3 fans, refer to the section "Changing Frequency Setting" on page 13.

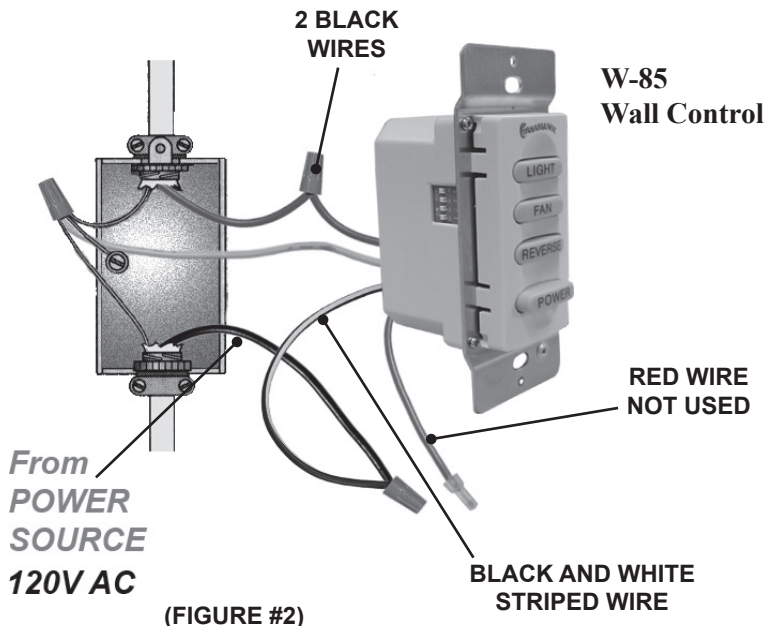
1. Remove the screws and switch plate from the existing switch box.
2. Remove the screws holding the switch in the switch box.
3. Pull the existing switch from the switch box to expose the wire connections.
4. Remove the two wires from the switch.
5. Connect the BLACK wire from the POWER SOURCE that you just removed from the switch to the BLACK/WHITE STRIP wire on the W-85 wall control. Secure this connection with a wire nut.

**NOTE:** The RED wire is not used in this application, DO NOT remove the crimped cap from the wire..

6. Connect the second BLACK wire that you just removed from the switch to the second BLACK wire on the located on the back of the W-85 wall control. Secure this connection with a wire nut.
7. Connect the green ground wire coming from the back of the W-85 control to the ground wire in the switch box. Secure the splice with a wire nut.
8. Check your work by using the wiring diagrams as shown in Figures # 1 and #2.
9. Install the W-85 in the wall box with the two long screws provided.
10. Install the wall plate with the two color-matched screws.



(FIGURE #1)



(FIGURE #2)

**W-85 CONTROL INSTALLATION**

**INSTALLING THE W-85 WALL CONTROL**

**NOTE:** W-85 Wall Control should only be installed on Casablanca's Inteli-Touch® 3 fans with DOWNLIGHTS ONLY.

The wall control installs in the same manner as an ordinary light switch, using an existing wall box and wiring. This controller is designed to signal the fan microcomputer as well as perform normal switching operations. For this reason the following precautions must be observed:

1. Use only the Casablanca W-85 wall control.
2. Do not use any additional control with your Inteli-Touch 3 fan (for example, dimmer, or fan speed control).
3. Do not use more than one fan per wall control.
4. No other light fixtures or electrical appliances may be connected on the circuit controlled by the W-85 wall control.

**SINGLE W-85 INSTALLATION**

**CAUTION!**

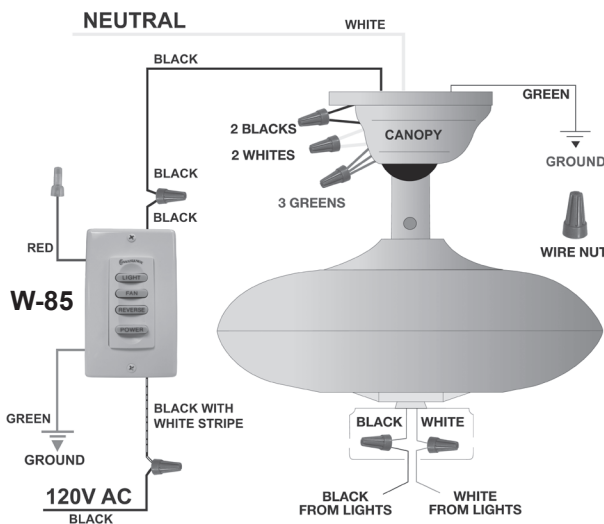
Ensure power is turned OFF at the breaker or fuse panel before starting installation.

W-85 is used to describe either white (-11) or almond finish. If you have multiple Inteli-Touch 3 fans, refer to the section "Changing Frequency Setting" on page 13.

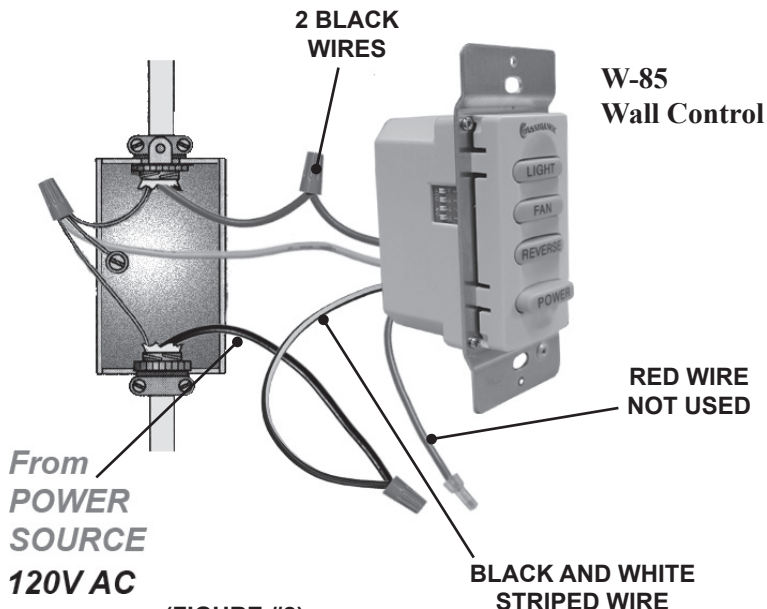
1. Remove the screws and switch plate from the existing switch box.
2. Remove the screws holding the switch in the switch box.
3. Pull the existing switch from the switch box to expose the wire connections.
4. Remove the two wires from the switch.
5. Connect the BLACK wire from the POWER SOURCE that you just removed from the switch to the BLACK/WHITE STRIP wire on the W-85 wall control. Secure this connection with a wire nut.

**NOTE:** The RED wire is not used in this application, DO NOT remove the crimped cap from the wire..

6. Connect the second BLACK wire that you just removed from the switch to the second BLACK wire on the located on the back of the W-85 wall control. Secure this connection with a wire nut.
7. Connect the green ground wire coming from the back of the W-85 control to the ground wire in the switch box. Secure the splice with a wire nut.
8. Check your work by using the wiring diagrams as shown in Figures # 1 and #2.
9. Install the W-85 in the wall box with the two long screws provided.
10. Install the wall plate with the two color-matched screws.



(FIGURE #1)

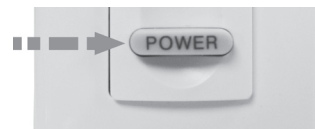


(FIGURE #2)

## OPERATION POWER

The **POWER** button is normally left in the on position. Always turn the power off during cleaning or servicing the fan and during thunderstorms. It is also used to exit or enter additional programs.

The **POWER** button must be left on to retain a previously set fan speed or light level.



## OPERATION SPEED CONTROL

There are six individual speed settings for the fan; each speed is indicated by an audible tone of increasing pitch.

To select the desired fan speed:

1. With fan off, press and hold the button labeled **FAN**. The fan blades will start rotating at the slowest speed, and will increase in steps.
2. Release the button when the desired speed is reached.

The fan speed is now in memory and will automatically come on at the same speed each time the **FAN** button is used. To maintain this level of speed, turn the fan on by pressing **FAN** less than one second. To lower speed, turn fan off, then on by pressing and holding the **FAN** button until the desired speed is reached. When the fan is on, you may increase the speed by pressing and holding the **FAN** button until the desired speed is reached, then release it.

### FAN CONTROL

**ON - OFF:**  
A momentary press of the **FAN** button

**CHANGE SPEED:**  
Press and hold **FAN** button longer than one second



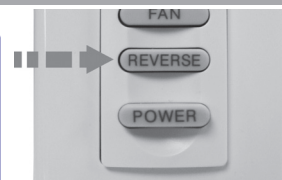
## OPERATION REVERSING AIRFLOW

The direction of airflow can be changed from downward to upward or from upward to downward.

To reverse the airflow:

1. Make sure the **FAN** is on and blades are Turning.
2. Press the **REVERSE** button.

**Note:** A four-toned signal indicates the command was accepted by the fan. A few seconds later the fan will slow to a stop and then reverse direction.



## OPERATION LIGHTS

To turn the lights off and on, press and release the **LIGHT** button for less than one second.

- 1) First press/release of the **LIGHT** button- The light will turn ON.
  - 2) Second press/release of the **LIGHT** button- The light will turn OFF.
- To vary the light brightness at each touch level:

### To vary the light brightness:

1. With lights off, press and hold the button. After one second the lights will come on at their lowest level and gradually become brighter.

**NOTE: Light Operation** - the light varies from "bright" to "dim" over approximately 8 seconds. This sequence will reverse the light when it reaches the brightest or dimmest level if you continue to hold the **LIGHT** button. Release the button when the desired level is reached.

2. Release the button when the desired brightness level is reached.

The brightness level is now in the fan memory and will automatically come on at the same brightness the next time the button is used.



### LIGHT CONTROL

**ON - OFF:**  
A momentary press of the **LIGHT** button

**CHANGE BRIGHTNESS:**  
**PRESS AND HOLD LIGHT BUTTON LONGER THAN ONE SECOND**

CHANGING FREQUENCY SETTING

**NOTE: All fans leave the factory set to "1111"**

You will only have to change the dip switch settings in the remote if you are using more than one fan in the same area and want to control them separately.

**NOTE: DO NOT set dip switch setting in the remote to '0000', this may cause frequency interference from other Casablanca Products.**

Step 1. Turn power OFF at the circuit breaker or fuse box and at the toggle switch, for the fan you want to change.

Step 2. Remove the screws and switch plate from the existing switch box.

Step 3. Remove the screws holding the switch in the switch box.

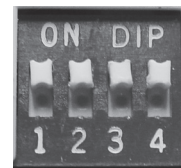
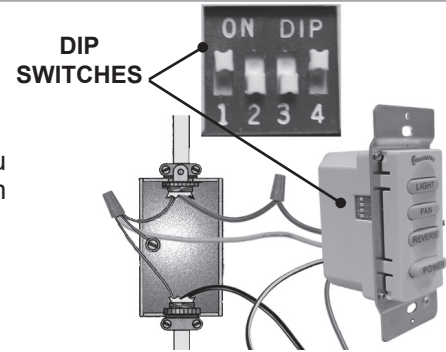
Step 4. Pull the existing W-85 switch from the switch box to expose the dip switches located on the side of the control as shown in Figure #1.

Step 5. Change the dip switch settings, assuring that they are different from the previously installed Intel-Touch<sup>®</sup> 3 fan.

Step 6. Mount the W-85 Wall Control unit back into the wall electrical box.

Step 7. At the circuit breaker or fuse box and at the toggle switch, turn the power off for the fan whose frequency you are changing.

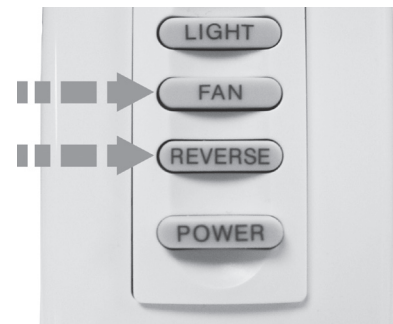
Step 8. Within 20 seconds of restoring power to the ceiling fan and the W-85 Wall Control press and hold both the "FAN" and "REVERSE" buttons as shown in Figure #2 for 3 seconds, you will hear one tone from the Piezo Buzzer indicating the command has been accepted.



DIP SWITCHES SET TO '1111' (Factory Setting)



DIP SWITCHES SET TO '1001'



AUTOMATIC DEMONSTRATION PROGRAM

Programmed into every Intel-Touch<sup>®</sup> 3 Series fan is an Automatic Demonstration Program. It can be used to fully demonstrate and test the operation of the fan.

**To enter the demonstration program:**

1. Turn **POWER** off for at least 5 seconds. This will clear the fan memory ready for programming.
2. Turn **POWER** on.
3. Immediately operate the buttons in the following sequence:

**FAN + LIGHT + FAN + LIGHT + FAN**

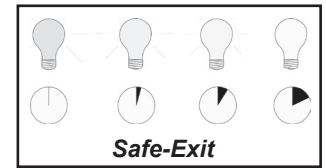
A multi-tone signal will verify the start of the test program which proceeds as follows:

- Lights slowly increase to full intensity.
- Fan accelerates to speed three with audio tones.
- Light dims to half intensity.
- Fan accelerates to full speed with audio tones.
- Fan reverses at full speed with audio tones.
- Fan operates at full speed.
- Fan turns off with audio tones (blades coast for a short time).
- Lights turn off.

The complete cycle lasts slightly over one minute. It will continue to repeat until the **POWER** is turned off for more than five seconds, cancelling the program.

OPERATION SAFE-EXIT<sup>®</sup> AND LIGHT-MINDER<sup>®</sup> PROGRAM

**NOTE:** Both Light-Minder and Safe-Exit programs will always run at the same time.



The **Safe-Exit Program** gives you about thirty seconds of light when you turn the lights off, enabling you to exit your home before the lights go out. To enter the Safe-Exit Program:

- 1) To operate the lights for Safe-Exit Program – Press the **POWER** button off for at least five seconds.
- 2) Turn the Power on. Immediately press the buttons in the following sequence: **FAN** + **FAN** + **LIGHT** + **LIGHT**. Immediately press the **LIGHT** Button after an audio tone is heard from the fan controller. The lights will blink to indicate this command has been accepted. The lights will stay on for 30 seconds and then begin to dim. After thirty seconds have elapsed, the lights will turn completely off.
- 3) To cancel the Safe-Exit Program, press the **POWER** button off for five seconds.

**NOTE:** If the lights are left on in the room, the lights will automatically turn OFF after 2 hours. ( this is Light-Minder)

The **Light-Minder Program** automatically turns OFF the fan mounted lights after two hours.

**To enter the Light-Minder Program:**

- 1) To operate the lights for Light Minder Program – Press the **POWER** button off for at least 5 seconds.
- 2) Turn the **POWER** on. Immediately press the buttons in the following sequence: **FAN** + **FAN** + **LIGHT** + **LIGHT**. A series of tones will be heard through the piezo-buzzer indicating the command has been accepted. Once the lights turn on, they will automatically turn off after 2 hours.
- 3) Light operation still remains normal, if you leave the room and turn OFF the lights will blink to indicate this Safe-Exit command has been accepted. The lights will stay on for 30 seconds and then begin to dim. After thirty seconds have elapsed, the lights will turn completely off.
- 4) To cancel the Light-Minder and Safe-Exit Programs, press the **POWER** button.



OPERATION HOME-SAFE<sup>®</sup> PROGRAM

The **Home-Safe Program** makes an unoccupied home appear occupied by turning the lights on and off at random times.

To enter the Home-Safe Program:

- 1) To operate the lights and fan for Home Safe Program – Press the **POWER** Button off for a least 5 seconds.
- 2) Turn the **POWER** on. Immediately press the buttons in the following sequence: **LIGHT** + **LIGHT** + **LIGHT** + **FAN**. A series of tones will be heard through the piezo-buzzer and flashing lights indicating the command has been accepted will follow. This program overrides all manual control of lights and fan. Once the lights turn on, they will automatically turn off after 2 hours.
- 3) The lights will automatically cycle on and off in a controlled sequence as follows: ON 1 hour, OFF ½ hour, ON 2 hours, OFF 1 hour, ON ½ hour then OFF 2 hours. This seven hour pattern will repeat continuously so that a different pattern of lighting is seen each day of the week.
- 4) To cancel the Home-Safe Program, press the **POWER** Button OFF for five seconds.





## OPERATION FAN-MINDER™ PROGRAM

The Fan-Minder feature will add to your comfort when used in the bedroom. The program reduces the speed of the fan each two-hour interval to compensate for cooling night air.

To enter the Fan-Minder Program:

1. Turn the **POWER** OFF for at least 5 seconds.
2. Turn the **POWER** ON.
3. Immediately operate the buttons in the following sequence:

**LIGHT** + **LIGHT** + **FAN** + **FAN**

4. The fan will respond with three descending tones. A timer is now initiated and the fan will reduce one speed for each two-hour interval. The fan will not, however, descend below the second lowest speed.
5. You may increase the fan speed by pressing and holding the **FAN** button until the desired speed is reached, then release it. The fan will again reduce one speed for each 2 hour interval.
5. To cancel the Fan-Minder Program, turn the **POWER** OFF for three seconds.



## TROUBLESHOOTING TIPS

Please refer to this troubleshooting guide before requesting service or contacting your dealer for assistance.

| PROBLEM                           | POSSIBLE REMEDIES   |
|-----------------------------------|---|
| Fan will not start                | <ul style="list-style-type: none"> <li>• Check the main circuit fuses, circuit breakers, and wall switch position. Check all wire connections. Make sure the power is turned off during this inspection.</li> <li>• Pin connectors are not making good contact. Check all connections.</li> <li>• The fan receiver is defective. Replace the fan receiver.</li> <li>• Reset the frequency setting: Turn the power off at the circuit breaker for the fan that is not functioning only. Within 20 seconds from restoring power to the ceiling fan and the W-85 Wall Control press and hold both the “Fan” and “REVERSE” buttons as shown in Figure #2 for 3 seconds, you will hear one tone from the Piezo Buzzer indicating the command has been accepted. The Fan will come on at “low” speed in the reverse direction.</li> </ul> |
| Fan wobbles or shakes excessively | <ul style="list-style-type: none"> <li>• Be sure the canopy pin is set properly into the slot on the ball.</li> <li>• Check that the blade holders have not been bent during installation and the blades are balanced.</li> <li>• The hanger bracket and/or the ceiling outlet are attached too loosely. Make sure the hanger bracket is attached tightly to the ceiling outlet box and the downrod assembly is secured firmly.</li> <li>• The downrod is attached to the downrod base too loosely. Make sure all the screws are securely tightened.</li> </ul>   |
| Fan is noisy during operation     | <ul style="list-style-type: none"> <li>• When changing fan speeds, you may hear several audible clicks. This is normal operation.</li> <li>• Check and tighten the light fixture retaining screws, glass shade screws, and/or lightbulb(s).</li> <li>• Tighten the canopy screws and mounting plate assembly. Make sure the wire nuts inside the canopy and switch housing are not touching the metal parts and that they have not fallen off the wire splices. Tighten as necessary.</li> <li>• Tighten the blade holders to the flywheel (or Direct Drive motor) and the blades to the bladeholder screws.</li> <li>• Make sure all the screws in the motor housing are snug but not overly tight.</li> </ul>   |
| Fan does not run on low speed     | <ul style="list-style-type: none"> <li>• If fan is new, it may need to be “broken in.” Run at high speed for several days.</li> </ul>   |

This device complies with RSS-210 of Industry Canada. Operation is subject to the following two conditions: (1) this device may not cause interference, and (2) this device must accept any interference, including interference that may cause undesired operation of the device.

1. This device complies with part 15 of the FCC Rules. Operation is subject to the following two conditions: (1) this device may not cause harmful interference, and (2) this device must accept any interference received, including interference that may cause undesired operation.

2. This equipment has been tested and found to comply with the limits for a Class B digital device, pursuant to Part 15 of the FCC Rules. These limits are designed to provide reasonable protection against harmful interference in a residential installation. This equipment generates, uses and can radiate radio frequency energy and, if not installed and used in accordance with the instructions, may cause harmful interference to radio communications. However there is no guarantee that interference will not occur in a particular installation. If this equipment does cause harmful interference to radio or television reception, which can be determined by turning the equipment off and on, the user is encouraged to try to correct the interference by one or more of the following measures: Reorient or relocate the receiving antenna, Increase the separation between the equipment and receiver, Connect the equipment into an outlet on a circuit different from that to which the receiver is connected. Consult the dealer or an experienced radio/TV technician for help. Note: Any changes or modifications to the transmitter or receiver not expressly approved by Casablanca Fan Company may void one’s authority to operate this remote control.

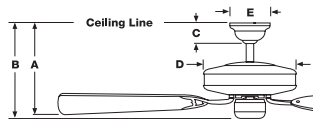


## PRODUCT SPECIFICATIONS

Model Name: Metropolitan®  
Model Number: 64xxZ

Dimensions: A = 12"  
B = 12.2"  
C = 3"  
D = 12"  
E = 5.6"

NOTE: Dimension B includes light fixture and glass.



Weight: 25 lbs.

Motor: XLP-2000®  
Blade Span: 44" & 54"  
Blade Iron Pitch: 15°  
No. of Blades: 5  
Technology: Intelli•Touch® 3 W-85

Airflow: 6,003 cfm  
Electricity Use\*: 119 watts  
Airflow Efficiency\*: 50.5 cfm/watt

\* Performance data is for fan only. No lighting wattage is included.  
Measurements taken with 21" basic blades.



## Free Manuals Download Website

<http://myh66.com>

<http://usermanuals.us>

<http://www.somanuals.com>

<http://www.4manuals.cc>

<http://www.manual-lib.com>

<http://www.404manual.com>

<http://www.luxmanual.com>

<http://aubethermostatmanual.com>

Golf course search by state

<http://golfingnear.com>

Email search by domain

<http://emailbydomain.com>

Auto manuals search

<http://auto.somanuals.com>

TV manuals search

<http://tv.somanuals.com>