



Ventless Fireplace

Models: UVDR36C UVDR42C

INSTALLER/CONSUMER SAFETY INFORMATION

Read and save these instructions.

This book contains your installation instructions and should be kept in a safe place. For you to realize all the advantages and use of the reliable service that has been engineered into your CFM Corporation fireplace, you must carefully follow all of the instructions contained in this book regarding installation and operation of the fireplace.

These instructions should be read carefully in their entirety before beginning installation of the fireplace.

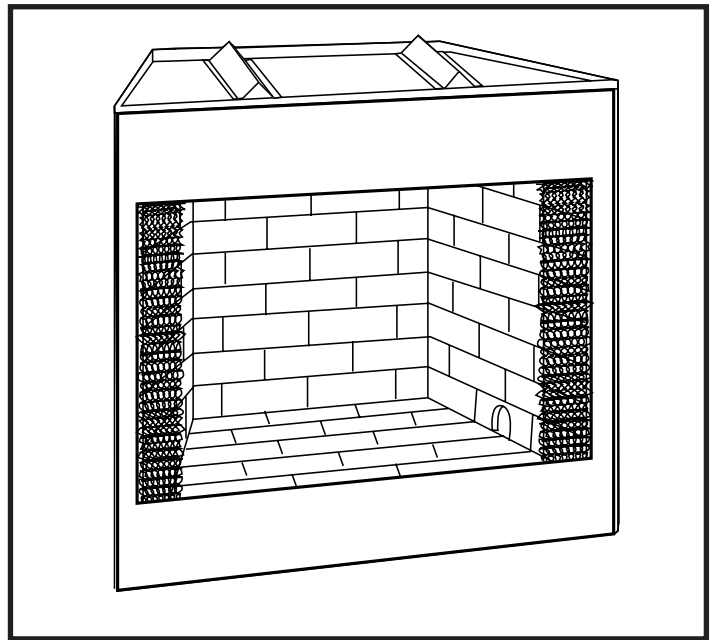
It is suggested that you wear work gloves and safety glasses to protect your hands and eyes when installing your fireplace. NOTE: Authorities having jurisdiction (i.e. building inspectors, fire marshals, etc.) should be consulted before installation to determine the need to obtain a permit.

When installing the Blower Kit, it is necessary to bring the power source to the fireplace before walls are enclosed. Refer to Blower Kit instructions.

These fireboxes are approved as universal fireboxes and can be paired with any ANSI Z21.11.2 approved vent-free log set. The vent-free log manufacturer's instructions - including their required dimensional clearances for firebox size, - must be followed.

Refer to the manual that is packed with the log set for operating instructions.

Not for use in bedroom or bathroom installations.



Homeowner's Installation and Operating Manual



**INSTALLER: Leave this manual with the appliance.
CONSUMER: Retain this manual for future reference.**

Table of Contents

Hearth Dimensions 2
Fireplace Dimensions 3
Installation Instructions 4
 Locating the Fireplace 4
 Gas line 4
 Drafts 4
 Clearances 4
 Installing the Firebox 5
 Finishing the Fireplace 7
 Hearth Extension 7
 Pre-wiring of Junction Box 7
 Electrical Services 7
 BL-4 Blower Installation 8
 UVDR36C Installation 8
 UVDR42C Installation 8
 Install Optional Outside Air Kit 9
Replacement Parts 11
Accessories 12
Servicing 12
Warranty 15

UVDR36C, UVDR42C
Certified To
ANSI Z 21.91a - 2002
Ventless Fireboxes
for use with
any ANSI Z21.11.2
Unvented Room Heaters

Units:
UVDR36C GF1VF2
UVDR42C GF1VF4

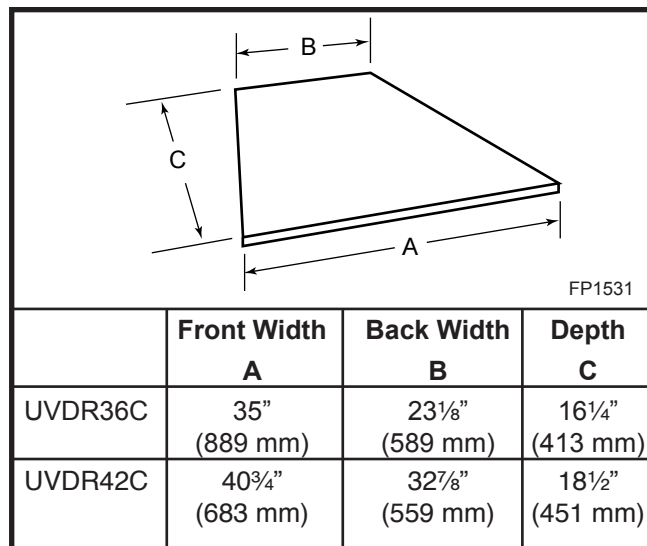


Fig. 1 Hearth dimensions.

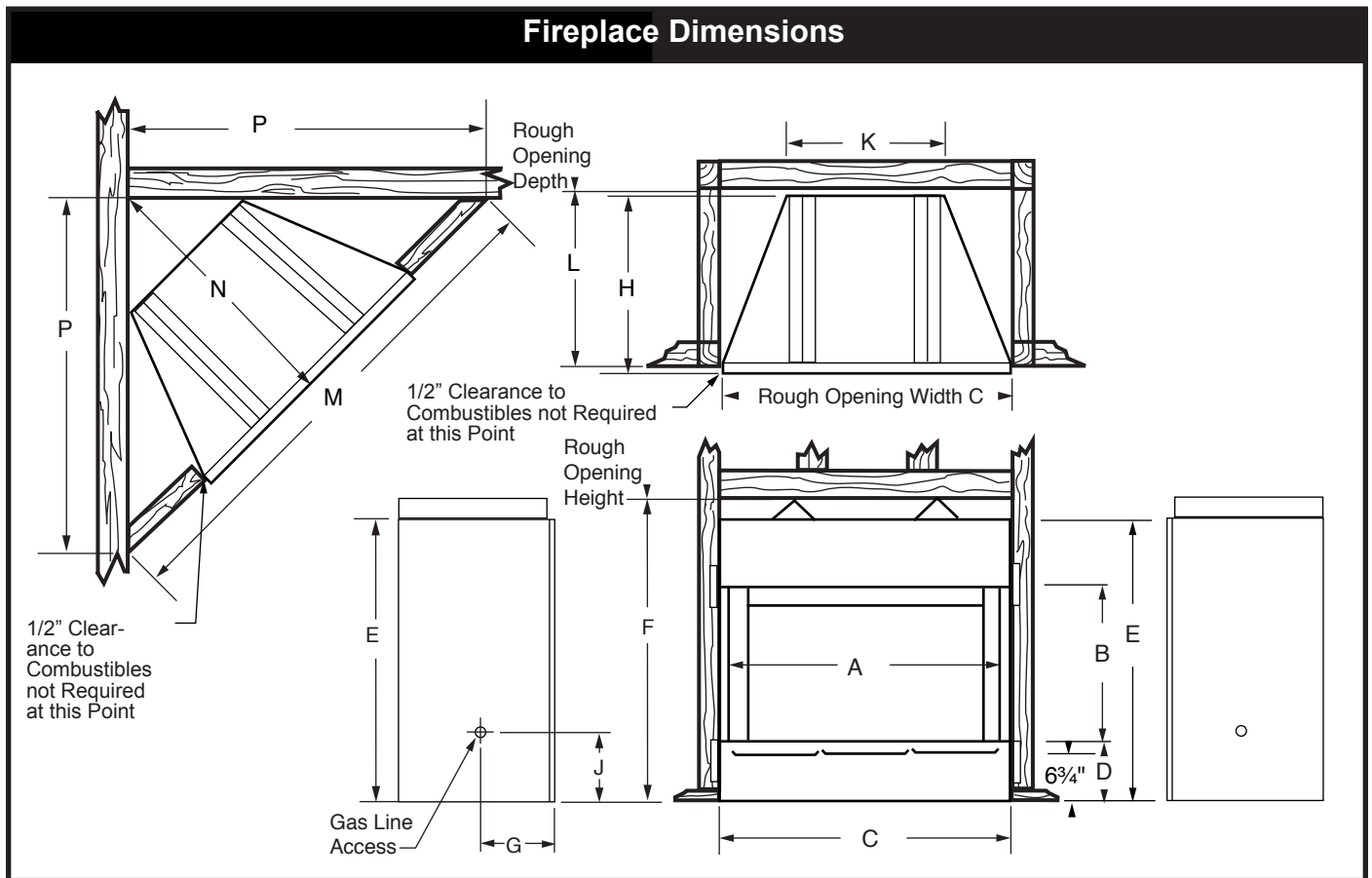


Fig. 1a UVDR36/42C specifications and framing dimensions.

	UVDR36C	UVDR42C
A	36"	42"
B	21 ⁷ / ₈ "	21 ⁷ / ₈ "
C	39"	45"
D	7"	8"
E	35"	39"
F	38 ¹ / ₄ "	42 ¹ / ₄ "
G	9"	10 ¹ / ₂ "
H	21"	22"
J	8 ⁵ / ₈ "	9 ³ / ₄ "
K	22"	32"
L	21"	22"
M	65"	76 ¹ / ₄ "
N	32 ¹ / ₂ "	38 ¹ / ₈ "
P	46"	54"

Installation Instructions

Locating the Fireplace

Figure 2 shows some of the many ways your fireplace may be installed. Consider the traffic pattern in your room and the location of doors and windows. Moving air from ceiling fans, open doors and hot air grilles may cause the flames to soot. If a disturbance is found that effects the flames, it must be eliminated by turning off the ceiling fan, closing the door or closing or moving the hot air register. A corner location may be best where space is limited.

Your fireplace weighs no more than some of your fine furniture. If the fireplace is located near a load bearing wall, additional supports to the foundation will not be necessary. HEAVY FACINGS SUCH AS BRICK, STONE, ETC., MAY REQUIRE ADDITIONAL FOUNDATION SUPPORT.

ALTHOUGH THIS UNIT MAY BE INSTALLED ON COMBUSTIBLE SURFACES, IT MUST NOT BE INSTALLED ON CARPET OR VINYL.

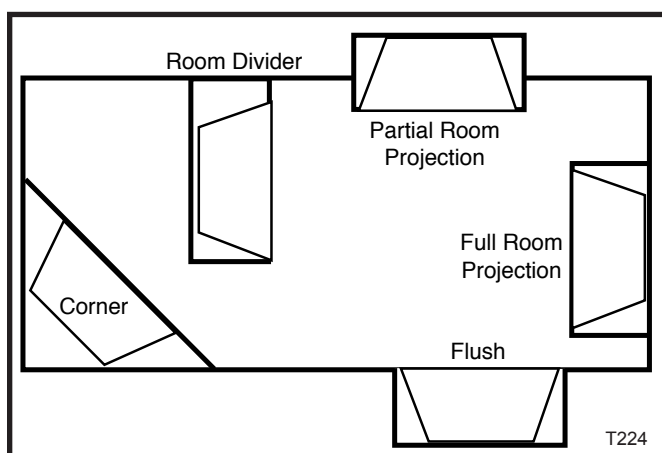


Fig. 2 Locating the fireplace.

Gas Line

The gas line must be installed before framing in the fireplace by a licensed gas line installer.

Drafts

Do not locate the fireplace in high traffic areas or areas exposed to high drafts and winds. Locate the fireplace away from furniture and draperies.

Fireplace Clearances

The fireplace may be placed directly on a combustible floor, against a combustible wall at marked clearances or on a raised wooden platform.

If the fireplace is to be installed on a raised wooden platform, the platform must be a continuous level surface. The fireplace must be secured in place so it cannot shift positions. The nailing flanges on the sides of the firebox make securing it to the framing easy. They were designed to allow the installation of 1/2" wallboard or plywood flush with the face of the fireplace.

Only the header (Fig. 1) may rest on the standoffs on top of the firebox.

When the fireplace is installed over carpeting, vinyl, tile or any combustible material other than wood flooring, it must be installed on a metal or wood panel extending its full width and depth. Alternatively, the carpeting, vinyl tile, etc., may be removed from beneath the fireplace before installing. COMBUSTIBLE MATERIALS MUST NOT BE INSTALLED OVER OR TOUCH ANY BLACK PAINTED SURFACE. DO NOT BLOCK HEAT CIRCULATING AIR OUTLETS. DOING SO MAY RESULT IN POTENTIAL FIRE HAZARD.

Clearances

To ensure a safe installation the following instructions must be carefully observed.

1. **Sidewall Clearances:** Clearances from the side of the fireplace opening to any combustible wall should not be less than 5". (Fig. 3a)
 2. **Ceiling Clearances:** The ceiling height should not be less than 42" from the top of the fireplace opening.
 3. **Mantel Clearances:**
 - a. If the fireplace has no mantelpiece, then the heat resistant material must extend upwards a distance of at least 9½" from the fireplace opening. A mantel projection must be a minimum of 24" above the top fireplace opening if a canopy is not installed. (Fig. 3b)
 - b. Noncombustible materials used in this installation such as slate, marble, tile, etc. must be at least 1/2" thick. Do not install a combustible material behind sheet metal. Failure to use noncombustible materials above the opening as specified in these instructions may cause damage to the materials used and create a fire hazard.
 - c. A heat reducing canopy is shipped with the fireplace. Use of this canopy is optional in order to reduce mantel heights as shown in Figure 3d. If the canopy is installed, a combustible mantel piece may project 2" from the wall at 6½" above the fireplace opening. A 6" mantel projection at 13" above the fireplace opening and a 10" projection at 22" above the opening. (Fig. 3a and 3d)
- To install the optional canopy, remove the four (4) screws supplied with a Phillips screwdriver. Two (2)

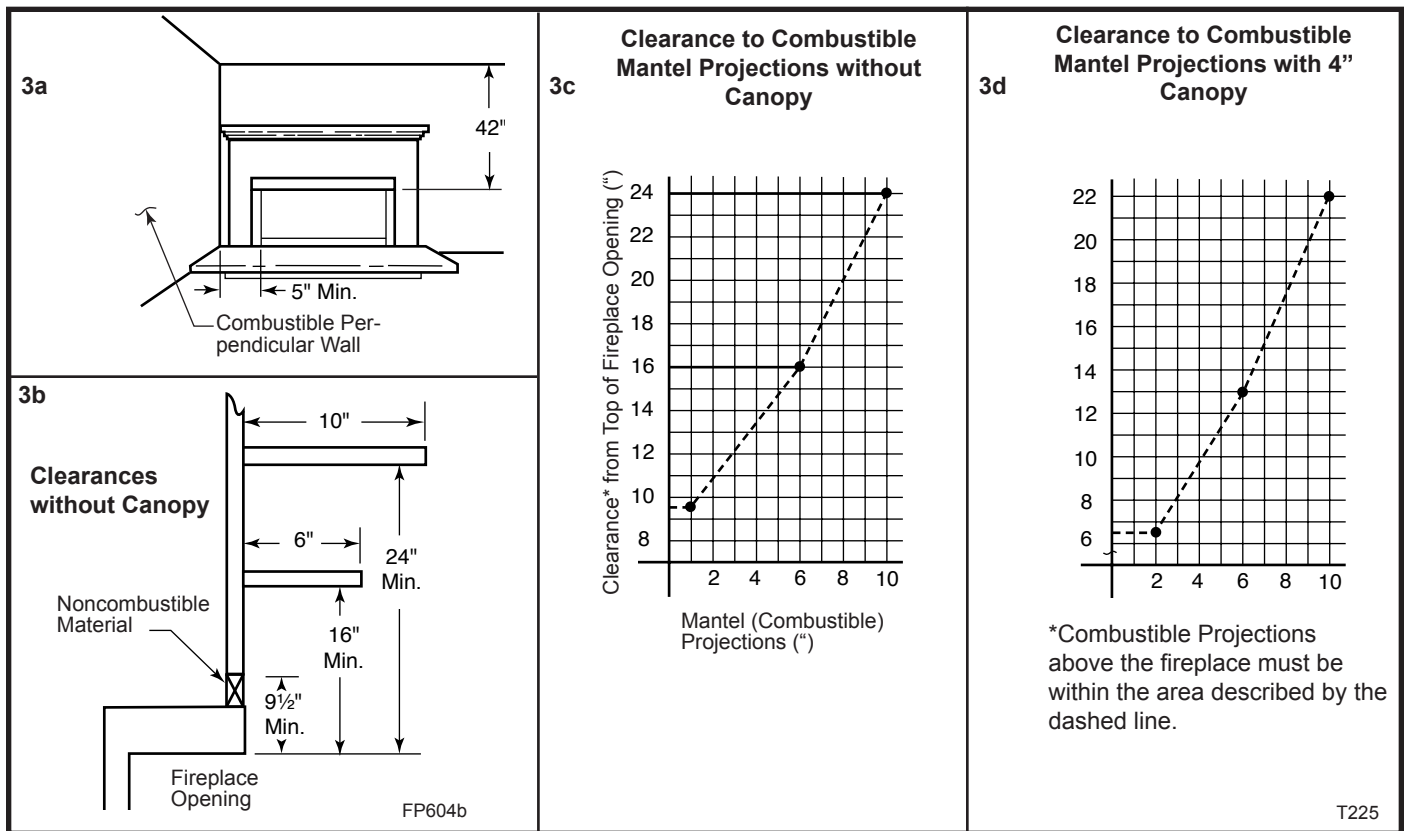


Fig. 3 Clearances to combustibles.

screws are located across the top of the fireplace opening approximately 5" to the right and left from center. Two (2) screws are located 4" down from the top on each side of the fireplace opening. Place the canopy, making sure the 1/4" hex head screws across the top of the opening align with the clearance holes in the canopy. Secure with the four (4) previously removed screws.

WARNING: The firebox canopy must not be modified or replaced with a canopy that may be provided with the unvented decorative room heater.

4. Floor Clearances: No clearance is required if the appliance is installed per these instructions.

Installing the Firebox

This list of specific instructions will help you make certain that every installation operation is done correctly. Complete the installation steps in the sequence shown.

LOCAL BUILDING CODES SHOULD BE CONSULTED IN ALL CASES AS TO THE PARTICULAR REQUIREMENTS CONCERNING THE INSTALLATION OF FACTORY BUILT FIREPLACES.

Select the location for the fireplace by taking into consideration the factors previously outlined in the Locating the Fireplace section of the manual.

Step 1: Framing the Firebox

The width of the framed opening must be 39" for 36" models or 45 1/4" for 42" models. (Fig. 4)

The entire fireplace can be elevated above the floor to achieve a raised hearth effect. This can be done by adding a small platform to achieve the desired height.

NOTE: Refer to Pre-wiring the Junction Box and Electrical Service on Page 7.

Step 2: Install the Firebox

Install the firebox into the framed opening by setting it directly in front of the opening and sliding it into the proper position.

Step 3: Level the Firebox

Check the level of the firebox on the top edge of the fireplace face. Shim if necessary.

Step 4: Secure the Firebox

Four (4) nailing flanges are supplied with the fireplace (found on the fireplace hearth). To level the box and secure it firmly in place, remove the nailing flanges from the hearth and install at the sides of the fireplace as shown in Figure 5.

NOTE: The nailing flanges have two (2) sets of holes to allow for adjustment for 1/2" or 5/8" offset of the face of the unit. When installing the nailing flanges, choose the set of holes on the nailing flange that fit with your application.

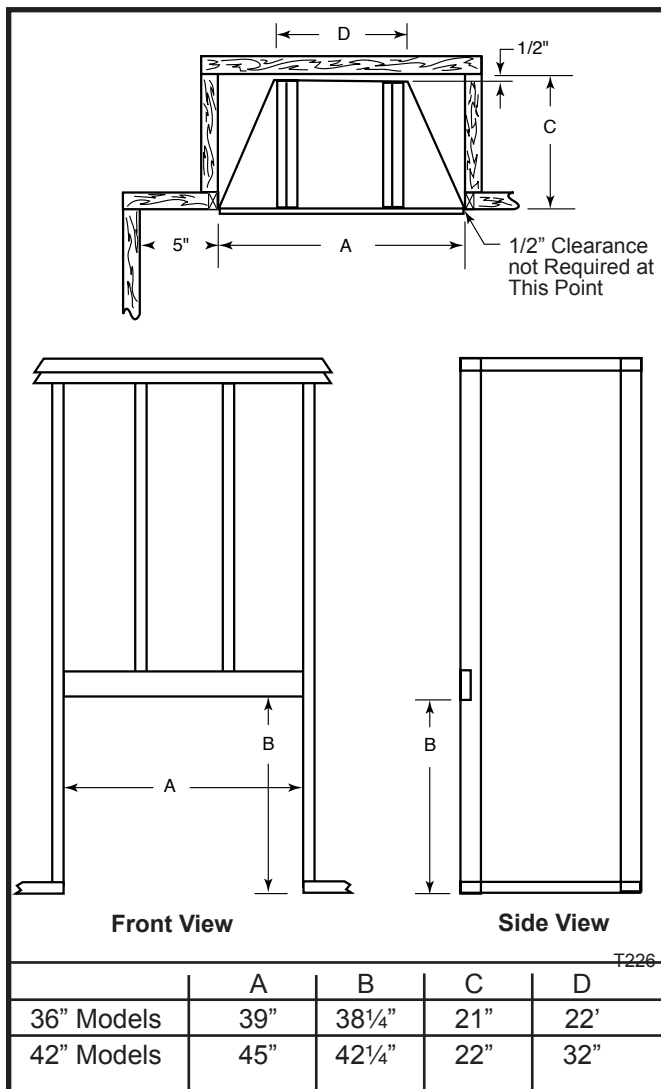


Fig. 4 Framing dimensions.

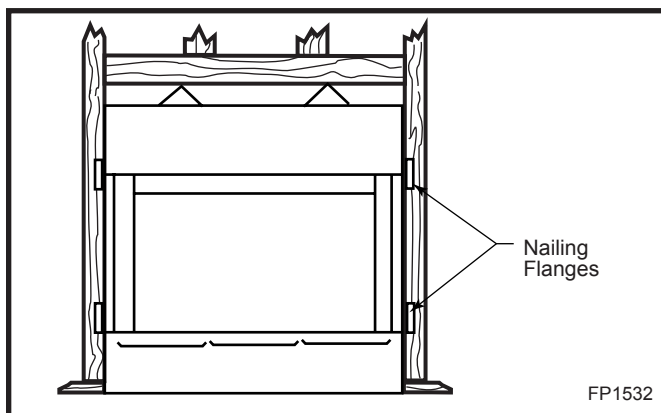


Fig. 5 Secure firebox.

Step 5: Gas Piping and Connection

The gas piping must be installed in accordance with local codes or, in the absence of local codes, in accordance with the National Fuel Gas Code, ANSI Z223.1/ NFPA 54, latest edition.

The normal gas connection is 1/2" NPT, made at the left side facing the unit. If a right side connection is desired, the connecting pipe must be led at the rear of the fireplace to terminate at the left hand side for connection to the fireplace.

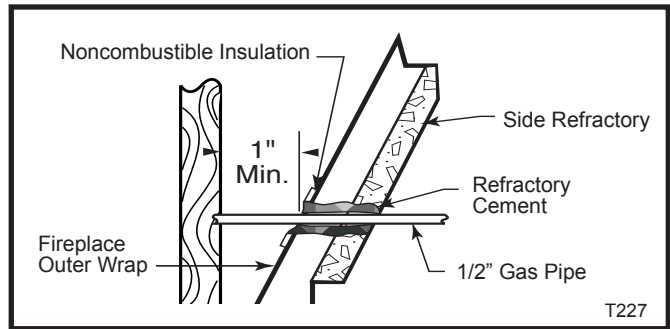


Fig. 6 Gas line installation.

Piping should be tested for leaks prior to final wall installation. Test for leaks using soap and water solution after completing the connection. **DO NOT USE OPEN FLAME.**

Step 6: Optional Procedure For Cold Climate Installations

The insulation and sealing of the enclosure around the fireplace is very important in cold climates. If the enclosure is insulated and sealed properly, you can avoid future cold air problems. The time taken to install the firebox correctly is well worthwhile. The following steps are to stop potential cold air problems.

Insulation of the Fireplace Enclosure

When in a chase or an outside wall, the fireplace enclosure should be insulated like any other wall of your home. Insulation should be installed on the outside wall(s) and the wall above the fireplace.

Insulate to Seal Under the Fireplace

Insulating under the fireplace is beneficial for installations on a concrete slab. The fireplace should be placed on insulating board. It is important that a hard, rigid surface be maintained, so do not use fiberglass insulation for this purpose.

CAUTION: WHEN INSTALLING A FIREPLACE IN AN INSULATED ENCLOSURE, BE SURE TO MAINTAIN ALL MARKED AIR SPACES.

Seal Seams

Seal the seams of the fireplace where the outer wall meets the bottom pan and the front face. Also seal between the fireplace and finishing materials. Use high temperature caulk. Refer to Figure 7 for details of sealing spaces between the fireplace and finishing materials. Note the small amount of insulation installed across the top of the fireplace and down the sides as a backing for the caulk.

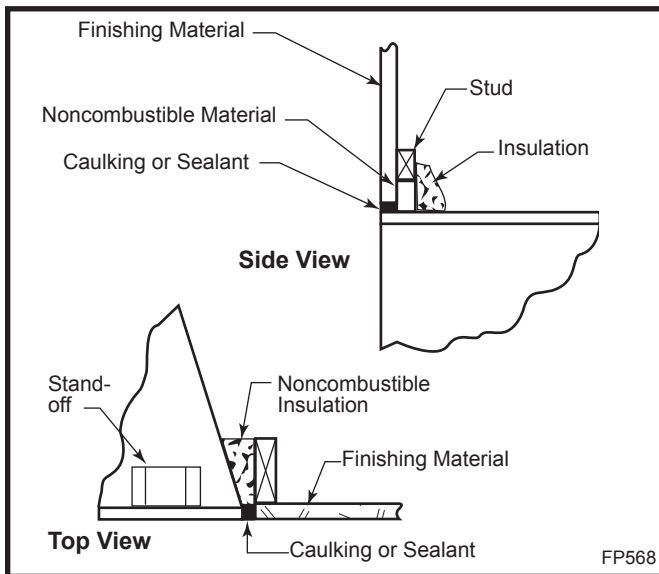


Fig. 7 Sealing spaces between fireplace and finishing materials.

Finishing the Fireplace

There are a wide variety of finishing materials available for your fireplace from formal wall treatments with marble and mantels to rustic wood paneling, stone or brick.

IT IS IMPORTANT THAT THE BLACK FACE OF THE FIREPLACE NOT BE COVERED WITH ANY TYPE OF COMBUSTIBLE MATERIAL.

Noncombustible facing materials such as marble, brick or ceramic tile may overlap the black face of the fireplace up to the opening on either side of the fireplace. Seal all joints between the black fireplace face and the wall covering with a heat-resistant material such as rock wool insulation or mortar. Be sure to use high temperature adhesive or mortar when anchoring brick, stone or tile to the face of the fireplace. Check to see whether man-made brick and stone are made of noncombustible materials before using them on the face of the fireplace. Some of these products contain combustible materials. Combustible wall coverings such as paneling or wall-board may not overlap the black face of the fireplace. The space between the wall covering and the fireplace should be sealed with a heat-resistant material such as rock wool insulation or mortar.

NOTE: An "L" shaped steel lintel must be installed across the top of the firebox opening where facing materials such as brick or stone are used on the face of the firebox. It acts as a support/firestop. It should be attached to the face of the fireplace with screws and sealed to the fireplace with a heat-resistant sealer.

WARNING: The firebox screens must be in place before operating the fireplace.

WARNING: These vent free fireplaces are not to be used with glass doors.

20007469

Hearth Extension

A hearth extension may be used but is not required for these fireboxes.

A raised hearth extension may be used as shown in Figure 8.

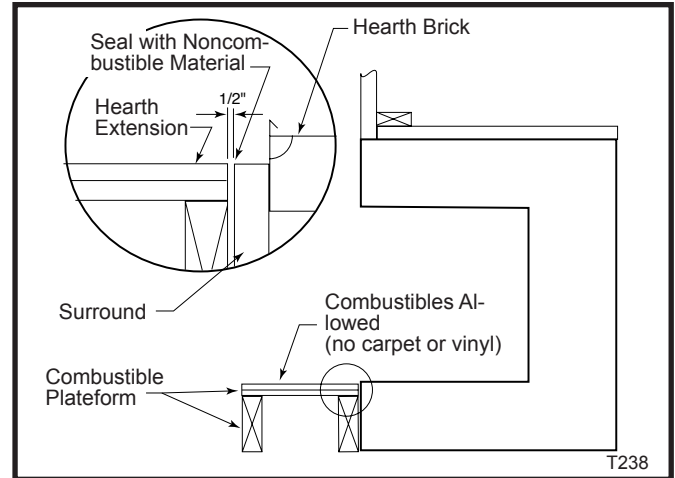


Fig. 8 A raised hearth extension.

Pre-Wiring of Junction Box

Wiring should be connected at the junction box located on the right side of the firebox prior to the installation of the blower kit. A standard wall box should be used to contain the SCVS - Variable Speed Control Kit.

Electrical Services

If an electrical supply of 120V is being roughed in to the fireplace junction box to provide for future installation of optional blower kit, the wiring should be connected to the junction box located on the right side of the firebox.

NOTE: All electric connections are to be made in accordance with CSA Standard C22.1-Canadian Electrical Code part 1 or with the National Electrical Code, ANSI/NFPA 70 (latest edition) and/or in accordance with local codes.

CAUTION: Should this blower require servicing, the power supply must be disconnected.

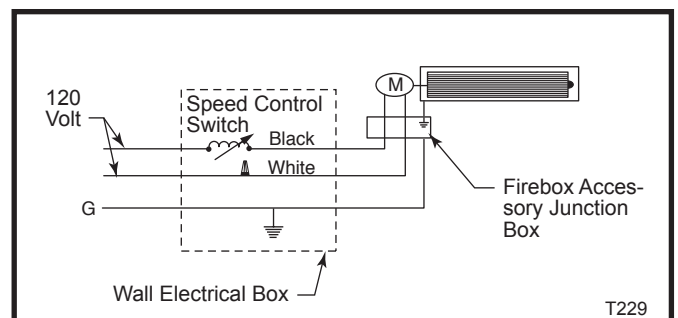


Fig. 9 Blower wiring diagram.

Blower Installation

BEFORE YOU BEGIN...A FEW BASIC RULES

1. Check to ensure that electrical service has been provided to the junction box located in the bottom chamber of the firebox.
2. Check local building codes before installation of the firebox and the blower kit.
3. All wiring must be installed and/or inspected as necessary to comply with the local authority having jurisdiction.
4. The circuit breaker controlling the power supply to the pre-wired junction box in the appliance must be in the "OFF" position before beginning installation of the blower.
5. The appliance, when installed, must be electrically grounded in accordance with local codes or - in the absence of local codes - with the National Electrical Code, ANSI/NFPA 70 or the Canadian Electrical Code, CSA C22.1.

Read all the installation instructions for the applicable appliance before beginning the installation of the blower.

UVDR36C Blower Installation

Step 1: Carefully unpack the blower assembly and familiarize yourself with the parts. Care should be taken not to damage the fan blades or housing.

Step 2: The SCVS - Variable Speed Control Kit (or standard wall switch) should be installed before the blower assembly installation. Please refer to instructions found in the SCVS Kit.

Step 3: Remove the bottom brick from the fireplace and carefully place it to the side to prevent damage. Use a flat blade screwdriver to gently lift up the front edge of the brick, then pull forward to remove.

Step 4: Locate the blower access cutout found at the rear of the hearth pan. Next, remove tape backing from tape on blower housing. Center the blower assembly in the access cutout area with the blower outlet duct pointing upward, then press firmly to attach foam tape to the back and bottom of the fireplace. (Fig. 10)

Step 5: Locate the junction box cutout found on the right side of the hearth pan. Route the powercord under the hearth pan and plug it into the receptacle outlet found in the junction box. (Fig. 11)

Step 6: Turn power back on and test blower operation.

Step 7: Replace the bottom brick in the fireplace.

UVDR42C Blower Installation

Step 1: Carefully unpack the blower assembly and familiarize yourself with the parts. Care should be taken not to damage the fan blades or housing.

Step 2: The SCVS - Variable Speed Control Kit (or standard wall switch) should be installed before the blower assembly installation. Please refer to instructions found in the SCVS Kit.

Step 3: Remove the metal hearth cover and the bottom two right brick panels from the fireplace and carefully place them to the side to prevent damage.

Step 4: Locate the blower access cutout found at the rear of the hearth pan. Next, remove tape backing from tape on blower housing. Center the blower assembly in the access cutout area with the blower outlet duct pointing upward, then press firmly to attach foam tape to the back and bottom of the fireplace. (Fig. 10)

Step 5: Locate the junction box cutout found on the right side of the hearth pan. Route the powercord under the hearth pan and plug it into the receptacle outlet found in the junction box. (Fig. 11)

Step 6: Turn power back on and test blower operation.

Step 7: Replace the metal hearth cover and the bottom two center panels in the fireplace.

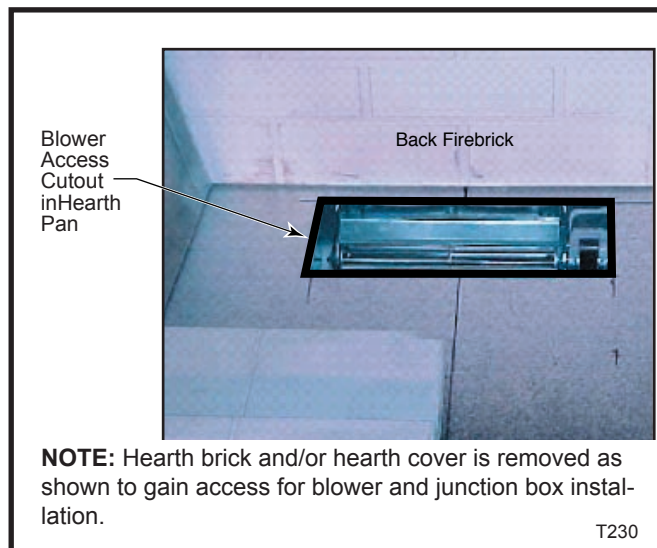


Fig. 10 Blower access.

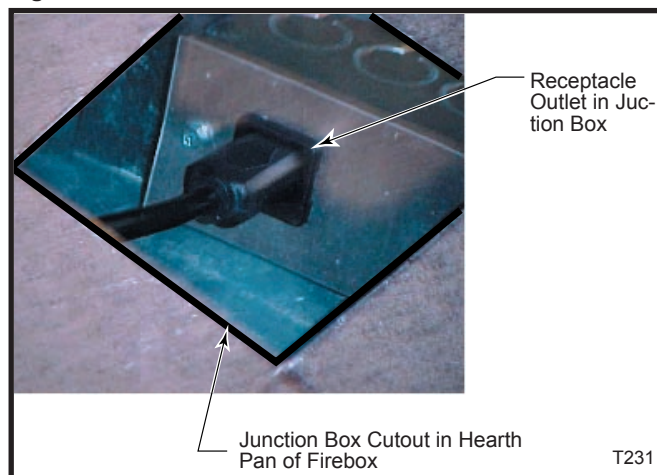


Fig. 11 Route powercord under the hearth pan and plug into the receptacle outlet.

Install Optional Outside Air Kit

The AKU3 Outside Air Kit can be installed to bring combustion air to the heated room air. The air that is drawn into the heated room air from outside the home or unheated area helps relieve the pressure in the home. The duct termination should be located so it is exposed to an out-of-doors opening at least 100 square inches. If the duct termination must be located in a crawl space or basement, be sure the termination area has 100 square inches of ventilation opening to outside air.

The duct termination must be located so it does not compete for air flow with exhaust fans, gas vent hoods or other air consuming devices or appliances. It must not be obstructed by rafters, insulation materials or other obstructions. The less restrictive the air supply, the better the outside air kits will perform.

It is good practice to protect your hands and eyes during installation by wearing work gloves and safety glasses.

CAUTION: Do not install termination into a garage or other area that could contain flammable liquids or fumes, or into an attic space.

Installation Instructions

Determine the location of the fireplace as described in the fireplace installation manual. Then plan location of the duct termination and the route of the duct run between the fireplace and the duct termination.

Duct run must be limited to a maximum distance of 40' (12.2m) from the fireplace pipe collar to duct termination. This will provide the least restriction to air flow. No more than four (4) 90° elbows can be used. Duct run may be horizontal, vertical, inclined or any combination of these. (Fig. 12) You are now ready to install the Outside Air Kit.

1. Remove the screws retaining the outside air cover plate, if provided. (Located on the left side of front open units, on backside of multisided units.) Discard cover plate. (Fig. 13)
2. Secure the inlet collar assembly to the outer casing with four screws (not provided). (Fig. 14)
3. Slide the duct over the collar and attach the duct to the collar using the plastic tie straps or three (3) screws (screws not provided). Continue attaching the ducting together using three (3) screws at each joint until you have installed sufficient duct to arrive at your duct termination locations.
4. At the termination end, install the duct termination. This should be installed from the outside of the home. Cut a hole in the desired location approximately 4½" (114mm) in diameter, caulk around the hole, and slide the termination through the opening from outside the home. The termination/rain cap

should be caulked around its perimeter to assure a tight seal. The rain cap opening should be positioned downward. (Fig. 15)

The Outside Air Kit is now installed and ready for use.

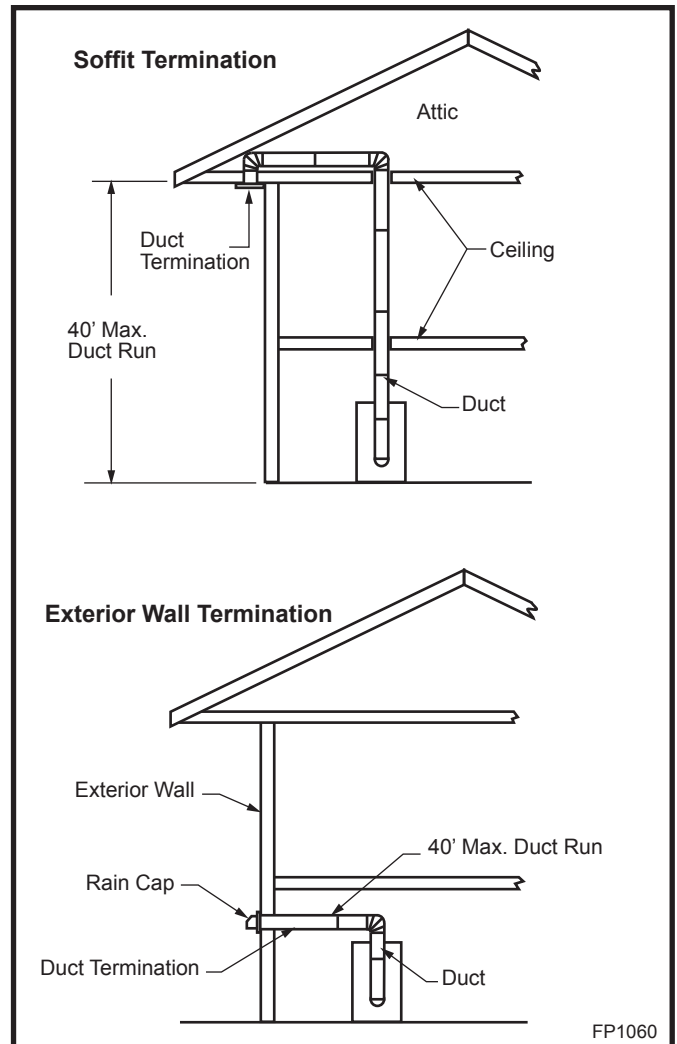


Fig. 12 Typical outside air installations.

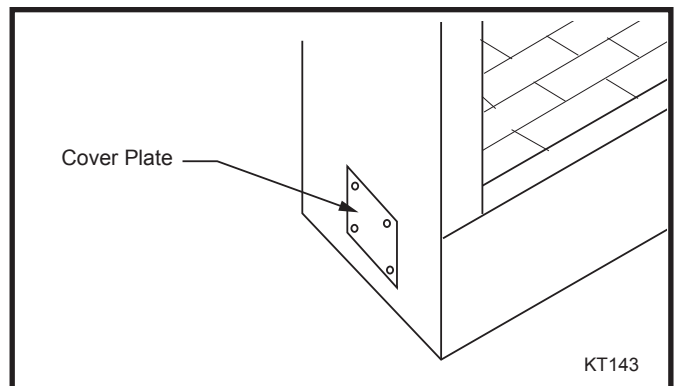


Fig. 13 Remove outside air cover plate and discard, retain screws.

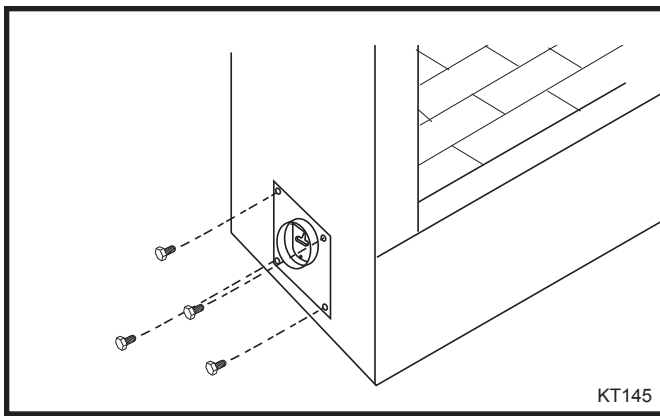


Fig. 14 Secure the inlet collar assembly.

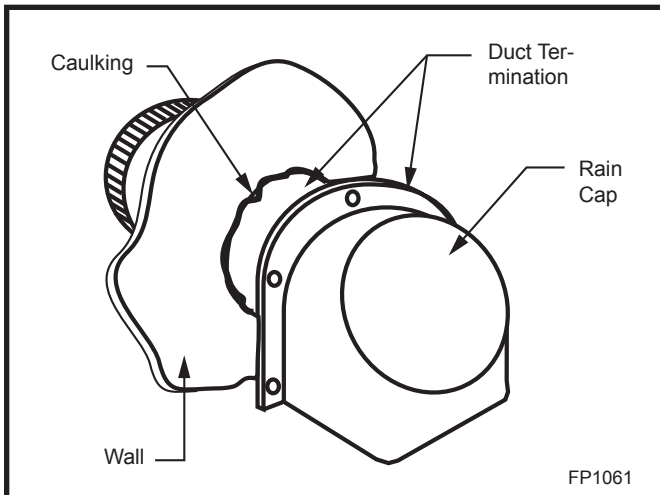
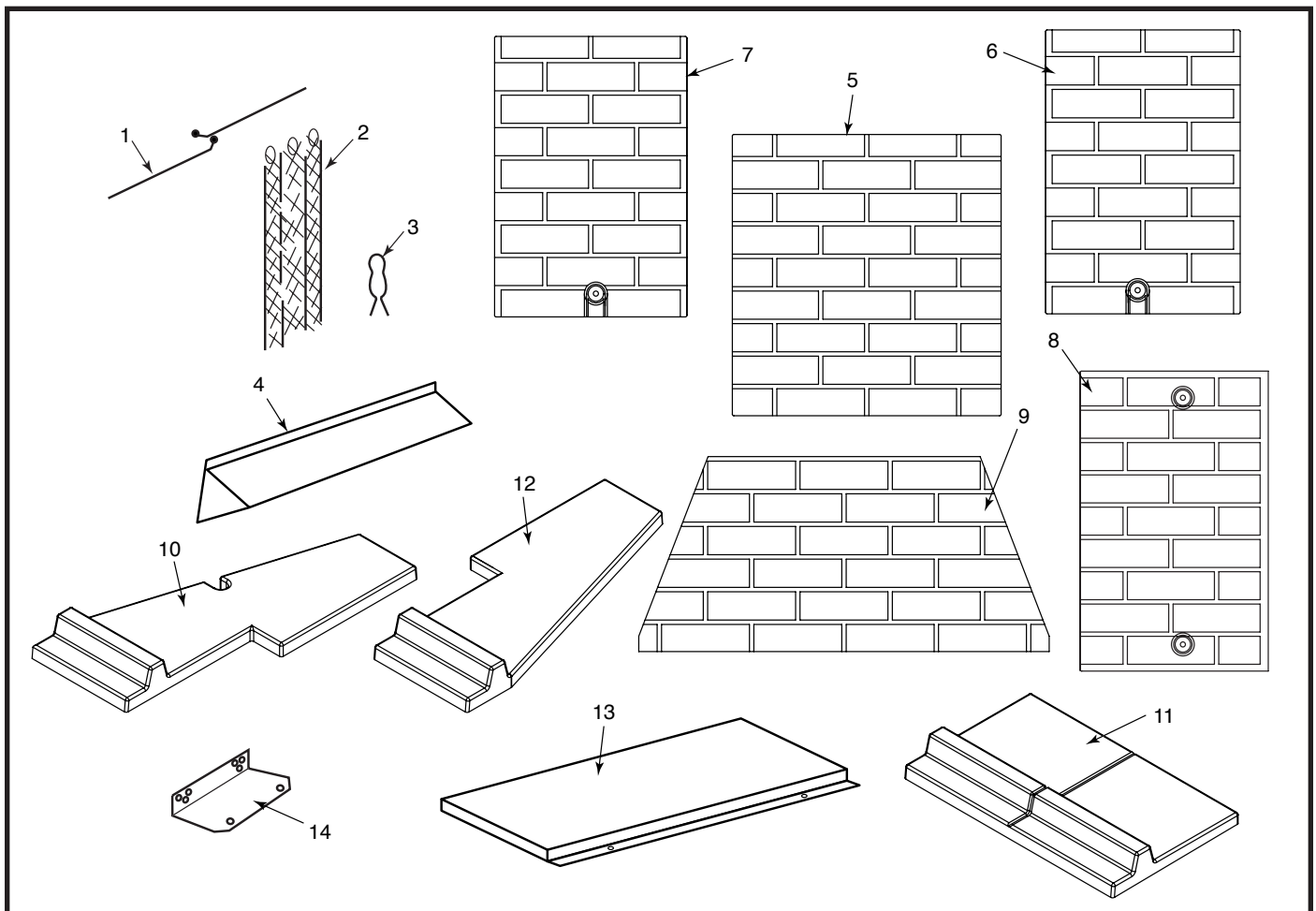


Fig. 15 Caulk and install duct termination/rain cap in place.

Operating Precautions and Instructions

Operation is automatic. A slight negative pressure inside the house will open the barometric flapper valve.

Periodically inspect the duct termination for any blockage. Correct if necessary.



CFM Corporation reserves the right to make changes in design, materials, specifications, prices and discontinue colors and products at any time, without notice.

UVDR36/42C Series Unvented Fireplaces

Description	UVDR36C	UVDR42C
1. Firescreen Rod (2 per fireplace)	68403	65864
2. Firescreen w/Rings (2 per fireplace)	66146	62197
3. Screen Retainer (4 per fireplace)	62222	62222
4. Black Canopy	68779	69554
5. Back Brick	73535	73395
6. Right Side Brick	73498	--
7. Left Side Brick	75752	--
8. Side Brick (2 per fireplace)	--	73394
9. Bottom Brick	73500	--
10. Bottom Left Brick	--	79013
11. Bottom Middle Right/Left Brick	--	79014
12. Bottom Right Brick	--	79015
13. Cover, Hearth	--	78988
14. Nailing Flange - Bag of 4 w/Screws	2253160	2253160

Accessories

Decorative Surrounds	SPB36 SPB42
Blower Kit (Junction box is provided with fireplace)	BL-4 or FK12
Variable Speed Control	SCVS
Heat Reducing Canopy	UC36PB (UVDR36C) Polished Brass UC42PB (UVDR42C) Polished Brass
Brick Canopy	BC36L (UVDR36C) BC42L (UVDR42C)
Outside Air Kit	AKU3

Contact CFM Corporation for questions concerning prices and policies covering replacement parts. Parts may be ordered through your Majestic Fireplaces distributor or dealer.

You will need the correct name, part number and model number of the appliance when ordering replacement parts.

Should you need additional information beyond what your dealer can furnish, contact:

CFM Corporation
410 Admiral Blvd.
Mississauga, Ontario
Canada L5T 2N6

Servicing

Repair and replacement work should only be done by a qualified service person.

Always shut off the gas supply and make sure the appliance is cool before beginning any service operation.

Always check for gas leaks after servicing.

LIMITED LIFETIME WARRANTY

PRODUCT COVERED BY THIS WARRANTY

All Vermont Castings gas stoves, gas inserts, and gas fireplaces, and all Majestic or Northern Flame brand gas fireplaces equipped with an Insta-Flame Ceramic Burner, or standard steel tube burner.

BASIC WARRANTY

CFM Corporation (hereinafter referred to collectively as the Company) warrants that your new Vermont Castings or Majestic Gas Fireplace/Stove is free from manufacturing and material defects for a period of one year from the date of purchase, subject to the following conditions and limitations.

EXTENDED LIFETIME WARRANTY

The heat exchanger, where applicable, and combustion chamber of every Vermont Castings or Majestic gas product is warranted for life against through wall perforation. All appliances equipped with an Insta-Flame Ceramic Burner have limited lifetime coverage on the ceramic burner plaque. Warrantees are made to the original owner subject to proof of purchase and the conditions and limitations listed on this Warranty Document

COMPONENT WARRANTY

CAST IRON: All external and internal cast iron parts are warranted for a period of three years.

Note: On porcelain enamel finished external parts and accessories The Company offers no Warranty on chipping of enamel surfaces. Inspect all product prior to accepting it for any damage to the enamel.

The salt air environment of coastal areas or a high humidity environment can be corrosive to the porcelain enamel finish. These conditions can cause rusting of the cast iron beneath the porcelain enamel finish, which will cause the finish to flake off.

Dye lot variations with replacement parts and/or accessories can occur and are not covered by warranty.

GLASS DOORS: Glass doors are covered for a period of one year. Glass doors are not warranted for breakage due to misuse or accident. Glass doors are not covered for discoloration or burned in stains due to environmental issues, or improper cleaning and maintenance.

BRASS PLATED PARTS AND ACCESSORIES: Brass parts should be cleaned with Lemon oil only. Brass cleaners cannot be used. Mortar mix and masonry cleaners may corrode the brass finish. The Company will not be responsible for, nor will it warrant any brass parts which are damaged by external chemicals or down draft conditions.

GAS VALVES: Gas valves are covered for a period of one year

ELECTRONIC AND MECHANICAL COMPONENTS: Electronic and mechanical components of the burner assembly are covered for one year. All steel tube burners are warranted for one year.

ACCESSORIES: Unless otherwise noted all components and CFM Corporation company supplied accessories are covered for a period of one year.

CONDITIONS AND LIMITATIONS

- This new Vermont Castings or Majestic product must be installed by a competent, authorized, service contractor. A licensed technician, as prescribed by the local jurisdiction must perform any installation/service work. It must be installed and operated at all times in accordance with the Installation and Operating instructions furnished with the product. Any alteration, willful abuse, accident, or misuse of the product shall nullify this warranty.
- This warranty is non-transferable, and is made to the original owner, provided that the purchase was made through an authorized supplier of the Company.
- The customer must pay for any Authorized Dealer in-home travel fees or service charges for in-home repair work. It is the dealers option whether the repair work will be done in the customer's home or in the dealer's shop.
- If upon inspection, the damage is found to be the fault of the manufacturer, repairs will be authorized at no charge to the customer parts and/or labor.

- Any part and/or component replaced under the provisions of this warranty is covered for six months or the remainder of the original warranty, whichever is longest.
- This warranty is limited to the repair of or replacement of part(s) found to be defective in material or workmanship, provided that such part(s) have been subjected to normal conditions of use and service, after said defect is confirmed by the Company's inspection.
- The company may, at its discretion, fully discharge all obligations with respect to this warranty by refunding the wholesale price of the defective part(s)
- Any installation, labor, construction, transportation, or other related costs/expenses arising from defective part(s), repair, replacement, or otherwise of same, will not be covered by this warranty, nor shall the Company assume responsibility for same. Further, the Company will not be responsible for any incidental, indirect, or consequential damages except as provided by law.
- SOME STATES DO NOT ALLOW FOR THE EXCLUSION OR LIMITATIONS OF INCIDENTAL AND CONSEQUENTIAL DAMAGES OR LIMITATIONS ON HOW LONG AN IMPLIED WARRANTY LASTS, SO THE ABOVE LIMITATIONS MAY NOT APPLY TO YOUR CIRCUMSTANCES. THIS WARRANTY GIVES YOU SPECIFIC RIGHTS AND YOU MAY HAVE OTHER RIGHTS WHICH VARY FROM STATE TO STATE.
- All other warranties-expressed or implied- with respect to the product, its components and accessories, or any obligations/liabilities on the part of the Company are hereby expressly excluded.
- The Company neither assumes, nor authorizes any third party to assume on its behalf, any other liabilities with respect to the sale of this Vermont Castings or Majestic product
- The warranties as outlined within this document do not apply to chimney components or other non CFM Corporation accessories used in conjunction with the installation of this product..
- Damage to the unit while in transit is not covered by this warranty but is subject to claim against the common carrier. Contact the dealer from whom you purchased your fireplace/stove (do not operate the appliance as this might negate the ability to process the claim with the carrier).
- The Company will not be responsible for:
 - a) Down drafts or spillage caused by environmental conditions such as near-by trees, buildings, roof tops, hills, or mountains.
 - b) Inadequate ventilation or negative air pressure caused by mechanical systems such as furnaces, fans, clothes dryers, etc.
- This warranty is void if:
 - a) The fireplace has been operated in atmospheres contaminated by chlorine, fluorine, or other damaging chemicals.
 - b) The fireplace has been subjected to prolonged periods of dampness or condensation
 - c) Any damages to the fireplace, combustion chamber, heat exchanger or other components due to water, or weather damage, which is the result of but not limited to, improper chimney/venting installation.
 - d) Any alteration, willful abuse, accident, or misuse of the product has occurred.

IF WARRANTY SERVICE IS NEEDED...

- 1) Contact your supplier. Make sure you have your warranty, your sales receipt, and the model/serial number of your CFM Corporation product.
- 2) DO NOT ATTEMPT TO DO ANY SERVICE WORK YOURSELF.

NATIONAL
FIREPLACE
INSTITUTE



CERTIFIED
www.nficertified.org

We recommend that our gas hearth products be installed and serviced by professionals who are certified in the U.S. by the National Fireplace Institute® (NFI) as NFI Gas Specialists.

CFM Corporation

410 Admiral Blvd. • Mississauga, Ontario, Canada L5T 2N6
800-668-5323 • www.cfmcorp.com

Free Manuals Download Website

<http://myh66.com>

<http://usermanuals.us>

<http://www.somanuals.com>

<http://www.4manuals.cc>

<http://www.manual-lib.com>

<http://www.404manual.com>

<http://www.luxmanual.com>

<http://aubethermostatmanual.com>

Golf course search by state

<http://golfingnear.com>

Email search by domain

<http://emailbydomain.com>

Auto manuals search

<http://auto.somanuals.com>

TV manuals search

<http://tv.somanuals.com>