

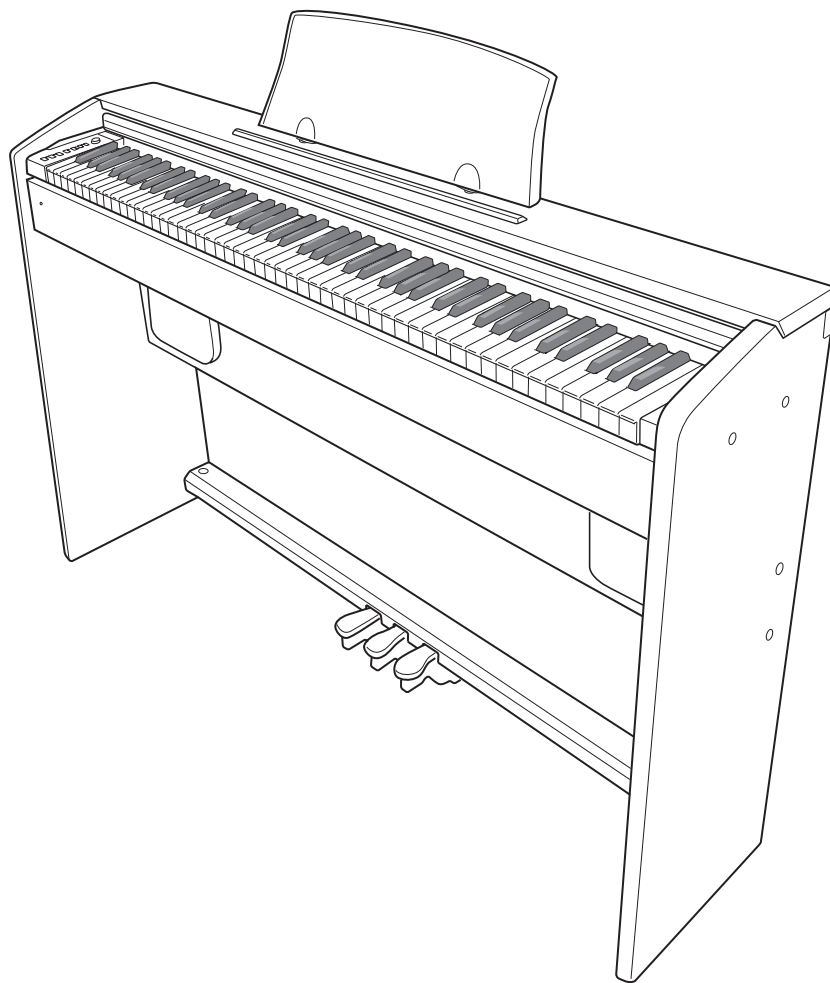
Privia

PX-720 PX-720C

USER'S GUIDE GUÍA DEL USUARIO

Please keep all information for future reference.

Guarde toda información para tener como referencia futura.



Safety Precautions

Before trying to use the piano, be sure to read the separate "Safety Precautions".

Precauciones de seguridad

Antes de intentar usar el piano, asegúrese de leer las "Precauciones de seguridad" separadas.

TO REDUCE THE RISK OF FIRE OR ELECTRIC SHOCK, REFER SERVICING TO QUALIFIED SERVICE PERSONNEL.

IMPORTANT SAFETY INSTRUCTIONS

1. Read these instructions.
2. Keep these instructions.
3. Heed all warnings.
4. Follow all instructions.
5. Do not use this apparatus near water.
6. Clean only with dry cloth.
7. Do not block any ventilation openings. Install in accordance with the manufacturer's instructions.
8. Do not install near any heat sources such as radiators, heat registers, stoves, or other apparatus (including amplifiers) that produce heat.
9. Do not defeat the safety purpose of the polarized or grounding-type plug. A polarized plug has two blades with one wider than the other. A grounding type plug has two blades and a third grounding prong. The wide blade or the third prong are provided for your safety. If the provided plug does not fit into your outlet, consult an electrician for replacement of the obsolete outlet.
10. Protect the power cord from being walked on or pinched particularly at plugs, convenience receptacles, and the point where they exit from the apparatus.
11. Only use attachments/accessories specified by the manufacturer.
12. Use only with the cart, stand, tripod, bracket, or table specified by the manufacturer, or sold with the apparatus. When a cart is used, use caution when moving the cart/apparatus combination to avoid injury from tip-over.



13. Unplug this apparatus during lightning storms or when unused for long periods of time.
14. Refer all servicing to qualified service personnel. Servicing is required when the apparatus has been damaged in any way, such as power-supply cord or plug is damaged, liquid has been spilled or objects have fallen into the apparatus, the apparatus has been exposed to rain or moisture, does not operate normally, or has been dropped.

The apparatus shall not be exposed to dripping or splashing and that no objects filled with liquids, such as vases, shall be placed on the apparatus.

The power indicator being unlit does not mean the apparatus is completely disconnected from the MAINS. When you need to have the apparatus completely disconnected from the MAINS, you must unplug the power cord. For that purpose, locate the apparatus in a way that secures easy access to the power cord.

NOTICE

This equipment has been tested and found to comply with the limits for a Class B digital device, pursuant to Part 15 of the FCC Rules. These limits are designed to provide reasonable protection against harmful interference in a residential installation. This equipment generates, uses and can radiate radio frequency energy and, if not installed and used in accordance with the instructions, may cause harmful interference to radio communications. However, there is no guarantee that interference will not occur in a particular installation. If this equipment does cause harmful interference to radio or television reception, which can be determined by turning the equipment off and on, the user is encouraged to try to correct the interference by one or more of the following measures:

- Reorient or relocate the receiving antenna.
- Increase the separation between the equipment and receiver.
- Connect the equipment into an outlet on a circuit different from that to which the receiver is connected.
- Consult the dealer or an experienced radio/TV technician for help.

FCC WARNING

Changes or modifications not expressly approved by the party responsible for compliance could void the user's authority to operate the equipment.

Important!

Please note the following important information before using this product.

- Before using the AD-12 Adaptor to power the unit, be sure to check the AC Adaptor for any damage first. Carefully check the power cord for breakage, cuts, exposed wire and other serious damage. Never let children use an AC adaptor that is seriously damaged.
- The product is not intended for children under 3 years.
- Use only CASIO AD-12 adaptor.
- The AC adaptor is not a toy.
- Be sure to disconnect the AC adaptor before cleaning the product.



This mark applies in EU countries only.



Manufacturer:
CASIO COMPUTER CO.,LTD.
6-2, Hon-machi 1-chome, Shibuya-ku, Tokyo 151-8543, Japan

Responsible within the European Union:
CASIO EUROPE GmbH
Bornbarch 10, 22848 Norderstedt, Germany

Contents

Assembling the Stand..... E-24

Unpacking.....	E-24	To connect the cables.....	E-29
Assembling the Stand.....	E-24	To install the music stand.....	E-29

General Guide E-2

TONE/SETTING Button.....	E-3
Saving Settings and Using Operation Lock.....	E-3

Power Outlet..... E-4

Using an AC Adaptor.....	E-4
--------------------------	-----

Connections E-5

Connecting Headphones.....	E-5
Connecting Audio Equipment or an Amplifier.....	E-5
Bundled and Optional Accessories.....	E-5

Playing with Different Tones E-6

Selecting and Playing a Tone.....	E-6
To adjust the brilliance of a tone.....	E-8
Layering Two Tones.....	E-8
Using Effects.....	E-9
Using the Digital Piano's Pedals.....	E-9
Using the Metronome.....	E-10
Playing a Piano Duet.....	E-11

Playing Back Built-in Songs E-12

Playing Back All of the Built-in Songs.....	E-12
Playing Back a Specific Music Library Song.....	E-12
Practicing with a Music Library Song.....	E-13

Recording and Play Back..... E-14

Tracks.....	E-14
To record to a specific track of a song.....	E-15
To record to one track of a song while listening to the playback of the other track.....	E-16
Playing Back from Digital Piano Memory.....	E-16
Deleting Recorded Data.....	E-17

Configuring Settings with the Keyboard E-18

To configure settings with the keyboard.....	E-18
Keyboard Keys Used for Configuring Settings.....	E-19
Parameter List.....	E-20
Tone selection.....	E-20
Brilliance (BRILLIANCE).....	E-20
Reverb (REVERB).....	E-20
Chorus.....	E-20
Song Select (SONG SELECT).....	E-20
Tempo (TEMPO).....	E-20
Metronome Beat (METRONOME BEAT).....	E-20
Song volume.....	E-20
Metronome Volume.....	E-20
Touch Response (TOUCH RESPONSE).....	E-21
Keyboard Key (Transpose).....	E-21
Keyboard tuning (Tuning).....	E-21
Send Channel.....	E-22
Local Control.....	E-22
Operation Tone.....	E-22
Back Up.....	E-22
Operation Lock.....	E-22
Connecting to the MIDI Terminal.....	E-23

Reference..... E-30

Troubleshooting.....	E-30
Product Specifications.....	E-31
Operating Precautions.....	E-32

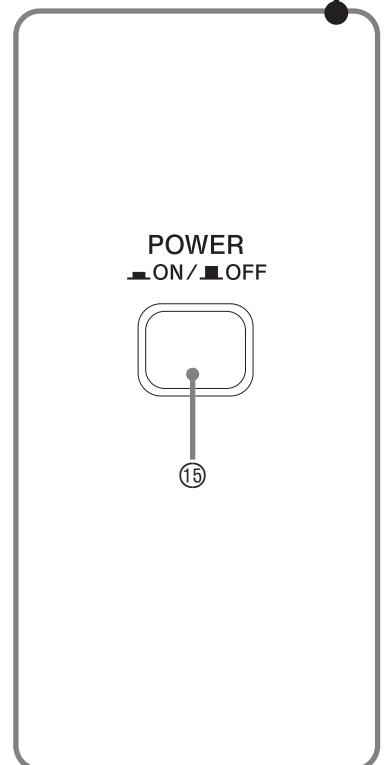
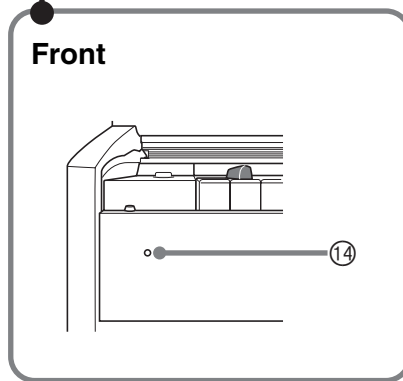
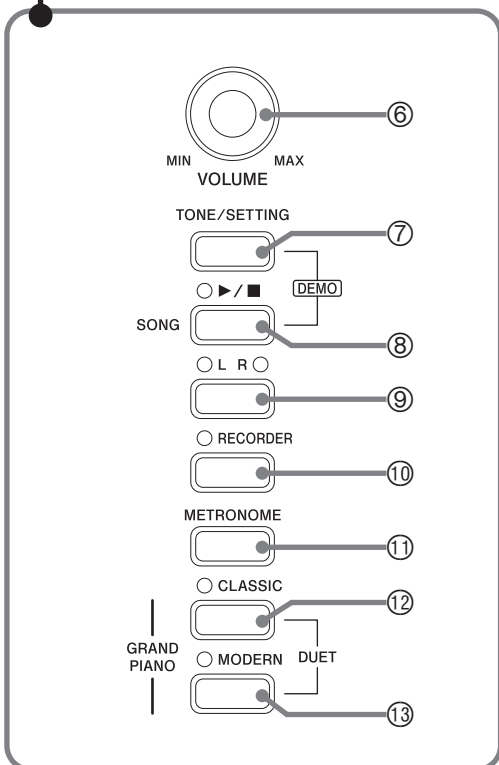
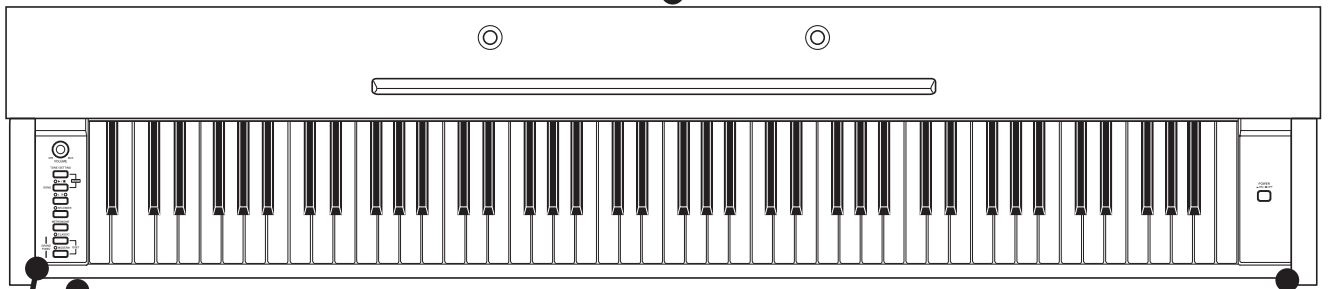
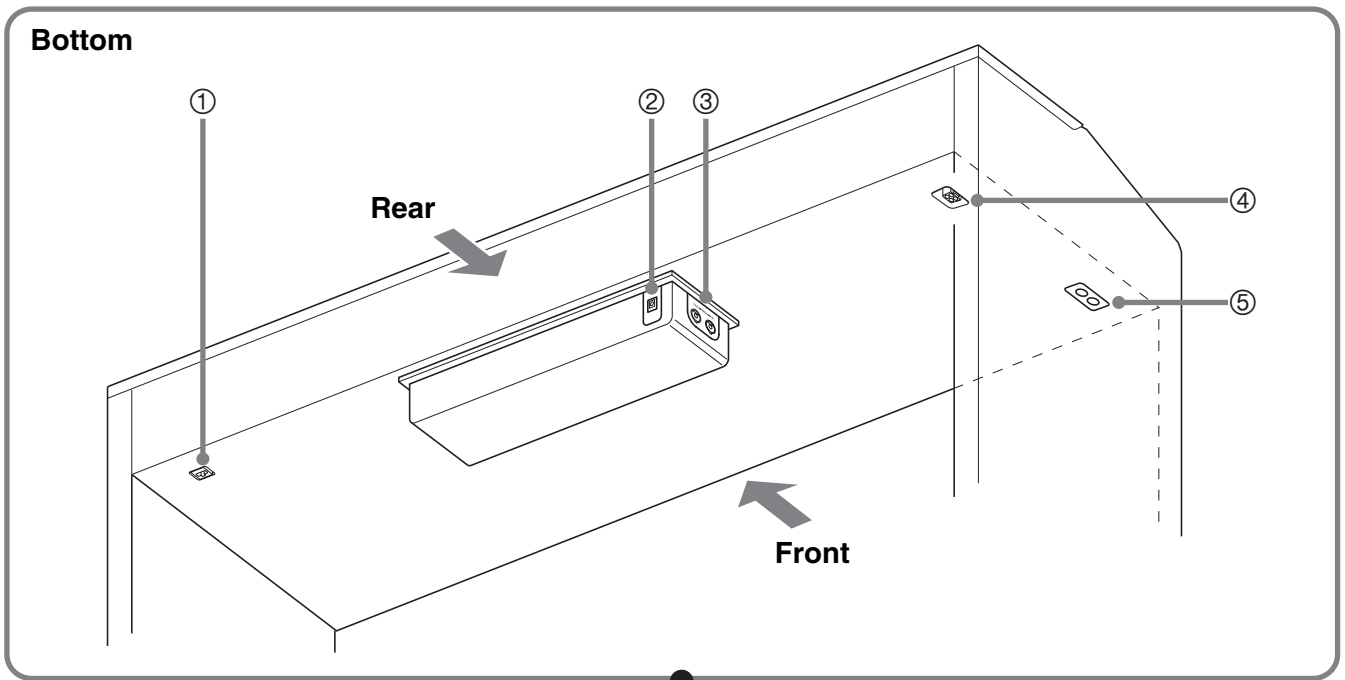
Appendix..... A-1

Tone List.....	A-1
Song List.....	A-1

MIDI Implementation Chart

Company and product names used in this manual may be registered trademarks of others.

General Guide



⚠ CAUTION

- Make sure that the cover is fully open whenever you are playing on the keyboard. A partially open cover can suddenly close unexpectedly and pinch your fingers.

📌 NOTE

- The names shown here are always indicated in bold when they appear within the text of this manual.

- | | |
|--------------------------------|---------------------------------------|
| ① Pedal connector | ⑨ LR button |
| ② DC 12V terminal | ⑩ RECORDER button |
| ③ MIDI OUT/IN terminals | ⑪ METRONOME button |
| ④ Speaker connector | ⑫ GRAND PIANO (CLASSIC) button |
| ⑤ PHONES jack | ⑬ GRAND PIANO (MODERN) button |
| ⑥ VOLUME controller | ⑭ Power lamp |
| ⑦ TONE/SETTING button | ⑮ POWER button |
| ⑧ SONG ▶/■ button | |

TONE/SETTING Button

The **TONE/SETTING** button is used when configuring a variety of different digital piano settings. The following are **TONE/SETTING** button basics.

- To change a setting, hold down the **TONE/SETTING** button as you press the keyboard key that is assigned the setting you want to select. An operation confirmation tone will sound whenever you press a keyboard key to configure a setting.

Example: “Selecting a Tone Using the Keyboard Keys” on page E-7.



- For details about operations and settings, see “Configuring Settings with the Keyboard” on page E-18.

Saving Settings and Using Operation Lock

Your digital piano lets you save its current settings, and lock its buttons to protect against operation errors. For details, see “Parameter List” on page E-20.

Power Outlet

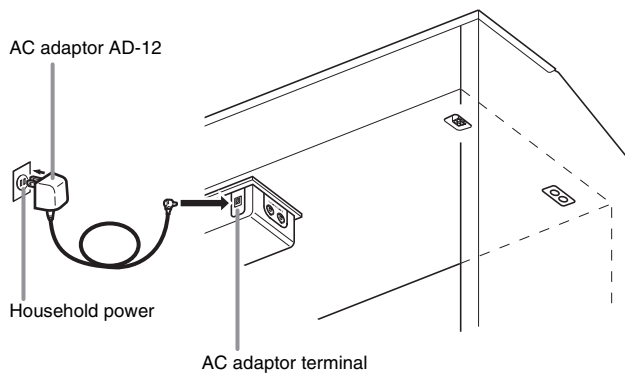
Your digital piano runs on standard household power. Be sure to turn off power whenever you are not using the digital piano.

Using an AC Adaptor

Use only the AC adaptor that is specified for use with this digital piano.

Specified AC Adaptor: AD-12

Bottom



Note the following important precautions to avoid damage to the power cord.

During Use

- Never pull on the cord with excessive force.
- Never repeatedly pull on the cord.
- Never twist the cord at the base of the plug or connector.
- The power cord should not be stretched tight while it is in use.

During Movement

- Before moving the digital piano, be sure to unplug the AC adaptor from the power outlet.

During Storage

- Loop and bundle the power cord, but never wind it around the AC adaptor.

IMPORTANT!

- Make sure the digital piano is turned off before plugging in or unplugging the AC adaptor.
- The AC adaptor will become warm to the touch after very long use. This is normal and does not indicate malfunction.

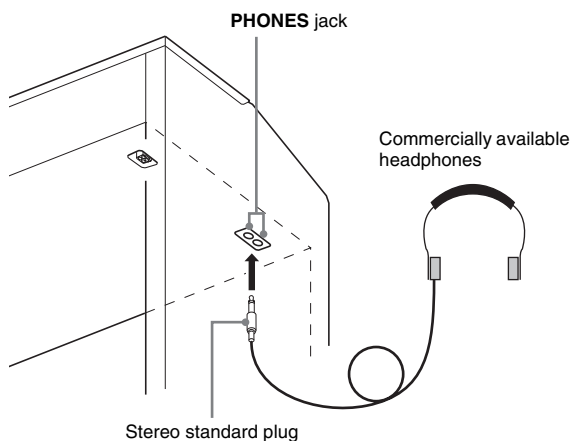
Connections

IMPORTANT!

- Whenever connecting something to the digital piano, first use the **VOLUME** controller to set the volume to a low level. After connecting, you can adjust the volume to the level you want.

Connecting Headphones

Bottom



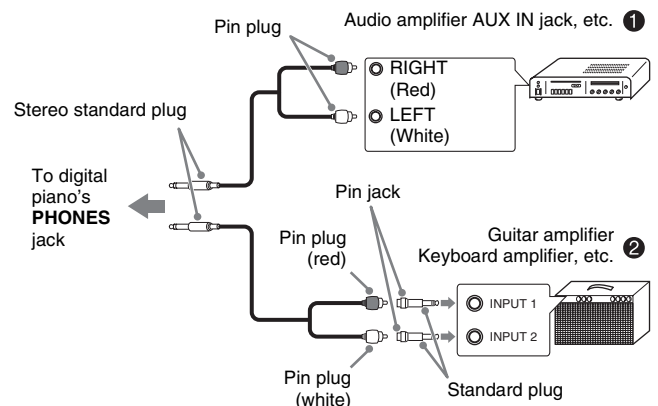
Connect commercially available headphones to the **PHONES** jack. Connecting headphones to the **PHONES** jack cuts off output to the speakers, which means you can practice even late at night without bothering others. To protect your hearing, make sure that you do not set the volume level too high when using headphones.

NOTE

- Be sure to push the headphones plug into the **PHONES** jack as far as it will go. If you don't, you may hear sound from only one side of the headphones.

Connecting Audio Equipment or an Amplifier

You can connect audio equipment or a music amplifier to the digital piano and then play through external speakers for more powerful volume and better sound quality.



Connecting Audio Equipment (Figure 1)

Use commercially available connecting cords (Standard Plug × 1, Pin Plugs × 2) to connect as shown in Figure 1. Make sure that the end of the cord that you connect to the digital piano is a stereo standard plug. A monaural standard plug will result in output of only one of the two stereo channels. Normally, you should set the input selector of the audio equipment to the terminal where the digital piano is connected (AUX IN, etc.) Adjust volume using the digital piano's **VOLUME** controller.

Connecting a Music Amplifier (Figure 2)

Connect the connecting cord* to one of the types of amplifiers shown in Figure 2.

Adjust volume using the digital piano's **VOLUME** controller.

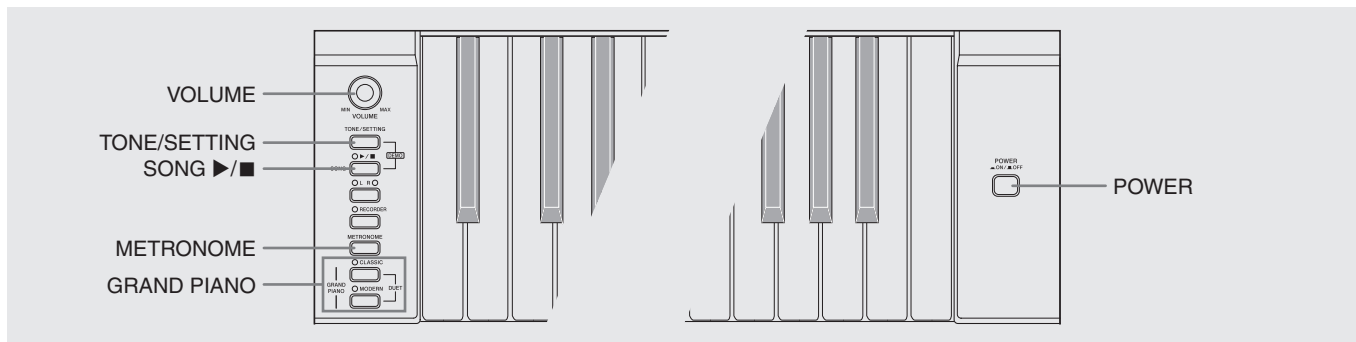
- * Digital Piano: Stereo standard plug
- Amplifier: Inputs signals for the left and right channels. Not connecting either plug will result in output of only one of the two stereo channels.

Bundled and Optional Accessories

Use only accessories that are specified for use with this digital piano.

Use of unauthorized accessories creates the risk of fire, electric shock, and personal injury.

Playing with Different Tones

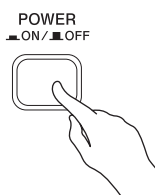


Selecting and Playing a Tone

This digital piano has 11 built-in tones.

* You can select these tones using keyboard keys. The name of the tones assigned to each keyboard key is marked above the keys. For details about selecting these tones, see “Selecting a Tone Using the Keyboard Keys” on page E-7.

1. Press the **POWER** button to turn on the digital piano.



IMPORTANT!

- When you turn on the piano, it performs a power up operation in order to initialize its system. During system initialization, the **LR** button lamps flash for about six seconds to let you know that system initialization is in progress.

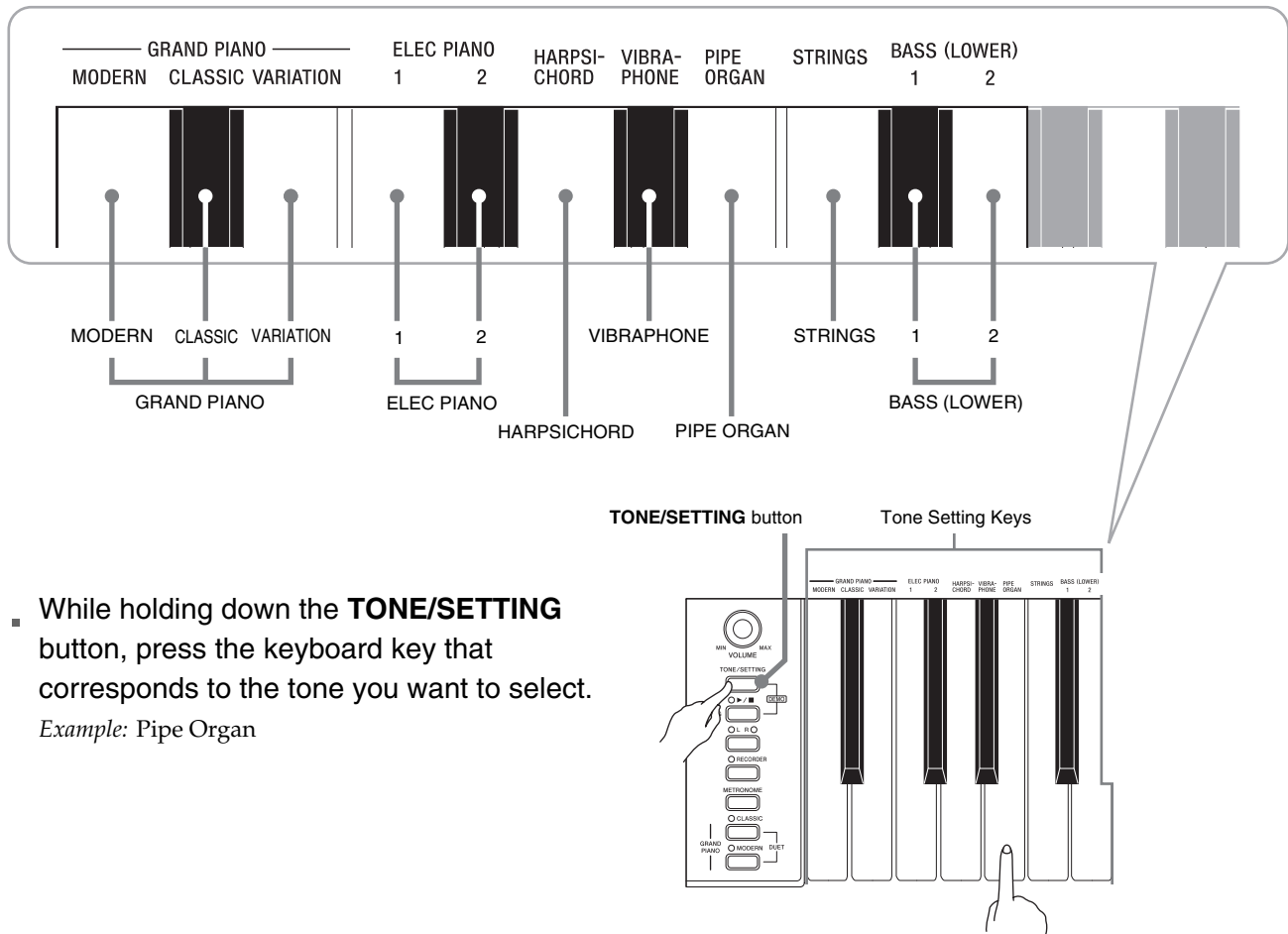
2. Select the tone you want.
 - Press one of the **GRAND PIANO** buttons to select either a modern sound (**MODERN**) or a classic sound (**CLASSIC**).
 - A lamp will light above the currently selected button.
 - See “Selecting a Tone Using the Keyboard Keys” on page E-7 for information about selected other tones.
3. Use the **VOLUME** controller to adjust the volume level.
4. Try playing something on the digital piano.

NOTE

- Grand Piano Tones (**MODERN**, **CLASSIC**)
Your digital piano has a total of 11 built-in tones. The **MODERN** and **CLASSIC** tones are stereo sampled tones that can be selected using the **GRAND PIANO** buttons. Try using the **GRAND PIANO** tones to familiarize yourself with their distinctive sounds and characteristics.

Tone Name	Characteristics
MODERN	This tone provides a bright and hard grand piano sound. The volume and timbre of this tone is quick to respond to different keyboard pressures, and it has relatively strong reverb. This tone is a good choice for dynamic and lively performances.
CLASSIC	This is a natural piano tone that closely resembles the sound of an acoustic grand piano. Though reverb and other effects are kept to a minimum, doing so enhances the impact of operating the piano pedals (acoustic resonance), for musically delicate expressions. This tone is a good choice for lesson and practice sessions.

Selecting a Tone Using the Keyboard Keys

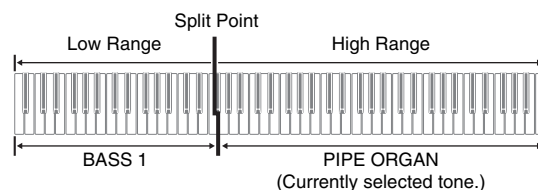


1. While holding down the **TONE/SETTING** button, press the keyboard key that corresponds to the tone you want to select.
Example: Pipe Organ

Bass Tones (BASS 1, BASS 2)

Selecting either of the two bass tones (BASS 1, BASS 2) on the right side of the tone setting keys in step 1 of the above procedure will assign the selected bass tone to the low range (left side) of the keyboard. The high range (right side) will be assigned the tone that was selected when you pressed the BASS 1 or BASS 2 key.

- The BASS 1 and BASS 2 keys let you effectively split the keyboard between two different tones.

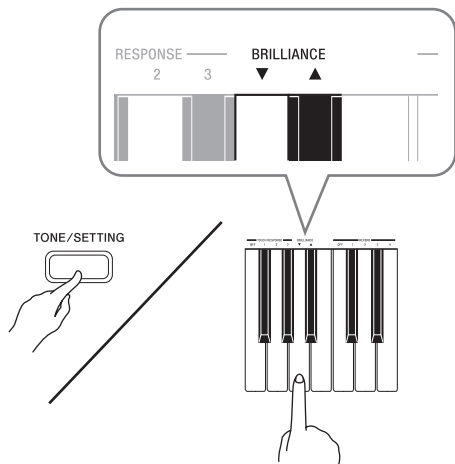


NOTE

- To return the keyboard to a single tone, select any tone other than BASS 1 or BASS 2.
- You cannot select BASS 1 or BASS 2 when recording to Track 2.

To adjust the brilliance of a tone

1. While holding down the **TONE/SETTING** button, use the **BRILLIANCE** keys to specify a brilliance value in the range of -3 to 3.



For this type of sound:	Press this keyboard key:
Mellower and softer	▼
Brighter and harder	▲

NOTE

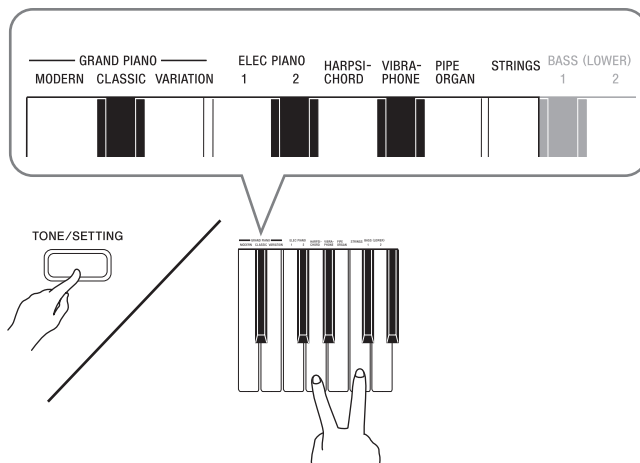
- To return a tone to its initial default setting, press ▼ and ▲ at the same time.

Layering Two Tones

Use the following procedure to layer two tones, so they sound at the same time.

1. While holding down the **TONE/SETTING** button, simultaneously press the keyboard keys that correspond to the two tones that you want to layer.

Example: To layer **HARPSICHORD** and **STRINGS**.



2. To unlayer the keyboard, select another tone by pressing the **GRAND PIANO** button or by using the procedure under “Selecting a Tone Using the Keyboard Keys” (page E-7).

NOTE

- You cannot use the **GRAND PIANO** buttons (**MODERN**, **CLASSIC**) when layering two tones.
- You cannot layer the **BASS 1** or **BASS 2** tone with another tone.
- You cannot perform the layer operation when recording to Track 2.

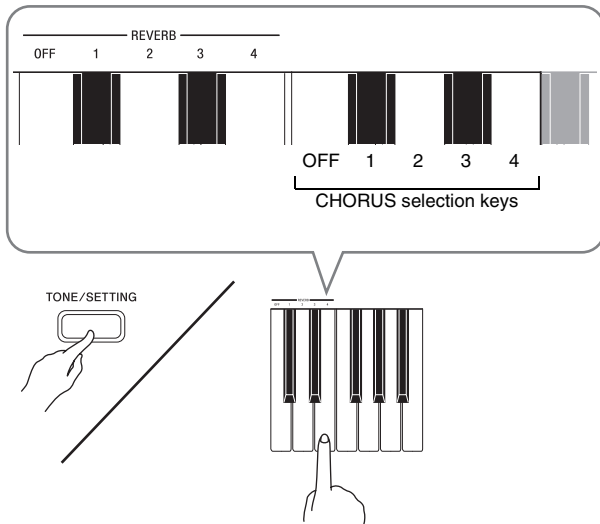
Using Effects

Reverb . . . Makes your notes resonate.

Chorus . . . Adds more breadth to your notes.

To configure reverb and chorus effect settings

1. While holding down the **TONE/SETTING** button, press the REVERB or CHORUS keyboard key.



Example: Selecting Reverb 4

- Reverb Value

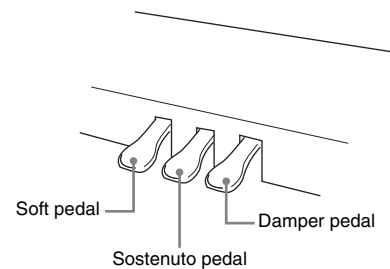
To do this:	Select this setting:
Turn off reverb	OFF
Turn on reverb	1: Room 2: Small Hall 3: Large Hall 4: Stadium

- Chorus Value

To do this:	Select this setting:
Turn off chorus	OFF
Turn on chorus	1: Light Chorus 2: Medium Chorus 3: Deep Chorus 4: Flanger (Whooshing effect)

Using the Digital Piano's Pedals

Your digital piano comes equipped with three pedals: damper, soft, and sostenuto



Pedal Functions

- **Damper Pedal**

Pressing the damper pedal while playing will cause the notes you play to reverberate for a very long time.

- When a GRAND PIANO tone (MODERN, CLASSIC, VARIATION) is selected as the tone, pressing this pedal will cause notes to reverberate (acoustic resonance) just like the damper pedal on an acoustic grand piano. Half-pedal operation (pressing the pedal part way) is also supported.

- **Soft Pedal**

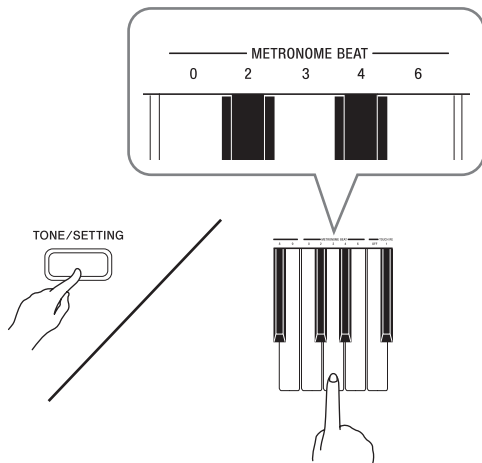
Pressing this pedal while playing suppresses notes played on the keyboard after the pedal was pressed, and makes them sound softer.

- **Sostenuto Pedal**

Only the notes of the keys that are depressed when this pedal is pressed are sustained until the pedal is released.

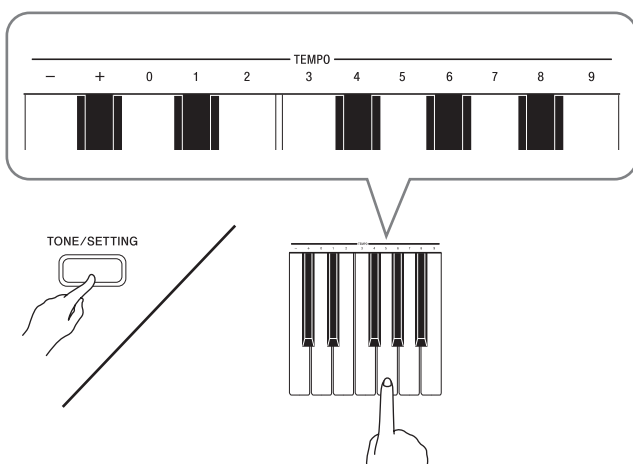
Using the Metronome

1. Press the **METRONOME** button.
 - This starts the metronome.
 - The lamp above the **SONG** ►/■ button flash in time with the metronome beat.
2. To change the beat, hold down the **TONE/SETTING** button as you press one of the **METRONOME BEAT** keys to select a beat setting.



- You can specify a beat value of 0, 2, 3, 4, or 6 as the beat. Specifying 0 as the setting plays a straight click, without any chime. This setting lets you practice with a steady beat.

3. While holding down the **TONE/SETTING** button, use the **TEMPO** keys to specify a tempo value in the range of 20 to 255 beats per minute.



- Each press of the + or – key raises or lowers the tempo value by 1.
- You can use the value input keys (0 to 9) to enter a specific value. Be sure to input all three digits.
Example: To enter “96”, press keys 0, 9, 6.

4. Press the **METRONOME** button or **SONG** ►/■ button to turn off the metronome.

NOTE

- To return the tempo setting to the default tempo of the currently selected Music Library tune, press the + and – keys at the same time in step 3. Pressing + and – while recording will return the tempo value to 120.

To adjust the metronome volume

NOTE

- You can perform the following procedure at any time, regardless of whether or not the metronome is sounding.

1. While holding down the **TONE/SETTING** button, use the **METRONOME VOLUME** keys to specify a volume value in the range of 0 to 42.
 - For details about using the keyboard keys for settings, see “Keyboard Keys Used for Configuring Settings” on page E-19.
 - Each press of the ▼ or ▲ key raises or lowers the metronome volume value by 1.

NOTE

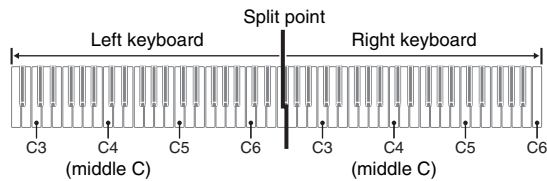
- To return to the initial default setting, press ▼ and ▲ at the same time.

Playing a Piano Duet

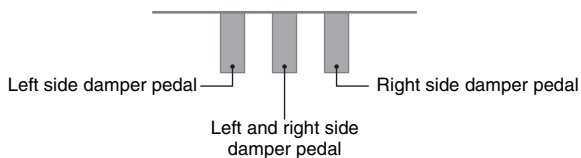
You can use the Duet Mode to split the piano's keyboard in the center so two people can play a duet. The left and right side keyboards have virtually the same range. The left pedal operates as the left side damper pedal, while the right pedal is the right side damper pedal.

The Duet Mode is the perfect way to conduct lessons, with the teacher playing on the left side as the student playing the same song on the right side.

Keyboard



Pedals



NOTE

- Only the damper pedal for the right side keyboard supports half-pedal operations.

1. Press one of the **GRAND PIANO** buttons (**MODERN** or **CLASSIC**) to select the piano tone you want to use for the duet.

NOTE

- You can use only the MODERN or CLASSIC tone for a duet.

2. Press the **MODERN** and **CLASSIC GRAND PIANO** buttons at the same time.
 - This will enter the Duet Mode and split the keyboard. The GRAND PIANO lamp will flash momentarily to let you know when the Duet Mode is entered.
3. To exit the Duet Mode, press either the **MODERN** or **CLASSIC GRAND PIANO** button.

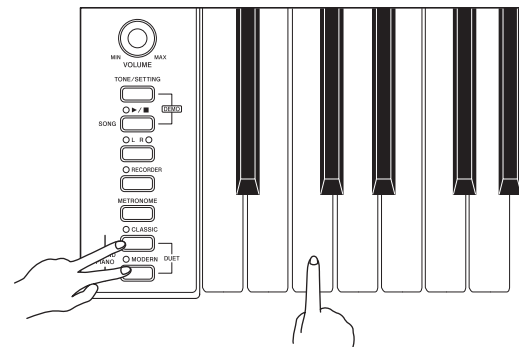
IMPORTANT!

- The digital piano also will exit the Duet Mode if you use the **TONE/SETTING** button and tone setting keyboard keys to select a tone in step 3.
- You cannot use the Duet Mode while recording.

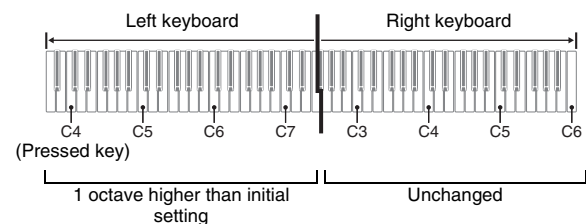
Changing the Octaves of the Keyboards

You can change the ranges of the left and right keyboards in octave units from their initial default settings. This comes in handy, for example, if the initial default range is not enough when one person is playing the left hand part and another person is playing the right hand part.

1. While holding down the **MODERN** and **CLASSIC GRAND PIANO** buttons, press the keyboard key of C that you want located at C4 (middle C) of the left keyboard.



Example: Press the keyboard key of the leftmost C will assign the range shown below.

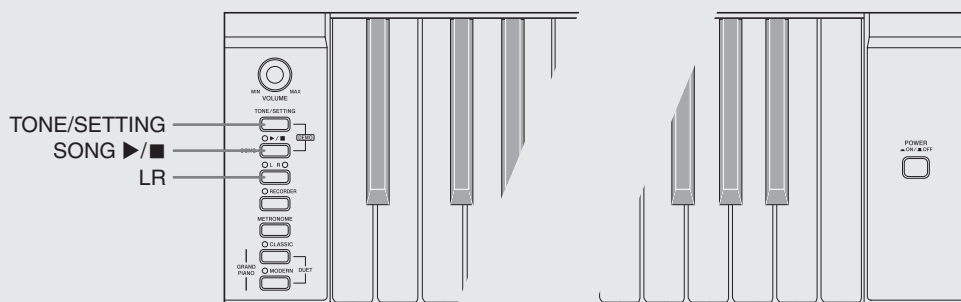


2. While holding down the **MODERN** and **CLASSIC GRAND PIANO** buttons, press the keyboard key of C that you want located at C4 (middle C) of the right keyboard.

NOTE

- You can return the keyboards to their initial default ranges by exiting and then re-entering the Duet Mode.

Playing Back Built-in Songs



IMPORTANT!

- After you select a built-in song, it can take a number of seconds for the song data to be loaded. While the data is being loaded, the keyboard keys and button operations will be disabled. If you are playing something on the keyboard, the following operation will cause output to stop.

Playing Back All of the Built-in Songs

Your digital piano comes with a Music Library of 60 built-in tunes. You can play all 60 tunes in sequence, from beginning to end.

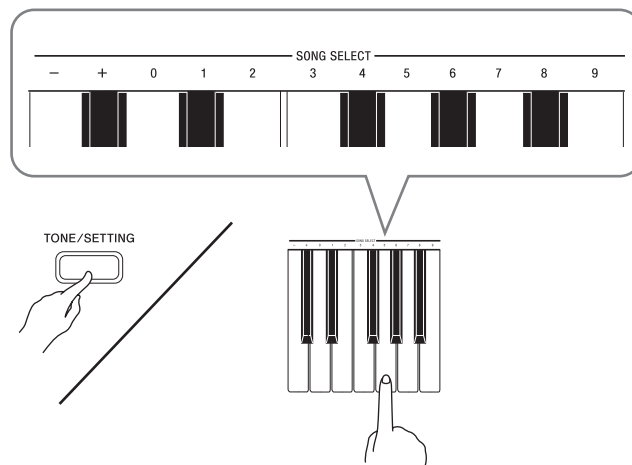
1. While holding down the **TONE/SETTING** button, press the **SONG ▶/■** button.
 - This will start repeat demo playback of the built-in songs in sequence, from 01 through 60.
 - You can play along with a song on the keyboard as it is playing. The tone assigned to the keyboard is the one that is preset for the song that is playing.
 - You can select a specific song during demo playback. For details, see step 2 under “Playing Back a Specific Music Library Song”.
2. Press the **SONG ▶/■** button again to stop built-in song play.

NOTE

- The tune selection and playback stop operations described above are the only operations that are possible during demo tune play.

Playing Back a Specific Music Library Song

1. Find the song number of the song you want to play in the song list on page A-1.
2. To change to another song, hold down the **TONE/SETTING** button as you use the **SONG SELECT** keys to specify a song number.



- Each press of the + or – key raises or lowers the song number by 1.
- You can use the value input keys (0 to 9) to enter a specific song number. Be sure to input all two-digits.

Example: To select song 08, enter 0 and then 8.

3. Press the **SONG ▶/■** button.
 - This starts the playback of the song.
4. To stop playback, press the **SONG ▶/■** button again.
 - Playback will stop automatically when the end of the song is reached.

 **NOTE**

- Pressing the + and – keys at the same time will select song number 01.
- You also can adjust the playback tempo and volume of the song. See “Configuring Settings with the Keyboard” on page E-18 for more information.

Practicing with a Music Library Song

You can turn off the left hand part or right hand part of a song and play along on the piano.

 **NOTE**

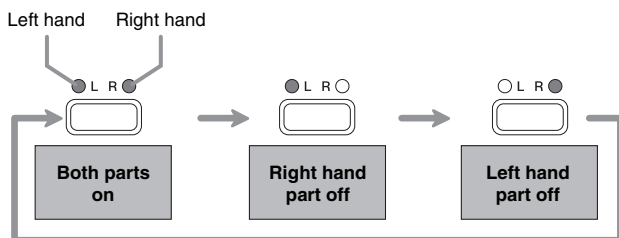
- The Music Library includes a number of duets. While a duet is selected, you can turn off the first piano <Primo> or second piano <Secondo> tone and play along with the song.

PREPARATION

- Select the song you want to practice and adjust the tempo. See “Configuring Settings with the Keyboard” on page E-18.
- A number of tunes have tempo changes part way through in order to produce specific musical effects.

1. Use the **LR** button to turn off a part.

- Each press of the **LR** button cycles through the part settings as shown below. The indicator lamps above the button show which part is turned off.



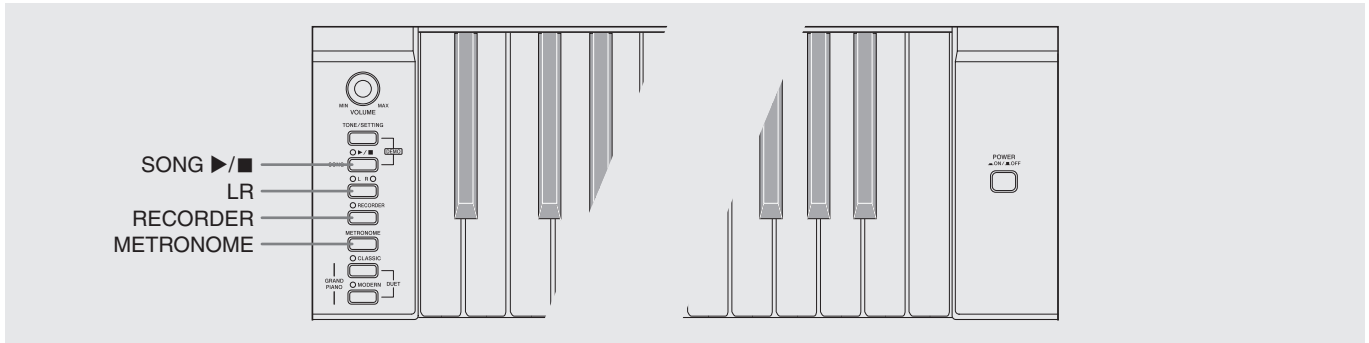
2. Press the **SONG ▶/■** button.

- This starts playback, without the part you turned off in step 1.

3. Play the missing part on the keyboard.

4. To stop playback, press the **SONG ▶/■** button again.

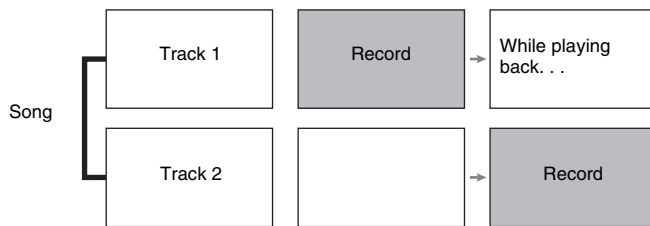
Recording and Play Back



You can store the notes you play in digital piano memory for later playback.

Tracks

A track is a container of recorded data, and a song consists of two tracks: Track 1 and Track 2. You can record each track separately and then combine them so they play back together as a single song.



Memory Capacity

- You can record approximately 5,000 notes in digital piano memory.
- The **RECORDING** lamp will flash at high speed when memory runs low.
- Recording stops automatically if the number of notes in memory exceeds the maximum.

Recorded Data

- Keyboard play
- Tone used
- Pedal operations
- Reverb and chorus settings (Track 1 only)
- Tempo setting (Track 1 only)
- Layer setting (Track 1 only)

Recording Data Storage

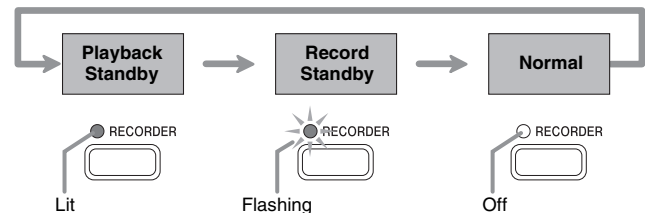
- Starting a new recording deletes any data that was previously recorded in memory.
- Should power fail during recording, all of the data in the track you are recording will be deleted.

IMPORTANT!

- CASIO COMPUTER CO., LTD. takes no responsibility for any damages, lost profits, or claims by third parties arising from the deletion of recorded data due to malfunction, repair, or for any other reason.

Using the RECORDER Button

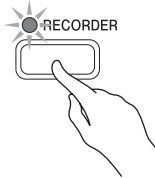
Each press of the **RECORDER** button cycles through the recording options in the sequence shown below.



To record to a specific track of a song

After recording to either of the tracks of a song, you can record to the other track while listening to playback what you recorded in the first track.

1. Press the **RECORDER** button twice so its lamp is flashing.



- At this time the **L** lamp will flash to indicate that the digital piano is standing by for recording to Track 1.



2. Use the **LR** button to select the track to which you want to record.

- Make sure that the indicator lamp for the record track is flashing.

Track 1: **L** lamp

Track 2: **R** lamp

Example: Track 1 Selected



3. Select the tone and effects (Track 1 only) you want to use in your recording.

- Tone (page E-6)
- Effect (page E-9)

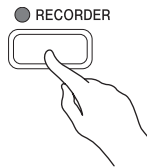
NOTE

- If you want the metronome to sound while you are recording, configure the beat and tempo settings, and then press the **METRONOME** button. See "Using the Metronome" on page E-10 for more information.

4. Start playing something on the keyboard.
 - Recording will start automatically.
5. To stop recording, press the **SONG** ►/■ button again.
 - This will cause the **RECORDER** button and **LR** button lamps to change from flashing to lit.
 - To play back the track you just recorded, press the **SONG** ►/■ button.
6. After you are finished recording or playing back, press the **RECORDER** button so its lamp goes out.

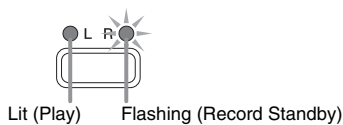
To record to one track of a song while listening to the playback of the other track

1. Press the **RECORDER** button so its lamp is lit.



2. Press the **LR** button until the lamp of only the track to which you want to play back is lit.
3. Press the **RECORDER** button so its lamp is flashing.
 - This will cause the L lamp to flash.
4. Use the **LR** button to select the track to which you want to record.
 - Make sure that the indicator lamp for the record track is flashing.

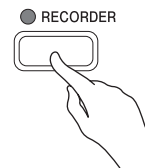
Example: To listen to playback of Track 1 as you record to Track 2



5. Select the tone and effects (Track 1 only) you want to use for your recording.
6. Press the **SONG ▶/■** button or play something on the keyboard.
 - This will start both playback of the recorded track and recording to the other track.
7. To stop recording, press the **SONG ▶/■** button.

Playing Back from Digital Piano Memory

1. Press the **RECORDER** button so its lamp is lit.



NOTE

- When a song has something recorded in both tracks, you can turn off one track and play back just the other track, if you want. Whether a track is on or off is indicated by the lamps above the **LR** button. Each press of the **LR** button cycles through the different possible track on/off settings.

2. Press the **SONG ▶/■** button.

- This starts playback of the song and/or track you selected.

NOTE

- You can change the tempo setting as a track is playing.
- Press the **SONG ▶/■** button again to stop playback.

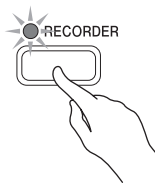
Deleting Recorded Data

The following procedure deletes a specific track of a song.

IMPORTANT!

- The procedure below deletes all of the data of the selected track. Note that the delete operation cannot be undone. Check to make sure you really do not need the data in digital piano memory before you perform the following steps.

1. Press the **RECORDER** button so its lamp is lit.
2. Press the **RECORDER** button again so its lamp is flashing.



3. Use the **LR** button to select the track you want to delete.
 - This causes the lamp of the selected track to flash.
4. Hold down the **RECORDER** button until the lamp of the track you want to delete flashes and the lamp of the other track is off.

Example: To delete Track 2

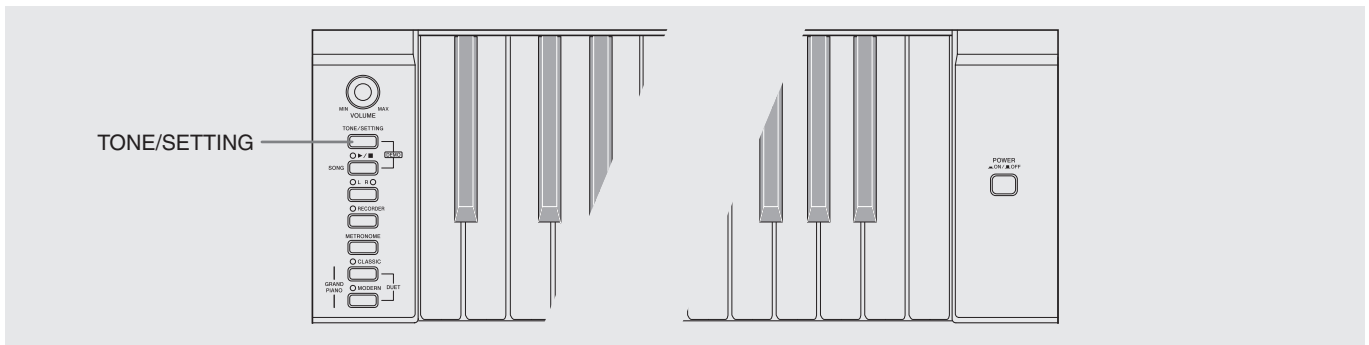


5. Press the **LR** button.
 - This deletes the selected track and enters playback standby.
 - To cancel the delete operation, press the **RECORDER** button in place of the **LR** button.

NOTE

- Only the digital piano's **LR** button and **RECORDER** button are operational from step 4 until you actually perform the delete operation in step 5. No other button operation can be performed.

Configuring Settings with the Keyboard

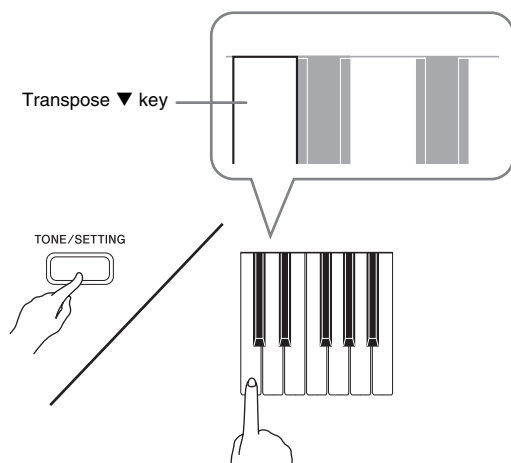


In addition to selecting tones and Music Library tunes, you also can use the **TONE/SETTING** button in combination with the keyboard keys to configure effect, keyboard touch, and other settings.

To configure settings with the keyboard

1. Use the “Parameter List” on page E-20 to find the setting you want to configure, and note its details.
2. Use “Keyboard Keys Used for Configuring Settings” on page E-19 to find the location on the keyboard for configuring the setting you want.
3. While holding down the **TONE/SETTING** button, press the keyboard key for the setting you want to configure.
 - The digital piano will sound an operation tone after it configures the setting.

Example: To lower the transpose setting by one semitone by pressing the ▼ keyboard key once



4. Release the **TONE/SETTING** button to complete the setting procedure.

NOTE

- You can configure the digital piano so no operation tone sounds in step 3. For details, see “ Operation Tone” under “Parameter List” on pages E-20 - E-22.

Keyboard Setting Operation Types

There are three types of operations that you can perform while configuring settings with the keyboard keys: Type A, Type B, and Type C.

Type A: Direct input

Example: Pressing the STRINGS keyboard key to select the STRINGS tone

Type B: Raising or lowering a setting using the + and – or ▼ and ▲ keyboard keys

- Holding down a key raises or lowers the setting at high speed.
- To return to the initial default setting, press both keys at the same time.

Type C: Value input using the numeric keys (0 to 9)

Example: To enter “120”, press keys 1, 2, 0.

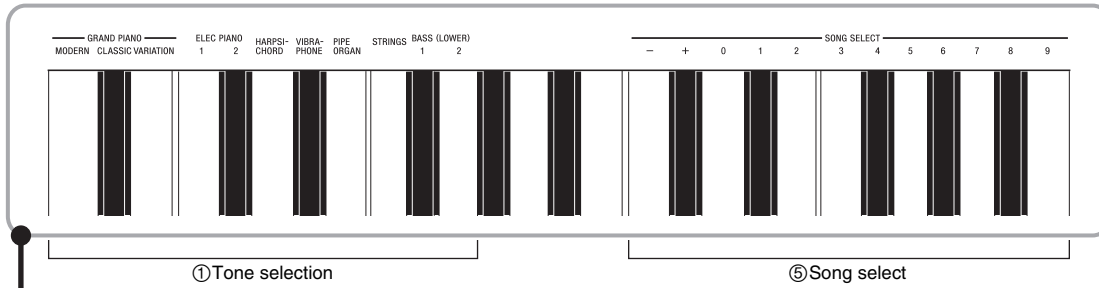
NOTE

- You can find out what operation type applies to each setting by checking the “Operation Type” in the “Parameter List” on page E-20.

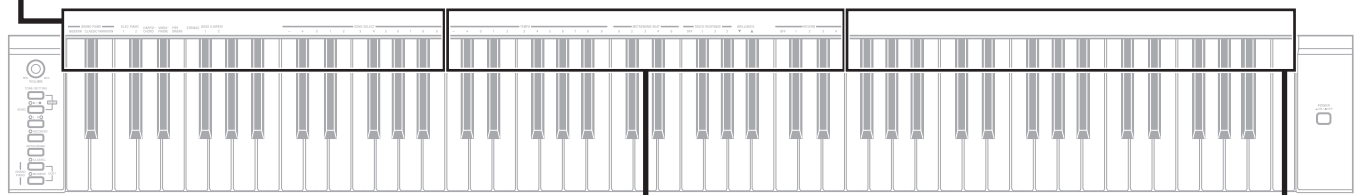
Keyboard Keys Used for Configuring Settings

• The numbers ① through ⑰ correspond to the same numbers in the “Parameter List” on page E-20.

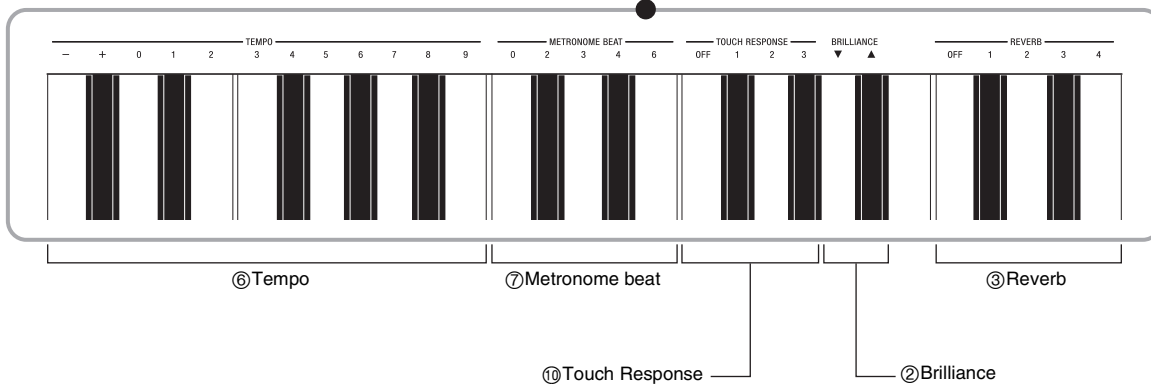
[Left keyboard]



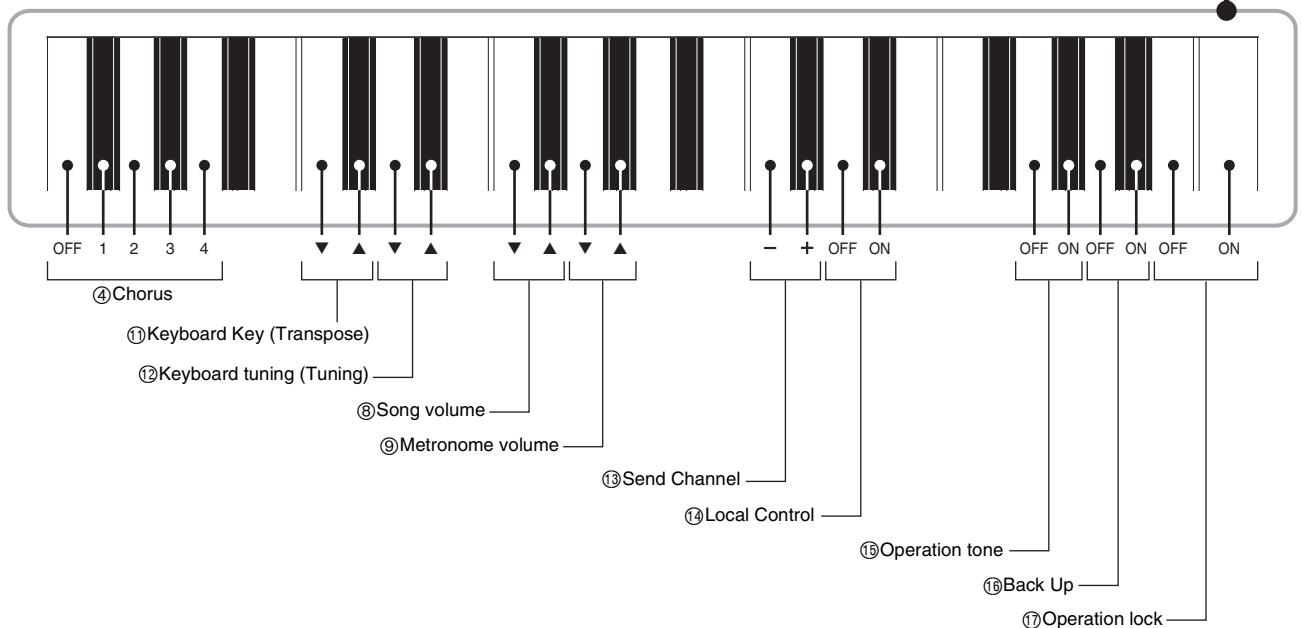
[Overall]



[Center keyboard]



[Right keyboard]



Parameter List

■ Tones

Parameter	Settings	Operation Type (page E-18)	Description	Remarks
① Tone selection	See page E-6. Default: GRAND PIANO (MODERN)	A	Assigns a tone to the keyboard. (page E-6)	
② Brilliance (BRILLIANCE)	-3 to 0 to 3 Default: 0	B	Specifies the brilliance of notes. (page E-8)	
③ Reverb (REVERB)	Off (OFF), 1 to 4 Default: 2	A	Specifies the reverb of notes. (page E-9)	
④ Chorus	Off (OFF), 1 to 4 Default: Off	A	Controls the breadth of notes. (page E-9)	<ul style="list-style-type: none"> • Chorus is not available in the Duet Mode. • When tones are layered, Chorus is applied only to the second tone you select for layering. • Turning on Chorus while a bass tone is selected will apply the effect to the bass tone only. Chorus will not be applied to the high-range tone.

■ Song/Metronome

Parameter	Settings	Operation Type (page E-18)	Description	Remarks
⑤ Song Select (SONG SELECT)	01 to 60 Default: 01	B (+/-) C (0 to 9)	Selects a Music Library tune. (page E-12)	<ul style="list-style-type: none"> • Always enter two-digits when using the number keys (0 to 9) to input a value. <i>Example:</i> To input 8, enter 0, 8 (leading zero required). • This setting cannot be changed while recording.
⑥ Tempo (TEMPO)	20 to 255 Default: 120	B (+/-) C (0 to 9)	Specifies the tempo of Music Library songs, the metronome, recording and playback, etc. (page E-10)	<ul style="list-style-type: none"> • Always enter three digits when using the number keys (0 to 9) to input a value. <i>Example:</i> To input 90, enter 0, 9, 0 (leading zero required). • During recording, pressing + and - at the same time sets a value of 120.
⑦ Metronome Beat (METRONOME BEAT)	0, 2, 3, 4, 6 Default: 4	A	Specifies the metronome beat. (page E-10)	<ul style="list-style-type: none"> • The metronome beat setting cannot be changed while playback of a Music Library tune is in progress.
⑧ Song volume	00 to 42 Default: 42	B	Sets the volume level of Music Library playback.	<ul style="list-style-type: none"> • This setting cannot be changed while recording.
⑨ Metronome Volume	00 to 42 Default: 36	B	Specifies the metronome volume. (page E-10)	

■ Keyboard

Parameter	Settings	Operation Type (page E-18)	Description	Remarks
⑩ Touch Response (TOUCH RESPONSE)	Off (OFF), 1 to 3 Default: 2	A	Specifies the relative touch of the keyboard keys. Setting a smaller value causes lighter touch to produce more powerful sound.	
⑪ Keyboard Key (Transpose)	-12 to 0 to 12 Default: 0	B	Raises or lowers the tuning of the digital piano in semitone steps.	<ul style="list-style-type: none"> • The transpose setting cannot be configured while Music Library playback is in progress and in the Duet Mode. • Raising the key of the digital piano can cause notes the highest notes in the range of a tone to become distorted.
⑫ Keyboard tuning (Tuning)	-99 to 0 to 99 Default: 0	B	Raises or lowers the overall pitch of the digital piano in 1-cent steps (100 cents = 1 semitone) from the standard pitch of A4 = 440 Hz.	<ul style="list-style-type: none"> • The pitch setting cannot be changed while playback of a Music Library tune is in progress.

■ MIDI and Other Settings

Parameter	Settings	Operation Type (page E-18)	Description	Remarks
⑬ Send Channel	01 to 16 Default: 01	B	Specifies one of the MIDI channels (1 through 16) as the Send Channel, which is used for sending MIDI messages to an external device.	
⑭ Local Control	Off, On Default: On	A	Selecting "Off" for Local Control cuts off the digital piano's sound source, so no sound is produced by the digital piano when keys are pressed. Turn off local control when you want to sound only the connected MIDI device.	<ul style="list-style-type: none"> The Local Control setting cannot be changed while playback of a Music Library tune is in progress.
⑮ Operation Tone	Off, On Default: On	A	Selecting "Off" disables sounding of the operation tone whenever a keyboard key is pressed while the TONE/SETTING is depressed.	<ul style="list-style-type: none"> This setting is retained even when the digital piano is turned off. The operation tone setting cannot be changed while Music Library playback is in progress, while the metronome is sounding, and during recording.
⑯ Back Up	Off, On Default: Off	A	When "On" is selected for this setting, the digital piano will remember <u>its current settings</u> ^{*1} , and restore them when it is turned on again. When "Off" is selected, settings ^{*2} are reset to their initial defaults whenever the digital piano is turned on.	<ul style="list-style-type: none"> The back up setting cannot be changed while Music Library playback is in progress, while the metronome is sounding, in the Duet Mode, and during recording. <p>*1 The following settings are not remembered.</p> <ul style="list-style-type: none"> Duet Mode Tune LR (part) setting Local Control <p>*2 Except for the operation tone on/off setting.</p>
⑰ Operation Lock	Off, On Default: Off	A	Selecting "On" for this setting locks the digital piano's buttons (except for the power button and the buttons required for unlock), so no operation can be performed. Turn on operation lock when you want to protect against unintentional button operations.	<ul style="list-style-type: none"> The operation lock setting cannot be changed while Music Library playback is in progress, while the metronome is sounding, and during recording.

Connecting to the MIDI Terminal

What is MIDI?

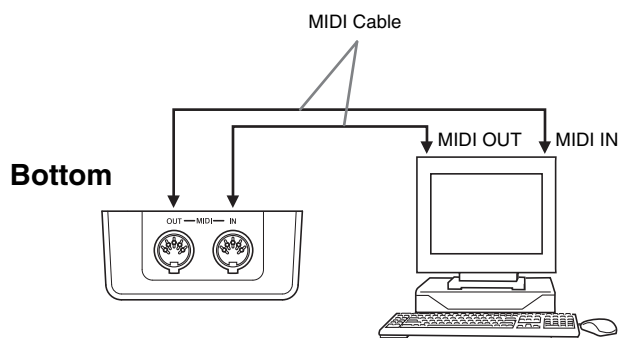
MIDI is a standard for digital signals and connectors that allows musical instruments, computers, and other devices, regardless of manufacturer, to exchange data with each other.



- For details about MIDI implementation, visit: <http://world.casio.com/>

MIDI Connections

Connecting your computer or other external MIDI device to the digital piano's **MIDI OUT/IN** terminals makes it possible for them to exchange MIDI messages and record and playback keyboard notes on the connected device.



MIDI Settings

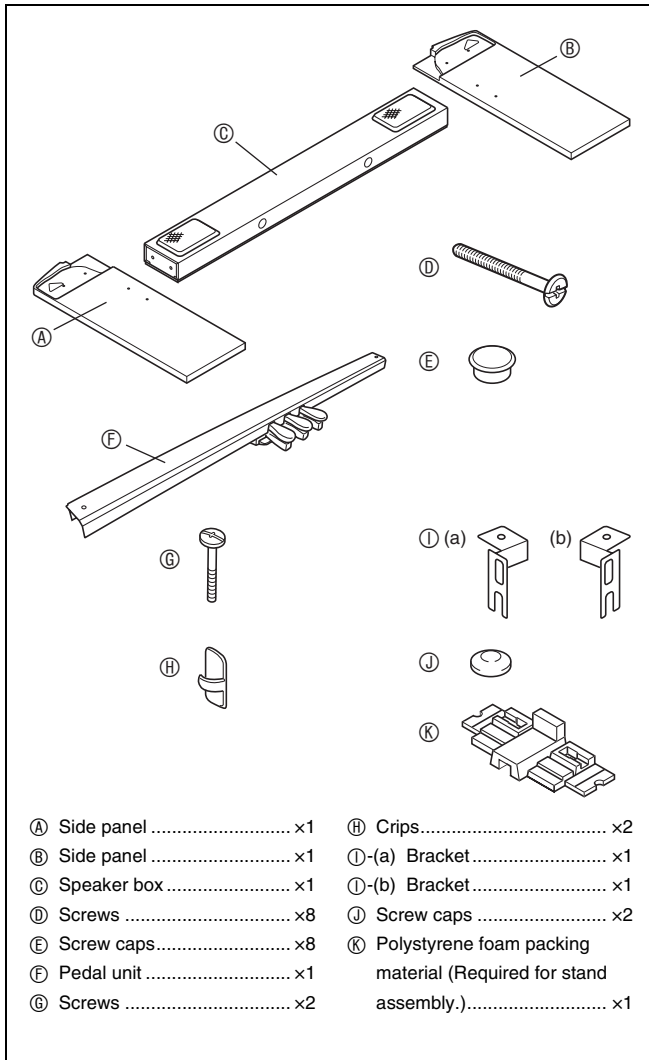
You can use the procedure in “Configuring Settings with the Keyboard” (page E-18) to configure MIDI settings. See page E-22 for a description of the settings and information about how to configure them.

Assembling the Stand

Unpacking

PREPARATION

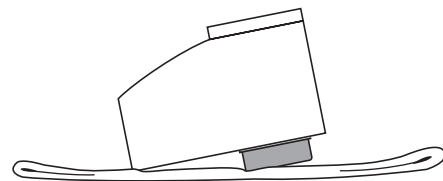
- Before starting assembly, check to make sure that you have all the parts shown below. You can find the screws in a plastic bag inside of the polystyrene foam packing material.
- This stand does not include any of the tools required for assembly. It is up to you to prepare a large Philips head (+) screwdriver for assembly.



Assembling the Stand

⚠ CAUTION

- The stand should be assembled by two people working together.
- The stand should be assembled on a flat surface.
- Do not remove the tape securing the keyboard cover in place until assembly is complete. Removing the tape can cause the keyboard cover to open and close during assembly, creating the risk of personal injury to your hands and fingers.
- Take care that you do not pinch your fingers between parts when assembling them.
- When placing the digital piano on the floor, be sure to place it on something soft (a blanket, cushion, etc.). Do not place the digital piano directly onto the floor.

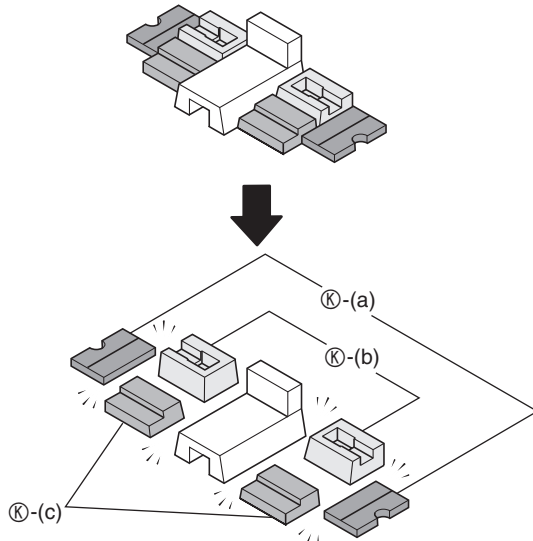


📌 NOTE

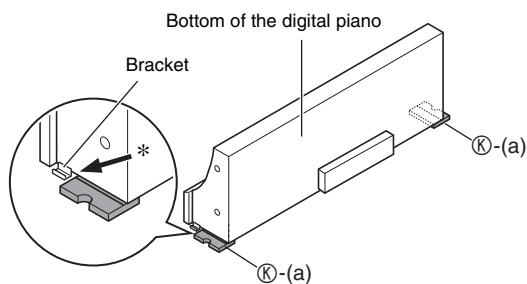
- When attaching the digital piano and the speaker box (C) to side panels (A) and (B), lay the entire assembly on its side.
- Be sure to follow the proper procedure when assembling the stand.

PREPARATION

- Before starting assembly of the stand, divide the polystyrene foam packing material $\text{\textcircled{K}}$ into the sections as shown in the illustration below. After dividing up the material, you should end up with a total of six pieces named $\text{\textcircled{K}}\text{-}(a)$, $\text{\textcircled{K}}\text{-}(b)$, and $\text{\textcircled{K}}\text{-}(c)$, which you will use while assembling the stand.
- If you do not have any packing material available for some reason, use a magazine or some other thick item.



1. Place the digital piano onto the two $\text{\textcircled{K}}\text{-}(a)$ foam pieces.



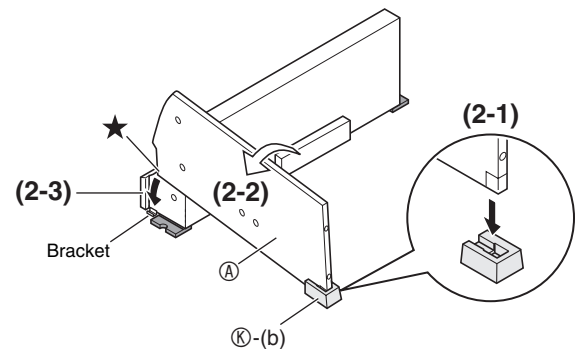
- * Make sure that the edges of the brackets on either side of the digital piano are positioned at the top of the foam pieces.

2. Perform the following steps to attach side panel $\text{\textcircled{A}}$ to the digital piano.

IMPORTANT!

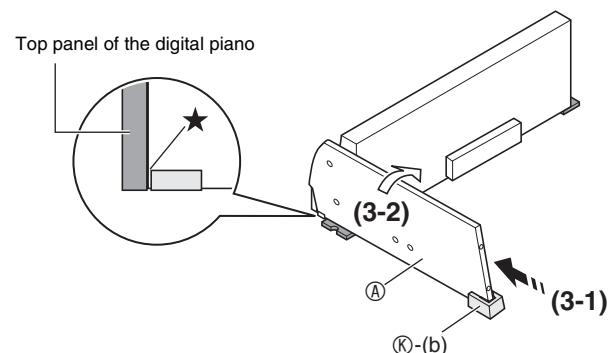
- When inserting the corner of the side panel into the bracket on the side of the digital piano in step (2-3) below, take care to avoid damaging the side panel corner (\star). Never try to insert the side panel into the bracket without first tilting the side panel at an angle as instructed in step (2-2). Doing so creates the risk of damage of the side panel corner.

- (2-1) On side panel $\text{\textcircled{A}}$, locate the corner that has a metal piece attached to it, and then insert that corner into foam piece $\text{\textcircled{K}}\text{-}(b)$.
- (2-2) Tilt side panel $\text{\textcircled{A}}$ slightly as indicated by the arrow in the illustration.
- (2-3) Keeping side panel $\text{\textcircled{A}}$ tilted at an angle, carefully insert the opposite corner (\star) into the bracket on the side of the digital piano.



3. Keeping side panel $\text{\textcircled{A}}$ tilted at an angle, align the side panel with side of the digital piano.

- (3-1) Push side panel $\text{\textcircled{A}}$ in the direction indicated by the black arrow in the illustration to align the side panel so there is as little space as possible between its top edge $\text{\textcircled{A}}$ and the bottom of the top panel of the digital piano (\star).
- (3-2) After alignment is complete, stand side panel $\text{\textcircled{A}}$ straight up so it is firmly against the side of the digital piano.

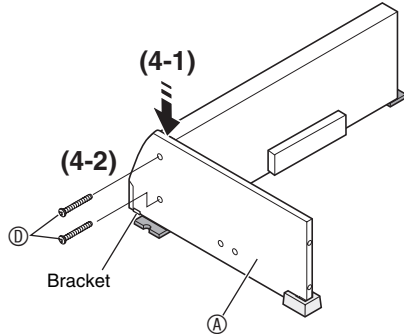
**IMPORTANT!**

- When performing step (3-1) above, make sure that you position side panel $\text{\textcircled{A}}$ so its top edge reaches the bottom of the digital piano top panel. If it does not, you will not be able to stand side panel $\text{\textcircled{A}}$ straight up in step (3-2).

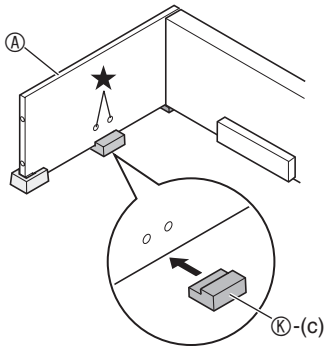
4. Perform the following steps to secure the side panel to the digital piano.

(4-1) Press downwards on side panel **A** to ensure that it is inserted as far as it will go into the bracket on the side of the digital piano.

(4-2) Use the **D** screws to secure side panel **A** to the digital piano.



5. Insert foam piece **K-(c)** under side panel **A** as shown in the illustration.



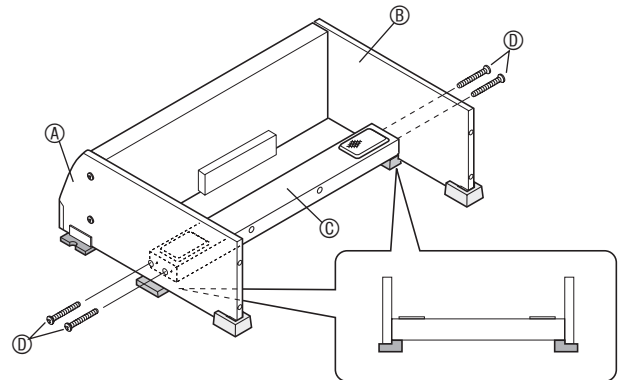
IMPORTANT!

- The foam piece should be located directly under the two screw holes (★) in the side panel.

6. Repeat steps 2 through 5 to attach side panel **B** to the other side of the digital piano.

7. With the speaker box **C** laying on its side as shown in the illustration, secure side panels **A** and **B** to the speaker box **C**. Secure the side panels using four screws **D**.

- Align the screw holes of the speaker box **C** with the screw holes of the side panels as you install the screws **D**.
- Partially tighten the screws on one side of the speaker box **C** and then fully tighten the screws on the other side.
- Next, fully tighten the screws that you partially tightened.

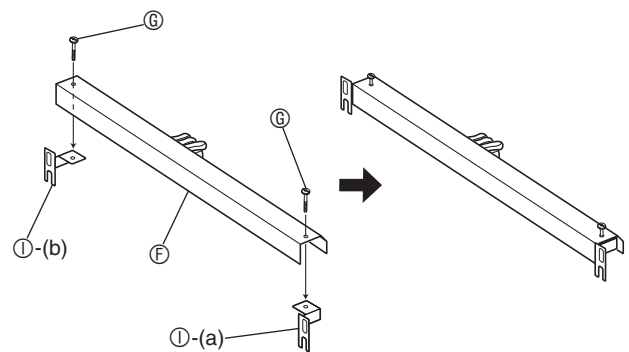


- You can also install the speaker box **C** so it faces towards the back of the stand.

8. After ensuring that all of the screws are fully tightened, remove the packing material and stand up the stand.

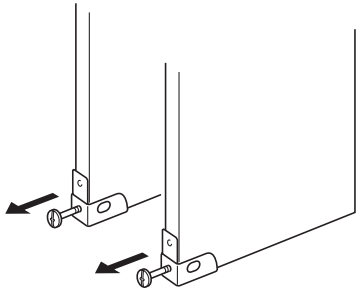
- After standing up the stand, cover each of the eight screws you have installed up to this point with screw caps **E**.

9. Attach the brackets **I** to the pedal unit **F**, and temporarily secure them with screws **G**.

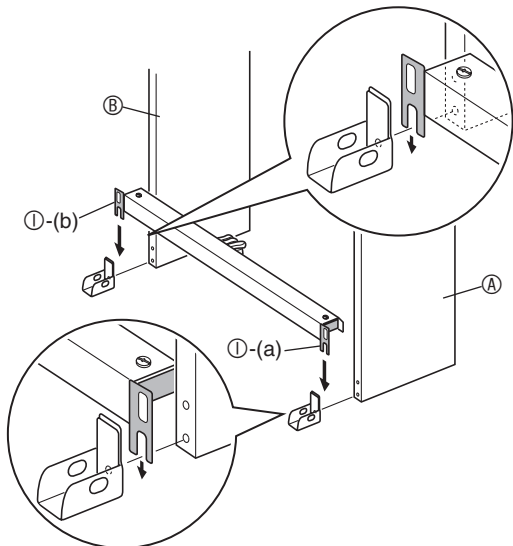


If you plan to locate the digital piano against a wall, proceed to step 10 on page E-28.

10. Remove the screws that hold the corner brackets in place on the back corners (the corners away from the pianist) of the side panels.



11. As shown in the illustration, reverse the corner brackets you removed in step 10, and insert pedal unit brackets ①-(a) and ①-(b) between the each of the corner brackets and the side panels ④ and ⑤.

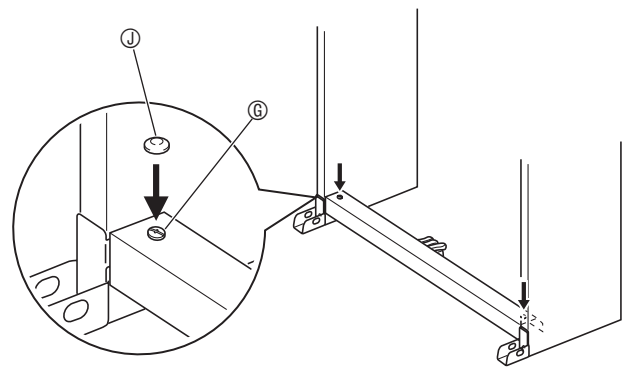


⚠ WARNING

- The corner brackets help to prevent the stand from tipping over. Whenever the stand is in a location that is not up against a wall, reorient the corner brackets as shown in the illustration. Leaving the corner brackets in their original orientations can make it easy for the stand to tip over towards the back, creating the risk of personal injury.

12. Securely tighten the screws ⑥ that you temporarily tightened in step 9.

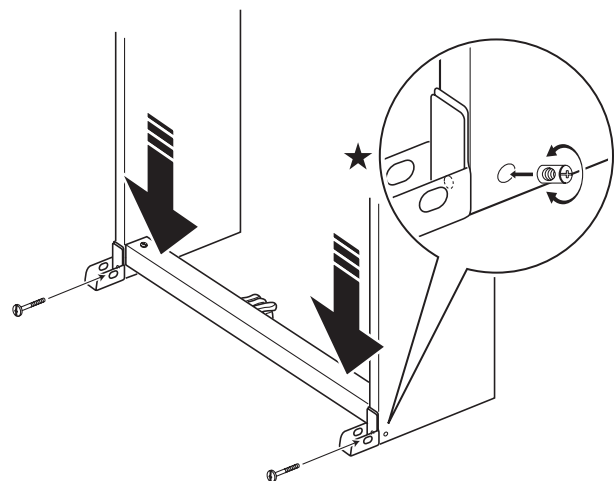
- Cover the screw heads with the caps ⑦.



13. Secure the corner brackets to the stand using the screws you removed in step 10.

✋ IMPORTANT!

- Press down on the edges of the pedal unit as you tighten the corner bracket screws.



- The side panels have joint connectors inside that engage with the corner bracket screws. If you have trouble inserting the screws into the joint connector screw holes, use a screwdriver to rotate the joint connector and adjust the position of the screw hole for easier access. See the detail drawing (marked with a star) in the above illustration.

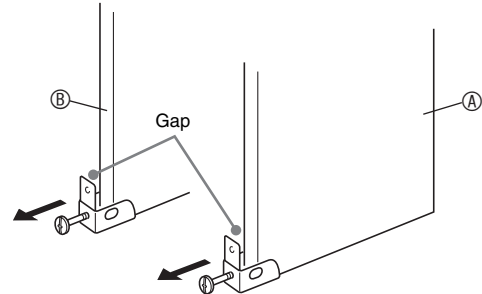
To tighten the joint connector and screw

- (1) Rotate the screw counterclockwise about three turns to ensure that the screw is in the center of the joint connector.
- (2) Slowly rotate the screw clockwise and confirm that it tightens without resistance. If you feel any resistance, it means that the screw is not engaging properly with the joint connector. Rotate the screw counterclockwise again and try to get it to engage properly.
- (3) If you experience problems getting the screw to engage properly, use a screwdriver to rotate the joint connector 180 degrees. Next perform steps (1) and (2) again to engage the screw from the screw hole on the other side.
 - * Forcibly tightening a screw while it is not engaged properly can strip the threads of the screw and joint connector, making it impossible to tighten the screw.

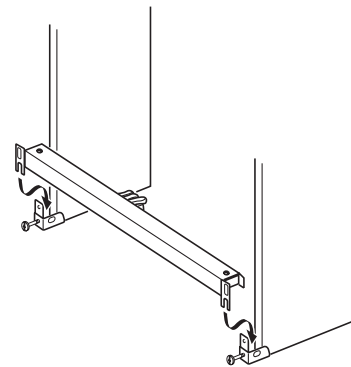
Locating the Stand against a Wall

- Perform steps 1 through 9 starting on page E-25.

10. Loosen the bracket screws at the bottom of the stand's side panels **A** and **B** to create a gap between the side panels and corner brackets as shown in the illustration.

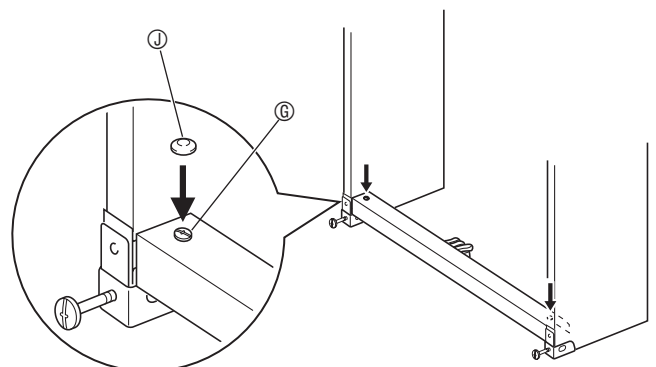


11. As shown in the illustration, insert the pedal unit brackets into to the gaps you created in step 10.



12. Securely tighten the screws **G** that you temporarily tightened in step 9.

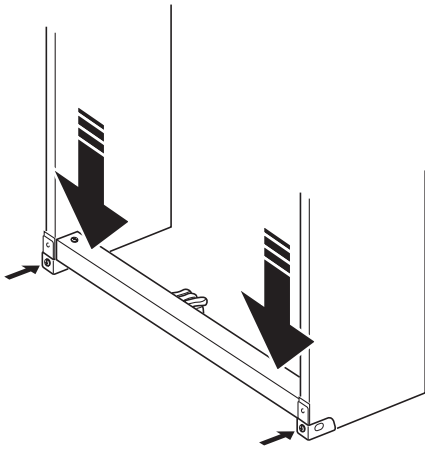
- Cover the screw heads with the caps **J**.



13. Tighten the screws you loosened in step 10 to secure the corner brackets to the side panels.

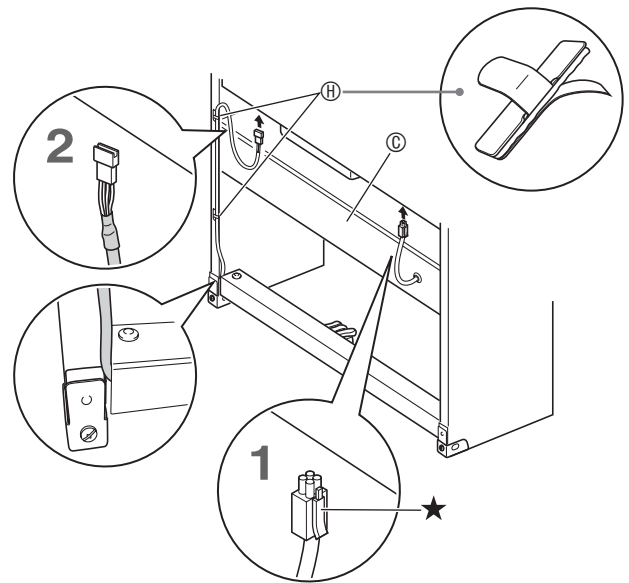
IMPORTANT!

- Press down on the edges of the pedal unit as you tighten the corner bracket screws.



To connect the cables

1. Plug the speaker box ① cable into the speaker connector on the bottom of the digital piano.
2. Making sure that the pedal unit cable plug is oriented as shown in the illustration below, plug it into the pedal connector on the bottom of the digital piano.
 - Use the ② clips to secure the pedal cable to two locations on side panel ③.

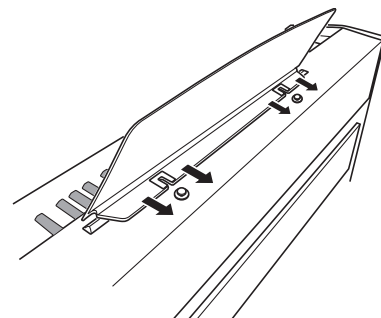


NOTE

- When plugging into connectors, make sure that the plug is inserted as far as it will go.
- When disconnecting the speaker cable, press the hook (★) as pull the plug out.

To install the music stand

1. Slide the music stand under the two bolts on the top of the digital piano as shown in the illustration and then tighten the bolts.



Reference

Troubleshooting

Problem	Cause	Action	See Page
No sound is produced when I press a keyboard key.	<ol style="list-style-type: none"> 1. The VOLUME controller is set to "MIN". 2. Headphones are connected to the digital piano. 3. MIDI Local Control is turned off. 	<ol style="list-style-type: none"> 1. Rotate the VOLUME controller more towards "MAX". 2. Unplug the headphones from the digital piano. 3. Turn on the Local Control setting. 	<ul style="list-style-type: none"> ☞ E-6 ☞ E-5 ☞ E-22
The pitch of the digital piano is off.	<ol style="list-style-type: none"> 1. The digital piano's key setting is something other than "0". 2. Digital piano tuning is incorrect. 	<ol style="list-style-type: none"> 1. Change the key setting to "0", or turn digital piano power off and then back on again. 2. Adjust digital piano tuning, or turn the digital piano off and then back on again. 	<ul style="list-style-type: none"> ☞ E-21 ☞ E-21
No sound is produced when I try to play back a built-in song or a recorded song.	<ol style="list-style-type: none"> 1. The VOLUME controller is set to "MIN". 2. Headphones are connected to the digital piano. 	<ol style="list-style-type: none"> 1. Rotate the VOLUME controller more towards "MAX". 2. Unplug the headphones from the digital piano. 	<ul style="list-style-type: none"> ☞ E-6 ☞ E-5
When I play something on the digital piano, my connected external MIDI sound source does not sound.	<ol style="list-style-type: none"> 1. The digital piano's send channel is different from the send channel of the external MIDI sound source. 2. The volume or expression setting of the external sound source is "0". 	<ol style="list-style-type: none"> 1. Change the send channel settings of the digital piano and/or the external MIDI sound source so they are the same. 2. Adjust the volume and expression settings of the external sound source. 	<ul style="list-style-type: none"> ☞ E-22 ☞ External sound source user's guide
A tone's quality and volume sounds slightly different depending where it is played on the keyboard.	<p>This is an unavoidable result of the digital sampling process,* and does not indicate malfunction.</p> <p>* Multiple digital samples are taken for the low range, middle range, and high range of the original musical instrument. Because of this, there may be a very slight difference in tonal quality and volume between sample ranges.</p>		
When I press a button, the note that is sounding cuts out momentarily or there is a slight change in how effects are applied.	<p>This happens when the sounds of multiple parts are sounding at the same time while using layer, using the Duet Mode, playing back a built-in tune, recording, etc. Pressing a button when one of these conditions exists will cause the effect setting that is built into the tone to change automatically, which causes the notes to cut out momentarily or causes a slight change in how effects are being applied.</p>		

Product Specifications

Model	PX-720/PX-720C
Keyboard	88-key piano keyboard, with Touch Response
Maximum Polyphony	128 notes
Tones	11 <ul style="list-style-type: none"> • Layer (excluding bass tones) • Split (Low-range bass tones only)
Effects	Brilliance (-3 to +3), Reverb (4 types), chorus (4 types), Acoustic Resonance
Metronome	<ul style="list-style-type: none"> • Beats: 0, 2, 3, 4, 6 • Tempo Range: 20 to 255
Duet	Adjustable tone range (-1 to +2 octaves)
Music Library	<ul style="list-style-type: none"> • Number of Songs: 60 • Song volume: Adjustable • Part On/Off: L, R
Recorder	<ul style="list-style-type: none"> • Functions: Real-time recording, playback • Number of Song: 1 • Number of Tracks: 2 • Capacity: Approximately 5,000 notes total • Recorded Data Protection: Built-in flash memory
Pedals	Damper, soft, sostenuto
Other Functions	<ul style="list-style-type: none"> • Touch Select: 3 types, Off • Transpose: 2 octaves (-12 to 0 to 12) • Tuning: A4 = 440.0 Hz ±99 cents (variable) • Operation Lock
MIDI	16-channel multi-timbre receive
Inputs/Outputs	<ul style="list-style-type: none"> • PHONES jack: Stereo standard jacks × 2 Output impedance: 170Ω Output Voltage: 5.6V (RMS) MAX • Power: 12V DC • MIDI OUT/IN terminals • Pedal connector
Speakers	φ 12cm × 2 (Output 8W + 8W)
Power Requirements	AC Adaptor: AD-12
Power Consumption	12V --- 18W
Dimensions	Digital Piano and Stand: 137.4 (W) × 29.8 (D) × 79.2 (H) cm (54 × 11 ³ / ₄ × 31 ³ / ₁₆ inch)
Weight	Digital Piano and Stand: approximately 32.0 kg (70.5 lbs)

- Specifications and designs are subject to change without notice.

Operating Precautions

Be sure to read and observe the following operating precautions.

■ Location

Avoid the following locations for this product.

- Areas exposed to direct sunlight and high humidity
- Areas subjected to temperature extremes
- Near a radio, TV, video deck, or tuner

The above devices will not cause malfunction of the product, but the product can cause interference in the audio or video of a nearby device.

■ User Maintenance

- Never use benzene, alcohol, thinner, or other chemical agents to clean the product.
- To clean the product or its keyboard, wipe with a soft cloth moistened in a weak solution of water and a mild neutral detergent. Wring all excess moisture from the cloth before wiping.

■ Included and Optional Accessories

Use only accessories that are specified for use with this product. Use of unauthorized accessories creates the risk of fire, electric shock, and personal injury.

■ Weld Lines

Lines may be visible on the exterior of the product. These are "weld lines" that result from the plastic molding process. They are not cracks or scratches.

■ Musical Instrument Etiquette

Always be aware of others around you whenever using this product. Be especially careful when playing late at night to keep the volume at levels that do not disturb others. Other steps you can take when playing late at night are closing the window and using headphones.

- Any reproduction of the contents of this manual, either in part or its entirety, is prohibited. Except for your own, personal use, any other use of the contents of this manual without the consent of CASIO is prohibited under copyright laws.
- IN NO EVENT SHALL CASIO BE LIABLE FOR ANY DAMAGES WHATSOEVER (INCLUDING, WITHOUT LIMITATION, DAMAGES FOR LOSS OF PROFITS, BUSINESS INTERRUPTION, LOSS OF INFORMATION) ARISING OUT OF THE USE OF OR INABILITY TO USE THIS MANUAL OR PRODUCT, EVEN IF CASIO HAS BEEN ADVISED OF THE POSSIBILITY OF SUCH DAMAGES.
- The contents of this manual are subject to change without notice.

Appendix/Apéndice

Tone List/Lista de tonos

Tone Name/ Nombre de tonos	Program Change/ Cambio de programa	Bank Select MSB/ MSB de selección de banco	Maximum Polyphony/ Polifonía máxima
GRAND PIANO (MODERN)	0	48	64
GRAND PIANO (CLASSIC)	0	49	64
GRAND PIANO (VARIATION)	0	50	128
ELEC PIANO 1	4	48	128
ELEC PIANO 2	5	48	64
HARPSICHORD	6	48	128
VIBRAPHONE	11	48	128
PIPE ORGAN	19	48	128
STRINGS	49	48	128
BASS 1	32	48	128
BASS 2	32	49	64

Song List/Lista de canciones

No./N°	Song Name/Nombre de canciones
01	Nocturne Op.9-2
02	Fantaisie-Impromptu Op.66
03	Étude Op.10-3 "Chanson de l'adieu"
04	Étude Op.10-5 "Black Keys"
05	Étude Op.10-12 "Revolutionary"
06	Étude Op.25-9 "Butterflies"
07	Prélude Op.28-7
08	Valse Op.64-1 "Petit Chien"
09	Valse Op.64-2
10	Moments Musicaux 3
11	Impromptu Op.90-2
12	Marche Militaire 1 (Duet)
13	Frühlingslied [Lieder Ohne Worte Heft 5]
14	Fröhlicher Landmann [Album für die Jugend]
15	Von fremden Ländern und Menschen [Kinderszenen]
16	Träumerei [Kinderszenen]
17	Tambourin
18	Menuet BWV Anh.114 [Clavierbüchlein der Anna Magdalena Bach]
19	Inventio 1 BWV 772
20	Inventio 8 BWV 779
21	Inventio 13 BWV 784
22	Praeludium 1 BWV 846 [Das Wohltemperierte Klavier 1]
23	Le Coucou
24	Gavotte
25	Sonatina Op.36-1 1st Mov.
26	Sonatine Op.20-1 1st Mov.
27	Sonate K.545 1st Mov.
28	Sonate K.331 3rd Mov. "Turkish March"
29	Rondo K.485
30	Für Elise
31	Marcia alla Turca
32	Sonate Op.13 "Pathétique" 1st Mov.
33	Sonate Op.13 "Pathétique" 2nd Mov.
34	Sonate Op.13 "Pathétique" 3rd Mov.
35	Sonate Op.27-2 "Moonlight" 1st Mov.
36	Rhapsodie 2
37	Waltz Op.39-15 (Duet)
38	Liebesträume 3
39	Blumenlied
40	La Prière d'une Vierge
41	Csikos Post
42	Humoresque Op.101-7
43	Melodie [Lyrische Stücke Heft 2]
44	Sicilienne Op.78
45	Berceuse [Dolly] (Duet)
46	Arabesque 1
47	La Fille aux Cheveux de Lin [Préludes]
48	Passepied [Suite bergamasque]
49	Gymnopédie 1
50	Je Te Veux
51	Salut d'Amour
52	The Entertainer
53	Maple Leaf Rag
54	L'arabesque [25 Étüden Op.100]
55	La Styrienne [25 Étüden Op.100]
56	Ave Maria [25 Étüden Op.100]
57	Le retour [25 Étüden Op.100]
58	La chevaleresque [25 Étüden Op.100]
59	No.13 [Études de Mécanisme Op.849]
60	No.26 [Études de Mécanisme Op.849]



This recycle mark indicates that the packaging conforms to the environmental protection legislation in Germany.

Esta marca de reciclaje indica que el empaquetado se ajusta a la legislación de protección ambiental en Alemania.

CASIO®

Free Manuals Download Website

<http://myh66.com>

<http://usermanuals.us>

<http://www.somanuals.com>

<http://www.4manuals.cc>

<http://www.manual-lib.com>

<http://www.404manual.com>

<http://www.luxmanual.com>

<http://aubethermostatmanual.com>

Golf course search by state

<http://golfingnear.com>

Email search by domain

<http://emailbydomain.com>

Auto manuals search

<http://auto.somanuals.com>

TV manuals search

<http://tv.somanuals.com>