

Assembly Instructions

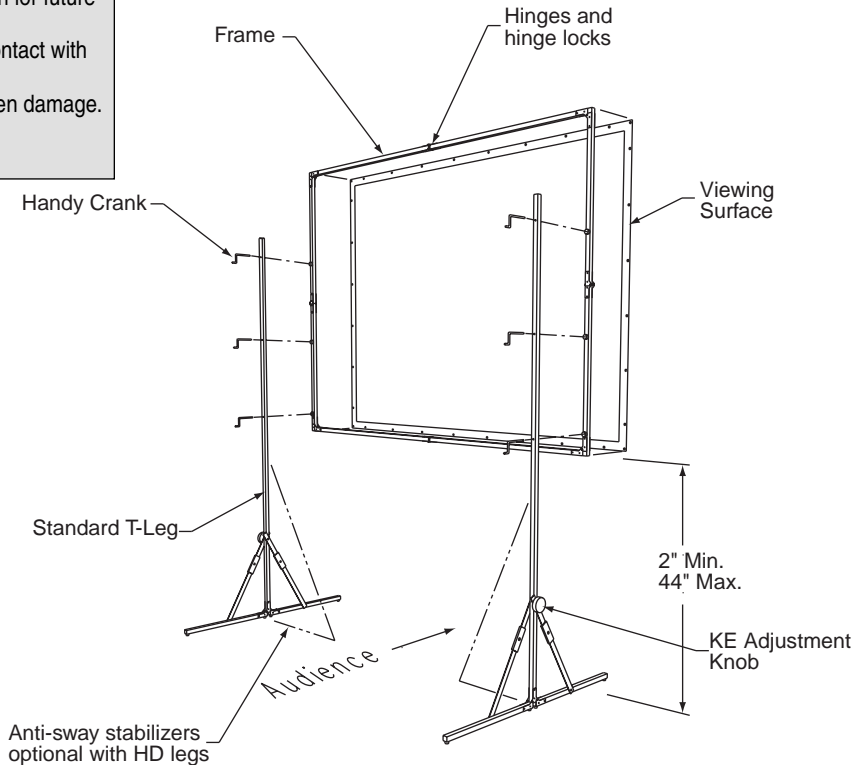
Cinefold Portable Projection Screen by Draper

Caution

- ① Read instructions through completely before proceeding; retain for future reference.
- ② Handle viewing surface with care; do not allow it to come in contact with sharp or dirty objects.
- ③ Use Handy Cranks provided; failure to do so may lead to screen damage.
- ④ Make sure screen is level.
- ⑤ Do not write on viewing surface.

Frame/Screen Assembly

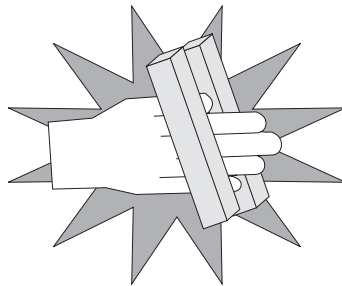
- ① Open carrying case and remove pouch containing screen surface, and three aluminum assemblies. The largest package is the frame. Unwrap and unfold it completely in one direction only, locking all hinges. Frame should lie with snaps facing up.
 - ② Remove surface from its envelope. With male snaps at bottom, snap surface to frame. For easier surface attachment, start in one corner, then work your way around the frame. Make sure snaps are secure.
- Please note:** For steps 3-5, screen should remain on floor or table, with surface facing up. Carefully lift screen from floor or table to complete each step.
- ③ Lock corner braces.
 - ④ Unfold leg assemblies and lock hinges. Check that adjustment knob is in the hole desired (upper for vertical screen position, lower for keystone elimination). DO NOT unfold feet at this time.
 - ⑤ Attach legs to back side of vertical frame sections, as indicated by the color coded markings, using Handy Cranks. For standard screen height, match colored tapes exactly. Height is adjustable in 6" increments.
 - ⑥ Raise Cinefold to a vertical position and unfold feet. Tighten adjustment knobs to maintain legs at desired angle. If your screen includes Heavy-Duty Legs, unfold and lock the extensions on the backs of the feet, hinge up to the backs of the leg, and attach with Handy Crank.
 - ⑦ If Anti-Sway stabilizers are supplied with your screen, refer to illustration and attach with Handy Cranks.



Caution: Make sure all hinges and joints are locked before raising screen to standing position.

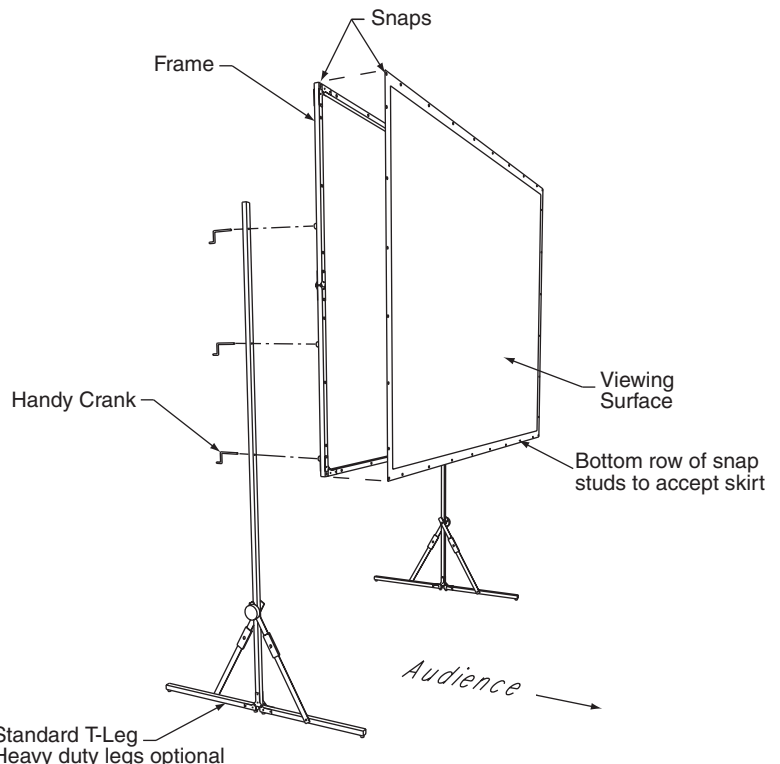
Caution: Make sure screen is placed on level surface.

Caution: Beware of pinch points.



A Note About Surfaces

- ① Always fold with snaps face-to-face. Do not permit screen fabric to contact border material or snaps when folded. Store in pouch provided.
- ② Take care at all times not to permit Cinefold viewing surface to contact any dusty or dirty area, nor any varnished or painted object.
- ③ When necessary, clean Cinefold viewing surface with **mild** soap and water. USE NO SOLVENTS! Surface must be completely dry before folding.



DRAPER®

411 S. Pearl St., Spiceland, IN 47385 USA ■ 765-987-7999
www.draperinc.com ■ fax 765-987-7142

Copyright © 2007 Draper Inc. Form Cinefold_Inst07 Printed in U.S.A.

Download from www.Somanuals.com. All Manuals Search And Download.

Assembly Instructions

Truss-Style Cinefold Portable Projection Screen by Draper

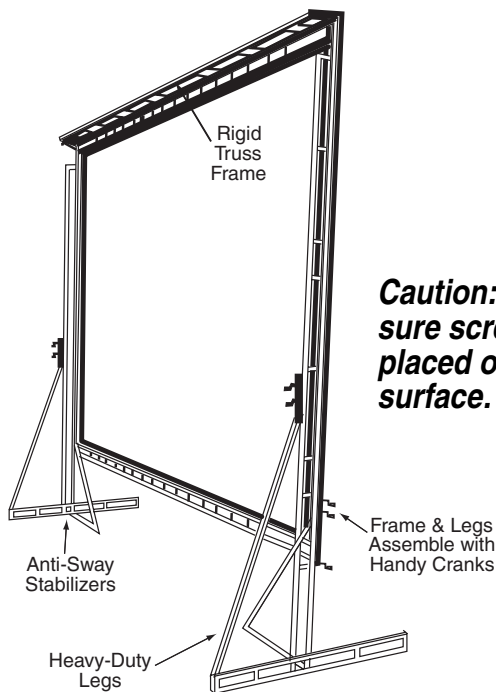
Caution

- ① Read instructions through completely before proceeding; retain for future reference.
- ② Handle viewing surface with care; do not allow it to come in contact with sharp or dirty objects.
- ③ Use Handy Cranks provided; failure to do so may lead to screen damage.
- ④ Make sure screen is level.
- ⑤ Do not write on viewing surface.

Truss Assembly

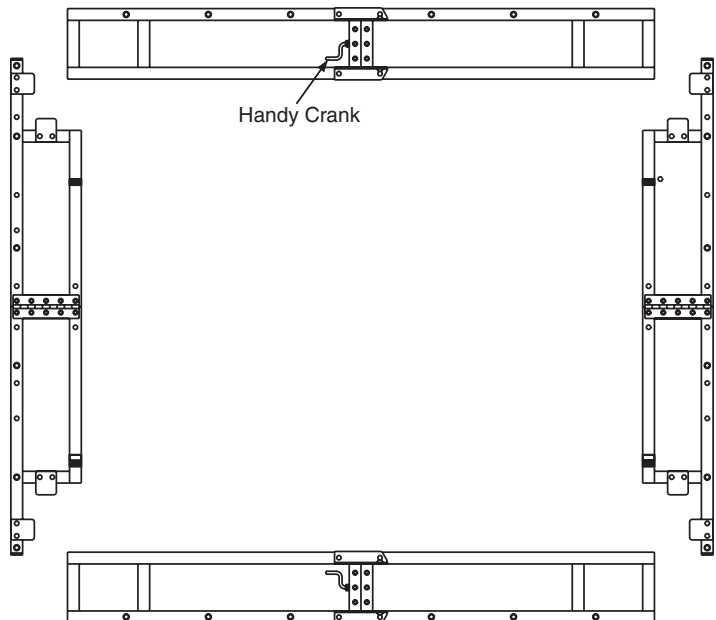
- ① Remove pouch containing viewing surface from case and set aside. Remove all aluminum assemblies.
- ② Unfold all folded aluminum assemblies completely, noting labels and color-coded marks. Lock all hinges. Position Stage Right and Stage Left sections in appropriate positions with snaps facing **up**. Top and Bottom sections should be set with snaps facing **down**.
- ③ To increase frame rigidity, hinges on top and bottom frame sections have rivnuts marked with red and green. Insert a Handy Crank through the threadless rivnut (red) and tighten into the threaded rivnut (green).
- ④ Apply small sections marked "Stiffener Bars" to back of Bottom frame section, using eight Handy Cranks each. Failure to use all Handy Cranks may result in damage to screen frame. Turn Bottom frame section over so snaps face up.
- ⑤ If your screen frame is less than 25' wide, repeat step 4 for Top frame section. Frames 25' wide and over are equipped with a special full-width Stiffener for the top frame section. To attach it, place Stiffener flat with green rivnuts face down. Place top frame section on top of and at right angles to Stiffener, over the green rivnuts. Insert and tighten standard Handy Cranks. Install 45° angle braces to the Top frame section and Stiffener with

Caution: Make sure all hinges and joints are locked before raising screen to standing position.

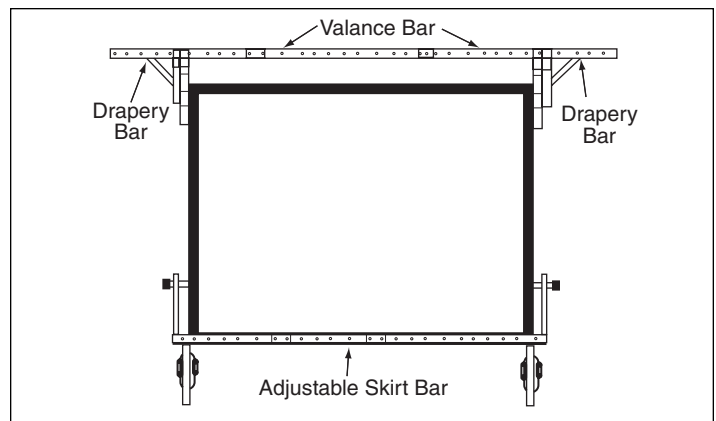
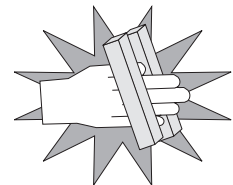


Caution: Make sure screen is placed on level surface.

- short Handy Cranks. Turn Top frame so snaps face up.
- ⑥ Join Top and Bottom to Stage Right and Stage Left, using two Handy Cranks on each of the four corners. Match numbers on white labels, and keep in mind that no Handy Crank should protrude outside screen frame.
- ⑦ Remove surface from pouch. With the row of male snaps at bottom, position screen surface over frame. Snap each of the four corners, then snap across bottom, up sides, and across top.
- ⑧ Attach feet to inner side of legs with Handy Cranks, matching color-coded markings. Attach legs to Stage Right and Stage Left with Handy Cranks, matching colored tapes.
- ⑨ Raise screen to a vertical position. Add Heavy-Duty Legs and Anti-Sway Stabilizers with Handy Cranks in the positions indicated below.



Caution: Beware of pinch points.



Dress-Up Kit Assembly

PLEASE NOTE: All components are labeled and color coded to facilitate assembly.

- A. Valance Bar attaches to frame with simple bayonet-style mounting.
- B. Draper Bars mount to Valance Bar, bayonet-style.
- C. Optional adjustable Skirt Bar is secured to frame at desired level with positive-locking plunger mechanism. If Skirt Bar is not used, Skirt may be snapped to bottom of viewing surface.
- D. Valance, Drapes, and Skirt snap onto Mounting Bars.

DRAPER®

411 S. Pearl St., Spiceland, IN 47385 USA ■ 765-987-7999
www.draperinc.com ■ fax 765-987-7142

Copyright © 2008 Draper Inc. Form Cinefold_Inst08 Printed in U.S.A.

Download from Www.Somanuals.com. All Manuals Search And Download.

Free Manuals Download Website

<http://myh66.com>

<http://usermanuals.us>

<http://www.somanuals.com>

<http://www.4manuals.cc>

<http://www.manual-lib.com>

<http://www.404manual.com>

<http://www.luxmanual.com>

<http://aubethermostatmanual.com>

Golf course search by state

<http://golfingnear.com>

Email search by domain

<http://emailbydomain.com>

Auto manuals search

<http://auto.somanuals.com>

TV manuals search

<http://tv.somanuals.com>