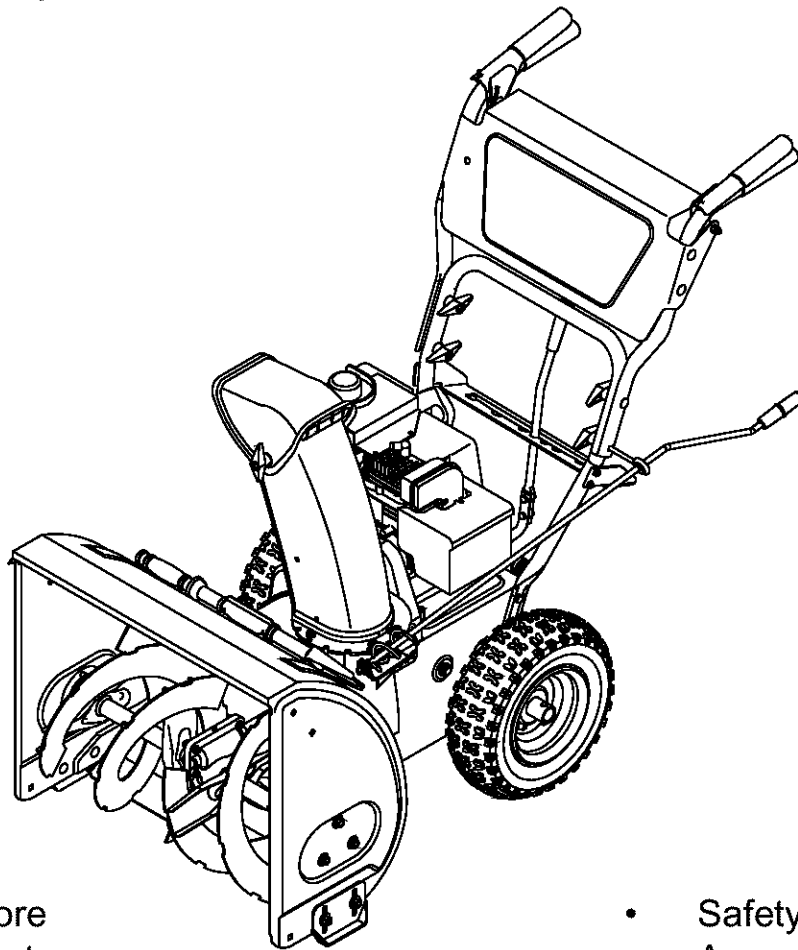


# Owner's Manual



5 Horse Power  
24" Two-Stage  
**Snow Thrower**

Model No.  
**247.886640**



**CAUTION:** Before using this product, read this manual and follow all safety rules and operating instructions.

- Safety
- Assembly
- Operation
- Service
- Maintenance
- Español, p. 30

**Sears, Roebuck And Co., Hoffman Estates, IL 60179, U.S.A.**

Visit our website: [www.sears.com/craftsman](http://www.sears.com/craftsman)

PRINTED IN U.S.A.

FORM NO.770-10433F  
(7/2003)

# TABLE OF CONTENTS

Content	Page	Content	Page
Warranty Information .....	2	Service & Adjustment.....	14
Safe Operation Practices .....	3	Off-Season Storage .....	17
Assembly .....	5	Troubleshooting .....	18
Operation .....	8	Parts List.....	20
Maintenance .....	11	Espanol.....	30

## WARRANTY INFORMATION

### Two -Year Warranty on Craftsman Snow Thrower

For two years from the date of purchase, when this Craftsman Snow Thrower is maintained, lubricated and tuned up according to the instructions in the owner's manual, Sears will repair, free of charge, any defect in material and workmanship.

If this Craftsman snow thrower is used for commercial or rental purposes, this warranty applies for only 30 days from the date of purchase.

**This warranty does not cover:**

Expendable items which become worn during normal use, such as skid shoes, shave plate and spark plugs.

Repairs necessary because of operator abuse or negligence, including bent crankshafts and the failure to maintain the equipment according to the instructions contained in the owner's manual.

WARRANTY SERVICE IS AVAILABLE BY RETURNING THE CRAFTSMAN SNOW THROWER TO THE NEAREST SEARS PARTS & REPAIR CENTER IN THE UNITED STATES.

**This warranty applies only while this product is in use in the United States.**

This warranty gives you specific legal rights and you may also have other rights which may vary from state to state.

SEARS, ROEBUCK AND CO., D/817WA, HOFFMAN ESTATES, IL 60179

### Repair Protection Agreements

Congratulations on making a smart purchase. Your new Craftsman® product is designed and manufactured for years of dependable operation. But like all products, it may require repair from time to time. That's when having a Repair Protection Agreement can save you money and aggravation.

Here's what's included in the Agreement:

- ✓ **Expert service** by our 12,000 professional repair specialists
- ✓ **Unlimited service and no charge** for parts and labor on all covered repairs
- ✓ **Product replacement** if your covered product can't be fixed
- ✓ **Discount** of 10% from regular price of service and service-related parts not covered by the agreement; also, 10% off regular price of preventive maintenance check
- ✓ **Fast help by phone** – phone support from a Sears technician on products requiring in-home repair, plus convenient repair scheduling

Purchase a Repair Protection Agreement now and protect yourself from unexpected hassle and expense.

Once you purchase the Agreement, a simple phone call is all that it takes for you to schedule service. You can call anytime day or night, or schedule a service appointment online. Sears has over 12,000 professional repair specialists, who have access to over 4.5 million quality parts and accessories. That's the kind of professionalism you can count on to help prolong the life of your new purchase for years to come. Purchase your Repair Protection Agreement today!

Some limitations and exclusions apply. For prices and additional information call 1-800-827-6655.

**Sears Installation Service**

For Sears professional installation of home appliances, garage door openers, water heaters, and other major home items, in the U.S.A. call 1-800-4-MY-HOME®.

## PRODUCT SPECIFICATIONS

Horsepower: 5  
 Engine Oil: **SAE 5W30**  
 Fuel: **Unleaded Regular**  
 Spark Plug: **RJ19LM**  
 Engine: **Craftsman Engine Model 143.045001**

## MODEL NUMBER

Model Number  
 Serial Number.....  
 Date of Purchase .....

Record both serial number and date of purchase and keep in a safe place for future reference.

# IMPORTANT SAFE OPERATION PRACTICES



**WARNING:** This symbol points out important safety instructions which, if not followed, could endanger the personal safety and/or property of yourself and others. Read and follow all instructions in this manual before attempting to operate this machine. Failure to comply with these instructions may result in personal injury. When you see this symbol—**heed its warning.**



**WARNING:** Engine Exhaust, some of its constituents, and certain vehicle components contain or emit chemicals known to State of California to cause cancer and birth defects or other reproductive harm.

**DANGER:** This machine was built to be operated according to the rules for safe operation in this manual. As with any type of power equipment, carelessness or error on the part of the operator can result in serious injury. This machine is capable of amputating hands and feet and throwing objects. Failure to observe the following safety instructions could result in serious injury or death.

## Training

1. Read, understand, and follow all instructions on the machine and in the manual(s) before attempting to assemble and operate. Keep this manual in a safe place for future and regular reference and for ordering replacement parts.
2. Be familiar with all controls and their operation. Know how to stop the machine and disengage controls.
3. Never allow children under 14 years old to operate this machine. Children 14 years old and over should read and understand the operation instructions and safety rules in this manual and should be trained and supervised by a parent.
4. Never allow adults to operate this machine without proper instruction.
5. Thrown objects can cause serious personal injury. Plan your snow-throwing pattern to avoid discharge of material toward roads, bystanders and the like.
6. Keep bystanders, helpers, pets and children at least 75 feet from the machine while it is in operation. Stop machine if anyone enters the area.
7. Exercise caution to avoid slipping or falling, especially when operating in reverse.
8. Let engine and machine adjust to outdoor temperature before starting to clear snow.
9. To avoid personal injury or property damage use extreme care in handling gasoline. Gasoline is extremely flammable and the vapors are explosive. Serious personal injury can occur when gasoline is spilled on yourself or your clothes, which can ignite. Wash your skin and change clothes immediately.
  - a. Use only an approved gasoline container.
  - b. Extinguish all cigarettes, cigars, pipes and other sources of ignition.
  - c. Never fuel machine indoors.
  - d. Never remove gas cap or add fuel while the engine is hot or running.
  - e. Allow engine to cool at least two minutes before refueling.
  - f. Never over fill fuel tank. Fill tank to no more than ½ inch below bottom of filler neck to provide space for fuel expansion.
  - g. Replace gasoline cap and tighten securely.
  - h. If gasoline is spilled, wipe it off the engine and equipment. Move machine to another area. Wait 5 minutes before starting the engine.
  - i. Never store the machine or fuel container inside where there is an open flame, spark or pilot light (e.g. furnace, water heater, space heater, clothes dryer etc.).
  - j. Allow unit to cool for 5 minutes before storing.

## Preparation

1. Thoroughly inspect the area where the equipment is to be used. Remove all doormats, newspapers, sleds, boards, wires and other foreign objects, which could be tripped over or thrown by the auger/impeller.
2. Always wear safety glasses or eye shields during operation and while performing an adjustment or repair to protect your eyes. Thrown objects which ricochet can cause serious injury to the eyes.
3. Do not operate without wearing adequate winter outer garments. Do not wear jewelry, long scarves or other loose clothing, which could become entangled in moving parts. Wear footwear which will improve footing on slippery surfaces.
4. Use a grounded three-wire extension cord and receptacle for all units with electric start engines.
5. Adjust collector housing height to clear gravel or crushed rock surfaces.
6. Disengage all clutch levers before starting the engine.
7. Never attempt to make any adjustments while engine is running, except where specifically recommended in the operator's manual.

## Operation

1. Do not put hands or feet near rotating parts, in the auger/impeller housing or discharge chute. Contact with the rotating parts can amputate hands and feet.
2. The auger/impeller clutch lever is a safety device. Never bypass its operation. Doing so makes the machine unsafe and may cause personal injury.
3. The clutch levers must operate easily in both directions and automatically return to the disengaged position when released.
4. Never operate with a missing or damaged discharge chute. Keep all safety devices in place and working.
5. Never run an engine indoors or in a poorly ventilated area. Engine exhaust contains carbon monoxide, an odorless and deadly gas.
6. Do not operate machine while under the influence of alcohol or drugs.

7. Muffler and engine become hot and can cause a burn. Do not touch.
8. Exercise extreme caution when operating on or crossing gravel surfaces. Stay alert for hidden hazards or traffic.
9. Exercise caution when changing direction and while operating on slopes.
10. Plan your snow-throwing pattern to avoid discharge towards windows, walls, cars etc. Thus, avoiding possible property damage or personal injury caused by a ricochet.
11. Never direct discharge at children, bystanders and pets or allow anyone in front of the machine.
12. Do not overload machine capacity by attempting to clear snow at too fast of a rate.
13. Never operate this machine without good visibility or light. Always be sure of your footing and keep a firm hold on the handles. Walk, never run.
14. Disengage power to the auger/impeller when transporting or not in use.
15. Never operate machine at high transport speeds on slippery surfaces. Look down and behind and use care when in reverse.
16. If the machine should start to vibrate abnormally, stop the engine, disconnect the spark plug wire and ground it against the engine. Inspect thoroughly for damage. Repair any damage before starting and operating.
17. Disengage all clutch levers and stop engine before you leave the operating position (behind the handles). Wait until the auger/impeller comes to a complete stop before unclogging the discharge chute, making any adjustments, or inspections.
18. Never put your hand in the discharge or collector openings. Always use the clean-out tool provided to unclog the discharge opening. Do not unclog discharge chute while engine is running. Before unclogging, shut off engine and remain behind handles until all moving parts have stopped completely.
19. Use only attachments and accessories approved by the manufacturer (e.g. wheel weights, tire chains, cabs etc.).
20. If situations occur which are not covered in this manual, use care and good judgment. Contact Sears service center for assistance.

## Maintenance & Storage

1. Never tamper with safety devices. Check their proper operation regularly. Refer to the maintenance and adjustment sections of this manual.
2. Before cleaning, repairing, or inspecting machine disengage all clutch levers and stop engine. Wait until the auger/impeller come to a complete stop. Disconnect the spark plug wire and ground against the engine to prevent unintended starting.
3. Check bolts and screws for proper tightness at frequent intervals to keep the machine in safe working condition. Also, visually inspect machine for any damage.
4. Do not change the engine governor setting or over-speed the engine. The governor controls the maximum safe operating speed of the engine.
5. Snow thrower shave plates and skid shoes are subject to wear and damage. For your safety protection, frequently check all components and replace with original

equipment manufacturer's (OEM) parts only. "Use of parts which do not meet the original equipment specifications may lead to improper performance and compromise safety!"

6. Check clutch controls periodically to verify they engage and disengage properly and adjust, if necessary. Refer to the adjustment section in this operator's manual for instructions.
7. Maintain/replace safety/instruction labels, as necessary.
8. Observe proper disposal laws and regulations for gas, oil, etc. to protect the environment.
9. Prior to storing, run machine a few minutes to clear snow from machine and prevent freeze up of auger/impeller.
10. Never store the machine or fuel container inside where there is an open flame, spark or pilot light such as a water heater, furnace, clothes dryer etc.
11. Always refer to the operator's manual for proper instructions on off-season storage.

## Your Responsibility

Restrict the use of this power machine to persons who read, understand and follow the warnings and instructions in this manual and on the machine. The safety labels are shown below for your reference.

### Do not modify engine

To avoid serious injury or death, do not modify engine in any way. Tampering with the governor setting can lead to a runaway engine and cause it to operate at unsafe speeds. Never tamper with factory setting of engine governor.

### Notice regarding emissions

Engines which are certified to comply with California and federal EPA emission regulations for SORE (Small Off Road Equipment) are certified to operate on regular unleaded gasoline, and may include the following emission control systems: Engine Modification (EM) and Three Way Catalyst (TWC) if so equipped.

### Engine Identification Decal

This decal indicates the engine's model number, specification and the date of manufacture. Please look at the decal on the engine of your equipment and record these information for future reference.

The engine identification decal also includes engine life specifications for the emissions-related useful life period of the engine. This period relates to the emission compliance life as certified by EPA and/or CARB. To find the life period specification of the engine, please read the engine decal and locate the letter (enclosed by quotation marks) between the words Moderate and Life Period. Match one of the following letters with the letter printed on your decal. For example, HSSK models are designated as:

"C" — 125 hours

"B" — 250 hours

"A" — 500 hours

# ASSEMBLY

## Unpacking

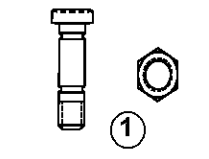
1. Remove screws from the top sides and ends of the shipping crate.
2. Set crate panels aside to avoid tire punctures or personal injury.
3. Remove and discard plastic bag that covers unit.
4. Remove any loose parts included with unit (i.e., Operator's Manual, etc).
5. Roll unit out of crate.

## Hardware Pack

Following items make up the hardware pack for your snow thrower:

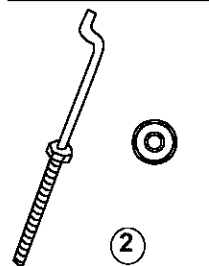
### 1. Shear bolts and lock nuts (2)

The augers are secured to the auger shaft with two shear bolts and hex lock nuts. If you hit a foreign object or ice jam, these bolts may shear. Two replacement shear bolts and lock nuts are provided for your convenience. Save these until needed.



### 2. Z fittings and hex nuts (2)

These four hardware pieces will be required in the assembly of the snow thrower. Identify the items and use as instructed.



Hardware not drawn to size here

## Setting Up The Snow Thrower

Your snow thrower was fully assembled at the factory and needs minimum set-up.

**NOTE:** All references in this manual to left, right, top or bottom is from the operating position only. Exceptions, if any, will be specified.

1. **Disconnect** spark plug wire and ground it against the engine to prevent unintended starting.
2. Remove hand knob A, cupped washer and carriage screw from the lower handle. See Figure 1. Save the hardware.
3. Loosen hand knobs B and C, shown in Figure 1, but do not remove from the unit.
4. Raise the handle assembly up following direction of the arrow in Figure 1. Make sure not to scrape the paint on the unit by the eyebolt when you flip the handle up.
5. Align the lower hole on each upper handle with the corresponding hole on the lower handle.

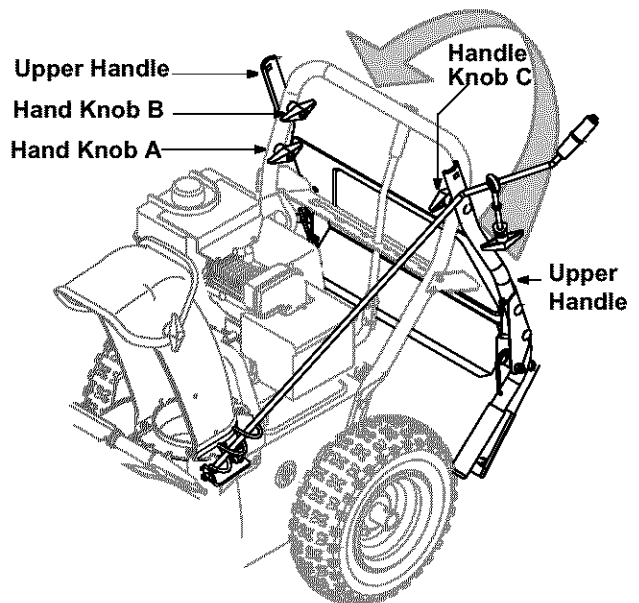


Figure 1

6. Secure the right upper handle to the lower handle with handle knob A and hardware removed in step 2. Do not tighten the knob.
7. Remove the hand knob on the eye bolt and pivot eye bolt in the direction shown in Figure 2. Insert the eye bolt into the lower hole of the left upper handle and the lower handle respectively. See Figure 2.
8. Place cupped washer, with the concave side against the handle, on the eye bolt and secure with the hand knob D. See Figure 2.

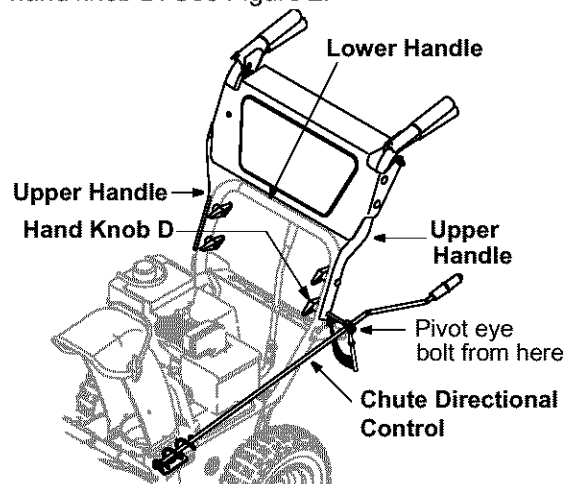


Figure 2

9. Tighten all four hand knobs now.

**NOTE:** Make sure that spiral on the chute directional control fully engages teeth on chute assembly. See Figure 3.

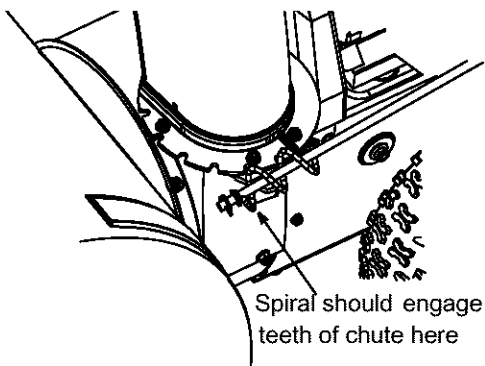


Figure 3

- Take a "Z" fitting from the hardware pack and insert the Z end into the hole on the left clutch grip on the handle panel. See Figure 4. Thread a hex nut from hardware pack on to the Z fitting.

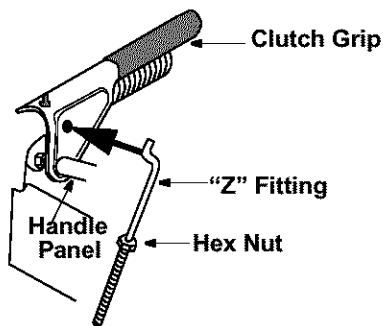


Figure 4

- Route the left cable between engine and speed selector plate and then between handle panel and clutch lever pivot rod. Make sure the cable is routed correctly in the cable roller guides located at the lower rear of the unit.
- Thread cable onto the left "Z" fitting.
- Assemble the right "Z" fitting on the right clutch grip and attach the right cable in the same manner. Both cables should have minimal slack, but not tight. Tighten or loosen hex nuts on "Z" fittings to adjust.

**IMPORTANT:** If the right lock-out cable is not adjusted, the wheels will tend to turn. If the left lock-out cable is not adjusted, the augers will keep on rotating.

**NOTE:** The drive clutch cable is routed over the axle.



**WARNING:** Do not over-tighten the clutch cables. Tension on either cable in the disengaged (up) position may override the safety features of the machine.

## Chute Clean-Out Tool

This tool and the electric extension cord are fastened with a cable tie to the rear of the auger housing for shipping purposes. Cut the cable tie and remove the electric cord before operating the snow thrower.

## Final Assembly & Adjustments

### Auger Control

- To check the adjustment of the auger control, push forward on the left hand clutch grip (depress the rubber bumper). There should be slack in the cable. Release the clutch grip. The cable should be straight. Make certain you can depress the auger control grip against the left handle completely.
- If necessary, loosen the hex lock nut and thread the cable in (for less slack) or out (for more slack) as necessary. Refer to Figure 4.
- Tighten the lock nut against the cable when correct adjustment is reached.

### Traction Control & Shift Lever

- To check the adjustment of the traction control and shift lever, move the shift lever all the way to the right to fifth (5) position. With the traction control released, push the snow thrower forward. The unit should move forward freely. Then engage the traction control grip. The wheels should not turn.
- Now release the traction control grip, and push the unit again. Move the shift lever back to the fast reverse position, then all the way forward again. There should be no resistance in the shift lever, and the wheels should keep turning.
- If you feel resistance when moving the shift lever or the wheels stop when they should not, loosen the jam nut on the traction control cable and unthread the cable one turn.
- If the wheels do not stop when you engage the traction control grip, loosen jam nut on the traction control cable and thread the cable in one turn.
- Recheck the adjustment and repeat as necessary. Tighten the jam nut to secure the cable when correct adjustment is reached.

**NOTE:** For more details, refer to the Adjustment section on page 16.

### Skid Shoes

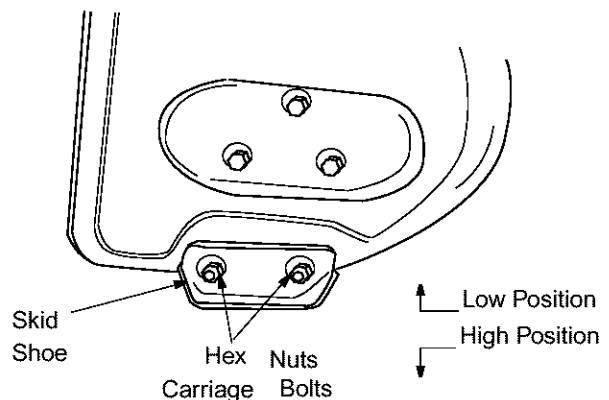


Figure 5

1. Locate the shave plate in Figure 6. The space between this shave plate and ground can be adjusted.
2. For close snow removal on smooth surface, raise skid shoes higher . See Figure 5.
3. Place skid shoes in middle or lower position when the area to be cleared is uneven. See Figure 5.
4. Adjust skid shoes by loosening the four hex nuts and carriage bolts as shown in Figure 5. Move skid shoes to desired position.
5. Make certain the entire bottom surface of skid shoe is against the ground to avoid uneven wear on the skid shoes. Retighten nuts and bolts securely.

## Tire Pressure

The tires are overinflated for shipping purposes.

1. Check tire pressure. Maintain pressure between 15 to 20 psi. Refer to tire sidewalls for recommended tire pressure.

**NOTE:** *If the tire pressure is not equal in both tires, the unit may pull to one side or the other.*



**WARNING:** Maximum tire pressure under any circumstance is 20 psi. Equal tire pressure should be maintained at all times. Excessive pressure (over 20 psi) when seating beads may cause tire/rim assembly to burst with force sufficient to cause serious injury.

# OPERATION

## Operating Controls

Be familiar with all the controls and their proper operation. See Figure 6 and follow descriptions given below. Know how to stop the machine and disengage them quickly.

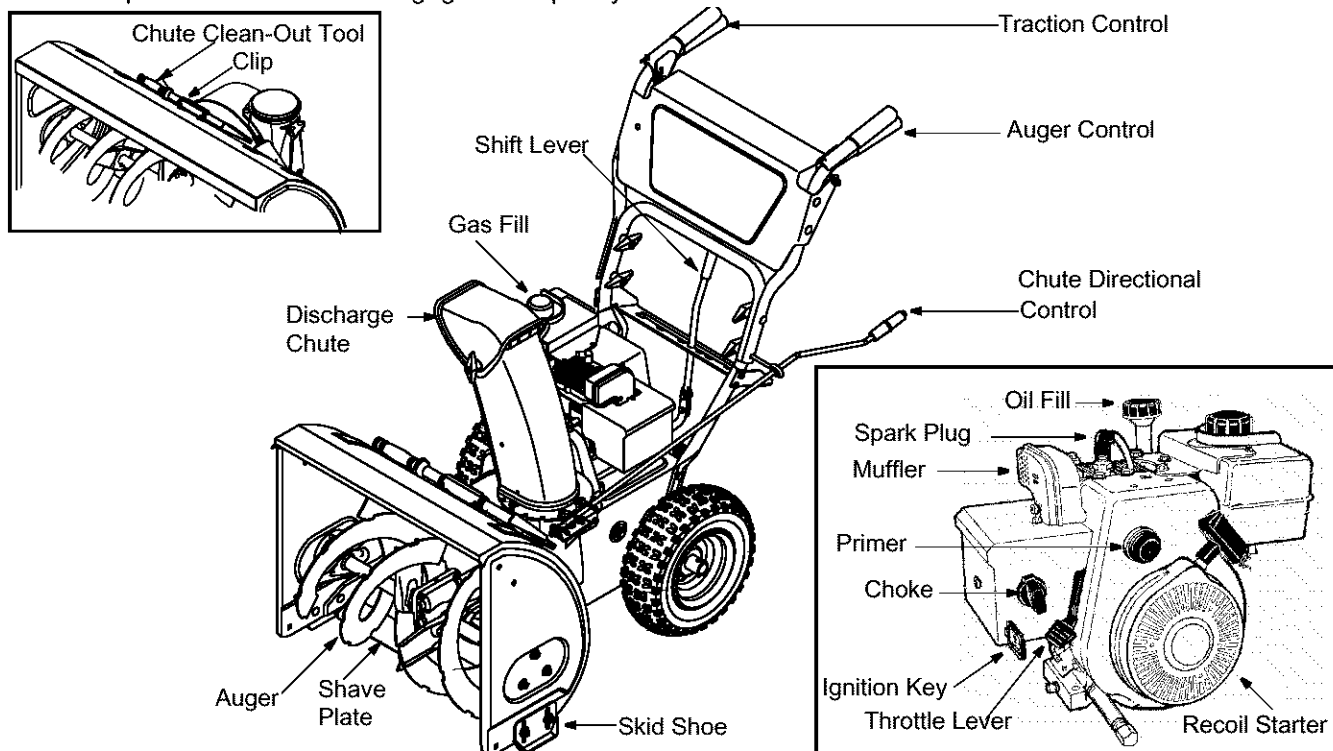


Figure 6

### Shift Lever

The shift lever is located below the handle panel and should be used to determine ground speed. There are five forward and two reverse speeds on this unit — position one (1) is the slowest and position five (5) is the fastest; among reverse speeds, R2 is faster.

### Auger Control

The auger control is located on the left handle. Squeeze the auger control grip to engage the augers. Release to stop the augers.

### Traction Control

The traction control is located on the right handle. Squeeze the traction control grip to engage the wheel drive. Release to stop.

### Chute Directional Control

The chute directional control is located on left side of the snow thrower. To change the direction in which snow is thrown, turn chute directional control as follows:

- Crank clockwise to discharge to the left.
- Crank counterclockwise to discharge to the right.

### Throttle Control

The throttle control is located on the engine. It regulates the speed of the engine.

### Ignition Key

The ignition key must be inserted in the switch to start the unit. Remove the ignition key when snow thrower is not in use. Do **not** turn ignition key.

### Chute Clean-Out Tool

The chute clean-out tool is designed to clear a clogged discharge chute. Refer to page 10 for instructions on how to properly use it.



**WARNING:** Never use your hand to clear a clogged discharge chute. Shut off engine and remain behind handles until all moving parts have stopped before unclogging.

### To Stop Engine

Move throttle control to “stop” or “off” position; remove ignition key and disconnect spark plug.



## Before Starting



**WARNING:** Read, understand, and follow all instructions and warnings on the machine and in this manual before operating.

### Fill Oil

1. The engine was shipped with oil. Check the oil level before operating. After the initial use, you will have to fill up as necessary. Be careful not to overfill.
2. **Before filling up gas** in the engine for the first time, open the gas tank cap, and locate a white plastic cap underneath. Remove this cap and discard it.
3. The spark plug wire was disconnected for safety. Attach spark plug wire to spark plug before starting.

### Fill Gas



**WARNING:** Gasoline is flammable and caution must be used when handling or storing it. Do not fill fuel tank while the snow thrower is running, when it is hot or when it is in an enclosed area. Keep your snow thrower away from any open flame or an electrical spark and do not smoke while filling the fuel tank.

**NOTE:** Make sure that the container from which you pour gasoline is clean and rust-free .

1. Fill fuel tank with clean, fresh, unleaded grade automotive gasoline only.
2. Never fill fuel tank completely. Fill the tank to within 1/4"-1/2" from the top to provide for fuel expansion.
3. Always fill fuel tank outdoors and use a funnel or spout to prevent spilling.
4. Make sure to wipe off any spilled fuel before starting the engine.
5. Store gasoline in a clean, approved container and keep the cap in place on the container.

## To Start Engine

1. Attach spark plug wire to spark plug. Make certain the metal loop on the end of the spark plug wire (inside the boot) is fastened securely over the metal tip on the spark plug.
2. Make certain the auger and drive clutch levers are in the disengaged (released) position.
3. Turn fuel valve counter-clockwise to OPEN.
4. Move throttle control up to FAST position. Insert ignition key into slot. Make sure it snaps into place.

**Do not turn key.**

**NOTE:** Engine will not start unless ignition key is inserted into ignition slot in carburetor cover.

## Electric Starter



**WARNING:** The electric starter is equipped with a grounded three-wire power cord and plug, and is designed to operate on 120 volt AC household current. It must be used with a properly grounded three-prong receptacle at all times to avoid the possibility of electric shock. Follow all instructions carefully prior to operating the electric starter.

1. Determine that your house wiring is a three-wire grounded system. Ask a licensed electrician if you are not certain.
  - **If your house wiring system is not a three-wire grounded system**, do not use this electric starter under any conditions.
  - **If your home electrical system is grounded**, but a three-hole receptacle is not available, one should be installed by a licensed electrician before using the electric starter.
2. Rotate choke knob to OFF position.
3. Push primer three times to prime the engine.
4. Connect power cord to switch box on engine. Plug the other end of power cord into a three-prong 120-volt, grounded, AC receptacle.
5. Push starter button to crank engine. As you crank the engine, move choke knob to FULL choke position. Do not operate electric stater for more than 5 seconds on each attempt.
6. When engine starts, release starter button, and move choke gradually to OFF. If engine falters, move choke immediately to FULL and then gradually to OFF.
7. When disconnecting the power cord, always unplug from the three-prong receptacle first, and then from the snow thrower.

## Recoil Starter

1. Rotate choke knob to FULL choke position (cold engine start).
2. If engine is warm, place choke in OFF position instead of FULL.
3. Push primer button two or three times for cold engine start.
4. If engine is warm, push primer button only once.

**NOTE:** Always cover vent hole in primer button when pushing. Additional priming may be necessary for first start if temperature is below 15 degrees Fahrenheit.

- Grasp starter handle and pull rope out slowly, until it pulls slightly harder. Let rope rewind slowly.
- Pull starter handle rapidly. Do not allow handle to snap back. Allow it to rewind slowly while keeping a firm hold on the starter handle.
- As engine warms up and begins to operate evenly, rotate choke knob slowly to OFF position. If engine falters, return to FULL choke, then slowly move to OFF position.

## Frozen Recoil Starter

If the starter is frozen and will not turn the engine, proceed as follows:

1. Pull as much rope out of the starter as possible.
2. Release the starter handle and let it snap back against the starter.
3. If the engine still fails to start, repeat the first two steps. If continued attempts do not free starter, follow the electric starter procedures to start.
4. Avoid freezing of the recoil starter by following instructions below.

## Before Stopping

1. Run engine for a few minutes to help dry off any moisture on engine.
2. Avoid freezing of the starter by following these steps **before** stopping the snow thrower:

### Recoil Starter

- a. With the engine running, pull the starter rope with a rapid, continuous full arm stroke three or four times.

### Electric Starter

- a. Connect power cord to switch box, then to 120 Volt AC receptacle.
- b. While engine is running, push starter button and spin the starter for several seconds.
- c. Disconnect power cord from the receptacle first, then from the snow thrower.

**NOTE:** *The unusual sound from pulling the starter rope in the case of the recoil starter, or from spinning the starter in the case of the electric starter, will not harm the engine.*

## To Stop Engine

1. Move throttle control to "stop" or "off" position.
2. Remove the ignition key. Do **not** turn key.
3. Disconnect the spark plug wire from the spark plug to prevent accidental starting while equipment is unattended.

**NOTE:** *Do not lose ignition key. Keep it in a safe place. Engine will not start without the ignition key.*

4. Wipe all snow and moisture from the carburetor cover in the area of the control levers. Also, move control levers back and forth several times.

## To Engage Drive

1. With the engine running near top speed, move shift lever into one of the five FORWARD positions or two REVERSE positions. Select a speed appropriate for the snow conditions that exist. Use the slower speeds until you are familiar with the operation of the snow thrower.

2. Squeeze the auger control grip and the augers will turn. Release it and the augers will stop.
3. Squeeze traction control grip and the snow thrower will move. Release it and drive motion will stop.
4. NEVER move shift lever without releasing drive clutch.

## To Engage Augers

To engage the augers and start throwing snow, squeeze the auger control grip against the left handle. Release to stop the augers.

## Operating Tips

- Allow the engine to warm up for a few minutes as the engine will not develop full power until it reaches operating temperature.



**WARNING:** Muffler, engine and surrounding areas become hot and can cause a burn. Do not touch.

- For most efficient snow removal, remove snow immediately after it falls.
- Discharge snow downwind whenever possible. Slightly overlap each previous swath.
- Set the skid shoes 1/4" below the scraper bar for normal usage. The skid shoes may be adjusted upward for hard-packed snow. Adjust downward when using on gravel or crushed rock.
- Be certain to follow the precautions listed under "To Stop Engine" to prevent possible freeze-up.
- Clean the snow thrower thoroughly after each use.

## Tire Chains (if equipped)

- Tire chains, if equipped, should be used whenever extra traction is needed.

## Chute Clean-Out Tool

The chute clean-out tool is conveniently fastened to the rear of the auger housing with a mounting clip. **Never** use your hand to clean a clogged chute.

1. Release both the auger control lever and the traction/auger control lock lever.
2. Stop the engine by removing the ignition key.
3. Remove the clean-out tool from the clip which secures it to the rear of the auger housing. See Figure 6.
4. Use the shovel-shaped end of the clean-out tool to remove any snow and ice in the discharge chute.
5. Re-fasten the clean-out tool to the mounting clip on the rear of the auger housing and restart engine.
6. While standing in the operator's position (behind the snow thrower), engage the auger clutch lever for a few seconds to clear any remaining snow or ice from the discharge chute before continuing to clear snow.

# MAINTENANCE

## General Recommendations

- Always observe safety rules when performing any maintenance.
- The warranty on this snow thrower does not cover items that have been subjected to operator abuse or negligence. To receive full value from the warranty, operator must maintain the snow thrower as instructed in this manual.
- Follow the maintenance schedule given below.

- Periodically check all fasteners and make sure these are tight.



**WARNING:** Before lubricating, repairing, or inspecting, disengage all clutch levers and stop engine. Wait until all moving parts have come to a complete stop. Disconnect spark plug wire and ground it against the engine to prevent unintended starting.

Maintenance Schedule							
Maint. Tasks	Before each use	After each use	After first 2 hours operation	Every 25 hours operation	Every 50 hours operation	Before storage	Service Dates
<b>Product:</b> Lubricate pivot points						✓	
Clean equipment		✓					
Clean skid shoe		✓					
Check V belts					✓		
<b>Engine:</b> Check engine oil	✓						
Change engine oil			✓	✓			
Check spark plug					✓	✓	
Check muffler					✓		
Empty fuel system						✓	

## Lubrication

- **Wheels:** Oil or spray lubricant into bearings at wheels at least once a season. Pull klik pin, remove wheels, clean and coat axles with a multipurpose automotive grease. See Figure 7.

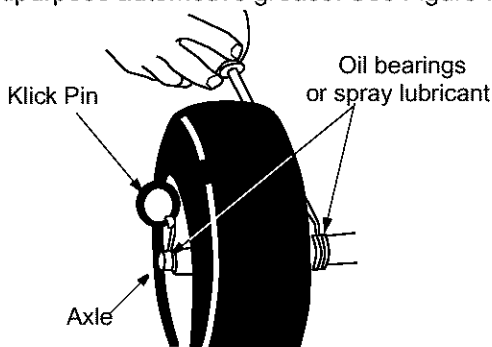


Figure 7

- **Gear Shaft:** Lubricate the gear shaft with a good all-weather multi-purpose light grease at least once a season or after every 25 hours of operation. Keep all grease and oil off the friction wheel and drive plate.

**IMPORTANT:** When lubricating engine or draining oil, avoid spillage onto transmission parts.

- **Gear Case:** The worm gear case has been filled with grease at the factory. If disassembled for any reason, lubricate with 2 ounces of shell grease.

**IMPORTANT:** Do not overfill the gear case. Damage to the seals could result. Be sure the vent plug is free of grease in order to relieve pressure.

- **Drive and Shifting Mechanism:** Remove rear cover. Oil any chains, sprockets, gears, bearings, shafts, and shifting mechanism at least once a season. See Figure 8. Use engine oil or a spray

lubricant. Avoid oil spillage on rubber friction wheel and aluminum drive plate.

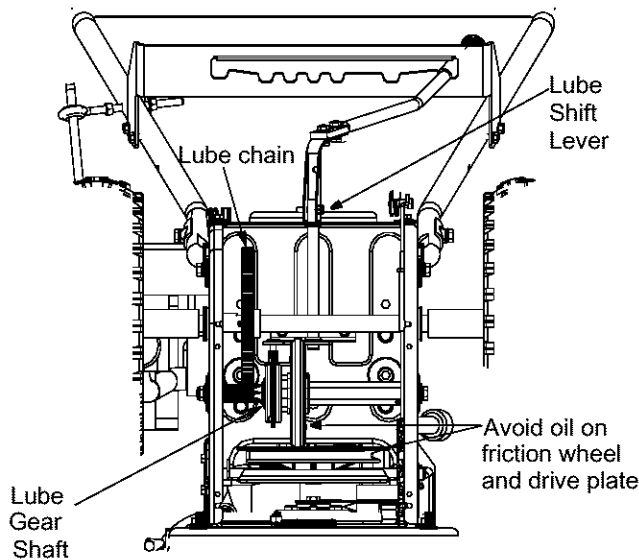


Figure 8

- **Chute Directional Control:** The worm gear on the chute control should be lubricated with multi-purpose automotive grease.
- **Auger Shaft:** At least once a season, remove shear bolts on auger shaft. Oil or spray lubricant inside shaft and lubricate the auger bearings. See Figure 9.

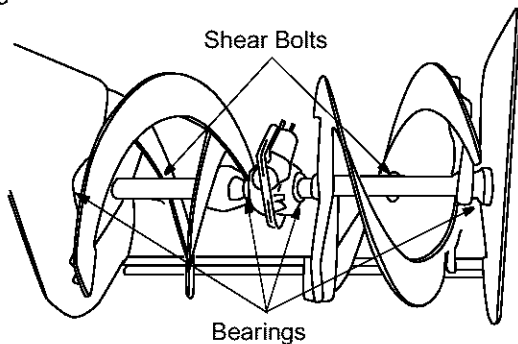


Figure 9

## Engine Maintenance

### Engine Oil

Only use high quality detergent oil rated with API service classification SF, SG or SH. Select the oil's SAE viscosity grade according to the expected operating temperature:

Oil Type	Temperature	Recommended Oil
Straight Grade	Above 32°F	SAE 30W
Multi Grade	0°F to 32°F	SAE 5W30 or SAE 10W
Synthetic	Below 0°F	SAE 0W30

**NOTE:** Although multi-viscosity oils (5W30, 10W30 etc.) improve starting in cold weather, these multi-viscosity oils will result in increased oil consumption when used above 32°F. Check your snow thrower's engine oil level more frequently to avoid possible engine damage from running low on oil.

**IMPORTANT:** Refer to the viscosity chart for proper selection of engine oil. Do not use SAE 10W40 oil.

### Checking Oil Level

1. Before operating the snow thrower, check the oil level. With engine on level ground, the oil must be to FULL mark on dipstick.
2. Stop engine and wait several minutes before checking oil level. Remove oil fill cap and dipstick.
3. Wipe dipstick clean, insert it into oil fill hole and tighten securely.
4. Remove dipstick and check. If oil is not up to the FULL mark on dipstick, add oil.

### Changing Oil

Change engine oil after first two hours of operation and every 25 hours thereafter.

In order to change the oil, you will have to first drain the spent engine oil from the engine and then refill with fresh oil.

1. Drain oil while engine is warm. Remove oil drain cap located at the bottom of the recoil starter of the engine. Catch oil in a suitable container.
2. When engine is drained of all oil, replace drain plug securely.
3. Remove the dipstick from the oil fill. Pour fresh oil slowly through the plug. Replace dipstick.
4. Check and make sure that the level of oil is up to the FULL mark on the dipstick. The oil sump capacity is 21 ounces or 0.62 liters.



**WARNING:** Temperature of muffler and its nearby areas may exceed 150° F(65°C). Avoid these areas.

### Spark Plug

Clean the spark plug and reset the gap to 0.030" at least once a season or every 100 hours of operation. See Figure 10 . Replace if necessary.

1. Clean area around the spark plug base.
2. Remove and inspect the spark plug.
3. Replace the spark plug if electrodes are pitted, burned, or the porcelain is cracked. See Figure 10 .
4. For replacement, use Champion J-8C, Autolite 356 or equivalent spark plug.

**NOTE:** Do not sandblast spark plug. Spark plug should be cleaned by scraping or wire brushing and washing with a commercial solvent.

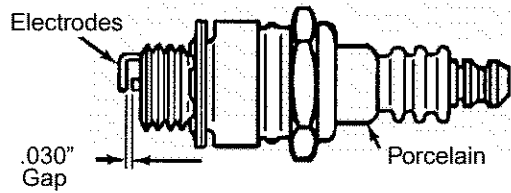


Figure 10

## Tire Pressure

Maintain equal pressure on both tires. For more details on this, follow instructions on page 7.

## Check V-Belts

Follow instructions below to check the condition of the drive belts every 50 hours of operation.

1. Remove the plastic belt cover on the front of the engine by removing two self-tapping screws.

2. Visually inspect for frayed, cracked, or excessively worn out belts.

## Check Friction Wheel

Follow instructions below to check the condition of the friction wheel rubber every 25 hours of operation.

1. Remove the six self-tapping screws from the frame cover underneath the snow thrower.
2. Visually inspect the friction wheel rubber for excessive wear, cracks, or loose fit on the friction wheel drive hub.
3. Also engage the traction control and check if the friction wheel is making contact with friction plate. If it does not make contact, adjust the traction drive cable and recheck the friction wheel.
4. Replace friction wheel rubber if necessary. Refer to instructions on page 15.
5. Re-attach the frame cover to the snow thrower with the hardware removed earlier.

# SERVICE & ADJUSTMENTS



**WARNING:** Before servicing, repairing, or inspecting, disengage all clutch levers and stop engine. Wait until all moving parts have come to a complete stop. Disconnect spark plug wire and ground it against the engine to prevent unintended starting.

- All adjustments in the Service and Adjustments section of this manual should be checked at least once each season.

## Servicing Augers

The augers are secured to the spiral shaft with two shear bolts and hex lock nuts. See Figure 9. If you hit a hard foreign object or ice jam, the snow thrower is designed so that the bolts may shear.

1. If the augers will not turn, check to see if the bolts have sheared.
2. Replace as needed. Replacement shear bolts and hex lock nuts have been provided with the snow thrower. When replacing bolts, spray an oil lubricant into shaft before inserting new bolts.

## Shave Plate and Skid Shoes

The shave plate and skid shoes on the bottom of the snow thrower are subject to wear. They should be checked periodically and replaced when necessary.

1. To remove skid shoes, remove the four carriage bolts, cupped washers and hex nuts which attach them to the snow thrower.
2. Reassemble new skid shoes with the four carriage bolts, cupped washers (cupped side goes against skid shoes) and hex nuts. See Figure 11.

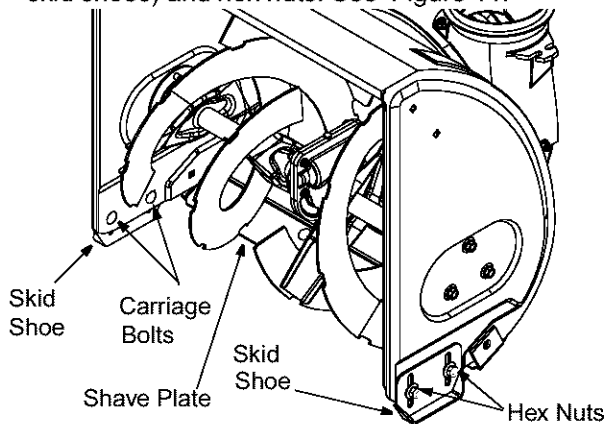


Figure 11

3. To remove shave plate, remove the carriage bolts, cupped washers and hex nuts which attach it to the snow thrower housing. See Figure 11. Reassemble new shave plate, making sure heads of carriage

bolts are to the inside of housing. Tighten securely.

## Replacing Belts



**WARNING:** Disconnect spark plug wire and ground it against the engine to prevent unintended starting. Drain fuel into an approved container or place a piece of plastic film underneath the gas cap to prevent gasoline from leaking.

## Auger Belt

1. Remove plastic belt cover from front of the engine by removing the two self-tapping screws. See Figure 12.

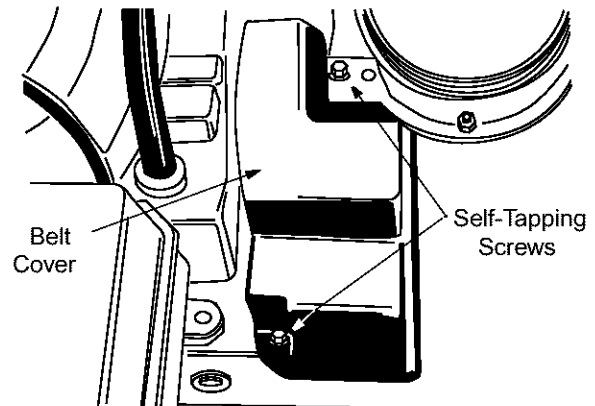


Figure 12

2. Drain gasoline from the snow thrower, or place a piece of plastic under the gas cap. Tip the unit up and forward so that it rests on auger housing.
3. Remove six self-tapping screws from the frame cover underneath the snow thrower.
4. Roll auger belt off engine pulley. See Figure 13.

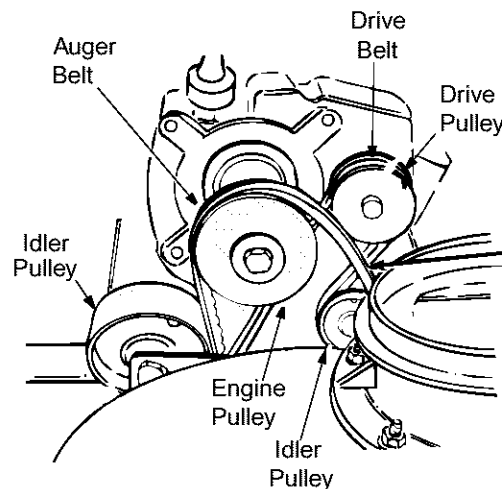


Figure 13

- Unhook the idler spring from the hex bolt on the auger housing. See Figure 14.
- Unhook the support bracket spring from the frame.

**NOTE:** It may be necessary to loosen the six nuts that connect frame to auger housing to aid in belt removal.

- Lift the auger belt from the auger pulley, and slip belt between the support bracket and the auger pulley. See Figure 13.
- Reassemble with new auger drive belt.

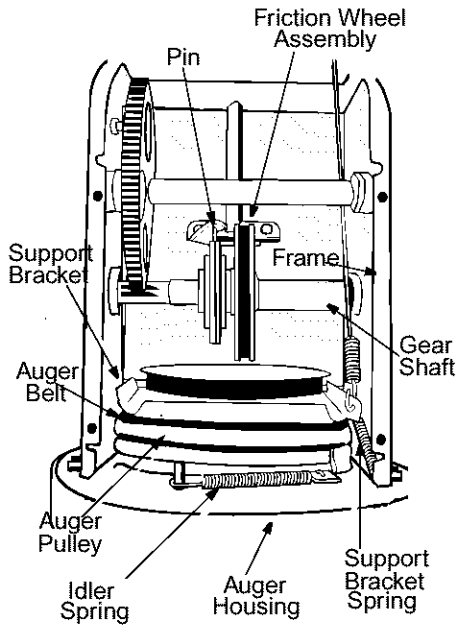


Figure 14

## Drive Belt

- Follow first four steps of previous instructions.
- Pull idler pulley up, and lift belt off engine pulley and friction wheel disc. See Figure 13.
- Using a wrench, loosen the nut on the stop bolt until the support bracket rests on the auger pulley. See Figure 15.

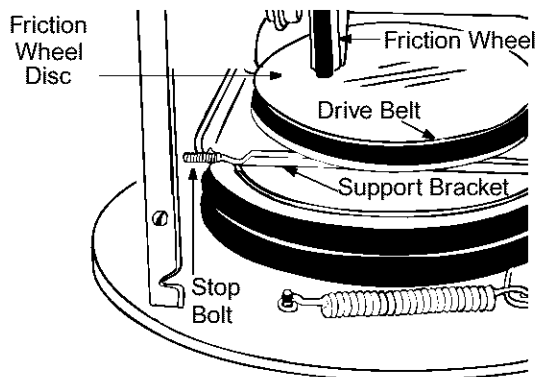


Figure 15

- Slip belt between friction wheel and friction wheel disc. See Figure 15. Remove and replace belt. Reassemble in reverse order.

**NOTE:** The support bracket must rest on the stop bolt after the new belt has been assembled. See Figure 15.

## Friction Wheel Rubber

- Replace the friction wheel rubber if any signs of wear or cracking are found.



**WARNING:** Disconnect spark plug wire and ground it against engine to prevent unintended starting. Drain fuel into an approved container or place a piece of plastic film underneath the gas cap to prevent gasoline from leaking.

- Tip the snow thrower up and forward, so that it rests on the housing. See Figure 17. Remove the six self-tapping screws from the frame cover underneath the snow thrower.
- Remove the klick pins which secure the wheels, and remove the wheels from the axle.
- Using a wrench to hold the shaft, loosen, but do not completely remove, the hex nut and bell washer on the left end of gear shaft.
- Lightly tap the hex nut to dislodge the ball bearing from the right side of the frame. Remove the hex nut and bell washer from the left end of the shaft.
- Slide the gear shaft to the right, then slide the friction wheel assembly from the shaft.
- Remove the four screws from the friction wheel assembly shown in Figure 16. Remove the friction wheel rubber from between the friction wheel plate.
- Reassemble new friction wheel rubber to the friction wheel assembly, tightening the screws in rotation and with equal force.
- Slide friction wheel assembly back onto the gear shaft. Be sure to align the pin on the shift rod with hole in the friction wheel assembly. See Figure 14.
- Reassemble gear shaft and the wheels. Reattach the frame cover. Flip snow thrower back to its operating position and remove any plastic from under the machine or around the gas cap if you had put it earlier.

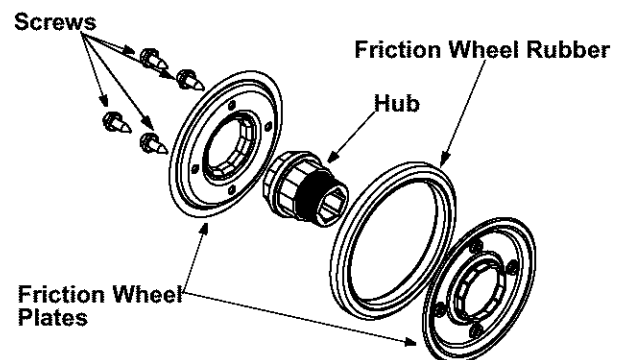
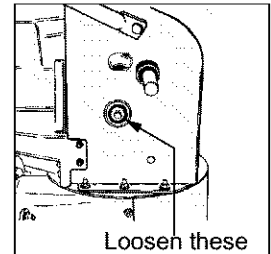


Figure 16

# Making Adjustments



**WARNING:** Never attempt to make any adjustments while the engine is running, except where specified in operator's manual.

## Chute Assembly

The distance snow is thrown can be controlled by adjusting the angle of the top section of the chute assembly.

## Skid Shoe

The space between the shave plate and the ground can be adjusted. Refer to the Final Assembly and Adjustments section on page 6.

## Traction Control

1. Drain gasoline and engine oil from the snow thrower. Place plastic film under the gas cap if the snow thrower has already been operated. Tip the snow thrower so that it rests on the auger housing. See Figure 17.

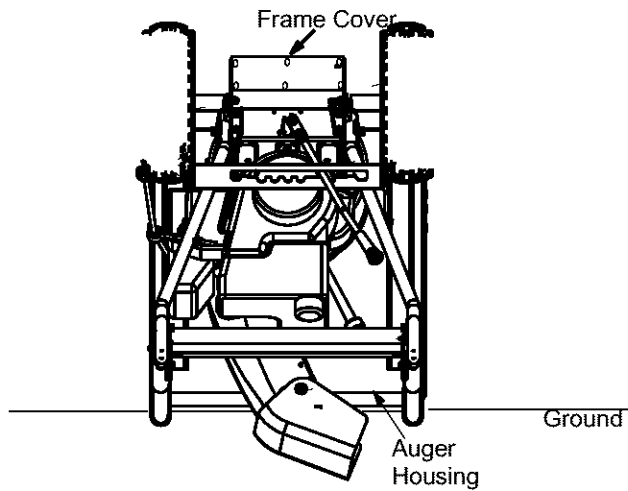


Figure 17

2. Remove the frame cover underneath the snow thrower by removing six self-tapping screws. For location of the frame cover, see Figure 17.
3. When the traction control is released, there must be clearance between the friction wheel and the drive plate in all positions of the shift lever. When the traction control is engaged, the friction wheel must contact the drive plate. See Figure 18.
4. If any one of these are not occurring, adjustment is necessary. Follow the steps below to adjust the traction control.
5. Loosen the lock nut on the traction control cable and thread the cable in or out as necessary.

Tighten the lock nut to secure the cable when correct adjustment is reached. Reassemble the frame cover.

6. If you placed plastic under the gas cap earlier, remove it now.

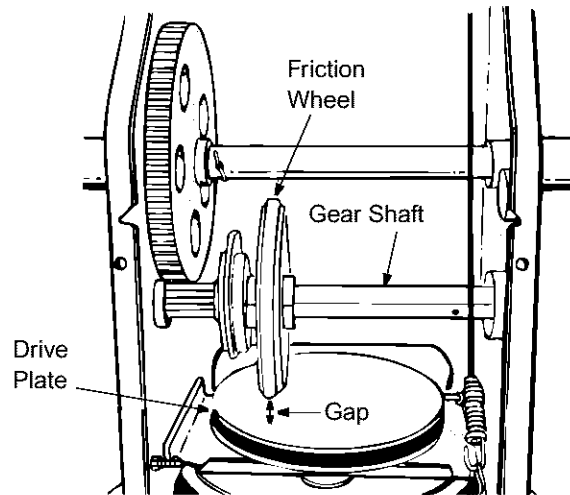


Figure 18

## Auger Control

To adjust the auger clutch, refer to Final Assembly and Adjustments on page 6.

## Drive Wheels

The wheels may be adjusted for two different methods of operation. Follow the steps below for adjustment. See Figure 19.

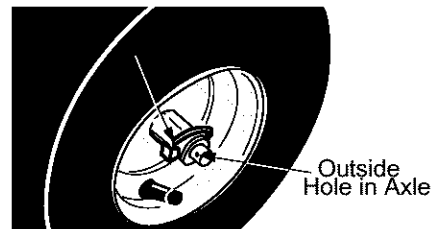


Figure 19

### One Wheel Driving

1. On the right side of the unit, place click pin in the outside axle hole only. Do not place pin through wheel hub. This position gives power drive to the left wheel only, making the unit easier to maneuver.

### Both Wheels Driving

2. Rotate wheel assembly to align hole in the hub with the inner hole on the axle shaft. Insert click pin in the hole. Outer axle shaft hole should be visible. See Figure 19.



## OFF-SEASON STORAGE

If the snow thrower will not be used for 30 days or longer, or at the end of the snow season when the last possibility of snow is gone, the equipment needs to be stored properly.



**WARNING:** Never store snow thrower with fuel in tank indoors or in poorly ventilated areas, where fuel fumes may reach an open flame, spark or pilot light as on a furnace, water heater, clothes dryer or gas appliance.

1. Remove all gasoline from the carburetor and the fuel tank to prevent gum deposits from forming on these parts and harming the engine.

**IMPORTANT:** Fuel left in engine during warm weather deteriorates and will cause serious starting problems.

**NOTE:** Fuel stabilizer (such as STA-BIL) is an acceptable alternative in minimizing the formation of fuel gum deposits during storage. Add stabilizer to gasoline in fuel tank or storage container. Always follow mix ratio found on stabilizer container. Run engine at least 10 minutes after adding stabilizer to allow it to reach the carburetor. Do not drain carburetor if using fuel stabilizer.



**WARNING:** Drain fuel into approved container outdoors, away from any open flame. Be certain engine is cool. Do not smoke.

2. Run the engine until the fuel tank is empty and it stops due to lack of fuel.

3. Drain carburetor by pressing upward on bowl drain, located below the carburetor cover. See Figure 20.

**IMPORTANT:** Do not drain carburetor if using fuel stabilizer. Never use engine or carburetor cleaning products in the fuel tank.

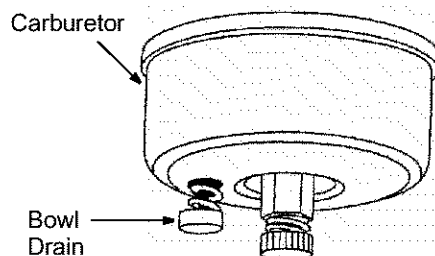


Figure 20

4. Remove the spark plug and pour one (1) ounce of engine oil through the spark plug hole into the cylinder. Cover spark plug hole with a rag and crank the engine several times to distribute the oil. Replace spark plug.
5. When storing the snow thrower in an unventilated or metal storage shed, care should be taken to rustproof the equipment. Using a light oil or silicone, coat the equipment, especially any chains, springs, bearings and cables.
6. Remove all dirt from exterior of engine and equipment.
7. Follow lubrication recommendations on page 11.
8. Store in a clean, dry area.

# TROUBLESHOOTING

Trouble	Possible Cause(s)	Corrective Action
Engine fails to start	Fuel tank empty, or stale fuel.  Blocked fuel line. Choke not in ON position Faulty spark plug. Key not in switch on engine. Spark plug wire disconnected. Primer button not depressed.	Fill tank with clean, fresh gasoline. Fuel will not last over thirty days unless a fuel stabilizer is used. Clean fuel line. Move switch to ON position Clean, adjust gap or replace. Insert key. Connect spark plug wire. Prime engine 5 times. See instructions for starting engine .
Engine runs erratic	Unit running on CHOKE. Blocked fuel line or stale fuel.  Water or dirt in fuel system.	Move choke lever to OFF position. Clean fuel line; fill tank with clean fresh gasoline. Fuel will not last over thirty days unless a fuel stabilizer is used. Drain fuel tank. Refill with fresh fuel.
Loss of power	Spark plug wire loose. Gas cap vent hole plugged. Exhaust port plugged.	Connect and tighten spark plug wire. Remove ice and snow from cap. Be certain vent hole is clear. Clean engine.
Engine overheats	Carburetor not adjusted properly. Incorrect fuel mixture.	Contact Sears service center.  Drain fuel tank. Refill with proper fuel mixture.
Excessive vibration	Loose parts or damaged auger.	Stop engine immediately and disconnect spark plug wire. Tighten all bolts and nuts. Make all necessary repairs. If vibration continues, have unit serviced by an authorized service dealer.
Unit fails to propel itself	Incorrect adjustment of drive cable. Drive belt loose or damaged.	Adjust drive cable. Refer to page 9 of this manual. Replace drive belt. Refer to page 17 of this manual.
Unit fails to discharge snow	Discharge chute clogged.  Foreign object lodged in auger. Incorrect adjustment of drive cable. Drive belt loose or damaged. Shear bolts have sheared.	Stop engine immediately and disconnect spark plug wire. Clean discharge chute and inside of auger housing. Stop engine immediately and disconnect spark plug wire. Remove object from auger. Adjust drive cable. Refer to page 9 of this manual. Replace drive belt. Refer to page 17 of this manual. Replace with new shear bolts.

**NOTE:** This section addresses minor service issues. For further details, contact Sears service center or call the numbers listed on the back of this manual.

## California & U.S. EPA Emission Control Warranty Statement

The U. S. Environmental Protection Agency ("EPA"), the California Air Resources Board ("CARB") and Tecumseh Products Co. are pleased to explain the Federal and California Emission Control Systems Warranty on your new small off-road engine.

In California, new 1995 and later small off-road engines must be designed, built and equipped to meet the State's stringent anti-smog standards. In other states, new 1997 and later model year engines must be designed, built and equipped, at the time of sale, to meet the U.S. EPA regulations for small non-road engines.

Tecumseh Products Co. will warrant the emission control system on your small off-road engine for the periods of time listed below, provided there has been no abuse, neglect, unapproved modification, or improper maintenance of your small off-road engine. Your emission control system may include parts such as the carburetor, ignition system and exhaust system. Also included may be the compression release system and other emission-related assemblies. Where a warrantable condition exists, Tecumseh Products Co. will repair your small off-road engine at no cost to you for diagnosis, parts and labor.

### Manufacturer's Emission Control System Warranty

Emission control systems on 1995 and later model year California small off-road engines are warranted for two years as hereinafter

noted. In other states, 1997 and later model year engines are also warranted for two years. If, during such warranty period, any emission-related part on your engine is defective in materials or workmanship, the part will be repaired or replaced by Tecumseh Products Co.

### Owner's Warranty Responsibilities

As the small off-road engine owner, you are responsible for the performance of the required maintenance listed in your Owner's Manual, but Tecumseh Products Co. will not deny warranty solely due to the lack of receipts or for your failure to provide written evidence of the performance of all scheduled maintenance.

As the small off-road engine owner, you should, however, be aware that Tecumseh Products Co. may deny you warranty coverage if your small off-road engine or a part thereof has failed due to abuse, neglect, improper maintenance or unapproved modifications. You are responsible for presenting your small off-road engine to a Tecumseh Authorized Service Outlet (any Tecumseh Registered Service Dealer, Tecumseh Authorized Service Distributor or Tecumseh Central Warehouse Distributor) as soon as a problem exists. The warranty repairs should be completed in a reasonable amount of time, not to exceed 30 days.

Warranty service can be arranged by contacting either Authorized

Tecumseh Servicing Dealer or by contacting Tecumseh Products Co., c/o Service Manager, Engine and Transmission Group Service Division, 900 North Street, Grafton, WI 53024-1499. Telephone 1-262-377-2700 [or in USA/Canada call 1-800-558-5402] or see your local telephone yellow pages under "Engines, Gasoline" for the name, address and telephone number of a Authorized Tecumseh Servicing Dealer near you.

### Important Note

This warranty statement explains your rights and obligations under the Emission Control System Warranty ("ECS Warranty") which is provided to you by Tecumseh Products Co. pursuant to California law.

Tecumseh Products Co. also provides to original purchasers of new Tecumseh Products Co. engines. The Tecumseh Products Co. Limited Warranties for New Tecumseh Engine and Electronic Ignition Modules ("Tecumseh Products Co. Warranty") which is enclosed with all new Tecumseh Products Co. engines on a separate sheet.

The ECS Warranty applies only to the emission control system of your new engine. To the extent that there is any conflict in terms between the

ECS Warranty and the Tecumseh Products Co. Warranty, the ECS Warranty shall apply except in any circumstances in which the Tecumseh Products Co. Warranty may provide a longer warranty period. Both the ECS Warranty and the Tecumseh Products Co. Warranty describe important rights and obligations with respect to your new engine.

Warranty service can only be performed by a Tecumseh Products Co. Authorized Servicing Dealer. At the time of requesting warranty service, evidence must be presented of the date of sale to the original purchaser. The purchaser shall pay any charges for making service calls and/or for transporting the products to and from the place where the inspection and/or warranty work is performed. The purchaser shall be responsible for any damage or loss incurred in connection with the transportation of any engine or any part(s) thereof submitted for inspection and/or warranty work.

If you have any questions regarding your warranty rights and responsibilities, you should contact Tecumseh Products Co. at 1-262-377-2700 or in USA/Canada call 1-800-558-5402.

## Emission Control System Warranty

Emission Control System Warranty ("ECS Warranty") for 1995 and later model year California small off-road engines (for other states, 1997 and later model year engines):

**A. APPLICABILITY:** This warranty shall apply to 1995 and later model year California small off-road engines (for other states, 1997 and later model year engines). The ECS Warranty Period shall begin on the date the new engine or equipment is delivered to its original, end-use purchaser, and shall continue for 24 consecutive months thereafter.

### B. GENERAL EMISSIONS WARRANTY COVERAGE:

Tecumseh Products Co. warrants to the original, end-use purchaser of new engine or equipment and to each subsequent purchaser that its small off-road engines are:

1. Designed, built and equipped so as to conform with all applicable regulations adopted by the Air Resources Board pursuant to its authority in Chapters 1 and 2, Part 5, Division 26 of the Health and Safety Code, and
2. Free from defects in materials and workmanship which, at any time during the ECS Warranty Period, will cause a warranted emissions-related part to fail to be identical in all material respects to the part as described in the engine manufacturer's application for certification.

C. The ECS Warranty only pertains to emissions-related parts on your engine, as follows:

1. Any warranted, emissions-related parts which are not scheduled for replacement as required maintenance in the Owner's Manual shall be warranted for the ECS Warranty Period. If any such part fails during the ECS Warranty Period, it shall be repaired or replaced by Tecumseh Products Co. according to Subsection 4 below. Any such part repaired or replaced under the ECS Warranty shall be warranted for any remainder of the ECS Warranty Period.
2. Any warranted, emissions-related part which is scheduled only for regular inspection as specified in the Owner's Manual shall be warranted for the ECS Warranty Period. A statement in such written instructions to the effect of "repair or replace as necessary", shall not reduce the ECS Warranty Period. Any such part repaired or replaced under the ECS Warranty shall be warranted for the remainder of the ECS Warranty Period.
3. Any warranted, emissions-related part which is scheduled for replacement as required maintenance in the Owner's Manual, shall be warranted for the period of time prior to the first scheduled replacement point for that part. If the part fails prior to the first scheduled replacement, the part shall be repaired or replaced by Tecumseh Products Co. according to Subsection 4 below. Any such emissions-related part repaired or replaced under the ECS Warranty, shall be

warranted for the remainder of the ECS Warranty Period prior to the first scheduled replacement point for such emissions-related part.

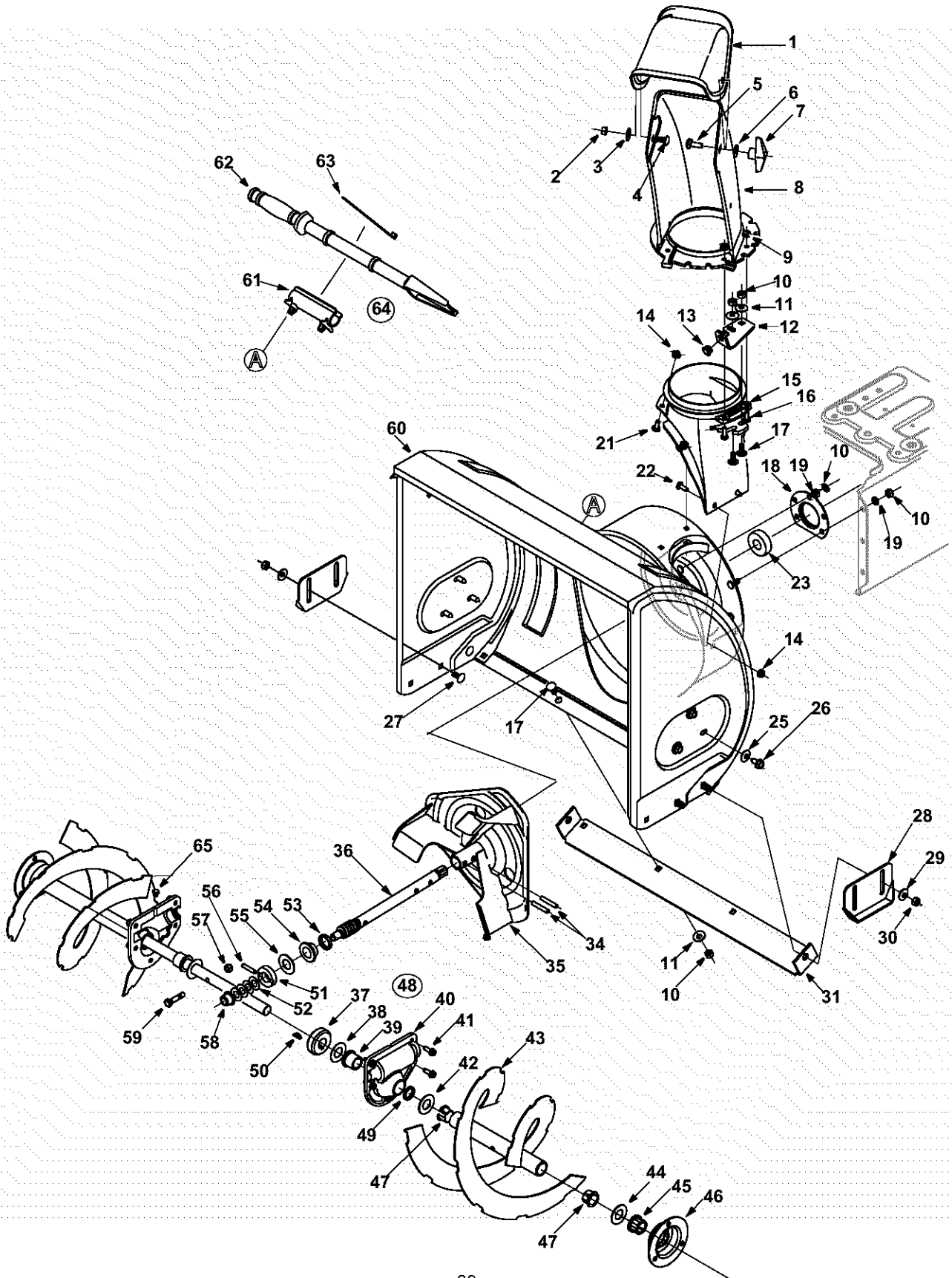
4. Repair or replacement of any warranted, emissions-related part under this ECS Warranty shall be performed at no charge to the owner at a Tecumseh Authorized Service Outlet.
5. The owner shall not be charged for diagnostic labor which leads to the determination that a part covered by the ECS Warranty is in fact defective, provided that such diagnostic work is performed at a Tecumseh Authorized Service Outlet.
6. Tecumseh Products Co. shall be liable for damages to other original engine components or approved modifications proximately caused by a failure under warranty of an emission-related part covered by the ECS Warranty.
7. Throughout the ECS Warranty Period, Tecumseh Products Co. shall maintain a supply of warranted emission-related parts sufficient to meet the expected demand for such emission-related parts.
8. Any Tecumseh Products Co. authorized and approved emission-related replacement part may be used in the performance of any ECS Warranty maintenance or repair and will be provided without charge to the owner. Such use shall not reduce Tecumseh Products Co. ECS Warranty obligations.
9. Unapproved add-on or modified parts may not be used to modify or repair a Tecumseh Products Co. engine. Such use voids this ECS Warranty and shall be sufficient grounds for disallowing an ECS Warranty claim. Tecumseh Products Co. shall not be liable hereunder for failures of any warranted parts of a Tecumseh Products Co. engine caused by the use of such an unapproved add-on or modified part.

### Emission-Related Parts include the following:

1. Carburetor Assembly and its Internal Components
  - a. Fuel filter
  - b. Carburetor gaskets
  - c. Intake pipe
2. Air Cleaner Assembly
  - a. Air filter element
3. Ignition System, including:
  - a. Spark plug
  - b. Ignition module
  - c. Flywheel assembly
4. Catalytic Muffler (if so equipped)
  - a. Muffler gasket (if so equipped)
  - b. Exhaust manifold (if so equipped)
5. Crankcase Breather Assembly and its Components
  - a. Breather connection tube

# PARTS LIST

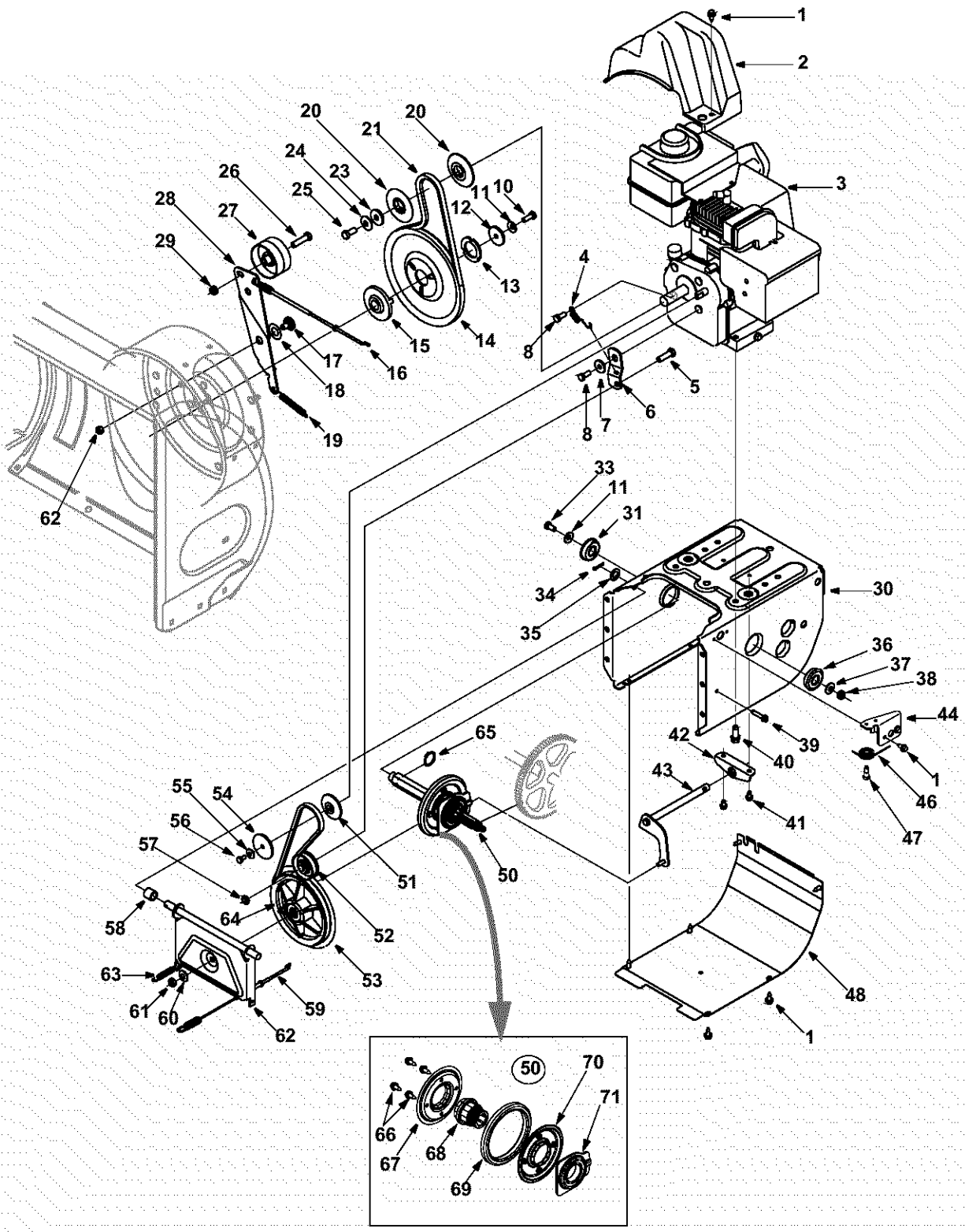
CRAFTSMAN 5.0 HP SNOW THROWER MODEL 247.886640



## CRAFTSMAN 5.0 HP SNOW THROWER MODEL 247.886640

Key No.	Part No.	Description	Key No.	Part No.	Description
1.	731-04426	Upper Chute	37.	736-0351	Flat Washer
2.	712-3068	Hex Lock Nut 5/16-18	38.	717-0528	Worm Gear
3.	736-0159	Washer	39.	711-0908	Spiral Axle
4.	710-0451	Carriage Bolt 5/16-18 x 0.75"	40.	618-0124	Gear Housing LH
5.	710-04071	Carriage Bolt 5/16-18 x 1.0"		618-0123	Gear Housing RH
6.	736-0159	Washer	41.	710-0642	Hex Bolt 1/4-20 x 0.75"
7.	720-0284	Hand Knob 5/16-18	42.	736-0188	Flat Washer
8.	731-1300B	Lower Chute	43.	605-5189A	Spiral Assembly LH
9.	712-3027	Flange Lock Nut 1/4-20		605-5188A	Spiral Assembly RH
10.	712-3010	Hex Nut 5/16-18	44.	736-0188	Flat Washer
11.	736-0242	Bell Washer	45.	741-0245	Hex Flange Bearing
12.	784-5647	Chute Crank Bracket	46.	784-5618	Hex Bearing Housing
13.	741-0475	Plastic Bushing	47.	741-0493A	Flange Bushing
14.	712-3027	Flange Lock Nut 1/4-20	48.	618-0120A	Gearbox Assembly
15.	731-0851A	Chute Flange Keeper	49.	721-0179	Oil Seal
16.	731-1379C	Chute Adapter	50.	714-0161	Key
17.	710-0451	Carriage Bolt 5/16-18 x 0.75"	51.	718-0186	Thrust collar
18.	05931A	Bearing Housing	52.	736-0369	Flat Washer
19.	736-0119	Lock Washer	53.	721-0327	Oil Seal
21.	710-3015	Hex Bolt 1/4-20 x 0.75"	54.	741-0662	Flange Bearing
22.	710-0703	Carriage Screw 1/4-20 x 0.75"	55.	736-0445	Flat Washer
23.	741-0309	Ball Bearing	56.	715-0143	Spiral Pin
25.	736-0242	Bell Washer	57.	712-0429	Hex Lock Nut 5/16-18
26.	710-0726	AB Screw 5/16-12 x 0.75"	58.	741-0663	Flange Bearing
27.	710-0451	Carriage Bolt 5/16-18 x 0.75"	59.	710-0890A	Shear Bolt 5/16-18 x 1.5"
28.	784-5580	Skid Shoe	60.	684-0039D	Auger Housing Assembly: 24"
29.	736-0242	Beleville Washer	61.	731-2643	Chute Clean-out Tool
30.	712-3010	Hex Nut 5/16-18	62.	725-0157	Cable Tie
31.	784-5581A	Shave Plate	63.	731-2635	Mounting Bracket: Chute Tool
34.	715-0114	Spiral Pin	64.	831-060000	Chute Clean-Out Tool Assy. Comp.
35.	684-0065	Impellar Assembly	65.	721-0325	Plug
36.	717-0526	Worm Shaft			

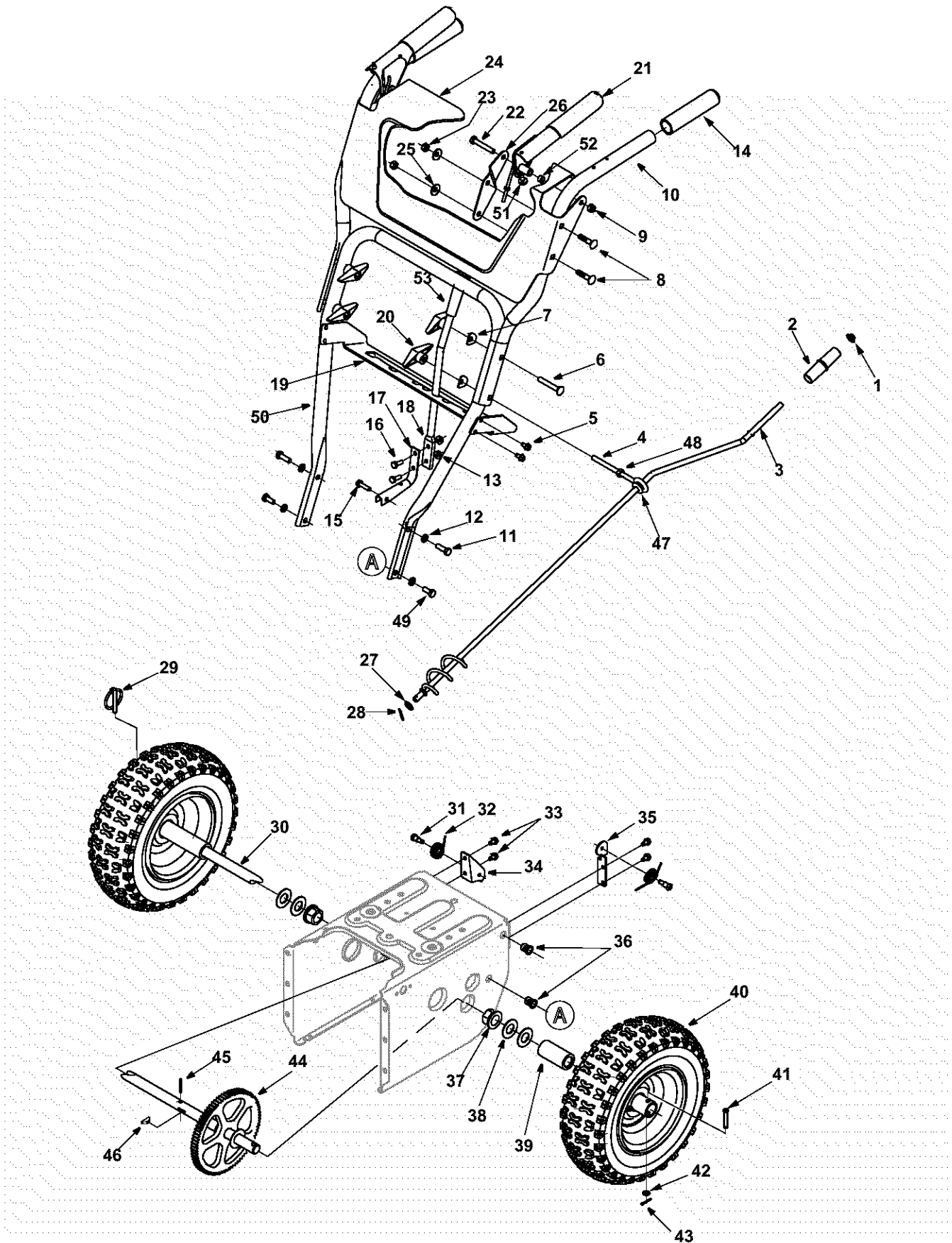
# CRAFTSMAN 5.0 HP SNOW THROWER MODEL 247.886640



## CRAFTSMAN 5.0 HP SNOW THROWER MODEL 247.886640

Key No.	Part No.	Description	Key No.	Part No.	Description
1.	710-1652	TT Screw 1/4-20 x 0.625"	37.	736-0105	Bell Washer
2.	731-1324	Belt Cover	38.	712-0116	Jam Lock Nut 3/8-24
3.	—	Engine: Craftsman 143.015007	39.	710-0809	TT Screw 1/4-20 x 1.25"
4.	732-0339	Extension Spring	40.	710-0654A	Tt Sems Screw 3/8-16 x 1.0"
5.	710-3005	Hex Bolt 3/8-16 x 1.25"	41.	710-0599	TT Screw 1/4-20 x 0.5"
6.	05896A	Idler Bracket	42.	784-5590	Shift Bracket
7.	748-0234	Shoulder Spacer	43.	684-0013B	Shift Rod Assembly
8.	710-0627	Lock Bolt 5/16-24 x 0.75"	44.	784-5689A	Auger Cable Guide Bracket
10.	710-1245B	Lock Bolt 5/16-24 x 0.875"	46.	756-0625	Cable Roller
11.	736-0242	Bell Washer	47.	738-0924	C Screw 1/4-28 x 0.375"
12.	736-0505	Flat Washer	48.	784-5638A	Snow Thrower Frame Cover
13.	736-0507	Special Washer	49.	717-04094	Hex Shaft
14.	756-0967	Auger Pulley	51.	756-0985	Pulley Half
15.	748-0360	Pulley Adapter	52.	756-0313	Flat Idler Pulley
16.	746-0897	Auger Clutch Cable	54.	756-0984	Pulley Half
17.	738-0281	Shoulder Screw	55.	736-0270	Bell Washer
18.	736-0167	Flat Washer	56.	710-0230	Hex Bolt 1/4-28 x 0.50"
19.	732-0611	Extension Spring	57.	712-0181	Jam Nut 3/8-16
20.	756-0569	Pulley Half	58.	748-0190	Spacer
21.	754-0343	V-Belt	59.	746-0898B	Drive Cable
23.	736-0247	Flat Washer	60.	736-0105	Bell Washer
24.	736-0331	Bell Washer	61.	712-0711	Jam Nut
25.	710-0696	Hex Bolt 3/8-24 x 0.875"	62.	684-0021	Support Bracket: Friction Wheel
26.	710-0459A	Hex Bolt (Special) 3/8-24 x 1.5"	63.	732-0264	Extension Spring
27.	756-0178	Flat Idler	64.	656-0012A	Friction Wheel Disc
28.	784-5632B	Auger Idler Bracket	65.	716-0102	Snap Ring
29.	712-0116	Jam Lock Nut	66.	710-1652	Hex washer Screw 1/4-20
30.	784-5630B	Snow Thrower Frame	67.	790-00010	Friction Plate
31.	741-0563	Ball Bearing	68.	718-0301A	Friction Wheel Hub
33.	710-0538	Lock Bolt 5/16-18 x 0.625"	69.	735-0243B	Friction Wheel Rubber
34.	714-0474	Cotter Pin	70.	790-00011	Friction Plate
35.	736-0160	Flat Washer	71.	618-0063	Friction Wheel Bearing
36.	741-0563	Ball Bearing			

CRAFTSMAN 5.0 HP SNOW THROWER MODEL 247.886640

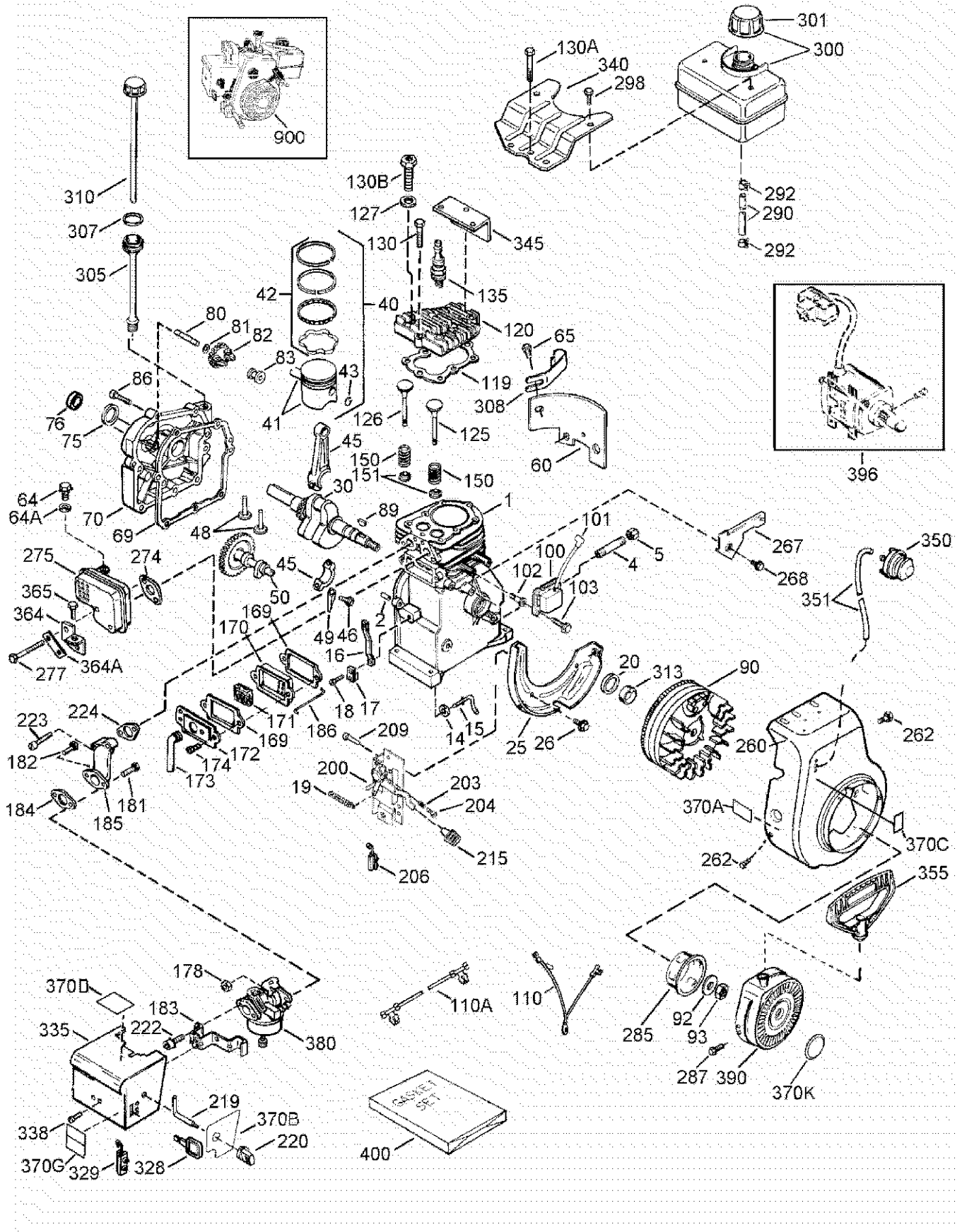




## CRAFTSMAN 5.0 HP SNOW THROWER MODEL 247.886640

Key No.	Part No.	Description	Key No.	Part No.	Description
1.	726-0100	Push Cap	28.	714-0104	Hairpin Clip
2.	720-0201A	Chute Crank Knob	29.	714-0143	Klik Pin
3.	705-5204A	Chute Crank Assembly	30.	738-0869	Axle: 13"
4.	747-0697	Eye Bolt	31.	738-0924	C Screw 1/4-28 x 0.375"
5.	710-0599	TT Screw 1/4-20 x 0.5"	32.	756-0625	Cable Roller
6.	710-0449	Carriage Screw 5/16-18 x 2.25"	33.	710-0599	TT Screw 1/4-20 x 0.5"
7.	736-0451	Saddle Washer	34.	784-5688	Drive Cable Guide Bracket
8.	710-0262	Carriage Bolt	35.	784-5687A	Auger Cable Guide Bracket
9.	712-0429	Hex Lock Nut 5/16-18	36.	712-0703A	Nut Insert
10.	749-0953A	Handle: L Style LH	37.	741-04026	Hex Flange Bearing
	749-0952A	Handle: L Style RH	38.	736-0188	Flat Washer
11.	710-0643	Hex Lock Bolt 5/16-18 x 1.0"	39.	731-04044	Spacer
12.	736-0119	Lock Washer 5/16	40.	634-0114A	Wheel Assembly Complete
13.	712-3027	Flange Lock Nut 1/4-20		734-1732	Tire
14.	720-0274	Handle Grip		734-0255	Air Valve
15.	710-0788	TT Screw 1/4-20 x 1.0"		734-1713A	Rim
16.	710-3015	Hex Bolt 1/4-20 x 0.75"		741-0401	Sleeve Bearing
17.	732-0733	Shift Arm	41.	711-1364	Clevis Pin
18.	747-0904	Shift Lever	42.	736-0142	Flat Washer
19.	705-5231	Speed Select Panel	43.	714-0507	Cotter Pin
20.	720-0284	Handle Knob	44.	717-1445	Gear 80T
21.	705-5233A	Clutch Lever LH	45.	715-0249	Roll Pin
	705-5234A	Clutch Lever RH	46.	714-0126	Key: Hi Pro
22.	710-3103	Hex Bolt 5/16-18 x 2.0"	47.	735-0234	Rubber Grommet
23.	712-3068	Hex Lock Patch Nut 5/16-18	48.	712-3010	Hex Nut 5/16-18
24.	784-5717A	Handle Panel	49.	710-1880	Hex Bolt 5/16-18 x 0.75"
25.	736-0242	Bell Washer	50.	749-0951	Lower Handle
26.	705-5275	Support Bracket LH	51.	735-0199A	Rubber Bumper
	705-5274	Support Bracket RH	52.	750-1032	Spacer
27.	736-0185	Flat Washer	53.	720-0223	Shift Lever Grip

**CRAFTSMAN 5.0 HP ENGINE 143.045001 FOR SNOW THROWER MODEL 247.886640**



## CRAFTSMAN 5.0 HP ENGINE 143.045001 FOR SNOW THROWER MODEL 247.886640

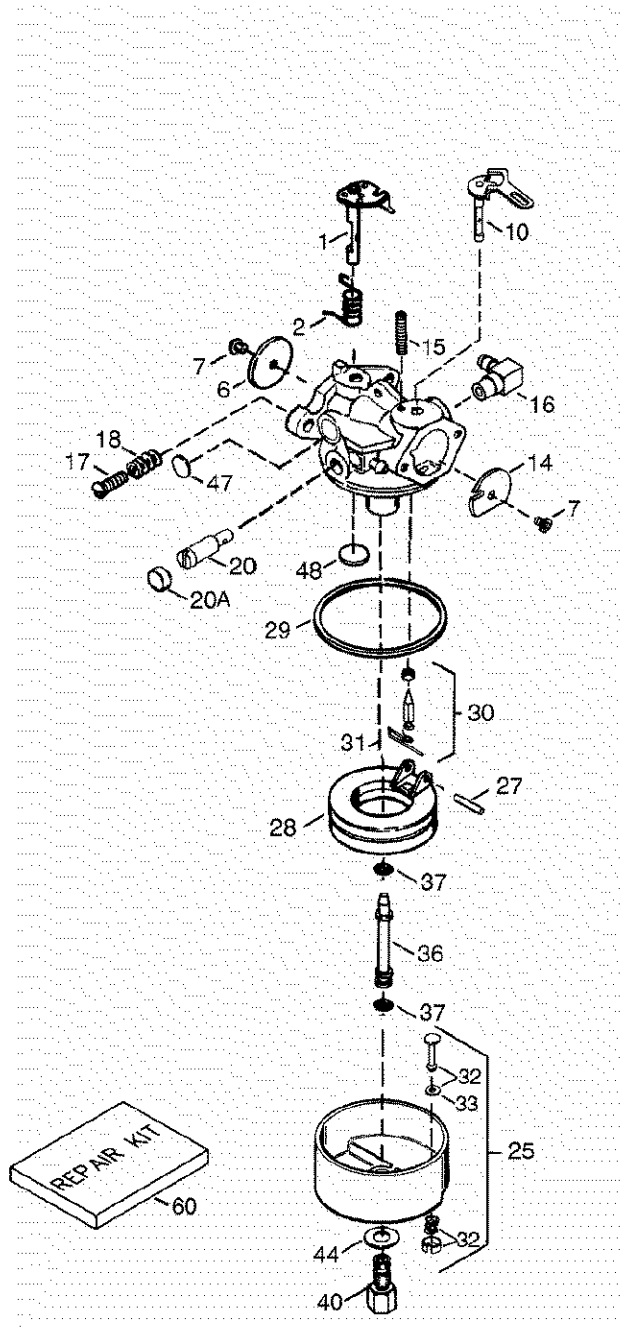
Key No.	Part No.	Description	Key No.	Part No.	Description
0		RPM High 3450 to 3750	126	32644A	Intake Valve (Std.) (Incl. 151)
0		RPM Low 1850 to 2150	126	32645A	Intake Valve (1/32" OS) (Incl. 151)
1	36469A	Cylinder (Incl. 2,20,72 & 125)	127	650691	Washer
2	26727	Dowel Pin	130	6021A	Screw, 5/16-18 x 1-1/2"
4	0	Oil Drain Extn. (Purchase Local)	130A	650694A	Screw, 5/16-18 x 2"
5	30969	Extension Cap	130B	650818	Screw, 5/16-18 x 1-1/2"
14	28277	Washer	135	35395	Resistor Spark Plug (RJ19LM)
15	31334	Governor Rod	150	31672	Valve Spring
16	37729	Governor Lever	151	31673	Valve Spring Cap
17	31335	Governor Lever Clamp	169	27234A	Valve Cover Gasket
18	651018	Screw, Torx T-15, 8-32 x 19/64"	170	27666	Breather Body
19	31426	Extension Spring	171	31410	Breather Element
20	32600	Oil Seal	172	34146	Valve Cover
25	36552	Blower Housing Baffle (Incl. 262)	173	35350	Breather Tube
26	650802	Screw, 1/4-20 x 5/8"	174	650783	Screw, 10-24 x 3/4"
30	35975	Crankshaft	178	29752	Nut & Lock Washer, 1/4-28"
40	36073	Piston, Pin & Ring Set (Std.)	181	650870	Screw, 1/4-28 x 1-11/16"
40	36074	Piston, Pin & Ring Set (.010" OS)	182	6201	Screw, 1/4-28 x 7/8"
40	36075	Piston, Pin & Ring Set (.020" OS)	183	34583A	Choke Bracket
41	36070	Piston & Pin Ass'y. (Std.) (Incl. 43)	184	26756	Carburetor To Intake Pipe Gasket
41	36071	Piston & Pin Ass'y. (.010" OS) (Incl. 43)	185	33691	Intake Pipe
41	36072	Piston & Pin Ass'y. (.020" OS) (Incl. 43)	186	32698	Governor Link
42	36076	Ring Set (Std.)	200	36677	Control Bracket (Incl. 203-209A)
42	36077	Ring Set (.010" OS)	203	31342	Compression Spring
42	36078	Ring Set (.020" OS)	204	651029	Screw, Torx T-15, 5-40 x 7/16"
43	20381	Piston Pin Retaining Ring	206	610973	Terminal
45	32875A	Connect. Rod Ass'y. (Incl. 46, 49)	209	—	Rivet (purchase locally)
46	32610A	Connecting Rod Bolt	215	35440	Control Knob
48	27241	Valve Lifter	219	34582	Choke Rod
49	32654	Oil Dipper	220	35438	Choke Knob
50	36650	Camshaft (BCR)	222	28820	Screw, 10-32 x 1/2"
60	29745	Blower Housing Extension	223	650664	Screw, 1/4-20 x 1-19/32"
64	30063	Screw, Torx T-30, 1/4-20 x 1/2"	224	33673A	Intake Pipe Gasket
64A	8345	Washer	260	35656A	Blower Housing
65	650128	Screw, 10-24 x 1/2"	262	650737	Screw, 1/4-20 x 1/2"
69	27677A	Cylinder Cover Gasket	267	34212	Hold Down Bracket
70	34678A	Cylinder Cover (Incl. 75 thru 83)	268	30200	Screw, 10-24 x 9/16"
72	27642	Oil Drain Plug	274	33670A	Exhaust Gasket
75	27897	Oil Seal	275	35771	Muffler (Incl. 274)
76	30318	Camshaft Seal	277	792005	Screw, 1/4-20 x 2-1/2"
80	30574A	Governor Shaft	285	36467A	Starter Cup
81	30590A	Washer	287	650926	Screw, 8-32 x 21/64"
82	30591	Governor Gear Ass'y. (Incl. 81)	290	30705	Fuel Line
83	30588A	Governor Spool	292	26460	Fuel Line Clamp
86	650488	Screw, 1/4-20 x 1-1/4"	298	650665	Screw, 1/4-15 x 3/4"
89	610961	Flywheel Key	300	35584	Fuel Tank (Incl. 292 & 301)
90	611199	Flywheel (W/Ring Gear)	301	35355	Fuel Cap
92	650815	Belleville Washer	305	35554	Oil Fill Tube
93	650816	Flywheel Nut	307	35499	Oil Fill Tube "O" Ring
100	34443C	Solid State Ignition	308	35539	Oil Fill Tube Clip
101	610118	Spark Plug Cover	310	35556	Dipstick Ass'y.
102	651024	Solid State Mounting Stud	313	34080	Spacer
103	651007	Screw, Torx T-15, 10-24 x 15/16"	328	35593	Ignition Key
110	35182	Ground Wire	329	610973	Terminal
110A	36874	Ground Wire	335	35072	Carburetor Cover
119	36443	Cylinder Head Gasket	338	650257	Screw, 8-32 x 5/16"
120	37675	Cylinder Head (Incl. 131)	340	36247	Fuel Tank Bracket
125	36471	Exhaust Valve (Std.) (Incl. 151)	345	33344	Heat Baffle
125	36472	Exhaust Val. (1/32" OS) (Incl. 151)	350	570682A	Primer Ass'y.

Table continued on page 28

# CRAFTSMAN 5.0 HP ENGINE 143.045001 FOR SNOW THROWER MODEL 247.886640

Table continued from page 27

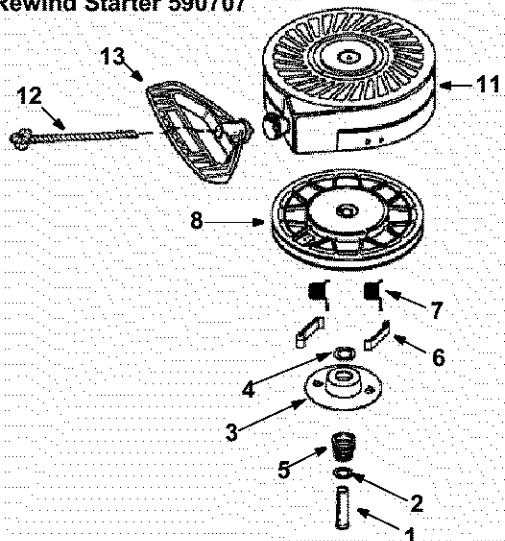
Key No.	Part No.	Description	Key No.	Part No.	Description
351	32180C	Primer Line	370G	36534	Instruction Decal
355	590574	Starter Handle (Mitten Grip)	370K	36695	Starter Decal
364	33333	Carburetor Cover Bracket	380	640084B	Carburetor (Incl. 184)
364A	37673	Lock Plate	390	590742	Rewind Starter
365	650735	Screw, 10-24 x 3/8"	396	33290E	Electric Starter
370A	36261	Lubrication Decal	400	36444	Gasket Set (Incl. Items Marked PK in Notes)
370B	35282	Instruction Decal	900	754303	Replacement Short Block, Order From 71-999
370C	36501	Primer Decal			
370D	35878	Warning Decal			



Key No.	Part No.	Description
0	640084B	Carburetor (Incl. 184 on page 33)
1	631615	Throttle Shaft & Lever Assembly
2	631767	Throttle Return Spring
6	640070	Throttle Shutter
7	650506	Shutter Screw
10	632108	Choke Shaft & Lever Assembly
14	631890	Choke Shutter
15	630735	Choke Positioning Spring
16	631807	Fuel Fitting
17	651025	Throttle Crack Screw/Idle Spd. Screw
18	630766	Tension Spring
20	640027	Idle Restrictor Screw
20A	640053	Idle Restrictor Screw Cap
25	631951	Float Bowl Ass'y (Incl. 32 & 33)
27	631024	Float Shaft
28	632802	Float
29	631028	Float Bowl "O" Ring
30	631021	Inlet Needle, Seat & Clip (Incl. 31)
31	631022	Spring Clip
32	27136A	Bowl Drain Assembly
33	27554	Drain Plunger Gasket
36	632745	Main Nozzle Tube
37	632547	"O" Ring, Main Nozzle Tube
40	640131	High Speed Bowl Nut
44	27110A	Bowl Nut Washer
47	630748	Welch Plug, Idle Mixture Well
48	631027	Welch Plug, Atmospheric Vent
60	632760B	Repair kit

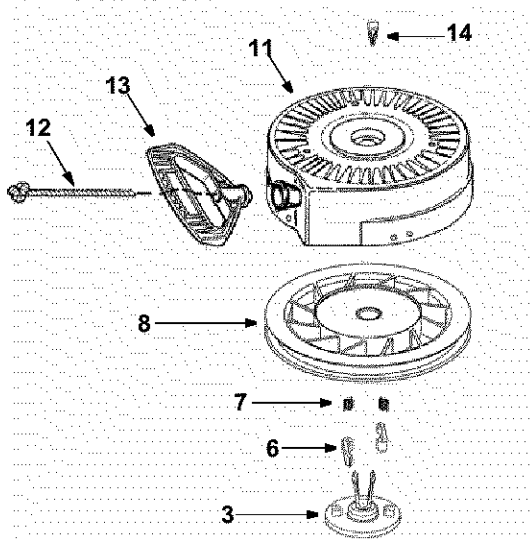
# CRAFTSMAN 5.0 HP ENGINE 143.045001 FOR SNOW THROWER MODEL 247.886640

**Rewind Starter 590707**



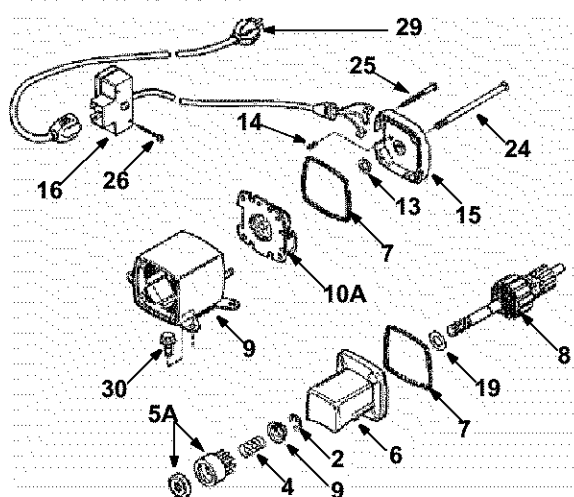
Key No.	Part No.	Description
0	590707	Rewind Starter
1	590599A	Spring Pin
2	590600	Washer
3	590696	Retainer
4	590601	Washer
5	590697	Brake Spring
6	590698	Starter Dog
7	590699	Dog Spring
8	590709	Pulley & Rewind Spring Assembly
11	590708	Starter Housing Assembly
12	590535	Starter Rope
13	590574	Mitten Grip Handle (not included with starter)

**Rewind Starter 590742**



Key No.	Part No.	Description
0	590742	Rewind Starter
3	590740	Retainer
6	590616	Starter Dog
7	590617	Dog Spring
8	590645A	Pulley & Rewind Spring Ass'y
11	590647	Starter Housing Ass'y
12	590535	Starter Rope (Length 98" x 9/64" dia.)
13	590574	Mitten Grip Handle (not included with starter)
14	590760	Spring Clip

**Electric Starter 33290E**



Key No.	Part No.	Description
0	33290E	Electric Starter (110 Volt)
2	31749	Retainer Ring
3	33522	Spring Retainer
4	33769	Anti-drift Spring
5A	37332	Nut & Gear (Incl. 2)
6	35461	Drive End Cap Ass'y. (Incl. 7)
7	35450	"O" Ring
8	35912	Armature
9	0	Housing Ass'y.
10A	35452A	Brush & Spring Card Ass'y.
13	590500	Thrust Washer
14	33441	Ground Screw
15	35453	Commutator End Cap Ass'y. (Incl. 7)
16	35454	Switch Box Ass'y.
19	35911	Thrust Washer
24	35462	Case Bolt
25	35456	Grounding Screw
26	650819	Screw, 6-32 x 2-1/2"
26	651032	Screw, 12-16 x 5/8"
29	32450B	Extension Cord (10'6")
30	650759	Screw, Torx T-30, 1/4-20 x 23/32"

## CONTENIDO

Contenido	Pág.	Contenido	Pág.
Información sobre la garantía .....	30	Servicio y Ajuste .....	41
Prácticas de seguridad en la operación .....	31	Almacenamiento fuera de temporada .....	44
Ensamblado .....	33	Guía para la solución de problemas .....	45
Operación .....	36	Lista de las piezas (English) .....	19
Mantenimiento .....	39		

## INFORMACIÓN SOBRE LA GARANTÍA

### Garantía de dos años para la máquina quitanieve Craftsman

Durante dos años a partir de la fecha de compra, siempre que a esta máquina quitanieve se le realice el servicio de mantenimiento, lubricación y sintonización de acuerdo a las instrucciones del manual del propietario, Sears reparará sin cargo cualquier defecto de materiales o mano de obra.

Si esta máquina quitanieve Craftsman se utiliza para propósitos comerciales o de alquiler, esta garantía se aplica sólo durante 30 días a partir de la fecha de compra.

#### Esta garantía no cubre:

Elementos desechables que se desgastan por el uso normal, incluyendo entre otros, zapatas antideslizantes, placa de raspado, y bujías.

Reparaciones necesarias debido a abuso o negligencia del operador, incluyendo abolladura del cigüeñal y falla por no realizar mantenimiento del equipo de acuerdo con las instrucciones contenidas en el manual del propietario. **EL SERVICIO DE GARANTÍA ESTÁ DISPONIBLE PARA LOS USUARIOS QUE LLEVEN LA MÁQUINA QUITANIEVE CRAFTSMAN AL CENTRO DE PARTES & REPARACIÓN SEARS MÁS CERCANO DENTRO DE LOS ESTADOS UNIDOS.**

Esta garantía es válida únicamente mientras el producto se utilice dentro de los Estados Unidos.

Esta garantía le otorga derechos legales específicos; usted también puede tener otros derechos, los cuales varían de un estado a otro.

SEARS, ROEBUCK AND CO., D/817WA, HOFFMAN ESTATES, IL 60179

### Acuerdos de protección sobre reparaciones

Felicitaciones por la compra inteligente que realizó. Su nuevo producto Craftsman® esta diseñado y fabricado para años de operación confiable. Pero como todo producto, es posible que necesite reparaciones de vez en cuando. En esos casos tener un Acuerdo de Protección sobre Reparaciones le ahorrará dinero y disgustos.

El Acuerdo incluye lo siguiente:

- ✓ **Servicio especializado** llevado a cabo por 12,000 especialistas profesionales en reparaciones
- ✓ **Servicio ilimitado sin costo** para partes y mano de obra en todas las reparaciones cubiertas
- ✓ **Reemplazo del producto** si no es posible arreglar el producto cubierto por el acuerdo
- ✓ **Descuento** del 10% sobre el precio regular de servicio y partes relacionadas con el servicio no cubiertas por el acuerdo; además descuento del 10% sobre el precio regular para control de mantenimiento preventivo
- ✓ **Ayuda rápida por teléfono** – apoyo telefónico de un técnico de Sears para los productos que requieran reparaciones en el sitio más un cronograma de reparaciones conveniente.

Compre un Acuerdo de Protección sobre Reparaciones ya mismo y evite problemas y gastos inesperados.

Una vez que compre el Acuerdo, sólo tendrá que realizar una llamada telefónica para programar el servicio. Llame en cualquier momento de día o de noche o acuerde una cita de servicio en línea. Sears tiene alrededor de 12,000 especialistas en reparaciones profesionales, los cuales tienen acceso a 4.5 millones de partes y accesorios de calidad. Esa es la clase de profesionalismo con que cuenta para ayudar a prolongar la vida de su nueva compra durante los años siguientes. ¡Compre hoy mismo el Acuerdo de Protección sobre Reparaciones!

Se aplican algunas limitaciones y exclusiones. Para obtener información adicional y precios llame al 1-800-827-6655.

#### Servicio de instalación de Sears

Para la instalación profesional de Sears de aparatos domésticos, dispositivos de apertura de portones, calentadores de agua y otros artículos del hogar, en los Estados Unidos llame al 1-800-4-MY-HOME®.

### ESPECIFICACIONES DEL PRODUCTO

Caballaje: **5**  
 Aceite del motor: **SAE 5W30**  
 Combustible: **Común sin plomo**  
 Bujías: **RJ19LM**  
 Motor: **Modelo de motor Craftsman 143.045001**

### MODELO NÚMERO

Modelo Número  
 Número de Serie.....  
 Fecha de compra.....  
 Registre el número de serie y la fecha de compra y conserve esta información en un sitio seguro para referencia futura.

# PRÁCTICAS DE OPERACIÓN SEGURAS



**ADVERTENCIA:** Este símbolo indica instrucciones de seguridad importantes que de no seguirse, podrían poner en peligro la seguridad personal y/o la propiedad suya y de terceros. Lea y siga todas las instrucciones en este manual antes de iniciar la operación de esta máquina. En caso de no seguir estas instrucciones podrían producirse lesiones personales. Cuando vea este símbolo—**preste atención a la advertencia.**



**ADVERTENCIA:** El escape del motor de este producto, algunos de sus componentes y algunos componentes del vehículo contienen o emiten productos químicos que el estado de California considera que pueden producir cáncer, defectos de nacimiento u otros problemas reproductivos.

**PELIGRO:** Esta máquina está diseñada para ser utilizada respetando las reglas de seguridad contenidas en este manual. Al igual que con cualquier tipo de equipo eléctrico, una falla o error de parte del operador puede producir graves lesiones. Esta máquina es capaz de amputar manos y pies y de arrojar objetos con gran fuerza. De no respetar las instrucciones de seguridad siguientes se pueden producir lesiones graves o la muerte.

## Capacitación

1. Lea, comprenda y respete todas las instrucciones que figuran en la máquina o en este(os) manual(es) antes de proceder al ensamblado y operación del equipo. Guarde este manual en un lugar seguro para referencias futuras y regulares y para solicitar partes de reemplazo.
2. Familiarícese con todos los controles y con su funcionamiento. Sepa cómo detener la máquina y cómo desengranar los controles.
3. Nunca permita que niños menores de 14 años operen esta máquina. Los niños de 14 años y mayores de 14 años deben leer y comprender las instrucciones de operación y las reglas de seguridad contenidas en este manual y deben ser entrenados y supervisados por uno de los padres.
4. Nunca permita que adultos sin los conocimientos adecuados acerca de la máquina la operen.
5. Los objetos arrojados por la máquina pueden producir lesiones graves. Planifique el patrón en el que va a ir arrojando nieve para evitar que la descarga de material se realice hacia los caminos, los observadores, etc.
6. Mantenga a los observadores, ayudantes, mascotas y a los niños por lo menos a 75 pies de la máquina mientras la misma está en funcionamiento. Detenga la máquina si alguien entra en la zona.
7. Sea precavido para evitar patinarse o caerse especialmente cuando opera la máquina en reversa.

## Preparativos

1. Revise minuciosamente la zona donde se utilizará el equipo. Saque todos los felpudos, periódicos, trineos, tablas, cables y otros objetos extraños con los que podría tropezar o que podrían ser arrojados por la barrena / motor.
2. Para protegerse los ojos utilice siempre anteojos o antiparras de seguridad mientras opera la máquina o mientras la ajusta o repara. Los objetos arrojados que rebotan pueden lesionar gravemente la vista.
3. No opere la máquina sin la vestimenta adecuada para estar al aire libre en invierno. No utilice alhajas, bufandas largas u otras prendas sueltas que podrían enredarse en las partes móviles. Utilice un calzado especial para superficies resbaladizas.
4. Use un cordón prolongador y un tomacorriente de tres cables con conexión a tierra para todas las unidades con motores con encendido eléctrico.
5. Ajuste la altura de la caja del tomacorriente para limpiar la grava o las superficies con piedras trituradas.
6. Desengrane todas las palancas de embrague antes de arrancar el motor.

7. Nunca intente realizar ajustes mientras el motor está en marcha excepto en los casos específicamente recomendados en el manual del operador.
8. Deje que el motor y la máquina se adapten a la temperatura exterior antes de comenzar a sacar la nieve.
9. Sea sumamente cuidadoso al manipular la gasolina para evitar lesiones o daños. La gasolina es altamente inflamable y los vapores son explosivos. Se puede lesionar gravemente si derrama gasolina sobre usted o sobre la ropa ya que se puede prender fuego. Lave la piel y cámbiese de ropa de inmediato.
  - a. Utilice sólo recipientes para gasolina aprobados.
  - b. Apague todos los cigarrillos, cigarros, pipas y otras fuentes de combustión.
  - c. Nunca cargue combustible en la máquina en un espacio cerrado.
  - d. Nunca saque la tapa del combustible ni agregue combustible mientras el motor está caliente o en marcha.
  - e. Deje que el motor se enfríe por lo menos dos minutos antes de volver a cargar combustible.
  - f. Nunca recargue el tanque de combustible. Llene el tanque no más de 1/2 pulgada por debajo de la base del cuello del filtro para dejar espacio para la dilatación del combustible.
  - g. Vuelva a colocar la tapa de la gasolina y ajústela bien.
  - h. Limpie la gasolina derramada sobre el motor y el equipo. Traslade la máquina a otra zona. Espere 5 minutos antes de encender el motor.
  - i. Nunca almacene la máquina o el recipiente de combustible en un espacio cerrado donde haya fuego, chispas o luz piloto (por ejemplo, hornos, calentadores de agua, calefactores, secadores de ropa, etc.).
  - j. Deje que la máquina se enfríe durante 5 minutos antes de almacenarla.

## Operación

1. No ponga las manos o los pies cerca de las piezas rotatorias, en la caja de la barrena / motor o en el canal de descarga. El contacto con piezas rotatorias puede amputar manos y pies.
2. La palanca del embrague de la barrena / motor es un dispositivo de seguridad. Nunca pase por alto su funcionamiento. De hacerlo la operación de la máquina es riesgosa y puede ocasionar lesiones.
3. Las palancas del embrague deben funcionar bien en ambas direcciones y regresar automáticamente a la posición de desengrane cuando se las suelta.

4. Nunca opere la máquina si falta un canal de descarga o el mismo está dañado. Mantenga todos los dispositivos de seguridad en su lugar y en funcionamiento.
5. Nunca encienda el motor en espacios cerrados o en una zona poco ventilada. El escape del motor contiene monóxido de carbono, un gas inodoro y letal.
6. No opere la máquina estando bajo los efectos del alcohol o de drogas.
7. El silenciador y el motor se calientan y producen una quemadura. No los toque.
8. Sea sumamente precavido cuando opere la máquina sobre una superficie con grava o cuando la cruce. Manténgase alerta por si se presentan peligros ocultos o tránsito.
9. Tenga cuidado cuando cambie de dirección o cuando opere la máquina en pendientes.
10. Planifique el patrón en el que va a ir arrojando nieve para evitar que la descarga de material se produzca hacia las ventanas, las paredes, los automóviles, etc. para evitar posibles daños materiales o lesiones producidas por los rebotes.
11. Nunca dirija la descarga hacia los niños, los observadores y las mascotas ni deje que nadie se pare delante de la máquina.
12. No sobrecargue la capacidad de la máquina tratando de sacar la nieve muy rápidamente.
13. Nunca opere esta máquina si no tiene buena visibilidad o iluminación. Siempre debe estar seguro de que está bien afirmado y sostenga bien las manijas. Camine, nunca corra.
14. Corte la corriente a la barrena / motor cuando transporte la máquina o cuando la misma no está en uso.
15. Nunca opere la máquina a alta velocidad de desplazamiento sobre superficies resbaladizas. Mire hacia abajo y hacia atrás y tenga cuidado cuando la use en reversa.
16. Si la máquina comenzara a vibrar de manera anormal, detenga el motor, desconecte el cable de la bujía y póngala de manera que haga masa contra el motor. Inspeccione la máquina minuciosamente para ver si está dañada. Repare todos los daños antes de encender y operar la máquina.
17. Desengrane todas las palancas de embrague y detenga el motor antes de dejar la posición de operación (detrás de las manijas). Espere a que la barrena / motor se detenga por completo antes de destapar el canal de descarga, de realizar ajustes o inspecciones.
18. Nunca ponga las manos en las aberturas de descarga o de recolección. Utilice siempre la herramienta de limpieza que se adjunta para destapar la abertura de descarga. No destape el canal de descarga mientras el motor está en marcha. Antes de destaparlo, apague el motor y permanezca detrás de las manijas hasta que todas las partes móviles se hayan detenido completamente.
19. Use sólo uniones y accesorios aprobados por el fabricante (por ejemplo, pesas para las ruedas, cadenas para los neumáticos, cabinas, etc.).
20. Si se presentan situaciones que no están previstas en este manual sea cuidadoso y use el sentido común. Contacte al centro de servicio Sears para obtener asistencia.

## Mantenimiento & Almacenamiento

1. Nunca manipule los dispositivos de seguridad de manera imprudente. Controle periódicamente que funcionen de forma adecuada. Remítase a las secciones de mantenimiento y ajuste de este manual.
2. Antes de realizar la limpieza, de reparar o de revisar la máquina, desengrane todas las palancas de embrague y detenga el motor. Espere a que la barrena / motor se detenga por completo. Desconecte el cable de la bujía y póngalo de manera que haga masa contra el motor para evitar que se encienda de manera accidental.
3. Verifique frecuentemente que los pernos y tornillos estén ajustados correctamente para asegurarse de que la máquina esté trabajando de manera segura. Además realice una

inspección visual de la máquina para controlar si la misma está dañada.

4. No cambie la configuración del regulador del motor ni acelere demasiado el mismo. El regulador controla la velocidad máxima segura de operación del motor.
5. Las placas de raspado y las zapatas antideslizantes que se usan con la máquina quitanieve se desgastan y se dañan. Para proteger su seguridad, verifique frecuentemente todos los componentes y reemplácelos sólo con partes de los fabricantes de equipos originales (OEM). "La utilización de partes que no cumplan con las especificaciones de equipos originales podría tener como resultado un rendimiento incorrecto y además la seguridad podría estar comprometida"
6. Revise los controles del embrague periódicamente para verificar que engranen y desengranen adecuadamente y ajústelos si es necesario. Consulte la sección de ajustes en este manual del operador para obtener instrucciones.
7. Mantenga/reemplace las etiquetas/instrucciones de seguridad según sea necesario.
8. Respete las leyes y reglamentaciones referentes a la disposición correcta de combustible, aceite, etc. para proteger el medio ambiente.
9. Antes de almacenar la máquina enciéndala unos minutos para sacar la nieve que haya quedado en la misma y para evitar así que se congele la barrena / motor.
10. Nunca almacene la máquina o el recipiente de combustible en un espacio cerrado donde haya fuego, chispas o luz piloto como por ejemplo, calentadores de agua, hornos, secadores de ropa, etc.
11. Siempre consulte el manual del operador para obtener instrucciones correctas acerca del almacenamiento fuera de temporada.

## Su responsabilidad

Sólo permita que usen esta máquina eléctrica las personas que lean, comprendan y respeten las advertencias y las instrucciones que aparecen en este manual y en la máquina. A continuación se muestran las etiquetas de seguridad para su referencia.

## No modifique el motor

Para evitar lesiones graves o la muerte, no modifique el motor bajo ninguna circunstancia. Si cambia la configuración del regulador el motor puede descontrolarse y operar a velocidades inseguras. Nunca cambie la configuración de fábrica del regulador del motor.

## Aviso referido a emisiones

Los motores que están certificados y cumplen con las regulaciones de emisiones federales EPA y de California para SORE (Equipos Small Off Road Equipment) están certificados para operar con gasolina común sin plomo y pueden incluir los siguientes sistemas de control de emisiones: Modificación de motor (EM) y catalizador de tres vías (TWC) si está equipado de esa manera.

## Calcomanía de identificación del motor

Esta calcomanía indica el número del modelo del motor, las especificaciones y la fecha de fabricación. Por favor mire la calcomanía en el motor de su equipo y registre esa información para referencia futura.

La calcomanía de identificación del motor también incluye especificaciones sobre el período de vida útil del motor relacionado con las emisiones. Este período está relacionado con la vida útil en conformidad con las emisiones según lo certificado por EPA y/o CARB. Para hallar la especificación del período de vida útil del motor, por favor lea la calcomanía del motor y ubique la letra (entre comillas) entre las palabras Moderado y Período de Vida Útil. Conecte una de las siguientes letras con la letra impresa en su calcomanía. Por ejemplo, a los modelos HMSK 80 se los designa como:

"C" — 250 horas; "B" — 500 horas; "A" — 1000 horas



# ENSAMBLADO

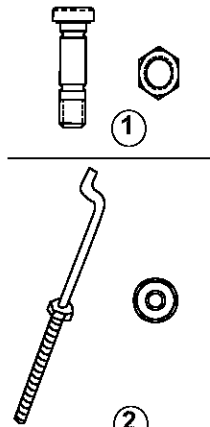
## Desempaque

1. Retire los tornillos de los lados y extremos superiores de la caja de embalaje.
2. Retire los paneles de la caja para evitar que se pinchen las llantas o que se produzcan lesiones personales.
3. Retire y descarte la bolsa de plástico que cubre la unidad.
4. Quite cualquier parte suelta que se incluya con su unidad (por ejemplo, el manual del operador, etc.).
5. Deslice la unidad hasta sacarla de la caja.

## Paquete de hardware

Los siguientes artículos constituyen el paquete de hardware para su máquina quitanieve:

1. **Pernos de cuchillo y tuercas de seguridad (2)** — Las barrenas están sujetas al eje de la barrena con dos pernos de cuchillo y tuercas de seguridad hexagonales. Si golpea un objeto extraño o barra de hielo, estos pernos se pueden cortar. Para su conveniencia, se han incluido dos pernos de cuchillo y tuercas hexagonales de repuesto. Guárdelos hasta que los necesite.



Hardware no trefilado a medida aquí

2. **Accesorios "Z" y tuercas hexagonales (2)** — Estas cuatro piezas de hardware se necesitarán en el montaje de la máquina quitanieve. Identifique los artículos y utilícelos de acuerdo con las instrucciones dadas.

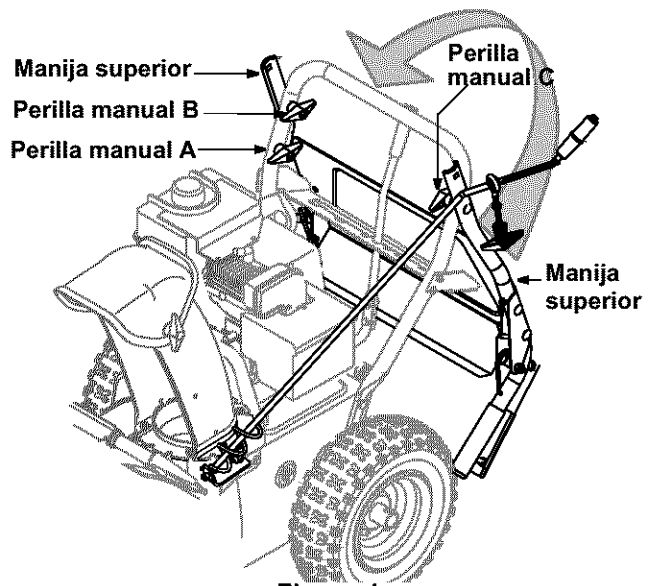


Figura 1

6. Ajuste la manija superior derecha con la manija inferior con la perilla manual A y el hardware extraídos en el paso 2. No apriete la perilla.
7. Extraiga la perilla manual del perno de anilla y gire el perno de anilla en la dirección que se muestra en la Figura 2. Inserte el perno de anilla en el orificio inferior de la manija superior izquierda y la manija inferior respectivamente. Ver la Figura 2.
8. Coloque la arandela cónica, con la parte cóncava contra la manija, en el perno de anilla y ajuste con la perilla manual D. Ver la Figura 2.

## Configuración de la máquina quitanieve

**NOTA:** Las referencias que contiene este manual sobre los lados derecho o izquierdo de la máquina quitanieve se hacen observando la misma desde la posición de operación. Si existiera alguna excepción será especificado.

1. **Desconecte** el cable de la bujía y póngalo de manera que haga masa contra el motor para evitar que se encienda de manera accidental.
2. Saque la perilla manual A, la arandela cónica y el tornillo del carro de la manija inferior. Ver la Figura 1. Guarde el hardware.
3. Afloje las perillas manuales B y C, que se muestran en la Figura 1, pero no las saque de la unidad.
4. Eleve el montaje de la manija siguiendo la dirección de la flecha en. Asegúrese de no raspar la pintura en la unidad al lado del perno de anilla cuando coloque la manija hacia arriba.
5. Alinee el orificio inferior en cada manija superior con el orificio correspondiente de la manija inferior.

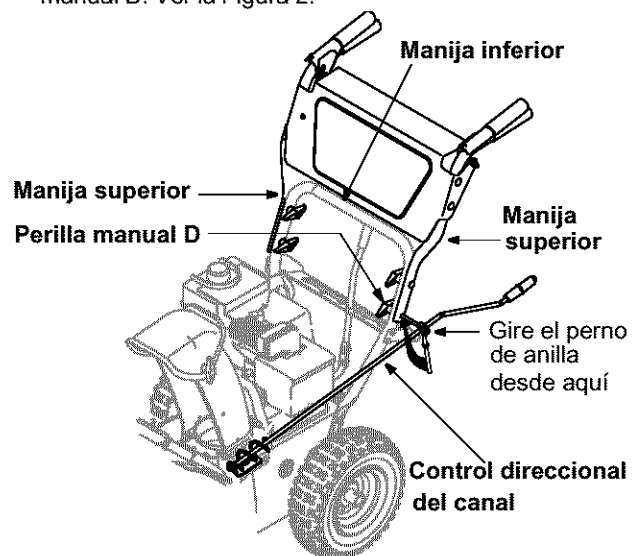


Figura 2

9. Apriete las cuatro perilla manuales ahora.

**NOTA:** Asegúrese de que el espiral del control direccional del canal engrane por completo los dientes del montaje del canal. Ver la Figura 3.

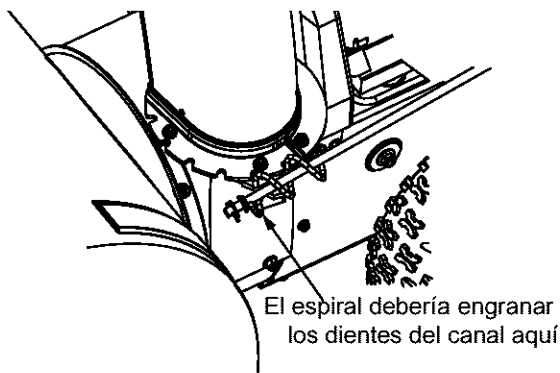


Figura 3

10. Tome un accesorio "Z" del paquete de hardware e inserte el extremo "Z" dentro del orificio en la empuñadura del embrague izquierdo del panel de la manija. Ver la Figura 4. Enrosque una tuerca hexagonal del paquete de hardware en el accesorio "Z."

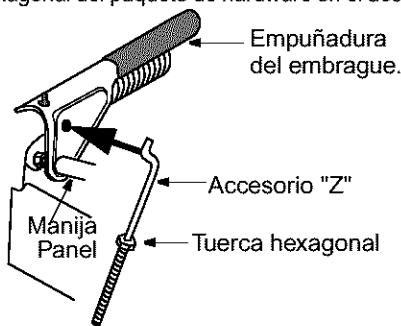


Figura 4

11. Posicione el cable izquierdo entre el motor y la placa selectora de velocidad y luego entre el panel de la manija y la varilla pivote de la palanca del embrague. Asegúrese de que el cable esté orientado correctamente en las guías rotatorias de cable en la parte posterior inferior de la unidad.
12. Enrosque el cable en el accesorio "Z" izquierdo.
13. Ensamble el accesorio "Z" derecho sobre la empuñadura del embrague derecho y acople el cable derecho de la misma manera. Ambos cables deberían tener un juego mínimo, pero tampoco deberían estar ajustados. Ajuste o suelte las tuercas hexagonales en el accesorio "Z" para ajustarlos.

**IMPORTANTE:** Si el cable de bloqueo derecho no está ajustado, las ruedas tenderán a girar. Si el cable de bloqueo izquierdo no está ajustado, las barrenas seguirán rotando.

**NOTA:** El cable del embrague de transmisión está dirigido por encima del eje.



**ADVERTENCIA:** No ajuste demasiado los cables del embrague. Si existe tensión en alguno de los cables en posición desengranada (superior), es posible que se violen las funciones de seguridad de la máquina.

## Herramienta de limpieza del canal

Esta herramienta y el prolongador eléctrico están ajustados con una unión de cable a la parte posterior de la caja de la barrena para propósitos de env. Corte la unión del cable y saque el cable eléctrico antes de poner en funcionamiento la máquina quitanieve.

## Ensamblado & Ajustes Finales

### Control de la barrena

1. Para controlar el ajuste del control de la barrena, empuje hacia adelante la empuñadura del embrague del lado izquierdo (comprima el parachoques de goma). El cable debería estar flojo. Suelte la empuñadura del embrague. El cable debería estar recto. Asegúrese de que puede presionar completamente la empuñadura de control de la barrena contra la manija izquierda.
2. Si es necesario realizar ajustes, afloje la tuerca de seguridad y enrosque el cable (para que no esté tan tirante) o desenrosque el cable (para que esté más flojo) según sea necesario. Consulte Figura 4.
3. Ajuste la tuerca de seguridad contra el cable cuando alcance el ajuste correcto.

### Control de tracción & palanca de cambios

1. Para controlar el ajuste del control de tracción y la palanca de cambios, mueva la palanca de cambios totalmente hasta la derecha a la posición quinta (5). Cuando suelte el control de tracción, empuje la máquina quitanieve hacia adelante. La unidad debería avanzar libremente. Luego engrane la empuñadura del control de tracción. Las ruedas deberían dejar de girar.
2. Ahora suelte la empuñadura de control de tracción y empuje nuevamente la unidad. Mueva la palanca de cambios hacia atrás en posición retroceso rápido y luego muévala totalmente hacia adelante. No debería haber resistencia en la palanca de cambios y las ruedas deberían seguir girando.
3. Si encuentra alguna resistencia cuando mueva la palanca de cambios o si las ruedas se detienen cuando no deberían, afloje la contratuerca en el cable de control de tracción y desenrosque una vuelta de cable.
4. Si las ruedas no se detienen cuando engrana la empuñadura del embrague de la transmisión de tracción, afloje la contratuerca en el cable de control de tracción y enrosque una vuelta de cable.
5. Vuelva a controlar el ajuste y repita el procedimiento si es necesario. Ajuste la contratuerca para asegurar el cable una vez alcanzado el ajuste correcto.

**NOTA:** Si no está seguro si realizó el ajuste correctamente, consulte la sección Ajustes en la página 43.

### Zapatillas antideslizantes

1. Ubique la placa de raspado en Figura 6. Es posible ajustar el espacio existente entre esta placa de raspado y el suelo.
2. Si desea quitar nieve al ras del suelo, eleve más las zapatillas antideslizantes. Ver Figura 5.
3. Coloque las zapatillas en las posiciones media o alta cuando la superficie que desea limpiar sea despareja. Ver Figura 5.

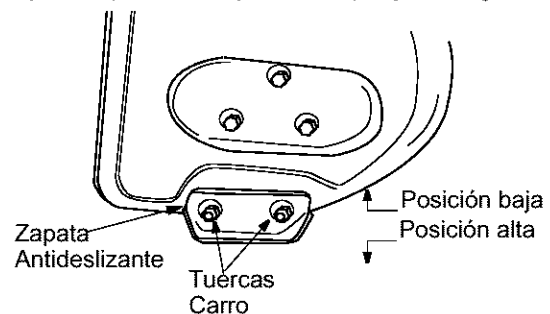


Figura 5

4. Ajuste las zapatas antideslizantes aflojando las cuatro tuercas hexagonales y los pernos de carro tal como se muestra en Figura 5. Mueva las zapatas antideslizantes a la posición deseada.
5. Compruebe que toda la superficie inferior de las zapatas antideslizantes esté contra el suelo para evitar un desgaste desparejo de las mismas. Vuelva a ajustar bien las tuercas y los pernos.

## Presión de los neumáticos

Los neumáticos tienen un exceso de aire para el embarque.

1. Compruebe la presión de los neumáticos. Mantenga la presión

entre 15 a 20 psi. Consulte en los laterales de los neumáticos la presión recomendada.

**NOTA:** Si la presión de los neumáticos no es igual en ambos neumáticos, es posible que la unidad se incline hacia un lado u otro.



**ADVERTENCIA:** La presión máxima de los neumáticos en cualquier circunstancia es de 20 psi. Se debe mantener una presión uniforme en todo momento. Una presión excesiva (superior a los 20 psi), al pisar un reborde puede causar que el montaje de neumático/ llanta explote con una fuerza suficiente como para causar lesiones graves.

# OPERACIÓN

## Controles de operación

Familiarícese con todos los controles y su operación apropiada. Vea Figura 6 y siga las descripciones que se indican debajo. Sepa cómo detener la máquina y cómo desengranar los controles rápidamente.

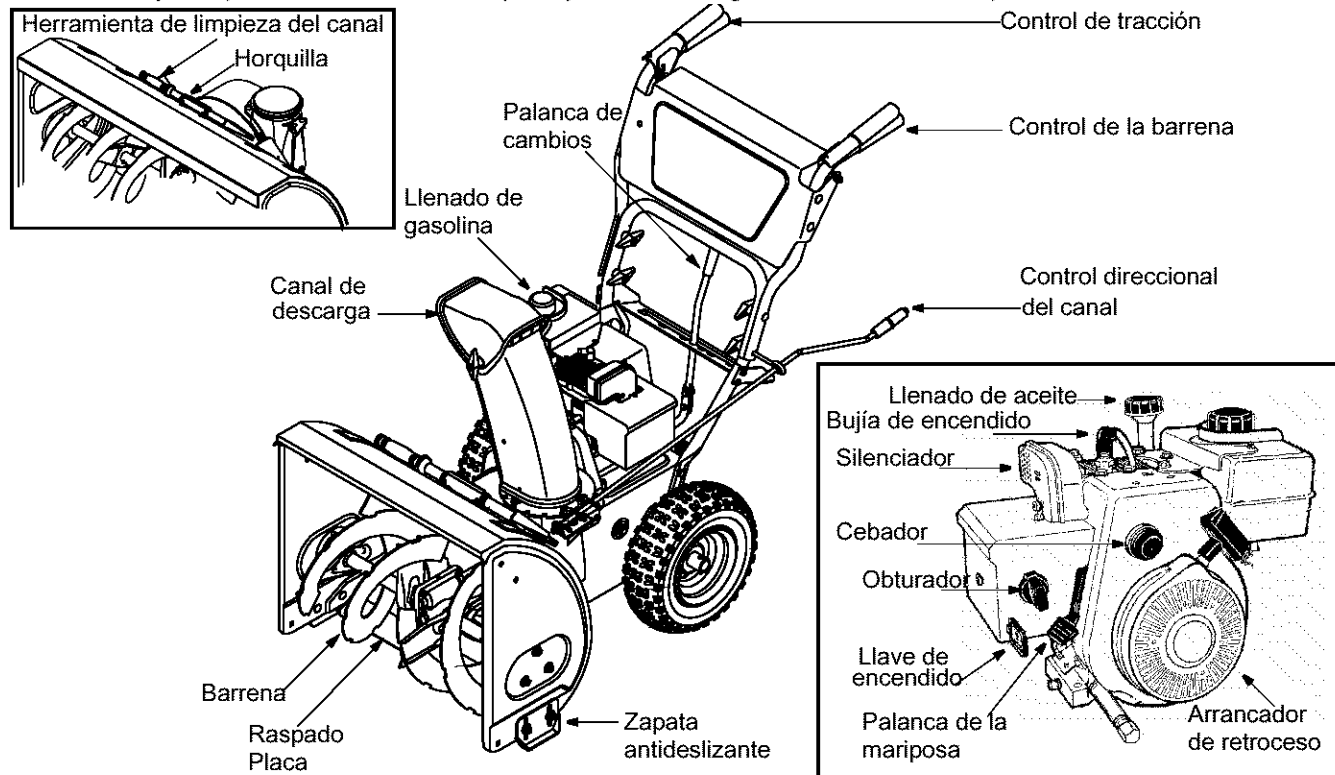


Figura 6

### Palanca de cambios

La palanca de cambios está ubicada debajo del panel de la manija. Es posible mover la palanca de cambios a siete posiciones diferentes. Deje el motor en marcha con el estrangulador en posición rápida. Use la palanca de cambios para determinar la velocidad de piso. Hay dos velocidades de avance y dos velocidades de reversa en esta máquina quitanieve. Dentro de las velocidades de avance, la posición uno (1) es la más baja y la posición cinco (5) es la más rápida. Dentro de las velocidades de reversa, R2 es la más rápida.

### Control de la barrena

El control de la barrena está ubicado en la manija izquierda. Presione la empuñadura del control de la barrena para engranar las barrenas. Suéltela para detener las barrenas.

### Control de tracción

El control de tracción está ubicado en la manija derecha. Presione la empuñadura del control de tracción para engranar la rueda de transmisión. Suéltela para que se detenga.

### Control del estrangulador

El control del regulador está ubicado en el motor. Regula la velocidad del motor.

### Control direccional del canal

El control direccional del canal está ubicado del lado izquierdo de la máquina quitanieve. Para cambiar la dirección hacia la cual se arroja la nieve, gire el control direccional del canal de la siguiente manera:

- Gire en sentido de las agujas del reloj para descargar la nieve hacia la izquierda.
- Gire en dirección contraria de las agujas del reloj para descargarla hacia la derecha.

### Herramienta de limpieza del canal

La herramienta de limpieza del canal se usa para liberar un canal de descarga tapado. Consulte la página 38 para obtener instrucciones acerca de cómo usarlo correctamente.



**ADVERTENCIA:** Nunca use su mano para liberar un canal de descarga tapado. Antes de destaparlo, apague el motor y permanezca detrás de las manijas hasta que todas las partes móviles se hayan detenido.

### Llave de encendido

La llave de encendido debe estar introducida en el interruptor antes de arrancar la unidad. Retire la llave de encendido cuando no use la máquina quitanieve. **No** gire la llave.

## Antes de encender



**ADVERTENCIA:** Lea, comprenda y siga todas las instrucciones y advertencias que aparecen en la máquina y en este manual antes de operarla.

## Llenado de aceite

1. El motor se envía sin aceite. Compruebe el nivel de aceite antes de operar. Después del uso inicial, tendrá que llenarlo hasta el nivel necesario. Tenga cuidado de no llenar en exceso.
2. **Antes de llenar de gasolina** el motor por primera vez, abra la tapa del tanque de gasolina y ubique una tapa de plástico blanco debajo. Saque y tire esta tapa.
3. El cable de la bujía fue desconectado por seguridad. Enchufe el cable de la bujía a la bujía antes de encender la máquina.

## Llenado de gasolina



**ADVERTENCIA:** La gasolina es inflamable; tenga precaución cuando la manipule o la almacene. No llene el tanque de combustible mientras la máquina quitanieve está en marcha, cuando está caliente o cuando está en un área cerrada. Evite que su máquina quitanieve entre en contacto con llamas abiertas o chispas y no fume mientras llena el tanque de combustible.

**NOTA:** Asegúrese de que el recipiente desde el cual vierte la gasolina esté limpio y sin óxido.

1. Llene el tanque de combustible sólo con gasolina para automotores sin plomo, limpia y fresca.
2. Nunca llene completamente el tanque. Llene el tanque hasta 1/4-1/2 de pulgada por debajo del tope dejando así espacio para la dilatación del combustible.
3. Siempre llene el tanque de combustible al aire libre y use un embudo o pico para evitar derramamientos.
4. Asegúrese de limpiar el combustible que se haya derramado antes de arrancar el motor.
5. Almacene la gasolina en un recipiente aprobado limpio y coloque la tapa en el recipiente.
6. Al finalizar el trabajo, vacíe el tanque de combustible si la máquina quitanieve no será utilizada durante los siguientes 30 días o más. Vea las instrucciones de almacenamiento.

## Para encender el motor

1. Conecte el cable de la bujía a la misma. Compruebe que el bucle de metal del extremo de la bujía esté bien ajustado (dentro de la manga) sobre la punta metálica de la bujía.
2. Asegúrese de que las palancas de la barrena y el embrague de transmisión estén en posición desengranada (no presionada).
3. Gire la válvula de mezcla de combustible en sentido contrario al reloj a posición ABRIR.
4. Mueva el control del estrangulador a la posición FAST (rápido). Inserte la llave de encendido en la ranura. Asegúrese de que entre a presión en su lugar. **No gire la llave.**

**NOTA:** El motor no arrancará a menos que la llave de encendido esté introducida dentro de la ranura de encendido en la tapa del carburador.

## Arrancador eléctrico



**ADVERTENCIA:** El arrancador eléctrico está equipado con un cable de alimentación y un enchufe de tres terminales conectados a tierra y está diseñado para operar con corriente doméstica de 120 voltios. Éste debe ser utilizado con un receptáculo de tres terminales correctamente conectado a tierra en todo momento para evitar la posibilidad de descargas eléctricas. Siga todas las instrucciones cuidadosamente para operar el arrancador eléctrico.

1. Determine si el cableado de su hogar es un sistema de tres cables conectado a tierra. Consulte con un electricista matriculado si no está seguro.
- **Si su sistema de cableado doméstico no es un sistema de tres terminales con conexión a tierra**, no utilice este motor eléctrico bajo ningún tipo de condiciones.
- **Si su sistema de cableado doméstico es un sistema con conexión a tierra**, pero no cuenta con un receptáculo de tres terminales, debe indicarle a un electricista con experiencia que lo instale antes de utilizar el arrancador eléctrico.
2. Rote la palanca de obturación a posición OFF (apagado).
3. Presione el cebador tres veces para cebar el motor.
4. Conecte el cable de alimentación a la caja del interruptor del motor. Enchufe el otro extremo del cable de alimentación en un receptáculo de CA con conexión a tierra de tres terminales de 120 voltios.
5. Presione el botón del arrancador para arrancar el motor con la manivela. A medida que intenta encender el motor con la manivela, mueva la perilla de obturación hacia la posición de obturación FULL. No opere el arrancador eléctrico por más de 5 segundos en cada intento.
6. Cuando se inicia el motor, suelte el botón del arrancador, y mueva el obturador gradualmente a la posición OFF (apagado). Si el motor falla, mueva el obturador inmediatamente a posición FULL y luego gradualmente a OFF.
7. Cuando desconecte el cable de alimentación, siempre desenchúfelo en primer lugar del receptáculo de tres terminales, y luego de la máquina quitanieve.

## Arrancador de retroceso

1. Rote la perilla de obturación a posición de obturación FULL (encendido con el motor en frío).
2. Si el motor está caliente, ubique el obturador en posición OFF en lugar de FULL.
3. Presione el botón del cebador dos o tres veces para iniciar el motor en frío.
4. Si el motor está caliente, presione el botón del cebador una sola vez.

**NOTA:** Siempre cubra el orificio de ventilación en el botón cebador cuando lo presiona. Tal vez sea necesario un cebado adicional para iniciar el equipo por primera vez si la temperatura es menor a 15 grados Fahrenheit.

- Tome con firmeza la manija del arrancador y tire de la soga lentamente hasta que quede un poco más tirante. Deje que la soga se enrosque lentamente.
- Tire de la manija del arrancador rápidamente. No permita que la manija se desenganche. Permita que se enrosque lentamente mientras mantiene firmemente la manija del arrancador.
- Mientras el motor se calienta y comienza a funcionar de manera pareja, rote la perilla del obturador lentamente hacia la

posición OFF. Si el motor falla, gire hacia el obturador FULL, luego mueva lentamente hacia posición OFF.

## Arrancador de retroceso congelado

Si el arrancador está congelado y no enciende el motor, proceda de la siguiente manera:

1. Saque la mayor cantidad de cuerda posible del arrancador.
2. Suelte la manija del arrancador y deje que golpee contra el arrancador.
3. Si continúa teniendo problemas para arrancar el motor, repita los dos primeros pasos. Si después de intentos sucesivos no puede liberar el arrancador, siga los procedimientos del arrancador eléctrico para arrancar.
4. Trate de evitar que el arrancador de retroceso se congele siguiendo las instrucciones de la página.

## Antes de detener la máquina

1. Deje encendido el motor durante algunos minutos para permitir que se seque la humedad en el mismo.
2. Para evitar que se congele el arrancador siga estos pasos **antes** de detener la máquina quitanieve:

### Arrancador de retroceso

- a. Con el motor en funcionamiento, tire con fuerza de la sogá del arrancador tres o cuatro veces de manera continua y seguida.

### Arrancador eléctrico

- a. Conecte el cable de alimentación a la caja del interruptor y luego al receptáculo de 120 voltios CA.
- b. Con el motor en marcha, presione el botón del arrancador y deje girar el arrancador por varios segundos.
- c. Desconecte el cable de alimentación primero del receptáculo y después de la máquina quitanieve.

**NOTA:** El ruido inusual producto de tirar de la cuerda de arranque, si se trata del arrancador de retroceso, o el que realiza el arrancador al girar, si se trata del arrancador eléctrico, no daña al motor.

## Para detener el motor

1. Mueva el control de estrangulación a posición "stop" u "off".
2. Retire la llave del encendido. **No** gire la llave.
3. Desconecte el cable de la bujía para evitar que se encienda accidentalmente mientras no se está prestando atención al equipo.

**NOTA:** No pierda la llave de encendido. Guárdela en un lugar seguro. El motor no arrancará sin la llave de encendido.

4. Limpie toda la nieve y la humedad de la tapa del carburador en el área de las palancas de control. Además, mueva las palancas de control hacia delante y hacia atrás varias veces.

## Procedimiento para engranar la transmisión

1. Con el motor en marcha y cerca de la velocidad máxima, mueva la palanca de cambios a una de las cinco posiciones AVANCE o a las dos posiciones de REVERSA. Seleccione la velocidad adecuada para el estado de la nieve existente. Use las velocidades más lentas hasta haberse familiarizado con el funcionamiento de la máquina quitanieve.
2. Apriete la empuñadura de control de la barrena y las barrenas rotarán. Suéltela y las barrenas se detendrán.
3. Apriete la empuñadura de control de tracción y la máquina quitanieve se moverá. Suéltela y se detiene la transmisión de movimiento.

4. **NUNCA** mueva la palanca de cambios sin soltar el embrague de transmisión.

## Procedimiento para engranar las barrenas

Para engranar las barrenas y comenzar a quitar la nieve, apriete la empuñadura del control de la barrena contra la manija izquierda. Suéltela para detener las barrenas.

## Consejos de operación

- Deje que el motor se caliente unos minutos ya que el mismo no desarrolla la potencia máxima hasta que alcanza la temperatura de funcionamiento.



**ADVERTENCIA:** El silenciador, el motor y las áreas circundantes se recalientan y pueden causar quemaduras. No los toque.

- Para que el quitado de la nieve sea más eficiente debe hacerlo inmediatamente después de la caída de la misma.
- En lo posible, descargue la nieve en dirección al viento. Traslape levemente las pasadas anteriores.
- Configure las zapatas antideslizantes 1/4" por debajo de la barra de raspado para un uso normal. Las zapatas antideslizantes se pueden ajustar hacia arriba cuando la nieve esté muy compactada. Ajustelas hacia abajo cuando usa la máquina en gravas o superficies con piedras trituradas.
- Asegúrese de seguir las precauciones enumeradas en la sección "Procedimiento para detener el motor" para evitar un posible congelamiento.
- Limpie cuidadosamente la máquina quitanieve después de cada uso.

## Cadenas para los neumáticos (si están incluidas)

- Las cadenas para los neumáticos, si están incluidas, deberían utilizarse siempre que se necesite tracción extra.

## Herramienta de limpieza del canal

La herramienta de limpieza del canal está ajustada convenientemente a la parte posterior de la caja de la barrena con un pasador de ensamblado. **No** use nunca las manos para limpiar un canal tapado.

1. Suelte tanto la palanca de control de la barrena como la palanca de bloqueo del control de tracción/barrena.
2. Para detener el motor saque la llave de encendido.
3. Saque la herramienta de limpieza del pasador que la ajusta a la parte posterior de la caja de la barrena. Ver Figura 6.
4. Use el extremo con forma de pala de la herramienta de limpieza para eliminar la nieve y el hielo existentes en el canal de descarga.
5. Vuelva a ajustar la herramienta de limpieza al pasador de ensamblado ubicado en la parte posterior de la caja de la barrena y vuelva a encender el motor.
6. Parado en la posición del operador (detrás de la máquina quitanieve), engrane la palanca del embrague de la barrena durante unos segundos para eliminar la nieve o el hielo que hayan quedado en el canal de descarga antes de continuar quitando la nieve.

# MANTENIMIENTO

## Recomendaciones generales

- Respete siempre las reglas de seguridad cuando realice tareas de mantenimiento.
- La garantía de esta máquina quitanieve no cubre elementos que han estado sujetos al mal uso o negligencia del operador. Para recibir el reembolso total de la garantía, el operador deberá dar mantenimiento a la máquina quitanieve como se indica en este manual.
- Siga el cronograma de mantenimiento que se presenta a continuación.

- Revise periódicamente todos los sujetadores y compruebe que estén bien ajustados.



**ADVERTENCIA:** Antes de realizar tareas de lubricación, reparación o inspección, desenganche todas las palancas del embrague y detenga el motor. Espere a que se detengan todas las piezas que se mueven. Desconecte la bujía y póngala de manera que haga masa contra el motor.

## Calendario de mantenimiento

Tareas de mant.	Antes de cada uso	Después de cada uso	Después de las 2 primeras horas de funcionamiento	Cada 25 horas de funcionamiento	Cada 50 horas de funcionamiento	Antes del almacenamiento	Fechas de los servicios
<b>Producto:</b> Lubrique los puntos de giro						✓	
Limpie el equipo		✓					
Limpie la zapata antideslizante		✓					
Compruebe las correas en V					✓		
<b>Motor:</b> Compruebe el aceite del motor	✓						
Cambie el aceite del motor			✓	✓			
Compruebe la bujía					✓	✓	
Compruebe el silenciador					✓		
Vacíe el sistema de combustible						✓	

## Lubricación

- **Ruedas:** Lubrique el interior de los cojinetes de las ruedas con aceite o con lubricante para rociar por lo menos una vez por temporada. Tire de la chaveta de trinquete, saque las ruedas, limpie y cubra los ejes con grasa automotriz para usos varios. Ver Figura 7.

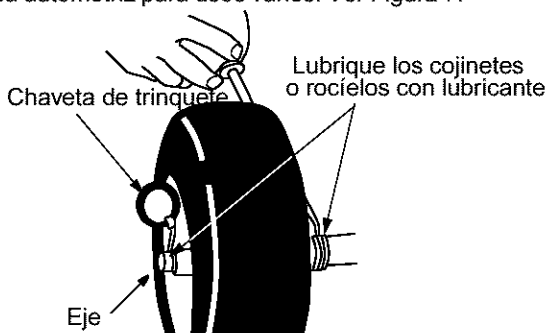


Figura 7

- **Eje de engranaje:** Lubrique el eje del engranaje con una grasa liviana multiusos apta para condiciones climáticas múltiples al menos una vez por temporada o después de 25 horas de operación. Mantenga toda la grasa y el aceite alejados de la rueda de fricción y de la placa de transmisión.

**IMPORTANTE:** Cuando lubrique el motor o drene aceite, evite derramamientos en las partes de transmisión.

- **Caja de engranajes:** La caja de engranajes helicoidales ha sido engrasada en fábrica. Si se la desensambla por cualquier razón, lubríquela con 2 onzas de grasa Shell.

**IMPORTANTE:** No sobrecargue de grasa la caja de engranajes. Se podrían dañar los sellos. Compruebe que no haya grasa en el tapón de cierre de la tubería de ventilación a fin de liberar presión.

- **Mecanismo de transmisión y desplazamiento:** Quite la cubierta posterior. Por lo menos una vez por temporada lubrique las cadenas, las ruedas dentadas, los engranajes, los cojinetes, los ejes y el mecanismo de desplazamiento. Ver Figura 8. Use aceite para motores o un lubricante para rociar. Evite los derrames de aceite sobre la rueda de fricción de caucho y sobre la placa de transmisión de aluminio.

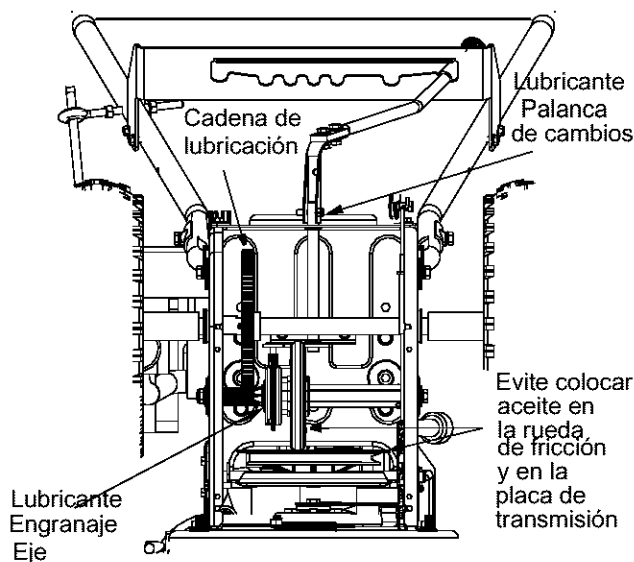


Figura 8

- **Control direccional del canal:** El engranaje helicoidal del control del canal debería ser lubricado con grasa automotor multiuso.
- **Eje de la barrena:** Al menos una vez por temporada, quite los pernos de cuchilla del eje de la barrena. Lubrique el interior del eje y de los cojinetes de la barrena con aceite o con lubricante para rociar por lo menos una vez por temporada. Ver Figura 9.

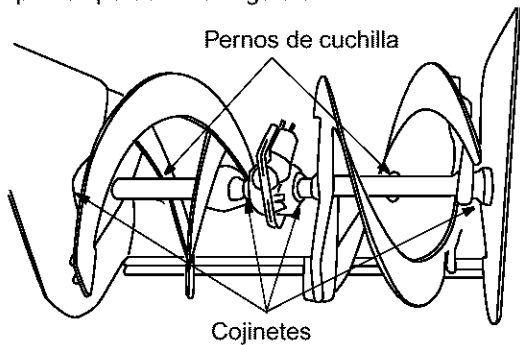


Figura 9

## Mantenimiento del motor

### Aceite del motor

Use solamente un aceite detergente de alta calidad con la clasificación de servicio API, SF, SG o SH. Seleccione el grado de viscosidad SAE del aceite según la temperatura esperada de funcionamiento:

Type d'huile	Température	Huile recommandée
Ordinaire	Au-dessus de 32°F	SAE 30W
Multi Grade	0°F à 32°F	SAE 5W30/SAE 10W
Synthétique	En dessous de 0°F	SAE 0W30

**NOTA:** Aunque los aceites de viscosidad múltiple (5W30, 10W30 etc.) mejoran el encendido cuando el clima está frío, los mismos

incrementan el consumo de aceite cuando se usan a más de 32°F. Compruebe el nivel de aceite de la máquina quitanieve con mayor frecuencia para evitar que el motor trabaje con un nivel de aceite bajo.

**IMPORTANTE:** Consulte la tabla de viscosidad para una adecuada selección del aceite para el motor. No use aceite SAE 10W40.

### Verificación del nivel de aceite

1. Antes de operar la máquina quitanieve, controle el nivel de aceite. Con el motor ubicado en suelo parejo, el aceite debe estar en la marca FULL (lleno) de la varilla del nivel de aceite.
2. Detenga el motor y espere varios minutos antes de verificar el nivel de aceite. Saque el tapón de carga de aceite y la varilla del nivel de aceite.
3. Limpie la varilla del nivel de aceite e insértela en el orificio de carga de aceite y ajústela bien.
4. Saque la varilla del nivel de aceite y contrólela. Si el aceite no llega hasta la marca FULL (lleno) de la varilla del nivel de aceite, agregue aceite.

### Cambio de aceite

Cambio de aceite del motor después de las dos primeras horas de operación y a partir de ahí cada 25 horas de operación.

Para realizar el cambio de aceite primero debe vaciar el motor del aceite usado y luego volver a llenarlo con aceite nuevo.

1. Drene el aceite mientras el motor está caliente. Saque la tapa de drenado del aceite ubicada en la base del arrancador de retroceso del motor. Junte el aceite en un recipiente adecuado.
2. Cuando se haya vaciado todo el motor de aceite, vuelva a colocar el tapón de drenado bien ajustado.
3. Saque la varilla del nivel de aceite del orificio de llenado de aceite. Vierta aceite nuevo lentamente a través del tapón. Vuelva a colocar la varilla del nivel de aceite en su lugar.
4. Controle y compruebe que el nivel de aceite esté hasta arriba en la marca FULL de la varilla del nivel del aceite. La capacidad de aceite es de 21 onzas o 0,62 litros.



**ADVERTENCIA:** La temperatura del silenciador y de las zonas cercanas puede superar 150° F(65°C). Evite esas zonas.

### Bujía de encendido

Limpie la bujía y ajuste el espacio a 0,030" al menos una vez por estación o cada 100 horas de funcionamiento. Ver Figura 10. Reemplace cuando sea necesario.

1. Limpie el área alrededor de la base de la bujía.
2. Saque e inspeccione la bujía.
3. Cambie la bujía si los electrodos están picados, quemados o la porcelana está rota. Ver Figura 10.
4. Cuando la cambie, use Champion J-8C, Autolite 356 o bujía equivalente.

**NOTA:** No lije la bujía. Se deben limpiar las bujías mediante raspado o tallado con cepillo de alambre y lavado con un solvente comercial.



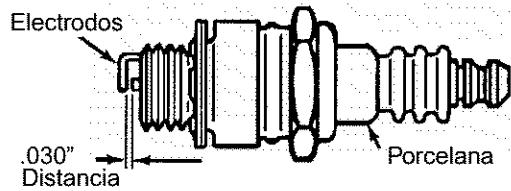


Figura 10

## Presión de los neumáticos

Mantenga la misma presión en ambos neumáticos. Para obtener más detalles, siga las instrucciones en la página 35.

## Compruebe las correas en V

Siga las instrucciones a continuación para verificar el estado de las correas de transmisión cada 50 horas de funcionamiento.

1. Saque la cubierta plástica de la correa ubicada en el frente del motor. Para ello saque los dos tornillos autoroscantes.
2. Compruebe visualmente la existencia de correas raídas, agrietadas o excesivamente gastadas.

## Compruebe la rueda de fricción

Siga las instrucciones a continuación para verificar el estado de la rueda de fricción cada 25 horas de funcionamiento.

1. Saque los seis tornillos autoroscantes de la cubierta del marco ubicada debajo de la máquina quitanieve.
2. Compruebe visualmente la rueda de fricción de caucho para detectar la existencia de desgaste excesivo, grietas o piezas sueltas en el buje de transmisión de la rueda de fricción.
3. Engrane también el control de tracción y compruebe si la rueda de fricción hace contacto con la placa de fricción. Si no hace contacto, ajuste el cable de la transmisión de movimiento y vuelva a verificar la rueda de fricción.
4. De ser necesario reemplace la goma de la rueda de fricción. Siga las instrucciones en la página 42.
5. Vuelva a colocar la cubierta del marco a la máquina quitanieve con las piezas metálicas que sacó anteriormente.

# SERVICIO Y AJUSTES



**ADVERTENCIA:** Antes de realizar tareas de mantenimiento, reparación o inspección, desenganche todas las palancas del embrague y detenga el motor. Espere a que se detengan todas las piezas que se mueven. Desconecte la bujía y póngala de manera que haga masa contra el motor.

## Servicio de la barrena

Las barrenas están ajustadas al eje espiral con dos pernos de cuchilla y tuercas hexagonales de seguridad. Ver Figura 9. Si golpea un objeto extraño o una barra de hielo, la máquina quitanieve está diseñada de manera que los pernos se cortan.

1. Si las barrenas no giran, verifique si los pernos se cortaron.
2. Reemplácelos cuando sea necesario. Junto con la máquina quitanieve se incluyen pernos de cuchilla y tuercas hexagonales de seguridad de repuesto. Cuando reemplace los pernos, rocíe un lubricante de aceite dentro del eje antes de colocar los pernos nuevos.

## Placa de raspado y zapatas antideslizantes

La placa de raspado y las zapatas antideslizantes ubicadas en la base de la máquina quitanieve están sujetas a desgaste. Periódicamente debería controlar los pernos y reemplazarlos cuando sea necesario.

1. Para retirar las zapatas antideslizantes, saque los cuatro pernos de carro, las arandelas cónicas y las tuercas hexagonales que las sujetan a la máquina quitanieve.
2. Vuelva a montar las zapatas antideslizantes nuevas con cuatros tornillos de carro, arandelas cónicas (el lado cónico va contra las zapatas antideslizantes) y las tuercas hexagonales. Ver la .

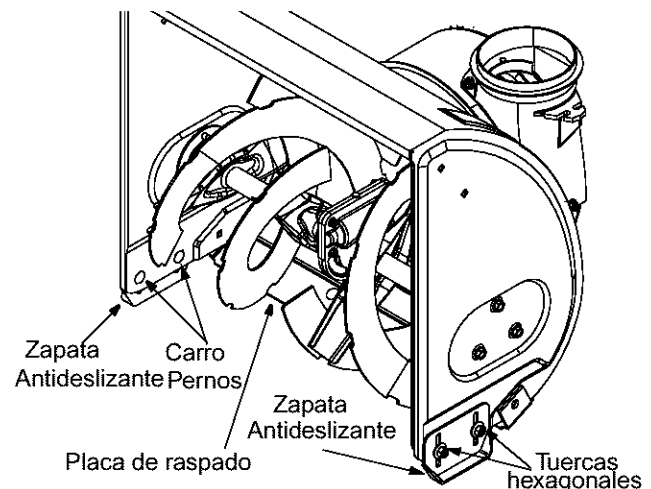


Figura 11

3. Para sacar la placa de raspado, saque los pernos de carro, las arandelas cónicas y las tuercas hexagonales que la ajustan a la caja de la máquina quitanieve. Ver . Vuelva a ensamblar la placa de raspado nueva, asegurándose de que las tapas de los pernos de carro se encuentren del lado interior de la caja. Ajústelos bien.

## Reemplazo de las correas



**ADVERTENCIA:** Desconecte la bujía y póngala de manera que haga masa contra el motor. Drene combustible a un recipiente aprobado o ubique una pieza de película plástica debajo del tapón de combustible para evitar que pierda gasolina.

## Correas de las barrenas

1. Saque la cubierta plástica de la correa ubicada en el frente del motor. Para ello saque los dos tornillos autoroscantes. Ver Figura 12.

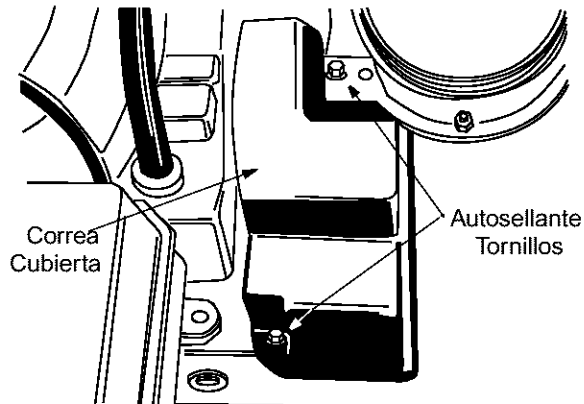


Figura 12

2. Drene gasolina de la máquina quitanieve o coloque un pedazo de plástico debajo de la tapa de gasolina. Incline la unidad hacia arriba y hacia adelante de manera que quede apoyada sobre la caja de la barrena.
3. Saque los seis tornillos autoroscantes de la cubierta del marco ubicada debajo de la máquina quitanieve.
4. Saque la correa de la barrena de la polea del motor. Ver Figura 13.

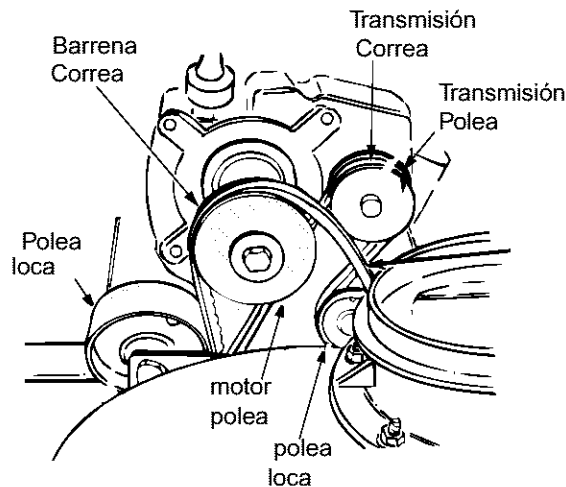


Figura 13

5. Desenganche el resorte intermedio del perno hexagonal en la caja de la barrena. Ver Figura 14.
6. Desenganche el resorte de la ménsula de soporte del marco.

**NOTA:** Es posible que deba aflojar las seis tuercas que conectan el marco a la caja de la barrena para sacar más fácilmente la correa.

7. Eleve la correa de la barrena desde la polea de la barrena y deslice la banda entre la ménsula de soporte y la polea de la barrena. Ver Figura 13.
8. Vuelva a ensamblarla con la nueva correa de transmisión de la barrena.

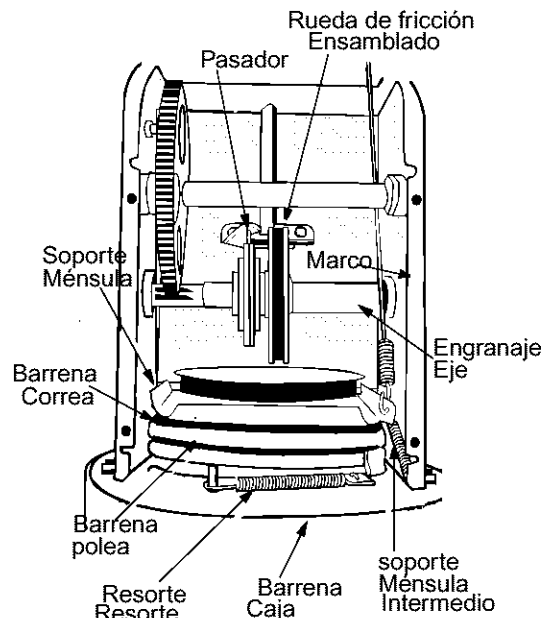


Figura 14

## Correa de transmisión

1. En primer lugar siga estos cuatro pasos de instrucciones previas.
2. Tire hacia arriba la polea loca y saque la correa de la polea del motor y el disco de la rueda de fricción. Ver Figura 13.
3. Utilizando una llave, afloje la tuerca en el perno de parada hasta que la ménsula de soporte se apoye sobre la polea de la barrena. Ver Figura 15.

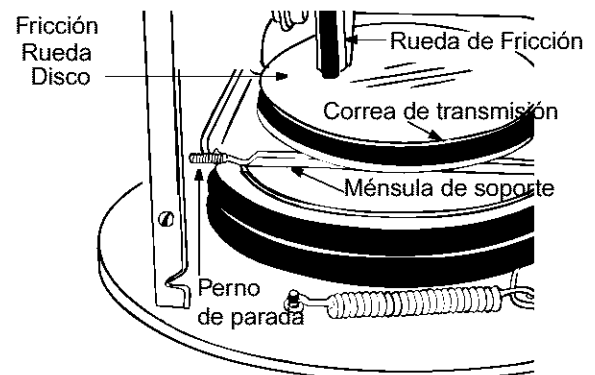


Figura 15

4. Deslice la correa entre la rueda de fricción y el disco de la rueda de fricción. Ver Figura 15. Retire y reemplace el perno. Vuelva a montarlos en orden inverso.

**NOTA:** La ménsula de soporte debe apoyarse sobre el perno de parada después de que se ha ensamblado la nueva correa. Ver Figura 15.

## Goma de la rueda de fricción

1. Reemplace la goma de la rueda de fricción si detecta la presencia de signos de desgaste o grietas.
2. Incline la máquina quitanieve hacia arriba y hacia adelante de manera que quede apoyada sobre la caja. Ver Figura 17. Saque los seis tornillos autoroscantes de la cubierta del marco ubicada debajo de la máquina quitanieve.



**ADVERTENCIA:** Desconecte la bujía y póngala de manera que haga masa contra el motor. Drene combustible a un recipiente aprobado o ubique una pieza de película plástica debajo del tapón de combustible para evitar que pierda gasolina.

3. Saque las chavetas de trinquete que sujetan las ruedas y saque las ruedas del eje.
4. Utilizando una llave allen para sostener el eje, afloje pero no quite completamente la tuerca hexagonal y la arandela de campana en el extremo izquierdo del eje del equipo.
5. Golpee suavemente la tuerca hexagonal para desplazar el cojinete de bolas del lado derecho del marco. Quite la tuerca hexagonal y la arandela de campana del extremo izquierdo del eje.
6. Deslice el eje del engranaje a la derecha y luego deslice el ensamblado de la rueda de fricción desde el eje.
7. Saque los cuatro tornillos del ensamblado de la rueda de fricción como se muestra en Figura 16. Saque la goma de la rueda de fricción de entre la placa de la rueda de fricción.
8. Vuelva a ensamblar la goma nueva de la rueda de fricción al ensamblado de la rueda de fricción, ajustando los tornillos en rotación y con la misma fuerza.
9. Deslice el ensamblado de la rueda de fricción hacia el eje del engranaje. Asegúrese de alinear la clavija en la varilla de cambio con el orificio en el ensamblado de la rueda de fricción. Ver Figura 14.
10. Vuelva a ensamblar el eje del engranaje y las ruedas. Vuelva a colocar la cubierta del marco. Baje la máquina quitanieve a su posición operativa y quite cualquier material plástico de abajo de la máquina o de alrededor de la tapa de gasolina si lo había colocado anteriormente.

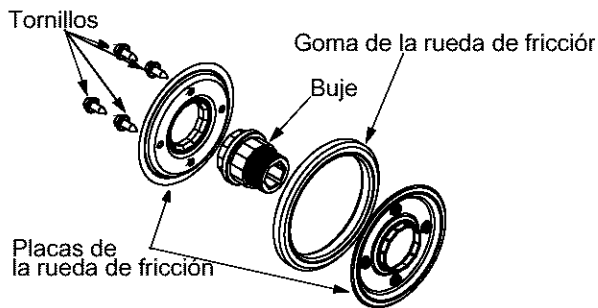
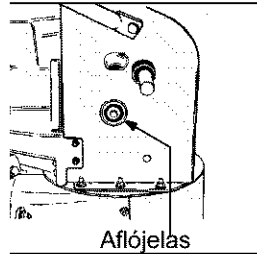


Figura 16

## Realización de ajustes



**ADVERTENCIA:** NUNCA intente realizar algún tipo de ajuste mientras el motor está encendido, excepto los ajustes especificados en el manual del operador.

### Ensamblado del canal

Es posible controlar la distancia a la cual se arroja la nieve ajustando el ángulo de la sección superior del ensamblado del canal.

### Zapata antideslizante

Se puede ajustar el espacio que existe entre la placa de raspado y el suelo. Consulte la sección de Ensamblado y Ajustes Finales en la página 34.

## Control de tracción

1. Drene gasolina y aceite del motor de la máquina quitanieve. Ubique una película plástica debajo de la tapa del gasolina si la máquina quitanieve ya ha sido operada. Incline la máquina quitanieve de manera que quede apoyada sobre la caja de la barrena. Ver Figura 17.

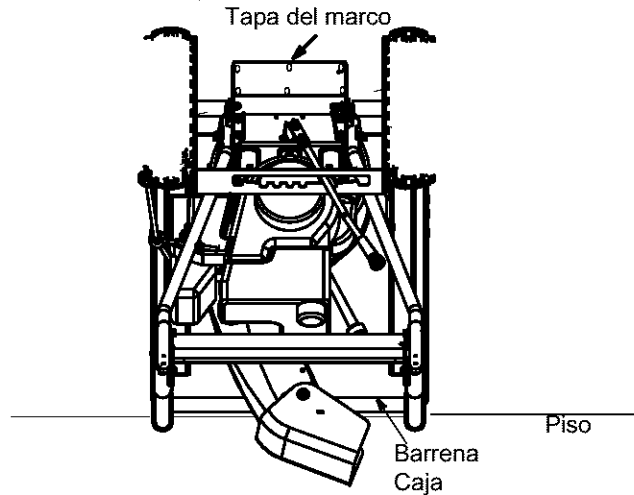


Figura 17

2. Saque el marco ubicado debajo de la máquina quitanieve quitando los seis tornillos autoroscantes. Para la ubicación de las tapas de los marcos, consulte Figura 17.
3. Una vez que soltó el control de tracción, debe existir una separación entre la rueda de fricción y la placa de transmisión en todas las posiciones de la palanca de cambios. Habiendo engranado el control de tracción, la rueda de fricción debe hacer contacto con la placa de transmisión. Ver Figura 18.
4. Si alguno de estos pasos no ocurre, es necesario realizar ajustes. Siga los pasos que se describen a continuación para ajustar el control de tracción.
5. Afloje la contratuerca en el cable de control de tracción y enrosque o desenrosque el cable según sea necesario. Ajuste la contratuerca para asegurar el cable una vez alcanzado el ajuste correcto. Vuelva a ensamblar la cubierta del marco.
6. Si anteriormente colocó plástico debajo del tapón de llenado de gasolina, asegúrese de sacarlo.

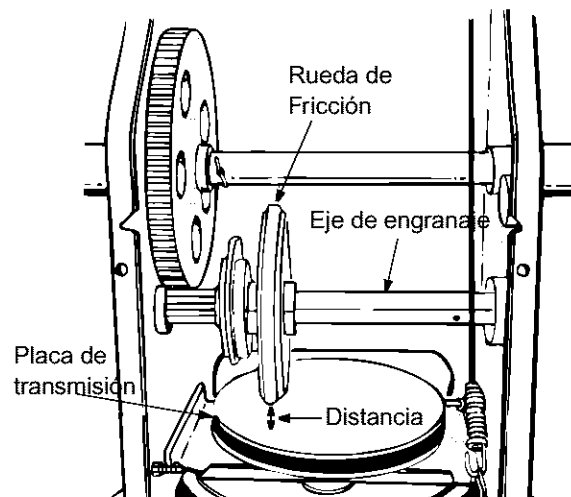


Figura 18

## Control de la barrena

Para ajustar el embrague de la barrena, consulte la sección Ensamblado y Ajustes Finales en la página 34.

## Ruedas de transmisión

Es posible ajustar las ruedas para dos métodos de operación diferentes. Siga los pasos que aparecen debajo para realizar los ajustes. Ver Figura 19.

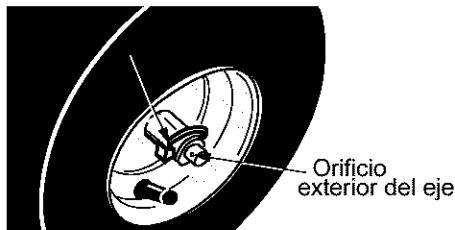


Figura 19

## Transmisión de una rueda

1. En el lado derecho de la unidad, coloque una chaveta de trinquete sólo en el orificio exterior del eje. No coloque el pasador a través del buje de la rueda. Esta posición le brinda transmisión de potencia sólo a la rueda izquierda, lo cual facilita la manipulación de la unidad.

## Transmisión en ambas ruedas

2. Rote el ensamblado de la rueda para alinear el orificio en el buje con el orificio interior en el semieje. Inserte la chaveta de trinquete en el orificio. El orificio exterior del semieje debería quedar a la vista. Ver Figura 19.

# ALMACENAMIENTO FUERA DE TEMPORADA

Si no se utilizará el equipo durante 30 días o más, o al finalizar la temporada de nieve cuando ya no existe posibilidad de que nieve, es necesario almacenar el equipo de manera adecuada.



**ADVERTENCIA:** Nunca almacene la máquina quitanieve, cuando aún tiene combustible en el tanque, en un espacio cerrado o en áreas con poca ventilación donde los gases del combustible puedan alcanzar el fuego, chispas o una luz piloto como la que tienen algunos hornos, calentadores de agua, secadores de ropa o algún otro dispositivo a gas.

1. Saque toda la gasolina del carburador y del depósito de combustible para evitar la formación de depósitos de goma dentro de los mismos que pueden dañar el motor.

**IMPORTANTE:** El combustible que se deje en el motor se deteriora cuando el clima es cálido y causa graves problemas de encendido.

**NOTA:** El uso de estabilizadores de combustible (como STA-BIL) es una alternativa aceptable para minimizar la formación de depósitos de goma de combustible durante el almacenamiento. Agregue el estabilizador a la gasolina que se encuentra en el depósito de combustible o en el recipiente de almacenamiento. Respete siempre la proporción de mezclado que figura en el recipiente del estabilizador. Ponga el motor en marcha por lo menos 10 minutos después de agregar el estabilizador para permitirle llegar al carburador. No drene el carburador si está utilizando un estabilizador de combustible.



**ADVERTENCIA:** Drene el combustible dentro de un recipiente aprobado en un lugar exterior, lejos de todo tipo de fuego. Compruebe que el motor esté frío. No fume.

2. Ponga el motor en marcha hasta vaciar el depósito de combustible y hasta que el motor se detenga debido a la falta de combustible.

3. Drene el carburador presionando hacia arriba el drenaje de la taza, ubicado debajo de la cubierta del carburador. Ver Figura 20.

**IMPORTANTE:** No drene el carburador si está utilizando un estabilizador de combustible. En el depósito de combustible no use nunca productos de limpieza para motores o carburadores o podría producir daños permanentes.

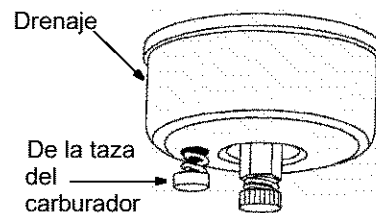


Figura 20

4. Retire la bujía y vierta (1) onza de aceite para motor a través del orificio de la bujía y hacia el interior del cilindro. Cubra el orificio de la bujía con un trapo y ponga el motor en marcha varias veces para distribuir el aceite. Reemplace la bujía.
5. Cuando almacene la máquina quitanieve en un galpón de depósito metálico o con poca ventilación, tenga especial cuidado de realizarle un tratamiento anti-oxidante al equipo. Use aceite ligero o silicón para recubrir el equipo, especialmente las cadenas, los resortes, los cojinetes y los cables.
6. Elimine todo el polvo del exterior del motor y del equipo.
7. Siga las recomendaciones de lubricación.
8. Almacene la máquina quitanieve en una zona limpia y seca.

# GUÍA PARA LA SOLUCIÓN DE PROBLEMAS

Problema	Causa	Solución
El motor no arranca	<ol style="list-style-type: none"> <li>1. El depósito de combustible está vacío o el combustible es viejo.</li> <li>2. La línea del combustible está bloqueada.</li> <li>3. La palanca de obturación no está en la posición ON (encendido).</li> <li>4. La bujía no funciona correctamente.</li> <li>5. La llave de seguridad no se encuentra en el interruptor de encendido del motor.</li> <li>6. Se ha desconectado el cable de la bujía.</li> <li>7. El botón del cebador no se está usando correctamente.</li> </ol>	<ol style="list-style-type: none"> <li>1. Llene el tanque con gasolina limpia.</li> <li>2. Limpie la línea del combustible.</li> <li>3. Ponga el interruptor en la posición ON (encendido)</li> <li>4. Límpiela, ajuste la distancia disruptiva o cámbiela.</li> <li>5. Inserte la llave totalmente dentro del interruptor.</li> <li>6. Conecte el cable de la bujía.</li> <li>7. Comuníquese con el centro de servicio Sears.</li> </ol>
El motor funciona de manera errática.	<ol style="list-style-type: none"> <li>1. La unidad está funcionando en la posición CHOKE (obturación).</li> <li>2. La línea del combustible está tapada o el mismo es viejo.</li> <li>3. Agua o suciedad en el sistema del combustible.</li> <li>4. Es necesario ajustar el carburador.</li> </ol>	<ol style="list-style-type: none"> <li>1. Cambie la palanca de obturación a la posición OFF (apagado).</li> <li>2. Limpie la línea de combustible y llene el tanque con gasolina limpia y fresca.</li> <li>3. Drene el depósito de combustible y el carburador. Vuelva a llenarlos con combustible limpio.</li> <li>4. Comuníquese con el centro de servicio Sears.</li> </ol>
Pérdida de potencia.	<ol style="list-style-type: none"> <li>1. El cable de la bujía está flojo.</li> <li>2. El orificio de ventilación del tapón de llenado del combustible está obstruido.</li> <li>3. El orificio de escape está obstruido.</li> </ol>	<ol style="list-style-type: none"> <li>1. Conecte y ajuste el cable de la bujía.</li> <li>2. Retire el hielo y la nieve del tapón de llenado del combustible. Compruebe que el orificio de ventilación no esté obstruido.</li> <li>3. Comuníquese con el centro de servicio Sears.</li> </ol>
El motor recalienta.	<ol style="list-style-type: none"> <li>1. El carburador no está ajustado correctamente.</li> </ol>	<ol style="list-style-type: none"> <li>1. Comuníquese con el centro de servicio Sears.</li> </ol>
Vibración excesiva	<ol style="list-style-type: none"> <li>1. Hay piezas que están flojas o la barrena está dañada.</li> </ol>	<ol style="list-style-type: none"> <li>1. Detenga el motor de inmediato y desconecte el cable de la bujía. Ajuste todos los pernos y las tuercas. Si continúa la vibración, la unidad debe ser revisada por un distribuidor autorizado para realizar el mantenimiento.</li> </ol>
La unidad no logra impulsarse.	<ol style="list-style-type: none"> <li>1. El cable del control de movimiento necesita un ajuste.</li> <li>2. La correa de transmisión está floja o dañada.</li> </ol>	<ol style="list-style-type: none"> <li>1. Ajuste el cable del control de movimiento. Consulte la sección de ajustes.</li> <li>2. Reemplace la correa de transmisión.</li> </ol>
La unidad no logra descargar la nieve.	<ol style="list-style-type: none"> <li>1. El canal de descarga está tapado.</li> <li>2. Hay un objeto extraño en la barrena.</li> <li>3. El cable del control de la barrena necesita un ajuste.</li> <li>4. La correa de la barrena está floja o dañada.</li> <li>5. El/los perno(s) de cuchilla están cortados.</li> </ol>	<ol style="list-style-type: none"> <li>1. Detenga el motor de inmediato y desconecte el cable de la bujía. Limpie el canal de descarga y el interior de la caja de la barrena.</li> <li>2. Detenga el motor de inmediato y desconecte el cable de la bujía. Retire el objeto de la barrena.</li> <li>3. Consulte Ajustes finales en la Sección de ensamblado.</li> <li>4. Consulte la sección de Servicio y ajustes.</li> <li>5. Reemplace el/los perno(s) de cuchilla.</li> </ol>

**NOTA:** En esta sección se analizan problemas menores de servicio. Si desea más detalles comuníquese con la línea de información de servicio de Sears al 1-800-4-MY-HOME.

# Declaración de garantía del Control de emisiones de EPA para California y Estados Unidos

La Agencia estadounidense de protección del medio ambiente ("EPA"), el Consejo de recursos aéreos de California ("CARB") y Tecumseh Products Co. se complacen en explicar la Garantía de los sistemas federales y de California para el control de emisiones de su nuevo motor pequeño todo terreno.

En California, el modelo 1995 nuevo y los últimos motores pequeños todo terreno deben estar diseñados, contruidos y equipados para cumplir con las rigurosas normas anti-smog del estado. En otros estados, el modelo 1997 nuevo y los modelos de motores de los últimos años deben estar diseñados, contruidos y equipados, al momento de la venta, de manera que cumplan con las reglamentaciones de la Agencia estadounidense de protección del medio ambiente (U.S. EPA) para los motores pequeños todo terreno. Tecumseh Products Co. garantiza el sistema de control de emisiones en este motor pequeño todo terreno por los periodos enumerados a continuación siempre que no haya habido abuso, negligencia, modificaciones no aprobadas o mantenimiento indebido de su motor pequeño todo terreno. El sistema de control de emisiones puede incluir piezas como, por ejemplo, el carburador, el sistema de encendido y el sistema de escape. También puede incluir el sistema de liberación de compresión y otros ensamblados relacionados con las emisiones. Donde exista una condición garantizable, Tecumseh Products Co. reparará su pequeño motor todo terreno sin costo alguno para usted de diagnóstico, piezas y mano de obra

## Cobertura de la garantía del sistema de control de emisiones

Los sistemas de control de emisiones del modelo 1995 y de los modelos de los últimos años de los motores pequeños todo terreno de California están garantizados por dos años como se indica a continuación. En otros estados, el modelo 1997 y los motores de los modelos de los últimos años también están garantizados por dos años. Si durante el mencionado periodo de garantía, alguna de las piezas del motor relacionadas con la emisión presentan defectos en los materiales o mano de obra Tecumseh Products Co. reparará o reemplazará dicha pieza.

## Responsabilidades del propietario en relación con la garantía

Como propietario del motor pequeño todoterreno, usted es responsable del resultado del mantenimiento requerido enumerado en su Manual del propietario pero Tecumseh Products Co. no le negará la garantía sólo debido a la falta de recibos o por su imposibilidad para suministrar evidencia escrita del resultado de todo el mantenimiento programado.

Como propietario del motor pequeño todoterreno usted debe, sin embargo, saber que Tecumseh Products Co. le puede negar la cobertura de la garantía si su motor pequeño todoterreno o una pieza el mismo han fallado debido a abuso, negligencia, mantenimiento indebido o a modificaciones no aprobadas. Usted es responsable de presentar su motor pequeño todoterreno en un Centro de servicio autorizado por Tecumseh (cualquier distribuidor de servicio registrado con Tecumseh, distribuidor de servicio autorizado por Tecumseh o el distribuidor del depósito central de Tecumseh) tan pronto como se presente el problema. Las reparaciones cubiertas por la garantía se deben terminar en un lapso razonable que no exceda de 30 días.

El servicio cubierto por la garantía se puede combinar llamando a un distribuidor de servicio autorizado por Tecumseh o contactando a Tecumseh Products Co., c/o Service Manager, Engine and Transmission Group Service Division, 900 North Street, Grafton, WI 53024-1499. Teléfono 1-262-377-2700 [o en Estados Unidos/Canadá llame al 1-800-558-5402] o consulte las páginas amarillas telefónicas locales en la sección "Motores, gasolina" por el nombre, domicilio y número de teléfono de un distribuidor de servicio autorizado por Tecumseh de su zona.

## Nota importante

Esta declaración de garantía le explica sus derechos y obligaciones según la Garantía del sistema de control de emisiones (Garantía ECS) que le suministra Tecumseh Products Co. en cumplimiento de la ley del estado de California. Tecumseh Products Co. también le entrega a los compradores originales de motores nuevos de

Tecumseh Products Co. las Garantías limitadas de Tecumseh Products Co. para los motores y los módulos de encendido electrónico nuevos de Tecumseh ("Garantía de Tecumseh Products Co.") que se adjuntan en una hoja por separado con todos los motores Tecumseh Products Co. nuevos.

La Garantía ESC se aplica sólo al sistema de control de emisiones de su motor nuevo. Su alcance es tal que de surgir un conflicto entre las condiciones de la Garantía ECS y la Garantía de Tecumseh Products Co., se aplica la primera excepto en los casos en que la Garantía de Tecumseh Products Co. brinde un periodo de garantía más prolongado. Tanto la Garantía ECS como la Garantía de Tecumseh Products Co. describen derechos y obligaciones importantes en relación con su motor nuevo.

El servicio cubierto por la garantía sólo puede ser prestado por un distribuidor de servicio autorizado por Tecumseh Products Co. Al momento de solicitar el servicio de la garantía, debe presentar evidencia de la fecha de venta al comprador original. El comprador pagará todos los gastos relacionados con los llamados para el servicio y /o de transporte de los productos desde y hacia el lugar donde se realizará la inspección y /o el trabajo cubierto por la garantía. El comprador es responsable por todos los daños o pérdidas incurridos en relación con el transporte de cualquier motor o de cualquier pieza presentados para inspección y /o para el trabajo cubierto por la garantía.

Si tiene preguntas relacionadas con los derechos y responsabilidades de la garantía debe comunicarse con Tecumseh Products Co. al 1-262-377-2700 o en Estados Unidos/Canadá llame al 1-800-558-5402.

## Garantía del sistema de control de emisiones

Garantía del sistema de control de emisiones (Garantía ECS) para el modelo 1995 y los modelos de los últimos años de los motores pequeños todoterreno de California (para otros estados, los motores modelo 1997 y los de los últimos años):

**A. APLICABILIDAD:** La presente garantía se aplicará para el modelo 1995 y los modelos de los últimos años de los motores pequeños todoterreno de California (para otros estados, los motores modelo 1997 y los de los últimos años). El Periodo de la Garantía del sistema de control de emisiones (Garantía ECS) comienza en la fecha en que los motores o equipos nuevos son enviados a su comprador original, final y se extiende a partir de la misma durante 24 meses consecutivos.

**B. COBERTURA DE LA GARANTÍA DE EMISIONES GENERALES:** Tecumseh Products Co. le garantiza al comprador original, final de motores o equipos nuevos y a todos los compradores subsiguientes que sus motores pequeños todoterreno están:

1. Diseñados, contruidos y equipados para cumplir con todas las reglamentaciones aplicables adoptadas por el Consejo de recursos aéreos según lo que manda en los Capítulos 1 y 2, Inciso 5, Subinciso 26 del Código de salud y seguridad (Health and Safety Code), y
2. Libre de defectos en los materiales y mano de obra, los cuales, en cualquier momento durante el Periodo de la Garantía del sistema de control de emisiones (Garantía ECS) causen que una pieza garantizada relacionada con las emisiones no sea idéntica en todos los aspectos materiales a la descripción de la misma incluida en la solicitud de certificación del fabricante del motor.

**C. La Garantía del sistema de control de emisiones (Garantía ECS) sólo corresponde a las piezas de su motor relacionadas con las emisiones, como se indica a continuación:**

1. Todas las piezas garantizadas relacionadas con las emisiones cuyo reemplazo no esté programado según los requerimientos de mantenimiento del Manual del propietario serán garantizadas durante el Periodo de la Garantía del sistema de control de emisiones (Garantía ECS). Si alguna de las piezas mencionadas falla durante el Periodo de la Garantía del sistema de control de emisiones (Garantía ECS), será reparada o reemplazada por

Tecumseh Products Co. en cumplimiento del inciso 4 siguiente. Todas las piezas mencionadas reparadas o reemplazadas según la Garantía del sistema de control de emisiones (Garantía ECS) serán garantizadas por todo el resto del Período de la Garantía del sistema de control de emisiones (Garantía ECS).

2. Todas las piezas garantizadas relacionadas con las emisiones que estén programadas para su inspección normal según lo determina el Manual del propietario serán garantizadas durante el Período de la Garantía del sistema de control de emisiones (Garantía ECS). Una declaración en dichas instrucciones escritas al efecto de "reparar o reemplazar según resulte necesario", no reducirá el Período de la Garantía del sistema de control de emisiones (Garantía ECS) Cualquiera de esas piezas reparadas o reemplazadas según la Garantía del sistema de control de emisiones

serán garantizadas por el resto del Período de la Garantía del sistema de control de emisiones (Garantía ECS).

3. Todas las piezas garantizadas relacionadas con las emisiones que estén programadas para su reemplazo para cumplir con los requisitos de mantenimiento del Manual del propietario serán garantizadas por el período anterior al primer reemplazo programado para dicha pieza. Si la pieza falla antes del primer reemplazo programado, la misma será reparada o reemplazada por Tecumseh Products Co. en cumplimiento del inciso 4 siguiente. Todas esas piezas relacionadas con las emisiones reparadas o reemplazadas según la Garantía del sistema de control de emisiones (Garantía ECS), serán garantizadas por el resto del Período de la Garantía del sistema de control de emisiones (Garantía ECS) anterior al primer reemplazo programado para dicha pieza.

4. La reparación o reemplazo de todas las piezas garantizadas relacionadas con las emisiones de acuerdo con la presente Garantía del sistema de control de emisiones (Garantía ECS) serán realizados sin costo para el propietario en un Centro autorizado de servicio de Tecumseh.

5. Al propietario no se le cobrará el trabajo de diagnóstico, el cual determina si una pieza cubierta por la Garantía del sistema de control de emisiones (Garantía ECS) es de hecho defectuosa, siempre que dicho trabajo de diagnóstico sea realizado en un Centro autorizado de servicio de Tecumseh.

6. Tecumseh Products Co. es responsable por los daños a otras piezas originales del motor o por las modificaciones aprobadas causados directamente por una falla durante la garantía de una pieza relacionada con las emisiones que esté cubierta por la garantía

Garantía del sistema de control de emisiones (Garantía ECS).

7. Durante todo el Período de la Garantía del sistema de control de emisiones (Garantía ECS), Tecumseh Products Co. mantendrá un abastecimiento de piezas garantizadas relacionadas con las emisiones que sea suficiente para satisfacer la demanda esperada de dichas piezas.

8. Todas las piezas de reemplazo relacionadas con las emisiones autorizadas y aprobadas por Tecumseh Products Co. se pueden usar para llevar a cabo el mantenimiento o las reparaciones cubiertos por la Garantía del sistema de control de emisiones (Garantía ECS) y serán suministradas al propietario sin cargo. Dicho uso no reducirá las obligaciones de Tecumseh Products Co. en relación con la Garantía del sistema de control de emisiones (Garantía ECS).

9. Las piezas incorporadas o modificadas no aprobadas no se pueden usar para modificar o reparar un motor de Tecumseh Products Co.. Dicho uso anula esta Garantía del sistema de control de emisiones (Garantía ECS) y es causal suficiente para rechazar un reclamo relacionado con dicha garantía. Tecumseh Products Co. no es responsable por el presente documento por las fallas de cualquier pieza garantizada de un motor Tecumseh Products Co. causadas por el uso de dichas piezas incorporadas o modificadas no aprobadas.

**Las piezas relacionadas con las emisiones incluyen las siguientes:**

1. El ensamblado del carburador y sus piezas interiores
  - a. Filtro de combustible
  - b. Juntas obturadoras del carburador
  - c. Tubo de toma
2. Montaje del depurador de aire
  - a. Componente del depurador de aire
3. Sistema de encendido, incluido:
  - a. Bujía de encendido
  - b. Módulo de encendido
  - c. Ensamblado del volante
4. Silenciador catalítico (si está incluido)
  - a. Junta obturadora del silenciador (si está incluida)
  - b. Colector de escape (si está incluido)
5. Ensamblado del respiradero del cárter y sus piezas
  - a. Tubo de conexión del respiradero

# Get it fixed, at your home or ours!

## Your Home

For repair – **in your home** – of **all** major brand appliances, lawn and garden equipment, or heating and cooling systems, **no matter who made it, no matter who sold it!**

For the replacement parts, accessories and owner's manuals that you need to do-it-yourself.

For Sears professional installation of home appliances and items like garage door openers and water heaters.

**1-800-4-MY-HOME®** (1-800-469-4663)

Call anytime, day or night (U.S.A. and Canada)

[www.sears.com](http://www.sears.com)    [www.sears.ca](http://www.sears.ca)

---

## Our Home

For repair of carry-in items like vacuums, lawn equipment, and electronics, call or go on-line for the location of your nearest **Sears Parts & Repair Center.**

**1-800-488-1222**

Call anytime, day or night (U.S.A. only)

[www.sears.com](http://www.sears.com)

---

To purchase a protection agreement (U.S.A.) or maintenance agreement (Canada) on a product serviced by Sears:

**1-800-827-6655** (U.S.A.)

**1-800-361-6665** (Canada)

---

Para pedir servicio de reparación a domicilio, y para ordenar piezas:

**1-888-SU-HOGAR<sup>SM</sup>**

(1-888-784-6427)

Au Canada pour service en français:

**1-800-LE-FOYER<sup>MC</sup>**

(1-800-533-6937)

[www.sears.ca](http://www.sears.ca)

# SEARS

© Registered Trademark / <sup>TM</sup> Trademark / <sup>SM</sup> Service Mark of Sears, Roebuck and Co.

© Marca Registrada / <sup>TM</sup> Marca de Fábrica / <sup>SM</sup> Marca de Servicio de Sears, Roebuck and Co.

<sup>MC</sup> Marque de commerce / <sup>MD</sup> Marque déposée de Sears, Roebuck and Co.

© Sears, Roebuck and Co.



# LITERATURE - LIS COVERSHEET

	Total Pages:		<u>Supersede</u>
	Total Models:		Paper doc:
	# Notes:		Pdf doc:

Workflow - LITERATURE <u>L Aug 03</u>			<i>Initial and Date each section below as it is completed:</i>			
Received	Batched	Scanned	TA	Index	QA/IE	Exported
<u>8-12E</u>	<u>8-12</u>					
BATCH NUMBER:	<b>L0308228</b>					DBQA

## FIGURE PROPERTIES

Title:	<u>Owner's Manual - Snow Thrower</u>					
Chassis:						
Prod Type:	<u>1507200</u>					
Doc Type:	SERVM <input type="checkbox"/>	OWNM <input checked="" type="checkbox"/>	REFER <input type="checkbox"/>	TECHM <input type="checkbox"/>	INSTL <input type="checkbox"/>	<input type="checkbox"/>
Doc Class Code:	WARM <input checked="" type="checkbox"/>	HOT <input type="checkbox"/>				
Date Received:	<u>8-12-03</u>					
Date Published:	<u>7-1-03</u>					
Publication #:	<u>770-10433F</u>					
Pricing - Div:	N/A					
Pricing - Source:	N/A					

## MODEL INFORMATION

MODEL NUMBERS:	<u>247886640</u>			
Type:	REG <input checked="" type="checkbox"/>		REG <input type="checkbox"/>	
Mfr. Class:	STD <input type="checkbox"/>	SBP <input checked="" type="checkbox"/>	STD <input type="checkbox"/>	SBP <input type="checkbox"/>
Status:	ACTIVE <input checked="" type="checkbox"/>	NPA <input type="checkbox"/>	ACTIVE <input type="checkbox"/>	NPA <input type="checkbox"/>
Brand #:	<u>0247</u>			

Comments:

## Free Manuals Download Website

<http://myh66.com>

<http://usermanuals.us>

<http://www.somanuals.com>

<http://www.4manuals.cc>

<http://www.manual-lib.com>

<http://www.404manual.com>

<http://www.luxmanual.com>

<http://aubethermostatmanual.com>

Golf course search by state

<http://golfingnear.com>

Email search by domain

<http://emailbydomain.com>

Auto manuals search

<http://auto.somanuals.com>

TV manuals search

<http://tv.somanuals.com>