

**REPAIR PARTS MANUAL
MODEL NUMBER 253560**

1350 Series B&S Engine

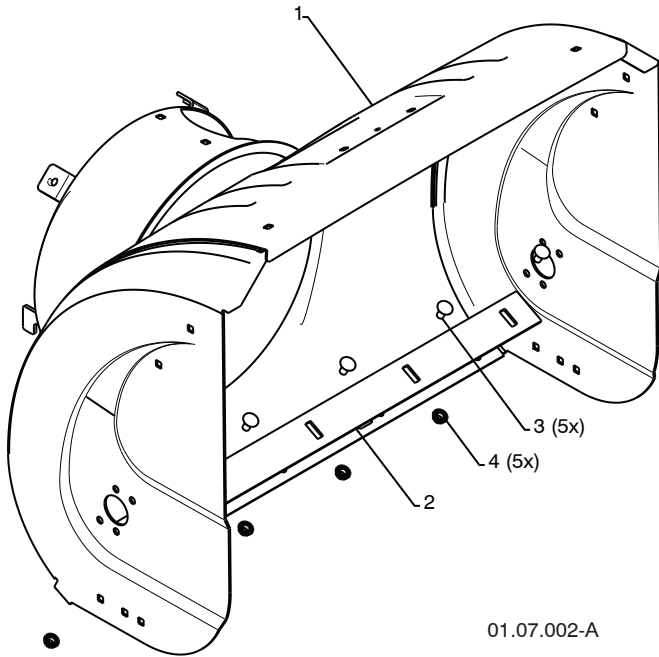
**27" Two-Stage Power-Propelled
SNOW THROWER**



REPAIR PARTS

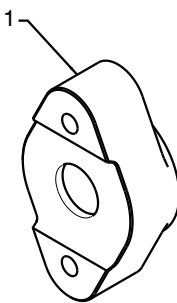
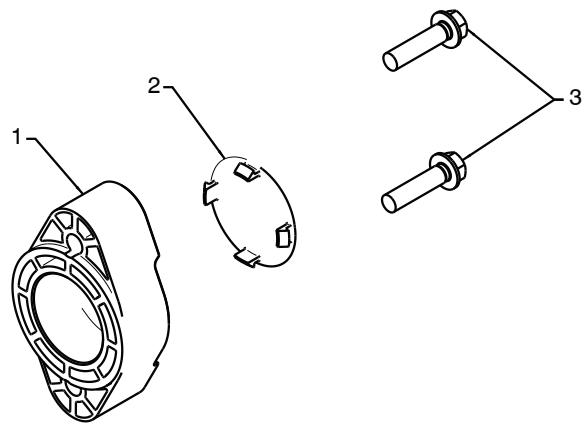
CRAFTSMAN SNOW THROWER - MODEL NO. 253560

AUGER HOUSING / IMPELLER ASSEMBLY



01.07.002-A

KEY NO.	PART NO.	DESCRIPTION
1	404929X615	AUGER HOUSING 27
2	404932X479	SCRAPER BAR
3	72270505	CARRIAGE BOLT 5/16-18 X .625
4	155377	NUT 5/16-18



01.07.024-B

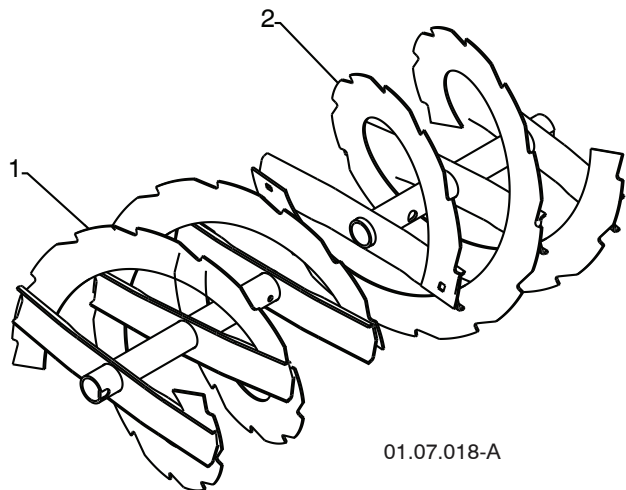
KEY NO.	PART NO.	DESCRIPTION
1	420478	AUGER BEARING
2	411939	BEARING PLUG
3	179582	SCREW 5/16-18 X 1.00

NOTE: All component dimensions given in U.S. inches. 1 inch = 25.4 mm
IMPORTANT: Use only Original Equipment Manufacturer (O.E.M.) replacement parts.
 Failure to do so could be hazardous, damage your snow thrower and void your warranty.

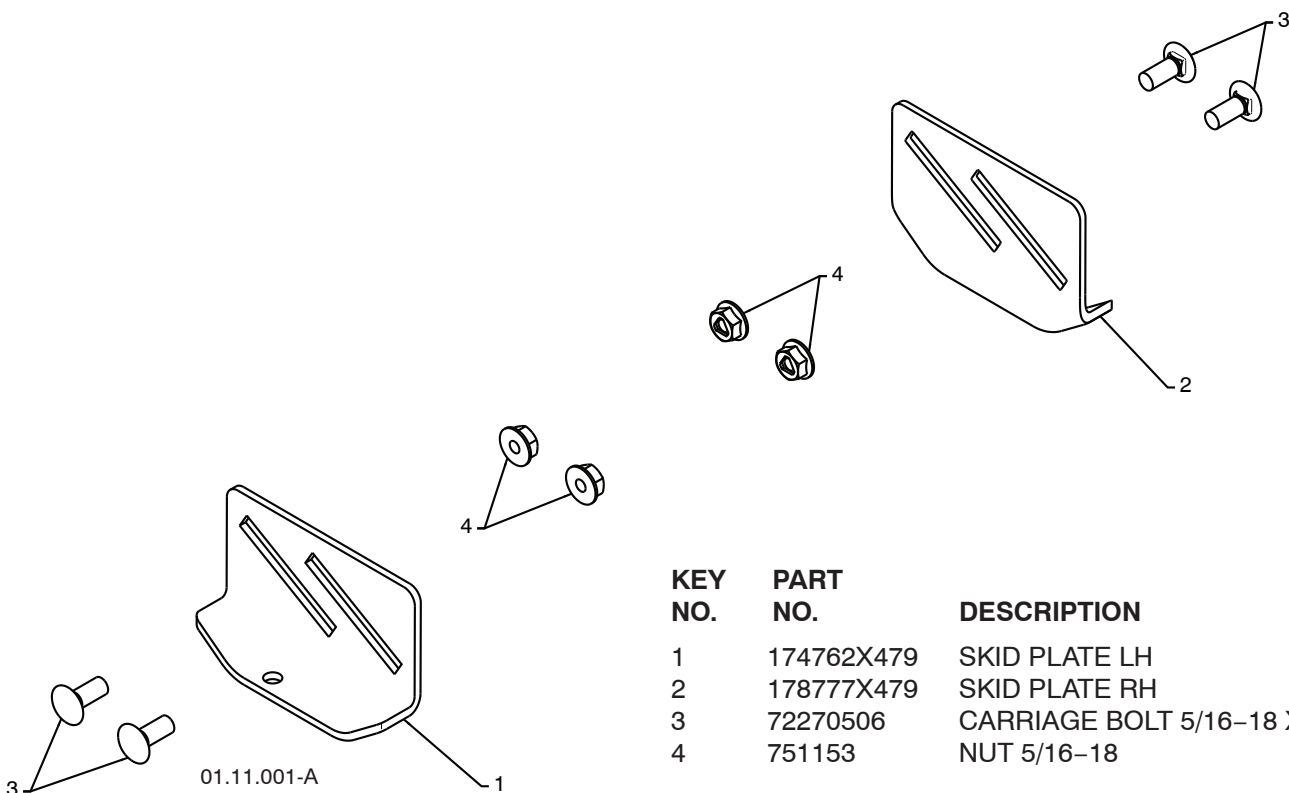
REPAIR PARTS

CRAFTSMAN SNOW THROWER - MODEL NO. 253560

AUGER HOUSING / IMPELLER ASSEMBLY



KEY NO.	PART NO.	DESCRIPTION
1	420495X479	AUGER 27 LH
2	420496X479	AUGER 27 RH



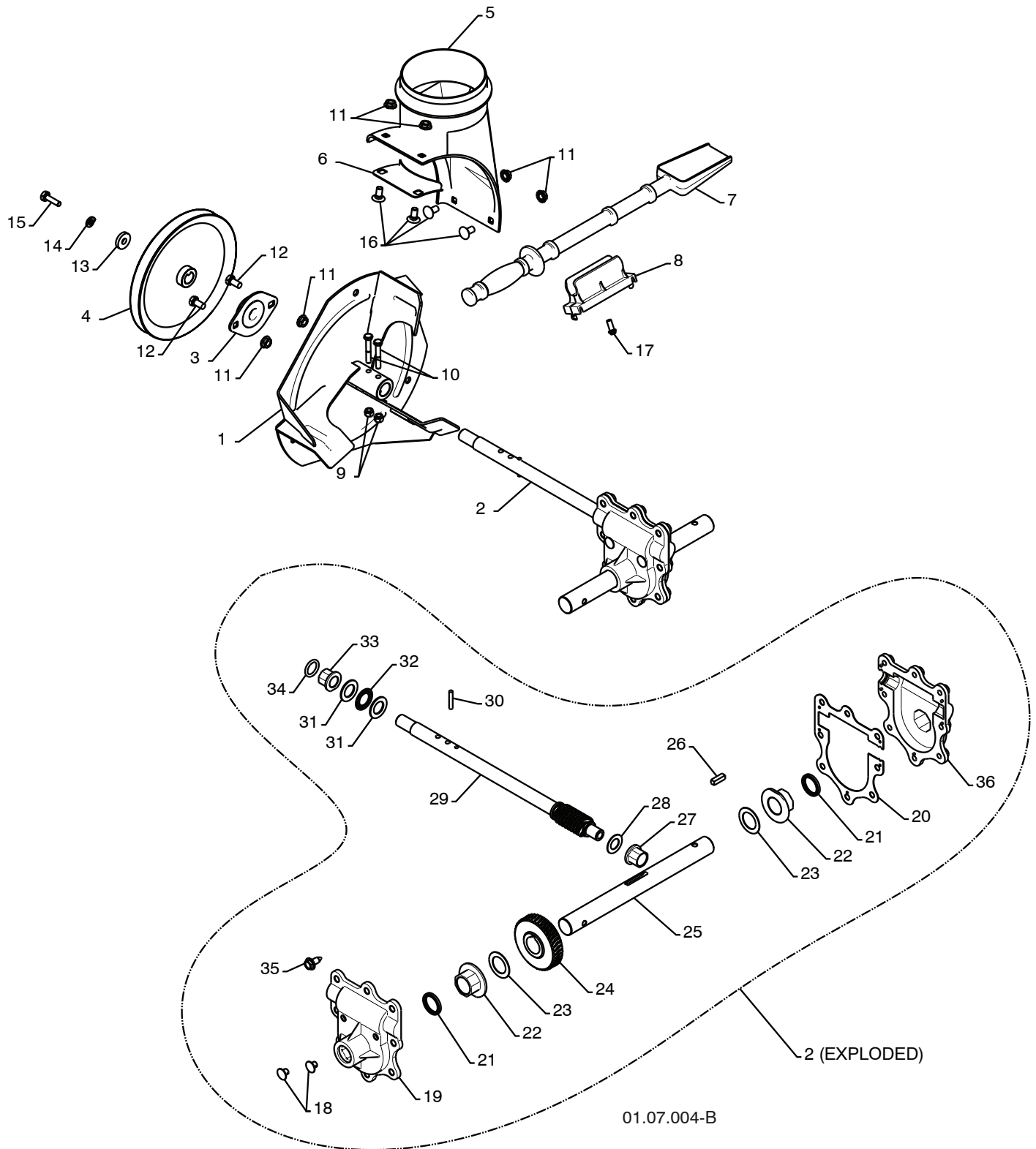
KEY NO.	PART NO.	DESCRIPTION
1	174762X479	SKID PLATE LH
2	178777X479	SKID PLATE RH
3	72270506	CARRIAGE BOLT 5/16-18 X .75
4	751153	NUT 5/16-18

NOTE: All component dimensions given in U.S. inches. 1 inch = 25.4 mm
IMPORTANT: Use only Original Equipment Manufacturer (O.E.M.) replacement parts.
 Failure to do so could be hazardous, damage your snow thrower and void your warranty.

REPAIR PARTS

CRAFTSMAN SNOW THROWER - MODEL NO. 253560

AUGER HOUSING / IMPELLER ASSEMBLY



NOTE: All component dimensions given in U.S. inches. 1 inch = 25.4 mm
IMPORTANT: Use only Original Equipment Manufacturer (O.E.M.) replacement parts.
 Failure to do so could be hazardous, damage your snow thrower and void your warranty.

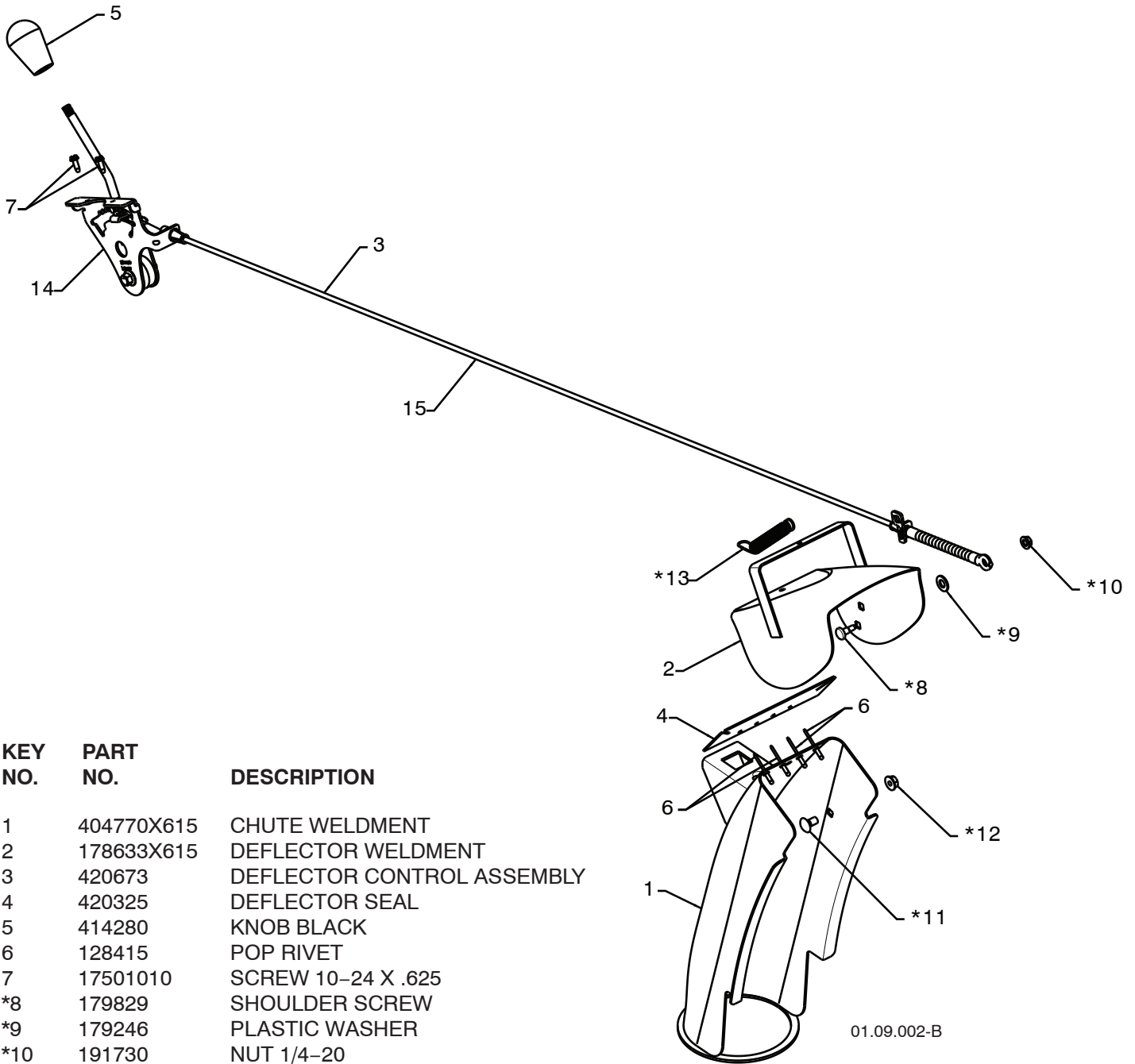
REPAIR PARTS CRAFTSMAN SNOW THROWER - MODEL NO. 253560
AUGER HOUSING / IMPELLER ASSEMBLY

KEY NO.	PART NO.	DESCRIPTION
1	175321X479	IMPELLER
2	196710	GEARBOX ASSEMBLY
3	188909	BEARING
4	191079	IMPELLER PULLEY
5	175322	DISCHARGE BASE
6	178675X008	CORNER BRACKET
7	192199	CLEAN OUT TOOL
8	405400	TOOL CLIP
9	73800400	NUT 1/4-20
10	74780426	SCREW 1/4-20 X .625
11	155377	NUT 5/16-18
12	163183	SCREW 5/16-18 X .625
13	19111507	WASHER
14	10040500	LOCKWASHER 5/16
15	74940516	SCREW 5/16-18 X 1.00
16	180355	CARRIAGE BOLT
17	194189	SCREW 13-16 X .625
18	407760	PLUG
19	407761	GEARBOX COVER RH
20	407766	GASKET
21	407770	SEAL
22	407762	BEARING
23	174697	THRUST WASHER 1.00
24	407763	WORM GEAR
25	407764	AUGER SHAFT
26	189282	SQUARE KEY
27	407758	BEARING
28	174683	THRUST WASHER
29	407757	IMPELLER SHAFT
30	7836M	ROLL PIN
31	174681	THRUST WASHER
32	174684	THRUST BEARING
33	407769	BEARING
34	407768	O-RING
35	407767	SCREW 5/16-18 X .750
36	407765	GEARBOX COVER LH

NOTE: All component dimensions given in U.S. inches. 1 inch = 25.4 mm
IMPORTANT: Use only Original Equipment Manufacturer (O.E.M.) replacement parts.
 Failure to do so could be hazardous, damage your snow thrower and void your warranty.

REPAIR PARTS CRAFTSMAN SNOW THROWER - MODEL NO. 253560

CONTROL PANEL / DISCHARGE CHUTE



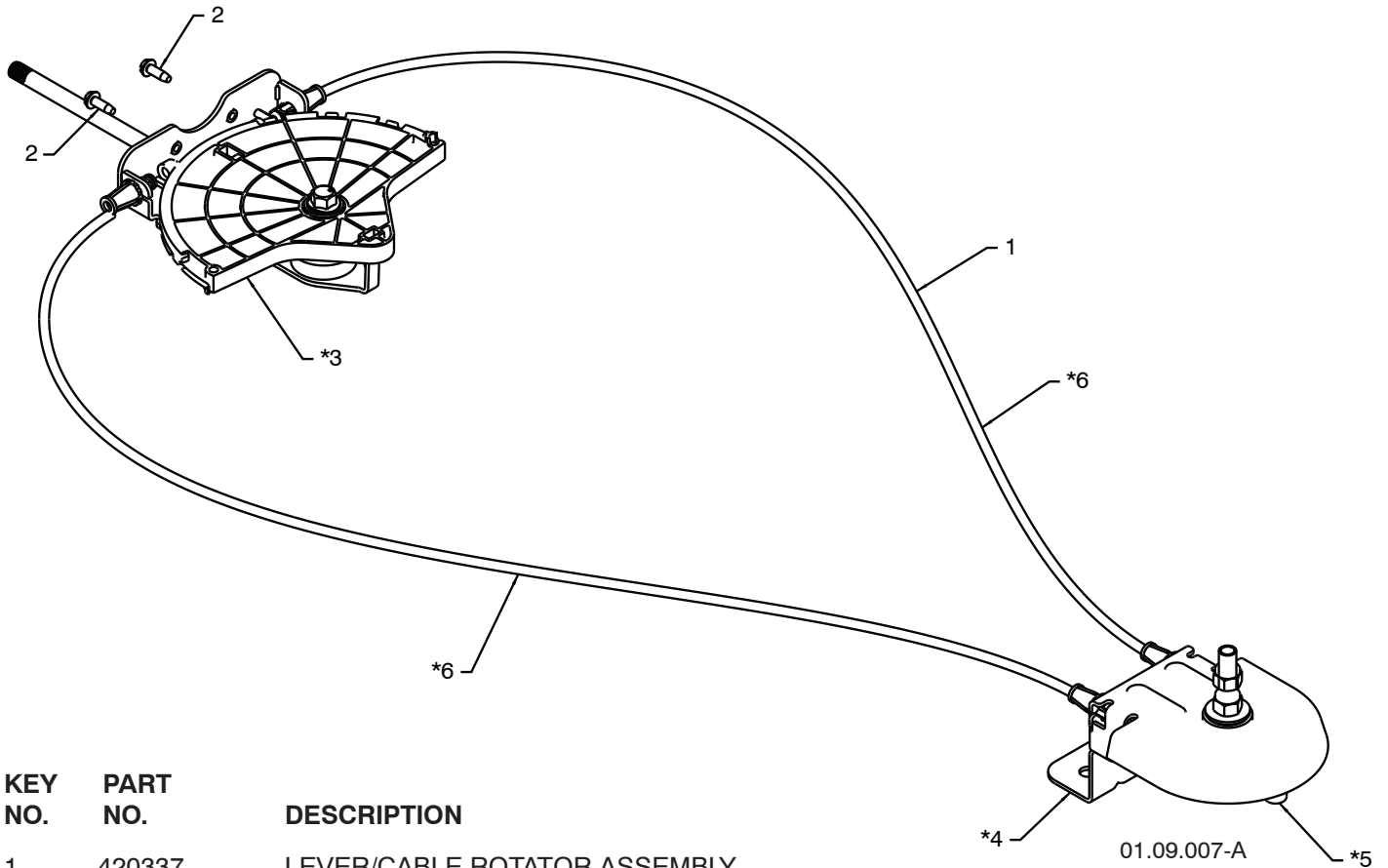
KEY NO.	PART NO.	DESCRIPTION
1	404770X615	CHUTE WELDMENT
2	178633X615	DEFLECTOR WELDMENT
3	420673	DEFLECTOR CONTROL ASSEMBLY
4	420325	DEFLECTOR SEAL
5	414280	KNOB BLACK
6	128415	POP RIVET
7	17501010	SCREW 10-24 X .625
*8	179829	SHOULDER SCREW
*9	179246	PLASTIC WASHER
*10	191730	NUT 1/4-20
*11	72250505	CARRIAGE BOLT 5/16-18 X .50
*12	751153	NUT 5/16-18
*13	184505	DEFLECTOR SPRING
14	420679	(SERVICE PART) DEFLECTOR CONTROL HEAD
15	420672	(SERVICE PART) DEFLECTOR CONTROL CABLE

NOTE:

1. ALL ITEMS INDICATED WITH AN * ARE PROVIDED IN THE BAG OF ITEMS SHIPPED LOOSE WITH PRODUCT.
2. ITEMS 14 AND 15 ARE SERVICE PART NUMBERS TO ALLOW PURCHASE OF INDIVIDUAL ITEMS IF NECESSARY.

NOTE: All component dimensions given in U.S. inches. 1 inch = 25.4 mm
IMPORTANT: Use only Original Equipment Manufacturer (O.E.M.) replacement parts.
 Failure to do so could be hazardous, damage your snow thrower and void your warranty.

REPAIR PARTS CRAFTSMAN SNOW THROWER - MODEL NO. 253560
CONTROL PANEL / DISCHARGE CHUTE



KEY NO.	PART NO.	DESCRIPTION
1	420337	LEVER/CABLE ROTATOR ASSEMBLY
2	17501010	SCREW 10-24 X .625
*3	420678	ROTATOR HEAD
*4	420677	ROTATOR PIVOT BRACKET
*5	420675	PULLEY PIVOT
*6	420674	CABLE ASSEMBLY

NOTES:

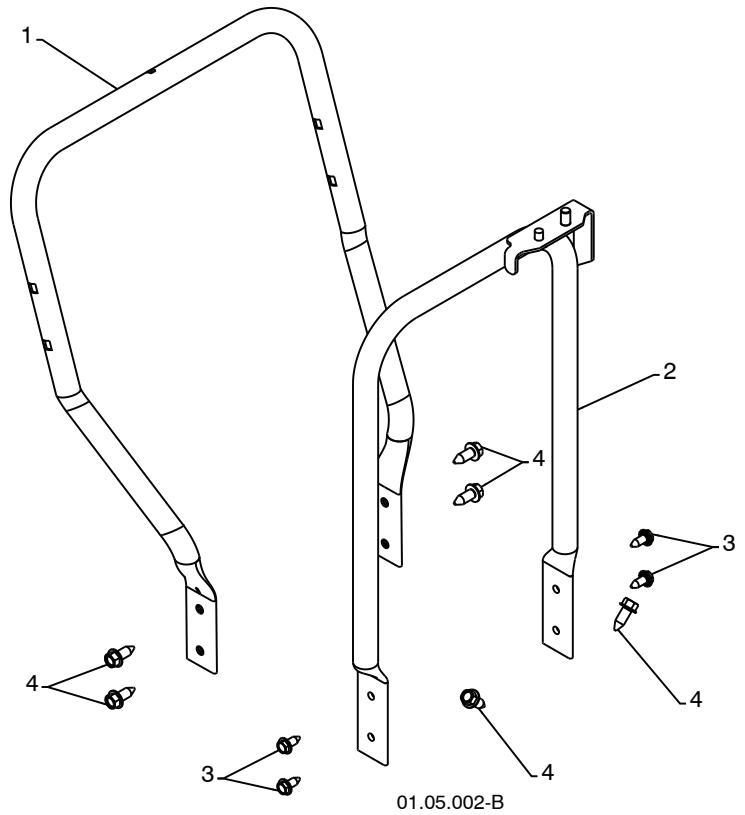
1. ITEMS INDICATED WITH AN * ARE LISTED AS REFERENCE FOR SERVICE PARTS ONLY.

NOTE: All component dimensions given in U.S. inches. 1 inch = 25.4 mm
IMPORTANT: Use only Original Equipment Manufacturer (O.E.M.) replacement parts.
 Failure to do so could be hazardous, damage your snow thrower and void your warranty.

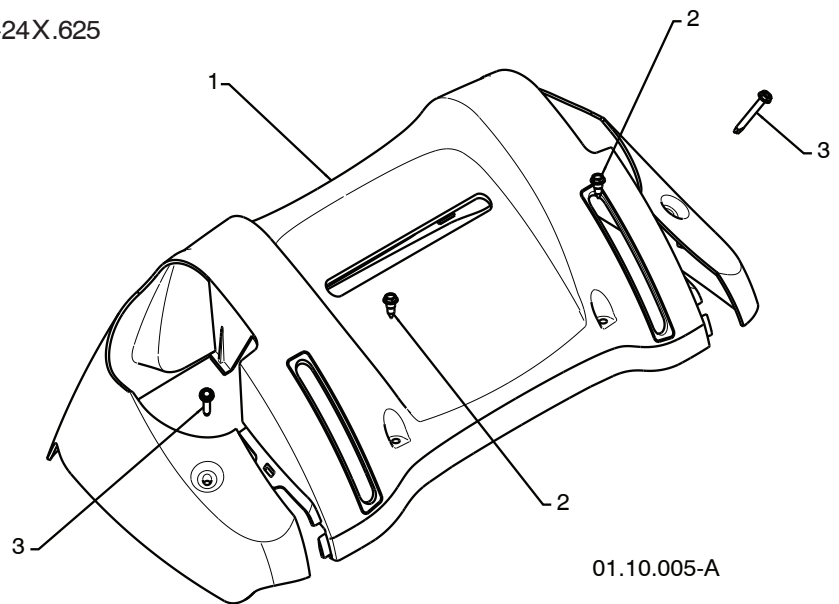
REPAIR PARTS HANDLES

CRAFTSMAN SNOW THROWER - MODEL NO. 253560

KEY NO.	PART NO.	DESCRIPTION
1	419797X479	LOWER HANDLE
2	405784X479	PIVOT SUPPORT WELDMNT
3	150078	SCREW 5/16-18 X .750
4	17000616	SCREW 3/8-16 X 1.00



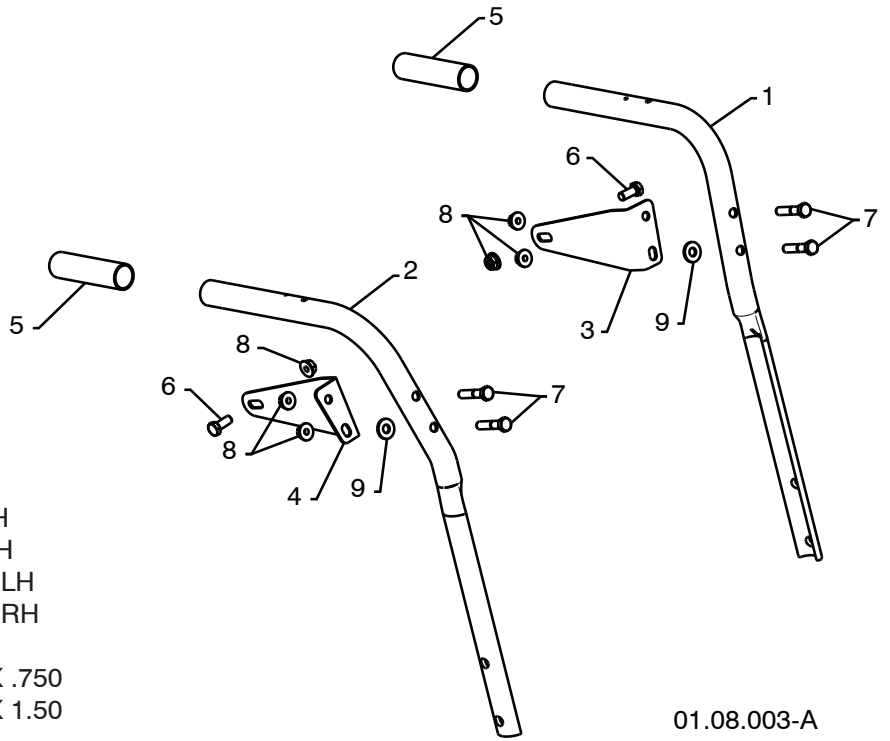
KEY NO.	PART NO.	DESCRIPTION
1	183351	CONSOLE PANEL
2	184471	SHOULDER SCREW 10-24 X .625
3	175262	SCREW 10-24 X 1.25



NOTE: All component dimensions given in U.S. inches. 1 inch = 25.4 mm
IMPORTANT: Use only Original Equipment Manufacturer (O.E.M.) replacement parts.
 Failure to do so could be hazardous, damage your snow thrower and void your warranty.

REPAIR PARTS HANDLES

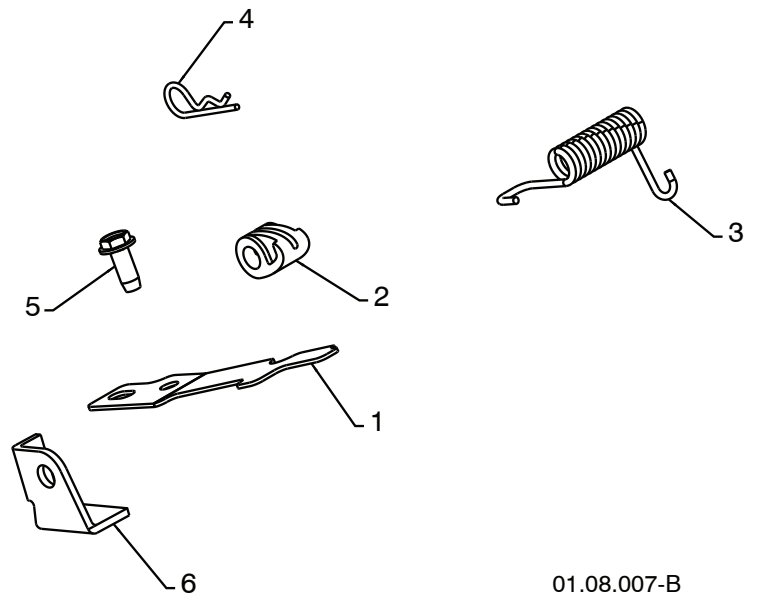
CRAFTSMAN SNOW THROWER - MODEL NO. 253560



KEY NO.	PART NO.	DESCRIPTION
1	419800X479	PLOW HANDLE LH
2	419801X479	PLOW HANDLE RH
3	196944	PANEL BRACKET LH
4	196943	PANEL BRACKET RH
5	199513	HANDLE GRIP
6	74780512	SCREW 5/16-18 X .750
7	74780524	SCREW 5/16-18 X 1.50
8	751153	NUT 5/16-18
9	155415	WASHER

01.08.003-A

KEY NO.	PART NO.	DESCRIPTION
1	412675X004	INTERLOCK SPRING
2	414572	INTERLOCK CAM
3	178831	TORSION SPRING
4	169675	RETAINER
5	17060410	SCREW 1/4-20 X .625
6	421252X004	INTERLOCK STOP

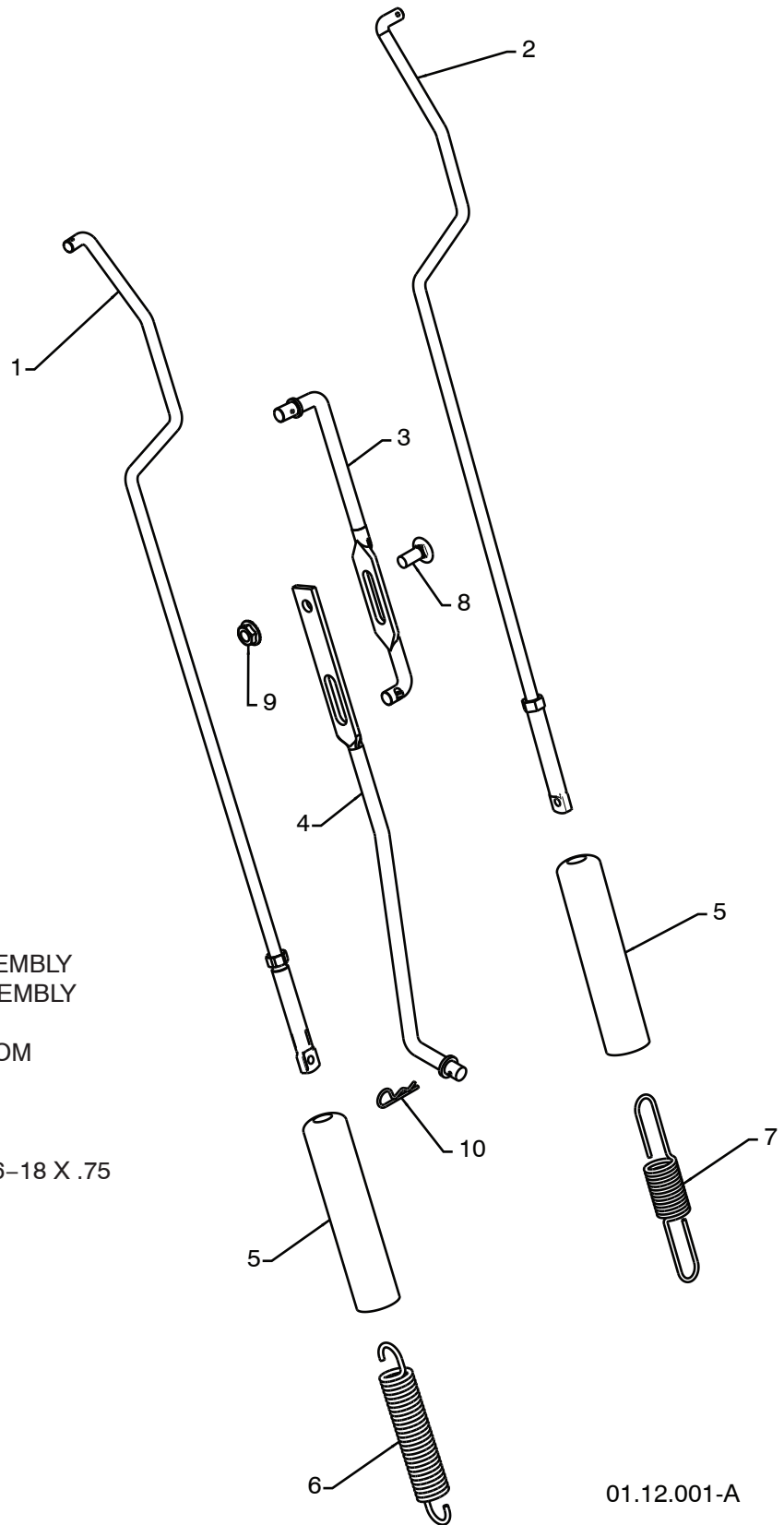


01.08.007-B

NOTE: All component dimensions given in U.S. inches. 1 inch = 25.4 mm
IMPORTANT: Use only Original Equipment Manufacturer (O.E.M.) replacement parts.
 Failure to do so could be hazardous, damage your snow thrower and void your warranty.

REPAIR PARTS HANDLES

CRAFTSMAN SNOW THROWER - MODEL NO. 253560



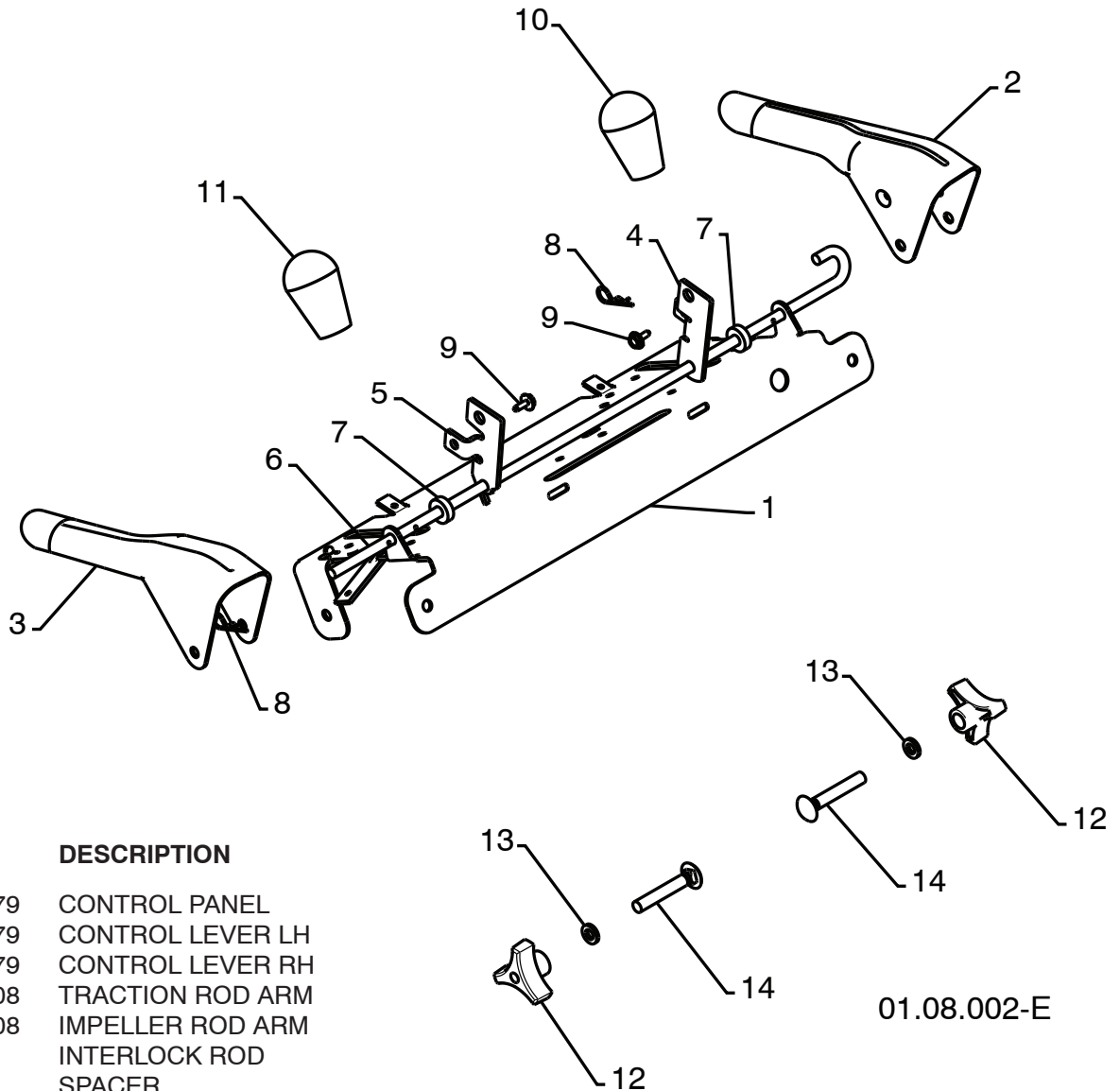
KEY NO.	PART NO.	DESCRIPTION
1	180480	IMPELLER ROD ASSEMBLY
2	405740	TRACTION ROD ASSEMBLY
3	180445	SHIFTER ROD TOP
4	187716	SHIFTER ROD BOTTOM
5	180447	SPRING SLEEVE
6	178669	IMPELLER SPRING
7	180926	TRACTION SPRING
8	72270506	CARRIAGE BOLT 5/16-18 X .75
9	155377	NUT 5/16-18
10	169675	RETAINER

01.12.001-A

NOTE: All component dimensions given in U.S. inches. 1 inch = 25.4 mm
IMPORTANT: Use only Original Equipment Manufacturer (O.E.M.) replacement parts.
 Failure to do so could be hazardous, damage your snow thrower and void your warranty.

REPAIR PARTS HANDLES

CRAFTSMAN SNOW THROWER - MODEL NO. 253560



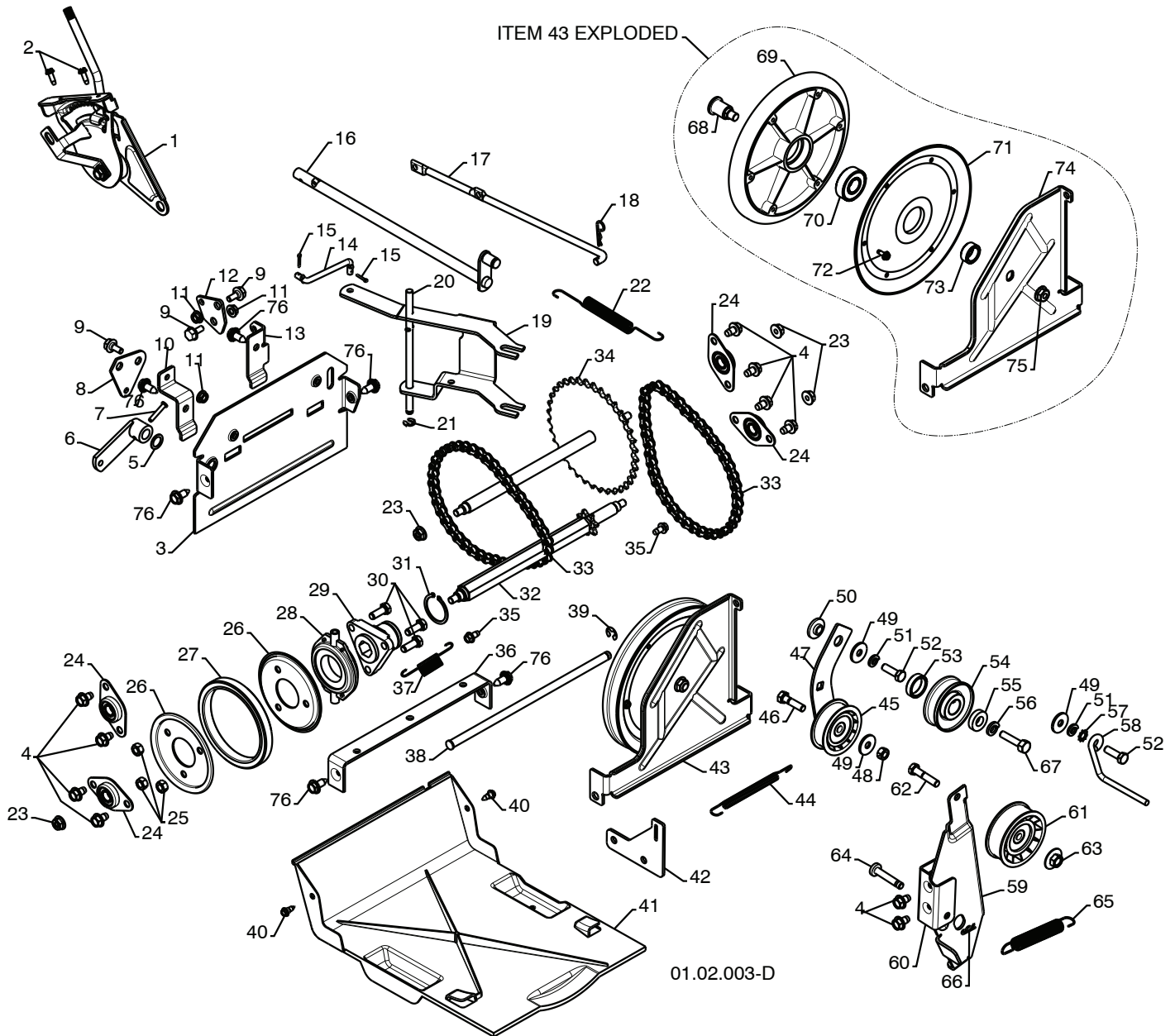
KEY NO.	PART NO.	DESCRIPTION
1	412683X479	CONTROL PANEL
2	412681X479	CONTROL LEVER LH
3	412682X479	CONTROL LEVER RH
4	412679X008	TRACTION ROD ARM
5	420889X008	IMPELLER ROD ARM
6	412677	INTERLOCK ROD
7	421613	SPACER
8	169675	RETAINER
9	17060408	SCREW 1/4-20 X .50
10	414280	KNOB BLACK
11	414281	KNOB RED
12	178899	HANDLE KNOB
13	19131316	WASHER 3/8
14	72120618	CARRIAGE BOLT 3/8-16 X 2.25

01.08.002-E

NOTE: All component dimensions given in U.S. inches. 1 inch = 25.4 mm
IMPORTANT: Use only Original Equipment Manufacturer (O.E.M.) replacement parts.
 Failure to do so could be hazardous, damage your snow thrower and void your warranty.

REPAIR PARTS DRIVE

CRAFTSMAN SNOW THROWER - MODEL NO. 253560



NOTE: All component dimensions given in U.S. inches. 1 inch = 25.4 mm
IMPORTANT: Use only Original Equipment Manufacturer (O.E.M.) replacement parts.
Failure to do so could be hazardous, damage your snow thrower and void your warranty.

REPAIR PARTS DRIVE

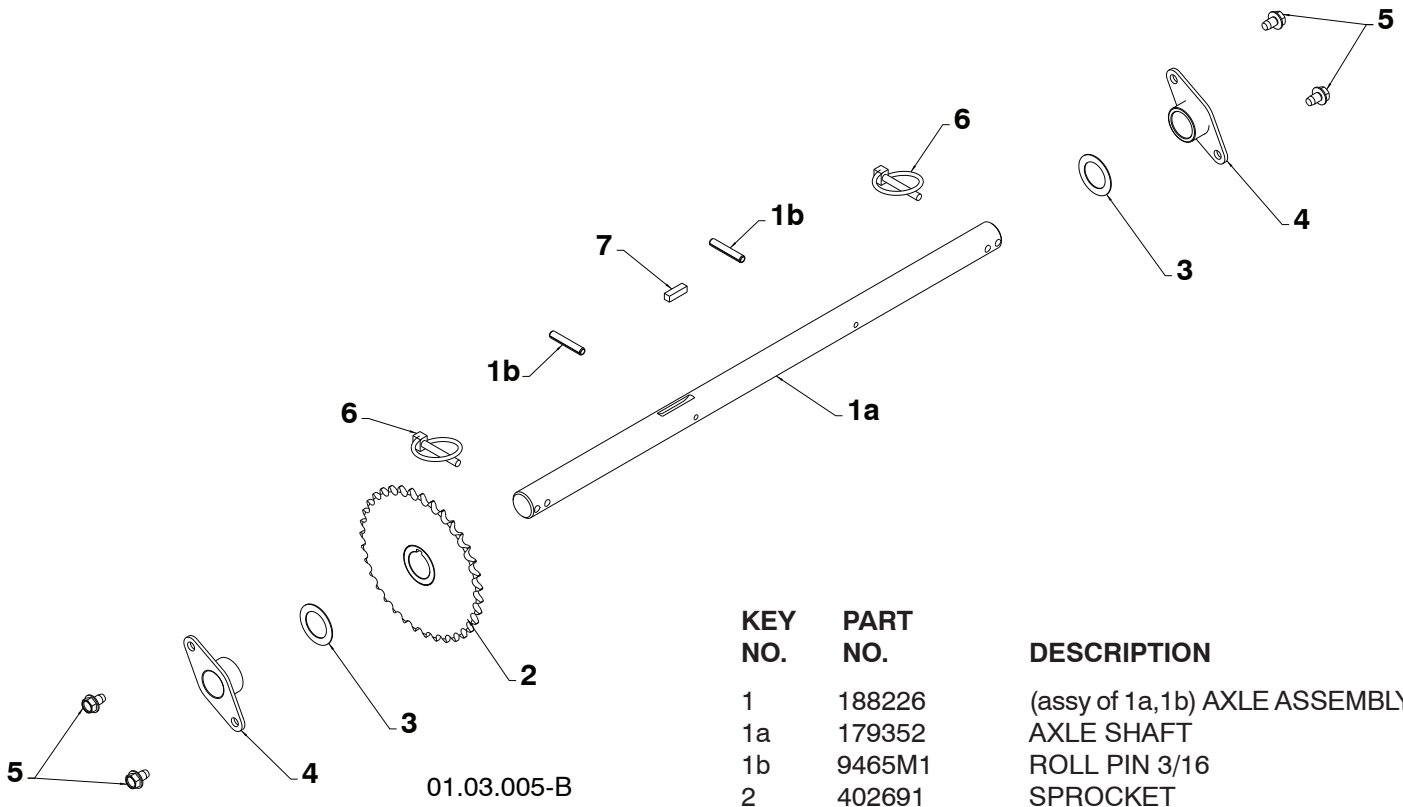
CRAFTSMAN SNOW THROWER - MODEL NO. 253560

KEY NO.	PART NO.	DESCRIPTION	KEY NO.	PART NO.	DESCRIPTION
1	198474	SPEED SELECTOR ASSEMBLY	39	12000007	E-RING .375
2	17501010	SCREW 10-24 X .625	40	184471	SHOULDER SCREW
3	402685X615	END PLATE	41	410877	BOTTOM PAN
4	17490508	SCREW 5/16-18 X .50	42	413429X479	SPRING BRACKET
5	57079	WASHER	43	402689	DRIVE PLATE ASSEMBLY
6	405485	CONTROL ARM	44	414557	IDLER SPRING
7	198580	CLEVIS PIN	45	180522	IDLER PULLEY
8	403097X004	SHIFTER PLATE	46	74780520	SCREW 5/16-18 X 1.25
9	402881	SHOULDER BOLT	47	187786	IDLER ARM
10	403096X004	SHIFTER BRACKET	48	73930500	NUT 5/16-18
11	191730	NUT 1/4-20	49	59289	WASHER
12	402856X004	CLUTCH PLATE	50	175331	PIVOT BUSHING
13	416717X004	CLUTCH BRACKET	51	10040500	LOCKWASHER 5/16
14	187101	SHIFTER LINK	52	74610516	SCREW 5/16-18 X 1.00
15	700279	RETAINER	53	409475	SPACER
16	406109	CONTROL SHAFT	54	180478	TRACTION PULLEY
17	402568	CLUTCH ROD	55	400026	WASHER 3/8
18	169675	RETAINER	56	850263	LOCKWASHER 3/8
19	401732	SHIFTER YOKE	57	11050500	LOCKWASHER
20	402310	PIVOT ROD	58	155452	BELT GUIDE
21	402882	RETAINER	59	419925X479	IDLER ARM
22	402878	RETURN SPRING	60	175324X479	IDLER BRACKET
23	751153	NUT 5/16-18	61	180523	IDLER PULLEY
24	408981	BEARING	62	74780524	SCREW 5/16-18 X 1.50
25	73930500	NUT 5/16-18	63	166785	NUT 5/16-18
26	198176X479	RUBBER WHEEL PLATE	64	175330	PIN IDLER PIVOT
27	179831	RUBBER RING	65	178828	IDLER SPRING
28	175344	BEARING	66	85179	RETAINER
29	178613	WHEEL HUB	67	851084	SCREW 3/8-24 X 1.375
30	74760514	SCREW 5/16-18-.875	68	402504	PULLEY SHAFT
31	12000012	RETAINER RING	69	401820	DRIVE PLATE
32	402187	HEX SHAFT	70	198791	BEARING
33	401619	CHAIN	71	402393	PULLEY HALF
34	417234	SPROCKET SHAFT	72	17541008	SCREW 10-24 X .50
35	17490408	SCREW 1/4-20 X .50	73	402511	SPACER BEARING
36	401984X479	SHIFTER BRACKET	74	418894X479	SWING PLATE
37	180135	SPRING	75	132010	NUT 3/8-16
38	402652	PLATE PIVOT ROD	76	150078	SCREW 5/16-18 X .750

NOTE: All component dimensions given in U.S. inches. 1 inch = 25.4 mm
IMPORTANT: Use only Original Equipment Manufacturer (O.E.M.) replacement parts.
 Failure to do so could be hazardous, damage your snow thrower and void your warranty.

**REPAIR PARTS
DRIVE**

CRAFTSMAN SNOW THROWER - MODEL NO. 253560



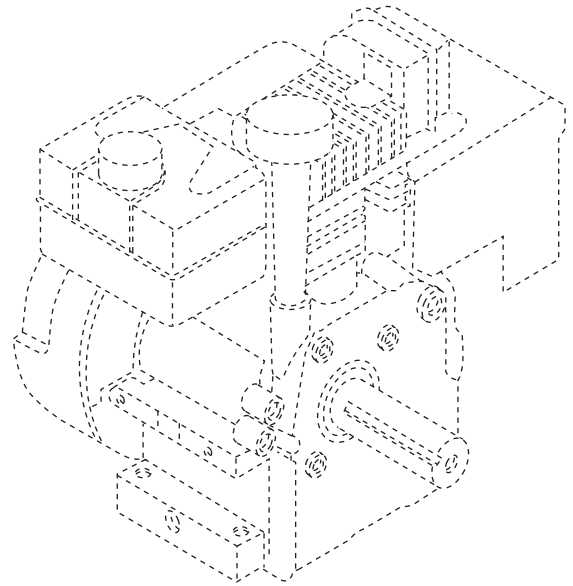
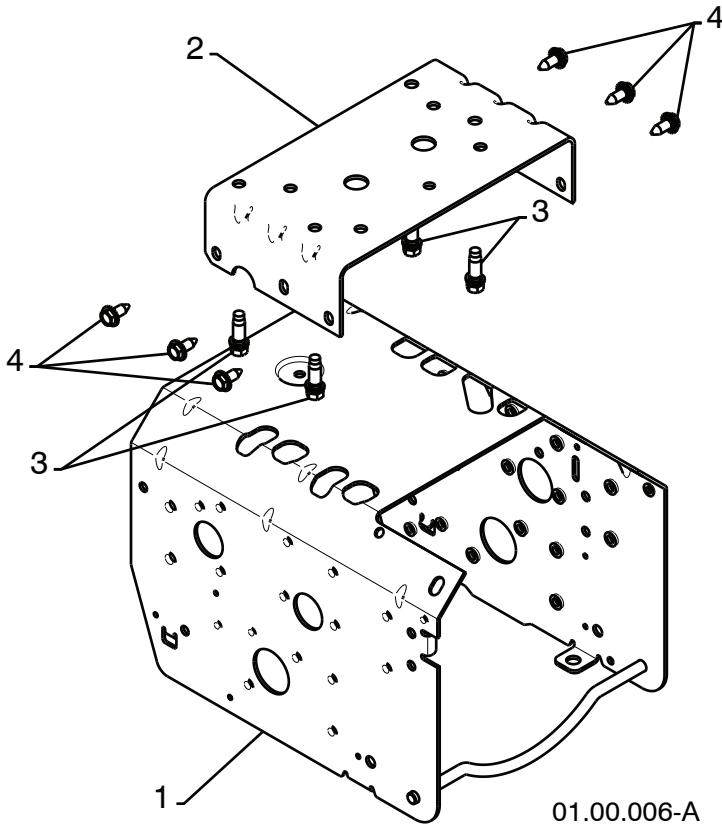
KEY NO.	PART NO.	DESCRIPTION
1	188226	(assy of 1a,1b) AXLE ASSEMBLY
1a	179352	AXLE SHAFT
1b	9465M1	ROLL PIN 3/16
2	402691	SPROCKET
3	174697	THRUST WASHER
4	179830	BEARING
5	17490508	BOLT 5/16-18 X .500
6	155443	CLIK PIN
7	189282	SQUARE KEY

NOTE: All component dimensions given in U.S. inches. 1 inch = 25.4 mm
IMPORTANT: Use only Original Equipment Manufacturer (O.E.M.) replacement parts.
 Failure to do so could be hazardous, damage your snow thrower and void your warranty.

REPAIR PARTS

CRAFTSMAN SNOW THROWER - MODEL NO. 253560

CHASSIS / ENGINE / PULLEYS



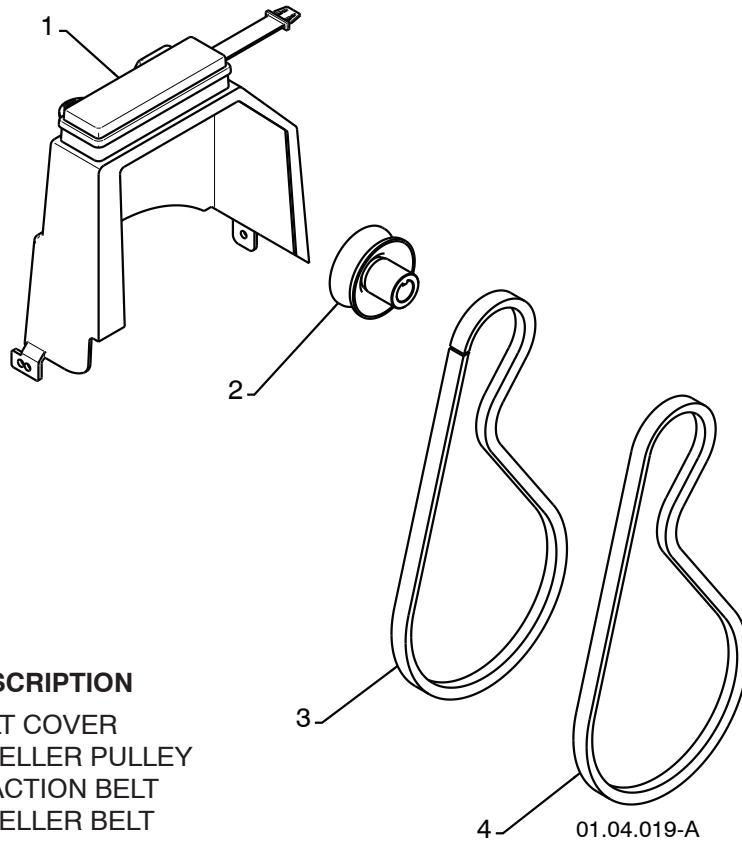
KEY NO.	PART NO.	DESCRIPTION
-	-----	ENGINE, B&S MODEL 20M113-1214-E1
1	409346X615	FRAME WELDMENT
2	417015X615	ENGINE MOUNT PLATE
3	150406	ENGINE BOLT 3/8-16
4	150078	SCREW 5/16-18 X .750

NOTE: All component dimensions given in U.S. inches. 1 inch = 25.4 mm
IMPORTANT: Use only Original Equipment Manufacturer (O.E.M.) replacement parts.
Failure to do so could be hazardous, damage your snow thrower and void your warranty.

REPAIR PARTS

CRAFTSMAN SNOW THROWER - MODEL NO. 253560

CHASSIS / ENGINE / PULLEYS

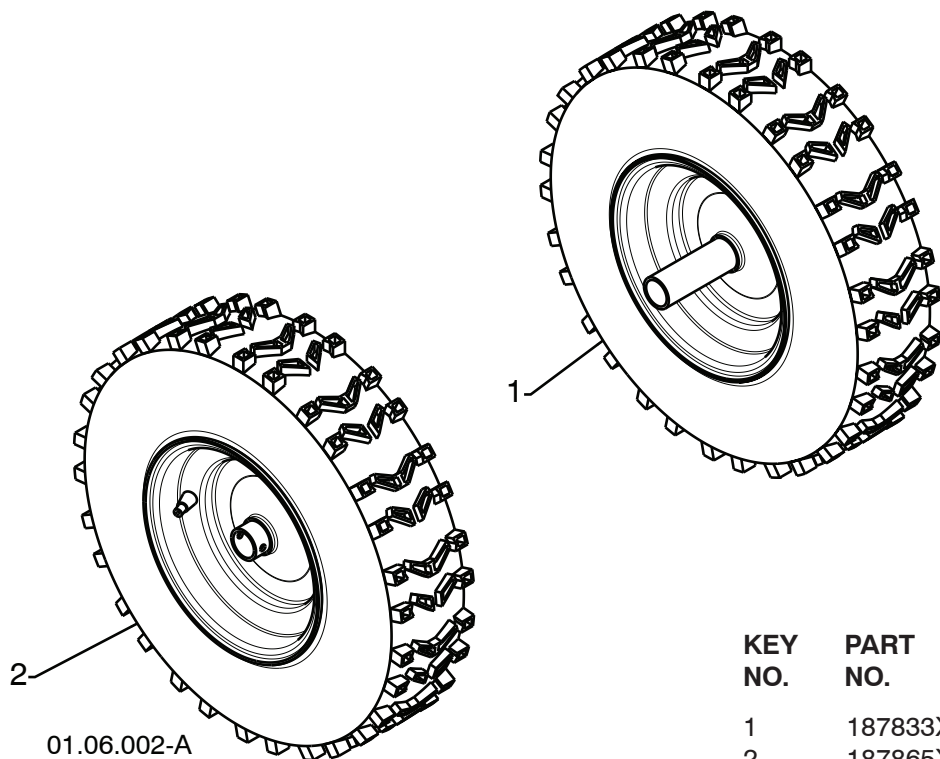


KEY NO.	PART NO.	DESCRIPTION
1	192213	BELT COVER
2	179157	IMPELLER PULLEY
3	419744	TRACTION BELT
4	408007	IMPELLER BELT

NOTE: All component dimensions given in U.S. inches. 1 inch = 25.4 mm
IMPORTANT: Use only Original Equipment Manufacturer (O.E.M.) replacement parts.
Failure to do so could be hazardous, damage your snow thrower and void your warranty.

REPAIR PARTS
WHEELS

CRAFTSMAN SNOW THROWER - MODEL NO. 253560

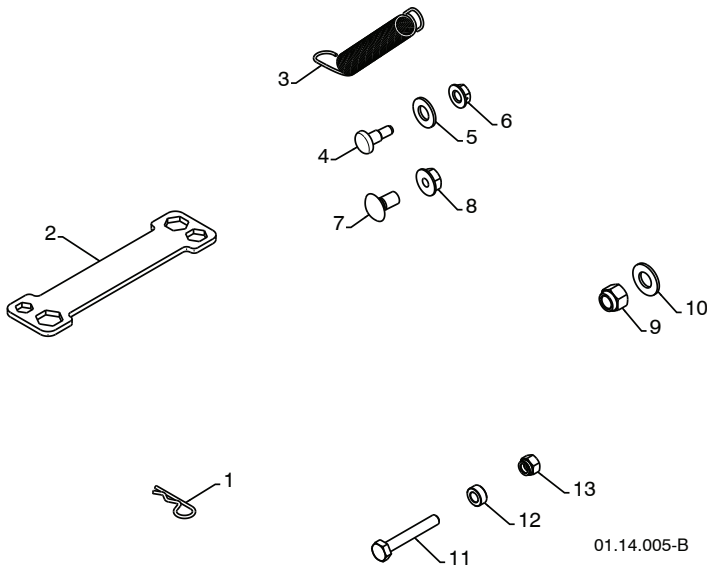


KEY NO.	PART NO.	DESCRIPTION
1	187833X417	WHEEL ASSEMBLY LH
2	187865X417	WHEEL ASSEMBLY RH

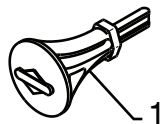
NOTE: All component dimensions given in U.S. inches. 1 inch = 25.4 mm
IMPORTANT: Use only Original Equipment Manufacturer (O.E.M.) replacement parts.
 Failure to do so could be hazardous, damage your snow thrower and void your warranty.

**REPAIR PARTS
BAG OF PARTS**

CRAFTSMAN SNOW THROWER - MODEL NO. 253560



KEY NO.	PART NO.	DESCRIPTION
1	169675	RETAINER PIN
2	180684	WRENCH
3	184505	REMOTE SPRING
4	179829	SHOULDER BOLT 1/4-20
5	179246	NYLON WASHER 1/4-20
6	191730	LOCKNUT 1/4-20
7	72250505	CARRIAGE BOLT 5/16-18 X 5/8
8	751153	LOCKNUT 5/16-18
9	73800600	LOCKNUT 3/8-16
10	19131316	WASHER 3/8
11	198636	SHEAR BOLT 1/4-20 X 1-3/4
12	198638	SPACER
13	73800400	LOCKNUT 1/4-20



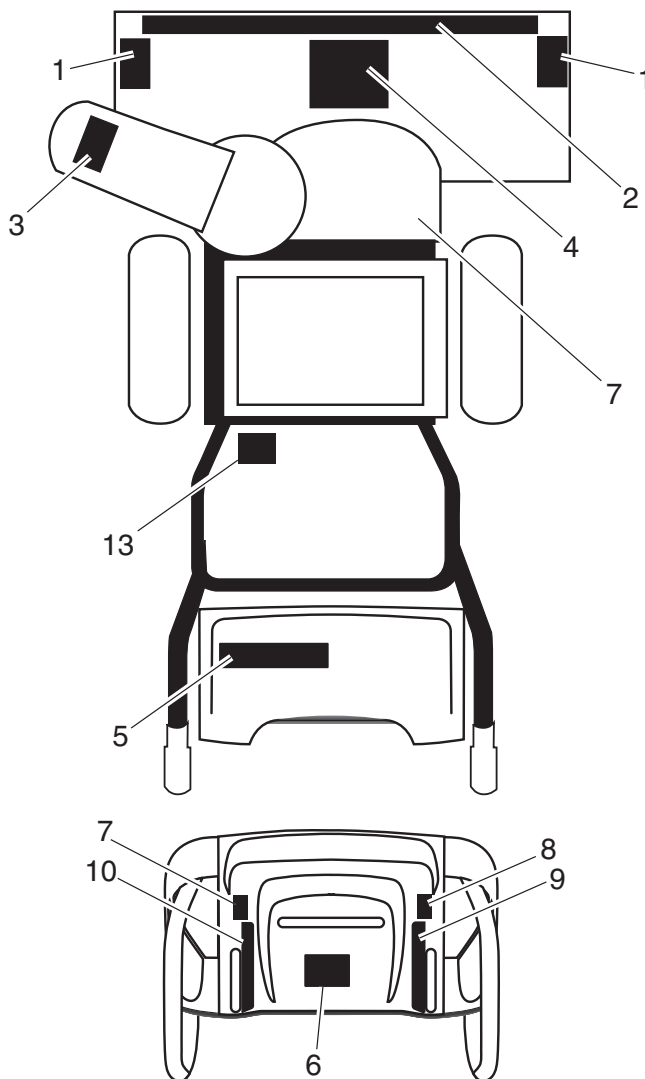
01.14.007-A

KEY NO.	PART NO.	DESCRIPTION
1	193071	SAFETY IGNITION KEY

NOTE: All component dimensions given in U.S. inches. 1 inch = 25.4 mm
IMPORTANT: Use only Original Equipment Manufacturer (O.E.M.) replacement parts.
 Failure to do so could be hazardous, damage your snow thrower and void your warranty.

REPAIR PARTS DECALS

CRAFTSMAN SNOW THROWER - MODEL NO. 253560



KEY PART

KEY PART NO.	NO.	DESCRIPTION
1	199683	Decal, Danger
2	422725	Decal, Craftsman, 1350 S / 69 cm
3	199682	Decal, Danger, Deflector
4	184045	Decal, Danger
5	422638	Decal, Craftsman
6	184030	Decal, Instruction
7	415393	Decal, Traction Lever
8	415392	Decal, Auger Lever
9	415477	Decal, Speed Control
10	184031	Decal, Remote Deflector
13	180433	Decal, Sound Level
--	422620	Operator's Manual, European
--	422621	Operator's Manual, Scandinavian
--	422615	Repair Parts Manual, English

NOTE: All component dimensions given in U.S. inches. 1 inch = 25.4 mm
IMPORTANT: Use only Original Equipment Manufacturer (O.E.M.) replacement parts.
 Failure to do so could be hazardous, damage your snow thrower and void your warranty.

LIMITED 2-YEAR WARRANTY ON CRAFTSMAN SNOW THROWER

When used and maintained according to the operator's manual instructions, if this snow thrower fails due to a defect in material or workmanship within two years from the date of purchase, call 1-800-4-MY-HOME® to arrange for free repair.

During the first 30 days of purchase, there will be no charge to service the product in your home. For your convenience, in-home warranty service will still be available after the first 30 days of purchase, but a trip charge will apply. This charge will be waived if you transport the product to an authorized Craftsman drop-off location. For the nearest authorized location, call 1-800-4-MY-HOME®.

Warranty coverage does not include:

- Expendable items that become worn during normal use, including but not limited to spark plugs, shear pins, belts.
- Standard maintenance servicing, oil changes, or tune-ups.
- Tire replacement or repair caused by punctures from outside objects, such as nails, thorns, stumps, or glass.
- Repairs necessary because of operator abuse, including but not limited to damage caused by impacting objects that bend the frame, crankshaft or auger, or over-speeding the engine.
- Repairs necessary because of operator negligence, including but not limited to damage caused by improper storage, failure to use the proper grade and amount of engine oil, or failure to maintain the equipment according to the instructions contained in the operator's manual
- Engine (fuel system) cleaning or repairs necessary because of fuel determined to be contaminated or oxidized (stale). In general, fuel should be used within 30 days of its purchase date.
- Normal deterioration and wear of the exterior finishes, or product label replacement.

This warranty applies for only 90 days if this product is used for commercial or rental purposes.

This warranty applies only while this product is within the United States.

This warranty gives you specific legal rights, and you may also have other rights, which vary, from state to state.

Sears, Roebuck And Co., Dept. 817WA, Hoffman Estates, IL 60179



Free Manuals Download Website

<http://myh66.com>

<http://usermanuals.us>

<http://www.somanuals.com>

<http://www.4manuals.cc>

<http://www.manual-lib.com>

<http://www.404manual.com>

<http://www.luxmanual.com>

<http://aubethermostatmanual.com>

Golf course search by state

<http://golfingnear.com>

Email search by domain

<http://emailbydomain.com>

Auto manuals search

<http://auto.somanuals.com>

TV manuals search

<http://tv.somanuals.com>