

CRAFTSMAN®

Operator's Manual

Snow Thrower

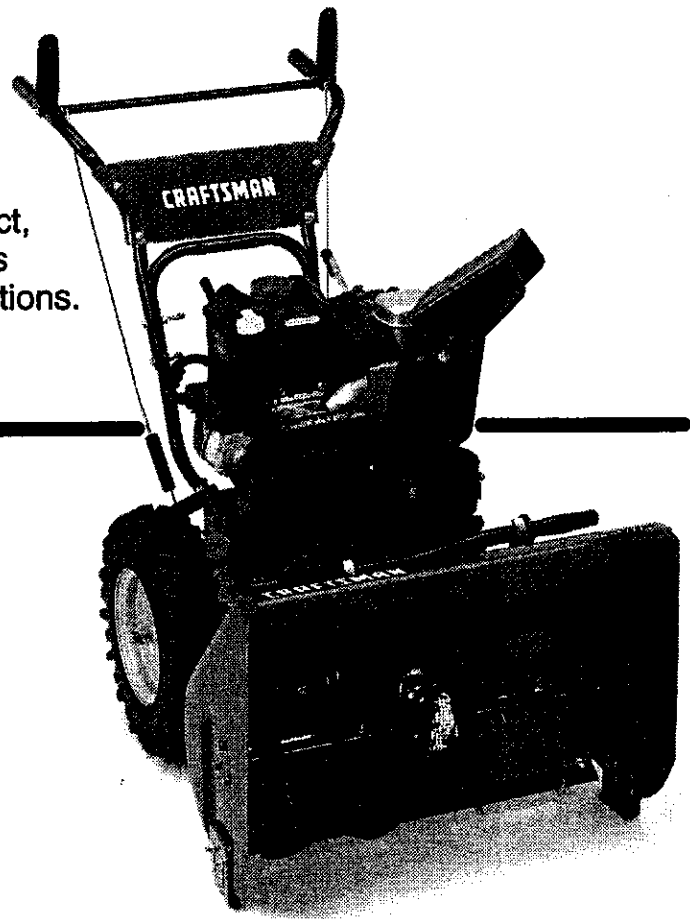
8.5 Horsepower

Electric Start

27" Dual Stage

Model 536.881851

CAUTION: Before using this product, read this manual and follow all of its Safety Rules and Operating Instructions.



Manual del usuario

Quitanieves

8.5 caballos de fuerza (hp)

Arranque eléctrico

27" Bietápico

Modelo 536.881851

PRECAUCIÓN: Antes de usar este producto, lea este manual y siga todas las reglas de seguridad e instrucciones de operación.

Sears, Roebuck and Co., Hoffman Estates, IL 60179 U.S.A.

198928 Rev. 1 07.19.05 BY www.sears.com/craftsman

Printed in U.S.A.

Download from Www.Somanuals.com. All Manuals Search And Download.

TABLE OF CONTENTS

WARRANTY STATEMENT	2	STORAGE	33
SAFETY RULES	2	TROUBLESHOOTING TABLE ...	34
INTERNATIONAL SYMBOLS	4	REPAIR PARTS	38
ASSEMBLY	6	ENGINE REPAIR PARTS	56
OPERATION	11	SPANISH (ESPAÑOL)	63
MAINTENANCE	18	PARTS ORDERING/SERVICE ..	
SERVICE AND ADJUSTMENT ..	21	BACK COVER	

WARRANTY STATEMENT

LIMITED TWO-YEAR WARRANTY ON CRAFTSMAN SNOW THROWER

For two years from the date of purchase, when this Craftsman Snow thrower is maintained, lubricated, and tuned up according to the operating and maintenance instructions in the owner's manual, Sears will repair, free of charge, any defect in material or workmanship.

If this Craftsman Snow thrower is used for commercial or rental purposes, this warranty applies for only 90 days from the date of purchase.

This warranty does not cover the following:

- Items which become worn during normal use, such as spark plugs, drive belts and shear pins.
- Repair necessary because of operator abuse or negligence, including bent crankshafts and the failure to maintain the equipment according to the instructions contained in the owner's manual.

WARRANTY SERVICE IS AVAILABLE BY RETURNING THE CRAFTSMAN SNOW THROWER TO THE NEAREST SEARS SERVICE CENTER IN THE UNITED STATES. THIS WARRANTY APPLIES ONLY WHILE THIS PRODUCT IS IN USE IN THE UNITED STATES.

This warranty gives you specific legal rights, and you may also have other rights which may vary from state to state.

Sears, Roebuck and Co., D817WA, Hoffman Estates, IL 60179

SAFETY RULES



LOOK FOR THIS SYMBOL TO POINT OUT IMPORTANT SAFETY PRECAUTIONS. IT MEANS-- ATTENTION!!! BECOME ALERT!!! YOUR SAFETY IS INVOLVED.



WARNING:



Engine Exhaust, some of its constituents, and certain vehicle components contain or emit chemicals known to the State of California to cause cancer and birth defects or other reproductive harm.

Battery posts, terminals and related accessories contain lead and lead compounds, chemicals known to the State of California to cause cancer and birth defects or other reproductive harm.
WASH HANDS AFTER HANDLING.



WARNING: Always disconnect the spark plug wire and place it where it cannot make contact with spark plug to prevent accidental starting during: Preparation, Maintenance, or Storage of your snow thrower.

IMPORTANT: Safety standards require operator presence controls to minimize the risk of injury. Your snow thrower is equipped with such controls. Do not attempt to defeat the function of the operator presence control under any circumstances.

TRAINING

1. Read this operating and service instruction manual carefully. Be thoroughly familiar with the controls and the proper use of the snow thrower. Know how to stop the snow thrower and disengage the controls quickly.
2. Never allow children to operate the snow thrower. Never allow adults to operate the snow thrower without proper instruction.
3. Keep the area of operation clear of all persons, particularly small children and pets.
4. Exercise caution to avoid slipping or falling especially when operating in reverse.

PREPARATION

1. Thoroughly inspect the area where the snow thrower is to be used and remove all doormats, sleds, boards, wires, and other foreign objects.
2. Disengage all clutches before starting the engine (motor).
3. Do not operate the snow thrower without wearing adequate winter outer garments. Wear footwear that will improve footing on slippery surfaces.
4. Handle fuel with care; it is highly flammable.
 - a. Use an approved fuel container.
 - b. Never remove fuel tank cap or add fuel to a running engine (motor) or hot engine (motor).
 - c. Fill fuel tank outdoors with extreme care. Never fill fuel tank indoors.
 - d. Replace fuel cap securely and wipe up spilled fuel.
 - e. Never store fuel or snow thrower with fuel in the tank inside of a building where fumes may reach an open flame or spark.
 - f. Check fuel supply before each use, allowing space for expansion as the heat of the engine (motor) and/or sun can cause fuel to expand.
5. For all snow throwers with electric starting motors use electric starting extension cords certified CSA/UL. Use only with a receptacle that has been installed in accordance with local inspection authorities.
6. Let engine (motor) and snow thrower adjust to outdoor temperatures before starting to clear snow.
7. Always wear safety glasses or eye shields during operation or while performing an adjustment or repair to protect eyes from foreign objects that may be thrown from the snow thrower.

OPERATION

1. Do not operate this snow thrower if you are taking drugs or other medication which can cause drowsiness or affect your ability to operate this snow thrower.
2. Do not use the snow thrower if you are mentally or physically unable to operate the snow thrower safely.
3. Do not put hands or feet near or under rotating parts. Keep clear of the discharge opening at all times.
4. Exercise extreme caution when operating on or crossing gravel drives, walks or roads. Stay alert for hidden hazards or traffic.
5. After striking a foreign object, stop the engine (motor), remove the wire from the spark plug, thoroughly inspect snow thrower for any damage, and repair the damage before restarting and operating the snow thrower.
6. If the snow thrower should start to vibrate abnormally, stop the engine (motor) and check immediately for the cause. Vibration is generally a warning of trouble.
7. Stop the engine (motor) whenever you leave the operating position, before unclogging the auger/impeller housing or discharge chute and when making any repairs, adjustments, or inspections.
8. When cleaning, repairing, or inspecting, make certain the auger/impeller and all moving parts have stopped and all controls are disengaged. Disconnect the spark plug wire and keep the wire away from the spark plug to prevent accidental starting.
9. Take all possible precautions when leaving the snow thrower unattended. Disengage the auger/ impeller, stop engine (motor), and remove key.
10. Do not start or run engine in enclosed area, even if doors or windows are open. Exhaust fumes are dangerous (containing CARBON MONOXIDE, an ODORLESS and DEADLY GAS).
11. Do not clear snow across the face of slopes. Exercise extreme caution when changing direction on slopes. Do not attempt to clear steep slopes.
12. Never operate the snow thrower without proper guards, plates or other safety protective devices in place.
13. Never operate the snow thrower near enclosures, automobiles, window wells, drop-offs, and the like without proper adjustment of the snow discharge angle. Keep children and pets away.

14. Do not overload the snow thrower capacity by attempting to clear snow at too fast a rate.
15. Never operate the snow thrower at high transport speeds on slippery surfaces. Look behind and use care when backing up.
16. Never direct discharge at bystanders or allow anyone in front of the snow thrower.
17. Disengage power to the collector/impeller when snow thrower is transported or not in use.
18. Use only attachments and accessories approved by the manufacturer of the snow thrower (such as tire chains, electric start kits, ect.).
19. Never operate the snow thrower without good visibility or light. Always be sure of your footing and keep a firm hold on the handles. Walk; never run.
20. Do not over-reach. Keep proper footing and balance at all times.
21. Do not attempt to use snow thrower on a roof.
2. Store the snowthrower away from ignition sources or appliances that have a pilot light, such as hot water and space heaters, clothes dryers, etc.... Allow the engine (motor) to cool before storing in any enclosure.
3. Always refer to operator's guide instructions for important details if the snow thrower is to be stored for an extended period.
4. Maintain or replace safety and instruction labels, as necessary.
5. Run the snow thrower a few minutes after throwing snow to prevent freeze-up of the auger/impeller.



WARNING: This snow thrower is for use on sidewalks, driveways and other ground level surfaces.

Caution should be exercised while using on steep sloping surfaces. DO NOT USE SNOW THROWER ON SURFACES ABOVE GROUND LEVEL such as roofs of residences, garages, porches or other such structures or buildings.

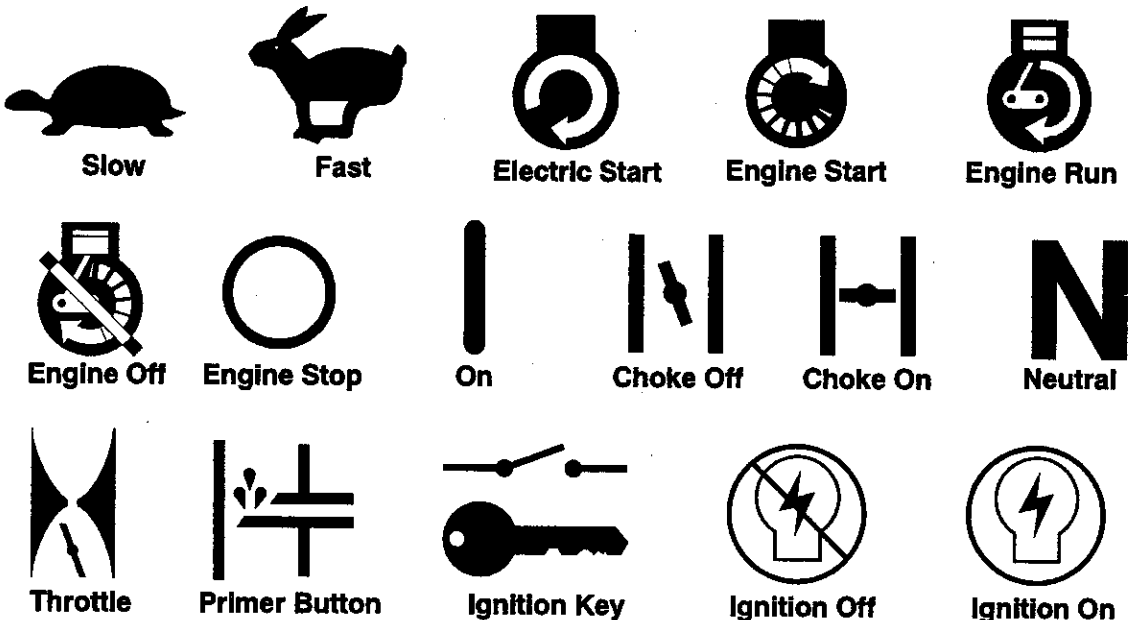
MAINTENANCE AND STORAGE

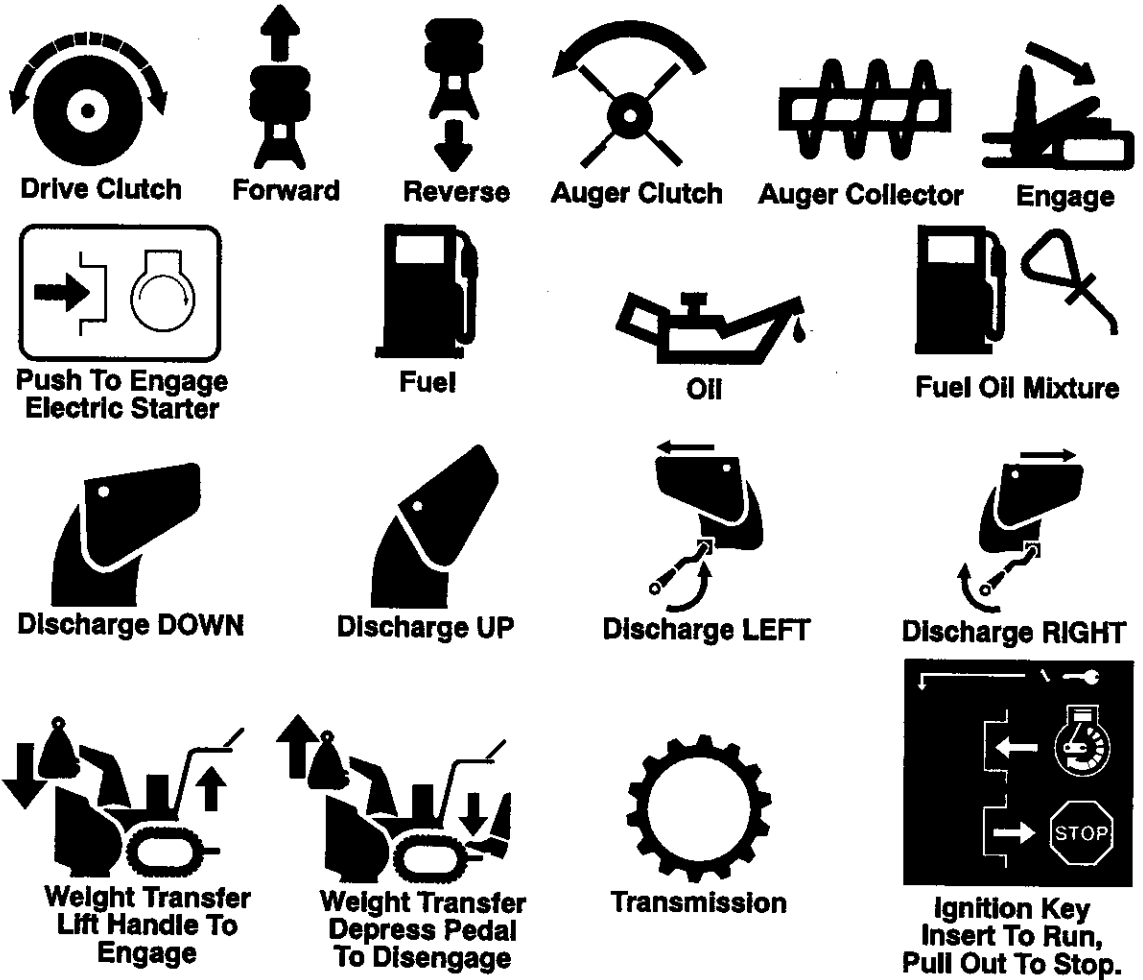
1. Check shear bolts and other bolts at frequent intervals for proper tightness to be sure the snow thrower is in safe working condition.

SYMBOLS

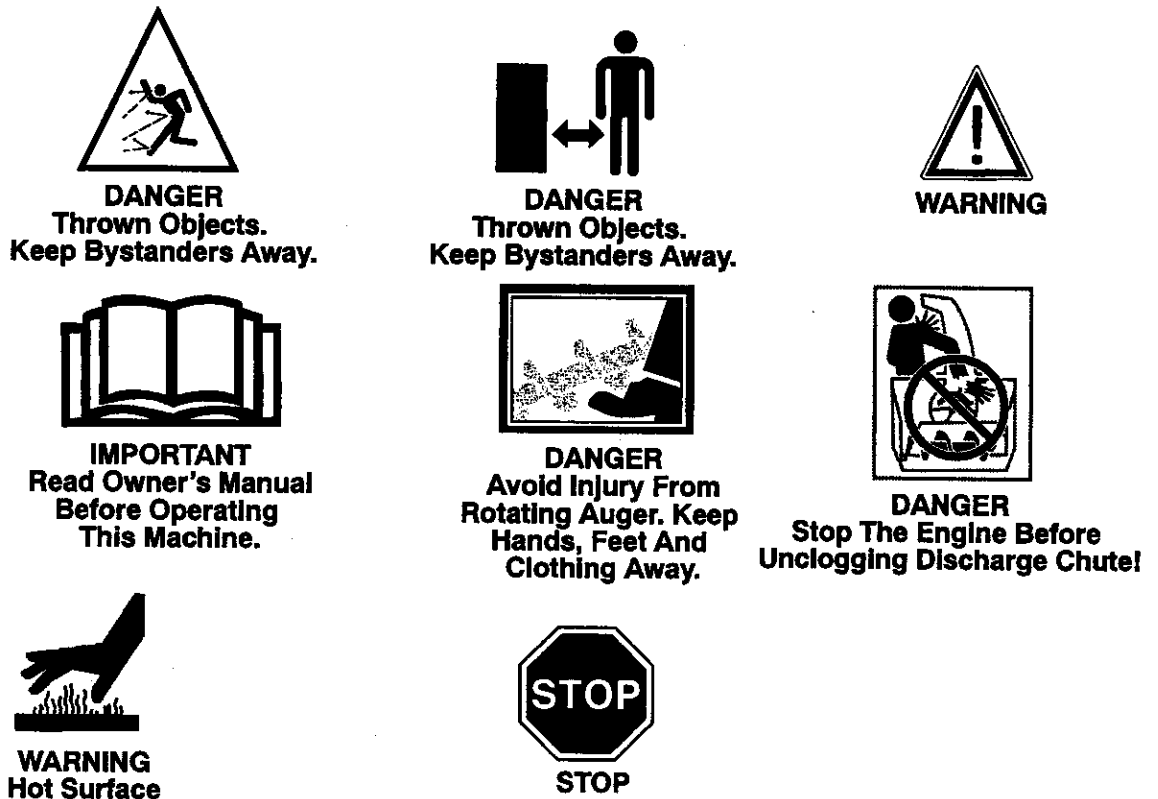
IMPORTANT: Many of the following symbols are located on your snow thrower or on literature supplied with the product. Before you operate the snow thrower, learn and understand the purpose for each symbol.

CONTROL AND OPERATING SYMBOLS





Safety Warning Symbols

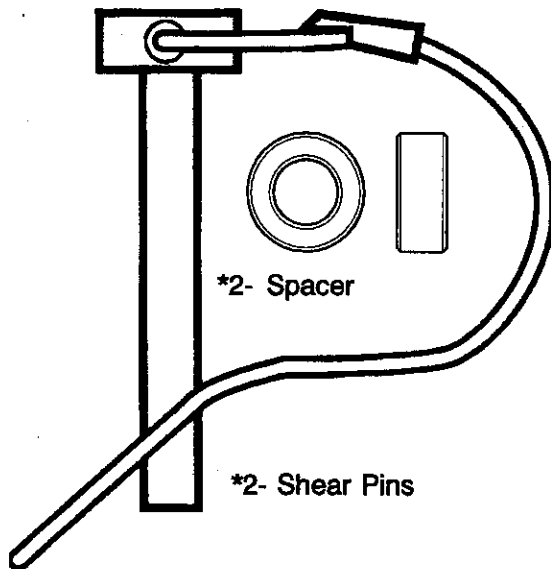


ASSEMBLY

CONTENTS OF PARTS BAG (ACTUAL SIZE)

- 1 - Owner's Manual (not shown)
- 1 - Packet of Fuel Stabilizer (not shown)
- 1 - Warranty Card (not shown)

*Non-Assembly Parts, found in toolbox located on belt cover



ASSEMBLY



WARNING: Always wear safety glasses or eye shields while assembling snow thrower.

TOOLS REQUIRED FOR ASSEMBLY

- 1 - Knife to cut carton
- 2 - 1/2 inch wrenches
(or adjustable wrenches)
- 2 - 9/16 inch wrenches
(or adjustable wrenches)
- 2 - 3/4 inch wrenches
(or adjustable wrenches)
- 1 - Pliers (to spread cotter pin)
- 1 - Screwdriver
- 1 - Measuring tape or ruler

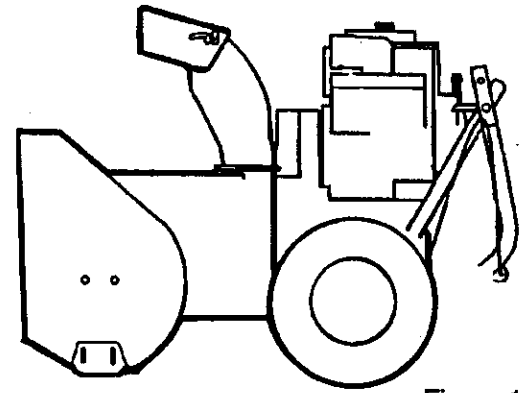


Figure 1

Figure 1 shows the snow thrower in the shipping position.

Figure 2 shows the snow thrower completely assembled.

References to the right or left hand side of the snow thrower are from the view-point of the operator's position behind the unit.

TO REMOVE SNOW THROWER FROM CARTON

1. Locate all parts packed separately and remove from the carton.
NOTE: Place fuel stabilizer in a safe place until needed for storage.
2. Remove and discard the packing material from around the snow thrower.
3. Cut down all four corners of the carton and lay the panels flat.
4. Cut the straps that secure the axle to the pallet.
5. For shipping purposes, the **height adjust skids** are attached to the pallet. Remove the **screw** that secures each **height adjust skid** to the pallet. See Figure 2.
6. Roll snow thrower off the pallet by pulling on the lower handle. **CAUTION: DO NOT** back over control cables.
7. Remove all packing material from the unit.
8. Cut ties securing the clutch control cable to the lower handle and lay

cable back away from the motor frame.

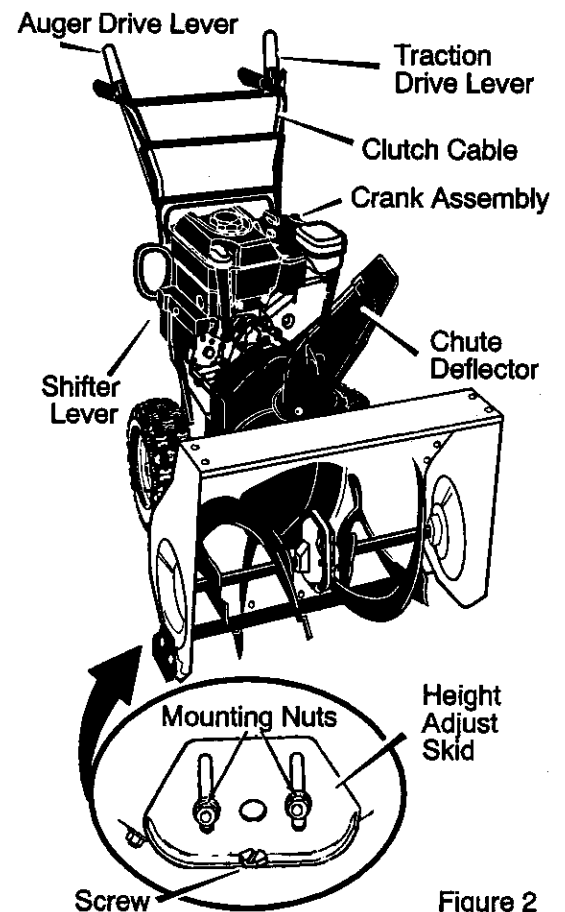


Figure 2

ASSEMBLY

TO ASSEMBLE THE HANDLE AND CRANK ASSEMBLY

1. Cut tie holding shift rod to lower handle and move shifter to the first forward gear.
2. Cut and discard the plastic tie that secures the crank assembly.
3. Loosen, but do not remove, the screws, flatwashers, lockwashers, and hex nuts in the upper holes of the lower handle. See Figure 3.
4. Remove the fasteners and the eye-bolt from the lower holes of the lower handle See Figure 5.

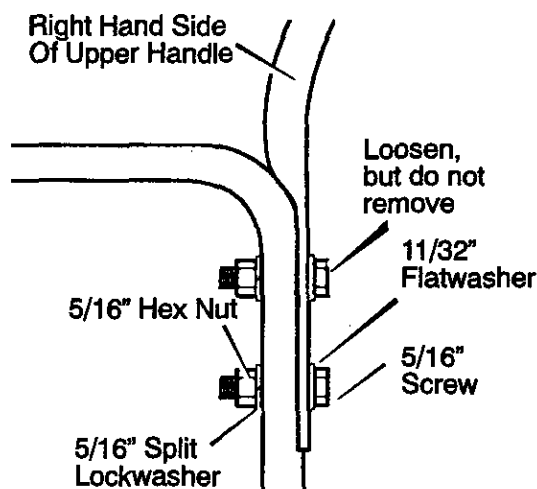


Figure 3

NOTE: Make sure the cables are not caught between the upper and lower handle.

5. Raise the upper handle into operating position.

NOTE: If the cables have become disconnected from the drive levers, reinstall the cables as shown in Figure 4.

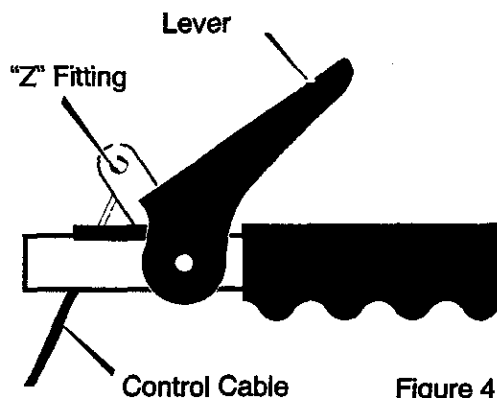


Figure 4

6. Install the fasteners that were removed in step 4. DO NOT tighten until all bolts are in place.

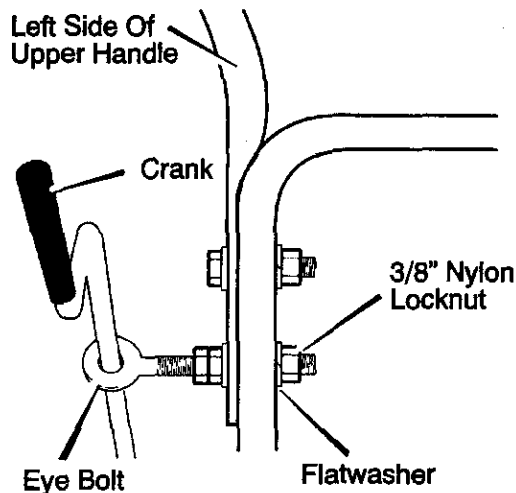


Figure 5

7. Attach the crank rod to the universal joint assembly with the hair pin. See Figure 6.
8. Tighten nut on eye bolt. Make sure eye bolt is properly aligned and the crank can freely rotate.
9. Tighten all handle and panel bolts.

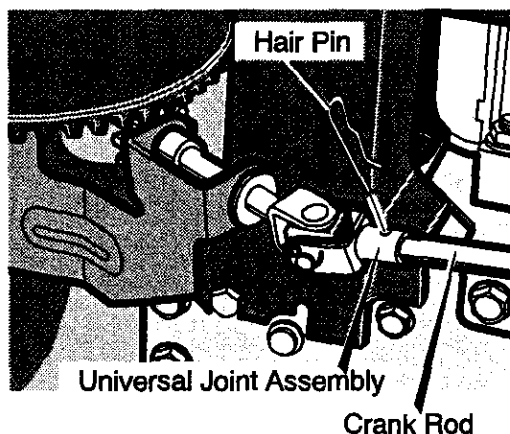


Figure 6

ASSEMBLY

NOTE: If the cables have become disconnected, connect cables as shown in Figure 7.

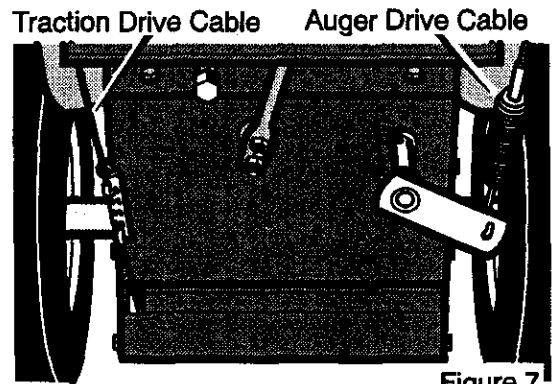


Figure 7

HOW TO ASSEMBLE THE CHUTE DEFLECTOR

1. Remove the carriage bolt. See Figure 8.
2. Raise the chute deflector into operating position.
3. Fasten chute deflector to flange with carriage bolt. Make sure to install with head of carriage bolt on the inside of the flange.
4. Fasten with washer and locknut.
5. Tighten locknut securely.

NOTE: Make sure all carriage bolts in flange are tight. DO NOT OVERTIGHTEN.

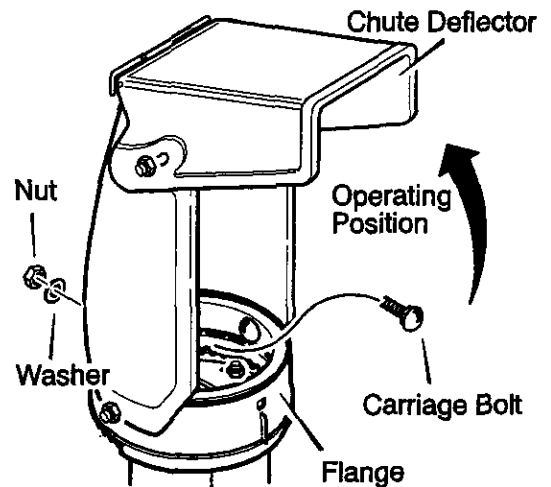


Figure 8

HOW TO SET THE SKID HEIGHT

Your snow thrower is equipped with height adjust skids on the outside of the auger housing. To adjust the skid

height for different conditions, see **To Adjust Skid Height** paragraph in the **Service And Adjustment** section.

HOW TO SET THE LENGTH OF THE CABLES

The cables were adjusted at the factory and no adjustments should be necessary. However, after the handles are put in the operating position, the cables can

be too tight or too loose. If an adjustment is necessary, see "How To Check And Adjust The Cables" in the **Service And Adjustment** section.

ASSEMBLY

✓ CHECKLIST

Before you operate your new snow thrower, to ensure that you receive the best performance and satisfaction from this quality product, please review the following checklist:

- ✓ All assembly instructions have been completed.
- ✓ The discharge chute rotates freely.
- ✓ No remaining loose parts in carton.
- ✓ Check the fasteners. Make sure all fasteners are tight.
- ✓ Check the air pressure of the tires. Correct air pressure is from 14 to 17 PSI. See the side of the tire for maximum inflation. Do not exceed maximum inflation.
- ✓ On electric start models, the unit was

shipped with the starter cord plugged into the engine. Before operating, unplug the starter cord from the engine.

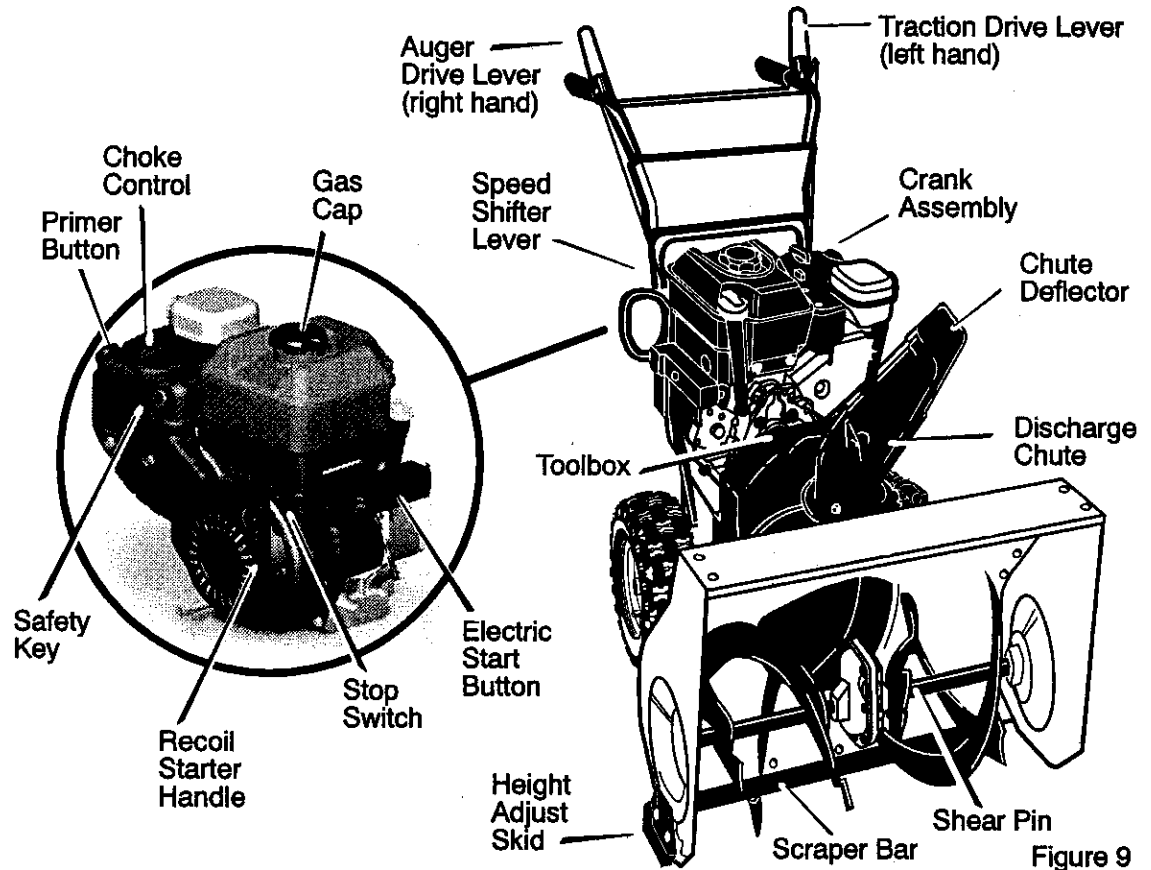
While learning how to use your snow thrower, pay extra attention to the following important items:

- ✓ Engine oil is at proper level. Use a high quality detergent oil classified "For Service SG, SH, SJ, SL, or higher".
- ✓ Make sure gas tank is filled properly with clean, fresh, unleaded gasoline with a minimum of 85 octane.
- ✓ Become familiar with all controls—their location and function. Operate controls before starting engine.

OPERATION

KNOW YOUR SNOW THROWER

READ THIS OWNER'S MANUAL AND SAFETY RULES BEFORE OPERATING YOUR SNOW THROWER. Compare the illustrations with your SNOW THROWER to familiarize yourself with the location of various controls and adjustments. Save this manual for future reference.



Auger Drive Lever - Starts and stops the auger and impeller (**snow gathering and throwing**)

Traction Drive Lever - Propels the snow thrower forward and in reverse.

Speed Shifter Lever - Selects the speed of the snow thrower (6 speeds forward and 2 speeds reverse).

Crank Assembly - Changes the direction of snow throwing through the discharge chute.

Chute Deflector - Changes the distance the snow is thrown.

Discharge Chute - Changes the height and direction the snow is thrown.

Height Adjust Skid - Adjusts the ground clearance of the auger housing.

Safety Key - Must push in to start the engine.

Recoil Starter Handle - Starts the engine manually.

Choke Control - Used to start a cold engine.

Primer Button - Injects fuel directly into the carburetor manifold for fast starts in cold weather.

Electric Start Button - (if so equipped) Used to start the engine using the 120 V electric starter.

Shear Pin - Shear pins are designed to break (to protect the machine) if an object becomes lodged in the auger housing.

Toolbox - Spare shear pins and spacers are located in toolbox.

OPERATION

The operation of any snow thrower can result in foreign objects being thrown into the eyes, which can result in severe eye damage. Always wear safety glasses or eye shields while operating the snow thrower.

We recommend standard safety glasses or a wide vision safety mask for over your glasses.



WARNING: Read Owner's Manual before operating machine. Never direct discharge toward bystanders. Stop the engine before unclogging discharge chute or auger housing and before leaving the machine.

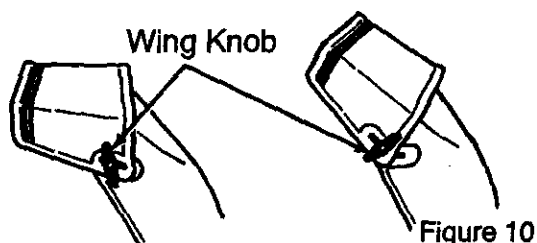
TO STOP YOUR SNOW THROWER

1. To stop throwing snow, release the **auger drive lever**.
2. To stop the wheels, release the **traction drive lever**.
3. To stop the engine, pull out the **safety key**.

CAUTION: To stop the engine, do not move the choke control to CHOKE position. Backfire or engine damage can occur.

TO CONTROL SNOW DISCHARGE

1. Turn the chute control rod to set the direction of the snow throwing.
2. Loosen the **wing knob** on the chute deflector and move the deflector to set the distance. Move the deflector (**Up**) for more distance, (**Down**) for less distance. Then tighten the **wing knob** (See Figure 10).



HOW TO MOVE FORWARD AND BACKWARD

1. To shift, release the traction drive lever (**left hand**) and move the speed shifter lever to the speed you desire. Ground speed is determined by snow conditions. Select the speed you desire by moving the speed shifter lever left into the appropriate notches on the shift lever plate:
Speeds 1,2 - Wet, Heavy
Speed 3 - Light
Speed 4 - Very Light
Speed 5,6 - Transport only
2. Engage the traction drive lever (**left hand**). As the snow thrower starts to move, maintain a firm hold on the handles, and guide the snow thrower along the clearing path. Do not attempt to push the snow thrower.
3. To move the snow thrower backward, move the speed shifter lever right into first or second reverse and engage the traction drive lever (**left hand**).

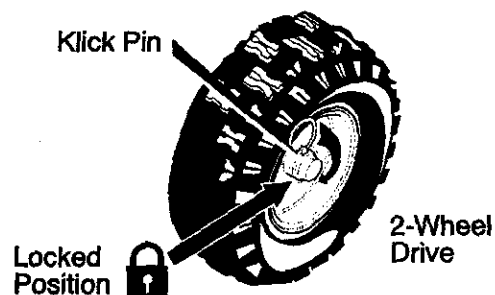
IMPORTANT: Do not move the speed shifter lever while the traction lever is down.

TO THROW SNOW

1. Push down the auger driver lever (**right hand**).
2. Release to stop throwing snow.

TO USE WHEEL LOCKOUT PIN

1. The right hand wheel is secured to the axle with a **klick pin**. This unit was shipped with this klick pin in the **locked position (through wheel hole)**. See Figure 11.



OPERATION

- For ease of maneuverability in light snow conditions, disconnect the **klick pin** from the wheel **locked position** and push into the single wheel drive position (**unlocked axle hole only**). See Figure 12.

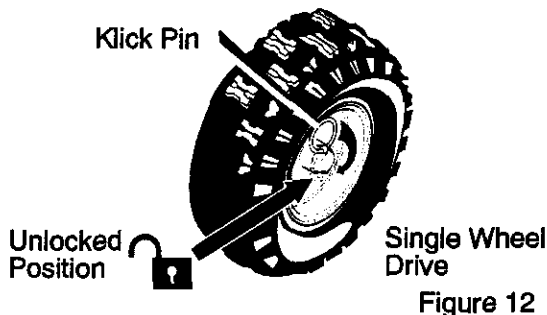


Figure 12

NOTE: Make sure that the klick pin is in the single wheel drive position of the axle only and not through the locked position.

BEFORE STARTING THE ENGINE

- Before you service or start the engine, familiarize yourself with the snow thrower. Be sure you understand the function and location of all controls.
- Check the tension of clutch cable before starting the engine. See **To Adjust The Control Cable** paragraph in the **Service & Adjustments** section of this manual.
- Be sure that all fasteners are tight.
- Make sure the height adjust skids are properly adjusted. See **To Adjust Skid Height** paragraph in the **Service & Adjustments** section of this manual.
- Check tire pressure (**14-17 pounds**). Do not exceed maximum amount of pressure.

CHECK THE OIL:

NOTE: The engine was shipped from the factory filled with oil. Check the level of the oil. Add oil as needed.

To Add Oil

- Make sure the unit is level.

NOTE: Do not check the level of the oil while the engine runs.

- Remove the oil fill cap/dipstick and wipe with a clean cloth.
- Insert the oil fill cap/dipstick and turn clockwise to tighten.
- Remove the oil fill cap/dipstick and check the oil.
- If necessary, add oil until the oil reaches the **FULL** mark on the oil fill cap/dipstick (see Figure 13). Do not add too much oil.

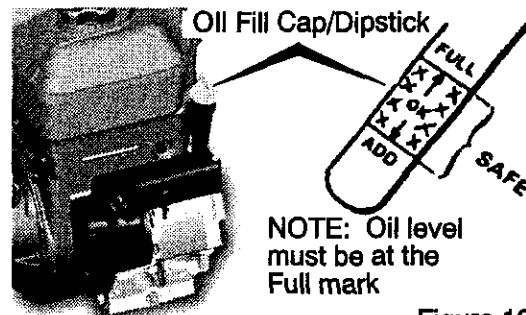


Figure 13

- Tighten the fill cap/dipstick securely each time you check the oil level.

NOTE: Synthetic oil can assist with starting in extreme cold temperatures. Synthetic 5W30 is acceptable for all temperatures. **DO NOT** mix oil with gasoline.

FILL GAS:

This engine is certified to operate on gasoline. Exhaust Emission Control System: EM (Engine Modifications).

WARNING: Alcohol blended fuels (called gasohol or those using ethanol or methanol) can attract moisture which leads to separation and formation of acids during storage. Acidic gas can damage the fuel system of an engine while in storage.

NOTE: To avoid engine problems, the fuel system must be emptied before storage for 30 days or longer. Start the engine and let it run until the fuel lines and carburetor are empty. Use fresh fuel next season. See the **Storage** section in this manual for additional information.

OPERATION

Never use engine or carburetor cleaner products in the fuel tank or permanent damage may occur.

Fill the fuel tank only with a fresh, clean, unleaded regular, unleaded premium, or reformulated automotive gasoline with a minimum of 85 octane. **DO NOT** use

leaded gasoline. Make sure that the container you pour the gasoline from is clean and free from rust or other foreign particles. Never use gasoline that may be stale from long periods of storage in the container.



WARNING: Gasoline is flammable. Always use caution when handling or storing gasoline.

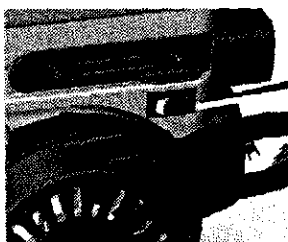
- Turn engine off and let engine cool at least two minutes before removing the gas cap.
- Do not fill fuel tank while snow thrower is running, when it is hot, or when snow thrower is in an enclosed area.
- Keep away from open flame or an electrical spark and do not smoke while filling the fuel tank.

- Never fill the tank completely. Fill the tank to approximately 1-1/2" below the top of the tank opening to provide space for expansion of fuel.
- Always fill fuel tank outdoors and use a funnel or spout to prevent spilling.
- Make sure to wipe up any spilled fuel before starting the engine.
- Store gasoline in a clean, approved container and keep the cap in place on the container.

TO STOP ENGINE

CAUTION: To stop the engine, do not move the choke control to CHOKE position. Backfire or engine damage can occur.

1. Push the **stop switch** to the OFF position.



Stop Switch

Figure 14

2. Pull out the **safety key**.



Safety Key

Figure 15

TO START ENGINE

Be sure that the engine oil is at FULL mark on dipstick. The snow thrower engine is equipped with a 120 volt A.C. electric starter and recoil starter. Before starting the engine, be certain that you have read the following information. If engine floods, set the choke to the OPEN/RUN position and crank until the engine starts.



WARNING: Rapid retraction of the starter cord (kick-back) will pull your hand or arm toward the engine faster than you can let go of the starter cord. Broken bones, fractures, bruises, or sprains could result.

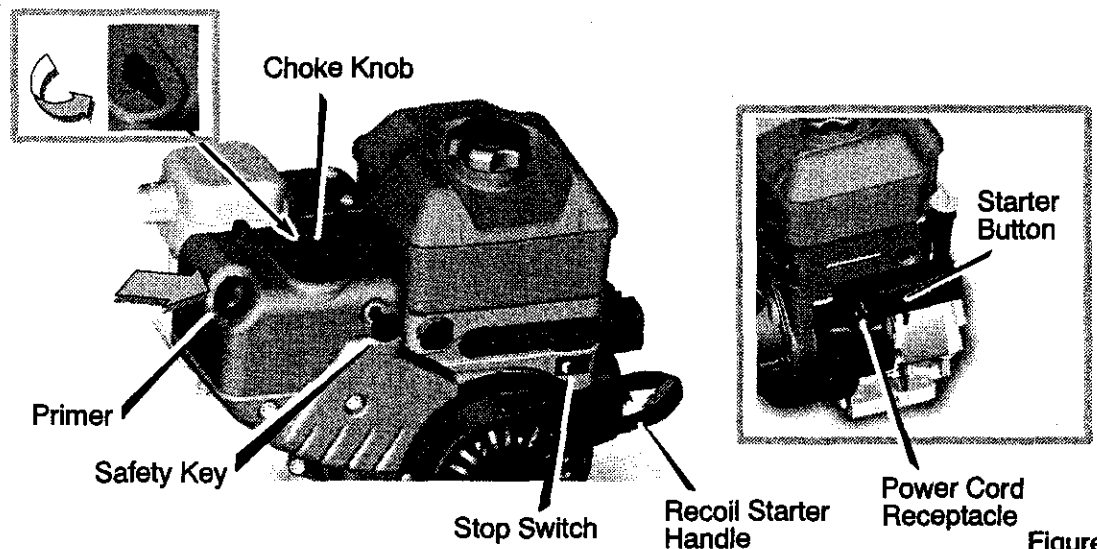
- When starting the engine, slowly pull the starter cord until resistance is felt. Then, rapidly pull the starter cord.
- Before starting the engine, remove all external equipment/engine loads.
- Make sure components; such as impellers, pulleys or sprockets, are securely attached.

OPERATION



WARNING: The starter is equipped with a three-wire power cord and plug and is designed to operate on 120 volt AC household current. It must be properly grounded at all times to avoid the possibility of electrical shock which may be injurious to operator.

- Follow all instructions carefully as set forth in the "To Start Engine" section.
- Determine that your house wiring is a three-wire grounded system. Ask a licensed electrician if you are not sure. If your house wire system is not a three-wire system, do not use this electric starter under any conditions.
- If your system is grounded and a three-hole receptacle is not available at the point your starter will normally be used, one should be installed by a licensed electrician.
- When connecting 120 volt AC "Power Cord", always connect the cord to the Switch Box on the engine first, then plug the other end into the three-hole grounded receptacle. When disconnecting "Power Cord", always unplug the end in the three-hole grounded receptacle first.



How To Start A Cold Engine

1. Be sure auger drive and traction drive levers are in the disengaged (**RELEASED**) position.
2. Push the **stop switch** to the ON position (see Figure 16).
3. Push in the **safety key**.
4. Rotate the **choke knob** to the **CHOKE** position.
5. (**Electric Start**) Plug the power cord into the **starter motor** on the engine. Plug the other end of power cord into a three-hole, grounded 120 VOLT, AC receptacle.
6. Push the **primer button** as specified below. Remove finger from primer button between pushes.
 - Push two times if temperature is 15° F (-9° C) or higher.
 - Push four times if temperature is below 15° F (-9° C).
7. (**Electric Start**) Push down on the **starter button** until the engine starts. To prolong the life of the starter, do not crank for more than 5 seconds at a time. Wait one minute between starts to allow the starter motor to cool.
8. (**Recoil Start**) Slowly pull the **recoil starter handle** until resistance is

OPERATION

felt and then pull rapidly to start the engine. Do not allow the **recoil starter handle** to snap back. Slowly return the **recoil starter handle**.

9. If the engine does not start in 5 or 6 tries, See Difficult Starting in the "Troubleshooting Table".
10. Allow the engine to warm up for several minutes. As the engine warms up, adjust the **choke knob** toward the RUN position. Wait until the engine runs smoothly before each choke adjustment.
11. **(Electric Start)** First disconnect power cord from receptacle. Then, disconnect the power cord from the **starter motor**.

How To Start A Warm Engine

If restarting a warm engine after a short shutdown, leave the choke lever in the off position and do not push the primer button. If the engine fails to start, follow the Cold Start instructions.

Frozen Starter

If the starter is frozen and will not turn the engine, follow the steps below.

1. Pull as much starter rope as possible out of the starter.
2. Release the starter handle and let it snap back against the starter. Repeat until the engine starts.

Warm engines will cause condensation in cold weather. To prevent possible freeze-up of recoil starter and engine controls, proceed as follows after each snow removal job.

1. With engine off, allow engine to cool for several minutes.
2. Pull starter rope very slowly until resistance is felt, then stop. Allow the starter rope to recoil. Repeat three times.
3. With the engine not running, wipe all snow and moisture from the carburetor cover in area of controls and levers. Also, move the choke control and starter handle several times.



WARNING: Never run engine indoors or in enclosed, poorly ventilated areas. Engine exhaust contains CARBON MONOXIDE, AN ODORLESS AND DEADLY GAS. Keep hands, feet, hair and loose clothing away from any moving parts on engine and snow thrower.

- **Engine parts, especially the muffler, become extremely hot. Severe thermal burns can occur on contact. Allow the engine to cool before touching.**
- **Never allow children to operate the snow thrower. Never allow adults to operate the snow thrower without proper instruction.**
- **Keep the area of operation clear of all persons, particularly small children and pets.**
- **Never leave the snowthrower unattended while the engine is running. Anyone operating the engine or equipment must carefully read and understand the operating instructions.**

OPERATION

TO REMOVE SNOW FROM AUGER



WARNING: Do not attempt to remove snow or debris that may become lodged in auger with your hands. Use the cleaning stick to remove snow or debris.

A cleaning stick is attached to the top of the auger housing. Use the cleaning

stick to remove snow from the auger housing.

- Release auger drive lever.
- Remove (do not turn) safety key.
- Disconnect spark plug wire.
- Do not place your hands in the auger or discharge chute. Use the cleaning stick to remove snow.

SNOW THROWING TIPS

1. For maximum snow thrower efficiency in removing snow, adjust ground speed. Go slower in deep, freezing or wet snow. If the wheels slips, reduce forward speed.
2. Most efficient snow throwing is accomplished when the snow is removed immediately after it falls.
3. For complete snow removal, slightly overlap each path previously taken.
4. The snow should be discharged down wind whenever possible.
5. For normal usage, set the skids so that the scraper bar is 1/8" above the skids. For extremely hard-packed snow surfaces, adjust the skids upward so that the scraper bar touches the ground.
6. On gravel or crushed rock surfaces, set the skids at 1-1/4" below the scraper bar. See **To Adjust Skid Height** paragraph in the **Service & Adjustments** section of this manual. Rocks and gravel must not be picked up and thrown by the machine.
7. After the snow throwing job has been completed, allow the engine to idle for a few minutes, which will melt snow and accumulated ice off the engine.
8. Clean the snow thrower thoroughly after each use.
9. Remove ice and snow accumulation and all debris from the entire snow thrower, and flush with water (if possible) to remove all salt or other chemicals. Wipe snow thrower dry.

MAINTENANCE

CUSTOMER RESPONSIBILITIES

SERVICE RECORDS Fill in dates as you complete regular service.	Before Each Use	Often	Every 8 Hours	Every 25 Hours	Every 50 Hours	Every 100 Hours	Each Season	Before Storage
Check Engine Oil Level	√		√					
Change Engine Oil					√			
Tighten All Screws and Nuts	√	√						
Check and Clean Spark Plug				√				
Replace Spark Plug						√		
Clean and Inspect Spark Arrestor					√			
Lubricate Chute Control Flange								√
Check Fuel	√							
Check Adjustment of Auger Control Cable				√				
Auger Drive Belt *				√				
Check Tire Pressure				√				

* Adjust after 2 to 4 hours of use.

GENERAL RECOMMENDATIONS

The warranty on this snow thrower does not cover items that have been subjected to operator abuse or negligence. To receive full value from the warranty, the operator must maintain the snow thrower as instructed in this manual.

Some adjustments will need to be made periodically to properly maintain your snow thrower.

Maintenance, replacement, or repair of the emission control devices and systems can be performed by any non-road engine repair establishment or individual. Regular maintenance will improve the performance and extend the life of the engine.



WARNING: Do not strike the flywheel with a hammer or a hard object. If done, the flywheel can shatter during operation.

Do not tamper with the governor spring, links or other parts to increase engine speed.

AFTER EACH USE

- Run the machine to clear the auger of snow.
- To prevent freezing of the auger or controls, remove all snow and slush from the snow thrower.
- Check for any loose or damaged parts.
- Tighten any loose fasteners.
- Check and maintain the auger.
- Check controls to make sure they are functioning properly.
- If any parts are worn or damaged, replace immediately.

MAINTENANCE

ENGINE SPECIFICATIONS

HORSEPOWER	8.5 HP
DISPLACEMENT	249 cc
BORE	75mm (2.970 in.)
STROKE	56mm (2.205 in.)
GASOLINE CAPACITY	3 quarts (unleaded)
OIL CAPACITY (18 oz capacity)	5W30
SPARK PLUG:	Champion RJ19LM (Gap .030 in.) or equivalent
VALVE CLEARANCE:	Intake: 0.004-0.006 in. Exhaust: 0.009-0.011 in.
ARMATURE AIR GAP:	0.010-0.014 in.

POWER RATINGS

The power ratings for an individual engine model are initially developed by starting with SAE (Society of Automotive Engineers) code J1940 (Small Engine Power & Torque Rating Procedure) (Revision 2002-05). Given both the wide array of products on which our engines are placed, and the variety of environmental issues applicable to operating the equipment, it may be that the engine you have purchased will not develop the rated horsepower when used in a piece of power equipment (actual "on-site" power). This difference is due to a variety of factors including, but not limited to, the following: differences in altitude, temperature, barometric pressure, humidity, fuel, engine lubrication, maximum governed engine speed, individual engine to engine variability, design of the particular piece of power equipment, the manner in which the engine is operated, engine run-in to reduce friction and clean out of combustion chambers, adjustments to the valves and carburetor, and other factors. The power ratings may also be adjusted based on comparisons to other similar engines utilized in similar applications, and will therefore not necessarily match the values derived using the foregoing codes.

SNOW THROWER

AUGER DRIVE BELT

Adjust the auger drive belt after the first 2 to 4 hours of use, again about mid-season and twice each season thereafter (See to "Belt Adjustment" in the Service and Adjustment section).

CHAIN LUBRICATION EVERY 25 HOURS

1. Position speed selector lever in first (1) forward gear.
2. Stand the snow blower up on the auger housing end.

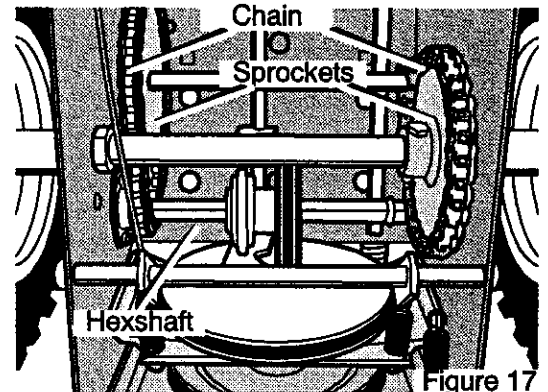
NOTE: When the crank case is filled with oil, do not leave the snow blower standing up on the auger housing for an extended period of time.

3. Remove the bottom panel.
4. Lubricate the chains with a chain type lubricant.
5. For storage, wipe the hexshaft and sprockets with 5W30 motor oil.

NOTE: Clean all excess grease or oil found on the rubber friction wheel or the disc drive plate.

CAUTION: Do not allow grease or oil to contact the rubber friction wheel or the disc drive plate.

6. Install the bottom panel.



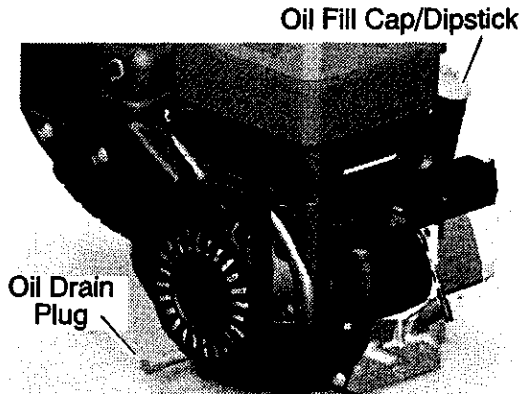
AUGER GEAR BOX

The auger gear box is lubricated at the factory and should not require additional lubrication. If for some reason the lubricant should leak out, have auger gear case checked by a competent repairman.

MAINTENANCE

ENGINE LUBRICATION

Check the crankcase oil level before starting the engine and after each eight (8) hours of continuous use. See Figure 18. Add S.A.E. 5W30 motor oil as needed. Synthetic 5W30 is acceptable for all temperatures. Tighten fill cap/dipstick securely each time you check the oil level.



NOTE: Oil level must be at FULL mark.
Figure 18

Change the oil every fifty (50) hours or at least once a year if the snow thrower is not used for fifty (50) hours.

TO CHANGE ENGINE OIL

1. Position the snow thrower so that the **oil drain plug** is at the lowest point on the engine.
2. When the engine is warm, remove the **oil drain plug** and the **oil fill cap/dipstick** (see Figure 18). Drain the oil into a suitable container.
3. After draining all the oil, reinstall the oil drain plug securely.
4. Fill the engine crankcase with the recommended motor oil, pouring slowly. **DO NOT OVERFILL.** See "To Add Oil" in the Operation Section.

SPARK PLUG

Check the **spark plug** every twenty-five (25) hours. Replace the **spark plug** if the electrodes are pitted or burned, if the porcelain is cracked, or every 100 hours of use.

1. Make sure the **spark plug** is clean. Clean the **spark plug** by carefully scraping the electrodes (**do not sand blast or use a wire brush**).
2. Check the **spark plug** gap with a **feeler gauge** and reset gap to 0.30" if necessary. See Figure 19.

3. Before installing the **spark plug**, coat the threads lightly with oil for easy removal. Tighten the spark plug to a torque of 15 foot-pounds.

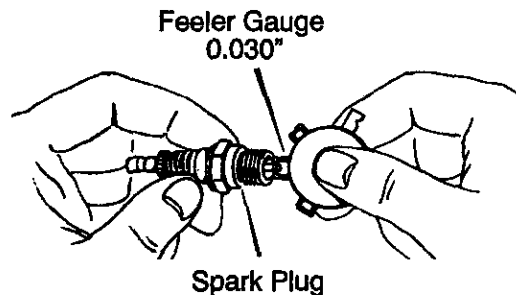


Figure 19

SERVICE AND ADJUSTMENT



WARNING: Always disconnect the spark plug wire and place it where it cannot make contact with spark plug to prevent accidental starting when making any adjustments or repairs.

TO ADJUST SKID HEIGHT

This snow thrower is equipped with two height adjustment skids, located on the outside of the auger housing. See Figure 20.

These skids elevate the front of the snow thrower.

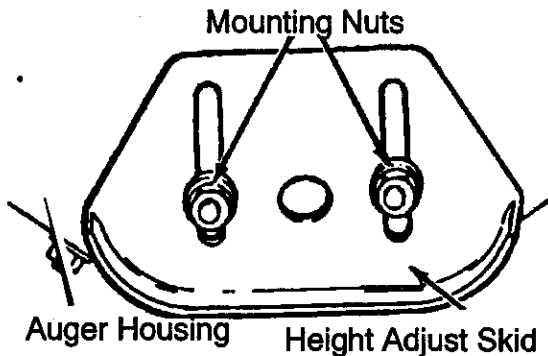


Figure 20

For normal hard surfaces, such as a paved driveway or walk, adjust the skids as follows.

1. Position the snow thrower on a level surface.
2. Make sure both tires are equally inflated. Proper tire pressure is 14 to 17 PSI. See side of tire for maximum inflation. Do not exceed maximum sidewall pressure on tire.
3. Place the extra shear bolts supplied with the unit under each end of the scraper bar next to the adjustable skids.
4. Loosen the mounting nuts that hold the adjustable skids. To bring the front of the snow thrower down,

raise the adjustable skids. Tighten the mounting nuts. See Figure 20.

NOTE: For rocky or uneven surfaces, raise the front of the snow thrower by moving the skids down.



WARNING: Be certain to maintain proper ground clearance for your particular area to be cleared. Objects such as gravel, rocks or other debris, if struck by the impeller, may be thrown with sufficient force to cause personal injury, property damage or damage to the snow thrower.

TO ADJUST SCRAPER BAR

After considerable use, the metal scraper bar will have a definite wear pattern. The scraper bar in conjunction with the skids should always be adjusted to allow 1/8" between the scraper bar and the sidewalk or area to be cleaned.

1. Position the snow thrower on a level surface.
2. Make sure both tires are equally inflated. Proper tire pressure is 14 to 17 PSI. See side of tire for maximum inflation. Do not exceed maximum sidewall pressure on tire.
3. Loosen the carriage bolts and nuts securing the scraper bar to the auger housing.
4. Adjust the scraper bar to the proper position.
5. Tighten the carriage bolts and nuts, making sure that the scraper bar is parallel with the working surface.
6. For extended operation, the scraper bar may be reversed. If the scraper bar must be replaced due to wear, remove the carriage bolts and nuts and install a new scraper bar.

SERVICE AND ADJUSTMENT

HOW TO REMOVE THE SNOW HOOD

To access the spark plug, the snow hood must be removed as follows:

1. Remove the choke control knob (see Figure 21).
2. Remove the **safety key**.
3. Remove the **mounting screws** (see Figure 22).
4. Slowly remove the snow hood. Make sure that the **primer button hose** and the **ignition wire** are not disconnected.
5. The **spark plug** can now be accessed.
6. To install the snow hood, first make sure that the primer button hose and the ignition wire are connected.
7. Mount the snow hood to the engine and secure with the mounting screws (see Figure 22).
8. Connect the choke control knob with the choke shaft on the carburetor (see Figure 23 and Figure 24). Make sure the choke control knob is properly installed. If the choke control knob is not installed correctly, the choke will not operate.
9. Install the **safety key**.

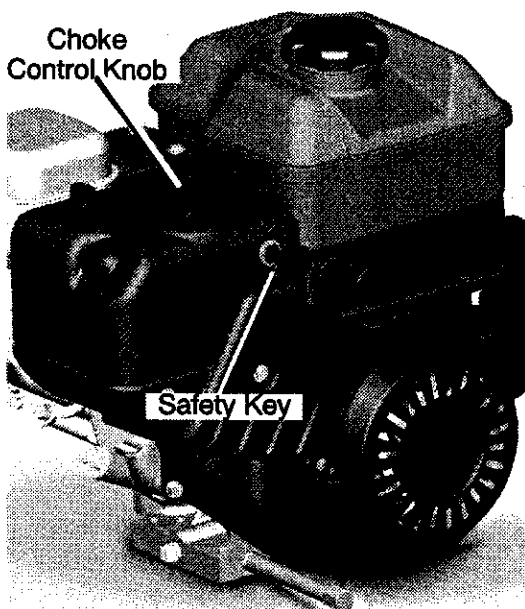


Figure 21

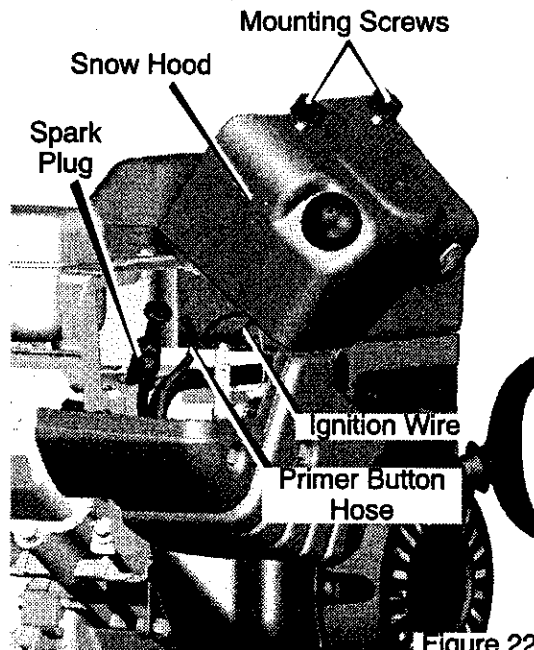


Figure 22

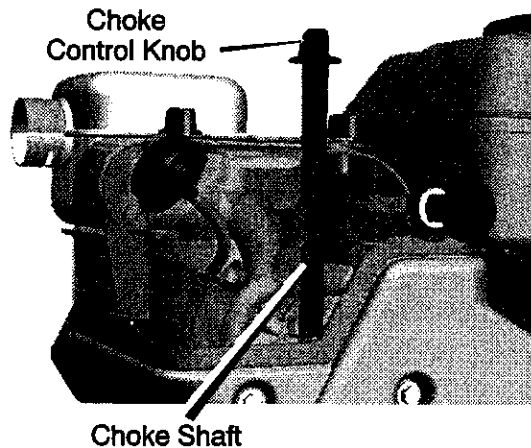


Figure 23

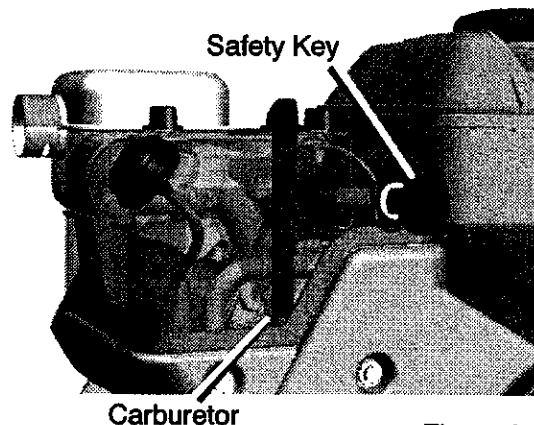


Figure 24

SERVICE AND ADJUSTMENT

BELT ADJUSTMENT

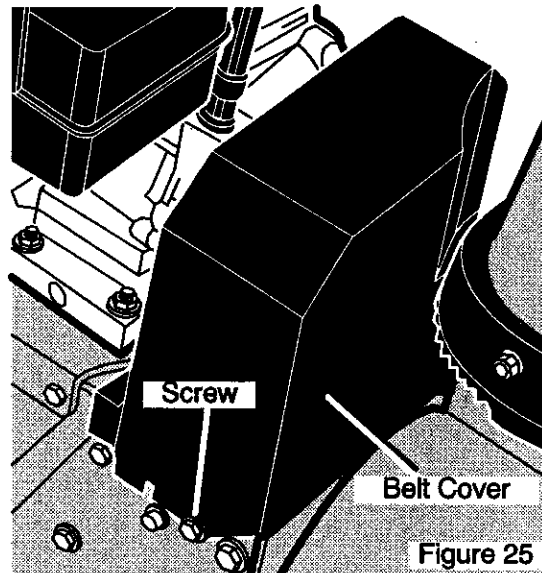
Traction Drive Belt

The traction drive belt has constant spring pressure and does not require an adjustment. If the traction drive belt is slipping, replace the belt. See "How To Replace The Belts" in the Service And Adjustment section.

Auger Drive Belt

If your snow blower will not discharge snow, check the control cable adjustment. If it is correct, then check the condition of the auger drive belt. If it is damaged or loose, replace it (see "How To Replace The Belts" in this section of the manual).

1. Disconnect spark plug wire.
2. Remove **screw** from **belt cover**.
Remove **belt cover** (see Figure 25).



3. Loosen nut on auger idler pulley and move auger idler pulley towards belt about 1/8 inch (3 mm) (see Figure 29).
4. Tighten nut.

5. Have someone engage auger drive clutch. Check tension on belt (opposite idler pulley). Belt should deflect about 1/2 inch (12.5 mm) with moderate pressure (Figure 26). You may have to move idler pulley more than once to obtain the correct tension.

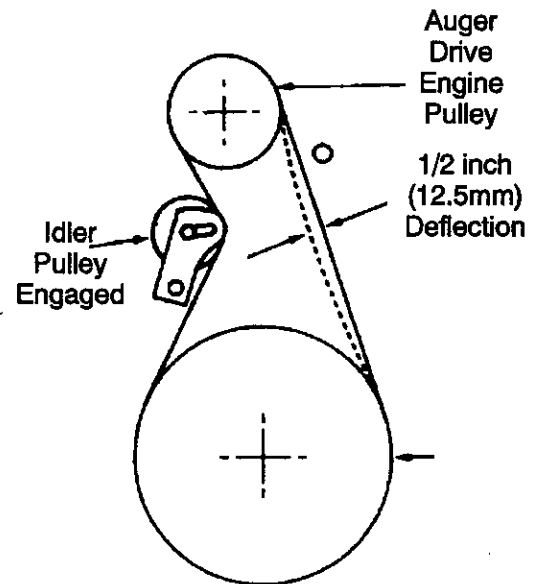


Figure 26

6. Reinstall belt cover.
7. Whenever belts are adjusted or replaced, the cables will need to be adjusted. (See Cable Adjustment in this section of the manual).
8. Attach the spark plug wire.

SERVICE AND ADJUSTMENT

HOW TO REPLACE THE BELTS

The drive belts are of special construction and must be replaced with original equipment replacement belts available from your nearest Sears service center. Some steps require the assistance of a second person.

How To Remove the Auger Drive Belt

If the auger drive belt is damaged, the snow thrower will not discharge snow. Replace the damaged belt as follows.

1. Disconnect the spark plug wire.
2. Loosen the bolts on each side of the **bottom panel** (see Figure 27).
3. Remove the **bottom panel**.

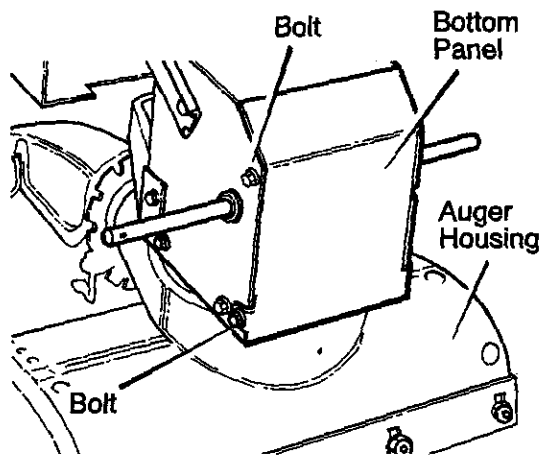


Figure 27

4. Remove **screw** from **belt cover**. Remove the **belt cover** (see Figure 25).
5. Loosen the **belt guide**. Pull the **belt guide** away from the **auger drive pulley** (see Figure 29).
6. Pull the **idler pulley** away from the **auger drive belt** and slip the **auger drive belt** off of the **idler pulley**.
7. Remove the **auger drive belt** from the **engine pulley**. To remove the **auger drive belt**, the **engine pulley** may have to be partially rotated.
8. Remove the top four **bolts** that hold together the **auger housing** and the **motor box**. Loosen the bottom two **bolts**. The **auger housing** and the **motor box** can now be split apart for removal of the belt (see Figure 28).
9. Remove the old **auger drive belt** from the **auger drive pulley**. Replace the **auger drive belt** with an original factory replacement belt available from an authorized service center (see Figure 29).
10. Install the new **auger drive belt** onto the **auger drive pulley**.
NOTE: To assemble the auger housing to the motor box, have someone hold the auger clutch lever in the ENGAGED position. This will move the idler arm and pulley enough to allow the auger drive pulley to move back into position.
11. Assemble the **auger housing** to the **motor box** with the four **bolts** that were removed in step 8. Tighten the bottom two **bolts**.
12. Install the **auger drive belt** onto the **engine pulley**.
13. Slip the **auger drive belt** under the **idler pulley**.
14. Adjust the **auger drive belt**. See "How To Adjust The Auger Drive Belt" in the Service And Adjustment section.
15. Adjust the **belt guide**. See "How To Adjust The Belt Guide" in the Service And Adjustment section.
16. Install the **belt cover**. Tighten **screw** (See Figure 25).
17. Check the adjustment of the cables. See "How To Check And Adjust The Cables" in the Service And Adjustment section.
18. Install the **bottom panel** (see Figure 27).
19. Tighten the **bolts** on each side of the **bottom panel**.
20. Connect the spark plug wire.

SERVICE AND ADJUSTMENT

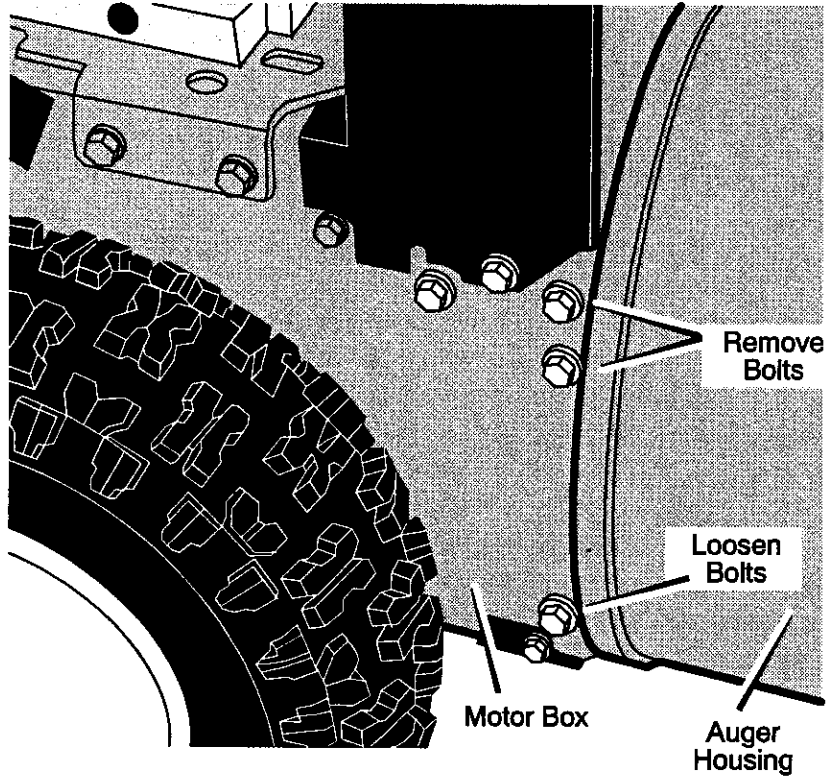


Figure 28

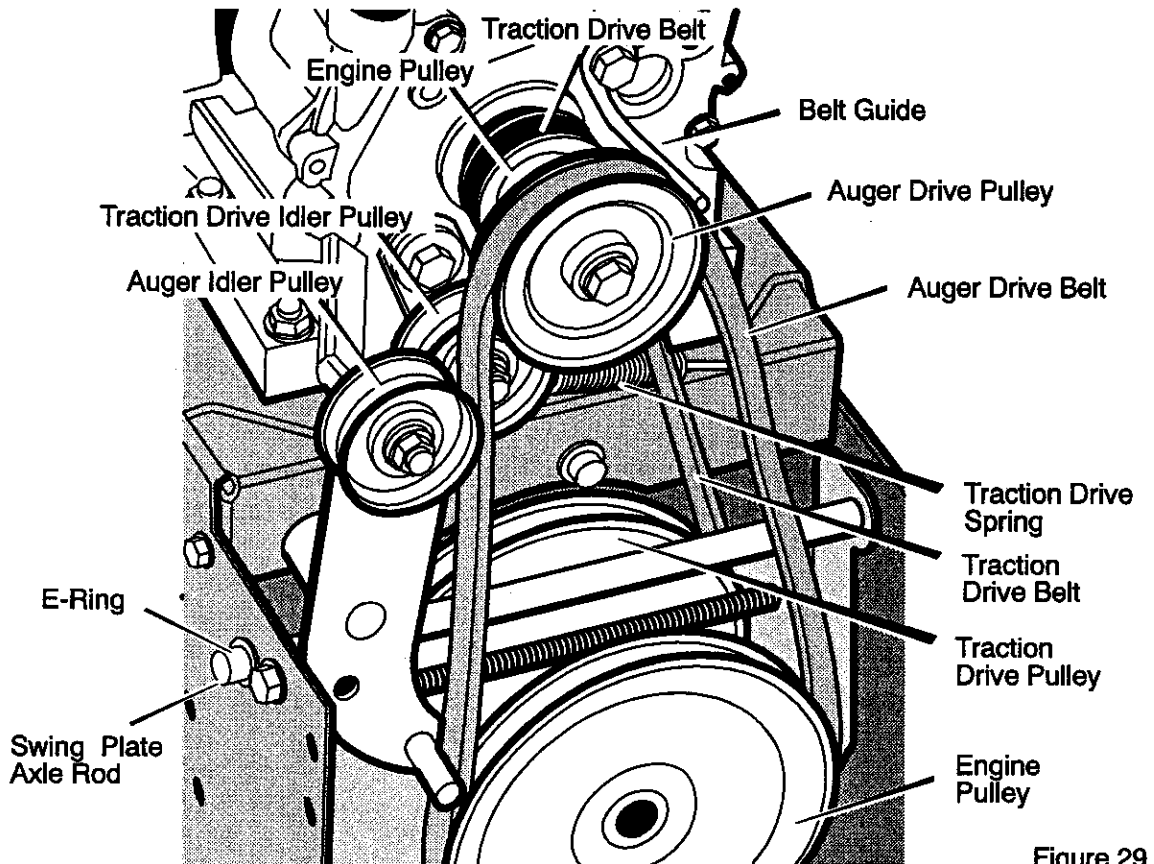


Figure 29

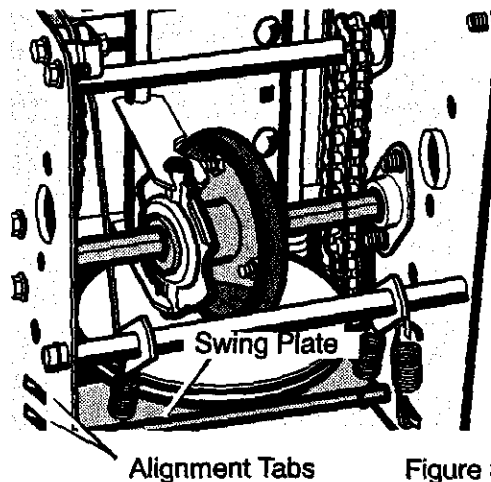
SERVICE AND ADJUSTMENT

How To Remove The Traction Drive Belt

If the snow thrower will not move forward, check the traction drive belt for wear or damage. If the traction drive belt is worn or damaged, replace the belt as follows.

1. Disconnect the spark plug wire.
2. Remove the auger drive belt. See "How To Remove The Auger Drive Belt" in the Service And Adjustment section.
3. Remove the **e-ring** from one end of the **swing plate axle rod**. Remove the **swing plate axle rod** to allow the swing plate to pivot forward (see Figure 29).
4. Remove the **traction drive spring**.
5. Remove the old **traction drive belt** from the **traction drive pulley** and from the **engine pulley**. Replace the **traction drive belt** with an original equipment replacement belt available from a Sears service center.
6. Install the new **traction drive belt** onto the **traction drive pulley** and onto **engine pulley**.
7. Make sure the **traction drive idler pulley** is properly aligned with the **traction drive belt**.
8. Attach the **traction drive spring**.
9. Install the **swing plate axle rod** and secure with the **e-ring** removed earlier.
10. The bottom of the **swing plate** must be positioned between the **alignment tabs**. Make sure the **swing**

plate is properly secured (see Figure 30).



Alignment Tabs Figure 30

NOTE: If the drive will not engage after the traction drive belt has been replaced, then check to make sure that the swing plate is positioned between the alignment tabs.

11. Install and adjust the **auger drive belt**. See "How To Remove The Auger Drive Belt" in the Service And Adjustment section.
12. Adjust the **belt guide**. See "How To Adjust The Belt Guide" in the Service And Adjustment section.
13. Install the **bottom panel** (see Figure 27).
14. Tighten the **bolts** on each side of the **bottom panel**.
15. Install the **belt cover**. Tighten **screw** (see Figure 25).
16. Check the adjustment of the cables. See "How To Check And Adjust The Cables" in the Service And Adjustment section.
17. Connect the spark plug wire.

SERVICE AND ADJUSTMENT

BELT GUIDE ADJUSTMENT

1. Remove spark plug wire.
2. Have someone engage auger drive.
3. Measure the distance between the belt guide and belt. The distance should be 1/8 inch (3.175 mm) for guide. See Figure 31.

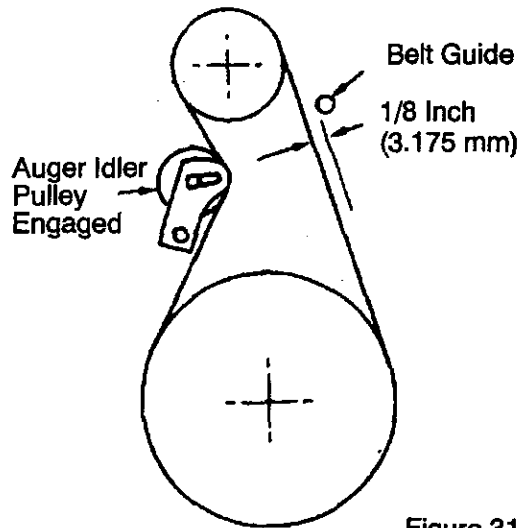


Figure 31

4. If adjustment is necessary, loosen belt guide mounting bolt. Move belt guide to the correct position. Tighten mounting bolt.
5. Reinstall belt cover.
6. Reconnect spark plug wire.

HOW TO CHECK AND ADJUST THE CABLES

The cables are adjusted at the factory and no adjustment should be necessary. If the cables have become stretched or are sagging adjustment will be necessary.

Whenever belts are adjusted or replaced, the cables will need to be adjusted.

To check for correct adjustment, unhook "Z" fitting at clutch lever (see Figure 32).

1. Move clutch lever to the full forward position (just contacting plastic bumper). Holding cable tight, note position of fitting to hole in clutch lever.

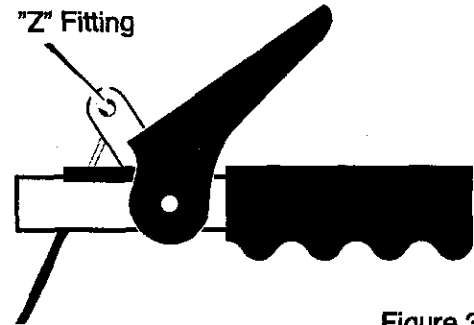


Figure 32

2. The center of the "Z" fitting should be between the center and top of the hole in the clutch lever. Adjust either the auger drive cable or the traction drive cable as necessary according to the following instructions.

Auger Drive Cable Adjustment

1. Run the engine until the fuel tank is empty and the engine stops.
2. Stand the snow thrower up on the front end of the auger housing.
3. Push cable through spring to expose the threaded portion of the cable (see Figure 33).

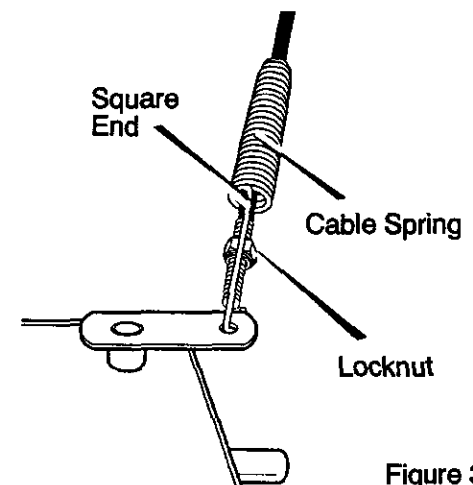


Figure 33

4. Hold square end of threaded portion with pliers and adjust locknut in or out until correct adjustment is reached. Pull cable back through spring and connect cable.

SERVICE AND ADJUSTMENT

TRACTION DRIVE CABLE ADJUSTMENT

1. Run the engine until the fuel tank is empty and the engine stops.
2. Stand the snow thrower up on the front end of the auger housing.
3. Loosen the bolts on each side of the bottom panel (see Figure 34).
4. Remove the bottom panel.
5. Disconnect the "Z" fitting from the drive lever (see Figure 32).
6. Slide the cable boot off the cable adjustment bracket (see Figure 35).
7. Push the bottom of the traction drive cable through the cable adjustment bracket until the "Z" hook can be removed.
8. Remove the "Z" hook from the cable adjustment bracket. Move the "Z" hook down to the next adjustment hole.
9. Pull the traction drive cable up through the cable adjustment bracket.
10. Put the cable boot over the cable adjustment bracket.
11. Install the "Z" hook to the traction drive lever (see Figure 32).
12. To check the adjustment, depress the drive lever and check the length of one of the drive springs. In correct adjustment, the length of the drive spring is:
minimum 3" (76 mm.)
maximum 3-3/8" (85 mm.)
(see Figure 36).

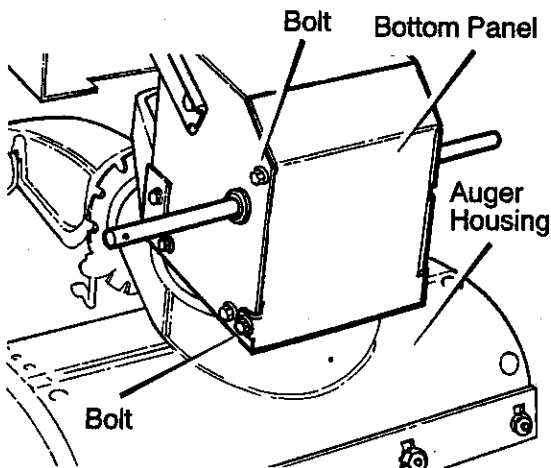


Figure 34

4. Remove the bottom panel.
5. Disconnect the "Z" fitting from the drive lever (see Figure 32).
6. Slide the cable boot off the cable adjustment bracket (see Figure 35).

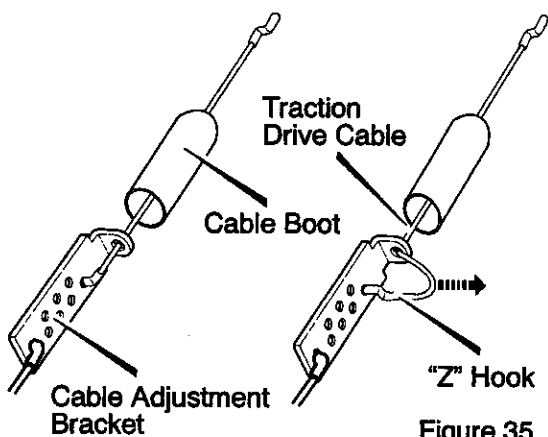
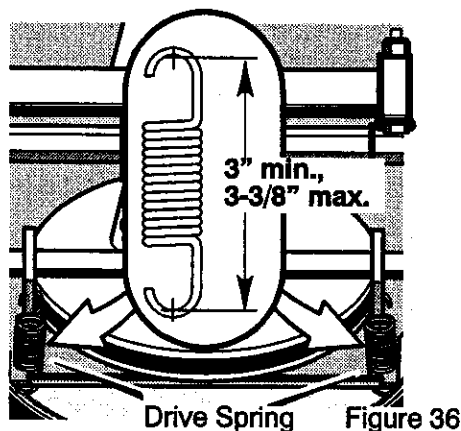


Figure 35



SERVICE AND ADJUSTMENT

HOW TO ADJUST OR REPLACE THE FRICTION WHEEL

How To Check The Friction Wheel

If the snow thrower will not move forward, check the traction drive belt, the traction drive cable or the friction wheel. If the friction wheel is worn or damaged, it must be replaced. See "How To Replace the Friction Wheel" in this section. If the friction wheel is not worn or damaged, check as follows.

1. Run the engine until the fuel tank is empty and the engine stops.
2. Stand the snow thrower up on the front end of the **auger housing** (see Figure 37).
3. Disconnect the spark plug wire.
4. Loosen the **bolts** on each side of the **bottom panel** (see Figure 37).
5. Remove the **bottom panel**.
6. Position the **shift speed lever** in the lowest forward speed.
7. Note the position of the **friction wheel** (see Figure 38). The correct distance "A" from the right side of the **friction wheel** to the outside of the motorbox is as follows:

Tire Size	Distance "A"
12 and 13 inch	4-1/8"
16 inch	4-5/16"

If the **friction wheel** is not in the correct position, adjust according to the following instructions.

How To Adjust The Friction Wheel

1. Position the **shift speed lever** in the lowest forward speed.
2. Loosen the **bolts** on the **speed control rod** (see Figure 39).
3. Move the **friction wheel** to the correct position (see Figure 38).
4. Tighten the **bolts** on the **speed control rod** (see Figure 39).

5. Install the **bottom panel** (see Figure 37).
6. Tighten the **bolts** on each side of the **bottom panel**.

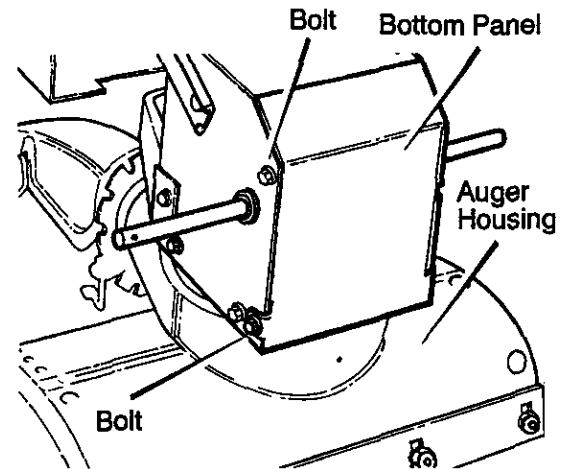


Figure 37

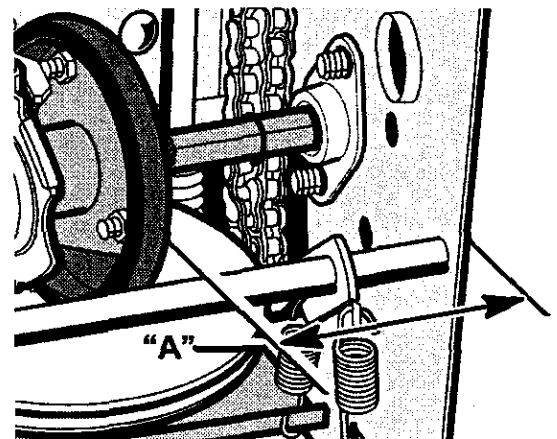


Figure 38

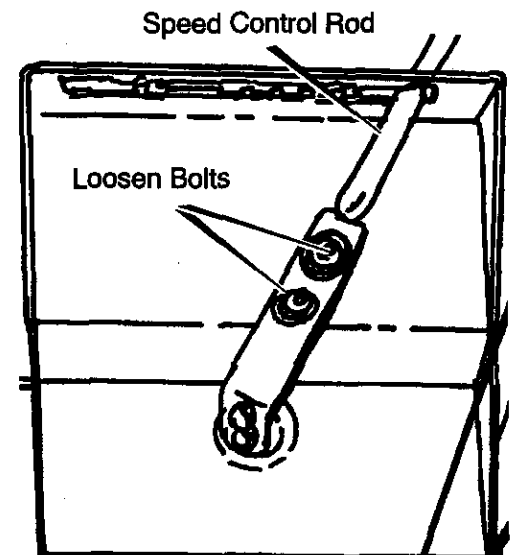


Figure 39

SERVICE AND ADJUSTMENT

How To Replace The Friction Wheel

If the friction wheel is worn or damaged, the snow thrower will not move forward. The friction wheel must be replaced as follows.

1. Run the engine until the fuel tank is empty and the engine stops.
2. Stand the snow thrower up on the front end of the **auger housing (4)**. (see Figure 37).
3. Disconnect the spark plug wire.
4. Remove the fasteners that secure the right **wheel**. Remove the **right wheel** from the **axle** (see Figure 40)
5. Loosen the **bolts** on each side of the **bottom panel**.
6. Remove the **bottom panel**.
7. Remove the fasteners that secure the **drive sprocket** to the **axle** (see Figure 41).
8. Remove the left wheel, **axle**, and **drive sprocket**.
9. Remove the four **bolts** that hold the **bearings** on each side of the **hex shaft** (see Figure 42).
10. Remove the **hex shaft** and **bearings**.

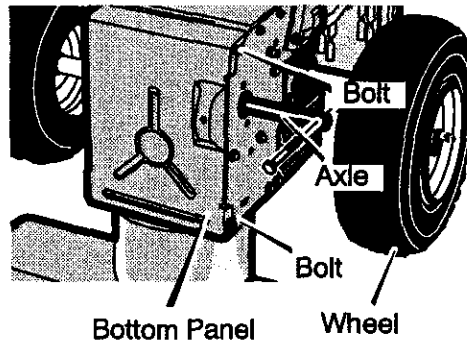


Figure 40

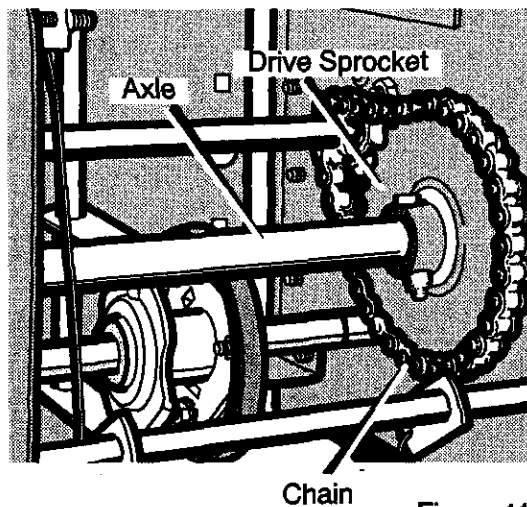


Figure 41

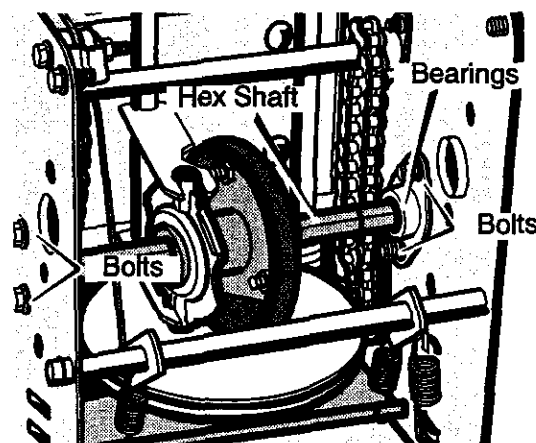


Figure 42

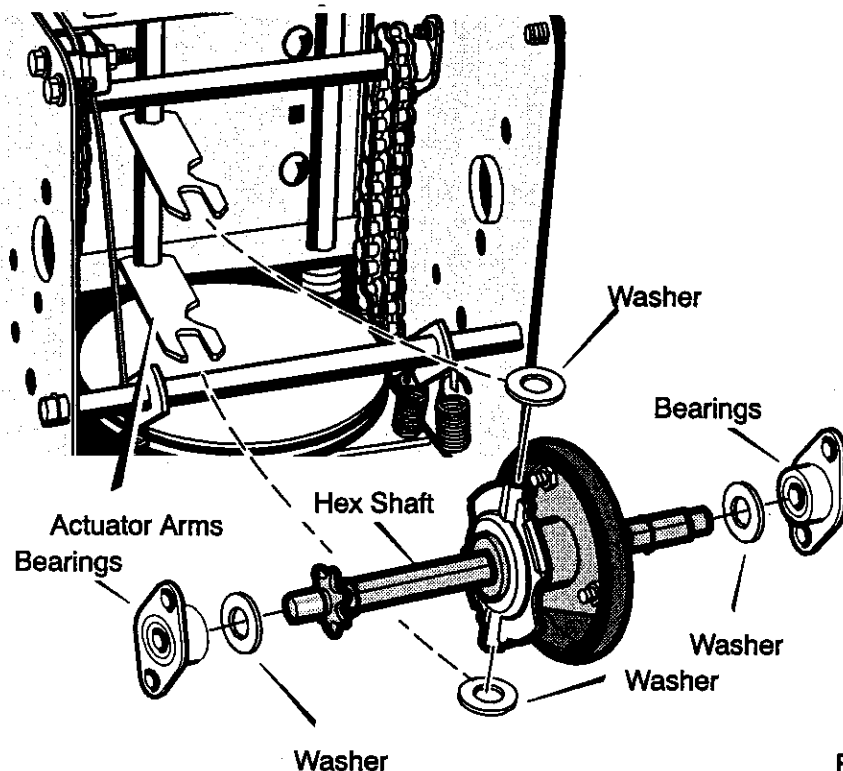
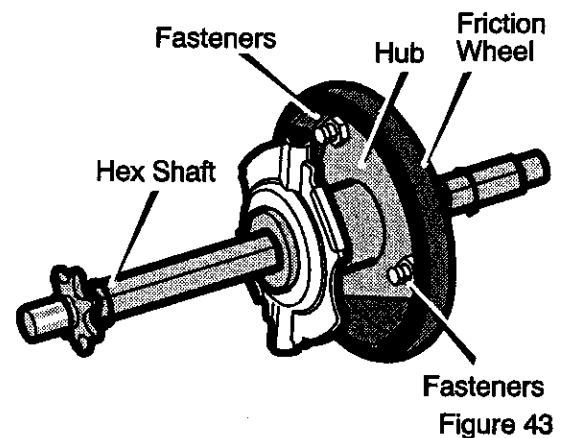
NOTE: Take special note of the position of the washers on the hex shaft.

SERVICE AND ADJUSTMENT

11. Remove the three **fasteners** that hold the **friction wheel** to the **hub** (see Figure 43).
12. Remove the **friction wheel** from the **hub**. Slip the **friction wheel** off the **hex shaft**.
13. Assemble the new **friction wheel** onto **hub** with the fasteners removed earlier.
14. Install the **hex shaft** and **bearings** with the four bolts removed earlier (see Figure 44).
15. Make sure the **hex shaft** turns freely.
16. Install the left wheel, axle, and **drive sprocket** with the fasteners removed earlier. Install the **chain** onto the **drive sprocket** (see Figure 41).
17. Check the adjustment of the friction wheel. See "How To Adjust The Friction Wheel" in this section.
18. Make sure the friction wheel and the disc drive plate are free from grease or oil.
19. Install the **bottom panel** (see Figure 40).
20. Tighten the **bolts** on each side of the **bottom panel**.
21. Install the **right wheel** to the **axle** with the fasteners removed earlier.
22. Connect the spark plug wire.

Make sure the washers are properly installed in the original position. Also, make sure the two washers are properly aligned with the actuator arms.

15. Make sure the **hex shaft** turns freely.
16. Install the left wheel, axle, and **drive sprocket** with the fasteners removed earlier. Install the **chain** onto the **drive sprocket** (see Figure 41).



SERVICE AND ADJUSTMENT

HOW TO REPLACE THE AUGER SHEAR BOLT

The augers are secured to the auger shaft with special shear bolts. These shear bolts are designed to break and protect the machine if an object becomes lodged in the auger housing. Do not use a harder bolt as the protection provided by the shear bolt will be lost.



WARNING: For safety and to protect the machine, use only original equipment shear bolts.

To replace a broken shear bolt, proceed as follows. Extra shear bolts were provided with the unit.

1. Stop the engine. Disengage all controls.
2. Disconnect the spark plug wire. Make sure all moving parts have stopped.
3. Align the hole in the auger with the hole in the auger shaft. Install the new **shear pin** and **spacer**. See Figure 45.
4. Connect the spark plug wire.

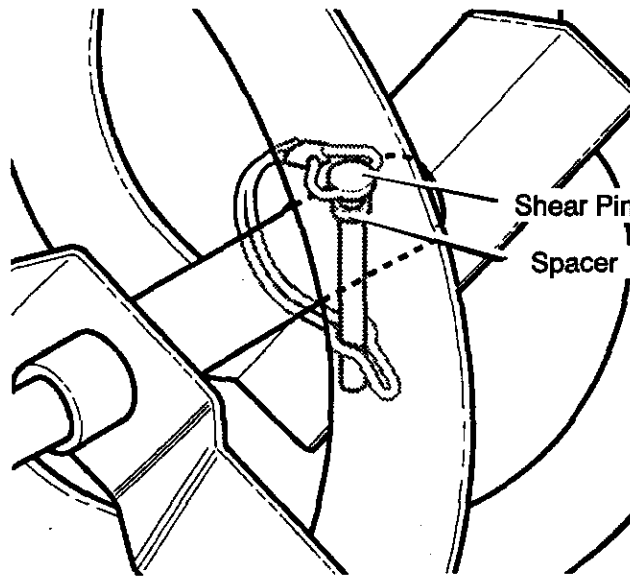


Figure 45

STORAGE



WARNING: Never store your snow thrower with gasoline in the fuel tank indoors or in an enclosed, poorly ventilated area. If gasoline remains in the tank, fumes may reach an open flame, spark or pilot light from a furnace, water heater, clothes dryer, cigarette, etc.

To prevent damage (if snow thrower is not used for more than 30 days) follow the steps below.

SNOW THROWER

1. Thoroughly clean the snow thrower.
2. Lubricate all lubrication points. See the **Maintenance** section.
3. Be sure that all nuts, bolts and screws are securely fastened. Inspect all visible moving parts for damage, breakage and wear. Replace if necessary.
4. Touch up all rusted or chipped paint surfaces; sand lightly before painting.
5. Cover the bare metal parts of the blower housing auger and the impeller with rust preventative, such as a spray lubricant.

NOTE: A yearly checkup or tune-up by a Sears service center is a good way of ensuring that your snow thrower will provide maximum performance for the next season.

ENGINE

Gasoline must be removed or treated to prevent gum deposits from forming in the fuel tank, filter, hose, and carburetor during storage. Also, during storage alcohol blended gasoline that uses ethanol or methanol (sometimes called gasohol) attracts water. It acts on the gasoline to form acids which damage the engine.

1. Run the engine until the fuel tank is empty and the engine stops.
2. If you do not remove the gasoline, use fuel stabilizer supplied with unit or purchase Craftsman Fuel Stabilizer No. 3550. Add fuel stabilizer to any gasoline left in the tank to minimize gum deposits and acids. If the fuel tank is almost empty, mix stabilizer with fresh gasoline in a separate container and add some to the fuel tank.
3. Always follow the instructions on the stabilizer container. After the stabilizer is added to the fuel tank, run the engine at least ten minutes to allow the mixture to reach the carburetor.
4. Change the engine oil.
5. Remove the spark plug and pour about 15 ml (1/2 oz) of engine oil into the cylinder. Replace the spark plug and crank slowly to distribute the oil.
6. Store in a clean and dry area, but NOT near a stove, furnace or water heater which uses a pilot light or any device that can create a spark.

OTHER

1. If possible, store your snow thrower indoors and cover it to give protection from dust and dirt.
2. If the snow thrower must be stored outdoors, put the snow thrower on blocks to raise it off of the ground.
3. Cover the snow thrower with a suitable protective cover that does not retain moisture. Do not use plastic.

IMPORTANT: Never cover snow thrower while engine and exhaust areas are still warm.

TROUBLESHOOTING

TROUBLE	CAUSE	CORRECTION
Difficult starting	Defective spark plug.	Replace spark plug.
	Water or dirt in fuel system.	Remove fuel from fuel tank. Add fresh fuel.
Engine runs erratically	Blocked fuel line, empty gas tank, or stale gasoline	Clean fuel line; check fuel supply; add fresh gasoline
Engine stalls	Unit running on CHOKE.	Set choke lever to OFF position.
Engine runs erratic; Loss of power	Water or dirt in fuel system.	Remove fuel from fuel tank. Add fresh fuel.
Excessive vibration	Loose parts: damaged impeller	Immediately stop engine. Remove ignition key. Tighten all fasteners and make all necessary repairs. If vibration continues, take the unit to a Sears service center.
Unit fails to propel itself	Traction drive belt loose or damaged.	Replace traction drive belt.
	Incorrect adjustment of traction drive cable	Adjust traction drive cable.
	Worn or damaged friction wheel.	Replace friction wheel.
Unit fails to discharge snow	Auger drive belt loose or damaged.	Adjust auger drive belt; replace if damaged.
	Auger control cable not adjusted correctly.	Adjust auger control cable.
	Shear bolt broken	Replace shear bolt
	Discharge chute clogged.	Stop engine immediately and disconnect spark plug wire. Clean discharge chute and inside of auger housing.
	Foreign object lodged in auger	Stop engine immediately and disconnect spark plug wire. Remove object from auger.

Sears, Roebuck and Co., U.S.A. (Sears), the California Air Resources Board (CARB) and the United States Environmental Protection Agency (U.S. EPA) Emission Control System Warranty Statement (Owner's Defect Warranty Rights and Obligations)

EMISSION CONTROL WARRANTY COVERAGE IS APPLICABLE TO CERTIFIED ENGINES PURCHASED IN CALIFORNIA IN 1995 AND THEREAFTER, WHICH ARE USED IN CALIFORNIA, AND TO CERTIFIED MODEL YEAR 1997 AND LATER ENGINES WHICH ARE PURCHASED AND USED ELSEWHERE IN THE UNITED STATES (AND AFTER JANUARY 1, 2001 IN CANADA).

California and United States Emission Control Defects Warranty Statement

The California Air Resources Board (CARB), U.S. EPA and Sears are pleased to explain the Emission Control System Warranty on your model year 2000 and later small off-road engine (SORE). In California, new small off-road engines must be designed, built and equipped to meet the State's stringent anti-smog standards. Elsewhere in the United States, new non-road, spark-ignition engines certified for model year 1997 and later must meet similar standards set forth by the U.S. EPA. Sears must warrant the emission control

system on your engine for the periods of time listed below, provided there has been no abuse, neglect or improper maintenance of your small off-road engine. Your emission control system includes parts such as the carburetor, air cleaner, ignition system, muffler and catalytic converter. Also included may be connectors and other emission related assemblies. Where a warrantable condition exists, Sears will repair your small off-road engine at no cost to you including diagnosis, parts and labor.

Sears Emission Control Defects Warranty Coverage

Small off-road engines are warranted relative to emission control parts defects for a period of two years, subject to provi-

sions set forth below. If any covered part on your engine is defective, the part will be repaired or replaced by Sears.

Owner's Warranty Responsibilities

As the small off-road engine owner, you are responsible for the performance of the required maintenance listed in your Operating and Maintenance Instructions. Sears recommends that you retain all your receipts covering maintenance on your small off-road engine, but Sears cannot deny warranty solely for the lack of receipts or for your failure to ensure the performance of all scheduled maintenance.

As the small off-road engine owner, you should however be aware that Sears may deny you warranty coverage if your small off-road engine or a part has failed due to abuse, neglect, improper maintenance or

unapproved modifications.

You are responsible for presenting your small off-road engine to an Authorized Sears Service Dealer as soon as a problem exists. The undisputed warranty repairs should be completed in a reasonable amount of time, not to exceed 30 days.

If you have any questions regarding your warranty rights and responsibilities, you should contact a Sears Service Representative at 1-800-469-4663.

The emission warranty is a defects warranty. Defects are judged on normal engine performance. The warranty is not related to an in-use emission test.

Sears Emission Control Defects Warranty Provisions

The following are specific provisions relative to your Emission Control Defects Warranty Coverage. It is in addition to the Sears engine warranty for non-regulated engines found in the Operating and Maintenance Instructions.

1. Warranted Parts

Coverage under this warranty extends only to the parts listed below (the emission control systems parts) to the extent these parts were present on the engine purchased.

- a. Fuel Metering System
 - Cold start enrichment system
 - Carburetor and internal parts
 - Fuel Pump
- b. Air Induction System
 - Air cleaner
 - Intake manifold
- c. Ignition System
 - Spark plug(s)
 - Magneto ignition system
- d. Catalyst System
 - Catalytic converter
 - Exhaust manifold
 - Air injection system or pulse valve
- e. Miscellaneous Items Used in Above Systems
 - Vacuum, temperature, position, time sensitive valves and switches
 - Connectors and assemblies

2. Length of Coverage

Sears warrants to the initial owner and each subsequent purchaser that the Warranted Parts shall be free from defects in materials and workmanship which caused the failure of the Warranted Parts for a period of two years from the date the engine is delivered to a retail purchaser.

3. No Charge

Repair or replacement of any Warranted Part will be performed at no charge to the owner, including diagnostic labor which leads to the determination that a Warranted Part is defective, if the diagnostic work is

performed at an Authorized Sears Service Dealer. For emissions warranty service contact your nearest Authorized Sears Service Dealer as listed in the "Yellow Pages" under "Engines, Gasoline," "Gasoline Engines," "Lawn Mowers," or similar category.

4. Claims and Coverage Exclusions

Warranty claims shall be filed in accordance with the provisions of the Sears Engine Warranty Policy. Warranty coverage shall be excluded for failures of Warranted Parts which are not original Sears parts or because of abuse, neglect or improper maintenance as set forth in the Sears Engine Warranty Policy. Sears is not liable to cover failures of Warranted Parts caused by the use of add-on, non-original, or modified parts.

5. Maintenance

Any Warranted Part which is not scheduled for replacement as required maintenance or which is scheduled only for regular inspection to the effect of "repair or replace as necessary" shall be warranted as to defects for the warranty period. Any Warranted Part which is scheduled for replacement as required maintenance shall be warranted as to defects only for the period of time up to the first scheduled replacement for that part. Any replacement part that is equivalent in performance and durability may be used in the performance of any maintenance or repairs. The owner is responsible for the performance of all required maintenance, as defined in the Sears Operating and Maintenance Instructions.

6. Consequential Coverage

Coverage hereunder shall extend to the failure of any engine components caused by the failure of any Warranted Part still under warranty.

In the USA and Canada, a 24 hour hot line, **1-800-469-4663**, has a menu of pre-recorded messages offering you engine maintenance information.

Look For Relevant Emissions Durability Period and Air Index Information On Your Engine Emissions Label

Engines that are certified to meet the California Air Resources Board (CARB) Tier 2 Emission Standards must display information regarding the Emissions Durability Period and the Air Index. Sears, Roebuck and Co., U.S.A. makes this information available to the consumer on our emission labels.

The **Emissions Durability Period** describes the number of hours of actual running time for which the engine is certified to be emissions compliant, assuming proper maintenance in accordance with the Operating & Maintenance Instructions. The following categories are used:

Moderate: Engine is certified to be emission compliant for 125 hours of actual engine running time.

Intermediate: Engine is certified to be emission compliant for 250 hours of actual engine running time.

Extended: Engine is certified to be emission compliant for 500 hours of actual engine running time.

For example, a typical walk-behind lawn mower is used 20 to 25 hours per year. Therefore, the **Emissions Durability Period** of an engine with an **intermediate** rating would equate to 10 to 12 years.

The **Air Index** is a calculated number describing the relative level of emissions for a specific engine family. The lower the **Air Index**, the cleaner the engine. This information is displayed in graphical form on the emissions label.

After July 1, 2000, Look For Emissions Compliance Period On Engine Emissions Compliance Label

After July 1, 2000 certain Sears, Roebuck and Co., U.S.A. engines will be certified to meet the United States Environmental Protection Agency (USEPA) Phase 2 emission standards. For Phase 2 certified engines, the Emissions Compliance Period referred to on the Emissions Compliance label indicates the number of operating hours for which the engine has been shown to meet Federal emission requirements. For engines less than 225 cc displacement, Category C = 125 hours, B = 250 hours and A = 500 hours. For engines of 225 cc or more, Category C = 250 hours, B = 500 hours and A = 1000 hours.

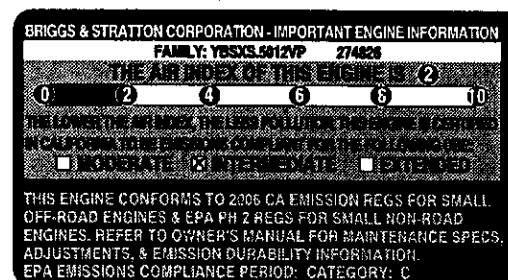
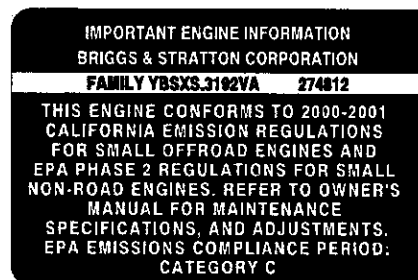
The displacement engines of Model Series 90000 is 148 cc.

The displacement engines of Model Series 120000 is 206 cc.

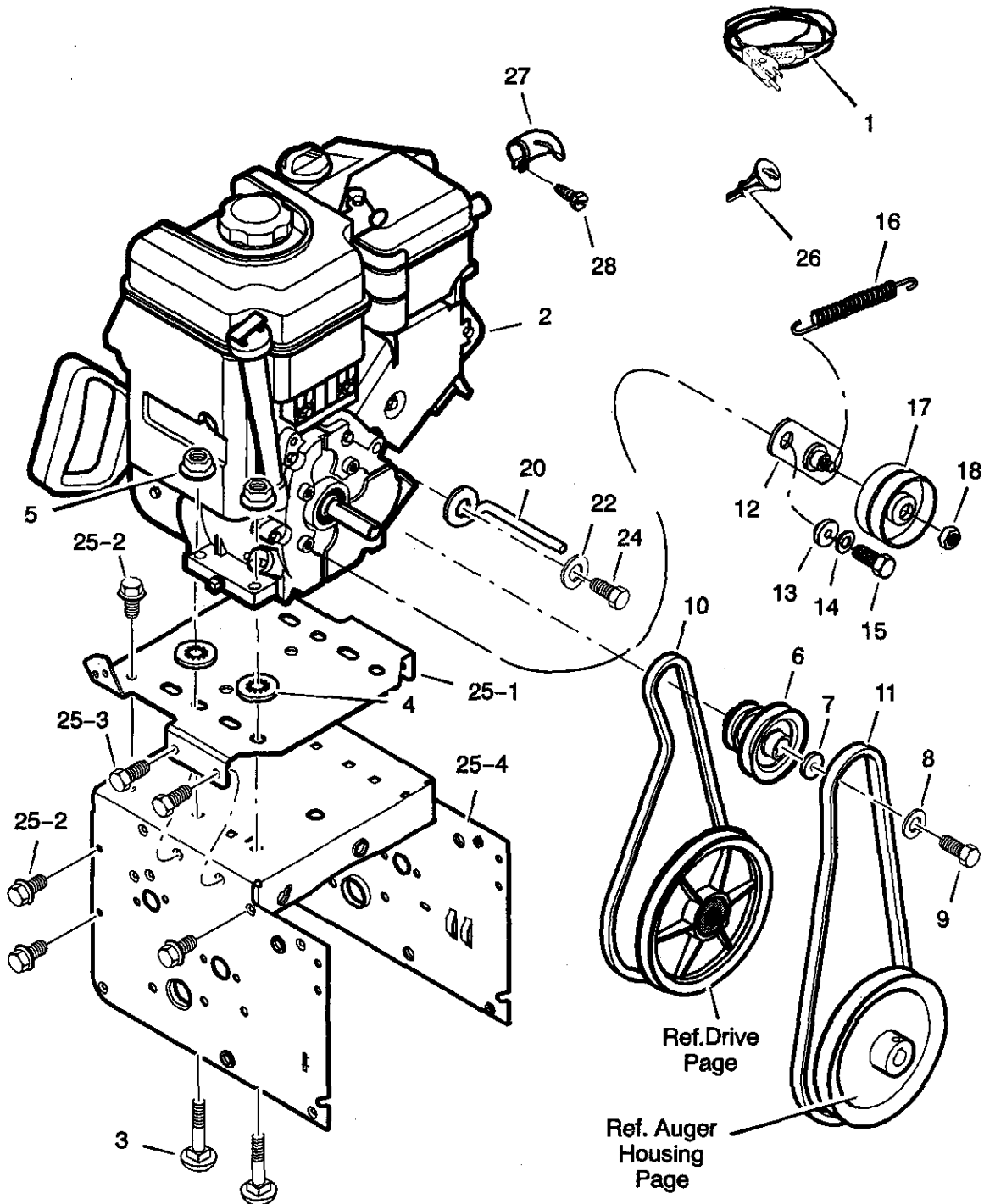
The displacement engines of Model Series 200000 is 305 cc.

The displacement engines of Model Series 210000 is 342 cc.

This is a generic representation of the emission label typically found on a certified engine.



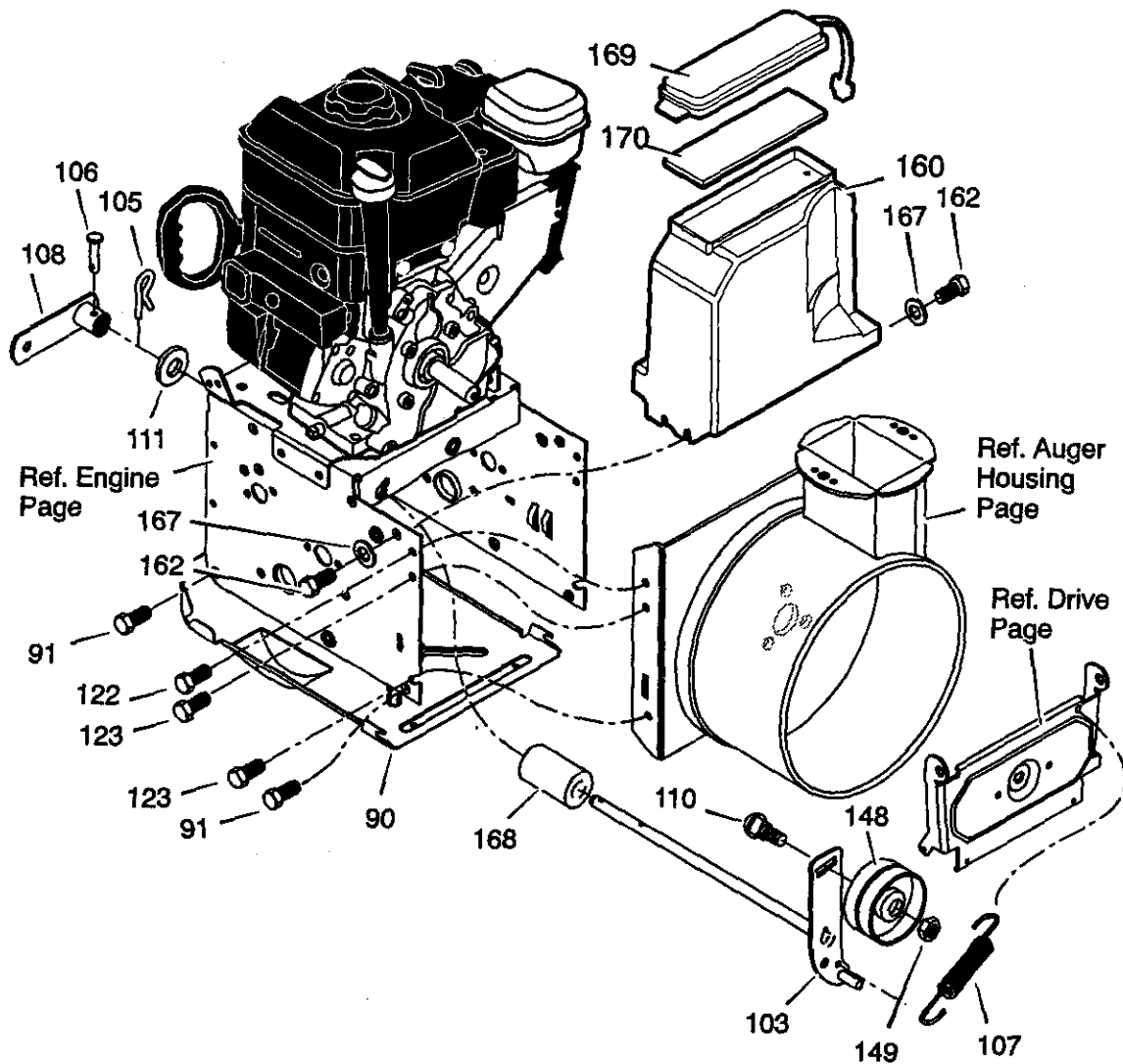
CRAFTSMAN 8.5HP SNOW THROWER 536.881851 ENGINE



CRAFTSMAN 8.5HP SNOW THROWER 536.881851 ENGINE

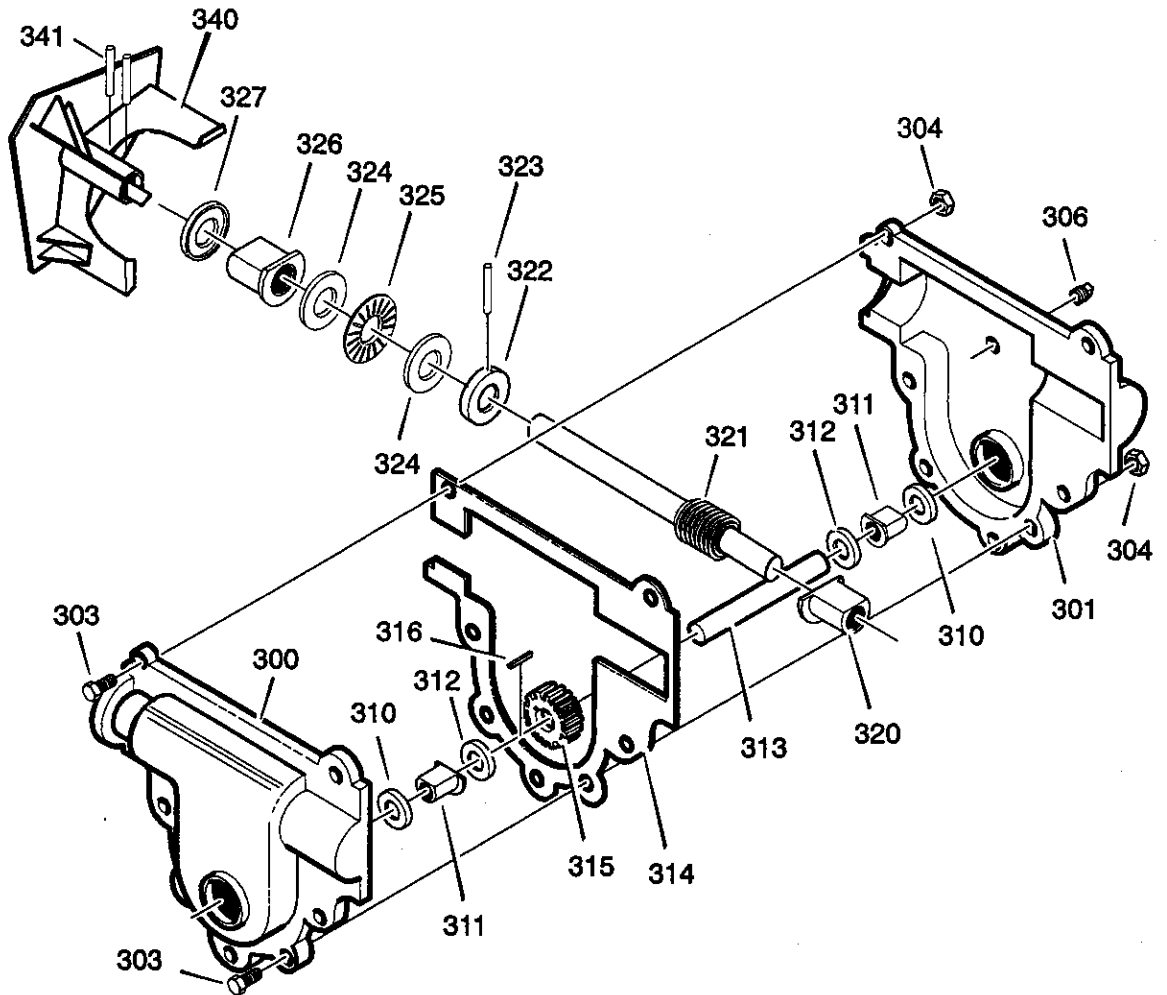
Key No.	Part No.	Description
1	6219	CORD, ELECTRIC
2	- - - -	ENGINE, BRIGGS & STRATTON, Model Number 15A114-0342-E1 (See Breakdown)
3	002x97	BOLT, CARRIAGE 5/16-18 x 1-1/2
4	028x76	RETAINER, PUSH
5	710026	LOCKNUT, HEX 5/16-18
6	1501109	PULLEY, ENGINE
7	710247	WASHER .48 x 1.00
8	71063	WASHER, SPLIT LOCK 3/8
9	71015	SCREW 3/8-24 x 1.00
10	579932	BELT, DRIVE V 3L
11	585416	BELT, AUGER V 4L
12	1501112 YZ	BRACKET ASSEMBLY, IDLER
13	1501065	BUSHING, IDLER BRACKET
14	71060	WASHER, SPLIT LOCK 5/16
15	710097	SCREW 5/16-24 X 0.75
16	53704	SPRING, IDLER TRACTION DRIVE
17	1502120	PULLEY, IDLER
18	590	NUT, JAM 3/8-16
20	1501201	GUIDE, ROD BELT
22	71060	WASHER, SPLIT LOCK 5/16
24	710097	SCREW 5/16-24 x 3/4
25	- - - - -	FRAME ASSEMBLY
25-1	1501062E201	PLATE, ENGINE
25-2	310169	SCREW 1/4-20 x 5/8
25-3	25x020	SCREW 5/16-18 x 1/2
25-4	1501050E201	MOTOR BOX
26	1501214	KEY, ENGINE IGNITION
27	226462	DEFLECTOR, MUFFLER
28	810140	SCREW
- -	198928	MANUAL, OWNER'S, English/Spanish

CRAFTSMAN 8.5HP SNOW THROWER 536.881851 FRAME



Key No.	Part No.	Description	Key No.	Part No.	Description
90	1501055E701	COVER, BOTTOM	123	25x020	SCREW 5/16-18x1/2
91	310169	SCREW 1/4-20x5/8	148	50793	PULLEY, IDLER
103	1501226 YZ	IDLER, AUGER	149	590	NUT, JAM 3/8-16
105	711682	PIN, HAIR	160	1502167	COVER, BELT
106	761761	PIN, CLEVIS	162	26x306	SCREW 1/4-20x3/4
107	165x159	SPRING, TENSION	166	71067	WASHER, FLAT
108	761675 YZ	SPRING ATTACH	168	1501200	SPACER
110	585781	BOLT, CARRIAGE	169	760539	LID, TOOL BOX
111	711617	WASHER, FLAT	170	761187	PAD, FOAM
122	25x021	SCREW 5/16-18x3/4			

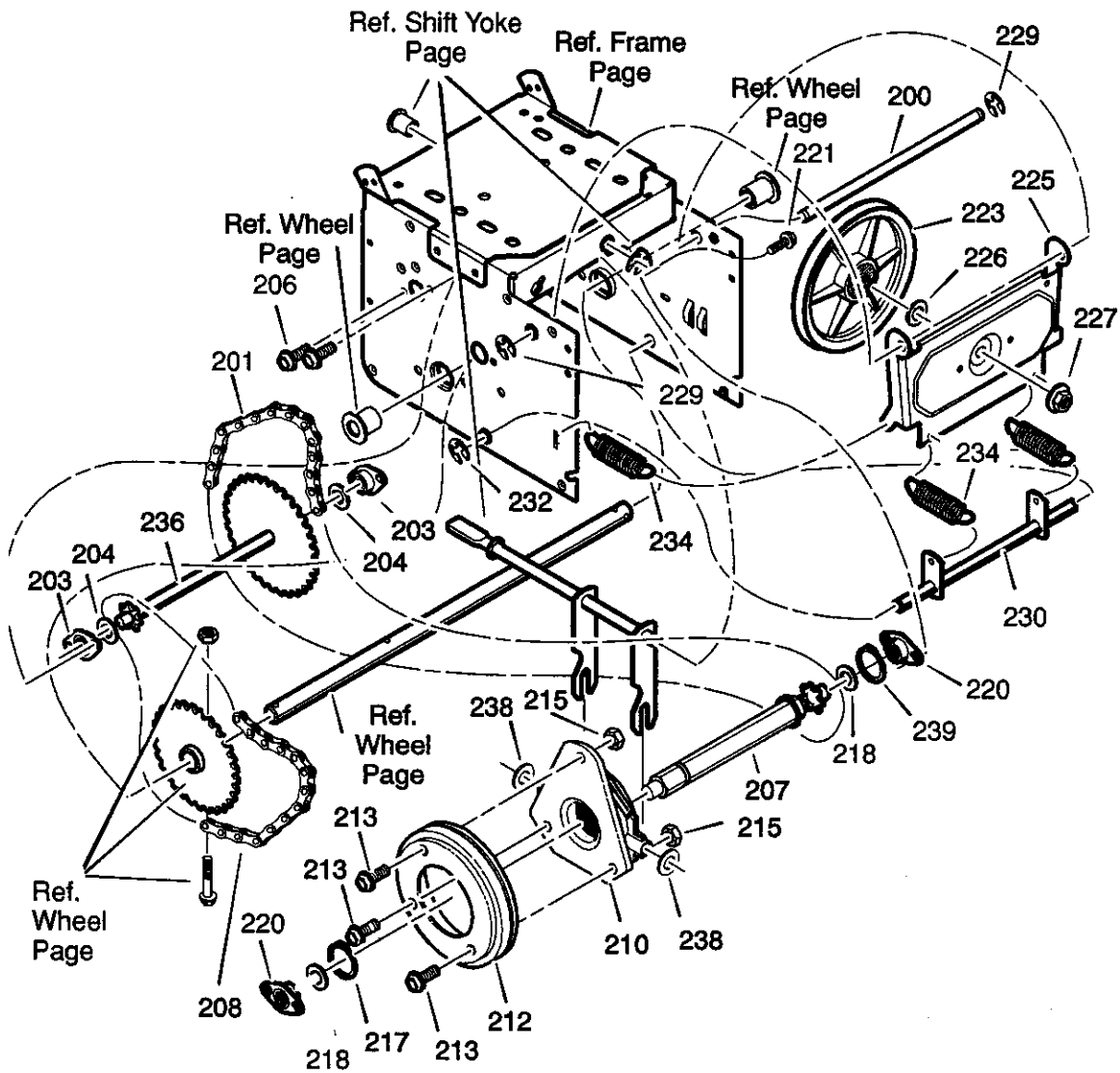
CRAFTSMAN 8.5HP SNOW THROWER 536.881851 GEAR CASE



Key No.	Part No.	Description	Key No.	Part No.	Description
300	10577	CASE, GEAR, RH	320	50221	BEARING, FL
301	10576	CASE, GEAR, LH	321	1501191	SHAFT, INPUT
303	710025	SCREW 1/4-20x3/4	322	580295	COLLAR, THRUST
304	15X143	LOCKNUT 1/4-20	323	454565	PIN, SPRING 1/4x1
306	9344	SCREW, PLUG	324	48275	WASHER, FLAT
310	9566	SEAL, OIL	325	50684	BRNG, ROLL
311	50304	BEARING, FL	326	50304	BRNG, FL
312	48275	WASHER, FLAT	327	9566	SEAL, OIL
313	1501307	SHAFT, OUTPUT	340	1501188E701	IMPELLER
314	51279	GASKET	341	454565	PIN, SPRING 1/4x1
315	51405	GEAR, WORM	*	750319	10oz GREASE
316	431787	KEY, WOODRUFF #61			

* (NOT ILLUSTRATED)

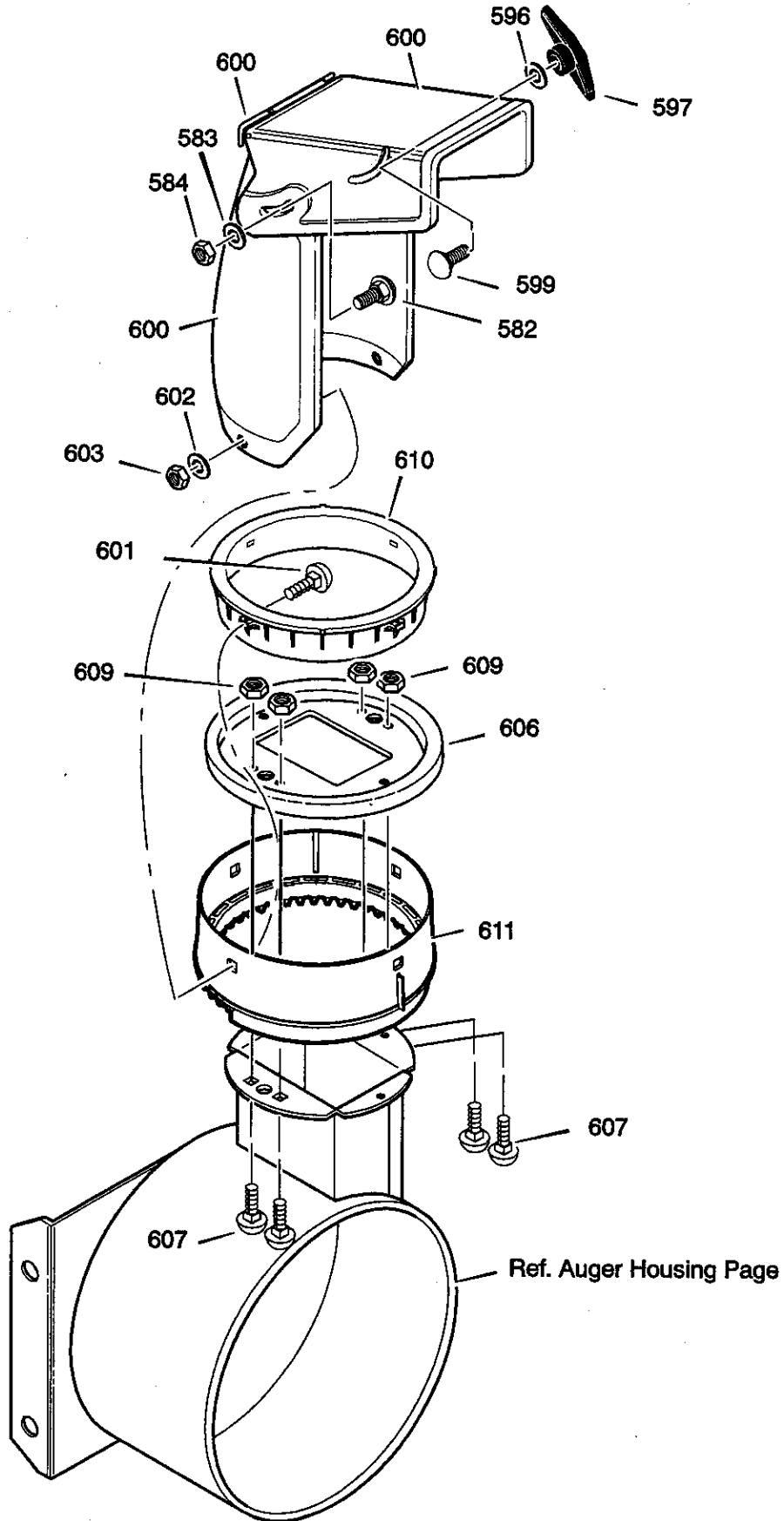
CRAFTSMAN 8.5HP SNOW THROWER 536.881851 DRIVE



CRAFTSMAN 8.5HP SNOW THROWER 536.881851 DRIVE

Key No.	Part No.	Description
200	1501092 YZ	LF AXLE, SWING PLATE YZ
201	579851	CHAIN, ROLLER #42x19.00
203	334163	BEARING AND RETAINER, ASSY
204	579858	WASHER
206	25x020	SCREW, TAP 5/16-18x0.5
207	1501100	ASSY, HEX SHAFT
208	579868	CHAIN, ROLLER #36x18.00 LG
210	337029	BEARING, TRUNION CLUTCH R
212	1501435	WHEEL, FRICTION DISC
213	001x38	SCREW, 1/4-20 x 0.63
215	303008	NUT, KEPS HEX 1/4-20
217	579859	RETAINER, RING (5100-59)
218	579858	WASHER
220	334163	BEARING AND RETAINER, ASSY
221	25x020	SCREW, TAP 5/16-18 x .5
223	1501115	ASSY, FRICTION PULLEY
225	1501057 YZ	LF PLATE, SWINGING YZ
226	1501158	SPACER, FRICTION PULLEY
227	15x114	NUT, FLANGE LOCK 3/8-24
229	11x30	RETAINER, RING (5133-43)
230	1501107 YZ	LF ASSY, SPRING LINK YZ
232	11x30	RETAINER, RING (5133-43)
234	165x112	SPRING, EXTENSION
236	1501090	WLD, INTERMED SPROCKET 33T/7
238	71074	WASHER, FLAT
239	0011x2	RETAINER, RING (5100-50)

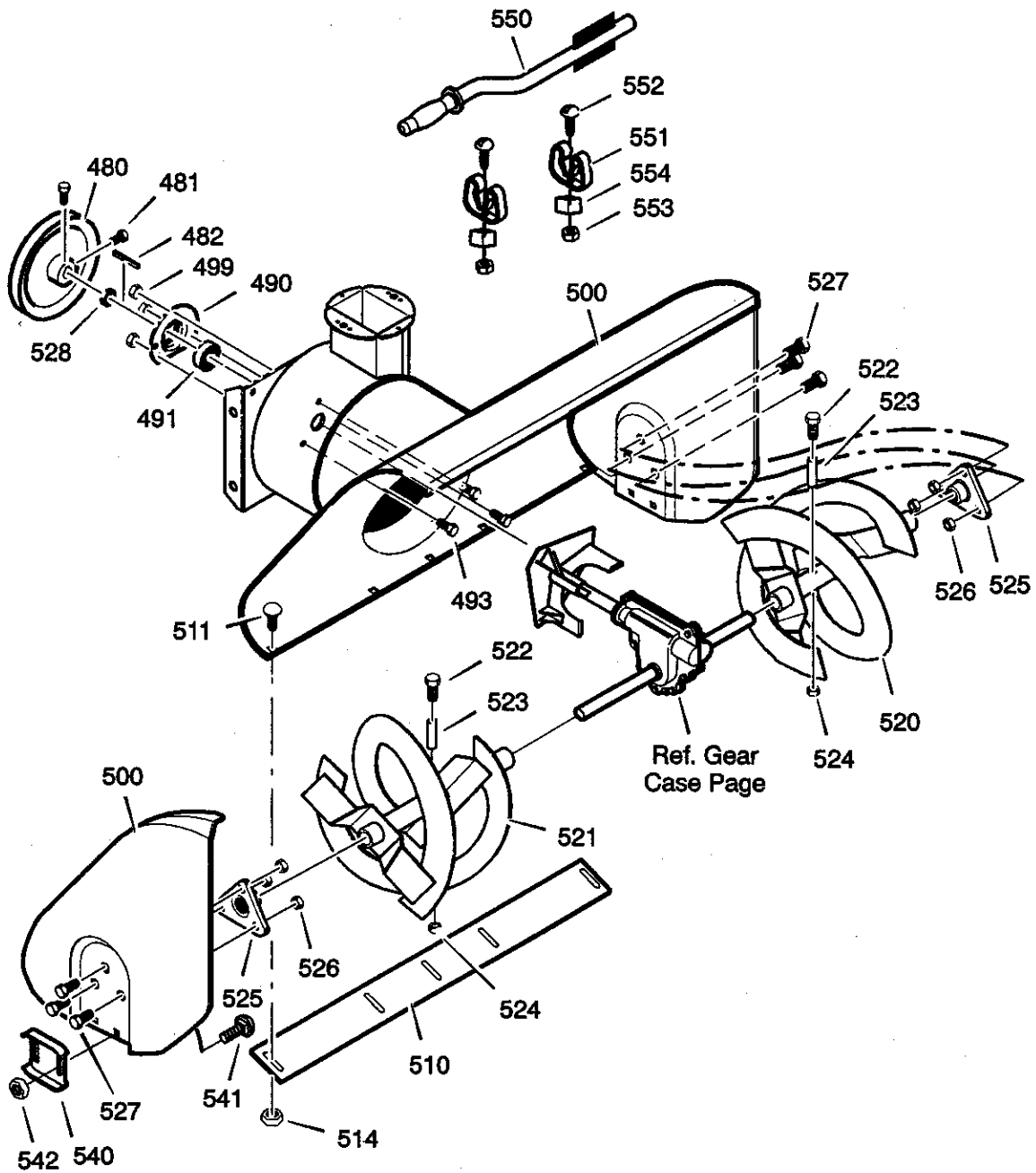
CRAFTSMAN 8.5HP SNOW THROWER 536.881851 DISCHARGE CHUTE



CRAFTSMAN 8.5HP SNOW THROWER 536.881851 DISCHARGE CHUTE

Key No.	Part No.	Description
582	2x100	BOLT, 5/16-18 X 1.00 CARG.
583	71071	WASHER, FLAT
584	71038	NUT, 5/16-18 NYLOCK
596	71071	WASHER
597	1501260	KNOB, WING 3.00
599	002x97	BOLT, 5/16-18X1.5
600	762222	CHUTE ASSEMBLY
601	2X100	BOLT, CARRIAGE 5/16-18x1
602	71071	WASHER, FLAT
603	71038	NUT, 5/16-18 HEXNYL
606	1501932 YZ	CHUTE COLLAR
607	02x101	SCREW, 1/4-20 X .75
609	15x145	NUT, 1/4-20 HEX NYLOCK
610	337227	RETAINER RING INNER
611	1501282	RETAINER RING OUTER

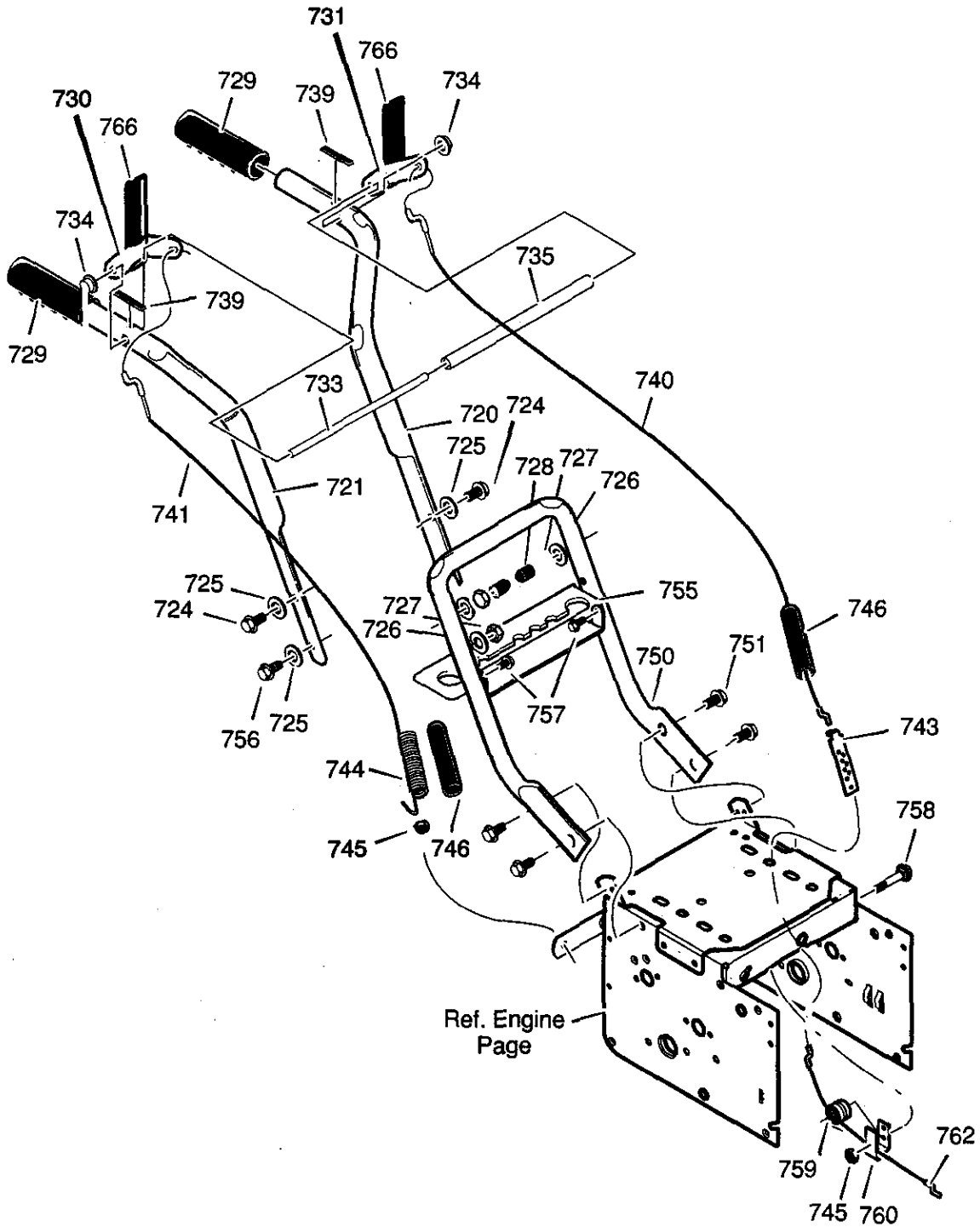
CRAFTSMAN 8.5HP SNOW THROWER 536.881851 AUGER HOUSING



CRAFTSMAN 8.5HP SNOW THROWER 536.881851 AUGER HOUSING

Key No.	Part No.	Description
480	1501211	PULLEY, V4L 8.4X .67
481	577400	SCREW, 5/16-18X.63
482	2001022	KEY, SQUARE 3/16 X 3/4
485	1501158	SPACER, FRICTION PULLEY
490	582957 YZ	RETAINER, BALL BRNG
491	1501389	BEARING, BALL
493	001X92	BOLT, HEX 5/16-18 X 1/2
499	710026	NUT, 5/16-18 HEXWDFLLK
500	1502013E549	HOUSING, ASSY
510	760661E701	BLADE, SCRAPER
511	001X45	BOLT, 5/16-18 X 3/4
514	710026	NUT, 5/16-18
520	1502017E701	AUGER, ASSY, LH
521	1502016E701	AUGER, ASSY, RH
522	9524	SCREW 1/4-20 x 1-3/4
523	3943	SPACER, SLEEVE
524	73826	NUT, 1/4-20
525	9517	BEARING, FLANGE
526	711862	NUT, 5/16-18
527	9357	SCREW, 5/16-18 X 3/4
540	309016E701	SKID, HEIGHT ADJUST
541	908156	BOLT, 5/16-18 X .50
542	710026	NUT, 5/16-18
550	1501576	BRUSH, CLEANOUT
551	1501672	CLIP, RETAINER
552	06x115	SCREW #10-24 x 1-1/4
553	15x146	NUT, NYLOCK #10-24
554	578063	BLOCK
--	1501227	KIT, SHEAR BOLT

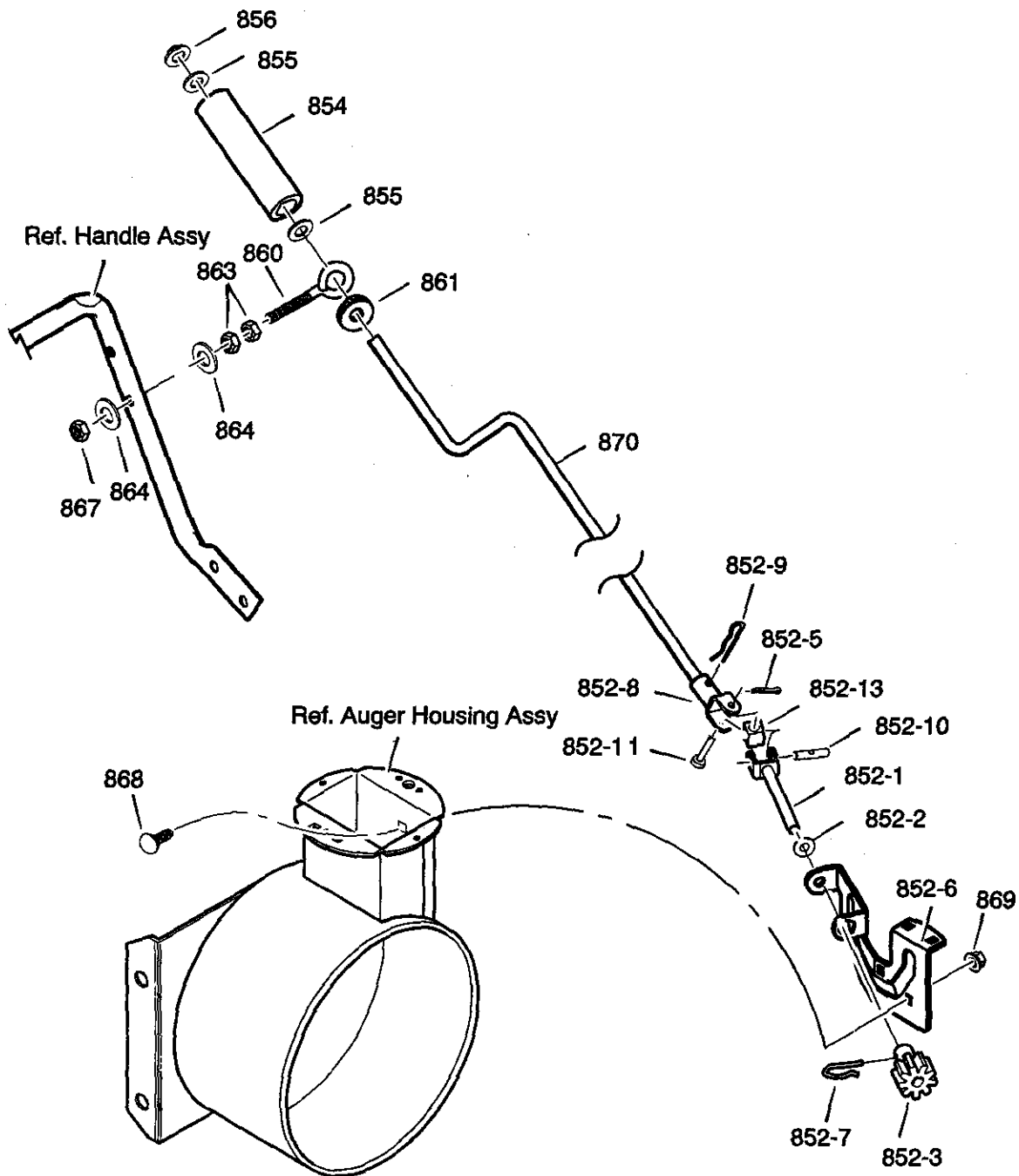
CRAFTSMAN 8.5HP SNOW THROWER 536.881851 HANDLE



CRAFTSMAN 8.5HP SNOW THROWER 536.881851 HANDLE

Key No.	Part No.	Description
720	1501205E701	HANDLE, UPPER LH
721	1501206E701	HANDLE, UPPER RH
724	11234	SCREW, 5/16-18X2.75
725	71071	WASHER, FLAT
726	71060	WASHER, SPTLK .31X.58X.08
727	15X144	NUT, 5/16-18 REGHEX YZ
728	11261	STOP, RED PLASTIC
729	337399	GRIP-HANDLE FINGER
730	337816E701	LEVER, ASSY CLUTCH DRIVE RH
731	337815E701	LEVER, ASSY CLUTCH DRIVE LH
733	337381	ROD, PIVOT CLUTCH
734	761105	NUT, PUSH ON CAP
735	337373	SPACER-HANDLE
739	4049	BUMPER, RECTANGLE
740	1501123	CABLE, CLUTCH
741	761872	CABLE, AUGER CLUTCH
743	313441	BRACKET, CABLE ADJUSTER
744	1673	SPRING, AUGER CLUTCH
745	15X145	NUT, 1/4-20 NYLOCK YZ
746	308146	BOOT, CABLE SPRING
750	339541E701	HANDLE, LOWER
751	25x021	SCREW, TAP 5/16-18 X .75
755	337407E701	BRKT, GEAR SELECTOR
756	6751	SCREW, 5/16-18X2.00
757	310169	SCREW, TAP 1/4-20 X 5/8
758	001798	BOLT, HEX 1/4-20 X 1.50
759	579860	SPOOL-CABLE, AUGRT CLUTCH
760	1501059 YZ	BRACKET, CABLE SPOOL YZ
762	1501122	CABLE, LOWER DRIVE 12"
766	337380	GRIP, CLUTCH HANDLE

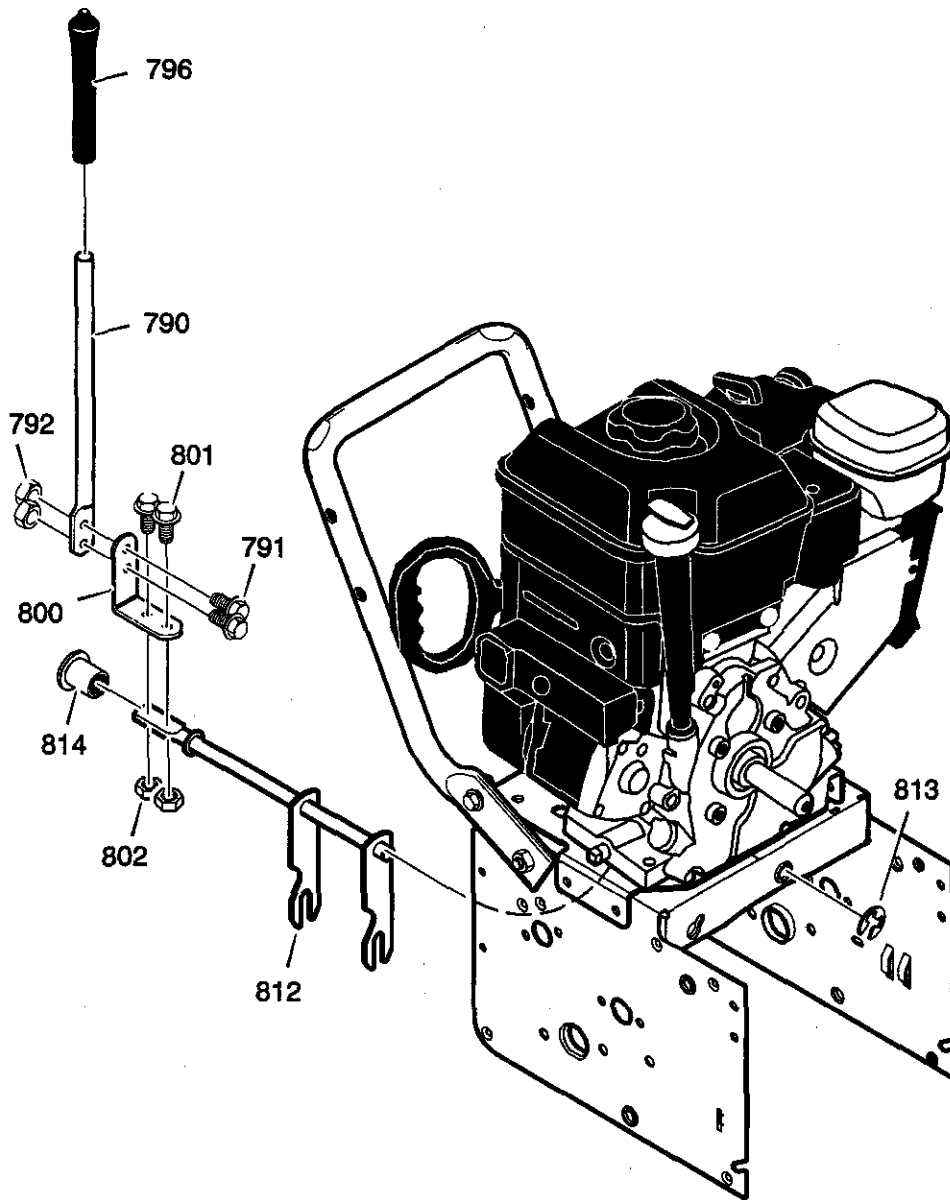
CRAFTSMAN 8.5HP SNOW THROWER 536.881851 CHUTE ROD



CRAFTSMAN 8.5HP SNOW THROWER 536.881851 CHUTE ROD

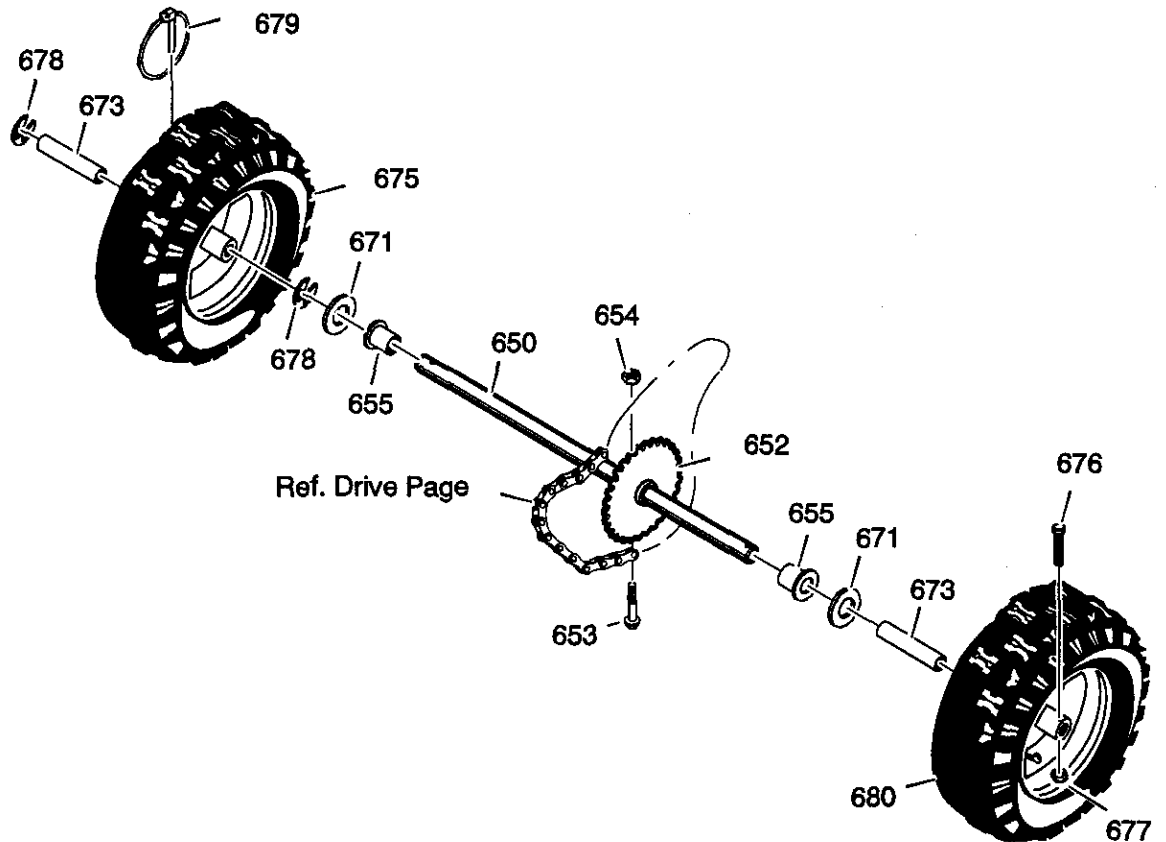
Key No.	Part No.	Description
852-1	1501309 YZ	ASSEMBLY, YOKE & ROD
852-2	313431	WASHER, COMPRESSION SPRING
852-3	1501067	GEAR, CHUTE ROTATION 9T
852-5	579493	PIN, COTTER
852-6	1501306E701	BRACKET, GEAR MOUNT
852-7	1501293	PIN, HAIR
852-8	1501075 YZ	ASSEMBLY, YOKE ADAPTER YZ
852-9	711682	PIN, HAIR
852-10	578060	PIN, UNIVERSAL JOINT
852-11	578309	PIN, CLEVIS
852-13	578063	HOUSING, UNIVERSAL
854	51443	KNOB, CRANK
855	309312	FLATWASHER
856	73664	NUT, PUSH
860	1501456	EYE BOLT 3/8-16X6.00
861	148	GROMMET, EYE BOLT
863	71045	NUT, 3/8-16 HEXJAM
864	71072	FLATWASHER .406X.81X.066
867	71046	NUT, 3/8-16 HEXNYL
868	002x98	BOLT, CARRIAGE 1/4-20 X 1.00
869	15x145	NUT, 1/4-20 NYLOCK YZ
870	1501074 YZ	CRANK, ASSY CHUTE

CRAFTSMAN 8.5HP SNOW THROWER 536.881851 SHIFT YOKE



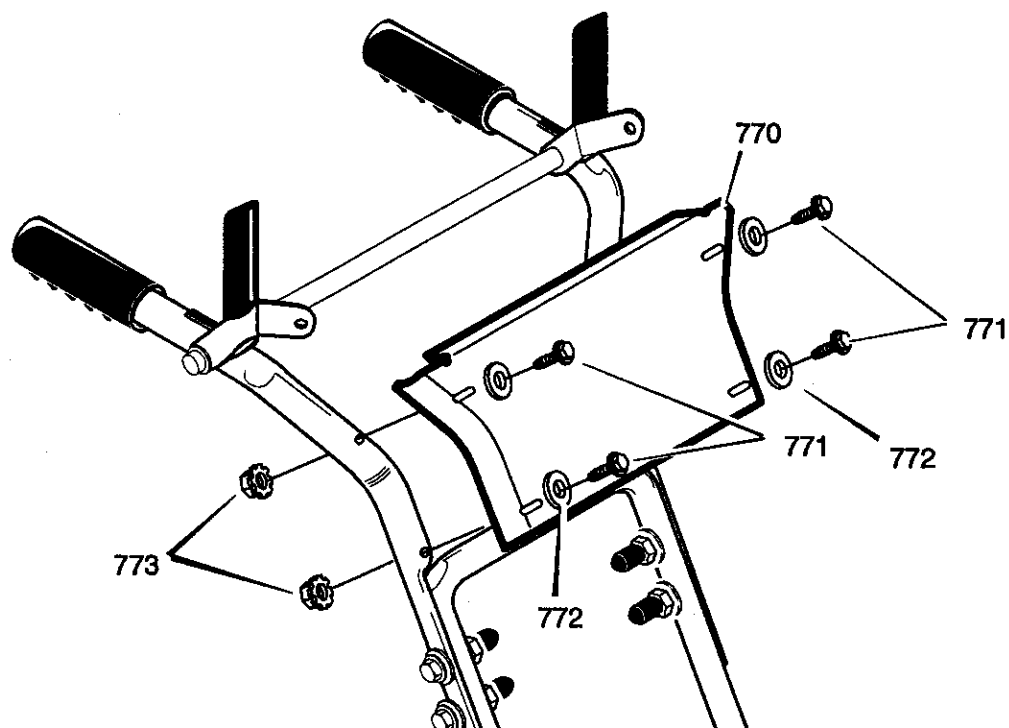
Key No.	Part No.	Description
790	336702E701	ROD, SHIFT
791	302628	SCREW, 1/4-20X.75
792	73826	NUT, 1/4-20
796	331624	KNOB, SLIP
800	760564	LEVER, SPRING
801	302628	SCREW, 1/4-20X.75
802	73826	NUT, 1/4-20
812	1501085 YZ	ROD ASSY., SPEED SELECT
813	11x30	RETAINER, RING (5133-43)
814	579944	BEARING, FLANGED

CRAFTSMAN 8.5HP SNOW THROWER 536.881851 WHEELS



Key No.	Part No.	Description
650	1501563	SHAFT, AXLE
652	1501089	SPRKT & HUB
653	01x193	SCREW, 1/4-20 x 1.75
654	15X145	NUT, 1/4-20 HEX NYLOCK YZ
655	1501114	BEARING, AXLE
671	712120	WASHER, FLAT
673	1501138	BUSHING, WHEEL
675	1501808	TIRE & RIM -RIGHT
676	577015	SCREW, 1/4-20X1.75 HH
677	15X145	NUT, 1/4-20 HEX NYLOCK YZ
678	239	RETAINER, RING (5115-75)
679	73842	PIN, KLIK .25 X 1.38 DIA
680	1501809	TIRE & RIM -LEFT

CRAFTSMAN 8.5HP SNOW THROWER 536.881851 PANEL



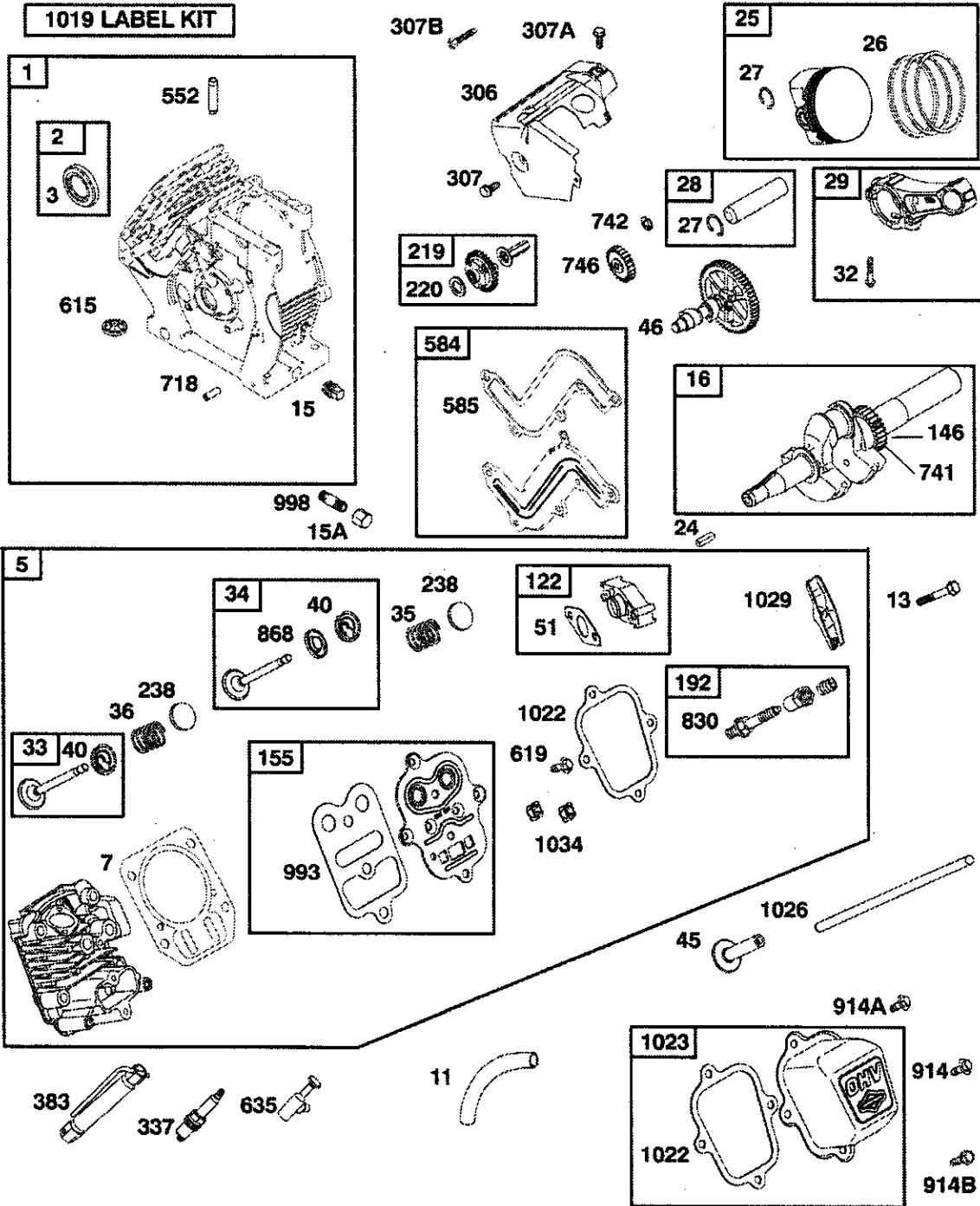
Key No.	Part No.	Description
770	1501203E201	PANEL
771	002x99	BOLT, CARRIAGE
772	71067	WASHER
773	15x145	NUT, 1/4-20 NYLOCK YZ

DECALS

Part No.	Description
48x5580	DECAL, DANGER CHUTE - ARM *
48x5286	DECAL, DANGER & FOOT *
48x5578	DECAL, DANGER THROWN OBJECTS *
48x5590	DECAL, TRACTON/AUGER DRIVE - ENGAGE *
48x5626	DECAL, SPEED SELECT *
760983	DECAL, TOOL BOX - BELT COVER *
48x5613	NAMEPLATE, CRAFTSMAN *
48x5599	DECAL, CLEAN & CLEAR BRUSH
48x5945	DECAL, 8.5/27 ELECTRIC START *
48x5712	DECAL, OPEI *
198928	OWNER'S MANUAL, ENGLISH/SPANISH

* Not Illustrated

NOTES

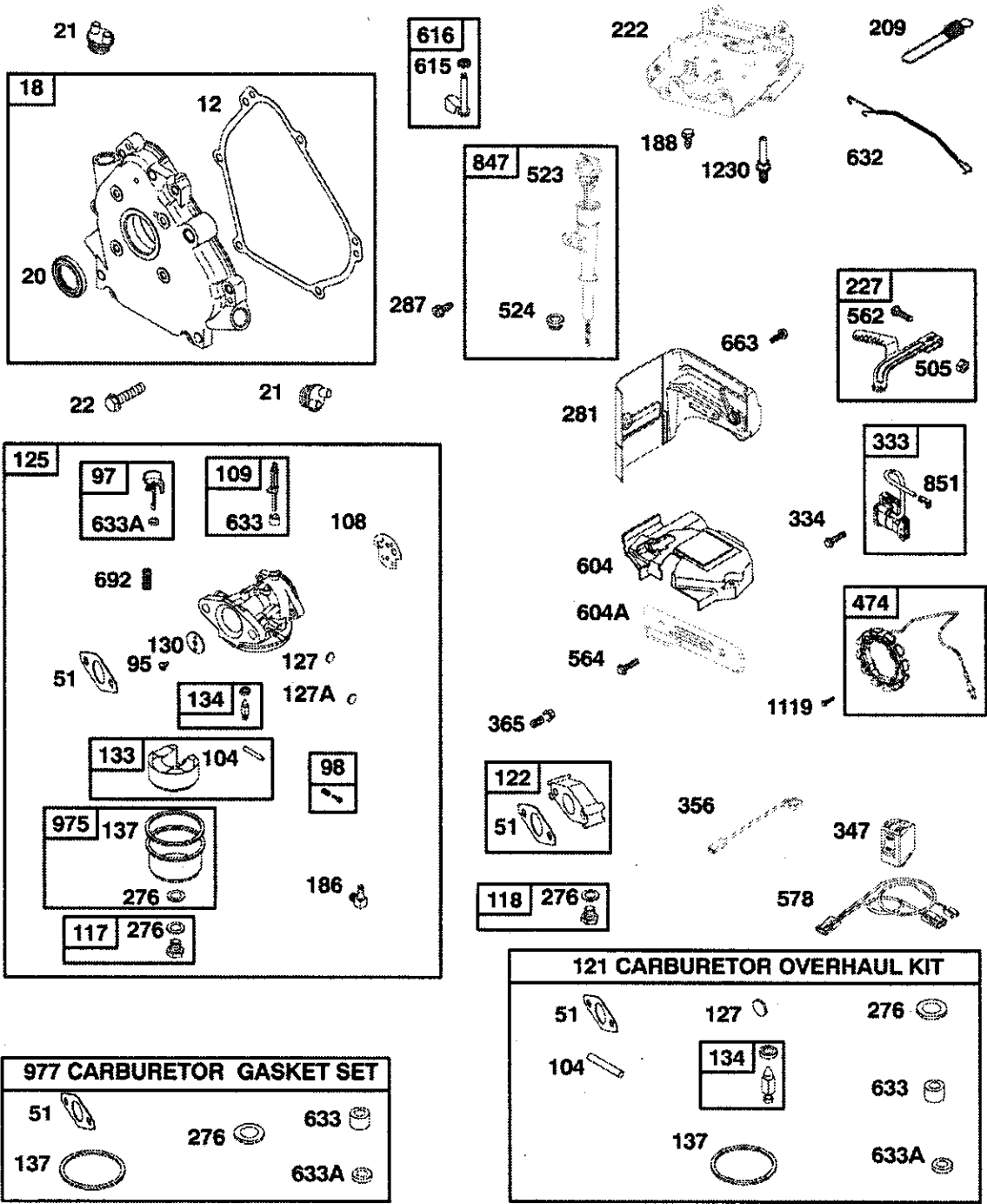


Assemblies include all parts shown in frames.

BRIGGS & STRATTON ENGINE

MODEL 15A114-0342-E1

Key No.	Part No.	Description	Key No.	Part No.	Description
1	791762	Cylinder Assembly	155	698214	Plate-Cylinder Head
2	399269	Kit-Bushing/Seal (Magneto Side)	192	694543	Adjuster-Rocker Arm
3	*299819	Seal-Oil (Magneto Side)	219	693578	Gear-Governor
5	791720	Head-Cylinder	220	691724	Washer (Gov. Gear)
7	*Ø791716	Gasket-Cylinder Head	238	691300	Cap-Valve
11	695745	Tube-Breather	306	695710	Shield-Cylinder
12	699485	Gasket-Crankcase	307	699483	Screw (Cyl. Shield)
13	699482	Screw (Cylinder Head)	307A	699234	Screw (Metric) (Cylinder Shield)
15	691686	Plug-Oil Drain	307B	790557	Screw (Metric) (Cylinder Shield)
15A	695757	Plug-Oil Drain	337	491055	Plug-Spark
16	791721	Crankshaft	383	19374	Wrench-Spark Plug
24	222698	Key-Flywheel	552	692346	Bushing-Governor Crank
25	791786	Piston Assembly (Standard)	584	791759	Cover-Breather Passage
----- Note -----			585	791760	Gasket-Breather Passage
	791791	Piston Assembly (.020" Oversize)	615	692576	Retainer-Governor Shaft
26	791787	Ring Set (Standard)	619	699230	Screw (Cylinder Head Plate)
----- Note -----			635	692927	Boot-Spark Plug
	791792	Ring Set (.020" Oversize)	718	690959	Pin-Locating
27	690975	Lock-Piston Pin	741	695087	Gear-Timing
28	690229	Pin-Piston	742	692564	Retainer-E Ring
29	791783	Rod-Connecting	746	692566	Gear-Idler
32	791784	Screw (Connecting Rod)	830	694544	Stud (Rocker Arm)
33	499642	Valve-Exhaust	868	*Ø692044	Seal-Valve
34	499641	Valve-Intake	914	697551	Screw (Rocker Cover) (Side)
35	691304	Spring-Valve (Intake)	914A	692557	Screw (Rocker Cover) (Rocker Cover)
36	691304	Spring-Valve (Exhaust)	914B	699481	Screw (Rocker Cover) (Bottom)
40	692194	Retainer-Valve	993	*Ø694088	Gasket-Cylinder Head Plate
45	690977	Tappet-Valve	998	696683	Pipe-Oil
46	693404	Camshaft	1019	791811	Kit-Label
51	*♦♦Ø791718	Gasket-Intake (2 Required)	1022	*Ø691890	Gasket-Rocker Cover
122	791717	Spacer-Carburetor	1023	499924	Cover-Rocker Arm
146	690979	Key-Timing	1026	693517	Rod-Push
			1029	691230	Arm-Rocker
			1034	691343	Guide-Push Rod



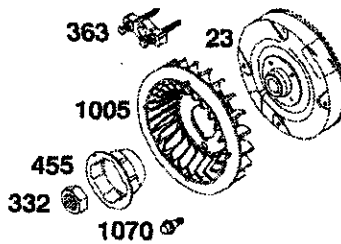
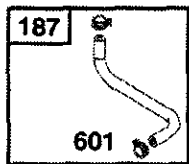
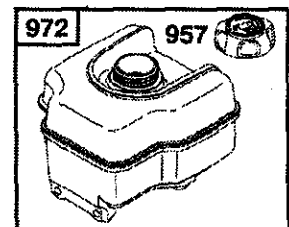
Assembles include all parts shown in frames.

BRIGGS & STRATTON ENGINE

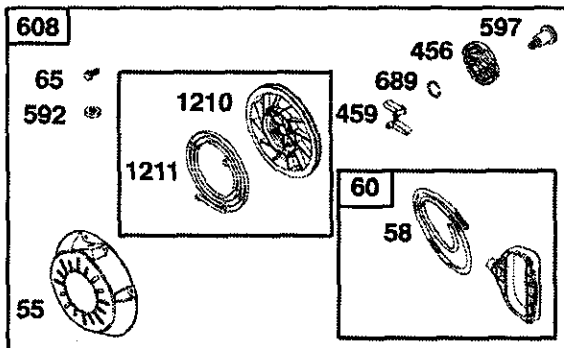
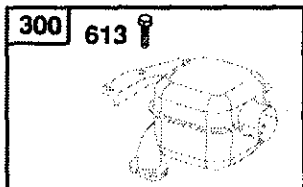
MODEL 15A114-0342-E1

Key No.	Part No.	Description	Key No.	Part No.	Description
12	★699485	Gasket-Crankcase	333	695711	Armature-Magneto
18	699804	Cover-Crankcase	334	699477	Screw (Magneto Armature) (Metric)
20	★692550	Seal-Oil (PTO Side)	347	698338	Switch-Rocker
21	281658	Cap-Oil Fill	356	790552	Wire-Stop
22	699478	Screw (Metric) (Crankcase Cover/Sump)	365	699484	Screw (Metric) (Carburetor)
51★♦♦	692555	Gasket-Intake (2 Required)	474	791743	Alternator
95	691636	Screw (Throttle Valve)	505	691251	Nut (Governor Control Lever)
97	690024	Shaft-Throttle	523	790546	Dipstick
98	398185	Kit-Idle Speed	524	281370	Seal-Dipstick Tube
104	●691242	Pin-Float Hinge	562	691112	Bolt (Governor Control Lever)
108	695807	Valve-Choke	564	699854	Screw (Control Cover)
109	695729	Shaft-Choke	578	790481	Wire Assembly
117	690048	Jet-Main (Standard)	604	695749	Cover-Control
118	498976	Jet-Main (High Altitude)	604A	790473	Cover-Control
121	695157	Kit-Carburetor Overhaul	615	692576	Retainer-Governor Shaft
122	791717	Spacer-Carburetor	616	692547	Crank-Governor
125	790558	Carburetor	632	692653	Spring/Link- Mechanical Governor
127	●694468	Plug-Welch (Bowl Vent)	633	●♦693867	Seal-Choke/Throttle Shaft (Choke)
127A	691739	Plug-Welch	633A	●♦691321	Seal-Choke/Throttle Shaft (Throttle)
130	691181	Valve-Throttle	663	699854	Screw (Control Panel)
133	398187	Float-Carburetor	692	690572	Spring-Detent
134	●398188	Kit-Needle/Seat	847	790545	Dipstick/Tube Assembly
137	●♦693981	Gasket-Float Bowl	851	493880	Terminal-Spark Plug
186	692317	Connector-Hose	975	790559	Bowl-Float
188	699479	Screw (Metric) (Control Bracket)	977	695156	Gasket Set-Carb.
209	692571	Spring-Governor (Assemble in Number 6 Hole)	1119	699772	Screw (Metric) (Alternator)
222	790549	Bracket-Control	1230	699847	Stud (Metric) (Control Bracket)
227	692573	Lever-Governor Control			
276	●♦271716	Washer-Sealing			
281	699639	Panel-Control			
287	699629	Screw (Metric) (Dipstick Tube)			

1036 EMISSIONS LABEL



190



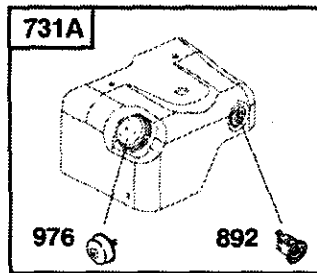
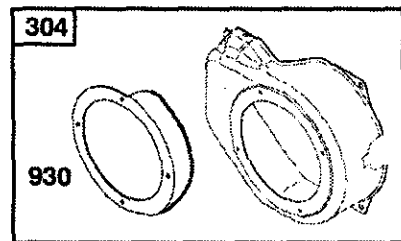
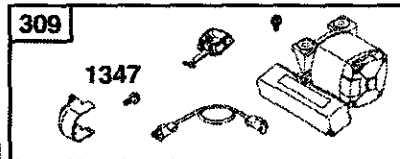
1251

1252



883

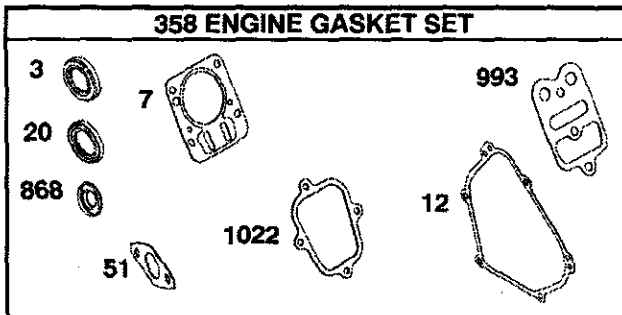
472



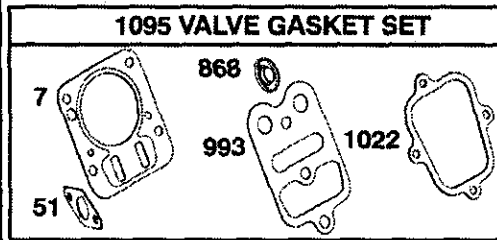
528
1196A

305

1196



731



Assemblies include all parts shown in frames.

BRIGGS & STRATTON ENGINE

MODEL 15A114-0342-E1

Key No.	Part No.	Description	Key No.	Part No.	Description
3	*299819	Seal-Oil (Magneto Side)	601	95162	Clamp-Hose
7	*Ø791716	Gasket-Cylinder Head	608	699335	Starter-Rewind
12	*699485	Gasket-Crankcase	613	699209	Screw (Muffler) (Metric)
20	*692550	Seal-Oil (PTO Side)	689	691855	Spring-Friction
23	699516	Flywheel	731	790554	Hood-Snow
51	*Ø692555	Gasket-Intake	731A	790547	Hood-Snow
55	696710	Housing-Rewind Starter	868	*Ø692044	Seal-Valve
58	693389	Rope-Starter (Cut to Required Length)	892	696749	Switch-Key
60	699334	Grip-Starter Rope	930	696709	Guard-Rewind
65	699851	Screw (Rewind Starter)	957	695737	Cap-Fuel Tank
187	693401	Line-Fuel (Molded)	972	694260	Tank-Fuel
190	699220	Screw (Fuel Tank) (Metric)	976	790221	Primer-Carburetor
300	790548	Muffler	993	*Ø694088	Gasket-Cylinder Head Plate
304	699598	Housing-Blower	1005	692592	Fan-Flywheel
305	699480	Screw (Blower Housing) (Metric)	1022	*Ø691890	Gasket-Rocker Cover
309	696818	Motor-Starter	1036	791810	Label-Emissions
318	690370	Screw (Mounting Bracket)	1070	699201	Screw (Flywheel Fan) (Metric)
332	699359	Nut (Flywheel)	1095	791798	Gasket Set-Valve
358	791797	Gasket Set-Engine	1196	696692	Screw (Snow Hood)
363	19069	Puller-Flywheel	1196A	699854	Screw (Snow Hood)
455	692591	Cup-Flywheel	1210	498144	Pulley/Spring Assembly (Pulley)
456	692299	Plate-Pawl Friction	1211	498144	Pulley/Spring Assembly (Spring)
459	281505	Pawl-Ratchet	1251	790556	Shield-Snow
472	790553	Knob-Choke Shaft	1251A	790555	Shield-Snow
493	695744	Bracket-Mounting	1252	699632	Screw (Snow Shield) (Metric)
528	695746	Hose-Primer	1347	699200	Screw (Starter Shield) (Metric)
592	690800	Nut (Rewind Starter)			
597	691696	Screw (Pawl Friction Plate)			

CONTENIDO

PIEZAS DE REPUESTO	39	OPERACIÓN	73
PIEZAS DE REPUESTO - MOTOR	56	MANTENIMIENTO	80
GARANTÍA	62	SERVICIO Y AJUSTES	83
REGLAS DE SEGURIDAD	62	ALMACENAMIENTO	95
SÍMBOLOS INTERNACIONALES	66	TABLA DE LOCALIZACIÓN Y REPARACIÓN DE AVERÍAS	96
ENSAMBLAJE	68	PEDIDO DE PIEZAS/SERVICIO	100

GARANTÍA

GARANTÍA LIMITADA DE DOS AÑOS PARA EL QUITANIEVES CRAFTSMAN

Durante dos años a partir de la fecha de compra, siempre que a este quitanieves Craftsman se le dé mantenimiento, lubricación y afinamiento de acuerdo con las instrucciones de operación y mantenimiento presentadas en el manual del usuario, Sears reparará, sin cargo alguno, cualquier defecto en material y mano de obra.

Si este quitanieves Craftsman es usado con propósitos comerciales o de arrendamiento, esta garantía será válida solamente por 90 días a partir de la fecha de compra.

Esta garantía no cubre lo siguiente:

- Elementos de desgaste normal, tales como bujías, correas de transmisión y pasadores de seguridad.
- Reparaciones necesarias debido al abuso o negligencia del operador, incluyendo varillas dobladas y otras reparaciones necesarias por falta del mantenimiento a la unidad según lo recomendado en las instrucciones contenidas en el manual del propietario.

EL SERVICIO DE GARANTÍA SE PUEDE OBTENER LLEVANDO EL QUITANIEVES AL CENTRO DE SERVICIO SEARS MÁS CERCANO EN LOS ESTADOS UNIDOS. ESTA GARANTÍA ES VÁLIDA SÓLO CUANDO ESTE PRODUCTO ES USADO EN LOS ESTADOS UNIDOS.

Esta garantía le otorga derechos legales específicos, y asimismo es posible que tenga otros derechos los cuales varían de un estado a otro.

Sears, Roebuck and Co., D817WA, Hoffman Estates, IL 60179

REGLAS DE SEGURIDAD



Preste atención a este símbolo, le indica precauciones de seguridad importantes. Significa--**¡¡¡ATENCIÓN!!! ¡¡¡ESTÉ ALERTA!!!** Se trata de su seguridad.

ADVERTENCIA

Las emanaciones de escape producidas por este motor y ciertos componentes de esta máquina contienen químicos reconocidos por el Estado de California como carcinógenos, también pueden producir defectos en los recién nacidos o causar otros daños al sistema reproductivo.

Los bornes, terminales y accesorios relacionados con la batería contienen plomo y compuestos del plomo, además de sustancias químicas que el Estado de California reconoce que estos compuestos pueden causar cáncer y defectos como carcinógenas, además estas sustancias pueden producir daños congénitos, a los bebés y además de otros daños al sistema reproductivo humano. **DEBE LAVARSE MUY BIEN LAS MANOS DESPUÉS DE MANIPULAR ESTOS COMPONENTES.**



ADVERTENCIA:

Siempre desconecte el cable de la bujía y colóquelo alejado de ésta para prevenir un arranque accidental durante la preparación mantenimiento o almacenamiento del quitanieves.

IMPORTANTE: Para prevenir lesiones, las normas de seguridad exigen controles en la unidad que sólo puedan ser manejados en presencia del operador. Su quitanieves está equipado con dichos controles. Por ningún motivo intente pasar por alto la función del control en presencia del operador.



ADVERTENCIA: Este quitanieves tiene la capacidad de amputar las extremidades y de lanzar objetos con velocidad. No respetar las siguientes instrucciones de seguridad puede resultar en lesiones graves.

CAPACITACIÓN

1. Lea con atención las instrucciones en el manual de operación y servicio. Familiarícese completamente con los controles y el uso apropiado del quitanieves. Aprenda a detener el quitanieves y a desenganchar rápidamente los controles.
2. Nunca permita a niños operar el quitanieves. Nunca permita que adultos operen el quitanieves sin la instrucción apropiada.
3. Mantenga el área libre de personas, especialmente niños pequeños y mascotas.
4. Tenga mucho cuidado para evitar resbalones o caídas, especialmente cuando esté retrocediendo.

PREPARACIÓN

1. Inspeccione completamente el área donde se usará el quitanieves y retire todas las esteras, trineos, tableros, cables, y otros objetos extraños.
2. Desenganche todos los embragues antes de hacer arrancar el motor.
3. No opere el quitanieves sin vestir prendas de invierno adecuadas para trabajar a la intemperie. Vista calzado que le dé buena tracción sobre superficies resbalosas. No use ropa holgada que pueda quedarse enredada en los componentes móviles.
4. Maneje el combustible con cuidado; éste es altamente inflamable.
 - a. Use un contenedor aprobado para combustible.
 - b. Nunca quite la tapa del tanque de combustible ni añada combustible a un motor en marcha o a un motor caliente.
 - c. Llene el tanque de combustible al aire libre y con mucho cuidado. Nunca llene el tanque en un recinto cerrado.
 - d. Vuelva a colocar la tapa del tanque de combustible de manera segura, y limpie el combustible derramado.
 - e. Nunca almacene combustible o el quitanieves con combustible en el tanque dentro de un edificio donde los vapores

pudiesen alcanzar alguna llama abierta o chispas.

- f. Verifique que el quitanieves tenga suficiente combustible antes de cada uso, y deje un espacio adicional en el tanque puesto que el calor del motor y/o del sol hace que el combustible se expanda.
 - g. Nunca llene los contenedores dentro de un vehículo o sobre las plataformas plásticas de un camión o trailer. Manténgalos siempre alejados del vehículo y sobre el suelo antes de llenarlos.
 - h. Siempre que sea posible, para reabastecer equipos con motores de gasolina, bájelos primero del camión o trailer y póngalos sobre el suelo. De no ser posible, use un contenedor portátil para reabastecer dichos equipos sobre el trailer; no use la manguera del surtidor de gasolina.
 - i. Mantenga siempre la boquilla en contacto con la orilla del tanque o recipiente de combustible durante todo el proceso de reabastecimiento. No emplee el dispositivo de apertura automática ubicado en la boquilla.
 - j. Cámbiese inmediatamente toda ropa contaminada con combustible.
5. Para todos los quitanieves con motores de arranque eléctrico, use cables de extensión con certificación CSA/UL. Use solamente tomacorrientes que hayan sido instalados de acuerdo con los reglamentos de inspección locales.
 6. Permita que el motor y el quitanieves se ajusten a las temperaturas exteriores antes de comenzar a despejar la nieve.
 7. Siempre use gafas de seguridad o protectores para los ojos durante la operación o mientras efectúa algún ajuste o reparación a la unidad, para proteger sus ojos de objetos extraños que pudiesen ser lanzados por el quitanieves.

OPERACIÓN

1. No opere este quitanieves si está tomando medicinas que puedan causar somnolencia o afectar su habilidad para operar el quitanieves.
2. No use el quitanieves si por motivos emocionales o físicos se le dificulta manejarlo de forma segura.
3. No coloque las manos o los pies cerca o debajo de piezas en movimiento. Mantén-

CAPACITACIÓN

1. Lea con atención las instrucciones en el manual de operación y servicio. Familiarícese completamente con los controles y el uso apropiado del quitanieves. Aprenda a detener el quitanieves y a desenganchar rápidamente los controles.
2. Nunca permita a niños operar el quitanieves. Nunca permita que adultos operen el quitanieves sin la instrucción apropiada.
3. Mantenga el área libre de personas, especialmente niños pequeños y mascotas.
4. Tenga mucho cuidado para evitar resbalones o caídas, especialmente cuando esté retrocediendo.

PREPARACIÓN

1. Inspeccione completamente el área donde se usará el quitanieves y retire todas las esteras, trineos, tableros, cables, y otros objetos extraños.
2. Desenganche todos los embragues antes de hacer arrancar el motor.
3. No opere el quitanieves sin vestir prendas de invierno adecuadas para trabajar a la intemperie. Vista calzado que le dé buena tracción sobre superficies resbalosas.
4. Maneje el combustible con cuidado; éste es altamente inflamable.
 - (a) Use un contenedor aprobado para combustible.
 - (b) Nunca quite la tapa del tanque de combustible ni añada combustible a un motor en marcha o a un motor caliente.
 - (c) Llene el tanque de combustible al aire libre y con mucho cuidado. Nunca llene el tanque en un recinto cerrado.
 - (d) Vuelva a colocar la tapa del tanque de combustible de manera segura, y limpie el combustible derramado.
 - (e) Nunca almacene combustible o el quitanieves con combustible en el tanque dentro de un edificio donde los vapores pudiesen alcanzar alguna llama abierta o chispas.
 - (f) Verifique que el quitanieves tenga suficiente combustible antes de cada uso, y deje un espacio adicional en el tanque puesto que el calor del motor

y/o del sol hace que el combustible se expanda.

5. Para todos los quitanieves con motores de arranque eléctrico, use cables de extensión con certificación CSA/UL. Use solamente tomacorrientes que hayan sido instalados de acuerdo con los reglamentos de inspección locales.
6. Permita que el motor y el quitanieves se ajusten a las temperaturas exteriores antes de comenzar a despejar la nieve.
7. Siempre use gafas de seguridad o protectores para los ojos durante la operación o mientras efectúa algún ajuste o reparación a la unidad, para proteger sus ojos de objetos extraños que pudiesen ser lanzados por el quitanieves.

OPERACIÓN

1. No opere este quitanieves si está tomando medicinas que puedan causar somnolencia o afectar su habilidad para operar el quitanieves.
2. No use el quitanieves si por motivos emocionales o físicos se le dificulta manejarlo de forma segura.
3. No coloque las manos o los pies cerca o debajo de piezas en movimiento. Manténgase en todo momento a buena distancia de la abertura del tubo de descarga.
4. Tenga mucho cuidado al operar el quitanieves en o a través de entradas de autos, senderos o caminos de grava. Manténgase alerta de peligros ocultos o tráfico.
5. Si golpea un objeto extraño, pare el motor, desconecte el cable de la bujía, inspeccione meticulosamente el quitanieves por si hubiera algún daño, y repárelo antes de arrancar el motor y operar el quitanieves nuevamente.
6. Si el quitanieves comienza a vibrar de manera excesiva, pare el motor y revíselo inmediatamente para encontrar la causa. Generalmente, la vibración es una advertencia de algún problema.
7. Pare el motor cuando deje la posición de operación, antes de desobstruir el alojamiento de la barrena/propulsor o el tubo de descarga, y cuando efectúe cualquier reparación, ajuste o inspección.
8. Cuando limpie, repare o inspeccione el quitanieves, asegúrese de que la barrena/propulsor y todas las partes móviles se encuentren detenidas, y que todos los controles estén desenganchados. Desco-

necte el cable de la bujía y manténgalo alejado de la bujía para evitar un arranque accidental.

9. Tome todas las precauciones posibles al dejar el quitanieves desatendido. Desenganche la barrena/propulsor, pare el motor y retire la llave.
10. No haga arrancar el motor en recintos cerrados, aún con las puertas y ventanas abiertas. Los vapores de escape son peligrosos (contienen MONÓXIDO DE CARBONO, un GAS INODORO y LETAL).
11. No use el quitanieves para limpiar áreas de terreno inclinadas (cuestas, pendientes). Tenga mucho cuidado cuando cambie de dirección. No intente limpiar pendientes muy pronunciadas.
12. Nunca opere el quitanieves sin que los resguardos, placas u otros dispositivos de seguridad se encuentren en su lugar.
13. Nunca opere el quitanieves cerca de escaparates de vidrio, automóviles, vidrieras, sitios de carga/descarga, y similares, sin el ajuste apropiado del ángulo de descarga de la nieve. Mantenga a los niños y las mascotas alejados del área que está despejando.
14. No sobrecargue la capacidad del quitanieves al intentar limpiar la nieve a una velocidad demasiado rápida.
15. Nunca opere el quitanieves a altas velocidades de transporte sobre superficies resbalosas. Mire hacia atrás y tenga cuidado al retroceder.
16. Nunca descargue directamente hacia espectadores ni permita a nadie frente al quitanieves.
17. Desenganche la fuerza motriz de la barrena/propulsor cuando el quitanieves sea transportado o no esté en uso.
18. Utilice únicamente aditamentos y accesorios aprobados por el fabricante del quitanieves (tales como cadenas para las ruedas, juegos de arranque eléctrico, etc.).
19. Nunca opere el quitanieves sin tener buena visibilidad o iluminación. Asegúrese

siempre que tiene buena estabilidad, y sujete con firmeza el mango. Camine; nunca corra.

20. No trate de alcanzar áreas difíciles. Mantenga la estabilidad y el balance en todo momento.
21. No trate de usar el quitanieves para limpiar techos.

MANTENIMIENTO Y ALMACENAMIENTO

1. Revise los pernos con frecuencia para asegurar que estén bien apretados y que el quitanieves esté en condiciones seguras de funcionamiento.
2. Guarde el quitanieves a una distancia de fuentes de ignición o de aparatos domésticos que tengan llamas de encendido, tales como calentadores de agua y estufas, secadoras de ropa, etc. Permita que el motor se enfríe antes de guardar el quitanieves en cualquier recinto.
3. Si va a almacenar el quitanieves por un periodo prolongado, siempre consulte las instrucciones del manual del operador donde encontrará consejos importantes.
4. Mantenga o reemplace las etiquetas de seguridad e instrucciones, según sea necesario.
5. Mantenga el quitanieves en marcha unos cuantos minutos después de despejar la nieve, para evitar que se congele la barrena/propulsor.



ADVERTENCIA: Este quitanieves es para uso en aceras, entradas de auto y otras superficies de terreno planas. Se debe tener cuidado al usar el quitanieves en superficies inclinadas. **NO USE EL QUITANIEVES EN SUPERFICIES SOBRE EL NIVEL DEL SUELO** tales como techos de residencias, de garajes, porches u otras estructuras o construcciones similares.

SÍMBOLOS

IMPORTANTE: Muchos de estos símbolos están colocados en su quitanieves o están impresos en los manuales que vienen con el producto. Antes de operar el quitanieves aprenda y comprenda el objetivo de cada símbolo.

SÍMBOLOS DE CONTROL Y OPERACIÓN



Despacio



Rápido



Arranque eléctrico



Arranque de motor



Motor en marcha



Motor apagado



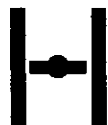
Apagado



Encendido



Ahogador desactivado



Ahogador activado



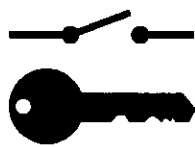
Neutro



Acelerador



Botón cebador



Llave de encendido



Ignición desactivada



Ignición activada



Embrague de propulsión



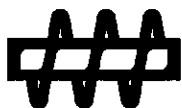
Avance



Marcha atrás



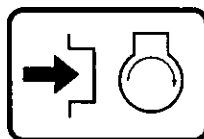
Embrague de barrena



Colector de barrena



Enganchar



Oprima para accionar el arranque eléctrico.



Transmisión

SÍMBOLOS DE CONTROL Y OPERACIÓN

Combustible



Aceite



Mezcla de combustible
y aceite



Descarga hacia
ABAJO



Descarga hacia
ARRIBA



Descarga hacia la
IZQUIERDA



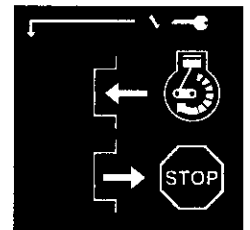
Descarga hacia la
DERECHA



Transferencia de peso
Levante el mango
para enganchar.



Transferencia de peso
Presione el pedal
para desenganchar.

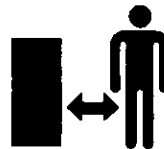


Llave de encendido
Insertar para marcha,
Retirar para parar.

Símbolos de advertencia de seguridad



PELIGRO
Objetos lanzados.
Mantenga alejados a
los transeúntes.



PELIGRO
Objetos lanzados.
Mantenga alejados a
los transeúntes.



ADVERTENCIA



IMPORTANTE
Lea el manual del
propietario antes de
operar esta máquina.



PELIGRO
Evite las lesiones que puede
causar la barrena rotatoria.
Mantenga las manos, los pies y
la ropa fuera de su alcance.



PELIGRO
Pare el motor
antes de desatascar
el tubo de descarga.



ADVERTENCIA
Superficie caliente



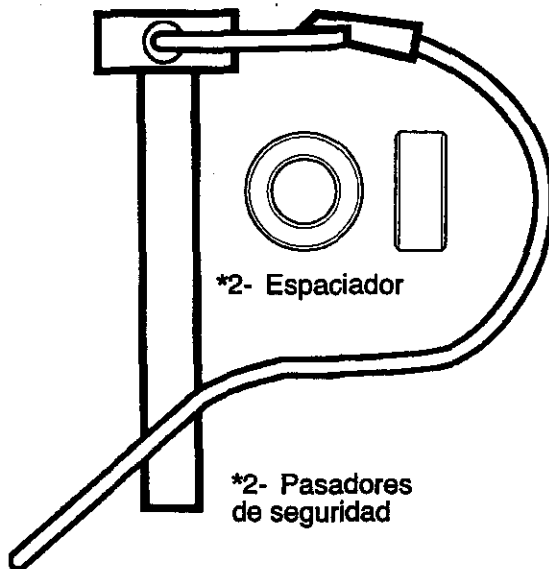
PARE

ENSAMBLAJE

CONTENIDO DE LA BOLSA DE PARTES (TAMAÑO REAL)

- 1 - Manual del Propietario (no se muestra)
- 1 - Paquete de estabilizador de combustible (no se muestra)
- 1 - Tarjeta de garantía (no se muestra)

*Las partes que no necesitan ensamblado se encuentran en la caja de herramientas ubicada en la cubierta de la correa.



ENSAMBLAJE



ADVERTENCIA: Siempre use gafas de seguridad o protectores para los ojos mientras ensambla el quitanieves.

HERRAMIENTAS NECESARIAS

- 1 - Navaja para cortar cartón
- 2 - Llave de tuercas de 1/2 plg (o llave de tuercas ajustable)
- 2 - Llave de tuercas de 9/16 plg (o llave de tuercas ajustable)
- 2 - Llave de tuercas de 3/4 plg (o llave de tuercas ajustable)
- 1 - Alicata (para abrir las patas del pasador de chaveta)
- 1 - Destornillador
- 1 - Cinta o regla para medir

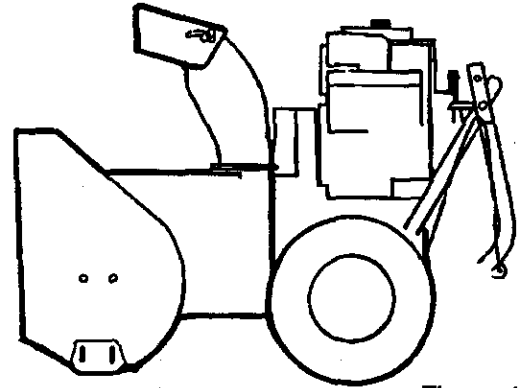


Figura 46

La Figura 46 muestra el quitanieves en posición de envío. La Figura 47 muestra el quitanieves completamente ensamblado. La referencia a los lados izquierdo y derecho del quitanieves se hace desde la posición del operador cuando éste se encuentra detrás de la unidad.

CÓMO SACAR EL QUITANIEVES DE LA CAJA

1. Ubique todas las piezas que vienen empaquetadas por separado y sáquelas de la caja.

NOTA: Coloque el estabilizador de combustible en un lugar seguro hasta que lo necesite para guardar la unidad.

2. Quite y deseche el material de empaque que rodea la unidad.
3. Haga un corte de arriba hacia abajo en cada esquina de la caja y deje los paneles sobre el suelo.
4. Corte las tiras que sujetan el eje a la plataforma de envío.
5. Para propósitos de envío, los patines de ajuste de altura, van sujetos a la plataforma de envío. Saque el tornillo que sujeta cada patín a la plataforma. Vea la Figura 47.
6. Agarre el quitanieves por el mango y jale para sacarlo de la plataforma. **PRECAUCIÓN:** NO retroceda sobre los cables de control.
7. Quite el material de empaque del conjunto de los mangos.

8. Corte los amarres que sujetan el cable de control del embrague al mango inferior, y colóquelo alejados del bastidor del motor.

Palanca de propulsión de la barrena

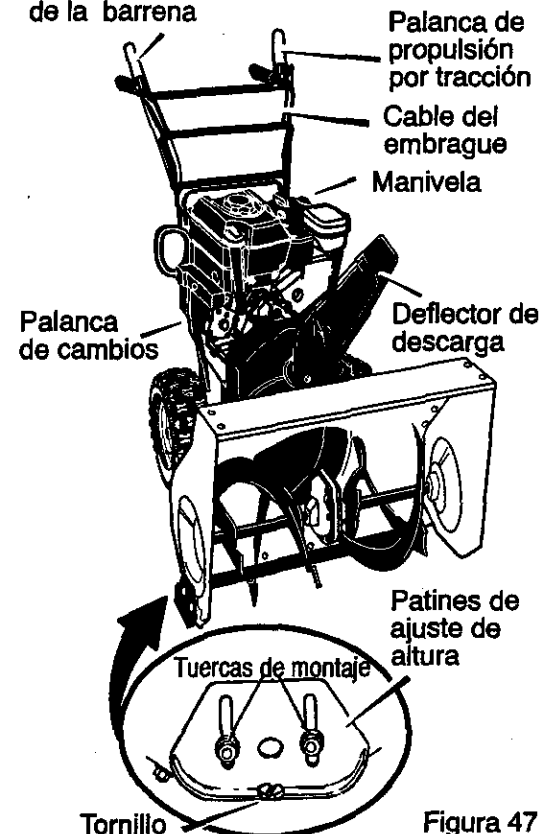


Figura 47

ENSAMBLAJE

CÓMO ENSAMBLAR EL MANGO Y EL CONJUNTO DE LA MANIVELA

1. Corte los amarres que sujetan la palanca de cambios al mango inferior y mueva la palanca a la primera velocidad de avance.
2. Corte y deseche el amarre de plástico que sujeta el conjunto de la manivela.
3. Afloje pero no quite los tornillos, arandelas planas, arandelas de seguridad y tuercas hexagonales que se encuentran en los agujeros superiores del mango inferior. Vea la Figura 48.
4. Retire los sujetadores y el perno de anilla de los agujeros inferiores del mango inferior. Vea la Figura 50.

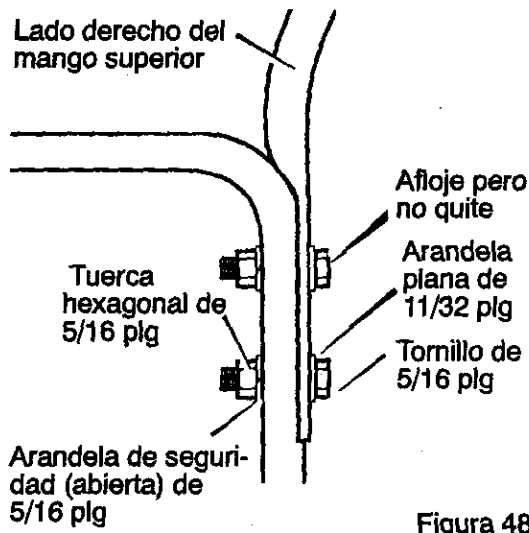


Figura 48

NOTA: Asegúrese de que los cables no queden atrapados entre los mangos superior e inferior.

5. Levante el mango superior a la posición de operación.

NOTA: Si los cables se han desconectado, conéctelos como se muestra en la Figura 49.

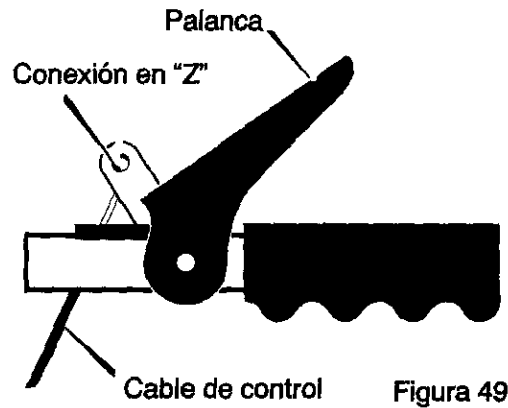


Figura 49

6. Instale los sujetadores que quitó en el paso 4. NO los apriete hasta tener todos los pernos en su lugar.

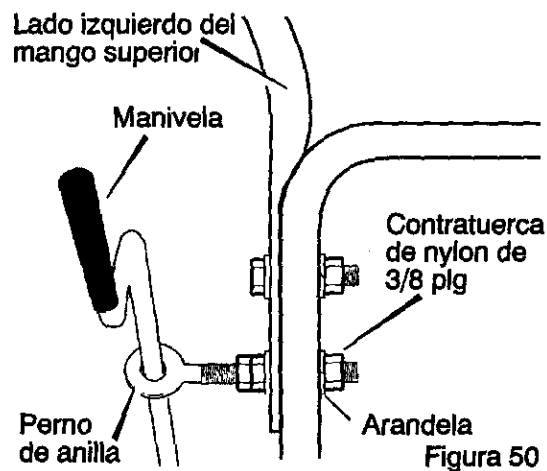


Figura 50

7. Conecte el eje de la manivela a la junta universal con el pasador de horquilla. Vea la Figura 51.
8. Apriete la tuerca del perno de anilla. Asegúrese de que el perno de anilla esté bien alineado y que la manivela pueda girar libremente.
9. Apriete todos los pernos del mango y del panel.

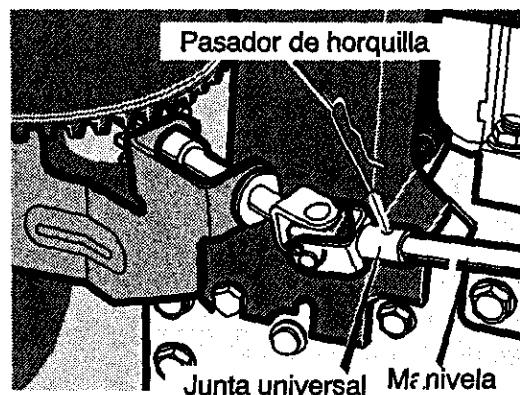


Figura 51

ENSAMBLAJE

NOTA: Si los cables se han desconectado, conéctelos como se muestra en la Figura 52.

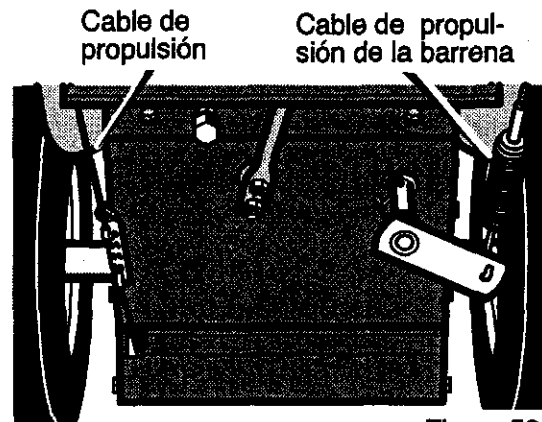


Figura 52

CÓMO ENSAMBLAR EL DEFLECTOR DEL TUBO DE DESCARGA

1. Quite el **perno cabeza de hongo**. Vea la Figura 53.
2. Levante el **deflector del tubo de descarga** a la posición de operación.
3. Monte el **deflector del tubo de descarga** en el **reborde** con los **pernos de cabeza de hongo**. Asegúrese de instalar los **pernos de cabeza de hongo** con la cabeza en la parte interior del reborde.
4. Sujete con las **arandelas** y las **contratuercas**.
5. Apriete firmemente las **contratuercas**.

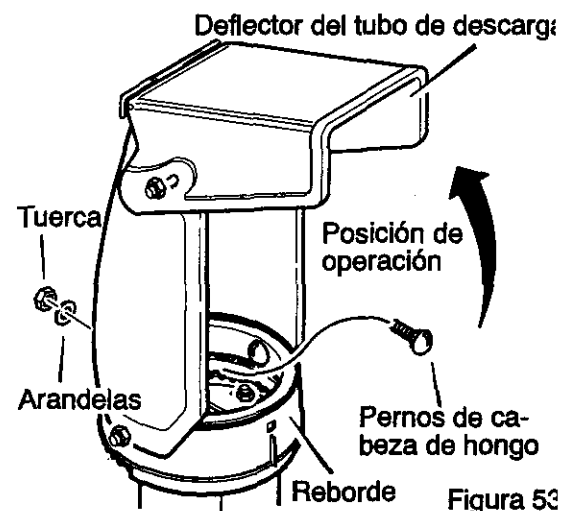


Figura 53

NOTA: Compruebe que los pernos de cabeza de hongo en el reborde estén bien apretados. **PERO NO LOS APRIETE DEMASIADO.**

CÓMO AJUSTAR LOS PATINES DE ALTURA

Su quitanieves está equipado con patines de ajuste de altura ubicados en la parte exterior del alojamiento de la barrena. Para ajustar los patines de altura para diferentes condi-

ciones, consulte "Ajuste de los patines de altura", en la sección de **Servicio y Ajustes**.

CÓMO ESTABLECER LA LONGITUD DE LOS CABLES

Puesto que los cables fueron ajustados en la fábrica, no es necesario que usted los ajuste. Sin embargo, una vez que se instalan los mangos en la posición de operación, es posible que los cables queden muy tirantes o

muy flojos. Si es necesario ajustarlos, consulte el párrafo "Cómo revisar y ajustar los cables" que aparece en la sección de **Servicio y Ajustes**.

ENSAMBLAJE

✓ LISTA DE REVISIÓN

Antes de usar su nuevo quitanieves, y para asegurar que obtenga el mejor rendimiento y la mayor satisfacción de este producto de calidad, por favor haga un repaso de la siguiente lista de revisión:

- ✓ Se han completado todas las instrucciones de ensamblado.
- ✓ El canal de descarga gira libremente.
- ✓ No quedan piezas sueltas en la caja de cartón.
- ✓ Revise los sujetadores. Compruebe que todos estén bien apretados.
- ✓ Revise la presión de aire de las ruedas. La presión de aire correcta es de 14 a 17 PSI. En la parte lateral de las llantas aparece la presión de aire máxima para inflar las ruedas. No sobrepase este máximo.

- ✓ En los modelos de arranque eléctrico, la unidad ha sido enviada con el cable del sistema de arranque enchufado al motor. Antes de utilizar la unidad, sírvase desenchufar el cable de arranque del motor.

Al mismo tiempo que aprende a usar su quitanieves, preste mucha atención a los importantes detalles a continuación:

- ✓ El aceite del motor está al nivel adecuado. Use un aceite detergente de alta calidad clasificado como "Para servicio SG, SH, SJ, SL o superior".
- ✓ Asegúrese que el tanque de gasolina esté lleno con gasolina limpia, fresca y sin plomo con un octanaje mínimo de 85.
- ✓ Familiarícese con todos los controles, su ubicación y función. Opere los controles antes de hacer arrancar el motor.

OPERACIÓN

CONOZCA SU QUITANIEVES

LEA ESTE MANUAL DEL USUARIO Y LAS REGLAS DE SEGURIDAD ANTES DE USAR SU QUITANIEVES. Compare las figuras con su QUITANIEVES para familiarizarse con las posiciones de los diversos controles y ajustes. Guarde este manual para referencia futura.

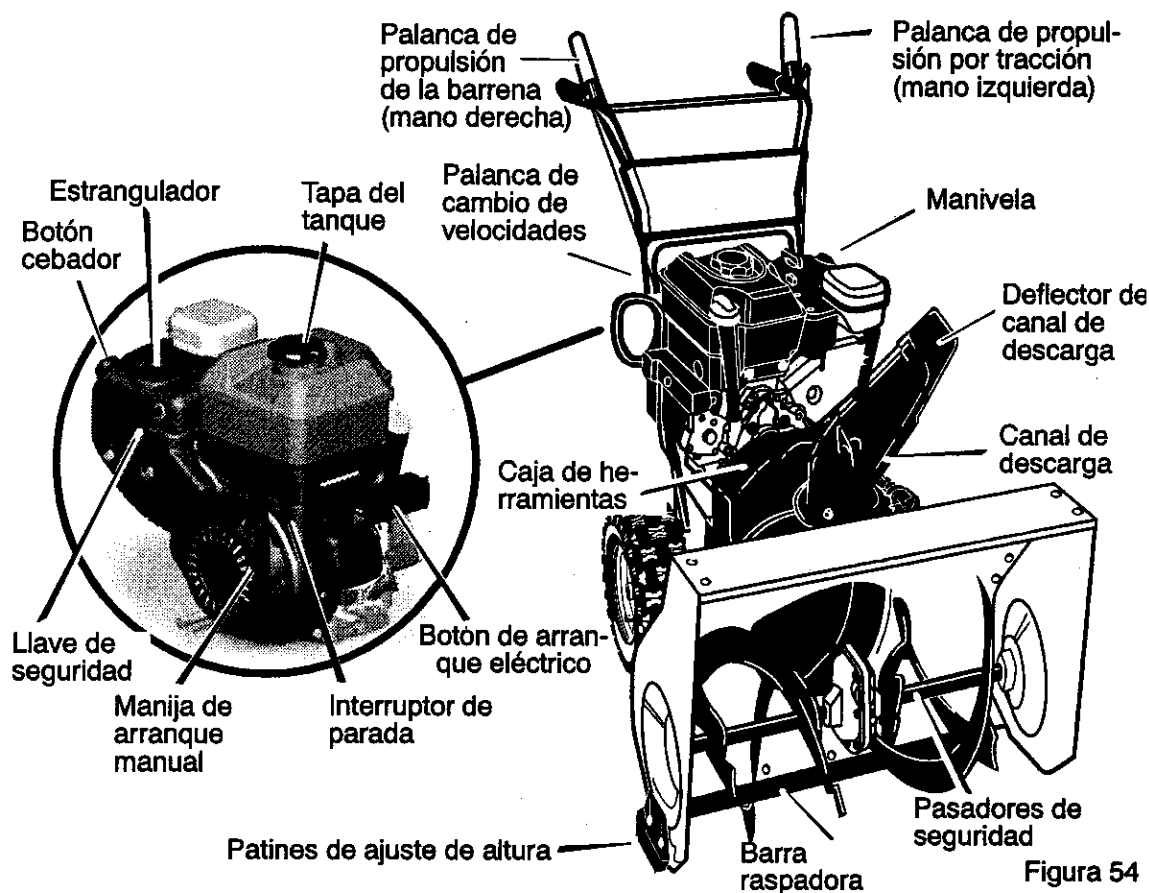


Figura 54

Palanca de propulsión de la barrena - Arranca y detiene la barrena y el propulsor (recoge y lanza la nieve).

Palanca de propulsión por tracción - Impulsa el quitanieves hacia delante o hacia atrás.

Palanca de cambio de velocidades - Selecciona la velocidad del quitanieves (6 velocidades hacia adelante y 2 velocidades hacia atrás).

Manivela - Cambia la dirección de lanzamiento de la nieve.

Deflector del canal de descarga - Cambia la distancia de lanzamiento de la nieve.

Canal de descarga - Cambia la altura de lanzamiento de la nieve.

Patines de ajuste de altura - Ajustan la distancia libre entre el terreno y el alojamiento de la barrena.

Llave de seguridad - Debe ser insertada para arrancar el motor.

Manija de arranque manual - Para arrancar el motor de forma manual.

Estrangulador - Se usa para arrancar un motor frío.

Botón cebador - Inyecta combustible directamente dentro del carburador o distribuidor para un arranque rápido en temperaturas bajas.

Botón de arranque eléctrico (si la unidad lo tiene) - Se usa para arrancar el motor usando el arrancador eléctrico de 120V.

Pasadores de seguridad - Pernos diseñados especialmente para romperse (para proteger la máquina) si un objeto se atasca en el alojamiento de la barrena.

Caja de herramientas - Contiene pasadores de seguridad y espaciadores de repuesto.

OPERACIÓN

La operación de cualquier quitanieves puede ocasionar que objetos extraños sean lanzados con fuerza hacia los ojos, lo cual podría resultar en lesiones graves. Use siempre gafas de seguridad o protectores para los ojos mientras opera el quitanieves.

Se recomiendan las gafas de seguridad estándar o la máscara de seguridad de visión amplia para usarla sobre los anteojos.



ADVERTENCIA: Lea el manual del propietario antes de operar la máquina. Nunca dirija la descarga hacia los transeúntes. Pare el motor antes de desobstruir el canal de descarga o el alojamiento de la barrena y antes de dejar la máquina.

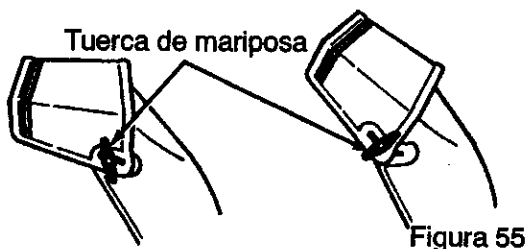
CÓMO DETENER EL QUITANIEVES

1. Para detener el lanzamiento de nieve, suelte la palanca de propulsión de la barrena.
2. Para detener las ruedas, suelte la palanca de propulsión por tracción.
3. Para parar el motor, saque la llave de seguridad.

PRECAUCIÓN: Para parar el motor, no mueva el control de cebado a la posición de ESTRANGULADOR. Esto puede producir petardeo o daño al motor.

CÓMO CONTROLAR LA DESCARGA DE NIEVE

1. Gire la manivela de control para establecer la dirección del lanzamiento de la nieve.
2. Afloje la tuerca de mariposa en el deflector del canal de descarga y ajuste el deflector para establecer la distancia. Mueva el deflector hacia (ARRIBA) para mayor distancia, hacia (ABAJO) para una distancia menor. Luego apriete la tuerca de mariposa (Figura 55).



CÓMO AVANZAR Y RETROCEDER

1. Para cambiar de velocidad, suelte la palanca de propulsión por tracción (mano izquierda) y mueva la palanca de cam-

bios a la velocidad deseada. La velocidad en el terreno será determinada por las condiciones de la nieve. Seleccione la velocidad que desea moviendo la palanca de cambio de velocidades a la ranura apropiada del panel de control de cambios.

Velocidad 1, 2 - Nieve mojada, pesada

Velocidad 3 - Nieve ligera

Velocidad 4 - Nieve muy ligera

Velocidad 5, 6 - Para transportar la unidad solamente

2. Enganche la palanca de propulsión por tracción (mano izquierda). A medida que el quitanieves comienza a moverse, sujete firmemente los mangos, y guíe el quitanieves a lo largo del camino a despejar. No intente empujarlo.
3. Para mover el quitanieves en retroceso, mueva la palanca de cambio de velocidades a la primera o segunda velocidad de retroceso y enganche la palanca de propulsión por tracción (mano izquierda).

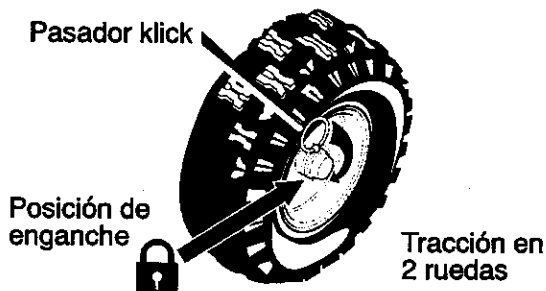
IMPORTANTE: Nunca mueva la palanca de cambio de velocidades mientras la palanca de propulsión por tracción está abajo.

LANZAMIENTO DE NIEVE

1. Empuje la palanca de propulsión de la barrena (mano derecha) hacia abajo.
2. Suéltela para detener el lanzamiento de nieve.

CÓMO USAR EL PASADOR DE ENGANCHE DE LA RUEDA

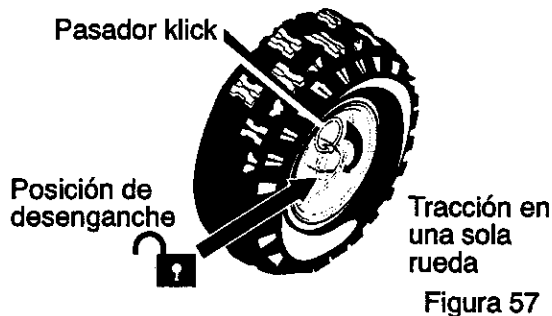
1. La rueda del derecho va asegurada al eje por medio de un pasador de enganche (pasador klick). Esta unidad fue despa-chada con el pasador en la posición de enganche (a través del agujero de la rueda). Figura 56.



2. Para facilitar la maniobra de la unidad en condiciones de nieve ligera, desconecte el pasador klick de la posición de enganche de la rueda e introdúzcalo en el

OPERACIÓN

agujero para tracción de una rueda (**desenganche solamente el agujero del eje**). Figura 57.



NOTA: Asegúrese de que el pasador click esté en la posición de tracción de una sola rueda en el eje solamente, y no esté insertado a través de la posición de enganche.

ANTES DE ENCENDER EL MOTOR

1. Antes de dar servicio o encender el motor, familiarícese con su quitanieves. Asegúrese de conocer la ubicación de todos los controles y entender su función.
2. Revise la tensión del cable del embrague antes de arrancar el motor. Consulte el **Ajuste del cable de control** que aparece en la sección de **Servicio y Ajustes** de este manual.
3. Asegúrese de que todos los sujetadores estén apretados.
4. Compruebe que el ajuste de los patines de altura esté correcto. Consulte el párrafo "**Ajuste de los patines de altura**" que aparece en la sección de **Servicio y Ajustes** de este manual.
5. Revise la presión de los neumáticos (14-17 libras). No exceda el límite máximo de presión.

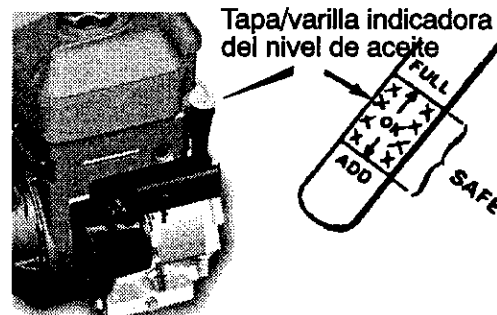
ANTES DE ARRANCAR EL MOTOR

NOTA: El motor fue enviado de la fábrica con aceite. Revise el nivel de aceite. Añada aceite según sea necesario.

Para añadir aceite

1. Asegúrese de que la unidad se encuentre sobre una superficie nivelada.
NOTA: No revise el nivel de aceite estando el motor en marcha.
2. Quite la tapa/varilla indicadora del nivel de aceite y límpiela con un paño limpio.
3. Inserte la tapa/varilla indicadora del nivel de aceite y gírela hacia la derecha para apretarla.

4. Saque la tapa/varilla indicadora del nivel de aceite y revise el aceite.
5. Si es necesario, añada aceite hasta la línea FULL (lleno) en la tapa/varilla indicadora del nivel de aceite (Figura 58). No exceda la medida.



NOTA: El nivel del aceite deberá estar en la marca FULL (lleno)

6. Apriete firmemente la tapa/varilla cada vez que revise el nivel de aceite.

NOTA: El aceite sintético puede servirle para hacer arrancar el motor en condiciones de temperaturas sumamente frías. El aceite sintético 5W30 es aceptable para todas las temperaturas. NO mezcle el aceite con gasolina.

COMBUSTIBLE:

Este motor ha sido certificado para funcionar con gasolina. Sistema de control de emisiones de escape: EM (Modificaciones al motor).



ADVERTENCIA: Los combustibles mezclados con alcohol (llamados gasohol o aquellos que usan etanol o metanol) pueden atraer humedad la cual conduce a la separación y formación de ácidos durante el almacenamiento. Los gases ácidos pueden dañar el sistema de combustible de un motor mientras se encuentra en almacenamiento.

NOTA: Para evitar problemas en el motor, el sistema de combustible debe vaciarse antes del guardar la unidad por 30 días o más. Arranque el motor y déjelo en marcha hasta que las líneas de combustible y el carburador estén vacíos. Use gasolina fresca la siguiente temporada. Para mayor información consulte la sección de **Almacenamiento** de este manual.

Nunca use productos de limpieza de motor o carburador en el tanque de combustible, de

OPERACIÓN

lo contrario podría causar daño permanente a la unidad.

Llene el tanque solamente con gasolina fresca, limpia, regular sin plomo, súper sin plomo o gasolina automotor reformulada con un octanaje mínimo de 85. **NO** use gasolina



ADVERTENCIA: La gasolina es inflamable y debe tener mucho cuidado al manipularla o almacenarla.

- Apague el motor y deje que se enfríe por lo menos por dos minutos antes de quitar la tapa del tanque de combustible.
- No llene el tanque de combustible mientras el quitanieves se encuentre en marcha, cuando esté caliente, o cuando el quitanieves se encuentre en un área cerrada.
- Mantenga la unidad alejada de llamas abiertas o chispas eléctricas y no fume mientras llena el tanque de combustible.

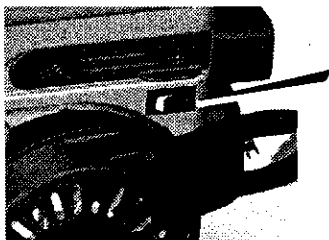
con plomo. Asegúrese de que el recipiente que contiene la gasolina a utilizar, esté limpio y sin óxido u otras partículas extrañas. Nunca use gasolina que pueda estar vencida debido a su prolongado almacenamiento.

- Nunca llene el tanque completamente, llene el tanque hasta dejar entre 1-1/2 pulgada aproximadamente de la boquilla del tanque para proporcionar espacio para la expansión del combustible.
- Siempre llene el tanque al aire libre y use un embudo o boquilla para prevenir el derrame.
- Asegúrese de limpiar cualquier combustible derramado antes de arrancar el motor.
- Almacene la gasolina en un contenedor, limpio y aprobado, y mantenga la tapa puesta y segura en el contenedor.

PARADA DEL MOTOR

PRECAUCIÓN: Para parar el motor, no mueva el control de cebado a la posición **CHOKE**. Puede producir petardeo o daño al motor

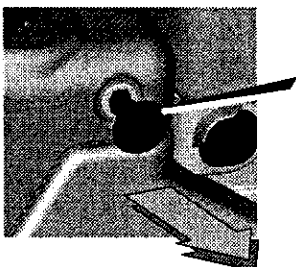
1. Empuje el interruptor de parada a la posición **APAGADO**.



Interruptor de parada

Figura 59

2. Jale hacia fuera la llave de seguridad.



Llave de seguridad

Figura 60

ARRANQUE DEL MOTOR

Asegúrese de que el nivel de aceite indique **FULL (LLENO)** en la varilla. El motor del quitanieves está equipado con un arrancador eléctrico de 120 voltios de corriente alterna y con un arrancador manual. Antes de arrancar el motor, asegúrese de haber leído la información siguiente:

Si el motor se ahoga, coloque el estrangulador en la posición **OPEN/RUN** (abierto/en marcha) y vire el motor hasta que arranque.



ADVERTENCIA: El rápido retroceso del cordón de arranque manual jalará su mano o brazo hacia el motor mucho más rápido de lo que usted pueda soltar el cordón de arranque manual. Esto puede causar rotura de huesos, fracturas, hematomas o torceduras.

- Cuando haga arrancar el motor, jale lentamente el cordón de arranque manual hasta que sienta resistencia. Entonces, dé el jalón rápido al cordón de arranque manual.
- Antes de hacer arrancar el motor, quite toda carga externa de equipo/motor.
- Asegúrese de que los componentes; tales como el rotores, poleas o ruedas dentadas, estén instalados firmemente.

OPERACIÓN



ADVERTENCIA: El motor de arranque está equipado con un cable de alimentación y enchufe trifilar, diseñados para funcionar con corriente doméstica de 120 voltios CA. El cable de alimentación deberá estar conectado a tierra en todo momento para evitar la posibilidad de un choque eléctrico que podría lesionar al operador.

- Siga cuidadosamente todas las instrucciones de la sección "Arranque del motor."
- Verifique que el alambrado eléctrico de su casa tenga un sistema trifilar conectado a tierra. Si no está seguro de esto, pregúntele a un electricista profesional. Si su casa no cuenta con un sistema de alambrado eléctrico trifilar, no use el arrancador eléctrico bajo ninguna circunstancia.

- Si su sistema está conectado a tierra pero no dispone de un tomacorrientes trifilar, en un punto conveniente para enchufar su arrancador eléctrico, pida a un electricista profesional que le instale uno.
- Para conectar el cable de alimentación de 120 voltios de CA, siempre conecte primero el cable a la caja del tomacorrientes del motor, luego enchufe el otro extremo en el tomacorrientes trifilar conectado a tierra. Al desconectar el cable de alimentación eléctrica, siempre desenchufe primero el extremo en el tomacorrientes conectado a tierra.

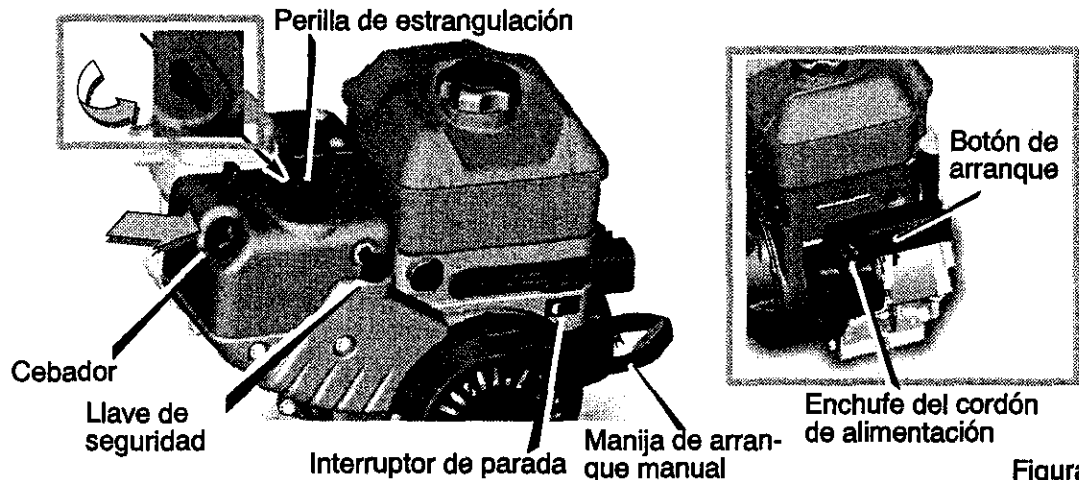


Figura 61

Cómo hacer arrancar el motor en frío

1. Compruebe que las palancas de propulsión de la barrena y de propulsión por tracción estén en la posición desenganchado.
2. Empuje el **botón de parada** a la posición ENCENDIDO (Figure 16).
3. Empuje la **llave de seguridad**.
4. Gire la **perilla de estrangulación** a la posición ESTRANGULACIÓN.
5. (**Arranque eléctrico**) Conecte el cable de alimentación al **motor de arranque** en el motor. Enchufe el otro extremo del cable de alimentación en un tomacorrientes trifilar de 120 voltios CA, conectado a tierra.
6. Empuje el **botón cebador** de la manera indicada a continuación. Quite el dedo del botón cebador entre cebados.
 - Oprima el botón dos veces si la temperatura está 15°F (-9°C) o más.
 - Oprima el botón cuatro veces si la temperatura se encuentra por debajo de los 15°F (-9°C).
7. (**Arranque eléctrico**) Presione el **botón de arranque** hasta encender el motor. Para prolongar la vida útil del motor de arranque, no lo presione por más de 5 segundos a la vez. Espere un minuto en-

OPERACIÓN

tre arranques para permitir que el motor de arranque se enfríe.

8. **(Arranque a manual)** Jale lentamente la **manija de arranque manual** hasta que sienta resistencia y entonces júlela rápidamente para arrancar el motor. No suelte la manija inmediatamente después de jalarla. Deje que la manija del arranque manual se enrolle lentamente.
9. Si el motor no arranca a los 5 ó 6 intentos, lea las instrucciones sobre: Dificultad para arrancar en la "Tabla de localización y reparación de averías".
10. Permita que el motor se caliente por varios minutos. Mientras el motor se calienta, ajuste la **perilla de estrangulación** moviéndola hacia la posición **EN MARCHA**. Espere hasta que el motor esté en marcha suave antes de cada ajuste del estrangulador.
11. **(Arranque eléctrico)** Desconecte el cable de alimentación, primero del tomacorrientes y luego del **motor de arranque**.

Cómo hacer arrancar un motor caliente

Si está arrancando un motor caliente después de haberlo apagado por un período corto, deje la palanca del estrangulador en la posición "DESACTIVADO" y no oprima el botón cebador. Si el motor no arranca, siga las instrucciones sobre Arranque del motor en frío.

ARRANQUE CONGELADO

Si el motor de arranque está congelado y no enciende el motor, siga los pasos siguientes.

1. Jale tanta cuerda del motor de arranque como sea posible.
2. Suelte la manija de arranque manual y déjela enrollarse con fuerza contra el motor de arranque. Repita hasta que logre encender el motor.

Cuando hace frío, un motor caliente producirá condensación. Para ayudar a evitar que

se congelen el arranque manual y los controles del motor, proceda de la manera siguiente después de cada trabajo de remoción de nieve.

1. Deje que el motor (apagado) se enfríe unos cuantos minutos.
2. Jale lentamente el cordón (cuerda) de arranque hasta que sienta resistencia, luego deje de jalar. Permita que el cordón vuelva a enrollarse. Repita tres veces.
3. Con el motor apagado, limpie toda la nieve y humedad de la cubierta del carburador en la zona de los controles y las palancas. Asimismo, mueva la palanca del estrangulador/ahogador y la manija de arranque varias veces.



ADVERTENCIA: Nunca arranque el motor dentro de un recinto cerrado o en áreas con poca ventilación. Los gases de escape del motor contienen **MONÓXIDO DE CARBONO, UN GAS INODORO Y MORTAL**. Mantenga las manos, los pies, el pelo y la ropa suelta alejados de las partes en movimiento tanto del motor como del quitanieves.

- Las partes del motor, particularmente el silenciador, se ponen muy calientes. El contacto puede producir quemaduras severas debido al calor. Deje que el motor se enfríe antes de tocarlo.
- Los niños nunca deben operar el quitanieves. Los adultos no capacitados nunca deben operar el quitanieves.
- Asegúrese de que en el área a despejar no haya personas, especialmente niños pequeños y mascotas.
- No deje nunca el quitanieves desatendido mientras el motor está encendido. Las personas que operen el motor o equipo deben haber leído detenidamente y entendido las instrucciones de operación.

OPERACIÓN

CÓMO QUITAR LA NIEVE Y ESCOMBROS ATASCADOS DE LA BARRENA



ADVERTENCIA: No Intente quitar la nieve ni escombros atascados en la barrena con sus manos. Use el la barra de limpieza para quitar la nieve o escombros.

En la parte de arriba del alojamiento de la barrena se encuentra un bastón de limpieza. Uti-

lice el bastón de limpieza para quitar la nieve atascada en el alojamiento de la barrena.

- Suelte la palanca de propulsión de la barrena.
- Retire (sin girar) la llave de seguridad.
- Desconecte el cable de la bujía.
- No coloque las manos en la barrena o canal de descarga. Use el bastón de limpieza para quitar la nieve.

CONSEJOS SOBRE EL LANZAMIENTO DE NIEVE

1. Para un rendimiento máximo de su quitanieves, al despejar la nieve ajuste la velocidad sobre el terreno. Avance lentamente en nieve profunda, congelada, o mojada. Si las ruedas patinan, reduzca la velocidad de avance.
2. El lanzamiento de nieve es más eficiente si el trabajo se realiza inmediatamente después de la nevada.
3. Para una remoción completa de la nieve, traslape ligeramente cada camino adoptado previamente. En nieve profunda, superponga los barridos entre sí para evitar sobrecargar la máquina.
4. La nieve debería ser descargada en la dirección del viento siempre que sea posible.
5. Para uso normal, ajuste los patines de altura de manera que la barra raspadora quede a 1/8 de pulgada sobre los patines. Para superficies de nieve sumamente compacta, ajuste los patines de altura hacia arriba de manera que la barra raspadora haga contacto con el suelo.
6. En superficies de grava o piedra triturada, ajuste los patines de altura a 1-1/4 pulgadas por debajo de la barra raspadora. Consulte el párrafo "**Ajuste de los patines de altura**" en la sección de **Servicio y Ajustes** de este manual. Este ajuste es importante para que la máquina no recoja y lance piedras ni grava.
7. Después de completar el trabajo de despejar la nieve, deje el motor en marcha por unos cuantos minutos, esto derretirá la nieve y hielo acumulados alrededor del motor.
8. Limpie completamente el quitanieves después de cada uso.
9. Quite toda acumulación de hielo y nieve y todo material extraño del quitanieves, y enjuague con agua (si fuera posible) para remover toda la sal u otros químicos. Seque el quitanieves con un paño.

MANTENIMIENTO

RESPONSABILIDADES DEL PROPIETARIO

REGISTROS DE SERVICIO Anote las fechas en que se hace mantenimiento regular	Antes de cada uso	A menudo	Cada 8 horas	Cada 25 horas	Cada 50 horas	Cada 100 horas	Cada estación	Antes de guardarlo
Revisar el nivel de aceite del motor	✓		✓					
Cambiar el aceite del motor					✓			
Apretar todos los tornillos y tuercas	✓	✓						
Revisar la bujía				✓				
Reemplazar la bujía						✓		
Limpiar y examinar el parachispas					✓			
Lubricar el reborde del control de descarga								✓
Revisar el combustible	✓							
Revisar el ajuste del cable de control de la barrena				✓				
Correa de propulsión de la barrena *				✓				
Revise la presión de las ruedas				✓				

* Ajustar después de 2 a 4 horas de uso.

RECOMENDACIONES GENERALES

La garantía de este quitanieves no cubre piezas que hayan sido sometidas a abuso o negligencia por parte del operador. Para recibir el valor completo de la garantía, el operador debe mantener el quitanieves de acuerdo a las instrucciones contenidas en este manual. Se deben hacer algunos ajustes periódicamente para mantener adecuadamente su quitanieves.

El mantenimiento, reemplazo o reparación de los dispositivos y sistemas de control de emisiones, pueden ser realizados por personas capacitadas o establecimientos de reparaciones de unidades con motor móvil no carretera. El mantenimiento periódico mejorará el rendimiento y extenderá la vida útil del motor.



ADVERTENCIA: No golpee la rueda volante con un martillo o con algún objeto duro. Si lo hace, la rueda volante puede quebrarse durante el uso de la unidad. No trate de modificar el resorte del regulador ni otras piezas para incrementar la la velocidad del motor.

DESPUÉS DE CADA USO

- Haga funcionar la unidad para que salga toda la nieve acumulada en la barrena.
- Para evitar el congelamiento de la barrena o de los controles, limpie toda la nieve y el hielo del quitanieves.
- Vea si hay piezas sueltas o dañadas.
- Apriete los sujetadores que estén sueltos.
- Revise y dele mantenimiento a la barrena.
- Revise los controles para asegurarse de que funcionan adecuadamente.
- Para evitar el congelamiento de la barrena o de los controles, limpie toda la nieve y el hielo del quitanieves.

MANTENIMIENTO

MOTOR ESPECIFICACIONES

CABALLOS DE FUERZA	8.5 HP
CILINDRADA	249 cc
CALIBRE	75mm (2,970 pulg.)
CARRERA	56mm (2,205 pulg.)
CAPACIDAD DE GASOLINA	3 cuartos (sin plomo)
CAPACIDAD DE ACEITE	18 onzas, 5W30
BUJÍA:	Champion RJ19LM (Entrehierro 0,030plg.)
JUEGODE VÁLVULA:	Entrada: 0,004-0,006 plg. Escape: 0,009-0,011 plg.
ENTREHIERRO DEL INDUCIDO:	0,010-0,014 pulg.

CLASIFICACIÓN DE POTENCIA

La clasificación de potencia para un modelo de motor en particular se desarrolla inicialmente comenzando con el código J1940 de SAE (Sociedad de Ingenieros Automotrices) (Procedimiento de Clasificación de Potencia & Torque del Motor Pequeño) (Revisión 2002-05). Dado ambos un amplio conjunto de productos en los cuales son puestos nuestros motores, y la variedad de emisiones ambientales aplicables al operar el equipo, puede que el motor que usted haya comprado no desarrolle la potencia nominal cuando sea usado en una parte del equipo acoplado (potencia real "en el-sitio"). Esta diferencia se debe a una variedad de factores incluyendo, pero no limitándose a, lo siguiente: diferencias en altitud, temperatura, presión barométrica, humedad, combustible, lubricación del motor, máxima velocidad regulada del motor, el motor particular a la variabilidad del motor, diseño de la parte en particular del equipo acoplado, la manera en la cual es operado el motor, el despegue del motor para reducir la fricción y para limpiar las cámaras de combustión, los ajustes a las válvulas y al carburador, y otra variedad de factores. Esta clasificación de potencia puede también ser ajustada basándose en comparaciones a otros motores semejantes utilizados en aplicaciones similares, y por lo tanto no se igualarán necesariamente los valores derivados usando los códigos anteriores.

QUITANIEVES

CORREA DE PROPULSIÓN DE LA BARRENA

Ajuste la correa de propulsión de la barrena después de las primeras 2 ó 4 horas, y nuevamente a mitad de la temporada, y dos veces cada temporada posteriormente, (Consulte "Cómo ajustar las correas" en la sección de Servicio y Ajustes.

LUBRICACIÓN DE LA CADENA - CADA 25 HORAS

1. Ponga la palanca de selección de velocidad en primera (1).
2. Ponga el quitanieves de pie sobre el extremo del alojamiento de la barrena.
NOTA: Cuando el cárter del motor esté lleno de aceite, asegúrese de no dejar el quitanieves de pie sobre el alojamiento de la barrena por mucho tiempo.
3. Quite el panel inferior.
4. Lubrique las cadenas con un lubricante especial para cadenas.
5. Cuando vaya a almacenarlo, limpie el eje hexagonal y los engranajes con aceite de motor 5W30.

NOTA: Limpe todo exceso de grasa o de aceite de la rueda de fricción o de la placa del disco de propulsión.

PRECAUCIÓN: No permita que la grasa entre en contacto con la rueda de fricción ni con la placa del disco de propulsión.

6. Instale el panel inferior.

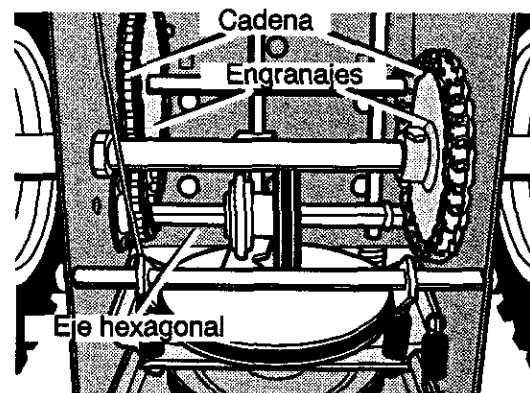


Figura 62

CAJA DE ENGRANAJES DE LA BARRENA

La caja de engranajes de la barrena se lubrica en la fábrica y no requiere lubricación. Si por alguna razón el lubricante se escapa, haga revisar esta caja de engranajes en un centro de servicio autorizado.

MANTENIMIENTO

MOTOR

LUBRICACIÓN

Revise el nivel de aceite en el cárter del motor antes de encenderlo y después de cada ocho (8) horas de uso continuo. Figura 63. Agregue aceite de motor S.A.E. 5W30 a medida que sea necesario. El aceite sintético 5W30 es aceptable para cualquier temperatura. Apriete la tapa/varilla indicadora en forma segura cada vez que revise el nivel del aceite.

Tapa/varilla indicadora del nivel de aceite



NOTA: El nivel de aceite debe indicar **LLENO (FULL)**.
Figura 63

Cambie el aceite cada cincuenta (50) horas de uso, o por lo menos una vez al año si el quitanieves no se usa por cincuenta (50) horas.

CAMBIO DE ACEITE

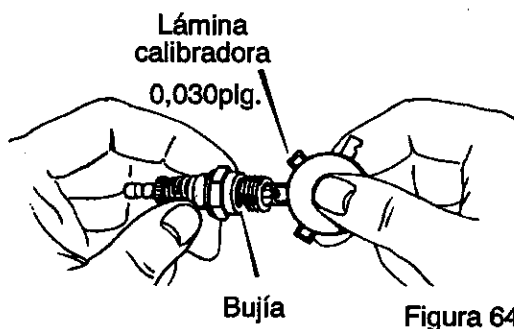
1. Coloque el quitanieves de manera tal que el **tapón de drenaje del aceite** quede en el punto más bajo del motor.
2. Una vez que el motor está caliente, quite el tapón de drenaje del aceite y la **tapa/varilla indicadora del nivel de aceite** (Figura 65). Drene el aceite en un recipiente apropiado.
3. Una vez que haya sacado todo el aceite, coloque nuevamente el tapón de drenaje en su lugar y apriételo para que quede seguro.
4. Llene lentamente el cárter del motor con aceite recomendado. **NO LO LLENE DEMASIADO.** Consulte "Para añadir aceite" en la sección de Operación.

BUJÍA

Revise la **bujía** cada veinticinco (25) horas. Reemplácela si los electrodos están picados o quemados, si la porcelana está rajada, o cada 100 horas de uso.

1. Asegúrese de que la **bujía** esté limpia. Límpiela raspando con mucho cuidado los electrodos (**no use chorro de arena ni cepillo de alambres**).
2. Revise el **entrehierro de la bujía** usando una **lámina calibradora** y restablezca el entrehierro a 0,030 plg. si fuera necesario. Figura 64.
3. Antes de instalar la **bujía**, cubra la rosca

con un poco de aceite para que sea más fácil sacarla, si fuera necesario. Apriete la bujía a un par de apriete de 15 pie-libra.



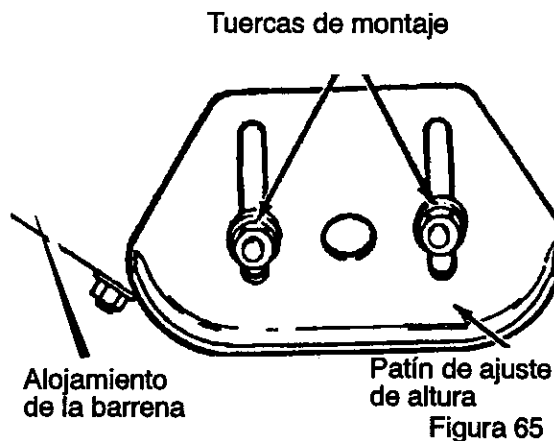


ADVERTENCIA: Para prevenir el arranque accidental del motor, siempre desconecte el cable de la bujía y manténgalo alejado de ésta mientras realiza ajustes o reparaciones a la unidad.

CÓMO AJUSTAR LOS PATINES DE ALTURA

Este quitanieves está equipado con dos patines de ajuste de altura, ubicados en el lado exterior del alojamiento de la barrena. Vea la Figura 65.

Estos patines de ajuste de altura elevan la parte delantera del quitanieves.



Para superficies duras normales, tales como entradas de auto o senderos pavimentados ajuste los patines de ajuste de altura de la de la siguiente manera:

1. Ponga el quitanieves en una superficie nivelada.
2. Compruebe que ambos neumáticos tengan la misma presión de aire. La presión de aire correcta es 14 a 17 PSI. No exceda la presión máxima indicada en la cara lateral del neumático.
3. Coloque los pernos de seguridad adicionales que vienen con la unidad debajo de cada extremo de la barra raspadora junto a los patines de ajuste de altura.

4. Afloje las tuercas de montaje que sujetan los patines de ajuste de altura. Para bajar la parte delantera del quitanieves, suba los patines. Apriete las tuercas de montaje. Vea la Figura 65.

NOTA: Para las superficies pedregosas o irregulares, suba la parte delantera del quitanieves bajando los patines de ajuste..



ADVERTENCIA: Asegúrese de mantener la altura necesaria sobre el suelo del área que se va a limpiar. Si el impulsor golpea objetos tales como grava, piedras u otros desechos, los puede lanzar con suficiente fuerza como para causar lesiones personales, daños a la propiedad o daños al quitanieves.

AJUSTE DE LA BARRA RASPADORA

Después de mucho uso, la barra raspadora metálica se gastará. La barra raspadora y los patines, siempre deben ajustarse de manera que quede un espacio de 1/8 plg. entre la barra raspadora y la acera o el área que se va a despejar.

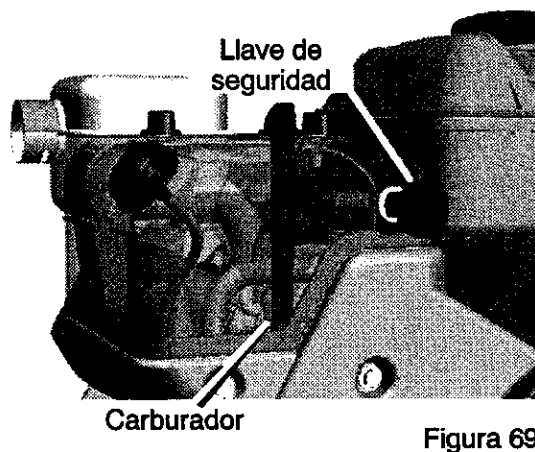
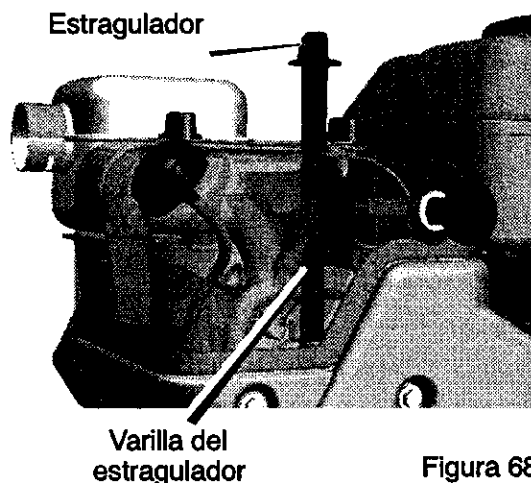
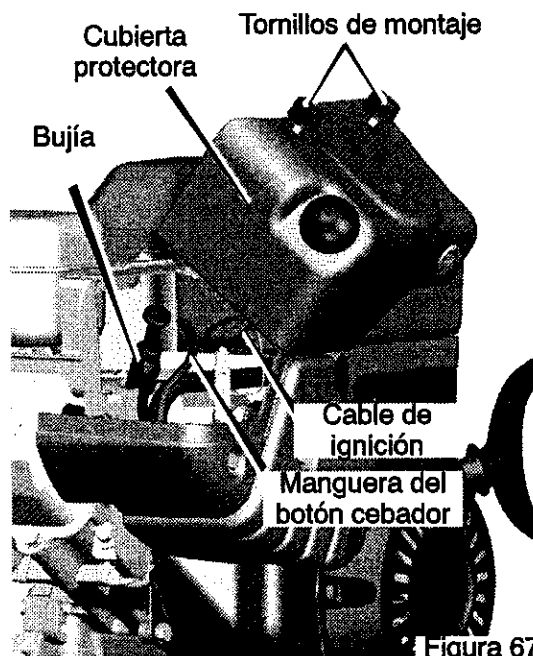
1. Ponga el quitanieves en una superficie nivelada.
2. Compruebe que ambos neumáticos tienen la misma presión de aire. La presión correcta es de 14 a 17 PSI. No exceda la presión máxima indicada en la cara lateral del neumático.
3. Afloje las tuercas y pernos de coche que sujetan la barra raspadora al alojamiento de la barrena.
4. Ajuste la barra raspadora a la posición correcta.
5. Apriete las tuercas y pernos de coche. . Asegure que la barra raspadora quede paralela con la acera o el área que se va a despejar.
6. Para que la barra raspadora dure más tiempo, quítela y móntela al revés. Si debe reemplazarla debido al desgaste, quite las tuercas y los pernos de coche e instale una barra raspadora nueva.

SERVICIO Y AJUSTES

CÓMO DESMONTAR LA CUBIERTA PROTECTORA

Para acceder a la bujía es necesario quitar la cubierta protectora:

1. Quite el estrangulador (vea la Figura 66).
2. Saque la llave de seguridad.
3. Quite los tornillos de montaje (Figura 67).
4. Retire cuidadosamente la cubierta protectora. Asegúrese de que la manguera del botón cebador y el cable de ignición permanezcan conectados.
5. Ahora se puede alcanzar la bujía.
6. Para instalar la cubierta protectora, asegúrese de que la manguera del botón cebador y el cable de ignición estén conectados.
7. Monte la cubierta protectora en el motor y fíjela con los tornillos de montaje (vea la Figura 67).
8. Conecte el estrangulador a la varilla del estrangulador en el carburador (Figura 68 y Figura 69). Asegúrese de que el estrangulador esté instalado correctamente. Si no lo está, el estrangulador no funcionará.
9. Instale la llave de seguridad.



SERVICIO Y AJUSTES

AJUSTE DE LAS CORREAS

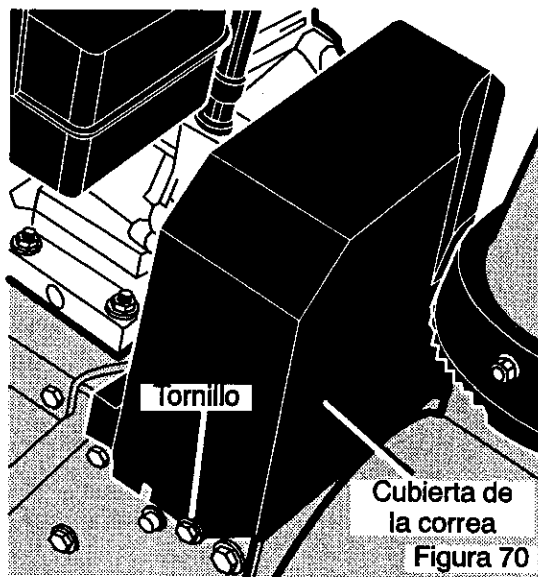
Correa de propulsión

La correa de propulsión tiene una presión de resorte constante y no requiere ningún ajuste. Si nota que empieza a resbalar, reemplácela. Consulte "Cómo reemplazar la correa" en la sección de Servicio y Ajustes.

Correa de propulsión de la barrena

Si el quitanieves no expulsa la nieve, compruebe el ajuste del cable. Si es correcto, compruebe que la correa de propulsión de la barrena esté en buen estado. Si está estropeada o suelta, reemplácela (consulte "Cómo desmontar la correa de propulsión de la barrena" en esta misma sección del manual).

1. Desconecte el cable de la bujía.
2. Quite el tornillo de la cubierta de la correa. Quite la cubierta de la correa (Figura 70).



3. Afloje la tuerca de la polea guía de la barrena y mueva esta última hacia la correa un octavo de pulgada aproximadamente (3 mm) (Figura 74).
4. Apriete la tuerca.
5. Pida a alguien que ponga el embrague de la barrena. Compruebe la tensión de la correa (al lado contrario de la polea guía). La correa de-

bería ceder media pulgada (12,5 mm) con presión moderada (Figura 71). Puede que tenga que mover la polea guía más de una vez para conseguir la tensión correcta.

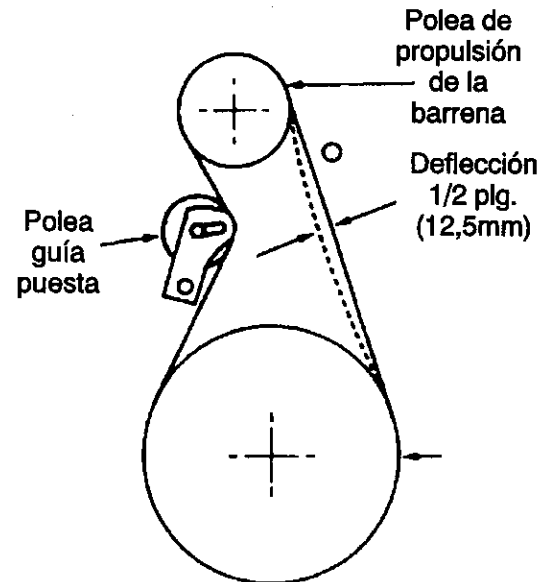


Figura 71

6. Vuelva a poner la cubierta de la correa.
7. Siempre que ajuste o reemplace las correas, también hará falta ajustar los cables. (Consulte "Cómo ajustar los cables" en esta misma sección del manual).
8. Conecte el cable de las bujías.

CÓMO REEMPLAZAR LAS CORREAS

Las correas de propulsión son especiales y se deben reemplazar con correas originales del fabricante que podrá encontrar en su tienda Sears más cercana.

Para completar algunos de estos procedimientos necesitará la ayuda de otra persona.

Cómo desmontar la correa de propulsión de la barrena

Si la correa de propulsión está estropeada, el quitanieves no expulsará la nieve. Reemplace la correa de la siguiente manera.

1. Desconecte el cable de la bujía.

SERVICIO Y AJUSTES

2. Afloje los **pernos** a cada lado del **panel inferior** (Figura 72).
3. Quite el **panel inferior**.

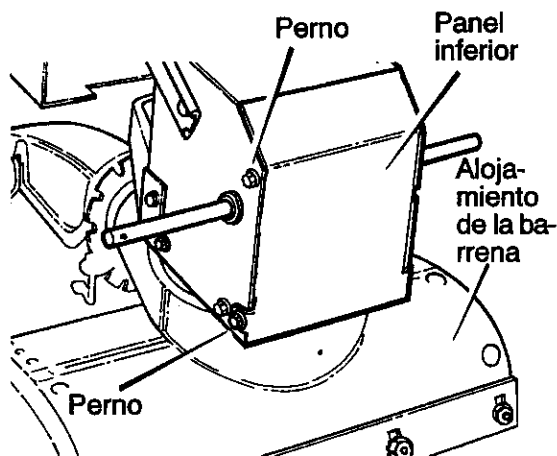


Figura 72

4. Quite el **tornillo de la cubierta de la correa**. Quite la **cubierta** (Figura 70).
5. Afloje la **guía de la correa**. Separe la **guía de la polea de propulsión de la barrena** (Figura 74).
6. Aleje la **polea tensora de la correa del propulsor de la barrena** y deslice la **correa del propulsor de la barrena** para sacarla de la **polea tensora**.
7. Saque la **correa del propulsor de la barrena** de la **polea del motor**. Para sacar la **correa del propulsor de la barrena**, tal vez haya que girar parcialmente la **polea del motor**.
8. Retire los cuatro **pernos superiores** que unen el **alojamiento de la barrena** y la **caja del motor**. Afloje los dos **pernos inferiores**. Ahora el **alojamiento de la barrena** y la **caja del motor** pueden separarse para retirar la correa (Figura 73).
9. Quite la antigua **correa del propulsor de la barrena** de la **polea del propulsor de la barrena**. Cambie

la **correa del propulsor de la barrena** por una correa de repuesto original de fábrica disponible en un centro de servicio autorizado (Figura 74).

10. Instale la nueva **correa del propulsor de la barrena** en la **polea del propulsor de la barrena**.

NOTA: Para montar el alojamiento de la barrena a la caja del motor, consiga que otra persona sujete la palanca de embrague de la barrena en la posición **ENGANCHADO**. Esto moverá el brazo y la polea tensora lo suficiente para permitir que la polea del propulsor de la barrena vuelva a su posición.

11. Monte el **alojamiento de barrena** a la **caja del motor** con los cuatro **pernos** que se retiraron en el paso 8. Apriete los dos **pernos inferiores**.
12. Instale la **correa del propulsor de la barrena** en la **polea del motor**.
13. Deslice la **correa del propulsor de la barrena** por debajo de la **polea tensora**.
14. Ajuste la **correa de propulsión de la barrena**. Consulte "Cómo ajustar la correa de propulsión de la barrena" en la sección de Servicio y Ajustes.
15. Ajuste la **guía de la correa**. Consulte "Cómo ajustar la guía de la correa" en la sección de Servicio y Ajustes.
16. Instale la **cubierta de la correa**. Apriete el **tornillo** (Figura 70).
17. Revise los cables. Consulte "Cómo revisar y ajustar los cables" en la sección de Servicio y Ajustes.
18. Instale el **panel inferior** (Figura 72).
19. Apriete los **pernos** a cada lado del **panel inferior**.
20. Conecte el cable de la bujía.

SERVICIO Y AJUSTES

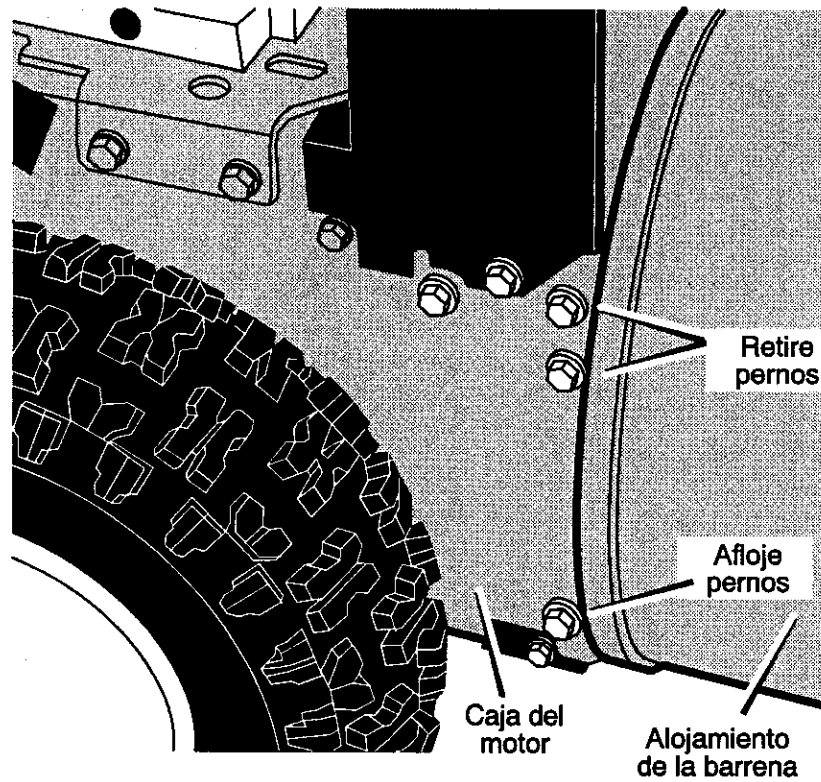


Figura 73

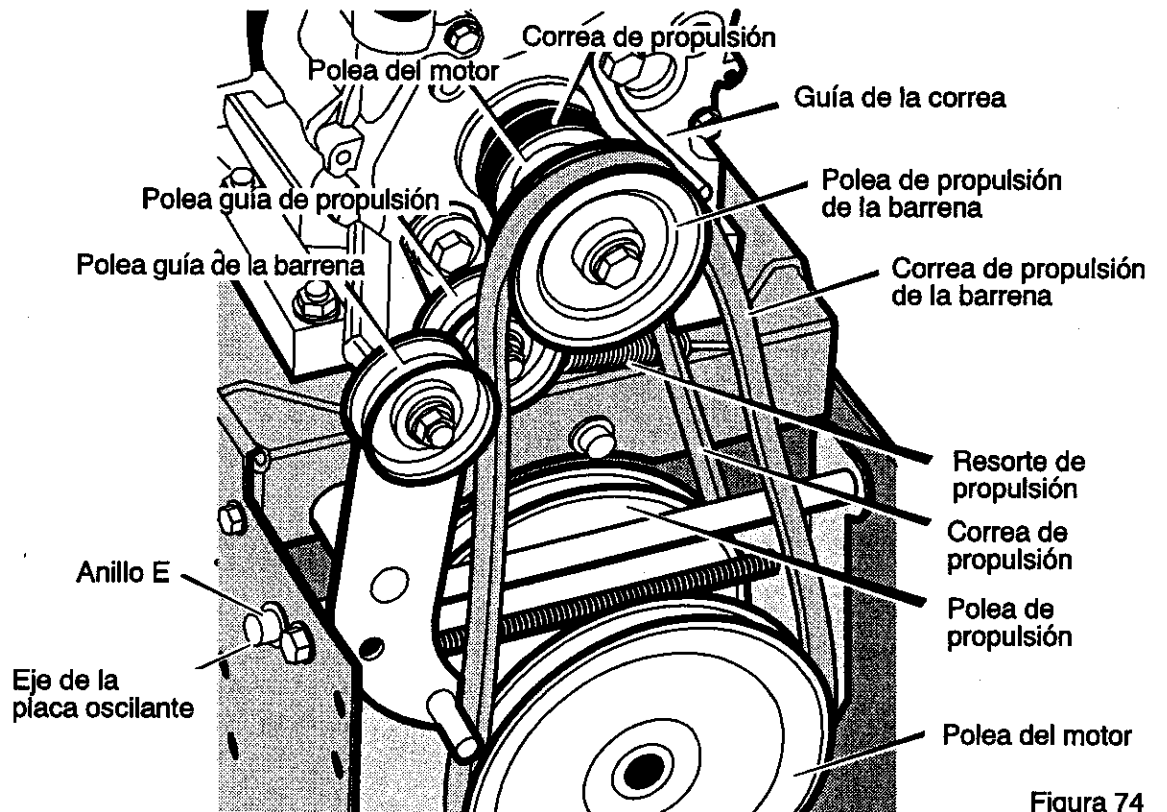


Figura 74

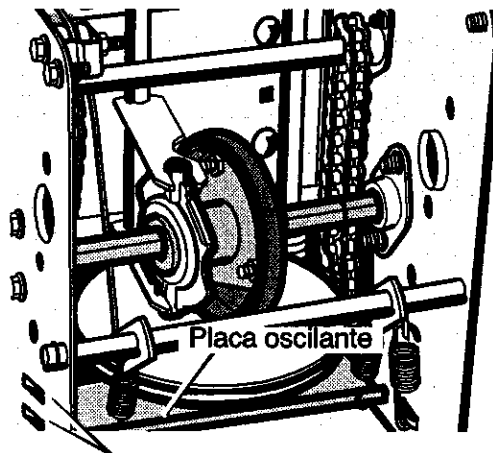
SERVICIO Y AJUSTES

Cómo desmontar la correa de propulsión

Si el quitanieves no se mueve hacia adelante, asegúrese de que la correa de propulsión no esté excesivamente desgastada o dañada. Si lo está, reemplácela de la siguiente manera.

1. Desconecte el cable de la bujía.
2. Quite la correa de propulsión de la barrena. Consulte "Cómo desmontar la correa de propulsión de la barrena" en la sección de Servicio y Ajustes.
3. Quite el **anillo E** de uno de los extremos del **eje de la placa oscilante**. Quite este **eje** para que la placa oscilante gire hacia adelante (Figura 74).
4. Quite el **resorte de propulsión**.
5. Quite la **correa de propulsión** vieja de la **polea de propulsión** y de la **polea del motor**. Instale una **correa de propulsión** original de fábrica disponible en un centro de servicio Sears.
6. Instale la nueva **correa de propulsión** en la **polea de propulsión** y en la **polea del motor**.
7. Asegúrese de que la **polea guía de propulsión** esté alineada con la **correa de propulsión**.
8. Conecte el **resorte de propulsión**.
9. Instale el **eje de la placa oscilante** y sujételo con el **anillo E**.
10. La parte inferior de la **placa oscilante** debe quedar entre las **marcas de alineamiento**. Asegúrese de que la **placa oscilante** esté bien

sujeta (Figura 75).



Marcas de alineamiento

Figura 75

NOTA. Si la transmisión no funciona una vez que haya substituido la correa de propulsión, asegúrese de que la placa oscilante se encuentre entre las dos marcas de alineamiento.

11. Instale y ajuste la **correa de propulsión de la barrena**. Consulte "Cómo desmontar la correa de propulsión de la barrena" en la sección de Servicio y Ajustes.
12. Ajuste la **guía de la correa**. Consulte "Cómo ajustar la guía de la correa" en la sección de Servicio y Ajustes.
13. Instale el **panel inferior** (Figura 72).
14. Apriete los **pernos** a ambos lados del **panel inferior**.
15. Instale la **cubierta de la correa**. Apriete el **tornillo** (Figura 70).
16. Revise el ajuste de los cables. Consulte "Cómo revisar y ajustar los cables" en la sección de Servicio y Ajustes.
17. Conecte el cable de la bujía.

AJUSTES DE LA CORREA GUÍA

1. Quite el cable de la bujía.
2. Pida a alguien que ponga el propulsor de la barrena.
3. Mida la distancia entre la guía de la correa y la correa. La distancia debe ser de 1/8 de pulgada (3,175 mm) para la guía. (Figura 76).

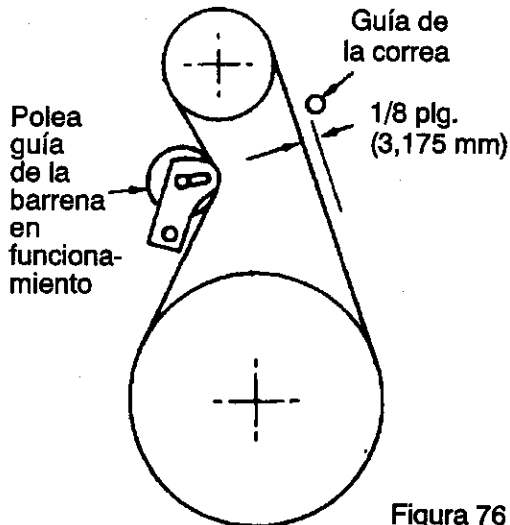


Figura 76

4. Si necesita hacer algún ajuste, afloje el perno de montaje de la guía de la correa. Ponga la guía en la posición correcta. Apriete el perno.
5. Vuelva a instalar la cubierta de la correa.
6. Vuelve a conectar el cable de la bujía.

CÓMO REVISAR Y AJUSTAR LOS CABLES

Los cables se ajustan en la fábrica y no debería ser necesario ajustarlos. Si se se dan de sí o están flojos, ajústelos. Siempre que cambie o ajuste las correas tendrá que ajustar los cables.

Para asegurarse de que estén bien ajustados, suelte el accesorio "Z" en la palanca de propulsión (Figura 77).

1. Mueva la palanca de propulsión todo lo que pueda hacia adelante (hasta que toque el tope de plástico). Sujete bien el cable, observe la posición del accesorio con respecto al agujero en la palanca de propulsión.

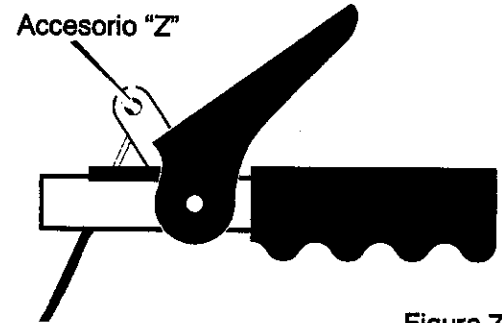


Figura 77

2. El centro del accesorio "Z" debe estar entre el centro y la parte superior del agujero en la palanca de propulsión. Ajuste el cable de propulsión de la barrena o el cable de propulsión por tracción según sea necesario, siguiendo las instrucciones a continuación.

Ajuste del cable de propulsión de la barrena

1. Deje el motor en marcha hasta que el tanque de combustible quede vacío y el motor se pare.
2. Levante el quitanieves con el extremo frontal del alojamiento de la barrena hacia abajo.
3. Meta el cable por el resorte hasta exponer la porción roscada del cable (Figura 78).

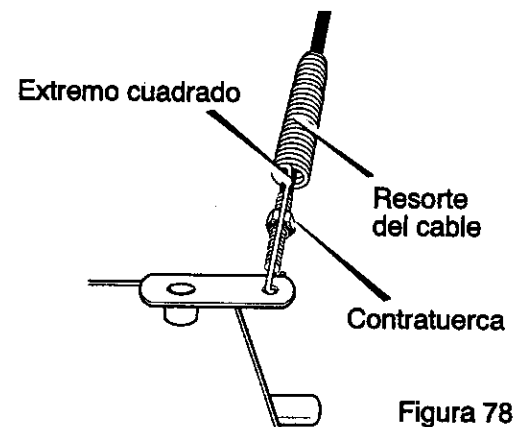


Figura 78

4. Sujete el extremo cuadrado de la parte roscada con unos alicates y ajuste la contratuerca hacia afuera o hacia adentro hasta conseguir el ajuste correcto. Vuelva a meter el cable por el resorte y conéctelo.

SERVICIO Y AJUSTES

AJUSTES DEL CABLE DE PROPULSIÓN

1. Deje el motor en marcha hasta que el tanque de combustible quede vacío y el motor se pare.
2. Levante el quitanieves con el extremo frontal del alojamiento de la barrena hacia abajo.
3. Afloje los **pernos** a cada lado del **panel inferior** (Figura 79).

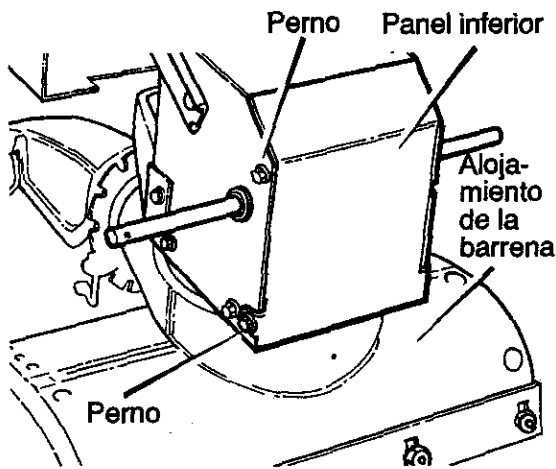


Figura 79

4. Quite el panel inferior.
5. Desconecte el accesorio "Z" de la palanca de propulsión (Figura 77).
6. Saque el manguito del cable del soporte de ajuste del cable (Figura 80).

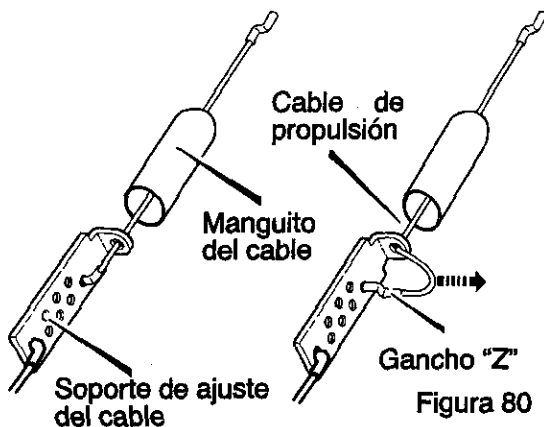
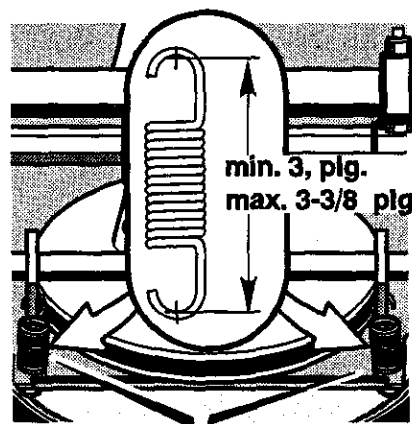


Figura 80

7. Meta la parte inferior del **cable de propulsión** por el **soporte de ajuste del cable** hasta que pueda sacar el **gancho "Z"**.
8. Saque el **gancho "Z"** del **soporte de ajuste del cable**. Mueva el **gancho "Z"** hacia abajo hasta el siguiente agujero de ajuste.
9. Jale el **cable de propulsión** por el **soporte de ajuste**.
10. Ponga el **manguito del cable** sobre el **soporte de ajuste del cable**.
11. Instale el **gancho "Z"** en la **palanca de propulsión** (Figura 77).
12. Para revisar el ajuste, baje la palanca de propulsión y compruebe la longitud de uno de los **resortes de propulsión**. Si el ajuste es el correcto, la longitud del **resorte de propulsión** es:
mín. 3 plg. (76 mm.)
máx. 3-3/8 plg (85 mm.)
(Figura 81).



Resorte de propulsión Figura 81

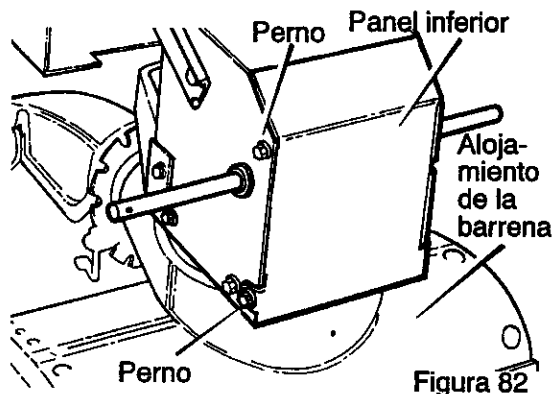
SERVICIO Y AJUSTES

CÓMO AJUSTAR O REEMPLAZAR LA RUEDA DE FRICCIÓN

Cómo revisar la rueda de fricción

Si el quitanieves no avanza, revise la correa de propulsión por tracción, el cable de propulsión o la rueda de fricción. Si la rueda de fricción está gastada o dañada, hay que cambiarla. Ver "Reemplazo de la rueda de fricción" en esta sección. Si la rueda de fricción no está gastada o dañada, revísela de la siguiente manera.

1. Deje el motor en marcha hasta que el tanque de combustible quede vacío y el motor se pare.
2. Ponga el quitanieves en posición vertical sobre la parte delantera del alojamiento de la barrena (Figura 82).
3. Desconecte el cable de la bujía.
4. Afloje los pernos a cada lado del panel inferior (Figura 82).
5. Quite el panel inferior.
6. Ponga la palanca de cambio de velocidades en la posición más lenta de velocidad de avance.

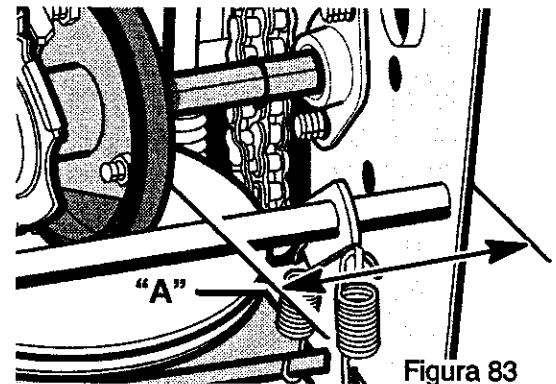


7. Fíjese en la posición de la rueda de fricción (consulte la Figura 83). La distancia correcta "A" desde el lado derecho de la rueda de fricción hasta la parte exterior de la caja del motor es la siguiente:

Tamaño llanta	Distancia "A"
---------------	---------------

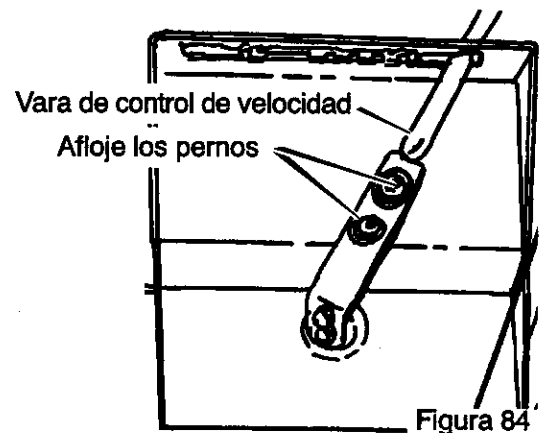
12 y 13 pulgs.	4-1/8"
16 pulgs.	4-5/16"

Si la rueda de fricción no está en la posición correcta, ajústela de acuerdo a las instrucciones siguientes.



Cómo ajustar la rueda de fricción

1. Coloque la palanca de cambio de velocidades en la posición más lenta de velocidad de avance.
2. Afloje los pernos en la vara de control de velocidad (Figura 84).
3. Mueva la rueda de fricción a la posición correcta (Figura 83).
4. Apriete los pernos que hay en la vara de control de velocidad (Figura 84).
5. Instale el panel inferior (Figura 82).
6. Apriete los pernos que hay a cada lado del panel inferior.



SERVICIO Y AJUSTES

Cómo reemplazar la rueda de fricción

Si la rueda de fricción está gastada o dañada, el quitanieves no avanza. La rueda de fricción se debe cambiar de la siguiente manera.

1. Deje el motor en marcha hasta que el tanque de combustible quede vacío y el motor se pare.
2. Ponga el quitanieves en posición vertical sobre la parte delantera del alojamiento de la barrena (4). (Figura 82).
3. Desconecte el cable de la bujía.
4. Quite los sujetadores que fijan la llanta derecha. Quite la llanta derecha del eje (Figura 85)
5. Afloje los pernos que haya a cada lado del panel inferior.
6. Quite el panel inferior.
7. Quite los sujetadores que fijan el engranaje de propulsión al eje (Figura 86).
8. Quite la llanta izquierda, el eje y el engranaje de propulsión.
9. Quite los cuatro pernos que retienen los cojinetes a cada lado del eje hexagonal (Figura 87).
10. Quite el eje hexagonal y los cojinetes.

NOTA: Fíjese especialmente en la posición de las arandelas en el eje hexagonal.

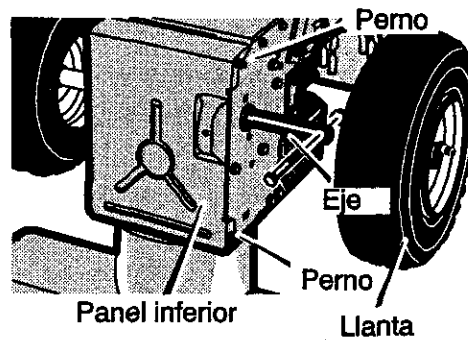
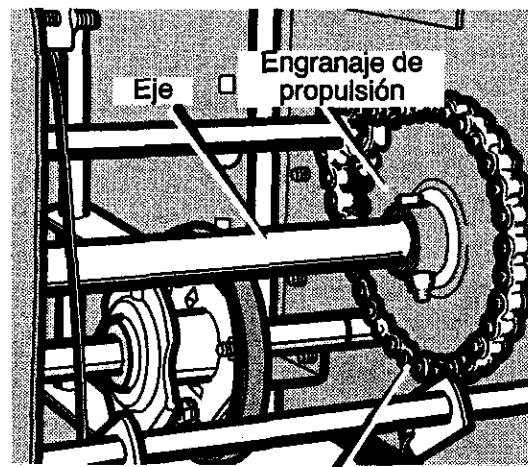


Figura 85



Cadena Figura 86

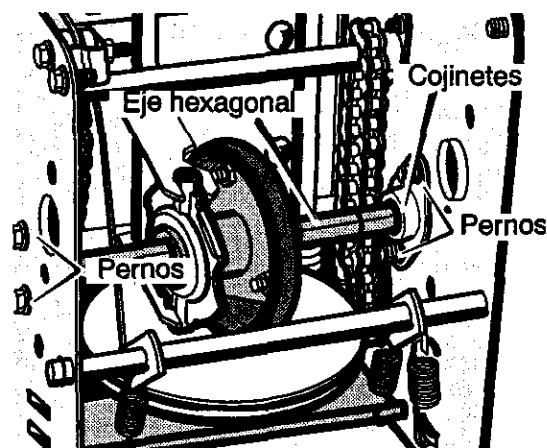


Figura 87

11. Quite los tres sujetadores que retienen la rueda de fricción en el cubo (Figura 88).

SERVICIO Y AJUSTES

12. Quite la **rueda de fricción del cubo**. Deslice la **rueda de fricción** fuera del **eje hexagonal**.
13. Instale la nueva **rueda de fricción** en el **cubo** con los **sujetadores** que quitó antes.
14. Instale el **eje hexagonal** y los **cojinetes** con los cuatro **pernos** que quitó antes (Figura 89).

Asegúrese de que haya instalado correctamente las arandelas en su posición original. Asimismo, compruebe que las dos arandelas estén correctamente alineadas con los brazos del impulsor.
15. Asegúrese de que el **eje hexagonal** gira libremente.
16. Instale la **llanta izquierda**, el **eje** y el **engranaje de propulsión** con los **sujetadores** que quitó antes. Instale la **cadena** en el **engranaje de propulsión** (Figura 86).
17. Revise el ajuste de la **rueda de fricción**. Consulte "Cómo ajustar la rueda de fricción" en esta sección.
18. Asegúrese de que la **rueda de fricción** y la **placa del propulsor de disco** no tienen ni **grasa** ni **aceite**.
19. Instale el **panel inferior** (Figura 85).
20. Apriete los **pernos** a cada lado del **panel inferior**.
21. Instale la **llanta derecha** en el **eje** con los **sujetadores** que quitó antes.
22. Conecte el **cable de la bujía**.

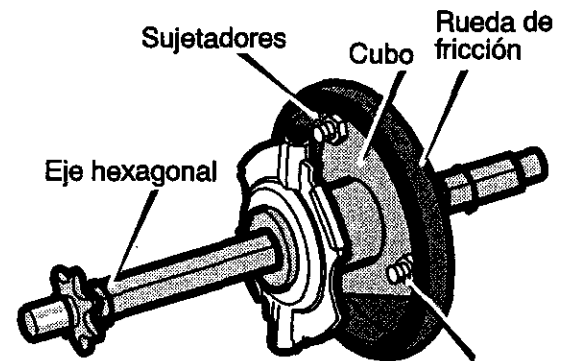


Figura 88

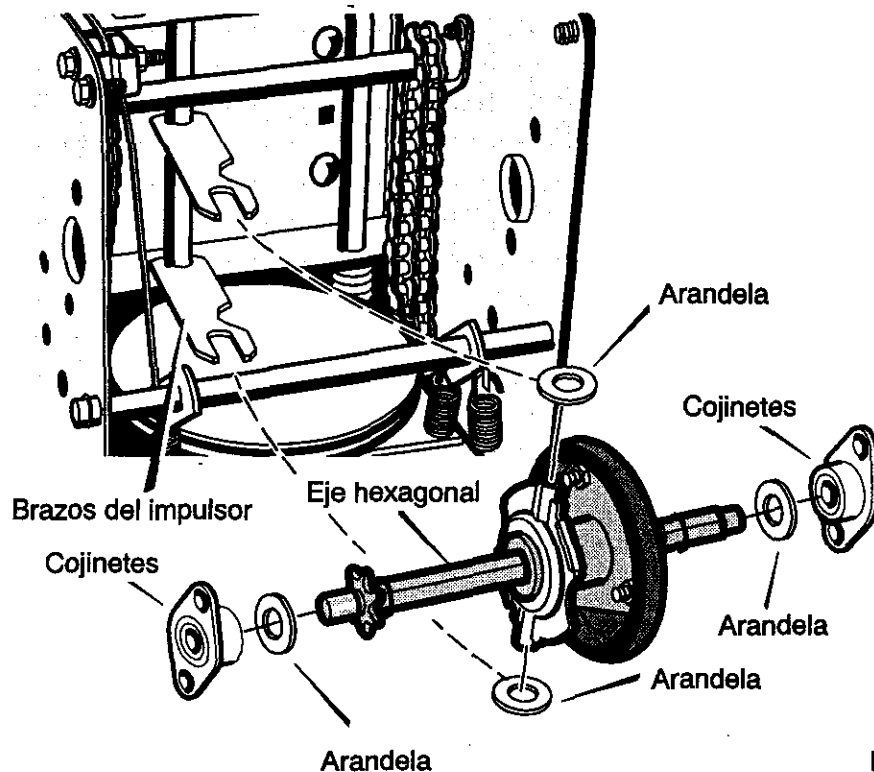


Figura 89

CÓMO REEMPLAZAR LOS PERNOS DE SEGURIDAD DE LA BARRENA

Las barrenas están sujetas al eje de la barrena con pernos de seguridad especiales. Estos pernos están diseñados para romperse y proteger la máquina en caso de que un objeto se atasque en el alojamiento de la barrena. No use pernos duros pues perderá la protección de los pernos de seguridad.



ADVERTENCIA: Por razones de seguridad y para proteger la máquina, use solamente pernos de seguridad originales.

Para cambiar un perno de seguridad roto, proceda de la siguiente manera. En la bolsa

de partes encontrará pernos de seguridad adicionales.

1. Parar el motor. Desenganche todos los controles.
2. Desconecte el cable de la bujía. Asegúrese de que todas las piezas móviles se hayan detenido.
3. Alinee el agujero de la barrena con el agujero del eje de la barrena. Instale el nuevo pasador de seguridad y espaciador. Figura 90.
4. Conecte el cable de la bujía.

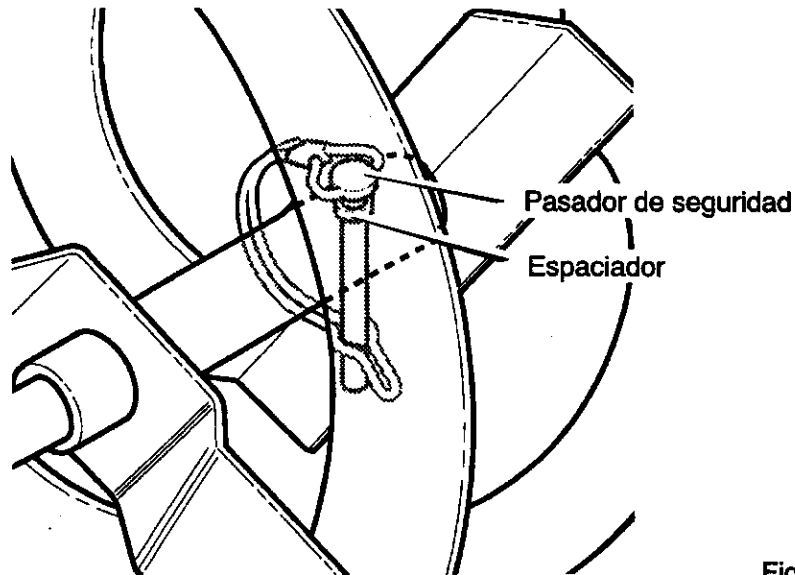


Figura 90

ALMACENAMIENTO



ADVERTENCIA: Nunca guarde su quitanieves con gasolina en el tanque de combustible en ambientes interiores o en un área cerrada y mal ventilada. Si queda gasolina en el tanque, los vapores podrían alcanzar alguna llama expuesta, chispa o llama piloto de una caldera, calentador de agua, secadora de ropa, cigarrillo, etc.

Para prevenir el daño (si el quitanieves no se usa por más 30 días) prepárelo como se indica a continuación.

QUITANIEVES

1. Limpie todo el quitanieves.
2. Lubrique todos los puntos de lubricación. Consulte la sección de **Mantenimiento**.
3. Asegúrese de que todas las tuercas, pernos y tornillos estén bien apretados. Inspeccione todas las piezas móviles visibles para detectar daños, roturas y desgaste. Haga los reemplazos necesarios.
4. Retoque todas las superficies oxidadas o que tengan la pintura saltada; líjelas suavemente antes de aplicar la pintura.
5. Cubra las piezas de metal expuesto del soplador del alojamiento de la barrena y del impulsor, con un anticorrosivo, tal como un lubricante en aerosol.

NOTA: Una revisión o afinamiento anual hecho en un Centro de Servicio Sears es una buena manera de asegurar que su quitanieves le brinde el máximo rendimiento la siguiente temporada.

MOTOR

Deberá sacar la gasolina del tanque o prepararla para prevenir la formación de depósitos de goma en el tanque, filtro, manguera y carburador durante el almacenamiento. Además, durante el almacenamiento, la gasolina mezclada con alcohol que contiene etanol o metanol (llamada a veces gasohol) atrae agua, y ésta actúa sobre la gasolina formando ácidos que dañan el motor.

1. Deje el motor en marcha hasta que el tanque quede vacío y el motor se pare.
2. Si no quiere sacar la gasolina, use el estabilizador de combustible provisto con la unidad, o compre estabilizador de combustible Craftsman Núm. 3550. Añada el estabilizador de combustible a cualquier cantidad de gasolina que permanezca en el tanque para minimizar los depósitos de goma y ácido. Si el tanque está casi vacío, mezcle el estabilizador con gasolina fresca en un recipiente separado y añada un poco de esta mezcla al tanque.
3. Siempre siga las instrucciones del envase del estabilizador. Luego de añadir el estabilizador, encienda el motor y déjelo correr por 10 minutos por lo menos para permitir que la mezcla alcance el carburador.
4. Cambie el aceite del motor
5. Saque la bujía y vierta aproximadamente 15 ml (1/2 onza) de aceite para motor en el cilindro. Vuelva a colocar la bujía y vire el motor lentamente para distribuir el aceite.
6. Almacene en un área limpia y seca, pero NO cerca de una estufa, caldera o calentador de agua que tenga una llama piloto ni algún otro dispositivo que pueda generar chispas.

OTRAS INDICACIONES

1. Si fuera posible, guarde su quitanieves dentro de un recinto, cubriéndolo para protegerlo del polvo y la suciedad.
2. Si debe guardar el quitanieves afuera, colóquelo sobre bloques para levantarlo del suelo.
3. Cubra el quitanieves con una cubierta protectora apropiada que no retenga humedad. No use plástico.

IMPORTANTE: Nunca cubra el quitanieves mientras las áreas del motor y del escape estén todavía calientes.

TABLA DE LOCALIZACIÓN DE AVERÍAS

PROBLEMA	CAUSA	CORRECCION
Dificultad de arranque	Bujía defectuosa.	Reemplace la bujía defectuosa.
	Agua o suciedad en el sistema de combustible.	Saque el combustible del tanque. Añada combustible fresco.
El motor funciona erráticamente	Línea de combustible bloqueada, falta de combustible o mezcla de combustible vieja.	Limpie la línea de combustible; revise la existencia de combustible en el tanque, agregue gasolina fresca si es necesario.
El motor se para	Unidad funcionando con estrangulador activado.	Coloque la palanca de estrangulador en la posición DESACTIVADO.
El motor funciona erráticamente; pérdida de potencia	Agua o suciedad en el sistema de combustible.	Saque el combustible del tanque. Añada combustible fresco.
Vibración excesiva	Piezas sueltas; propulsor dañado.	Pare el motor inmediatamente. Saque la llave de encendido. Apriete todos los sujetadores y realice todas las reparaciones necesarias. Si la vibración continúa, lleva la unidad a su Centro de Servicio Sears.
La unidad no se puede propulsar a sí misma	Correa de propulsión por tracción floja o dañada.	Reemplace la correa de propulsión por tracción.
	Ajuste incorrecto del cable de propulsión por tracción.	Ajuste cable de propulsión por tracción.
	Rueda de fricción gastada o dañada.	Reemplace la rueda de fricción.
La unidad no descarga la nieve	Correa de propulsión de la barrena suelta o dañada.	Reemplace la correa de propulsión de la barrena.
	El cable de control de la barrena no está ajustado correctamente.	Ajuste el cable de control de la barrena.
	Perno de seguridad roto.	Reemplace el perno de seguridad.
	Canal de descarga obstruido	Pare el motor inmediatamente y desconecte el cable de la bujía. Limpie el canal de descarga y la parte de adentro del alojamiento de la barrena.
	Objeto extraño atascado en la barrena.	Pare el motor inmediatamente y desconecte el cable de la bujía. Retire el objeto atascado en la barrena.

(Esta página es aplicable únicamente en Estados Unidos de América y Canadá.)

**Sears, Roebuck and Co., U.S.A. (Sears), Junta de Recursos Ambientales de California (CARB) y Agencia de Protección Ambiental de los Estados Unidos (U.S. EPA)
Declaración de la Garantía del Sistema de Control de Emisiones (Derechos y Obligaciones del Propietario de la Garantía de Defectos)**

LA COBERTURA DE LA GARANTÍA DEL CONTROL DE EMISIONES ES APLICABLE A LOS MOTORES CERTIFICADOS QUE HAYAN SIDO COMPRADOS EN CALIFORNIA A PARTIR DE 1995 Y DESPUÉS DE ESTA FECHA, LOS CUALES SEAN USADOS EN CALIFORNIA, Y

PARA LOS MOTORES CERTIFICADOS MODELOS 1997 EN ADELANTE QUE SEAN COMPRADOS Y USADOS EN OTRA PARTE DE LOS ESTADOS UNIDOS (Y A PARTIR DE ENERO 1 DE 2001 EN CANADA).

Declaración de la Garantía de Defectos del Sistema de Control de Emisiones de California, Estados Unidos y Canadá

La Junta de Recursos Ambientales (CARB), La Agencia de Protección Ambiental de los Estados Unidos U.S. EPA y Sears se complacen en explicarles la Garantía del Sistema de Control de Emisiones de su motor pequeño modelo 2000 en adelante para uso en terrenos sin pavimento (SORE). En California, los nuevos motores pequeños para uso en terrenos sin pavimento deben ser diseñados, fabricados y equipados para cumplir los rigurosos estándares anti-smog del Estado. En cualquier otra parte de los Estados Unidos, los nuevos motores de encendido por chispa para uso en carreteras modelos 1997 y posteriores, deben cumplir estándares similares a los establecidos por la Agencia de Protección Ambiental de los Estados Unidos (U.S.

EPA). Sears debe garantizar el sistema de control de emisiones en su motor por los períodos de tiempo listados abajo, teniendo en cuenta que no haya habido abuso, negligencia o mantenimiento no apropiado en su motor pequeño para uso en terrenos sin pavimento.

Su sistema de control de emisiones incluye partes tales como el carburador, el filtro de aire, el sistema de encendido, el mofle y el convertidor catalítico. También puede incluir conectores y otros conjuntos relacionados con el sistema de emisiones.

Siempre que exista una condición de garantía, Sears reparará su motor pequeño para uso en terrenos sin pavimento sin ningún costo para usted incluyendo el diagnóstico, las partes y la mano de obra.

Cobertura de la Garantía de Defectos del Sistema de Control de Emisiones Sears

Los motores pequeños para uso en terrenos sin pavimento se garantizan relativo a los defectos de las partes del sistema de control de emisiones durante un período de dos años, su-

jeto a las provisiones establecidas abajo. Si alguna de las partes bajo cobertura en su motor se encuentra defectuosa, la parte será reparada o reemplazada por Sears.

Responsabilidades del Propietario de la Garantía

Como propietario de un motor pequeño para uso en terrenos sin pavimento, usted es responsable de que se lleve a cabo el mantenimiento requerido el cual se indica en sus Instrucciones de Mantenimiento y Operación. Sears le recomienda guardar todos sus recibos que cubran el mantenimiento en su motor pequeño para uso en terrenos sin pavimento, pero Sears no solo puede negar la garantía por la falta de recibos sino por su omisión al asegurar la realización de todo el mantenimiento programado.

No obstante, como propietario de un motor pequeño para uso en terrenos sin pavimento, usted tiene que darse cuenta que Sears puede negarle la cobertura de la garantía si su motor pequeño para uso en terrenos sin pavimento o una de sus partes ha fallado debido a abuso,

negligencia, mantenimiento incorrecto o modificaciones no aprobadas

Usted es responsable de presentar su motor pequeño para uso en terrenos sin pavimento a un Distribuidor de Servicio Autorizado Sears tan pronto se presente el problema. Las reparaciones bajo garantía indisputables deben completarse en un período de tiempo razonable que no se exceda de 30 días.

Si usted tiene algunas preguntas relacionadas con los derechos y responsabilidades de la garantía, debe contactar a un Representante de Servicio Sears marcando el teléfono: 1-414-259-5262.

La garantía de emisiones es una garantía de defectos. Los defectos son juzgados en el desempeño normal de un motor. La garantía no está relacionada con una prueba de emisiones en uso.

Provisiones de la Garantía de Defectos del Sistema de Control de Emisiones Sears

Las siguientes son provisiones específicas relativas a la Cobertura de Garantía de Defectos del Sistema de Control de Emisiones. Es una adición de la garantía del motor Sears para los motores no-regulados encontrados en las Instrucciones de Mantenimiento y Operación.

1. Partes Garantizadas

La cobertura bajo esta garantía se extiende únicamente a las partes listadas abajo (partes de los sistemas de control de emisiones) hasta la extensión que estas partes fueron presentadas en el motor comprado.

- a. Sistema de Medición de Combustible
 - Sistema de Enriquecimiento de Arranque en Frío (estrangulación suave)
 - Carburador y Partes Internas
 - Bomba de Combustible
- b. Sistema de Inducción de Aire
 - Filtro de Aire
 - Múltiple de Admisión
- c. Sistema de Encendido
 - Bujía(s)
 - Sistema de Encendido con Magneto
- d. Sistema Catalizador
 - Convertidor Catalítico
 - Múltiple de Escape
 - Sistema de Inyección de Aire o Válvula de Pulsación
- e. Items Varios Usados en los Sistemas Anteriores
 - Vacío, Temperatura, Posición, Válvulas Sensitivas de Tiempo y Suiches
 - Conectores y Conjuntos

2. Duración de la Cobertura

Sears garantiza al propietario inicial y a cada comprador subsecuente que las Partes Garantizadas estarán libres de defectos en materiales y mano de obra la cual haya ocasionado fallas de las Partes Garantizadas por un período de dos años a partir de la fecha en que es entregado el motor a un comprador detallista.

3. Sin Costo

La reparación o cambio de cualquier Parte Garantizada se llevará a cabo sin costo alguno para el propietario, incluyendo la labor

de diagnóstico la cual conduce a la determinación de que esa Parte Garantizada es defectuosa, si el trabajo de diagnóstico es realizado en un Centro de Servicio Autorizado Sears. Para servicio de garantía de emisiones contacte su Centro de Servicio Autorizado Sears más cercano listado en las "Páginas Amarillas" bajo "Motores, Gasolina", "Motores a Gasolina", "Máquinas Cortacésped" o en una categoría similar.

4. Reclamos y Exclusiones de la Cobertura

Los reclamos de la garantía se completarán de acuerdo con las provisiones de la Póliza de Garantía del Motor Sears. La cobertura de la garantía estará excluida para fallas de las Partes Garantizadas las cuales no sean partes originales Sears o por abuso, negligencia o mantenimiento incorrecto según se establece en la Póliza de Garantía del Motor Sears. Sears no se hace responsable de cubrir fallas de Partes Garantizadas ocasionadas por el uso de adición de partes, partes no-originales o partes modificadas.

5. Mantenimiento

Cualquier parte garantizada la cual no esté programada para cambio al realizar el mantenimiento requerido o la cual esté programada únicamente para una inspección regular por el efecto de "repare o cambie si es necesario" se garantizará por defectos durante el período de la garantía. Cualquier Parte Garantizada la cual esté programada para cambio por el mantenimiento requerido se garantizará únicamente por defectos durante el período de tiempo hasta el primer cambio programado para esa parte. Cualquier repuesto que sea equivalente en desempeño y durabilidad puede ser usado al llevar a cabo toda tarea de mantenimiento o reparación. El propietario es responsable de la realización de todo el mantenimiento requerido, según se define en las Instrucciones de Mantenimiento y Operación Sears.

6. Cobertura Consecuente

La cobertura aquí establecida se extenderá hasta la falla de cualquiera de los componentes del motor ocasionada por la falla de cualquier Parte Garantizada que aún se encuentre bajo garantía.

Busque el Período de Durabilidad de Emisiones y la Información del Índice de Aire Pertinentes en su Etiqueta de Emisiones del Motor

Los motores que son certificados para cumplir con las Normas de Emisiones Etapa 2 de la Junta de Recursos Ambientales de California (CARB) deben mostrar la información referente al Período de Durabilidad de Emisiones y al Índice de Aire. Sears, Roebuck and Co., U.S.A. hace que esta información esté disponible para el consumidor en nuestras etiquetas de emisiones. La etiqueta del motor indicará la información de certificación.

El **Período de Durabilidad de Emisiones** describe el número de horas del tiempo real de operación para el cuál está certificado el motor por cumplir con las emisiones, asumiendo un mantenimiento apropiado de acuerdo con las Instrucciones de Mantenimiento y Operación. Se utilizan las siguientes categorías:

Moderado: El motor es certificado para cumplir con las emisiones durante 125 horas del tiempo real de operación del motor.

Intermedio: El motor es certificado para cumplir con las emisiones durante 250 horas del tiempo real de operación del motor.

Prolongado: El motor es certificado para cumplir con las emisiones durante 500 horas del tiempo real de operación del motor.

Por ejemplo, una máquina cortacésped de arrastrar típica es usada de 20 a 25 horas por año. Por lo tanto, el **Período de Durabilidad de Emisiones** de un motor con una clasificación **Intermedia** se igualaría de 10 a 12 años.

El **Índice de Aire** es un número calculado que describe el nivel relativo de emisiones para una familia específica de motores. Mientras más bajo sea el **Índice de Aire**, más limpio será el motor. Esta información es mostrada en forma gráfica en la etiqueta de emisiones.

Después de Julio 1, 2000, Busque el Período de Conformidad de Emisiones en la Etiqueta de Conformidad de Emisiones del Motor

Después de Julio 1, 2000 ciertos motores Sears, Roebuck and Co., U.S.A. estarán certificados por cumplir con las normas de emisiones Fase 2 de la Agencia de Protección Ambiental de los Estados Unidos (USEPA). Para los motores certificados Fase 2, el Período de Conformidad de Emisiones al cual se refiere la Etiqueta de Conformidad de Emisiones indica el número de horas de operación para las cuales el motor ha demostrado que cumple con los requerimientos Federales de emisiones. Para motores con un desplazamiento inferior a 225 cc, Categoría C = 125 horas, B = 250 horas y A = 500 horas. Para motores con un desplazamiento de 225 cc o superior, Categoría C = 250 horas, B = 500 horas y A = 1000 horas.

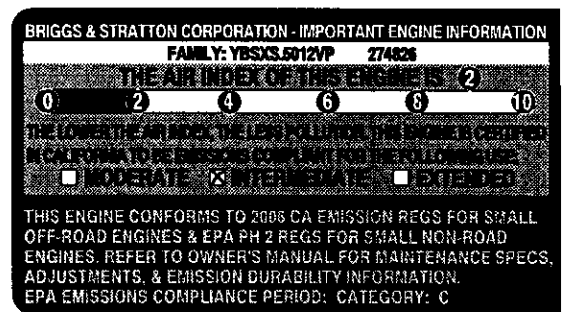
El desplazamiento de los motores Modelos Serie 90000 es 148 cc.

El desplazamiento de los motores Modelos Serie 120000 es 206 cc.

El desplazamiento de los motores Modelos Serie 200000 es 305 cc.

El desplazamiento de los motores Modelos Serie 210000 es 342 cc.

Esta es una representación genérica de una etiqueta de emisiones típicamente encontrada en un motor certificado.



Get it fixed, at your home or ours!

Your Home

For repair – in your home – of all major brand appliances, lawn and garden equipment, or heating and cooling systems, **no matter who made it, no matter who sold it!**

For the replacement parts, accessories and owner's manuals that you need to do-it-yourself.

For Sears professional installation of home appliances and items like garage door openers and water heaters.

1-800-4-MY-HOME[®] Anytime, day or night
(1-800-469-4663) (U.S.A. and Canada)
www.sears.com www.sears.ca

Our Home

For repair of carry-in products like vacuums, lawn equipment, and electronics, call or go on-line for the nearest **Sears Parts and Repair Center.**

1-800-488-1222 Anytime, day or night (U.S.A. only)
www.sears.com

To purchase a protection agreement (U.S.A.) or maintenance agreement (Canada) on a product serviced by Sears:

1-800-827-6655 (U.S.A.) **1-800-361-6665** (Canada)

Para pedir servicio de reparación a domicilio, y para ordenar piezas:

1-888-SU-HOGARSM
(1-888-784-6427)

Au Canada pour service en français:

1-800-LE-FOYER^{MC}
(1-800-533-6937)
www.sears.ca



02410

© Sears, Roebuck and Co.

® Registered Trademark / TM Trademark / SM Service Mark of Sears, Roebuck and Co.

® Marca Registrada / TM Marca de Fábrica / SM Marca de Servicio de Sears, Roebuck and Co.

^{MC} Marque de commerce / ^{MD} Marque déposée de Sears, Roebuck and Co.

Free Manuals Download Website

<http://myh66.com>

<http://usermanuals.us>

<http://www.somanuals.com>

<http://www.4manuals.cc>

<http://www.manual-lib.com>

<http://www.404manual.com>

<http://www.luxmanual.com>

<http://aubethermostatmanual.com>

Golf course search by state

<http://golfingnear.com>

Email search by domain

<http://emailbydomain.com>

Auto manuals search

<http://auto.somanuals.com>

TV manuals search

<http://tv.somanuals.com>