

SEARS

*owner's
manual*

Models

**C950-52474-7
4 H.P. 21 Inch**

**C950-52475-7
5 H.P. 23 Inch**

**C950-52677-7
8 H.P. 25 Inch**

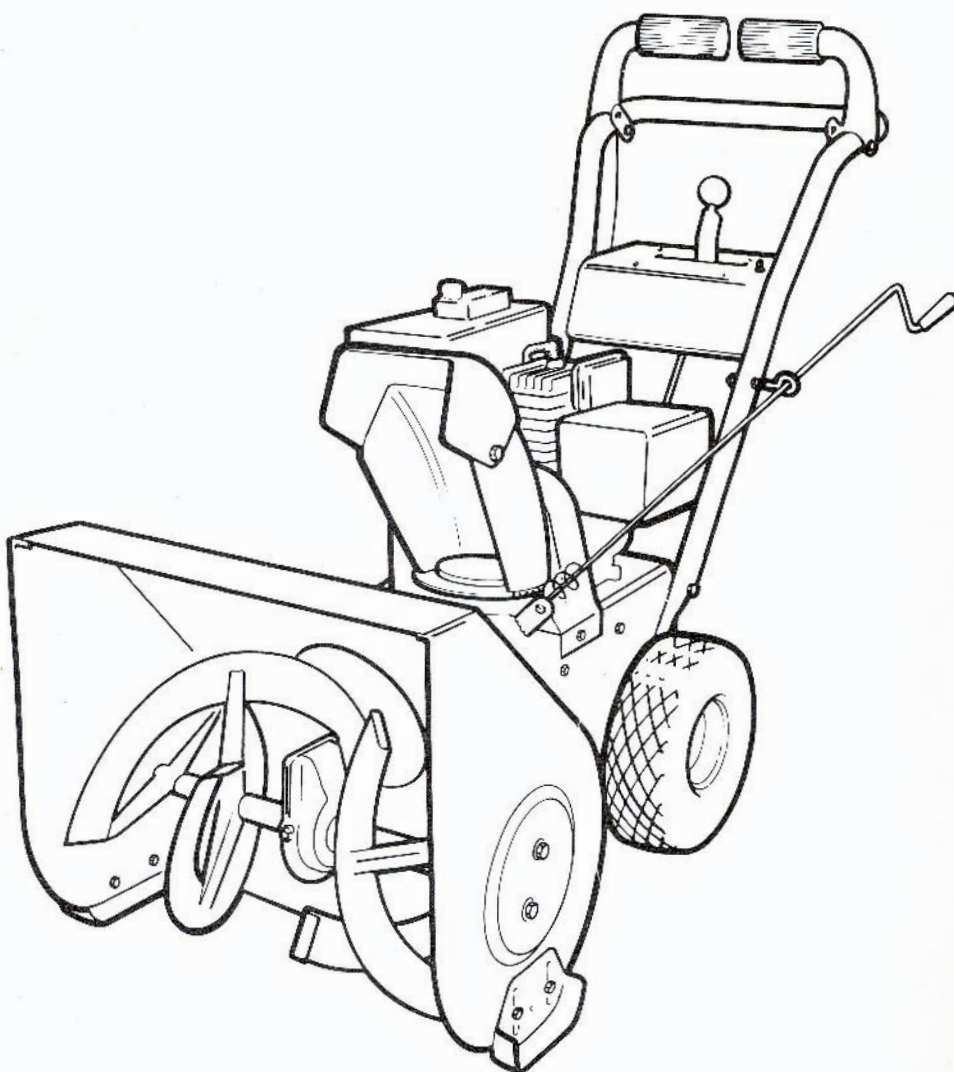
- Assembly
- Operating Instructions
- Replacement Parts
- Warranty

CAUTION:
You must read and understand this owner's manual before operating unit.

Serial No. _____

SEARS CRAFTSMAN®

DUAL STAGE SNOWBLOWER



SEARS CANADA INC., TORONTO, ONTARIO M5B 2B8

⚠ DANGER ⚠

Gasoline is flammable and caution must be used when handling or storing it. Do not fill fuel tank while snowblower is running, hot, or when snowblower is in an enclosed area. Keep away from open flame, electrical spark, and **DO NOT SMOKE** while filling the fuel tank. Never fill fuel tank completely; but fill the tank to within 1/4-1/2 inch from top to provide space for expansion of fuel. Always fill fuel tank outdoors and use a funnel or spout to prevent spilling. Make sure to wipe up any spilled fuel before starting the engine.

Store gasoline in a clean, approved container, and keep the cap in place on the container. Keep gasoline in a cool well ventilated place; never in the house. Never buy more than a 30 day supply of gasoline to assure volatility. Gasoline is intended to be used as a fuel for internal combustion engines; therefore, do not use gasoline for any other purpose. Since many children like the smell of gasoline, keep it out of their reach because the fumes are dangerous to inhale, as well as being explosive.

5. Check to make sure that spark plug is tightened securely into engine and spark plug wire is attached to spark plug. If torque wrench is available, torque plug to 18-23 ft-lbs.

To Start Engine

Be sure that engine has sufficient oil.

The snowblower engine is equipped with a recoil starter. The speed of this engine is controlled by the throttle control lever (Figure 10). Before starting engine, be certain that you have read and followed all instructions on the preceding pages.

Cold Engine Start (Recoil Starter)

(See figure 10 on page 7).

(Engine has not been run recently.)

1. Be sure auger drive clutch lever and traction drive clutch lever are in the disengaged position, **"RELEASED"**
2. Move throttle control (UP) to **"FAST"** position. Insert key into ignition slot. Be sure it snaps into place (Figure 10). **Do not turn key.**
3. Rotate choke knob to **"FULL"** choke position. **NOTE:** Do not choke a warm engine. (See **Warm Engine Start.**)
4. Push primer button (Figure 10) 2 times. **NOTE:** Do not prime a warm engine. (See **warm Engine Start.**)
5. Pull starter handle (Figure 10) rapidly. **NOTE:** Do not allow handle to snap back, but allow it to rewind slowly while keeping a firm hold on the starter handle.
6. As engine warms up and begins to operate evenly, rotate choke knob slowly to OFF position. If engine falters, return to 1/2 choke until it runs smoothly, then move to OFF choke position. **NOTE:** Allow the

engine to warm up for a few minutes as the engine will not develop full power until it reaches operating temperature.

7. Run engine at or near top speed.
8. To stop engine, move throttle control lever to stop position and remove key. **Do not turn key.**

Warm Engine Start (Recoil Starter)

(Engine still warm from recent running.)

1. Be sure auger drive clutch lever and traction drive clutch lever are in the disengaged position, **"RELEASED"**
2. Move throttle control (UP) to **"FAST"** position. Insert key into ignition slot. Be sure it snaps into place. (Figure 10). **Do not turn key.**
3. Rotate choke knob to **"OFF"** position. **Do not use primer button.**
4. Pull starter handle (Figure 10) rapidly. **NOTE:** Do not allow handle to snap back, but allow it to rewind slowly while keeping a firm hold on the starter handle.

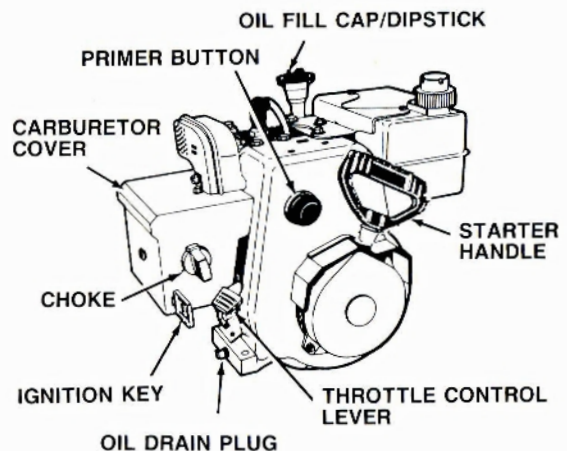


FIGURE 10

5. If engine fails to start after a reasonable number of starting attempts rotate choke knob to **"FULL"** position and repeat instruction number 4. When engine starts, rotate choke knob gradually to **"OFF"** position.
6. Run engine at or near top speed.
7. To stop engine, move throttle control lever to stop position and remove key. **Do not turn key.**

IMPORTANT: To help prevent possible freeze-up of rewind starter and engine controls, proceed as follows after each snow removal job.

1. **With engine running,** pull starter rope hard with a continuous full arm stroke three or four times. Pulling of starter rope will produce a loud clattering sound. This is not harmful to the engine or starter.

2. With engine not running wipe all snow and moisture from carburetor cover (Figure 10) in area of control levers. Also move control levers backward and forward several times.

IMPORTANT: After each use of the snowblower, stop the engine, remove the ignition key, remove all accumulated snow from the snowblower and wipe clean. Store the snowblower in a protected area.

Never cover snowblower while engine and exhaust area are still warm.

DO NOT LOSE IGNITION KEY. KEEP IT IN A SAFE PLACE. ENGINE WILL NOT START WITHOUT IGNITION KEY.

USE OF ELECTRIC STARTER –

On models so equipped

WARNING: THIS STARTER IS EQUIPPED WITH A THREE-WIRE POWER CORD AND PLUG AND IS DESIGNED TO OPERATE ON 120 VOLT AC HOUSEHOLD CURRENT. IT MUST BE PROPERLY GROUNDED AT ALL TIMES TO AVOID THE POSSIBILITY OF ELECTRIC SHOCK WHICH MAY BE INJURIOUS TO THE OPERATOR. FOLLOW ALL INSTRUCTIONS CAREFULLY AS SET FORTH BELOW. DETERMINE THAT YOUR HOUSE WIRING IS A THREE-WIRE GROUNDED SYSTEM. ASK A LICENSED ELECTRICIAN IF YOU ARE NOT SURE. IF YOUR HOUSE WIRING SYSTEM IS NOT A THREE-WIRE GROUNDED SYSTEM, DO NOT USE THIS ELECTRIC STARTER UNDER ANY CONDITION. IF YOUR SYSTEM IS GROUNDED AND A THREE-HOLE RECEPTACLE IS NOT AVAILABLE AT THE POINT YOUR STARTER WILL NORMALLY BE USED, ONE SHOULD BE INSTALLED BY A LICENSED ELECTRICIAN.

WARNING: WHEN CONNECTING 120 VOLT "POWER CORD", ALWAYS CONNECT CORD TO "SWITCH BOX" ON ENGINE FIRST, AND THEN PLUG THE OTHER END INTO THREE-HOLE GROUNDED RECEPTACLE.

WARNING: WHEN DISCONNECTING "POWER CORD", ALWAYS UNPLUG THE END IN THE THREE-HOLE GROUNDED RECEPTACLE FIRST.

Cold Engine Start (Electric Starter)

(See figures 11 and 11A on page 8)

(Engine has not been run recently.)

NOTE: DO NOT USE PRE-STARTING PRIMER WHEN USING 120 VOLT ELECTRIC STARTER.

1. Be sure auger drive clutch lever and traction drive clutch lever are in the disengaged position, "RELEASED".

2. Move Throttle Control (UP) to "Fast" position. Insert key into ignition slot. Be sure it snaps into place. (Figure 11). **Do not turn key.**
3. Rotate CHOKE knob to "OFF" (Figure 11).
4. Connect POWER CORD to SWITCHBOX. (Figure 11A)

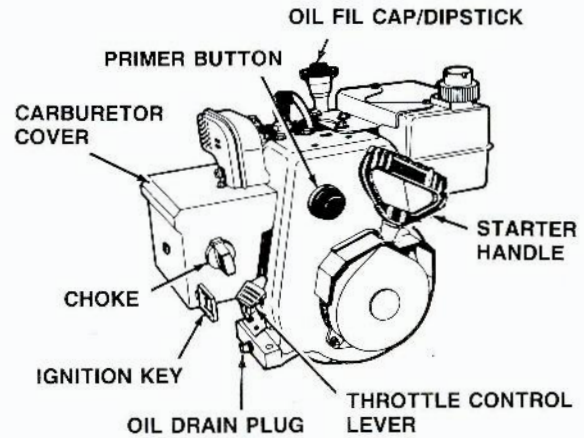
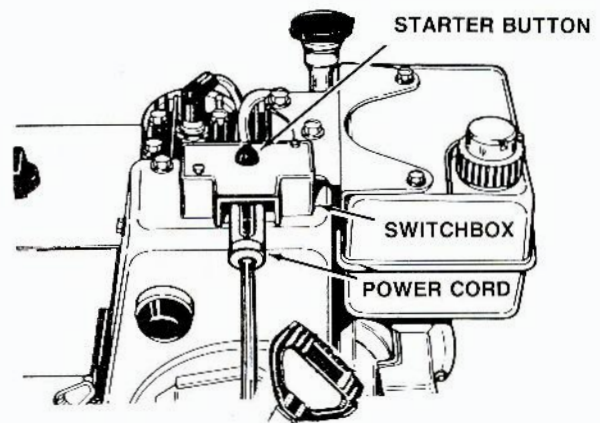


FIGURE 11



ELECTRIC STARTER

FIGURE 11A

5. Plug other end of POWER CORD into a three hole, GROUNDED 120V, AC receptacle. (See "warning" at beginning of these instructions).
6. START ENGINE:
 - A. Push STARTER BUTTON (Figure 11A) to engage starter motor and crank engine.
 - B. Move CHOKE on engine to "Full" while cranking engine.

NOTE: THIS ELECTRIC STARTER IS THERMALLY PROTECTED. IF OVERHEATED IT WILL STOP AUTOMATICALLY, AND CAN BE RESTARTED ONLY WHEN IT HAS COOLED TO A SAFE TEMPERATURE. (A WAIT OF ABOUT 5 TO 10 MINUTES IS REQUIRED.)

- C. When engine starts, release STARTER BUTTON and move CHOKE gradually to "Off".
 - D. If engine falters, move CHOKE immediately to "Full" and then gradually to "Off".
 - E. Disconnect POWER CORD from receptacle, first, and then from SWITCHBOX.
7. As engine warms up and begins to operate evenly, rotate choke knob slowly to OFF position. If engine falters, return to 1/2 choke until it runs smoothly, then move to OFF choke position. **NOTE:** Allow the engine to warm up for a few minutes as the engine will not develop full power until it reaches operating temperature.
 8. Run engine at or near top speed.
 9. To stop engine, move throttle control lever to stop position and remove key. **Do not turn key.**

If, after following the preceding instructions, your engine fails to start, have it checked by your nearby Authorized Sears Service Outlet.

Warm Engine Start (Electric Starter)

(Engine still warm from recent running). Proceed with the following instructions.

NOTE: Warm engine may start without choking.

NOTE: "WARNING" PERTAINING TO SAFE USE OF 3-WIRE GROUNDED ELECTRICAL SYSTEM, ON PAGE 8. ELECTRIC STARTER - 120 VOLT "AC" ALSO APPLIES TO THESE INSTRUCTIONS. REVIEW THIS "WARNING" BEFORE PROCEEDING.

NOTE: DO NOT USE PRE-STARTING PRIMER WHEN USING 120 VOLT ELECTRIC STARTER.

1. Be sure auger drive clutch lever and traction drive clutch lever are in the disengaged position, "RELEASED".
2. Move Throttle Control (UP) to "Fast" position. Insert key into ignition slot. Be sure it snaps into place. (Figure 11) **Do not turn key.**
3. Rotate CHOKE knob to "OFF" (Figure 11).
4. Connect POWER CORD to SWITCHBOX. (Figure 11A)
5. Plug other end of POWER CORD into a three hole, GROUNDED 120V, AC receptacle. (See "warning" at beginning of these instructions).

6. START ENGINE:

- A. Push STARTER BUTTON (Figure 11A) to engage starter motor and crank engine.
- B. Move CHOKE on engine to "Full" while cranking engine.

NOTE: THIS ELECTRIC STARTER IS THERMALLY PROTECTED. IF OVERHEATED IT WILL STOP AUTOMATICALLY, AND CAN BE RESTARTED ONLY WHEN IT HAS COOLED TO A SAFE TEMPERATURE. (A WAIT OF ABOUT 5 TO 10 MINUTES IS REQUIRED.)

- C. When engine starts, release STARTER BUTTON and move CHOKE gradually to "Off".
 - D. If engine falters, move CHOKE immediately to "Full" and then gradually to "Off".
 - E. Disconnect POWER CORD from receptacle, first, and then from SWITCHBOX.
7. Run engine at or near top speed.
 8. To stop engine, move throttle control lever to stop position and remove key. **Do not turn key.**

If, after following the preceding instructions, your engine fails to start, have it checked by your nearby Authorized Sears Service Outlet.

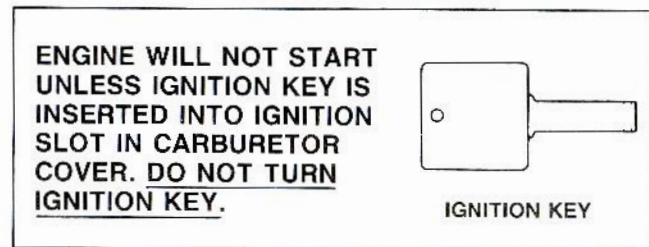
DO NOT LOSE IGNITION KEY. KEEP IT IN A SAFE PLACE. ENGINE WILL NOT START WITHOUT IGNITION KEY.

Snowblower Operation

The most effective use of the snowblower will be established by experience, taking into consideration the terrain, wind conditions and building location which will determine the direction of the discharge chute.

NOTE: Do not blow snow towards a building as hidden objects could be blown with sufficient force to cause damage.

1. Start the engine as described in paragraph **To Start Engine**.



2. Adjust snow chute deflector.
3. Using crank, position the discharge chute to discharge snow with the wind.
4. Select proper speed for snow conditions as outlined below and set speed select lever to desired position.

NOTE: Always release traction drive clutch lever before moving speed select lever.

Ground speed is determined by snow conditions. Select the speed you desire by moving the speed selector into the appropriate coloured area on the control panel.

Red	- Wet, Heavy, Slushy, Extra Deep
Amber	- Moderate
White	- Very Light
Green	- Transport Only

For additional operating instructions see "OPERATING TIPS" page 18.

5. Engage auger drive clutch lever (right hand). **IMPORTANT:** Be sure front of unit is clear of bystanders or obstacles before operating.

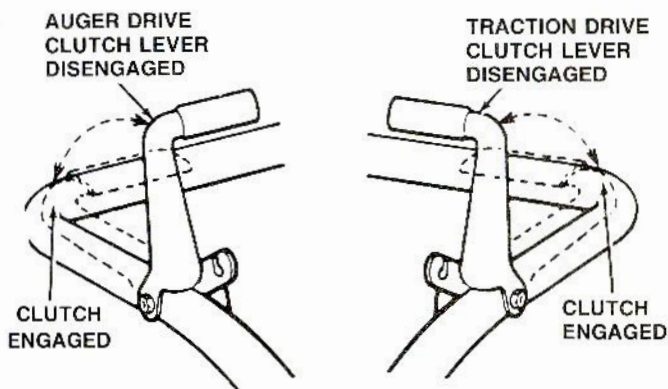


FIGURE 12

6. Engage traction drive clutch lever (left hand). As the snowblower starts to move, maintain a firm hold on the handles and guide the snowblower along the cutting path. Do not attempt to push the snowblower.
7. To stop forward motion, release traction drive clutch lever (left hand).
8. To stop auger, release auger drive clutch lever (right hand).
9. To move the snowblower backwards, move speed select lever into first or second reverse and engage traction drive clutch lever (left hand). To stop, release traction drive clutch lever.

⚠ DANGER ⚠

Never run engine indoors or in enclosed, poorly ventilated areas. Engine exhaust contains **CARBON MONOXIDE**, an **ODORLESS** and **DEADLY GAS**.

Keep hands, feet, hair and loose clothing away from any moving parts on engine and snowblower.

WARNING – Temperature of muffler and nearby areas may exceed 150°F. Avoid these areas.

DO NOT allow children or young teenagers to operate or be near snowblower while it is operating.

⚠ DANGER ⚠

Do not attempt to remove any item that may become lodged in auger without taking the following precautions:

1. Release auger and drive clutch levers.
2. Move throttle lever to **STOP** position.
3. Remove ignition key.
4. Disconnect spark plug wire.
5. Do not place your hands in the auger or discharge chute. Use a pry bar.

Free Manuals Download Website

<http://myh66.com>

<http://usermanuals.us>

<http://www.somanuals.com>

<http://www.4manuals.cc>

<http://www.manual-lib.com>

<http://www.404manual.com>

<http://www.luxmanual.com>

<http://aubethermostatmanual.com>

Golf course search by state

<http://golfingnear.com>

Email search by domain

<http://emailbydomain.com>

Auto manuals search

<http://auto.somanuals.com>

TV manuals search

<http://tv.somanuals.com>