

SEARS

owner's manual

Model
C950-52930-0
11-H.P. 31 inch

CAUTION:

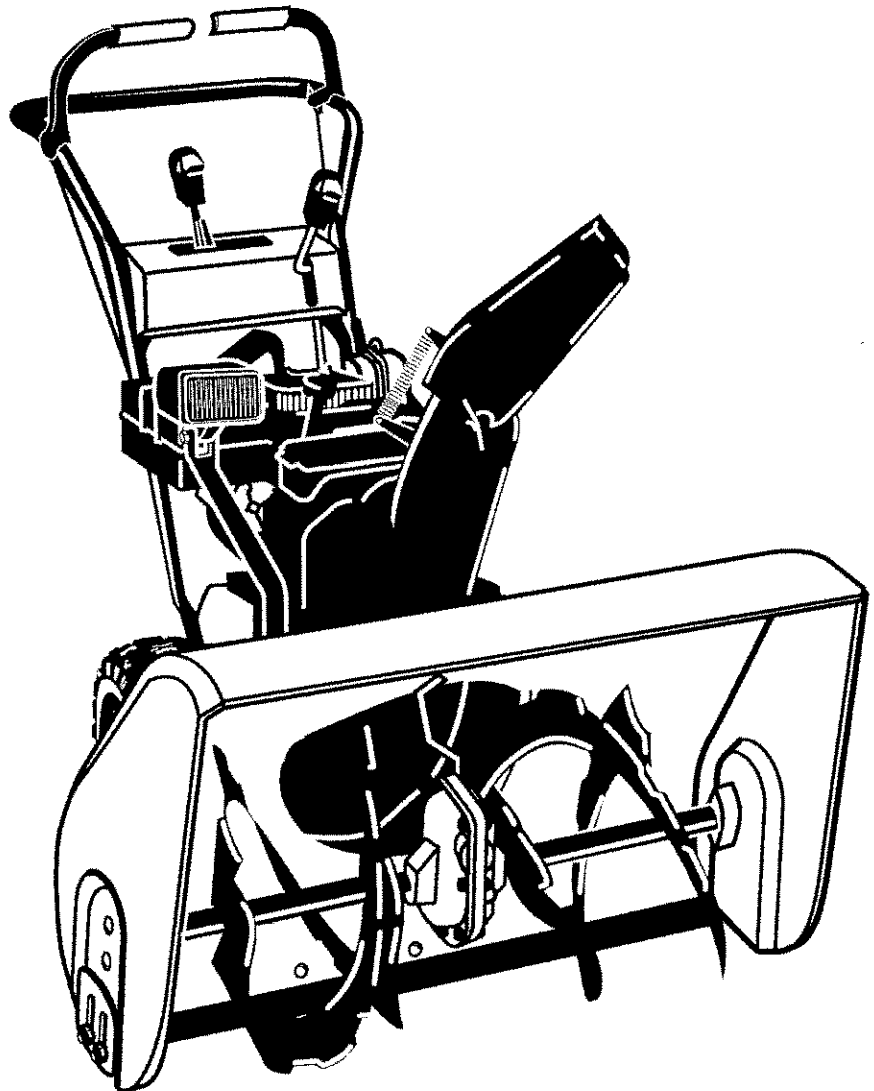
You must read and understand this owner's manual before operating unit.

Serial No. _____

SEARS

CRAFTSMAN

DUAL STAGE SNOW BLOWER



RULES FOR SAFE OPERATION

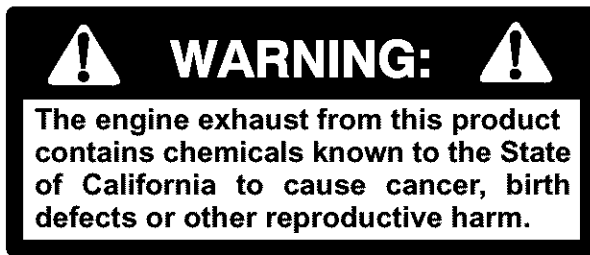
IMPORTANT



WARNING: Always disconnect the spark plug wire and place it where it cannot make contact with spark plug to prevent accidental starting during: Preparation, Maintenance, or Storage of your snow blower.



SAFE OPERATION PRACTICES FOR WALK-BEHIND SNOW BLOWER DO NOT OPERATE THIS EQUIPMENT BEFORE READING THIS MANUAL



TRAINING

1. Read the operating and service instruction manual carefully. Be thoroughly familiar with the controls and the proper use of the equipment. Know how to stop the unit and disengage the controls quickly.
2. Never allow children to operate the equipment. Never allow adults to operate the equipment without proper instruction.
3. Keep the area of operation clear of all persons, particularly small children and pets.
4. Exercise caution to avoid slipping or falling especially when operating in reverse.

PREPARATION

1. Thoroughly inspect the area where the equipment is to be used and remove all doormats, sleds, boards, wires, and other foreign objects.
2. Disengage all clutches before starting the engine.
3. Do not operate the equipment without wearing adequate winter outer garments. Wear footwear that will improve footing on slippery surfaces.
4. Handle fuel with care; it is highly flammable.
 - (a) Use an approved fuel container.
 - (b) Never add fuel to a running engine or hot engine.
 - (c) Fill fuel tank outdoors with extreme care. Never fill fuel tank indoors.
 - (d) Replace gasoline cap securely and wipe up spilled fuel.

5. For all units with electric starting motors use electric starting extension cords certified CSA/UL. Use only with a receptacle that has been installed in accordance with local inspection authorities.
6. Adjust the auger housing height to clear gravel or crushed rock surface.
7. Under no circumstances should any adjustments be made while the engine is running (except when specifically recommended by manufacturer).
8. Let engine and machine adjust to outdoor temperatures before starting to clear snow.
9. Always wear safety glasses or eye shields during operation or while performing an adjustment or repair to protect eyes from foreign objects that may be thrown from the machine.

OPERATION

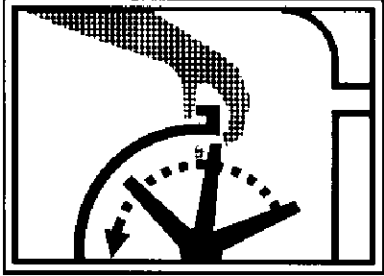

1. Do not put hands or feet near or under rotating parts. Keep clear of the discharge opening at all times.
2. Exercise extreme caution when operating on or crossing gravel drives, walks or roads. Stay alert for hidden hazards or traffic.
3. Never discharge snow onto public roads or near moving traffic.
4. After striking a foreign object, stop the engine, remove the wire from the spark plug, thoroughly inspect snow blower for any damage, and repair the damage before re-starting and operating the snow blower.
5. If the unit should start to vibrate abnormally, stop the engine and check immediately for the cause. Vibration is generally a warning of trouble.
6. Stop the engine and remove spark plug wire whenever you leave the operating position, before unclogging the auger/impeller housing or discharge chute and when making any repairs, adjustments, or inspections.
7. When cleaning, repairing, or inspecting, make certain the auger/impeller and all moving parts have stopped and all controls are disengaged. Disconnect the spark plug wire and keep the wire away from the spark plug to prevent accidental starting.
8. Take all possible precautions when leaving the snow blower unattended. Disengage the auger/ impeller, shift to neutral, stop engine, and remove key.

RULES FOR SAFE OPERATION

9. Do not run the engine indoors, except when starting the engine and for transporting the snow blower in or out of the building. Ensure the outside doors are open; exhaust fumes are dangerous.
10. Do not clear snow across the face of slopes. Exercise extreme caution when changing direction on slopes. Do not attempt to clear steep slopes.
11. Never operate the snow blower without proper guards, plates or other safety protective devices in place.
12. Never operate the snow blower near enclosures, automobiles, window wells, drop-offs, and the like without proper adjustment of the snow discharge angle. Keep children and pets away.
13. Do not overload the machine capacity by attempting to clear snow at too fast a rate.
14. Never operate the machine at high transport speeds on slippery surfaces. Look behind and use care when backing up.
15. Never direct discharge at bystanders or allow anyone in front of the unit.
16. Disengage power to the collector/impeller when snow blower is transported or not in use.
17. Use only attachments and accessories approved by the manufacturer of the snow blower (such as wheel weights, counterweights, cabs, and the like).
18. Never operate the snow blower without good visibility or light. Always be sure of your footing and keep a firm hold on the handles.
19. Do not over-reach. Keep proper footing and balance at all times.
20. Do not attempt to use snow blower on a roof.



MAINTENANCE AND STORAGE

1. Check shear bolts and other bolts at frequent intervals for proper tightness to be sure the equipment is in safe working condition.
2. Never store the machine with fuel in the tank inside a building where ignition sources are present such as hot water and space heaters, clothes dryers, and the like. Allow the engine to cool before storing in any enclosure.
3. Always refer to operator's guide instructions for important details if the snow blower is to be stored for an extended period.
4. Maintain or replace safety and instruction labels, as necessary.
5. Run the machine 2 minutes with auger clutch lever engaged after blowing snow to prevent freeze-up of the auger/impeller.



WARNING: Do not use hands to unclog discharge chute.

- Stop engine/motor before removing debris.
- Do not walk in front of running machine.
- Do not discharge at bystanders.
- Keep people and pets a safe distance from the machine.
- Before leaving machine, shut off engine/ motor and remove key.



WARNING: Avoid injury from rotating auger— keep hands, feet, and clothing away.

OWNER'S INFORMATION

DATE PURCHASED: _____
MODEL NO: _____
SERIAL NO: _____
STORE WHERE PURCHASED: _____
ADDRESS: _____
CITY: _____ PROVINCE: _____
TELEPHONE : _____

Record this information about your unit so that you will be able to provide it in case of loss or theft.

Horse Power	11 HP
Gasoline Capacity	4 quarts (4 litre)
Oil Capacity (5W30)	26 oz. (.77 litre)
Spark Plug: (Gap .030 in.)	Champion RJ19LM
Tire Pressure	14 PSI (0,984 kg/cm ²)
See side of the tire for maximum inflation. Do not exceed the maximum pressure on the tire wall.	

MAINTENANCE AGREEMENT

The Craftsman Warranty, plus a Maintenance Agreement, provide maximum value for Sears products. Contact your nearest Sears store for details.

CUSTOMER RESPONSIBILITIES

Read and observe the safety rules.

Follow a regular schedule in maintaining, caring for and using your snow blower.

Follow the instructions under "Customer Responsibilities" and "Storage" sections of this owner's manual.

WHEELED SNOW BLOWER

LIMITED TWO (2) YEAR WARRANTY ON CRAFTSMAN SNOW BLOWER

For two (2) years from date of purchase, Sears Canada Inc. will repair or replace free of charge, at Sears option, parts which are defective as a result of material or workmanship.

COMMERCIAL OR RENTAL USE:

Warranty on snow blower will be 90 days from date of purchase if used for commercial or rental purposes.

THIS WARRANTY DOES NOT COVER:

1. Pre-delivery set-up.
2. Expendable items which become worn during normal use, such as belts, spark plugs, filter, shear pins as well as damages to the engine resulting from operating the snow blower with insufficient oil.
3. Tire replacement or repair caused by punctures from outside objects, such as nails, thorns, stumps or glass.
4. In home service.

Warranty service is available by returning the Craftsman snow blower to the nearest Sears Service Centre/Department in Canada. This warranty applies only while this product is in use in Canada.

This warranty is in addition to any statutory warranty and does NOT exclude or limit legal rights you may have but shall run concurrently with applicable provincial legislation. Furthermore, some provinces do not allow limitations on how long an implied warranty will last so the above limitations may not apply to you.

SEARS CANADA INC., TORONTO, ONTARIO M5B 2B8

TABLE OF CONTENTS

RULES FOR SAFE OPERATION	2	LUBRICATION AT STORAGE	21
OWNER'S INFORMATION	4	LUBRICATION – EVERY 10 HOURS	21
ASSEMBLY	6	LUBRICATION – EVERY 25 HOURS	22
TOOLS REQUIRED FOR ASSEMBLY	6	ENGINE	23
CONTENTS OF SHIPPING CARTON	6	ADJUSTMENT/REPAIR	24
PARTS BAGS CONTENTS:	6	AUGER HOUSING HEIGHT ADJUSTMENT	24
UNPACKING	7	TO ADJUST SCRAPER BAR	24
SNOW CHUTE ASSEMBLY	8	TO ADJUST SKID HEIGHT	24
UPPER HANDLE AND CRANK ASSEMBLY	9	BELT ADJUSTMENT	25
CONNECT CONTROL CABLE SPRINGS	9	TRACTION DRIVE BELT	25
SPEED SELECT LEVER	10	AUGER DRIVE BELT	25
REMOTE CHUTE CONTROL KNOB	11	BELT REPLACEMENT	26
OPERATION	12	AUGER DRIVE BELT	26
ENGINE AND SNOW BLOWER OPERATING		TRACTION DRIVE BELT	26
CONTROLS	12	BELT GUIDE ADJUSTMENT	27
SNOW BLOWER OPERATION	13	CABLE ADJUSTMENT	27
WHEEL LOCK OUT PIN	14	FRICTION WHEEL ADJUSTMENT	28
BEFORE STARTING ENGINE	15	FRICTION WHEEL REPLACEMENT	29
BEFORE STOPPING THE ENGINE	15	AUGER SHEAR BOLT REPLACEMENT	30
TO START ENGINE	16	SPARK PLUG ADJUSTMENT	30
OPERATING TIPS	19	STORAGE	31
SERVICE RECOMMENDATIONS	20	TROUBLE SHOOTING CHART	32
CUSTOMER RESPONSIBILITIES	21	REPAIR PARTS	33
SNOW BLOWER	21	PARTS ORDERING SERVICE	57
AS REQUIRED	21	ORDER REPAIR PARTS	58

ASSEMBLY

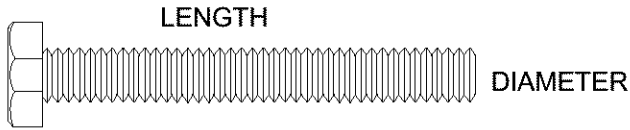
TOOLS REQUIRED FOR ASSEMBLY

- 1–Knife
- 2 1/2" wrenches (or adjustable wrenches)
- 2–9/16" wrenches (or adjustable wrenches)
- 2–3/4" wrenches (or adjustable wrenches)
- 1– Pair pliers or screw driver (to spread cotter pin)

CONTENTS OF SHIPPING CARTON

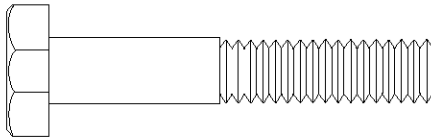
- 1– Snow Blower
- 1– Bottle of Fuel Stabilizer
- 1– Crank Assembly
- 1– Parts Bag

HOW TO MEASURE SCREW SIZE

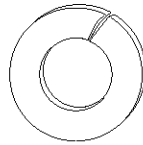


WARNING: Always wear safety glasses or eye shields while assembling snow blower.

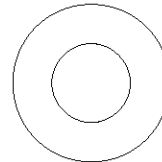
PARTS BAGS CONTENTS:



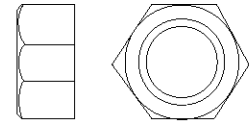
1– 3/8–16 x 2.00 inch Screw



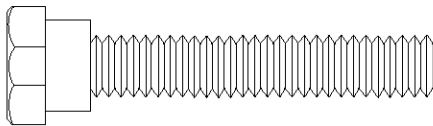
1– 3/8–16
Lockwasher



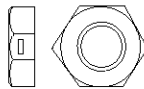
1– 3/8–16
Flatwasher



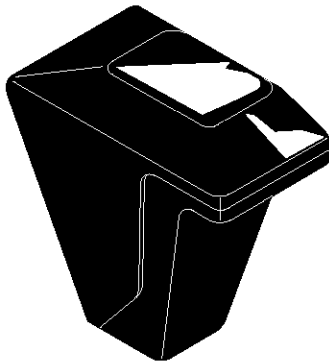
1–3/8–16
Hex Nut



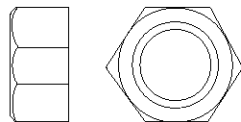
*2–Spare Shear Bolts



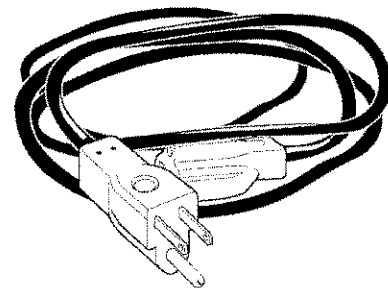
*2–Spare Nuts



2– Shifter Knobs



2– 3/8–16 Hex Jam Nuts



1– Starter Cord

*Non Assembly parts are found in toolbox located on top of belt cover.

ASSEMBLY

Figure 1 shows the snow blower in the shipping position.

Figure 2 shows the snow blower completely assembled.

Reference to right and left hand side of the snow blower is from the operator's position at the handle.

UNPACKING

1. Locate and remove the fuel stabilizer and the parts bag.
NOTE: Place fuel stabilizer in a safe place until needed for storage.
2. Cut and discard the plastic ties securing the chute crank assembly to the top pallet, place chute crank assembly aside. Discard pallet.
3. Locate all parts packed separately and remove from carton.
4. Cut all four corners of the carton from top to bottom and lay the panels flat.
5. Remove and discard the packing material from around the snow blower. Cut any straps that are holding snow blower to lower pallet.
6. Roll the snow blower off the carton by pulling on the lower handle.
CAUTION: DO NOT back over cables.
7. Remove the packing material from the handle assembly.
8. Cut ties securing the clutch control cables to the lower handle.

NOTE: If the cables have become disconnected from the clutch levers, reinstall the cables as shown in Figure 3.

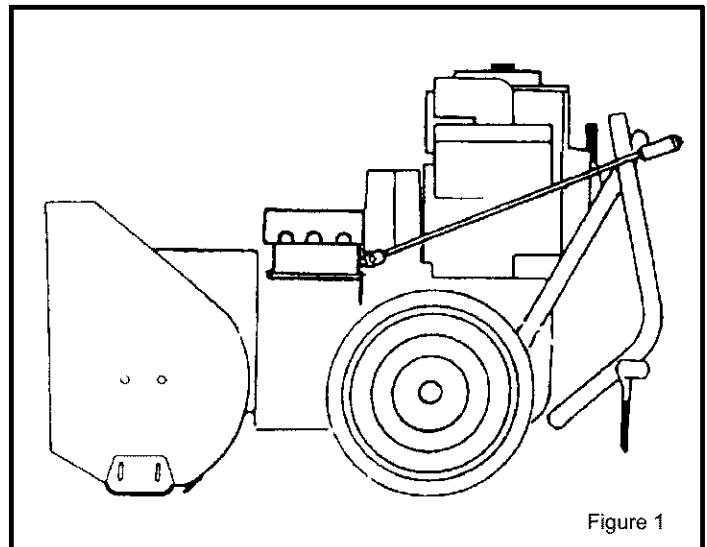


Figure 1

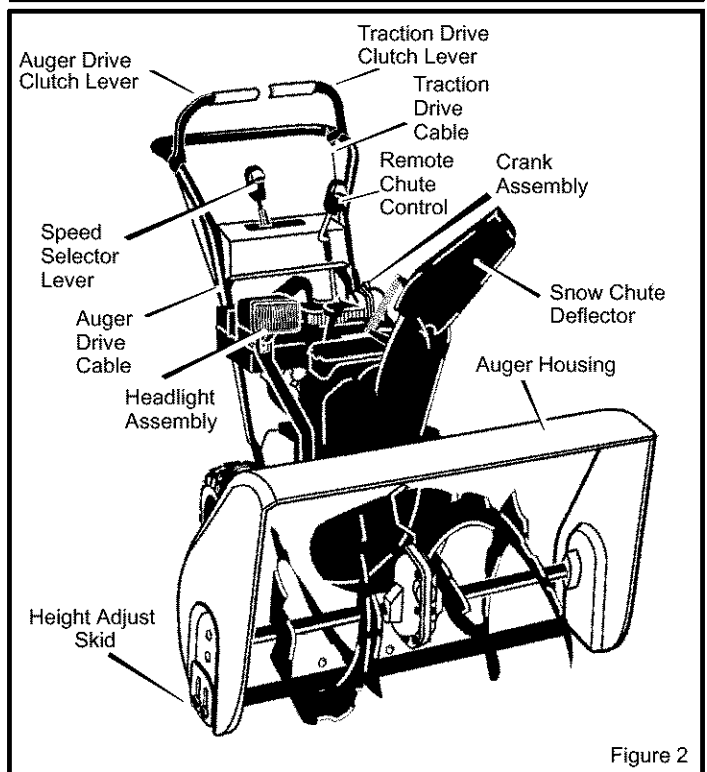


Figure 2

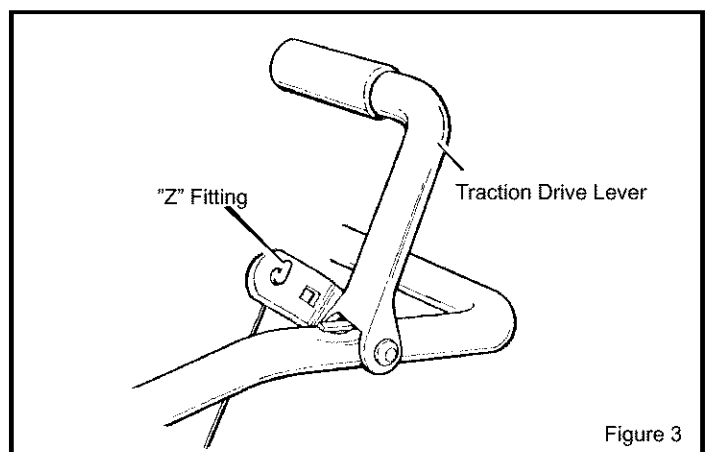


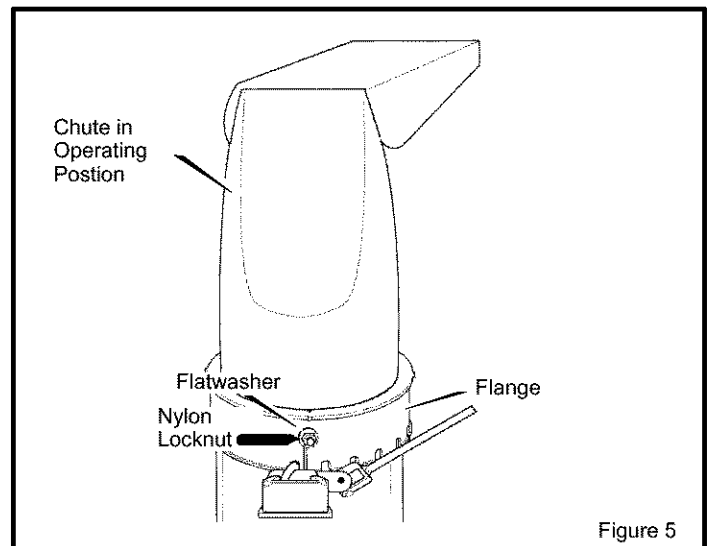
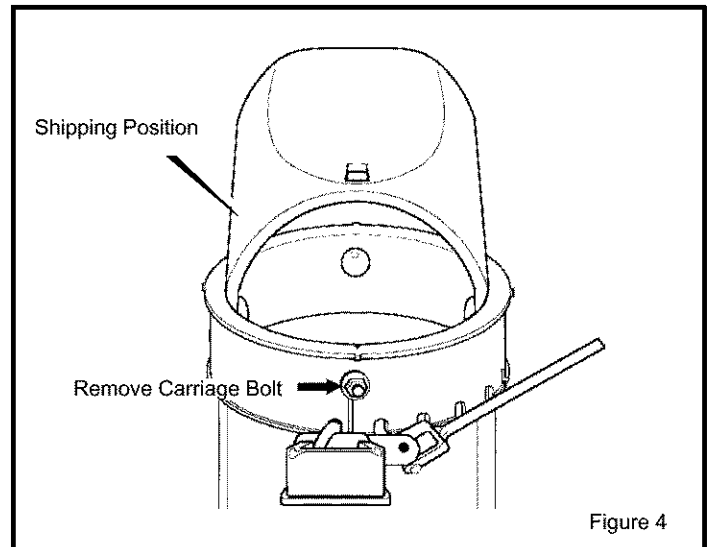
Figure 3

ASSEMBLY

SNOW CHUTE ASSEMBLY

1. Remove back carriage bolt (See Figure 4).
2. Tilt chute back into operating position (See Figure 5).
3. Replace carriage bolt from inside of chute.
4. Replace flatwasher and nylon locknut on outside of flange.
5. Tighten carriage bolt securely.

NOTE: check all carriage bolts in flange for tightness. DO NOT overtighten.



ASSEMBLY

UPPER HANDLE AND CRANK ASSEMBLY

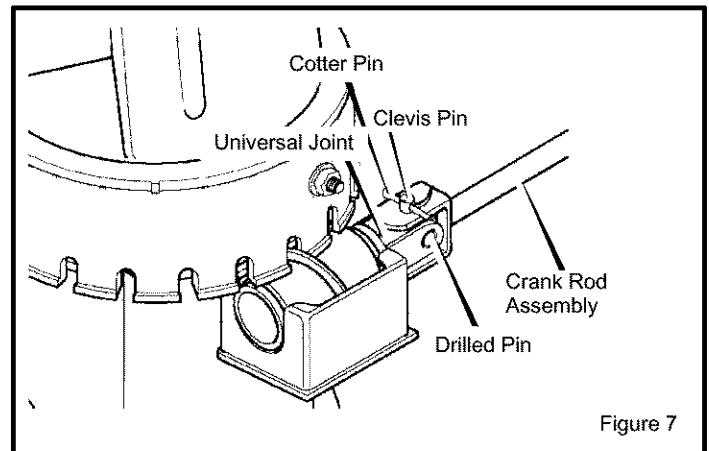
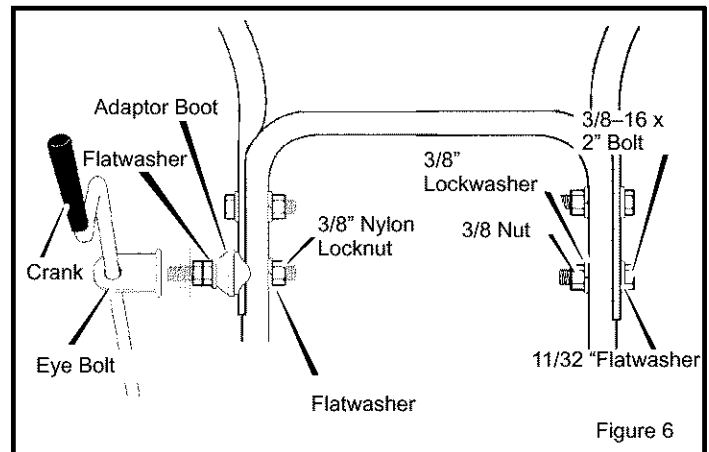
1. Loosen, but do not remove the screws, flatwashers, lockwashers and hex nuts in the upper holes of the lower handle.
2. Raise upper handle into operating position. Upper handle should be to the outside of the lower handle.

NOTE: Make sure the cables are not caught between the upper and lower handle.

3. Install hardware supplied in the parts bag (screw, flatwasher, lockwasher, and hex nut) into right lower hole of upper handle. (See Figure 6). Do not tighten until all bolts are in place.
4. Locate crank assembly removed from carton earlier and remove the 3/8" nylon locknut and flatwasher from the eye bolt assembly.
5. Install the eye bolt through the lower hole on the left hand side of the handle. (See Figure 6).
6. Install the 3/8" flatwasher and the 3/8" nylon locknut.
7. Carefully remove cotter pin, clevis pin, and universal joint pin from yoke end of crank rod assembly. (Figure 7)
8. Place universal joint into end of worm gear lining up large holes. Insert the universal joint pin. Make sure the opening in pin is in line with small openings in universal joint.
9. Place yoke end of crank rod around universal joint lining up openings. Insert clevis pin through assembly and secure with cotter pin. Spread ends of cotter pin to lock in place.
10. Tighten nut on eye bolt, keeping eye in line with the rod while tightening the inside securely.

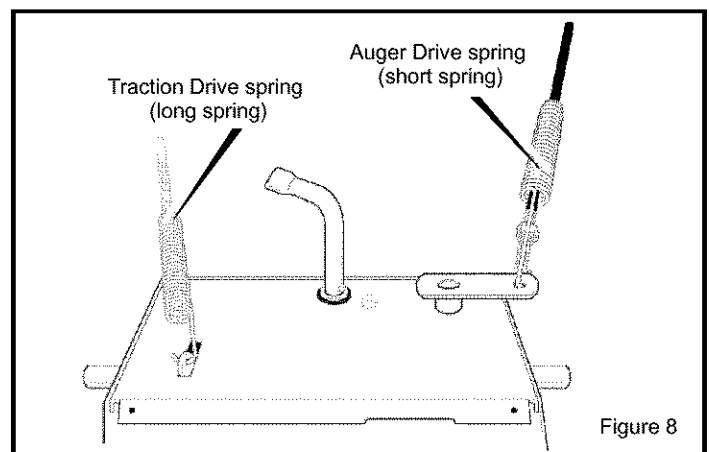
11. Tighten all handle bolts.

NOTE: Make sure crank does not touch carburetor cover.



CONNECT CONTROL CABLE SPRINGS

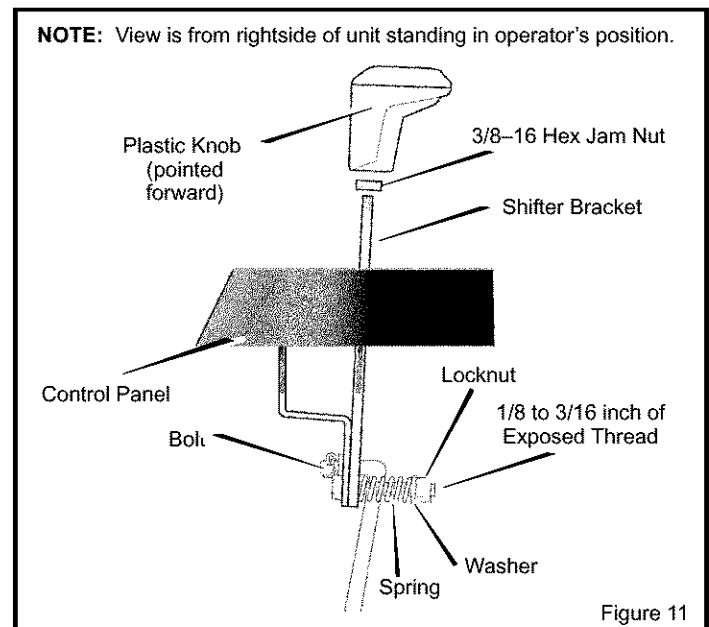
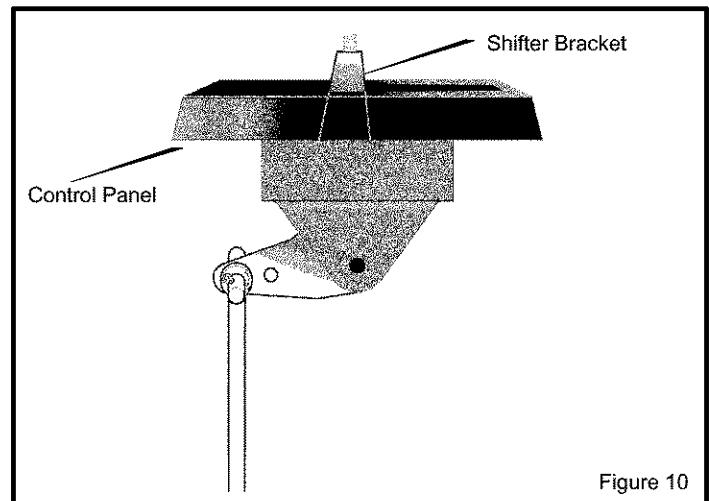
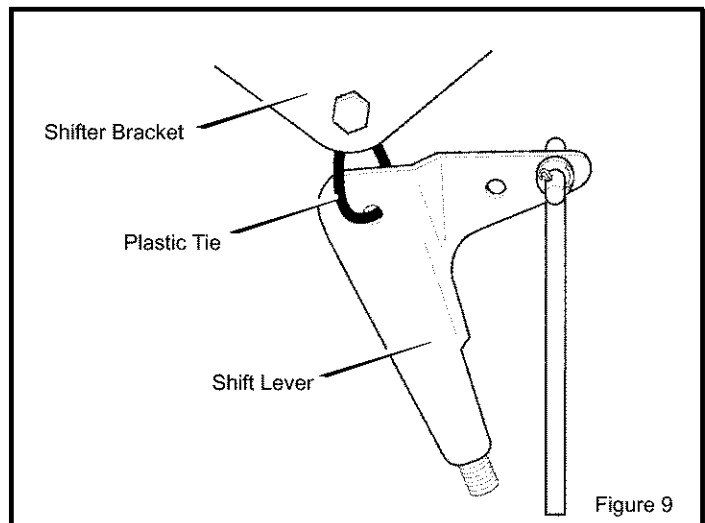
1. If control cable springs have become unattached from motor mount frame, reconnect cables as shown in Figure 8.
2. For cable adjustments, see "Cable Adjustment" in the ADJUSTMENT/REPAIR section.
3. Roll snow blower off the skid by pulling on the handles.



ASSEMBLY

SPEED SELECT LEVER

1. Cut plastic tie securing speed select lever assembly to the shifter bracket. (See Figure 9)
2. Remove locknut, washer, spring, and the bolt. (See Figure 11)
3. Position speed selector lever assembly as shown in Figure 10.
4. Reinstall bolt, spring, washer and locknut. (See Figure 11)
5. Tighten locknut until 1/8 to 3/16 inch of the bolt threads protrude past the locknut.
6. Thread the 3/8–16" hex jam nut onto the lever until the nut reaches the end of the thread. (See Figure 11)
7. Thread the plastic knob as far as possible and ensure that the knob points forward.
8. Tighten the 3/8–16" hex jam nut against the knob securely.
9. Move shifter through all speeds to ensure proper tension of the spring. If shifter lever sticks in any of the notches, loosen locknut 1/2 turn at a time until shifter lever moves more freely.
10. If adjustment of speed of snow blower is needed, refer to "Friction Wheel Adjustment" in the ADJUSTMENT/REPAIR section.

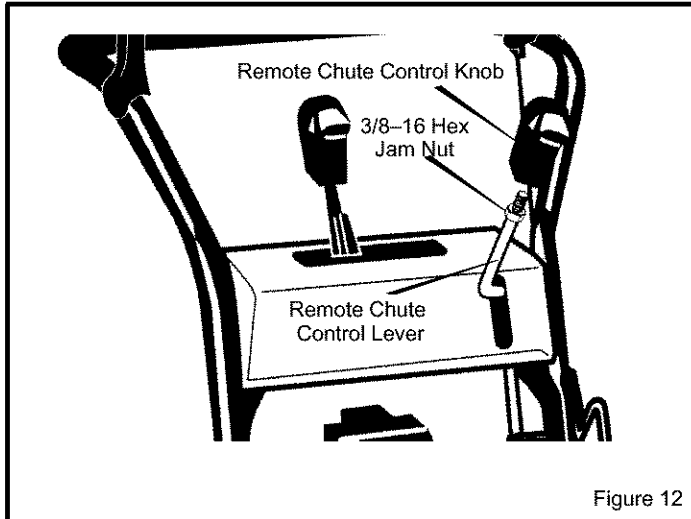


ASSEMBLY

REMOTE CHUTE CONTROL KNOB

1. Thread the 3/8–16” hex jam nut onto the lever until the nut reaches the end of the thread. (See Figure 12)
2. Thread the plastic knob as far as possible and ensure that the knob points forward.
3. Tighten the 3/8–16” hex jam nut against the knob securely.
4. Remove cable ties from chute cable and read and remove hang tags.

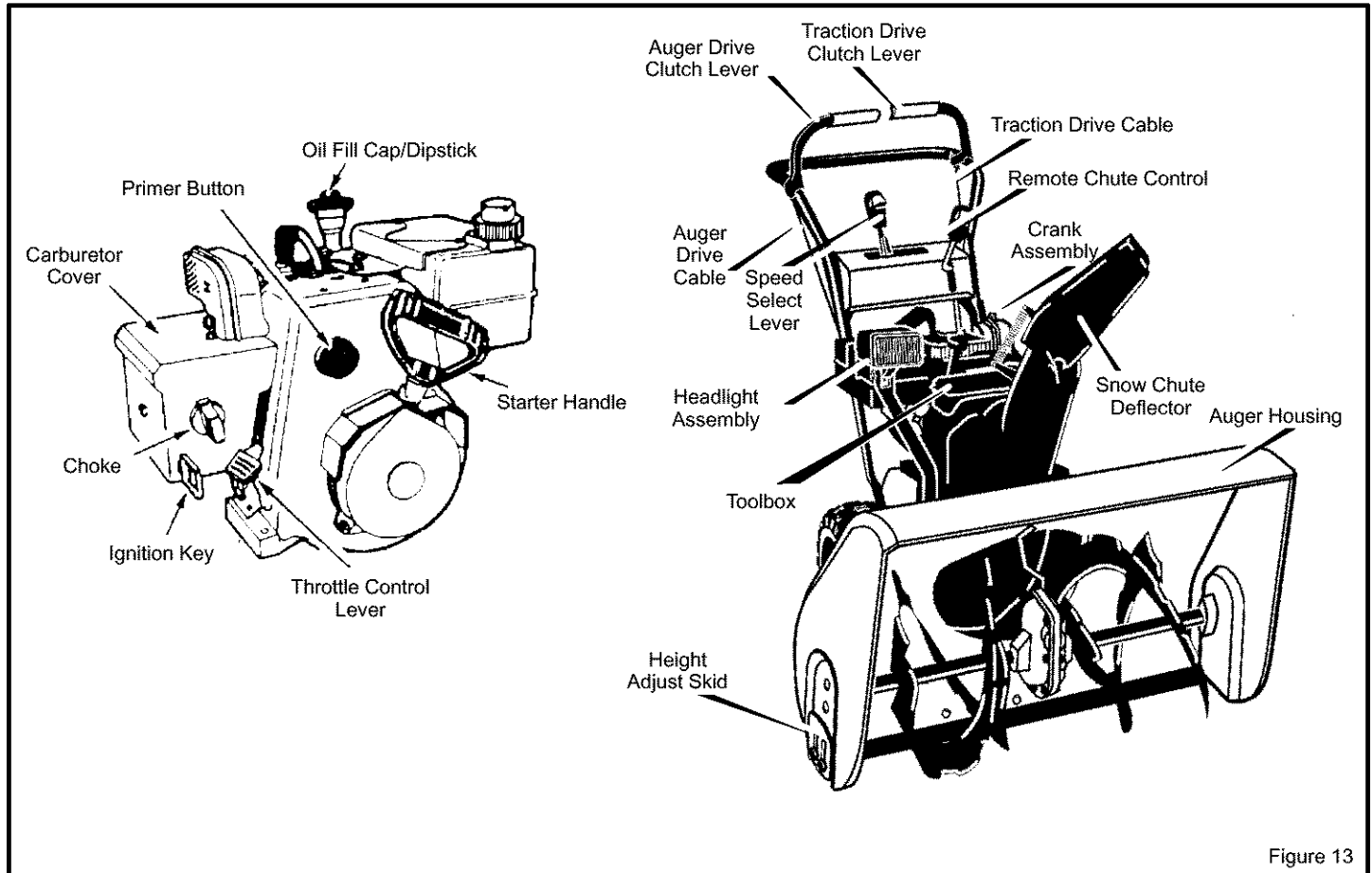
The headlight on your snow blower is positioned down for packaging purposes. Rotate upward for operating position.



NOTE: This snow blower was shipped WITH OIL in the engine. See “Before Starting Engine” instructions in the Operation section of this manual before starting engine.

OPERATION

Get to know your snow blower and its controls. Be sure you (or any other operator) have read and understood the Operation Precautions listed on page 2 of this manual.



ENGINE AND SNOW BLOWER OPERATING CONTROLS

The engine operating controls and their functions are as follows:

Throttle Control Lever – This snow blower is equipped with an engine mounted throttle control lever used to start a cold engine.

Choke Lever– Set choke lever to ON CHOKE position to start a cold engine.

Electric Start Button– Used to start the engine using the 120 volt electric starter.

Prime Button– Used to inject fuel directly into carburetor manifold to insure fast starts in cool weather.

Ignition Key– Must be inserted into ignition key slot to start engine. Pull out to stop. Do not turn ignition key.

Starter Handle– Starts the engine manually.

The snow blower operating controls and their functions are as follows:

Speed Select Lever– Allows the operator to use one of six (6) forward and two (2) reverse speeds. To shift, move speed select lever to desired position.

NOTE: Do not move speed select lever while Traction Drive Clutch is engaged. This may result in severe damage to drive system.

Auger Drive Clutch Lever– Used to engage and disengage the auger and impeller. To engage push down, to disengage release.

Traction Drive Clutch Lever– Used to propel snow blower forward or reverse. Push down to engage, release to disengage.

Snow Chute Deflector– Changes the direction the snow is blown.

Remote Chute Deflector Lever– Push remote lever forward to discharge snow high and far. Pull remote lever back to discharge snow down.

Crank– Used to change direction of the snow discharge. Turn handle clockwise to turn chute to right. Turn handle counter clockwise to turn chute to left.

Height Adjust Skid– Used to adjust ground clearance of auger housing (see To Adjust Skid Height in the Adjustment/Repair section of this manual).

Toolbox – Spare shear pins and spacers are located in toolbox.

OPERATION



The operation of any snow blower can result in foreign objects being thrown into the eyes, which can result in severe eye damage. Always wear safety glasses or eye shields before beginning snow blower operation. We recommend standard safety glasses or Wide Vision Safety Mask for over spectacles.

SNOW BLOWER OPERATION

The most effective use of the snow blower will be established by experience, taking into consideration the terrain, wind conditions and building location which will determine the direction of the discharge chute.

NOTE: Do not blow snow towards a building as hidden objects could be blown with sufficient force to cause damage.

1. Start the engine as described in section "To Start Engine" (see Figure 16).
2. Adjust snow chute deflector. Push the remote chute lever forward to discharge snow high and far, pull remote chute deflector back to discharge snow down. (see Figure 15).
3. Using crank, position the discharge chute to discharge snow with the wind.
4. Select proper speed for snow conditions as outlined below and set speed select lever to desired position.

NOTE: Always release traction drive clutch lever before moving speed select lever.

Ground speed is determined by snow conditions. Select the speed you desire by moving the speed selector into the appropriate colored area on the control panel.

Red	Wet, Heavy, Slushy, Extra Deep
Amber	Moderate
White	Very Light
Green	Transport Only

NOTE: When clearing wet, heavy snow, it is recommended that the ground speed of the unit be reduced, maintain full throttle and do not attempt to clear the full width of the unit.

For additional operating instructions see "Operating Tips" in this section of the manual.

5. Engage auger drive clutch lever (right hand—Figure 16).

IMPORTANT: Be sure front of unit is clear of bystanders or obstacles before operating.

6. Engage traction drive clutch lever (left hand—Figure 16). As the snow blower starts to move, maintain a firm hold on the handles and guide the snow blower along the cutting path. Do not attempt to push the snow blower.



WARNING: Read Owner's Manual before operating machine. This machine can be dangerous if used carelessly.

Never operate the snow blower without all guards, covers, and shields in place.

Never direct discharge towards windows or allow bystanders near machine while engine is running.

Stop the engine whenever leaving the operating position.

Disconnect spark plug before unclogging the impeller housing or the discharge chute and before making repairs or adjustments.

When leaving the machine, remove the ignition key.

To reduce the risk of fire, keep the machine clean and free from spilled gas, oil and debris.

ENGINE WILL NOT START UNLESS IGNITION KEY IS INSERTED INTO IGNITION SLOT IN CARBURETOR COVER. DO NOT TURN IGNITION KEY.

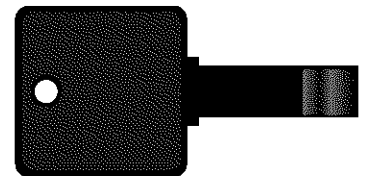


Figure 14

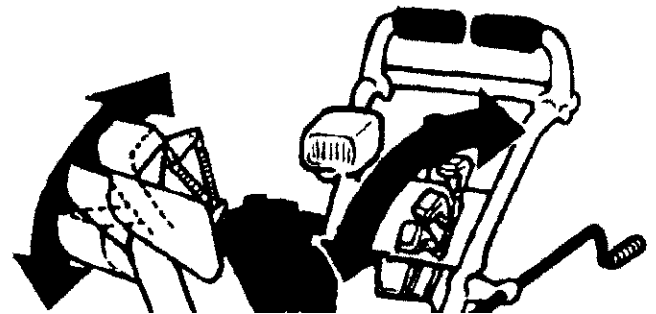


Figure 15

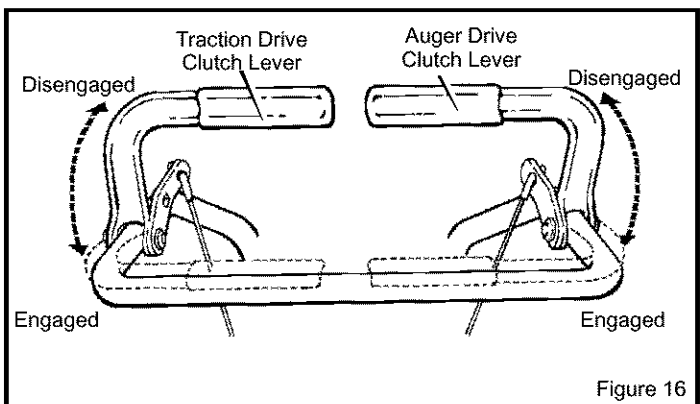


Figure 16

7. To stop forward motion, release traction drive clutch lever (left hand – Figure 16).

OPERATION

- To stop auger, release auger drive clutch lever (right hand – Figure 16).
- To move the snow blower backwards, move speed select lever into first or second reverse and engage traction drive clutch lever (left hand). To stop, release traction drive clutch lever.



WARNING: Never run engine indoors or in an enclosed, poor ventilated area. Engine exhaust contains **CARBON MONOXIDE**, an **ORDERLESS** and **DEADLY GAS**.

Keep hands, feet, hair and loose clothing away from any moving parts on engine and snow blower.

Temperature of muffler and nearby areas can exceed 150° F (66° C). Avoid these areas.

DO NOT allow children or young teenagers to operate or be near snow blower while it is operating.

WHEEL LOCK OUT PIN

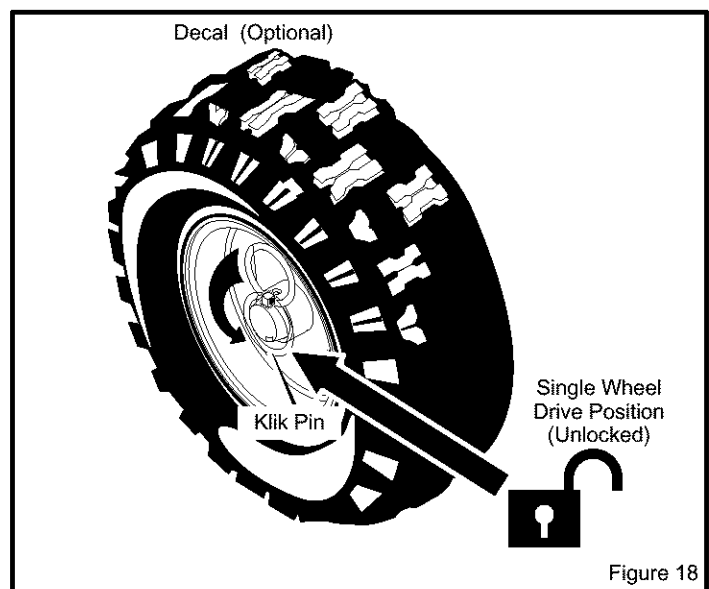
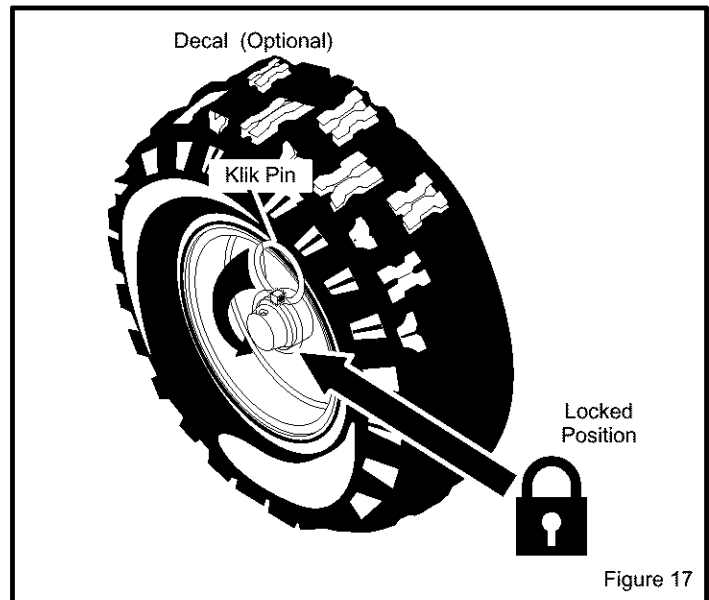
- The left hand wheel is secured to the axle with a klik pin. This unit was shipped with this klik pin in the locked position. (Figure 17).
- For ease of maneuverability when lighter conditions prevail, remove klik pin from wheel locked position and insert into single wheel drive (unlocked) position (Figure 18). Make sure that the klik pin is in the single wheel drive position of the axle only and not through the locked position.

NOTE: Check tire pressure (14 pounds). See side of tire for maximum inflation. Do not exceed listed maximum pressure.



WARNING: Do not attempt to remove any item that may become lodged in auger without taking the following precautions:

- Release auger and drive clutch levers.
- Move throttle lever to **STOP** position.
- Remove the ignition key.
- Disconnect the spark plug wire.
- Do not put your hands in the auger or discharge chute. Use a pry bar.



OPERATION

BEFORE STARTING ENGINE

Check the oil

NOTE: The engine was shipped from the factory filled with oil. Check the level of the oil. Add oil as needed.

1. Make sure the unit is level.

NOTE: Do not check the level of the oil while the engine runs.

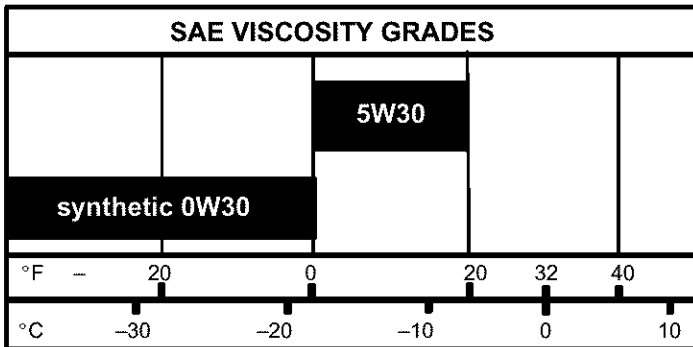
2. Remove the oil fill cap/dipstick. Check the oil.
3. If necessary, add oil until the oil reaches the FULL mark on the oil fill cap/dipstick (see Figure 19). Do not add too much oil.

NOTE: For extreme cold operating conditions of 0°F (-18° C) and below, use a synthetic 0W30 motor oil for easier starting.

NOTE: S.A.E. 5W30 motor oil may be used to make starting easier in areas where the temperature is 20° F. (-7° C) to 0° F (-18° C).

NOTE: SEE CHART FOR OIL RECOMMENDATION

TEMPERATURE	TYPE OF OIL
20° F. to 0° F. (-7° C) to (-18° C)	S.A.E. 5W30
0° F. (-18° C) and below	synthetic 0 W30



FILL GAS

1. Fill the fuel tank with a fresh, clean, unleaded regular, unleaded premium, or reformulated automotive gasoline only. **DO NOT** use leaded gasoline.

NOTE: Winter grade gasoline has higher volatility to improve starting. Be certain container is clean and free from rust or other foreign particles. Never use gasoline that may be stale from long periods of storage in the container.

CAUTION: DO NOT use gasoline containing any amount of alcohol as it can cause serious damage to the engine or significantly reduce the performance.

2. Check to make sure that spark plug is tightened securely into engine and spark plug wire is attached to spark plug. If torque wrench is available, torque plug to 18–23 ft.-lbs.



WARNING: Gasoline is flammable. Always use caution when handling or storing gasoline. Do not add gasoline to the fuel tank while snow blower is running, hot, or when snow blower is in an enclosed area. Keep away from open flame, electrical sparks and **DO NOT SMOKE** while filling the fuel tank. Never fill the fuel tank completely; but fill the fuel tank to within 1/4–1/2 inch (6.5–12.5 mm) from the top to provide space for the expansion of the fuel. Always fill fuel tank outdoors and use a funnel or spout to prevent spilling. Make sure to wipe up any spilled fuel before starting the engine.

Store gasoline in a clean, approved container, and keep the cap in place on the container. Keep gasoline in a cool well ventilated place; never in the house. Never buy more than a 30 day supply of gasoline to assure volatility. Gasoline is intended to be used as a fuel for internal combustion engines; therefore, do not use gasoline for any other purpose. Since many children like the smell of gasoline, keep it out of their reach because the fumes are dangerous to inhale, as well as being explosive.

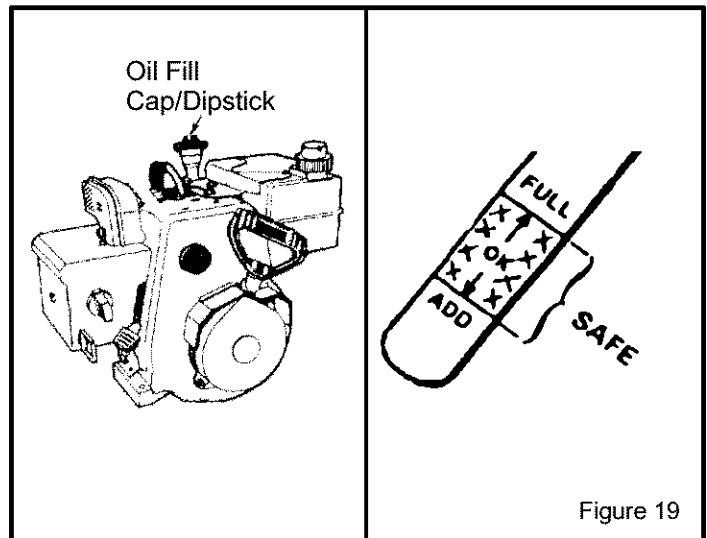


Figure 19

BEFORE STOPPING THE ENGINE

Run the engine for a few minutes to help dry off any moisture on the engine.

To help avoid possible freeze-up of the starter, proceed as follows:

Recoil Starter

With the engine running, pull the starter rope with a rapid continuous full arm stroke three or four times.

NOTE: The normal sound made by pulling the starter rope will not harm the engine or the starter.

Electric Starter

1. Connect the power cord to the switchbox and then to a wall outlet.
2. With the engine running, push the starter button and spin the starter for several seconds.

OPERATION

NOTE: The normal sound made by spinning the starter will not harm the engine or the starter.

3. Disconnect the power cord from the receptacle first and then from the switchbox.

TO START ENGINE

Be sure that engine has sufficient oil.

The snow blower engine is equipped with a recoil starter.

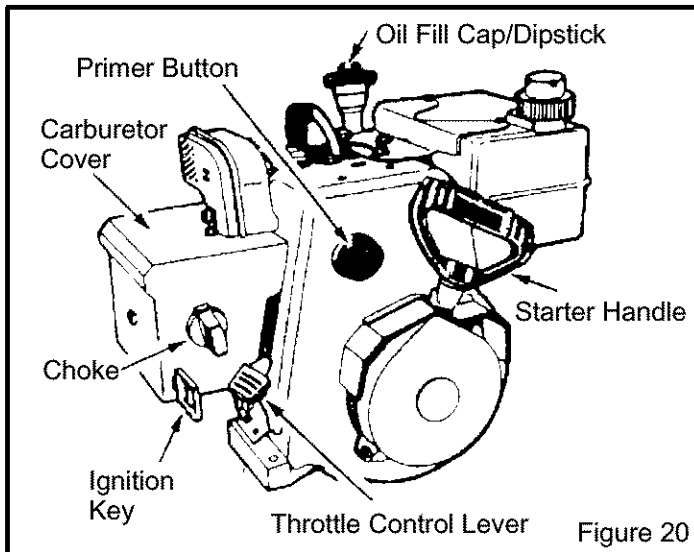


Figure 20

COLD ENGINE START (RECOIL STARTER) (SEE FIGURE 20)

(Engine has not been run recently.)

1. Be sure auger drive clutch lever and traction drive clutch lever are in the disengaged (RELEASED) position.
 2. IN TEMPERATURES ABOVE 0°F (-18°C)
Move throttle control to "FAST" position.
IN TEMPERATURES BELOW 0°F (-18°C)
Move throttle control to "1/2 THROTTLE" position. Before engaging auger drive clutch lever allow engine to idle for five minutes to allow engine oil to warm. Failure to allow engine oil to warm can cause damage to engine.
 3. Insert key into ignition slot. Make sure it snaps into place (Figure 20). Do not turn key.
 4. Rotate choke knob to the on position.
 5. Push the primer button as follows:
Above 50° F (10° C), DO NOT PRIME.
From 50° F (10° C) to 15°F (-10° C), PUSH TWO TIMES.
Below 15° F (-10° C), PUSH FOUR TIMES.
- NOTE:** Cover the vent hole when as you push the primer. Remove your finger from the primer vent hole between pushes.
6. Pull starter handle (Figure 20) rapidly, and allow to re-wind slowly while maintaining firm grip on handle.
 7. As engine warms up move choke lever to "1/2 choke" position. When engine does not run smoothly, move choke lever to the off position.

NOTE: Allow the engine to warm up for several minutes before blowing snow in temperatures below 0°F.

8. Run engine at or near top speed.
9. To stop engine, move throttle control lever to stop position. Remove key. Do not turn key.

WARM ENGINE START (RECOIL STARTER)

(Engine still warm from recent running.)

1. Be sure auger drive clutch lever and traction drive clutch lever are in the disengaged (RELEASED) position.
2. IN TEMPERATURES ABOVE 0°F (-18°C)
Move throttle control to "FAST" position.
IN TEMPERATURES BELOW 0°F (-18°C)
Move throttle control to "1/2 THROTTLE" position. Allow engine to idle at "1/2 Throttle" for five minutes to allow engine oil to warm before engaging auger drive clutch lever. Failure to allow engine oil to warm can cause damage to engine.
3. Insert key into ignition slot. Make sure it snaps into place (Figure 20). Do not turn key.
4. CHOKE KNOB must be in the off position. Do not use primer button.
5. Pull starter handle (Figure 20) rapidly, and allow to re-wind slowly while maintaining firm grip on handle.
6. If engine fails to start after a reasonable number of starting attempts, rotate choke knob to the on position and repeat instruction number 5.
7. As engine warms up, move the choke lever to the "1/2 choke" position. When engine does not run smoothly, move choke lever to the off position.

NOTE: Allow the engine to warm up for several minutes before blowing snow in temperatures below 0°F.

8. Run engine at or near top speed.
9. To stop engine, move throttle control lever to stop position. Remove ignition key. Do not turn the ignition key.

To help prevent possible freeze-up of recoil starter and engine controls, proceed as follows after each snow removal job.

1. With engine running, pull starter rope hard with a continuous full arm stroke three or four times. Pulling of starter rope will produce a loud clattering sound. This is not harmful to the engine or starter.
2. With engine not running, wipe all snow and moisture from carburetor cover in area of control levers. Also move control levers backward and forward several times.

IMPORTANT: After each use of the snow blower, stop the engine, remove the ignition key, remove all accumulated snow from the snow blower and wipe clean. Store the snow blower in a protected area.

NOTE: Never cover snow blower while engine and exhaust area are still warm.

OPERATION

USE OF ELECTRIC STARTER

On models so equipped



WARNING: The electric starter is equipped with a three-wire power cord and plug designed to operate on 120 volt AC house hold current. The power cord must be properly grounded at all times to avoid the possibility of electric shock which can cause injury to the operator. Follow all instructions carefully as set forth below:

Make sure your house has a three-wire grounded system. If you are not sure, ask a licensed electrician. If your house does not have a three-wire grounded system, do not use this electric starter under any condition.

If your house has a three-wire grounded system but a three hole receptacle is not available to connect the electric starter, have a three-hole receptacle installed by a licensed electrician.



WARNING: To connect a 120 volt power cord, always connect the power cord first to the switch box located on the engine and then plug the other end into a three-hole grounded receptacle.



WARNING: To disconnect the power cord, always unplug the end connected to the three-hole grounded receptacle first.

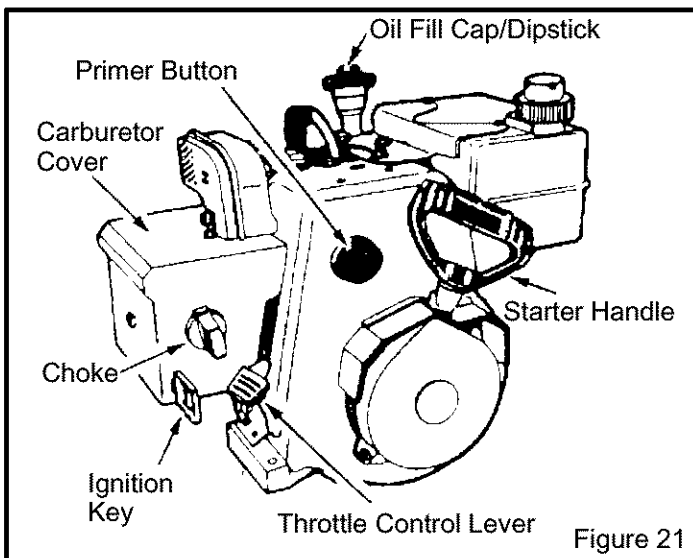


Figure 21

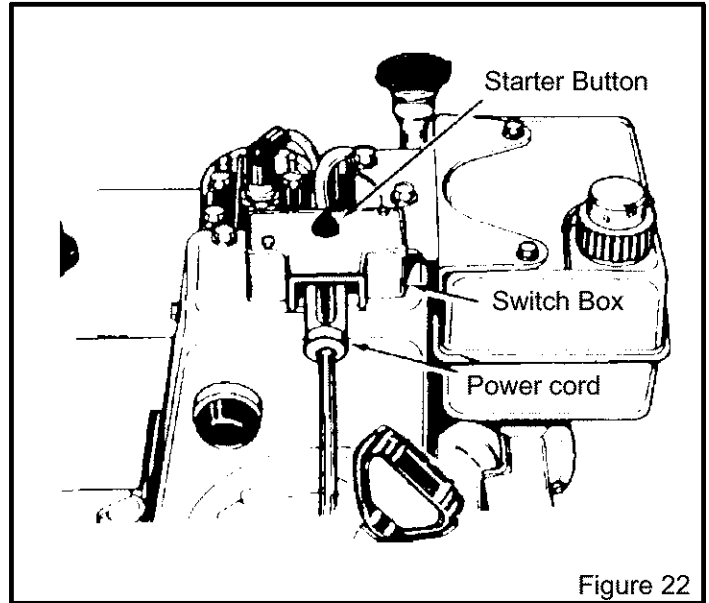


Figure 22

COLD ENGINE START (ELECTRIC STARTER) (SEE NO TAG AND FIGURE 22)

(Engine has not been run recently.)

NOTE: When using the 120 volt electric starter, do not push the primer button.

1. Be sure auger drive clutch lever and traction drive clutch lever are in the disengaged (RELEASED) position.
2. IN TEMPERATURES ABOVE 0°F (-18°C)
Move throttle control to "FAST" position.
IN TEMPERATURES BELOW 0°F (-18°C)
Move throttle control to "1/2 THROTTLE" position. Allow engine to idle at "1/2 Throttle" for five minutes to allow engine oil to warm before engaging auger drive clutch lever. Failure to allow engine oil to warm can cause damage to engine.
3. Insert key into ignition slot. Make sure it snaps into place (Figure 21). Do not turn key.
4. CHOKE KNOB must be in the off position.
5. Connect POWER CORD to SWITCH BOX (Figure 22).
6. Plug other end of POWER CORD into a three-hole, GROUNDED 120 VOLT, AC receptacle. (See WARNING at beginning of these instructions).

NOTE: Cover vent hole when pushing primer. Remove finger from primer vent hole between pushes.

7. Push the primer button as follows:
Above 50° F (10° C), DO NOT PRIME.
From 50° F (10° C) to 15°F (-10° C), PUSH TWO TIMES.
Below 15° F (-10° C), PUSH FOUR TIMES.
8. START ENGINE:

OPERATION

- a. Push STARTER BUTTON (Figure 22) to engage starter motor and crank engine.
- b. Rotate CHOKE KNOB to the on position while cranking engine.

NOTE: The electric starter is thermally protected. If overheated, the electric starter will stop automatically and can only be restarted when it has cooled to a safe temperature. A wait of approximately five to ten minutes is required.

- c. When engine starts, release the STARTER BUTTON and rotate the CHOKE KNOB gradually to the off position.
 - d. If engine falters, rotate the CHOKE KNOB immediately to the on position and then gradually to the off position.
 - e. Disconnect the POWER CORD from receptacle first, and then from the SWITCH BOX.
9. When the engine starts, release the starter button and move choke lever to "1/2 choke" position. When engine does not run smoothly, move choke lever to the off position.

NOTE: Allow the engine to warm up for several minutes before blowing snow in temperatures below 0°F.

10. Run engine at or near top speed.
11. To stop engine, move throttle control lever to stop position. Remove key. Do not turn key.

If, after following the preceding instructions, your engine fails to start, have it checked by an Authorized Sears Service Outlet.

WARM ENGINE START (ELECTRIC STARTER)

(Engine still warm from recent running.) Proceed with the following instructions.

NOTE: Warm engine may start without choking.

1. Be sure auger drive clutch lever and traction drive clutch lever are in the disengaged position, "RELEASED".

2. IN TEMPERATURES ABOVE 0°F (-18°C)
Move throttle control to "FAST" position.
IN TEMPERATURES BELOW 0°F (-18°C)
Move throttle control to "1/2 THROTTLE" position. Allow engine to idle at "1/2 Throttle" for five minutes to allow engine oil to warm before engaging auger drive clutch lever. Failure to allow engine oil to warm can cause damage to engine.
3. Insert key into ignition slot. Make sure it snaps into place (Figure 17). Do not turn key.
4. CHOKE KNOB must be in the off position.
5. Connect the POWER CORD to the SWITCH BOX (Figure 22).
6. Plug other end of POWER CORD into a three hole, GROUNDED 120VOLT, AC receptacle (See "WARNING" at beginning of these instructions).
7. START ENGINE:
 - a. Push STARTER BUTTON (Figure 22) to engage starter motor and crank engine.
 - b. While cranking, rotate the CHOKE KNOB on the engine to the on position.

NOTE: The electric starter is thermally protected. If overheated, the electric starter will stop automatically and can only be restarted when it has cooled to a safe temperature. A wait of approximately five to ten minutes is required.

- c. When the engine starts, release the STARTER BUTTON and rotate the CHOKE KNOB gradually to the off position.
 - d. If the engine falters, rotate CHOKE KNOB immediately to the on position and then gradually to the off position.
 - e. Disconnect the POWER CORD from the receptacle first and then from the SWITCH BOX.
8. Run the engine at or near top speed.
 9. To stop the engine, move the throttle control lever to the "Stop" position. Remove the ignition key. Do not turn key.

If after following the preceding instructions, your engine fails to start, have the engine checked by an Authorized Sears Service Outlet.

NOTE: Do not lose the ignition key. Key the ignition key is a safe place. The engine will not start without the ignition key.

OPERATION

OPERATING TIPS

1. For optimum snow blower efficiency, adjust ground speed, not the throttle. **REMEMBER** – if the wheels slip, forward speed will be reduced. The engine is designed to deliver optimum performance at full throttle and must be run at this power setting at all times.
2. Most efficient snowblowing is accomplished when snow is removed immediately after it falls.
3. For complete snow removal, slightly overlap each swath previously taken.
4. Snow should be discharged downwind whenever possible.
5. For normal usage, set the skids one–eighth inch (3 mm) below the scraper bar. For extremely hard–packed snow surfaces, the skids may be adjusted upward to insure cleaning efficiency.
6. On gravel or crushed rock surfaces, the skids should be set at 1–1/4 inch (32 mm) below the scraper bar (see To Adjust Skid Height, in the Adjustment/Repair section in this manual). Rocks and gravel must not be picked up and thrown by the machine.
7. After the snowblowing job has been completed, allow the engine to idle for a few minutes, to melt snow and ice accumulated on the engine.
8. Remove ice and snow accumulation from the entire snow blower to prevent obstructions and possible damage when snow blower is subsequently operated.
9. Before starting snow blower, always inspect augers and impeller for ice accumulation and/or debris, which could result in snow blower damage.
10. Check oil level before every start. fill to “SAFE” indication prior to operating snow blower.

To help avoid possible freeze–up of starter, proceed as follows:

Recoil Starter:

With engine running, pull starter rope with a rapid continuous full arm stroke three (3) or four (4) times.

NOTE: The unusual sound made by pulling starter rope will not harm the engine or the starter.

Electric Starter:

1. Connect the “POWER CORD” to the “SWITCH BOX” and then to a 120 volt AC receptacle.
2. With engine running, push the “STARTER BUTTON” and spin the starter for several seconds.

NOTE: The unusual sound made by spinning the starter rope will not harm the engine or the starter.

3. Disconnect the “POWER CORD” from the receptacle first and then from the “SWITCH BOX”.

SERVICE RECOMMENDATIONS

SERVICE RECOMMENDATIONS									
PROCEDURE		FIRST 2 HOUR	BEFORE EACH USE	OFTEN	EVERY 5 HOURS	EVERY 10 HOURS	EVERY 25 HOURS	BEGINNING EACH SEASON	BEFORE STORAGE
S N O W B L O W E R	Tighten all screws and nuts	√		√				√	
	Check Traction Clutch Cable Adjustment (See Cable Adjustment)	√						√	
	Check Auger clutch Cable Adjustment (See Cable Adjustment)	√						√	
	Adjust Drive Belts	√					√	√	
	Lubricate Chains and Hex Shaft							√	√
	Lubricate Auger Shaft (See Shear Bolt Replacement)					√			√
E N G I N E	Oil, Check		√		√			√	
	Oil, Change	√					√	√	

The warranty on this snow blower does not cover items that have been subjected to operator abuse or negligence. To receive full value from the warranty, operator must maintain snow blower as instructed in this manual. The following **Service Recommendations** is supplied to assist operator to properly maintain snow blower. This is a check list only. Adjustment referred to will be found in Adjustments/Repairs section of this manual.

AFTER EACH USE

1. Check for any loose or damaged parts.
2. Tighten any loose fasteners.
3. Check and maintain the auger.
4. After each use, remove all snow and slush off the snow blower to prevent freezing of auger or controls.
5. Check controls to make sure they are functioning properly.
6. If any parts are worn or damaged, replace immediately.

CUSTOMER RESPONSIBILITIES

Some adjustments will need to be made periodically to properly maintain your snow blower.

All adjustments in ADJUSTMENTS/REPAIRS section of this manual should be checked at least once each season.

SNOW BLOWER

The following adjustment should be performed more than once each season.

Auger and Traction Drive Belts should be adjusted after the first 2 to 4 hours of use, again about mid-season and twice each season thereafter (See To Adjust Belts paragraph in the Adjustment/Repair section).

AS REQUIRED

Auger Gear Box

The auger gear box is lubricated at the factory and should not require additional lubrication.

If for some reason the lubricant should leak out, or if the auger gear box has been serviced, add Lubriplate GR132 Grease or equivalent. Maximum 3-1/4 ounces, (92 grams) should be used.

Remove filler plug D (Figure 23 and Figure 24), once a year. If grease is visible, do not add. If grease is not visible, use a piece of fine wire, like a dipstick to check if there is grease in the gear box. Mobilux EP1 and Shell Aldania EP1 are suitable equivalents.

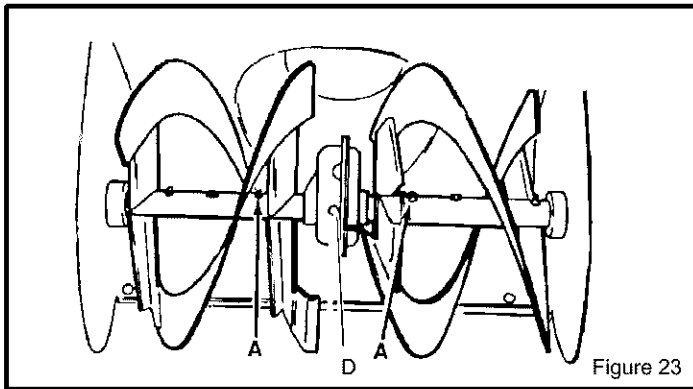


Figure 23

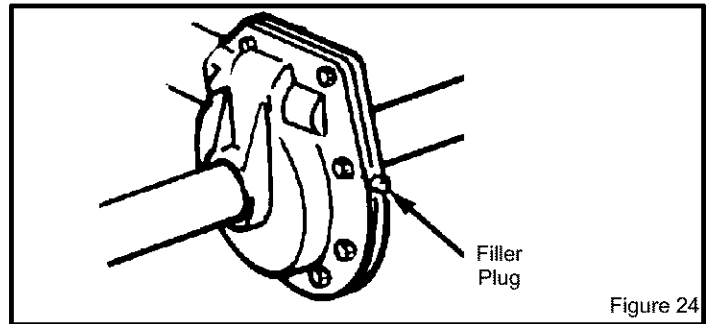


Figure 24

LUBRICATION AT STORAGE

Bearings and bushings

All bearings and bushings are lifetime lubricated and require no maintenance.

Hex shaft and chains

For storage hex shaft should be wiped with a cloth lightly moistened with motor oil to prevent rusting (see Figure 26).

For storage chains should be lubricated with a chain type lube. (see Figure 26).

NOTE: Any greasing or oiling of the above mentioned components can cause contamination of the rubber friction wheel. If the disc drive plate or friction wheel come in contact with grease or oil damage to rubber friction wheel will result .

Should grease or oil come in contact with the disc drive plate or friction wheel be sure to clean plate and wheel thoroughly with an alcohol base solvent.

LUBRICATION – EVERY 10 HOURS

1. **Auger Shaft** – Using a hand grease gun, lubricate the auger shaft zerk fittings (A) every ten (10) operating hours. Each time a shear bolt is replaced, the auger shaft **MUST** be greased (Figure 23). (See To Replace Auger Shear Bolt in the Repair/Adjustment section).
2. For storage or when replacing shear bolts, remove shear bolts and lubricate auger shaft zerks. Rotate augers several times on the shaft and reinstall the shear bolts.

CUSTOMER RESPONSIBILITIES

LUBRICATION – EVERY 25 HOURS

Disc Drive Plate

Lubricate Disc Drive Plate every twenty-five (25) hours and at the end of the season and/or before storage.

To Lubricate:

3. Position speed selector lever in first (1) forward gear.
4. Stand the snow blower up on the auger housing end.
5. Remove the bottom panel.
6. Turn disc drive plate clockwise by hand until grease zerk is clearly visible at front center (see Figure 25).
7. Place a coin or **(a shim of equal thickness)** between the rubber friction wheel and disc drive plate to prevent rubber friction wheel contacting the drive disc (see Figure 25).
8. To grease zerk, use a hand grease gun, lubricate with a Hi Temp EP Moly grease. See inset of Figure 25. **DO NOT** over fill or allow grease to come in contact with the disc drive plate or friction wheel or damage will result. Fill zerk only until grease becomes visible below bearing assembly located under grease zerk.
9. Remove coin used in step 11. Make sure that a gap exists between the friction wheel and the disc drive plate.

NOTE: Clean all excess grease or oil found on the friction disc hub.

CAUTION: Do not allow grease or oil to contact the rubber friction wheel or the disc drive plate.

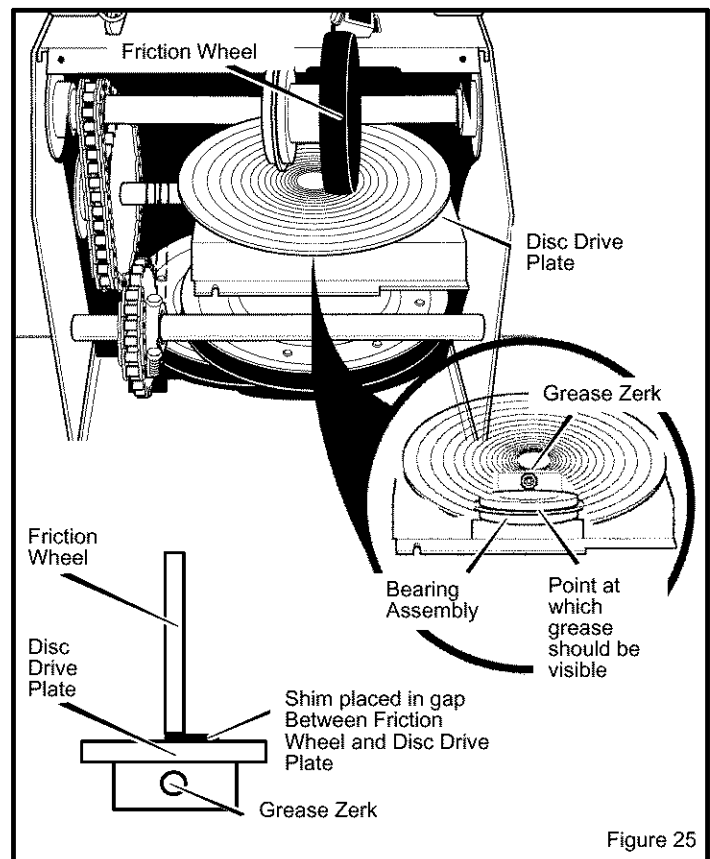


Figure 25

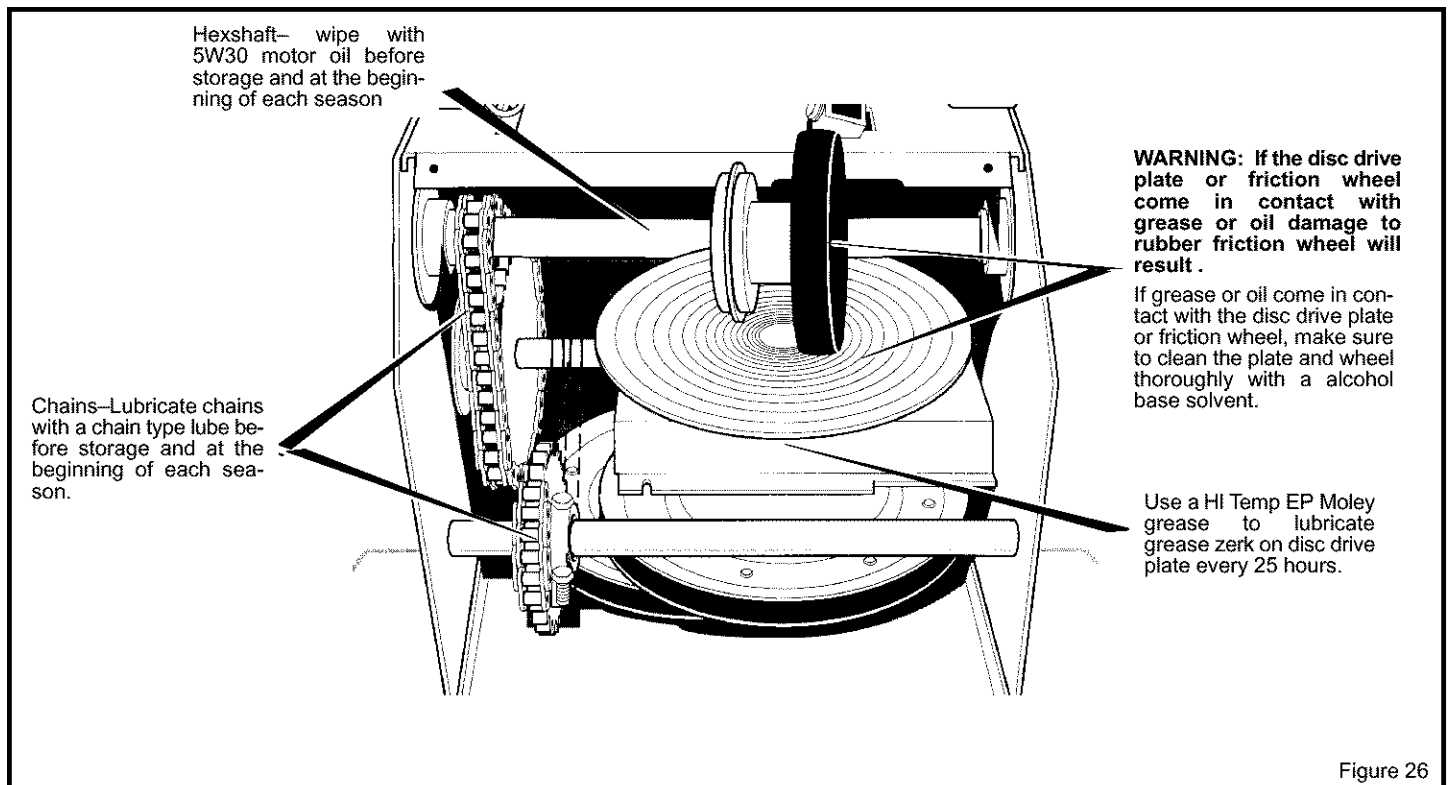


Figure 26

CUSTOMER RESPONSIBILITIES

ENGINE

Check Crankcase Oil Level before starting engine and after each 5 hours of continuous use (see Figure 27). Add proper motor oil as required.

NOTE: Overfilling the engine can affect performance. Tighten the oil fill cap securely to prevent leakage.

Change Oil every 25 hours of operation or at least once a year, even if the snow blower is not used for twenty-five hours. Use a clean, high quality detergent oil. Fill the crank case to FULL line on dipstick (see Figure 27). Be sure original container is marked: A.P.I. service "SF", "SE", "SD" or "SC". Do not use SAE10W40 oil (as it may not provide proper lubrication). See Chart for oil recommendations.

To Drain Oil – Position snow blower so that the oil drain plug is lowest point on engine. Remove oil drain plug and oil fill cap and drain oil into a suitable container (Figure 28).

NOTE: Oil will drain more freely when warm.

Replace oil drain plug and tighten securely. Refill crank case with proper motor oil or as indicated in the preceding paragraphs of this section.

SAE VISCOSITY GRADES				
		5W30		
synthetic 0W30				
°F	-20	0	20	32
°C	-30	-20	-10	0
			10	

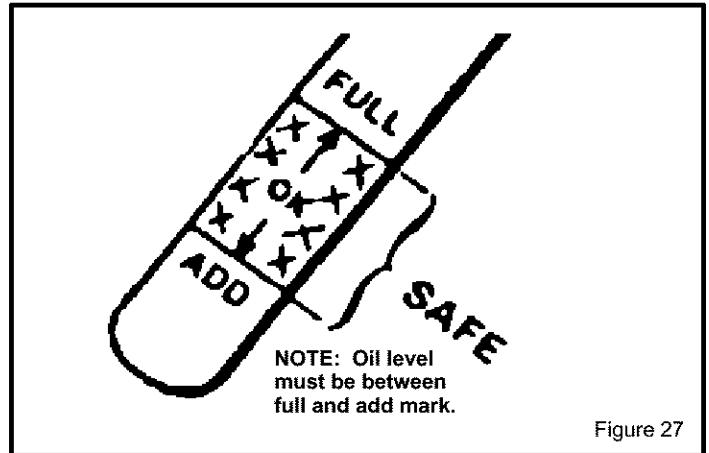


Figure 27

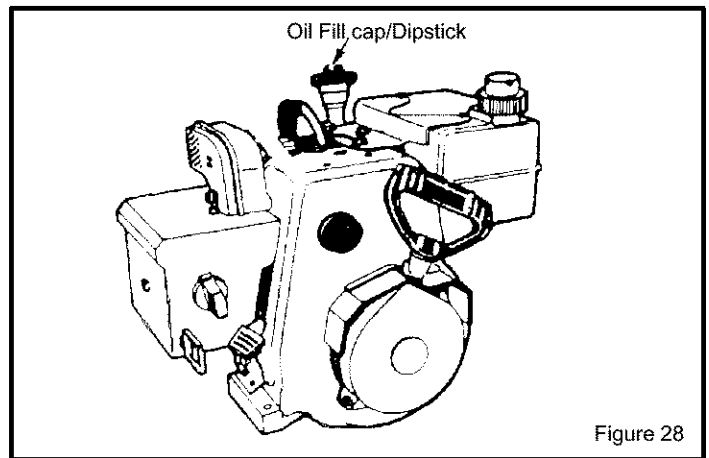


Figure 28

ADJUSTMENT/REPAIR



WARNING: Always turn unit off, remove ignition key and disconnect the spark plug wire before making any repairs or adjustments.

AUGER HOUSING HEIGHT ADJUSTMENT

TO ADJUST SCRAPER BAR

After considerable use, the metal scraper bar will have a definite wear pattern. The scraper bar in conjunction with the skids should always be adjusted to allow one-eighth of an inch (3 mm) between the scraper bar and the sidewalk or area to be cleaned.

To adjust the scraper bar, proceed as follows:

1. Position the snow blower on a level surface.
2. Loosen the carriage bolts and nuts securing the scraper bar to the auger housing.
3. Adjust the scraper bar to the proper position. Tighten the carriage bolts and nuts, insuring that the scraper bar is parallel with the working surface.
4. For extended operation, the scraper bar may be reversed. If the scraper bar must be replaced because of wear, remove the carriage bolts and nuts and install a new scraper bar.

TO ADJUST SKID HEIGHT

This snow blower is equipped with two height adjust skids, secured to the outside of the auger housing. These elevate the front of the snow blower.

When removing snow from a hard surface area such as a paved driveway or walk, adjust the skids up to bring the front of the snow blower down.

When removing snow from rock or uneven construction, raise the front of the snow blower by moving the skids down. This will help to prevent rocks and other debris from being picked up and thrown by the augers.

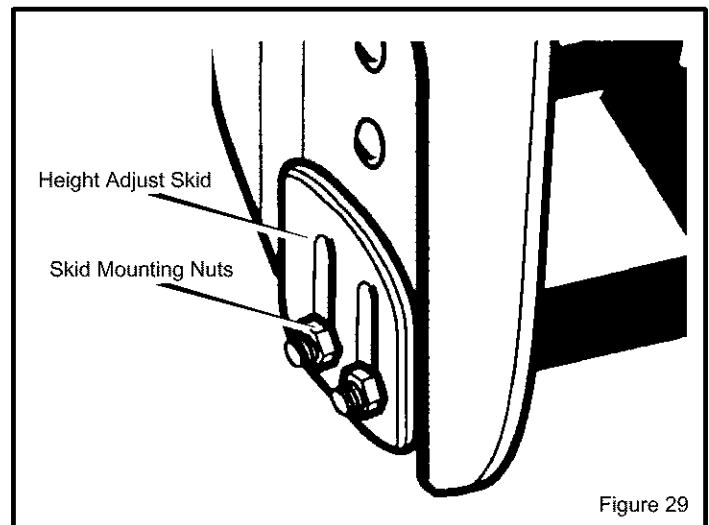
To adjust skids, proceed as follows:

1. Place a block (equal to height from ground desired) under scraper bar near but not under skid.
2. Loosen skid mounting nuts (Figure 29) and push the skid down until it touches the ground. Retighten mounting nuts.
3. Set skid on other side at same height.

NOTE: Make sure that snow blower is set at same height on both sides.



WARNING: Be certain to maintain proper ground clearance for your particular area to be cleared. Objects such as gravel, rocks or other debris, if struck by the impeller, may be thrown with sufficient force to cause personal injury, property damage or damage to the snow blower.



ADJUSTMENT/REPAIR

BELT ADJUSTMENT

Belts stretch during normal use. If you need to adjust the belts due to wear or stretch, proceed as follows.

TRACTION DRIVE BELT

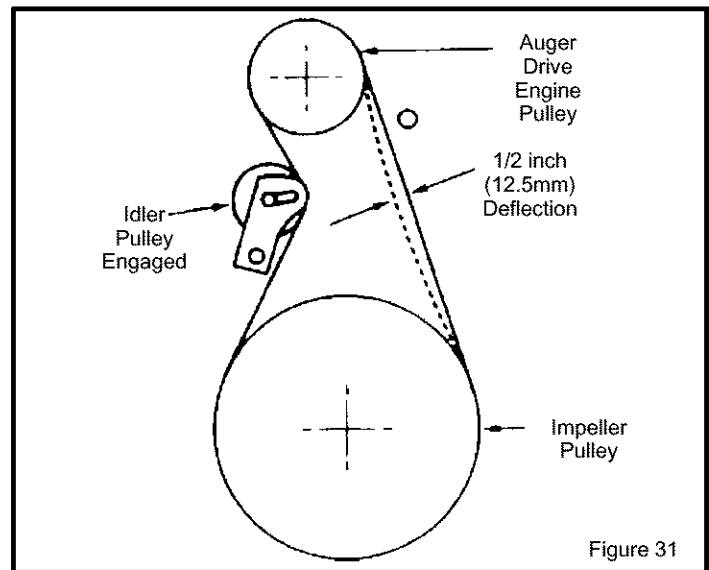
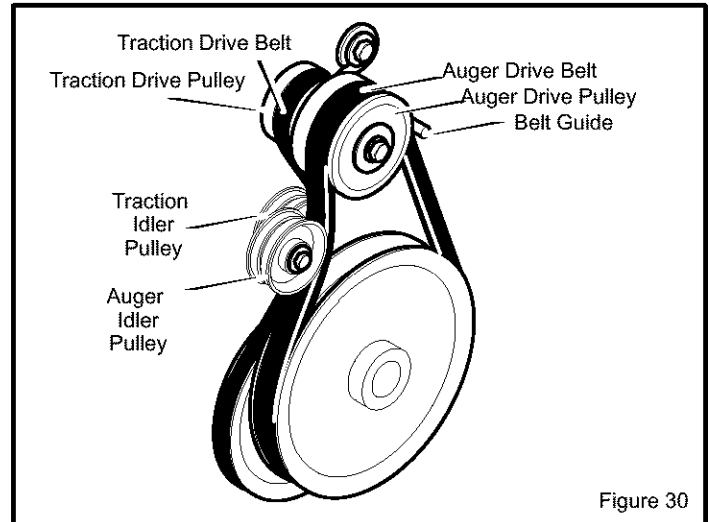
Traction drive belt has constant spring pressure and does not require adjustment.

Replace belt if it is slipping. (See "Belt Replacement" in this section of the manual).

AUGER DRIVE BELT

If your snow blower will not discharge snow, check the control cable adjustment. If it is correct, then check the condition of the auger drive belt. It may be damaged or loose. If it is damaged, replace it (see Belt Replacement in this section of the manual). If the auger drive belt is loose, adjust as follows.

1. Disconnect spark plug wire.
2. Remove belt cover.
3. Loosen nut on auger idler pulley and move auger idler pulley towards belt about 1/8 inch (3 mm) (see Figure 30).
4. Tighten nut.
5. Have someone engage auger drive clutch. Check tension on belt (opposite idler pulley). Belt should deflect about 1/2 inch (12.5 mm) with moderate pressure (Figure 31). You may have to move idler pulley more than once to obtain the correct tension.
6. Reinstall belt cover.
7. Whenever belts are adjusted or replaced, the cables will need to be adjusted. (See "Cable Adjustment" in this section of the manual).
8. Reconnect the spark plug wire.



ADJUSTMENT/REPAIR

BELT REPLACEMENT

AUGER DRIVE BELT (SEE FIGURE 30)

1. Drain the gasoline from the fuel tank by removing the fuel line. Drain the gas and reinstall the fuel line.



WARNING: Drain the gasoline outdoors, away from fire or flame.

2. Disconnect spark plug wire.
3. Remove belt cover.
4. Remove top two bolts securing auger housing to motor mount frame. Loosen bottom two bolts. See Figure 32.

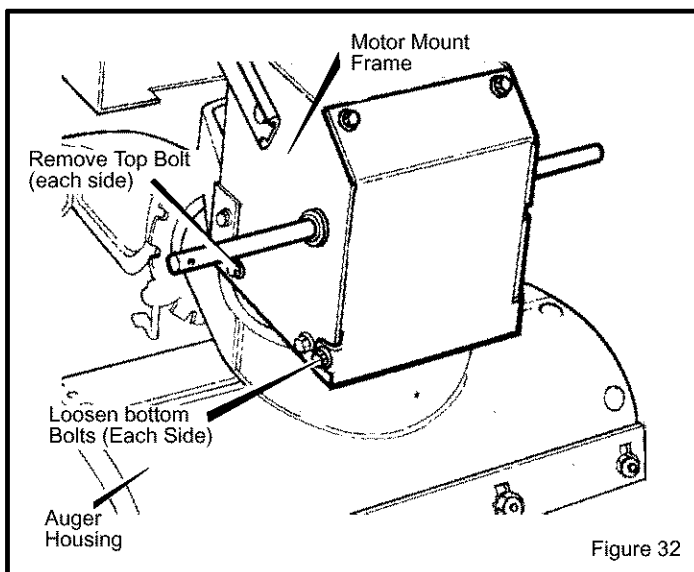


Figure 32

5. Auger housing and motor mount frame will separate, hinged by bottom two bolts.
6. Loosen belt guide and pull away from auger drive pulley. See Figure 30.
7. Loosen the nut on the auger idler pulley and pull idler pulley away from the belt. Note location of idler pulley for later re-installation.
8. Remove belt from auger drive pulley.
9. Remove belt from impeller pulley.
10. Position new belt onto impeller pulley.
11. Position new belt onto auger drive pulley.
12. Adjust auger belt. (See Belt Adjustment).
13. Adjust belt guide. (See Belt Guide Adjustment in this section of the manual).

14. Replace top two bolts. Retighten bottom two bolts. See Figure 32.

15. Reinstall belt cover.

16. Reconnect spark plug wire.

TRACTION DRIVE BELT

Traction drive belt has constant spring pressure and does not require adjustment.

1. Drain the gasoline from the fuel tank by removing the fuel line. Drain the gas and reinstall the fuel line.



WARNING: Drain the gasoline outdoors, away from fire or flame.

2. Disconnect spark plug wire.
3. Remove belt cover.
4. Remove top two bolts securing auger housing to motor mount frame. Loosen bottom two bolts. See Figure 32.
5. Auger housing and motor mount frame will separate, hinged by bottom two bolts.
6. Loosen the nut on the auger idler pulley and pull idler pulley away from the belt. Note location of idler pulley for later re-installation.
7. Loosen belt guide and pull away from auger drive pulley. See Figure 30.
8. Remove auger drive belt from auger pulley.
9. Pull traction drive belt idler pulley away from traction drive belt.
10. Remove traction drive belt.
11. Position new traction drive belt onto traction pulley.
12. Pull idler pulley away from belt, allowing belt to be positioned onto auger pulley.
13. Release idler pulley. Ensure idler pulley is properly engaged with belt.
14. Reinstall auger drive belt.
15. Adjust auger belt. (See Belt Adjustment, in this section of the manual).
16. Adjust belt guide (see Belt Guide Adjustment in this section of the manual).
17. Replace top two bolts. Retighten bottom two bolts. See Figure 32.
18. Reinstall belt cover.
19. Reconnect the spark plug wire.

ADJUSTMENT/REPAIR

BELT GUIDE ADJUSTMENT

1. Remove spark plug wire.
2. Have someone engage auger drive.
3. Measure the distance between the belt guide and belt. The distance should be 1/8 inch (3.175 mm) for guide. See Figure 33.
4. If adjustment is necessary, loosen belt guide mounting bolt. Move belt guide to the correct position. Tighten mounting bolt.
5. Reinstall belt cover.
6. Reconnect spark plug wire.

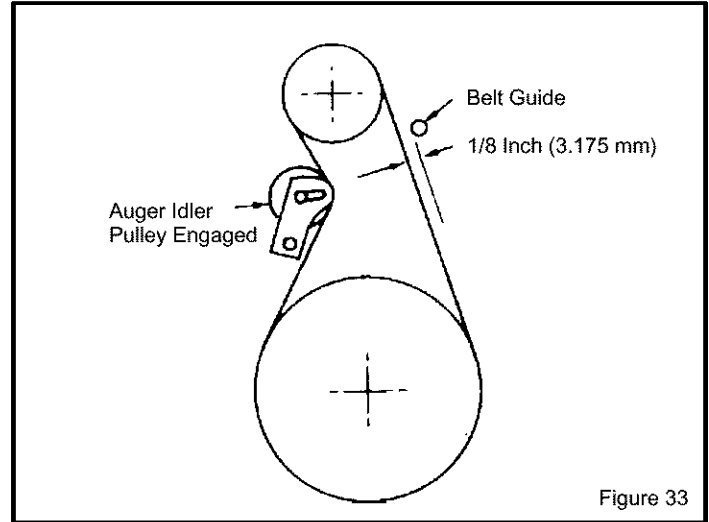


Figure 33

CABLE ADJUSTMENT – TRACTION DRIVE AND AUGER DRIVE

The cables are adjusted at the factory and no adjustment should be necessary. If the cables have become stretched or are sagging adjustment will be necessary.

Whenever belts are adjusted or replaced, the cables will need to be adjusted.

To check for correct adjustment unhook “Z” fitting at clutch lever (see Figure 34):

1. Move clutch lever to the full forward position (just contacting plastic bumper). Holding cable tight, note position of fitting to hole in clutch lever.
2. The center of the “Z” fitting should be between the centre and top of the hole in the clutch lever.

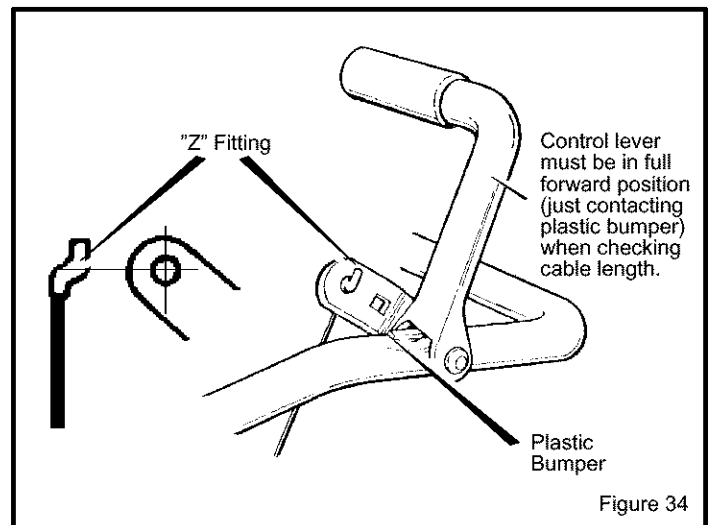


Figure 34

If Adjustment is Necessary (see Figure 35)

WARNING: Drain the gasoline outdoors, away from fire or flame.

1. Remove gas from gas tank.
2. Stand blower on end.
3. Push cable through spring to expose the threaded portion of the cable.
4. Hold square end of threaded portion with pliers and adjust locknut in or out until correct adjustment is reached. Pull cable back through spring and connect cable.

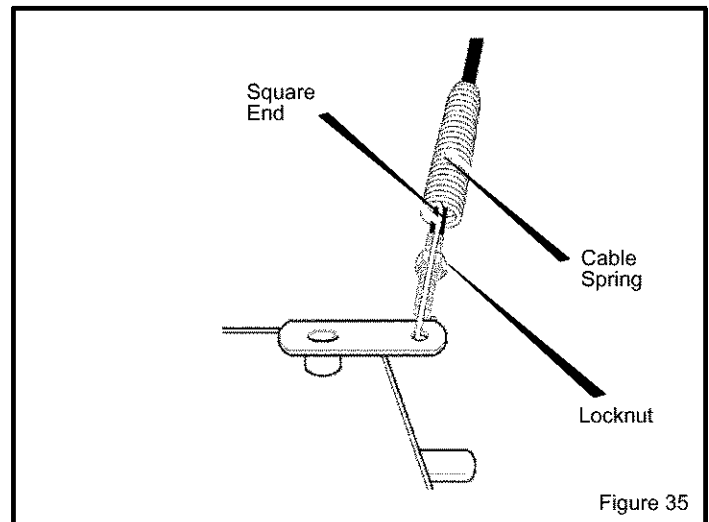


Figure 35

ADJUSTMENT/REPAIR

FRICITION WHEEL ADJUSTMENT

1. Remove bottom panels (Figure 36).
2. Position gear select lever in 1st forward gear.
3. Note position of friction wheel on disc drive plate. Proper position from the right outer side of disc drive plate to the centre of friction wheel must be 3" (76 mm) (see Figure 37).

If an adjustment is required, proceed as follows:

1. Remove washer and cotter pin connecting trunnion nut to speed rod (Figure 38).
2. Twist trunnion nut up or down on shift rod to obtain the correct friction wheel position.
3. Put end of trunnion nut through hole in speed control rod and reattach washer and cotter pin.
4. Reinstall bottom panels.

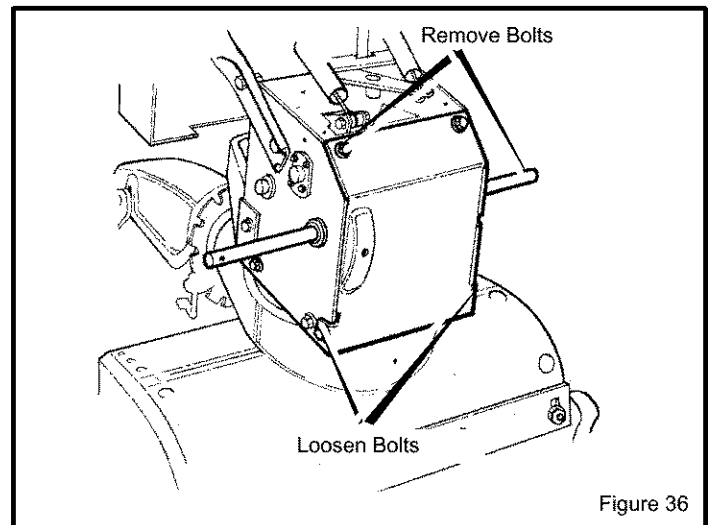


Figure 36

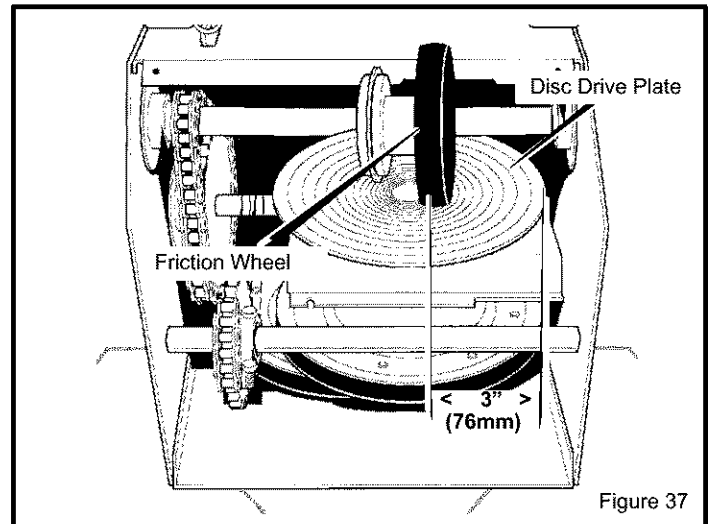


Figure 37

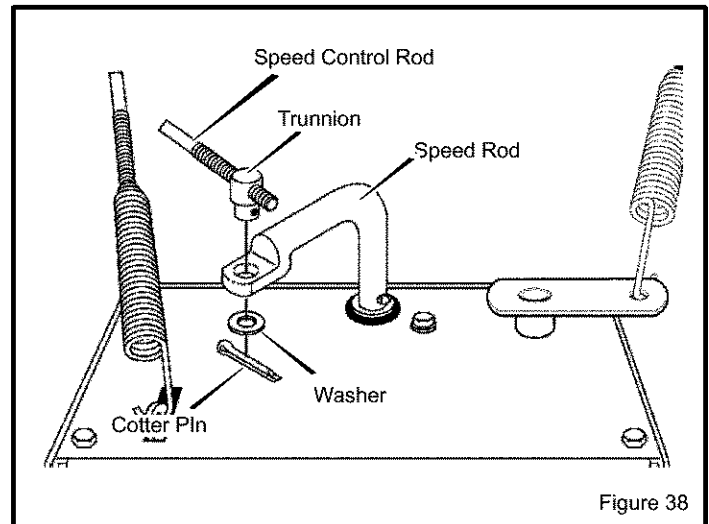


Figure 38

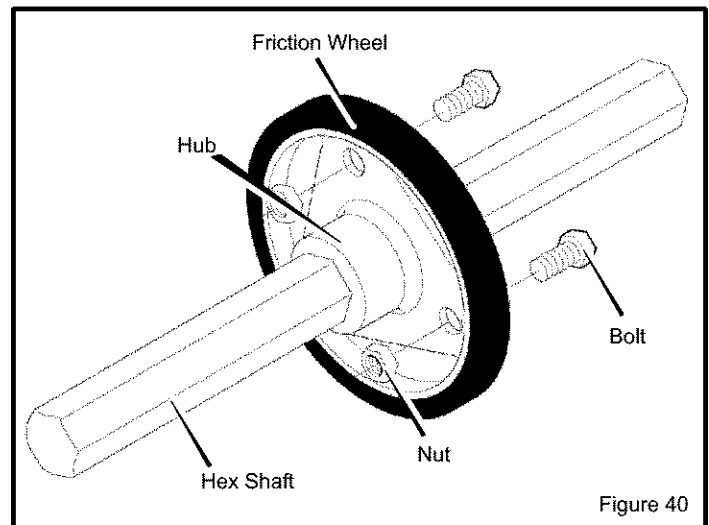
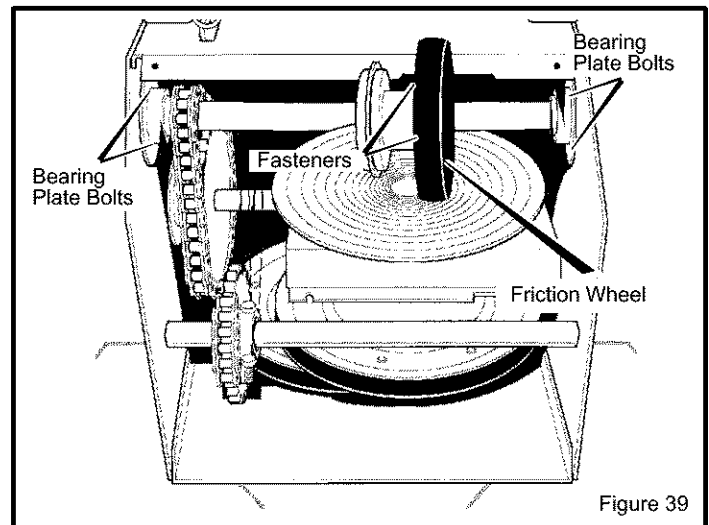
ADJUSTMENT/REPAIR

FRICITION WHEEL REPLACEMENT

1. Remove gas from gas tank.
2. Disconnect spark plug wire.
3. Stand blower up on auger housing end. Remove bottom panel.
4. Disconnect speed control rod from speed rod by removing cotter pin (see Figure 38). Keep trunnion in same position on speed control rod. Movement of the trunnion will result in speed changes.
5. Remove fasteners securing friction wheel to hub, and set fasteners aside (see Figure 39).
6. Remove four bolts securing bearing plates (both sides).
7. Remove right side bearing plate. Leave hex shaft in original position.
8. Remove friction wheel from hub. Slip friction wheel off hex shaft towards right side.
9. Position new friction wheel onto hub (see Figure 40). Install bearing plates to original position. Ensure hex shaft is engaged with both bearing plates.
10. Secure bearing plates using bolts removed earlier.
11. Secure friction wheel to hub using fasteners removed earlier. Ensure hex shaft turns freely.
12. Replace bracket to speed control lever.
13. Reconnect speed control rod to speed rod by reassembling the trunnion assembly and cotter pin.
14. Should friction wheel require adjustment see "Friction Wheel Adjustment".

NOTE: Ensure friction wheel and friction disc are free from grease or oil.

15. Reinstall bottom panel.



ADJUSTMENT/REPAIR

AUGER SHEAR BOLT REPLACEMENT

The augers are secured to the auger shaft with special bolts that are designed to break if an object becomes lodged in the auger housing. Use of a harder bolt will reduce the protection provided by the shear bolt. To replace a broken shear bolt, proceed as follows:



WARNING: To insure safety and performance levels, only original replacement shear bolts must be used.

1. Move throttle to STOP, disengage all controls, disconnect the spark plug lead wire, and insure all moving parts have stopped.
2. Lubricate the auger shaft zerk fittings (see Lubrication Points in the Maintenance section of this manual).
3. Align the hole in the auger with the hole in the auger shaft. Install new shear bolt and locknut found in toolbox located on belt cover. (See Figure 41)

SPARK PLUG ADJUSTMENT (SEE FIGURE 42)

NOTICE: This spark ignition system meets all requirements of the Canadian Interference-Causing Equipment Regulations.

NOTICE: This engine complies with all current Australian and New Zealand limitations regarding electromagnetic interference.

1. Clean spark plug and reset gap periodically.
2. Clean area around spark plug base before removal, to prevent dirt from entering engine.
3. Replace spark plug if electrodes are pitted or burned or if porcelain is cracked.
4. Clean spark plug by carefully scraping electrodes (do not sandblast or use wire brush).
5. Be sure spark plug is clean and free of foreign material. Check electrodes gap with a wire feeler gauge and reset gap to 0.030" (0.76 mm) if necessary. If a new spark plug is needed, refer to Engine Repair Parts section of this manual for proper replacement spark plug.

6. Before installing spark plug, coat threads lightly with graphite grease to insure easy removal.
7. Tighten plug firmly into engine. If torque wrench is available, torque plug to 18–23 ft-lbs.

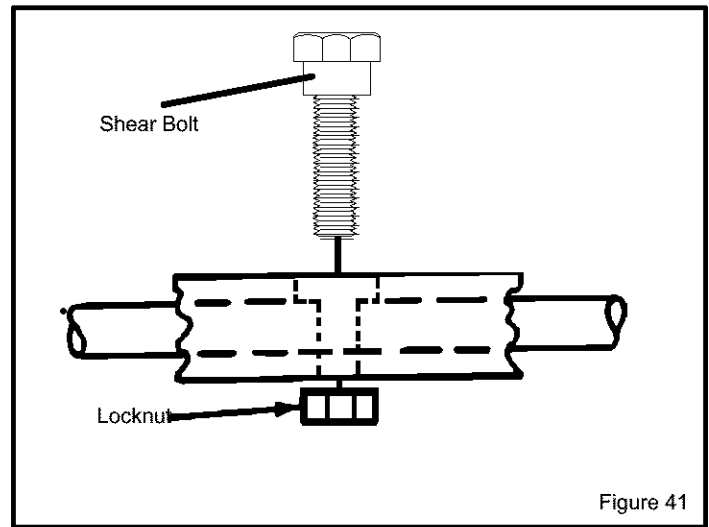


Figure 41

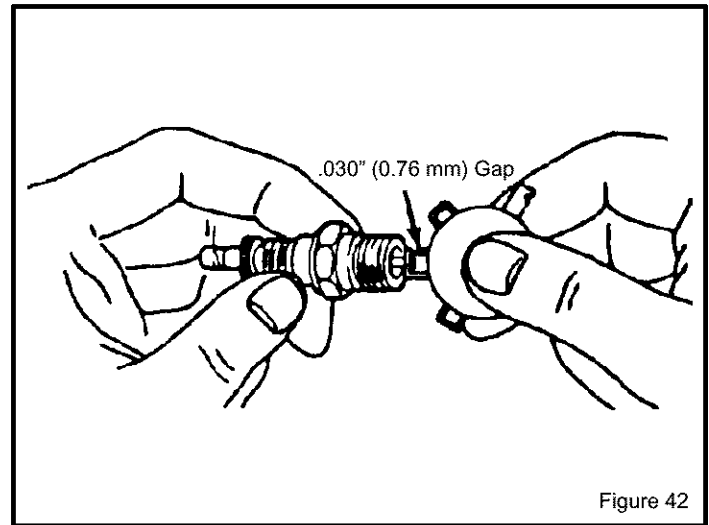


Figure 42

STORAGE

OFF-SEASON STORAGE



WARNING: Never store engine with fuel in tank indoors or in enclosed, poorly ventilated enclosures, where fuel fumes may reach an open flame, spark or pilot light as on a furnace, water heater, clothes dryer, etc.
Handle gasoline carefully. It is highly flammable and careless use could result in serious fire damage to your person and /or property.
Drain fuel into approved containers outdoors, away from open flame.

If the snow blower is to be stored for thirty (30) days or more at the end of the snow season, the following steps are recommended to prepare your snow blower for storage.

NOTE: Gasoline must be removed or treated to prevent gum deposits from forming in the tank, filter, hose, and carburetor during storage.

1. To remove gasoline, run engine until tank is empty and engine stops. Then drain remaining gasoline from carburetor by pressing upward on bowl drain located on the bottom of carburetor (see Figure 43).



WARNING: Drain gasoline outdoors, away from fire or flame.

If you do not want to remove gasoline use the fuel stabilizer supplied with unit. Add fuel stabilizer to any gasoline left in the tank to minimize gum deposits and acids. If the tank is almost empty, mix stabilizer with fresh gasoline in a separate container and add some to the tank. ALWAYS FOLLOW INSTRUCTIONS ON STABILIZER CONTAINER. THEN RUN ENGINE AT LEAST 10 MINUTES AFTER STABILIZER IS ADDED TO ALLOW MIXTURE TO REACH CARBURETOR. STORE SNOW BLOWER IN SAFE PLACE.

2. You can help keep your engine in good operating condition by changing oil before storage.

3. Lubricating the piston/cylinder area. This can be done by first removing the spark plug and squirting clean engine oil into the spark plug hole. Then cover the spark plug hole with a rag to absorb oil spray. Next, rotate the engine by pulling the starter two or three times. Finally, reinstall spark plug and attach spark plug wire.
4. Thoroughly clean the snow blower.
5. Lubricate all lubrication points (see Lubrication, see Customer Responsibilities).
6. Insure that all nuts, bolts, and screws are securely fastened. Inspect all visible moving parts for damage, breakage, and wear. Replace if necessary.
7. Touch up all rusted or chipped paint surfaces; sand lightly before painting.
8. Cover the bare metal parts of the blower housing auger, and the impeller with rust preventative.
9. If possible, store your snow blower indoors and cover it to give protection from dust and dirt.
10. If the machine must be stored outdoors, block up the snow blower and insure the entire machine is off the ground. Cover the snow blower with a heavy tarpaulin.

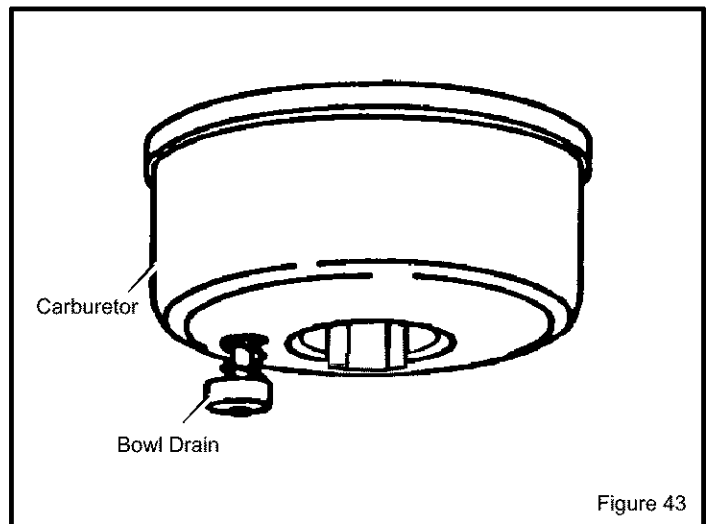


Figure 43

TROUBLE SHOOTING CHART

PROBLEM	LOOK FOR	REMEDY
Difficult starting	Defective spark plug.	Replace defective spark plug.
Engine runs erratically	Blocked fuel line.	Clean fuel line.
	Empty gas tank.	Check fuel supply,
	Stale gasoline.	Add fresh gasoline.
	Water or dirt in fuel system.	Remove carburetor bowl to drain fuel tank. Refill with fresh fuel. CAUTION: Do not remove carburetor bowl when the engine is hot.
Engine stalls	Unit running on CHOKE.	Set choke lever to RUN position.
Loss of power	Gas cap vent hole is plugged.	Remove ice and snow from cap. Be sure vent hole is clear.
Excessive vibration	Loose parts or damaged impeller.	Stop engine immediately and remove spark plug wire. Tighten all bolts and make all necessary repairs. If vibration continues, have the unit serviced by a competent repairman.
Unit fails to propel itself	Drive belt loose or damaged.	Replace drive belt. Refer to Drive Belt Replacement in Adjustments/Repairs section of this manual.
	Incorrect adjustment of traction drive cable.	Adjust traction drive cable. Refer to Cable Adjustment in Adjustments/Repairs section of this manual.
	Worn or damaged friction disc.	Replace friction disc. Refer to Friction Wheel Replacement in Adjustments/Repairs section of this manual.
Unit fails to discharge snow	Auger drive belt loose or damaged.	Replace or adjust auger drive belt. Refer to Drive Belt Replacement and Drive Belt Adjustment in Adjustments/Repairs section of this manual.
	Auger control cable not adjusted correctly.	Adjust auger control cable. Refer to Cable Adjustment in Adjustments/Repairs section of this manual.
	Broken shear bolt.	Replace shear bolt. Refer to Auger Shear Bolt Replacement in Adjustments/Repairs section of this manual.
	Discharge chute clogged.	Stop engine immediately and disconnect spark plug wire. Refer to the first Warning in Snow blower Operation in Operation section of this manual. Clean discharge chute and inside of auger housing.
	Foreign object lodged in auger.	Stop engine immediately and disconnect spark plug wire. Refer to the third Warning in Snow blower Operation in Operation section of this manual. Remove object from auger.

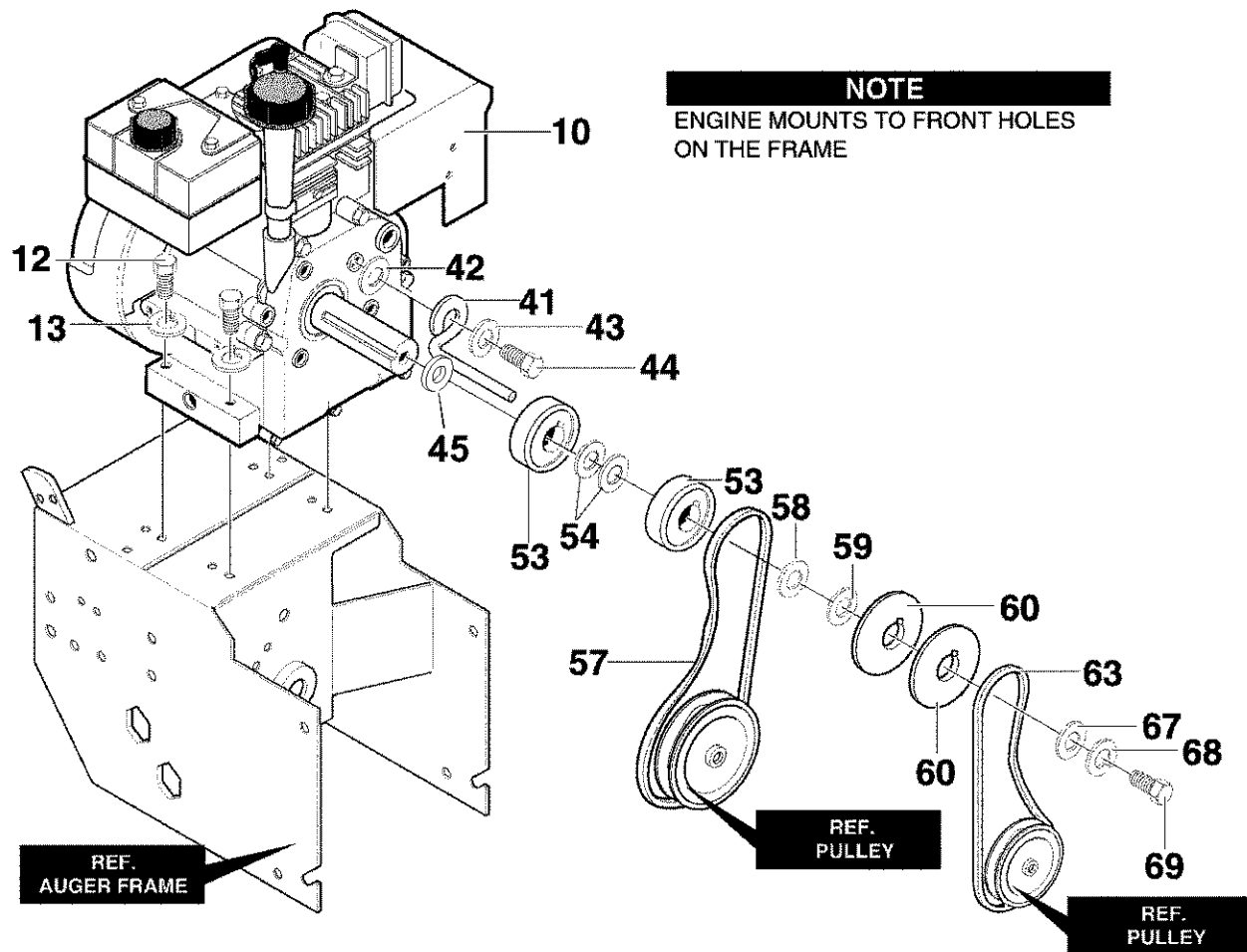
Identifying Your Snow blower

Your new Snow blower has two (2) identifying numbers: (1) unit model number: (2) unit serial number. The two preceding numbers are required to insure that the proper replacement parts are obtained when required. If you have any questions concerning parts, service, or technical data, contact your nearest Sears Service Department.

For complete warranty information refer to the warranty in the Owner's Information section of this manual.

**CRAFTSMAN 31" SNOW BLOWER C950-52930-0
CRAFTSMAN 31" CHASSE-NEIGE C950-52930-0**

**REPAIR PARTS
PIÈCES DE RECHANGE
ENGINE / MOTEUR**



NOTE
ENGINE MOUNTS TO FRONT HOLES
ON THE FRAME

**Key No.
N° sur le
schéma**

Description

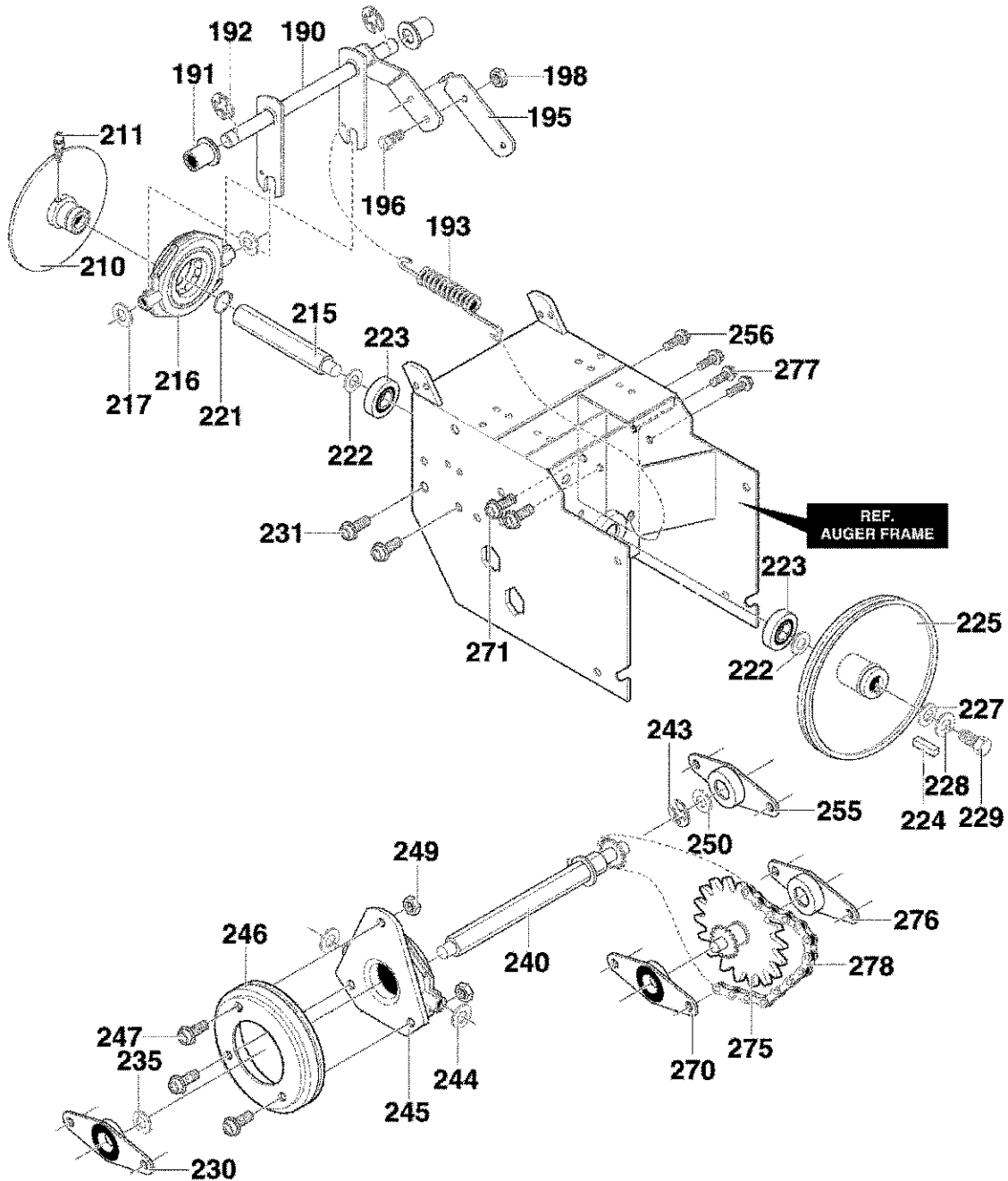
- 10 11HP (See Engine Manual)
- 12 SCREW, 5/16-18
- 13 WASHER, SPTLK .31X.58X.08
- 41 GUIDE, ROD BELT
- 42 PLASTIC WASHER
- 43 WASHER, SPTLK .31X.58X.08
- 44 SCREW, 5/16-24X 1.00
- 45 SPACER
- 53 PULLEY, HALF
- 54 WASHER, FLAT .752X.91X.02
- 57 BELT, V 3L 33.13 LG
- 58 FLATWASHER .765X1.12X.06
- 59 SPACER, SLEEVE
- 60 PULLEY, ENGINE
- 63 BELT, V 4L 38.1 LG
- 67 WASHER, FLAT .375X1.25X.104
- 68 WASHER,HVSPTLK .38ID
- 69 SCREW, 3/8-24X1.00
- OWNER'S MANUAL

Description

- MOTEUR 11HP
- VIS, 5/16-18
- RONDELLE-FREIN
- GUIDE DE COURROIE, DROITE
- RONDELLE, PLASTIQUE
- RONDELLE-FREIN
- VIS, 5/16-24X 1,00
- ENTRETOISE
- POULIE
- RONDELLE PLATE ,752X,91X,02
- COURROIE, V 3L 33.13 L
- RONDELLE PLATE ,765X1,12X,06
- ENTRETOISE
- POULIE, MOTEUR V4L
- COURROIE, V 4L 38.1 L
- RONDELLE PLATE ,375X1,25X,104
- RONDELLE-FREIN
- VIS, 3/8-24X1,00
- MANUEL D'UTILISATION

**Part No.
N° de pièce**

- ENGINE
- 710024
- 71060
- 3949
- 6711
- 71060
- 910828
- 762291
- 579854
- 579861
- 579932
- 712120
- 586251
- 586253
- 585416
- 50677
- 71063
- 71015
- F-001008J

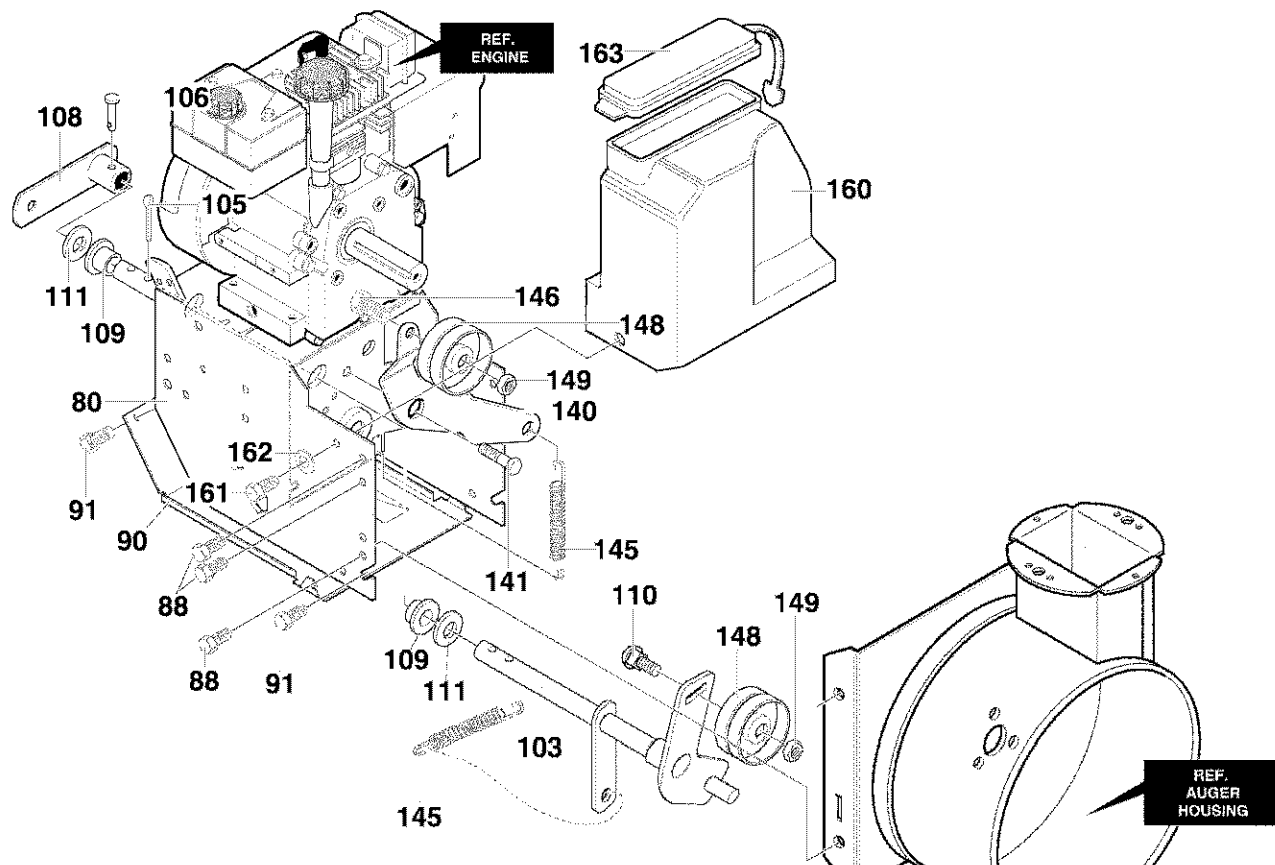


CRAFTSMAN 31" SNOW BLOWER C950-52930-0 REPAIR PARTS
CRAFTSMAN 31" CHASSE-NEIGE C950-52930-0 PIÈCES DE RECHANGE
DRIVE COMPONENTS / BÂTI DE MONTAGE DU MOTEUR

Key No. N° sur le schéma	Description	Description	Part No. N° de pièce
190	LEVER, ASSY TRACTION CLUTCH	LEVIER, COMMANDE DE EMBRAYAGE	761820
191	BEARING, FLANGE	PALIER	53703
192	RING, RET E	CIRCLIP	20864
193	SPRING, RETURN	RESSORT DE RAPPEL D'EMBRAYAGE	53818
195	LEVER, SPRING	LEVIER DE RESSORT DE COMMANDE DES ROUES	579937
196	SCREW, 1/4-20X .63	VIS, 1/4-20X,63 PO.	11871
198	NUT, 1/4-20 REGHEXCTRLK	ÉCROU, 1/4-20	73826
210	DISC, ASSY	DISQUE DE COMMANDE DES ROUES	583163-853
211	ZERK, GREASE	GRAISSEUR	583206
215	SHAFT, HEX TRACTION	ARBRE HEXAGONAL DE COMMANDE DES ROUES	583155
216	BEARING, TRUNION	PALIER DE TOURILLON	85501
217	FLATWASHER, .53 X1.00X.063	RONDELLE PLATE ,53X1,00X,063	71074
221	RING, RETEX	CIRCLIP	73811
222	FLATWASHER, .680X1.12X.060	RONDELLE PLATE ,680X1,12X,060	580969
223	BEARING, BALL	ROULEMENT À BILLE	43846
224	KEY, SQUARE	CLAVETTE	71371
225	PULLEY, V3L 6.50X .56	POULIE, V3L 6,50X,56	580961
227	FLATWASHER, .281X1.00X.063	RONDELLE PLATE ,281X1,00X.063	712123
228	WASHER, SPLIT .26X.50X.06	RONDELLE FENDUE	71059
229	SCREW, 1/4-20X .75 HHC	VIS, 1/4-20X,75	302628
230	BEARING & RETAINER	PALIER & CIRCLIP	334163
231	SCREW, 5/16-18X .50	VIS, 5/16-18X,50 PO.	780055
235	WASHER,.502X .75X.0605	RONDELLE ,502X,75X,0605	579858
240	HEX, ASSY#40-8T W/PBRG	HEXAGONAL MONTAGE #40-8T	579897
243	RING, RETEX	CIRCLIP	783002
244	FLATWASHER, .53 X1.00X.063	RONDELLE PLATE ,53X1,00X,063	71074
245	BEARING, TRUNION	PALIER DE TOURILLON	337029
246	WHEEL, ASSY FRICTION	PLATEAU DE FRICTION ROUE	53830
247	SCREW, 1/4-20X .63	VIS, 1/4-20X,63	11871
249	NUT, 1/4-20 HEXKEPS	ÉCROU, 1/4-20	303008
250	WASHER,.502X .75X.0605	RONDELLE ,502X,75X,0605	579858
255	BEARING & RETAINER	PALIER & CIRCLIP	334163
256	SCREW, 5/16-18X .50	VIS, 5/16-18X,50	780055
270	BEARING & RETAINER	PALIER & CIRCLIP	334163
271	SCREW, 5/16-18X .50	VIS, 5/16-18X,50 PO.	780055
275	JACK, ASSY#41-36/7	HEXAGONAL MONTAGE #41-36T/7T	761789
276	BEARING & RETAINER	PALIER & CIRCLIP	334163
277	SCREW	VIS, 5/16-18X,50	780055
278	CHAIN ROLLER	CHAÎNE, CYLINDRIQUE #42X40P	579867
	LINK, CHAIN MASTER	ÉNTREPRENEUR DE CHAÎNON	760504

**CRAFTSMAN 31" SNOW BLOWER C950-52930-0
CRAFTSMAN 31" CHASSE-NEIGE C950-52930-0**

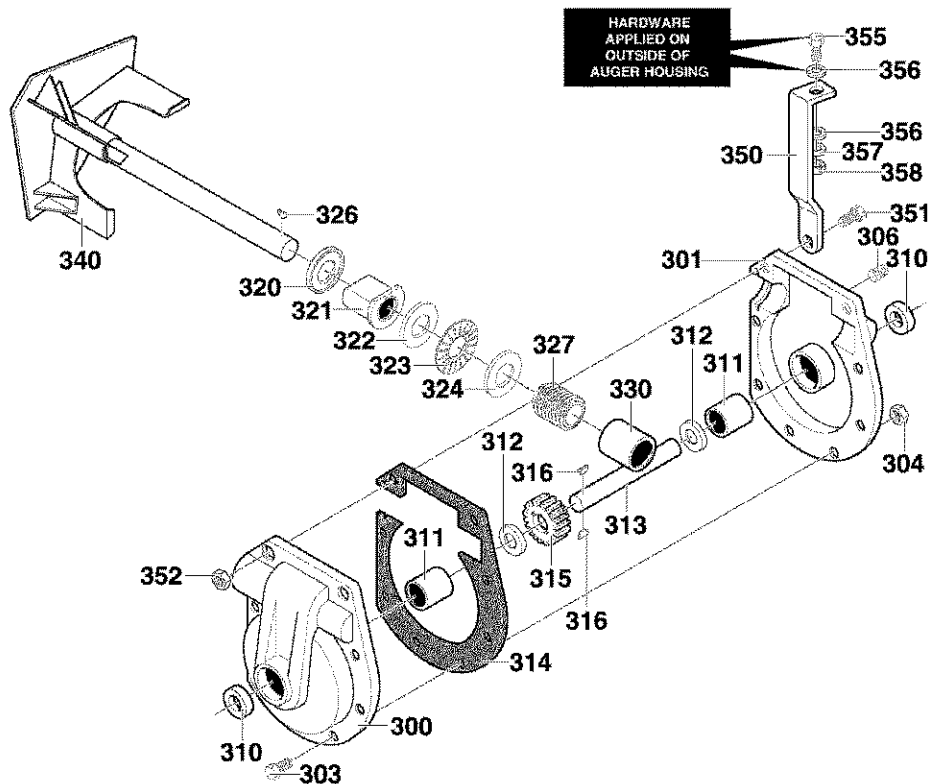
**REPAIR PARTS
PIÈCES DE RECHANGE
FRAME COMPONENTS / BÂTI**



Key No. N° sur le schéma	Description	Description	Part No. N° de pièce
80	FRAME ASSY	BÂTI DE MONTAGE	761703-848
88	SCREW, 5/16-18X .50	VIS, 5/16-18X,50 PO.	780055
90	COVER, BOTTOM	PANNEAU INFÉRIEUR	583031-853
91	SCREW, 1/4-20X .63	VIS, 1/4-20X,63 PO	310169
103	IDLER ASSEMBLY	MONTAGE, POULIE DE TENSION	762296
105	PIN, HAIR .38DIAx1.64LG	GOUPILLE, FENDUE	711682
106	PIN, KLIK 3/16" DIA	GOUPILLE À ANNEAU	761761
108	ASSY., SPRING ATTACH	MONTAGE, RESSORT ATTACHEMENT	761766
109	BEARING, FL.	PALIER	53703
110	BOLT, 3/8-16X1.25 CARR.	VIS 3/8-16X1,25 PO.	585781
111	WASHER, FLAT	RONDELLE PLATE	711617
140	LEVER, IDLER ARM TRACTION	LEVIER DE POULIE DE TENSION	761701
141	BOLT, .625X.135 HSH 5/16-18	BOULON, .625X,135 5/16-18	329989
145	IDLER SPRING TRACTION DRIVE	RESSORT DE POULIE DE TENSION	53704
146	SCREW, 3/8-16X1.25	VIS, 3/8-16X1,25 PO	761760
148	PULLEY, IDLER	POULIE DE TENSION	50793
149	NUT, 3/8-16	ÉCROU 3/8-16	590
160	COVER, BELT	COUVERCLE DE COURROIE	760478
161	SCREW, 1/4-20X .63	VIS, 1/4-20X,63	310169
162	WASHER, FLAT	RONDELLE PLATE, .281X,63X,065	71067
163	LID, BELT COVER	COUVERCLE DE COURROIE	760539

**CRAFTSMAN 31" SNOW BLOWER C950-52930-0
CRAFTSMAN 31" CHASSE-NEIGE C950-52930-0**

**REPAIR PARTS
PIÈCES DE RECHANGE
GEAR CASE / BOÎTER**



**Key No.
N° sur le
schéma**

Description

300	CASE, GEAR, RH
301	CASE, GEAR, LH
303	SCREW, 5/16-24X1,00
304	NUT, 5/16-24
306	PIPE PLUG
310	SEAL, OIL
311	BEARING, SLEEVE
312	WASHER, FLAT 1.00X1.54X.09
313	SHAFT, AUGER OUTPUT
314	GASKET, GEAR BOX
315	WORM GEAR
316	KEY, WOODRUFF #91
320	RING, QUAD
321	BEARING, FL
322	WASHER, FLAT
323	BEARING, ROLL
324	WASHER, FLAT
326	KEY
327	WORM GEAR
330	BEARING, SLEEVE
340	IMPELLER
350	BRACE, GEAR BOX
351	SCREW 5/16-24X1.75
352	NUT, 5/16-24 HEXWDFLLK
355	SCREW, 5/16-18X1.25
356	WASHER, FLAT .349X.69X.066
357	WASHER, SPTLK .31X.58X.08
358	NUT, 5/16-18 REGHEX
*	10oz TUBE LUBRIPLATE

Description

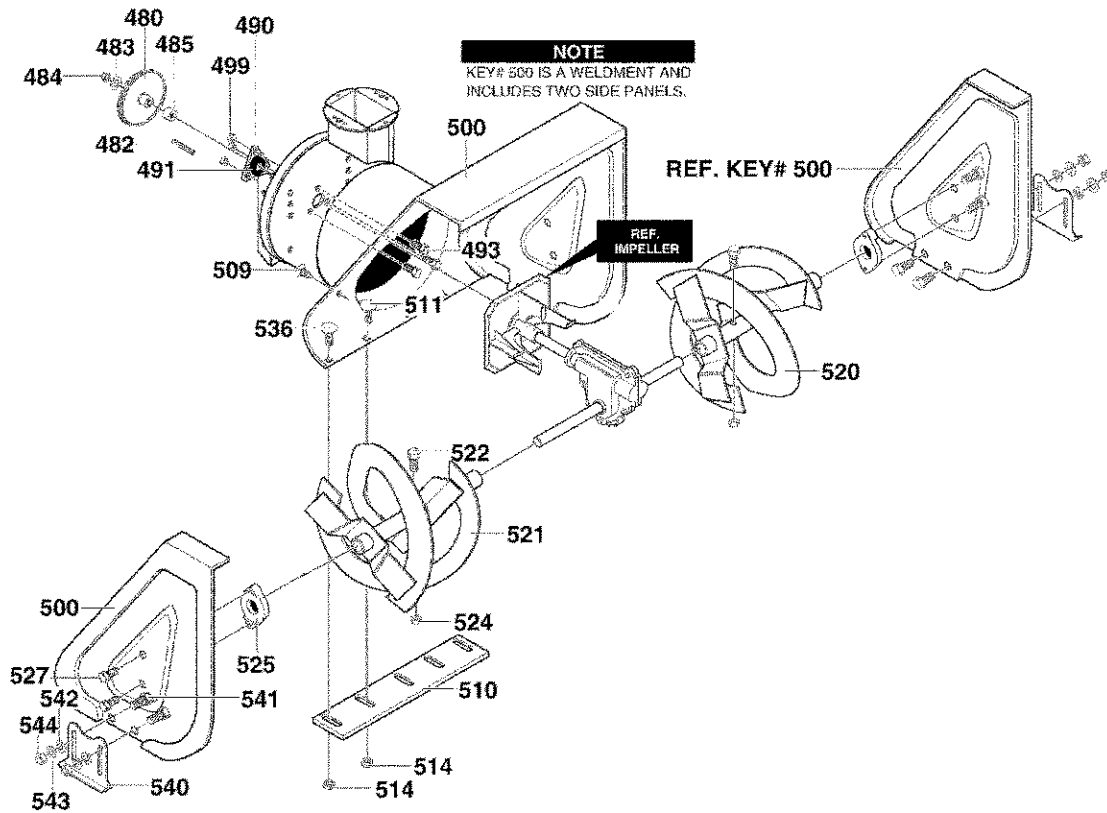
BOÎTER CÔTÉ DROIT	896
BOÎTER CÔTÉ GAUCHE	895
VIS, 5/16-24X1,00 PO.	910828
ÉCROU, 5/16-24	71100
BOUCHON	53749
JOINT À LÈVRE	780151
PALIER	53743
RONDELLE PLATE	53748
ARBRE DE VIS SANS FIN	760409
JOINT , BOÎTER DE RENVOI	897
PIGNON	53730
CLAVETTE DEMI-LUNE No. 91	73905
BAGUE	53737
PALIER	583126
RONDELLE, PLATE	48275
PALIER	50684
RONDELLE, PLATE	48275
CLAVETTE	50795
PIGNON	53732
PALIER	53731
ARBRE DE LA TURBINE	761609-853
ATTACHE, BOÎTER DE RENVOI	5524
VIS, 5/16-24X1,75 PO	1441
ECROU, 5/16-24	71100
VIS, 5/16-18X1,25 PO	302636
RONDELLE PLATE ,349X,69X,066	71071
RONDELLE, ,31X,58X,08	71060
ECROU, 5/16-18	71037
10oz LUBRIPLATE	333431

* (NOT ILLUSTRATED)

* (NON ILLUSTRÉ)
37

**CRAFTSMAN 31" SNOW BLOWER C950-52930-0
CRAFTSMAN 31" CHASSE-NEIGE C950-52930-0**

**REPAIR PARTS
PIÈCES DE RECHANGE
AUGER HOUSING / VIS SANS FIN**



Key No. N° sur le schéma	Description	Description	Part No. N° de pièce
480	PULLEY, V 4L 8.40	POULIE, V 4L 8.40	583146
482	KEY, SQUARE	CLAVETTE	71371
483	WASHER, FLAT	RONDELLE, PLATE	71074
484	NUT, 1/2-20 REGHXCTRLK	ÉCROU, 1/2-20	712121
485	SPACER, SLEEVE .676X1.00X.053	ENTRETOISE ,676X1,00X,053	334514
490	RETAINER, BALL BRNG	CIRCLIP, ROULEMENT À BILLE	582960
491	BEARING, BALL	ROULEMENT À BILLE	43846
493	SCREW, 5/16-18X .75	VIS, 5/16-18X,75	313676
499	NUT, 5/16-18 HEXWDFLLK	ÉCROU, 5/16-18	710026
500	HOUSING, ASSY	BOÎTER DE VIS SANS FIN	761881-848
509	PLUG	BOUCHON	760040
510	BLADE, SCRAPER	BORD D'ATTAQUE	760665-853
511	BOLT, 5/16-18 X .75	BOULON, 5/16-18 X ,75 PO	340720
514	NUT, 5/16-18	ÉCROU, 5/16-18	710026
520	AUGER, ASSY, LH	VIS SANS FIN, CÔTÉ GAUCHE	760322-853
521	AUGER, ASSY, RH	VIS SANS FIN, CÔTÉ DROITE	760312-853
522	BOLT, .467X.235 HHSH5/16-18	BOULON, ,467X,235 5/16-18	578647
524	NUT, 5/16-18 REGHEXCTRLK	ÉCROU, 5/16-18	71391
525	AUGER SHAFT BEARING	BAGUE DE L'ARBRE DE LA VIS SANS FIN	53757
527	SCREW, 5/16-18X .75	VIS, 5/16-18X,75	70984
536	BOLT, 5/16-18X.75 CARR.	BOULON, 5/16-18X,75	340720
540	SKID, HEIGHT ADJUST	PATIN	762376-853
541	CARR. BOLT, 5/16-18X.75	BOULON, 5/16-18X,75 PO.	340720
542	FLATWASHER .349X.69X.066	RONDELLE PLATE ,349X,69X,066	71071
543	WASHER, SPTLK .31X.58X.08	WASHER FREIN ,31X,58X,08	71060
544	NUT, 5/16-18 REGHEX	ÉCROU, 5/16-18	71037

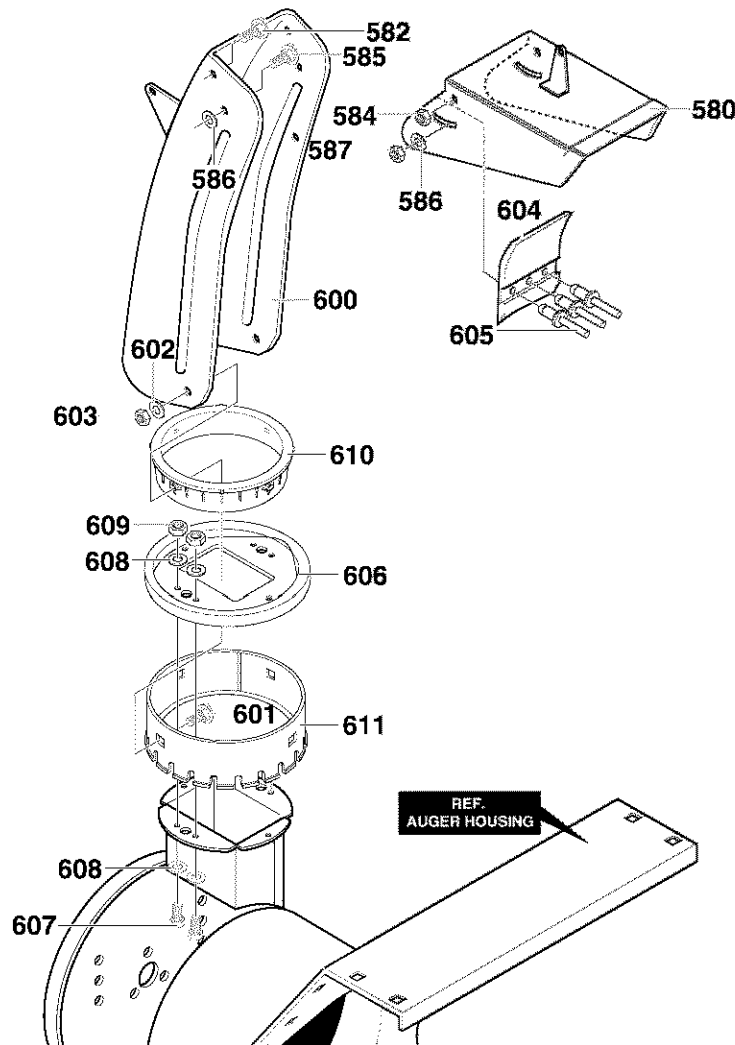
CRAFTSMAN 31" SNOW BLOWER C950-52930-0

REPAIR PARTS

CRAFTSMAN 31" CHASSE-NEIGE C950-52930-0

PIÈCES DE RECHANGE

DISCHARGE CHUTE / DÉFLECTEUR DE GOULOTTE



**Key No.
N° sur le
schéma**

Key No. N° sur le schéma	Description
580	CHUTE, UPPER W/REMOTE
582	SCREW, 5/16-18 X.75
584	NUT
585	SCREW, 5/16-18 X.75
586	PLASTIC WASHER
587	NUT
600	CHUTE, LOWER W/REMOTE
601	BOLT
602	WASHER, FLAT
603	NUT
604	FLAP
605	RIVET
606	CHUTE COLLAR
607	SCREW
608	WASHER, FLAT
609	NUT
610	RETAINER, RING INNER
611	RETAINER, RING OUTER

Description

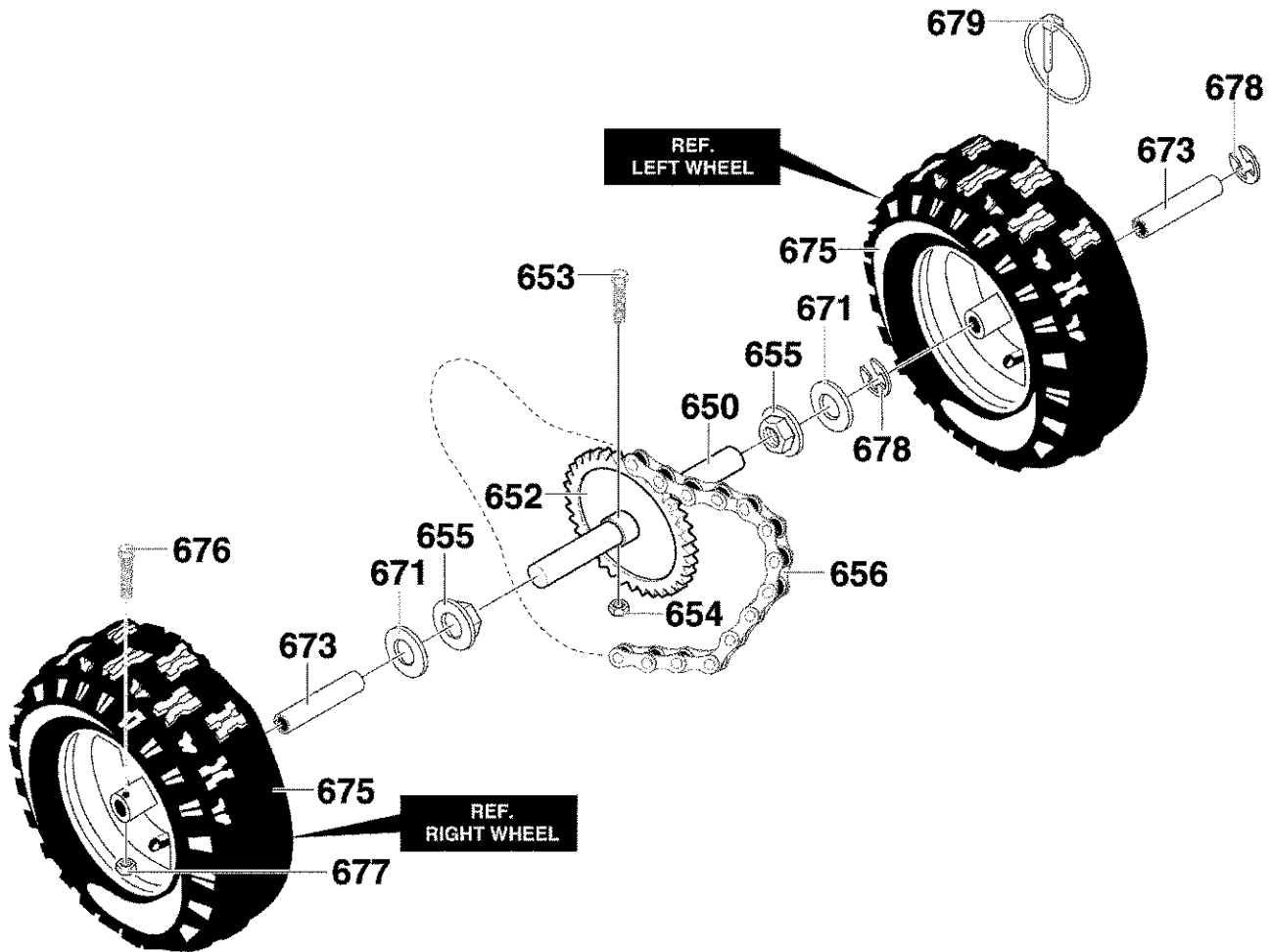
Description
DÉFLECTEUR DE GOULOTTE, SUPERIEURE
VIS, 5/16-18 X.75 PO.
ÉCROU
VIS, 5/16-18 X.75 PO.
RONDELLE EN PLASTIQUE
ÉCROU
DÉFLECTEUR DE GOULOTTE, INFÉRIURE
BOULON
RONDELLE PLATE
ÉCROU
BATTEMENT
RIVET
COLLIER DE COURONNE
VIS
RONDELLE PLATE
ÉCROU
COURONNE INTÉRIEURE
COURONNE EXTÉRIEURE

**Part No.
N° de pièce**

Part No. N° de pièce
761168-853
578088
71038
578088
6711
71038
761169-853
586280
71071
71038
762322
760987
585214-853
302628
71067
780029
337227
585193

CRAFTSMAN 31" SNOW BLOWER C950-52930-0
CRAFTSMAN 31" CHASSE-NEIGE C950-52930-0

REPAIR PARTS
PIÈCES DE RECHANGE
WHEELS / ROUE



Key No.
N° sur le
schéma

Description

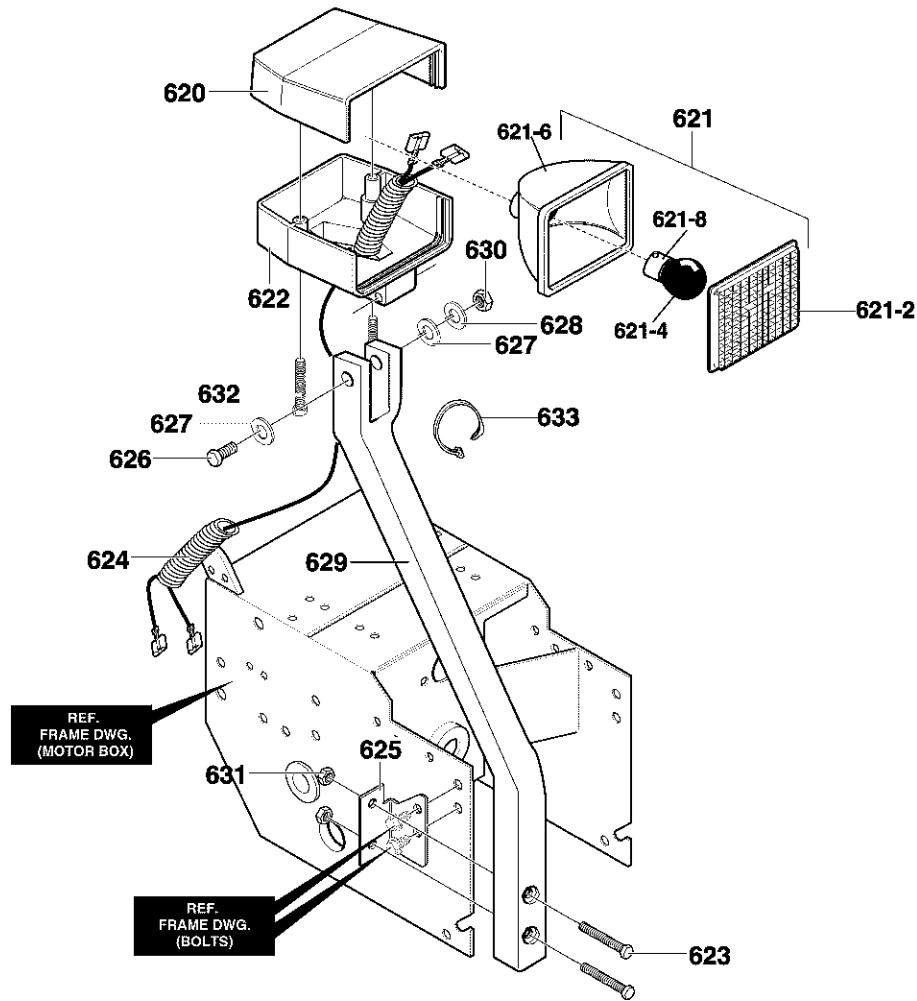
Description

Part No.
N° de pièce

650	SHAFT, AXLE	D'ARBRE, ROUE	583017
652	SPRKT & HUB	ROUE DENTÉE MONTAGE	583007
653	SCREW, 1/4-20X2.25	VIS, 1/4-20X2.25 PO.	73839
654	NUT, 1/4-20 HEX NYLOCK	ÉCROU, 1/4-20	780029
655	BRNG, FL	PALIER	581730
656	CHAIN, ROLLER	CHAÎNE, CYLINDRIQUE	583013
	LINK, CHAIN MASTER	ÉNTREPRENEUR DE CHAÎNON	760504
671	FLATWASHER .765X1.12X.06	RONDELLE PLATE, .765X1.12X.08	712120
673	BUSHING, WHEEL	PALIER	585591
675	TIRE & RIM	ROUE MONTAGE	584633
676	SCREW, 1/4-20X1.75 HH	VIS, 1/4-20X1,50 PO.	577015
677	NUT, 1/4-20 HEX NYLOCK	ÉCROU, 1/4-20	780029
678	RING, RET	RONDELLE DE RETENUE	239
679	PIN, KLIK .25 X 1.38 DIA	GOUPILLE À ANNEAU	73842

**CRAFTSMAN 31" SNOW BLOWER C950-52930-0
CRAFTSMAN 31" CHASSE-NEIGE C950-52930-0**

**REPAIR PARTS
PIÈCES DE RECHANGE
HEADLIGHT / MONTAGE DU PHARE**



**Key No.
N° sur le
schéma**

Description

Description

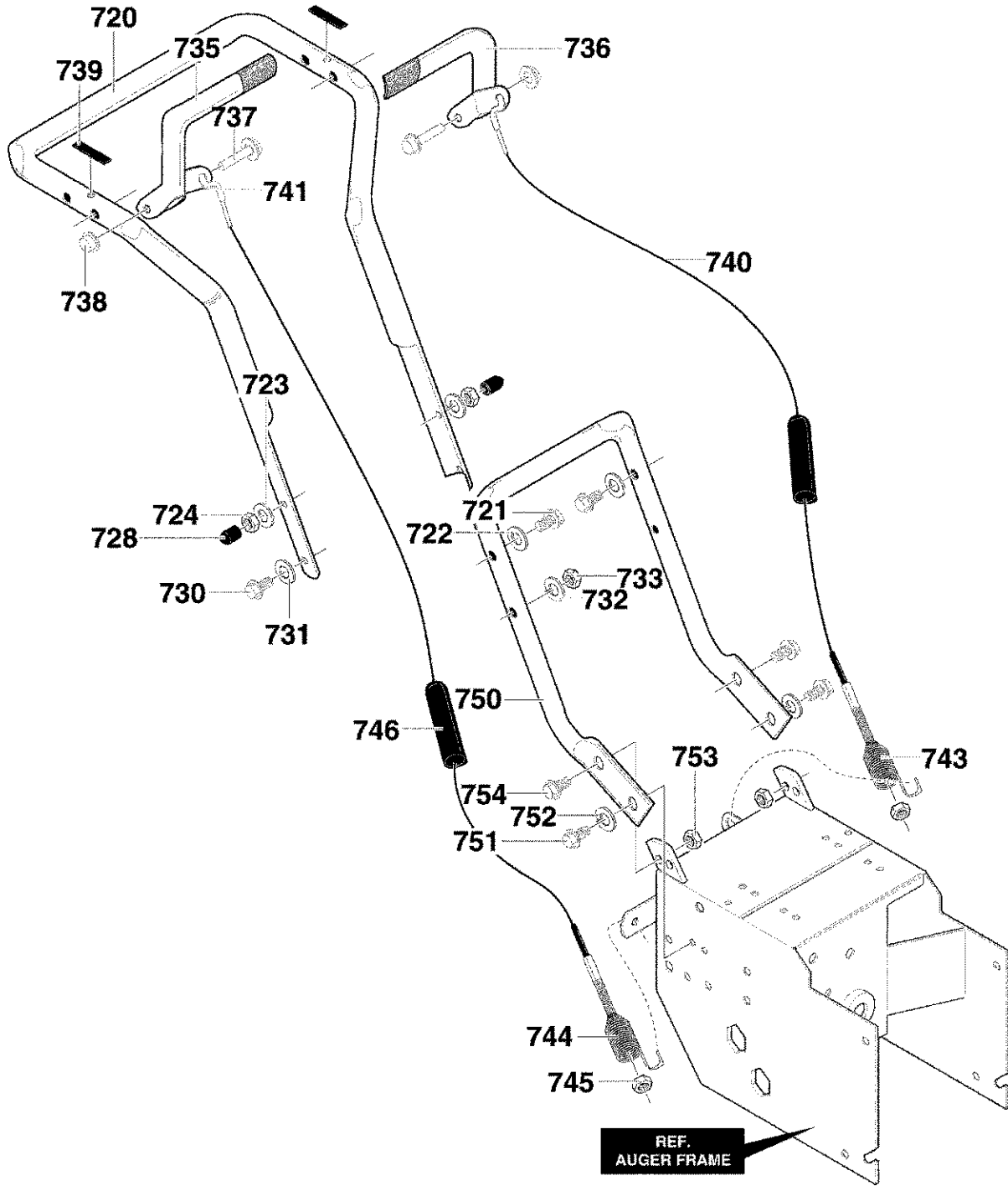
**Part No.
N° de pièce**

620	HOUSING, HEADLIGHT UPPER	BOÎTER SUPÉRIEUR DU PHARE	583490
621	HEADLIGHT, ASSY	MONTAGE DU PHARE	581575
621-2	LENS, CLEAR FLOOD	LENTILLE, CLAIR	309789
621-4	BULB, 1156 12.8V	BULBE, 1156	581576
621-6	BACK METALIZED	ARRIÈRE	309792
621-8	SOCKET, ASM. BULB	EMBOITURE, MONTAGE BULBE	309793
622	HOUSING, HEADLIGHT LOWER	BOÎTER INFÉRIEUR DU PHARE	583491
623	SCREW, 1/4-20X1.25	VIS, 1/4-20X1,25 PO.	313674
624	WIRING HARNESS	FILS ÉLECTRIQUES DU PHARE	760745
625	BRACKET, LIGHT SUPPORT BAR	SUPPORT DU PHARE	760821-853
626	SCREW, 5/16-18X2.75	VIS, 5/16-18X2,75	11234
627	WASHER, FLAT .349X.69X.066	RONDELLE, PLATE ,349X,69X,066	71071
628	WASHER, SPTLK	RONDELLE, FENDUE	71060
629	BRACKET, MOUNT BAR LIGHT	SUPPORT MONTER DU PHARE	760482
630	NUT, 5/16-18 REGHEX	ÉCROU, 5/16-18	71037
631	NUT, 1/4-20 HEX NYLOCK	ECROU 1/4-20	780029
632	SCREW, #8X1.75	VIS, #8X1,75 PO	307781
633	CABLE TIE	CABLE DE BRIDE	57444

NEED PARTS? VISIT [HTTP://WWW.MANUALBUDDY.COM/PARTS](http://www.ManualBuddy.com/parts)

**CRAFTSMAN 31" SNOW BLOWER C950-52930-0
CRAFTSMAN 31" CHASSE-NEIGE C950-52930-0**

**REPAIR PARTS
PIÈCES DE RECHANGE
HANDLE / POIGNÉE**



**CRAFTSMAN 31" SNOW BLOWER C950-52930-0
CRAFTSMAN 31" CHASSE-NEIGE C950-52930-0**

**REPAIR PARTS
PIÈCES DE RECHANGE
HANDLE / POIGNÉE**

Key No. N° sur le schéma	Description	Description	Part No. N° de pièce
720	HANDLE, UPPER LOOP	PARTIE SUPÉRIEURE DU GUIDON	310614-853
721	SCREW, 3/8-16X3.00	VIS, 3/8-16 X 3,00 PO	7288
722	WASHER, FLAT	RONDELLE, PLATE	71072
723	WASHR, SPLTLCK	RONDELLE, FREIN	71062
724	NUT, 3/8-16	ÉCROU, 3/8-16	71044
728	STOP, PLASTIC	BUTÉE EN PLASTIQUE	7289
730	SCREW, 3/8-16X2.00	VIS, 3/8-16 X 2,00	71007
731	WASHER, FLAT	RONDELLE, PLATE	71072
732	WASHR, SPLTLCK	RONDELLE, FREIN	71062
733	NUT, 3/8-16	ÉCROU, 3/8-16	71044
735	SET OF CLUTCH HANDLE RH & LF	POIGNÉE D'EMBRAYAGE, CÔTÉ DROIT ET GAUCHE	304914
736	SET OF CLUTCH HANDLE RH & LF	POIGNÉE D'EMBRAYAGE, CÔTÉ DROIT ET GAUCHE	304914
737	PIVOT CLUTCH PIN	AXE DE PIVOT	760074
738	PUSH ON CAP	ÉCROU BORGNE	3535
739	BUMPER, RECTANGLE	BUTÉE	4049
740	CABLE, CLUTCH 28.44L	CÂBLE D'EMBRAYAGE	1579
741	CABLE, AUGER CLUTCH 25.5	CÂBLE, VIS SANS FIN D'EMBRAYAGE	761589
743	TENSION SPRING	RESSORT	579869
744	SPRING, AUGER CLUTCH	RESSORT D'EMBRAYAGE DE LA VIS SANS FIN	1673
745	NUT, 1/4-20	ÉCROU, 1/4-20	780029
746	BOOT, CLUTCH SPRING	RESSORT D'EMBRAYAGE DE LA VIS SANS FIN	308146
750	HANDLE, LOWER	PARTIE, INFÉRIEURE DU GUIDON	5543-853
751	SCREW, 5/16-18X.75	VIS, 5/16-18X,75	70984
752	WASHER, HVSPTLK	RONDELLE FREIN	71060
753	NUT, 5/16-18	ÉCROU, 5/16-18	71391
754	SCREW, 5/16-18X.75	VIS, 5/16-18X,75	70984

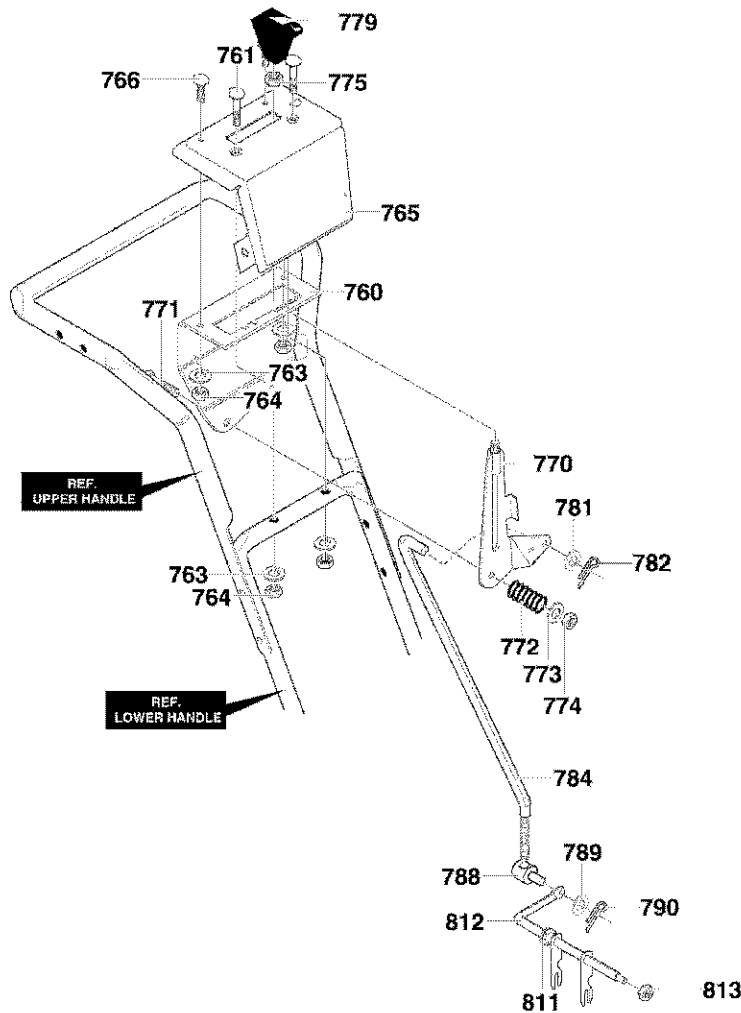
CRAFTSMAN 31" SNOW BLOWER C950-52930-0

REPAIR PARTS

CRAFTSMAN 31" CHASSE-NEIGE C950-52930-0

PIÈCES DE RECHANGE

CONTROL PANEL / PANNEAU DE COMMANDE



Key No.
N° sur le
schéma

Description

760	BRACKET, SHIFT CONTROL
761	CARR. BOLT, 1/4-20X.63
763	WASHER, HVSPTLK
764	NUT, 1/4-20 REGHEX
765	CONTROL PANEL
766	CARR. BOLT, 1/4-20X2.00
770	SHIFT LEVER ASSY
771	SCREW, 5/16-18X1.75
772	SPRING
773	FLATWASHER .349X.69X.066
774	NUT, 5/16-18 HEXNYL
775	NUT, 3/8-16 HEXJAM
779	KNOB, SHIFT
781	WASHER, FLAT .349X.69X.066
782	PIN, COTTER
784	ROD, SPEED CONTROL
788	NUT, TRUNNION 5/16-24
789	WASHER, FLAT .349X.69X.066
790	PIN, COTTER
811	FLANGED BEARING
812	ROD ASSY, YOKE PANEL
813	NUT, 3/8-16 HEX CTRLK

Description

SUPPORT DU LEVIER DE COMMANDE	308905-853
BOULON, 1/4-20X.63	3809
RONDELLE-FREIN	71059
CONTRE-ÉCROU 1/4-20	71034
PANNEAU DE COMMANDE	761973-848
BOULON, 1/4-20X2,00 PO.	762148
LEVIER DE COMMANDE MONTAGE	305260-853
VIS, 5/16-18X1,75 PO.	302900
RESSORT	50786
RONDELLE PLATE ,349X,69X,066	71071
ÉCROU INDESSERRABLE 5/16-18	71038
ÉCROU, 3/8-16	71045
POMMEAU	304437
RONDELLE PLATE	71071
GOUPILLE, FENDUE	71081
TIGE DE COMMANDE DE VITESSE	761668
ÉCROU, TOURILLON 5/16-24	584593
RONDELLE PLATE, ,349X 69X,066	71071
GOUPILLE, FENDUE	71081
PALIER	579944
LEVIER DE CHANGEMENT DE VITESSE	337436
ÉCROU, 3/8-16	71111

Part No.
N° de pièce

NEED PARTS? VISIT [HTTP://WWW.MANUALBUDDY.COM/PARTS](http://www.manualbuddy.com/parts)

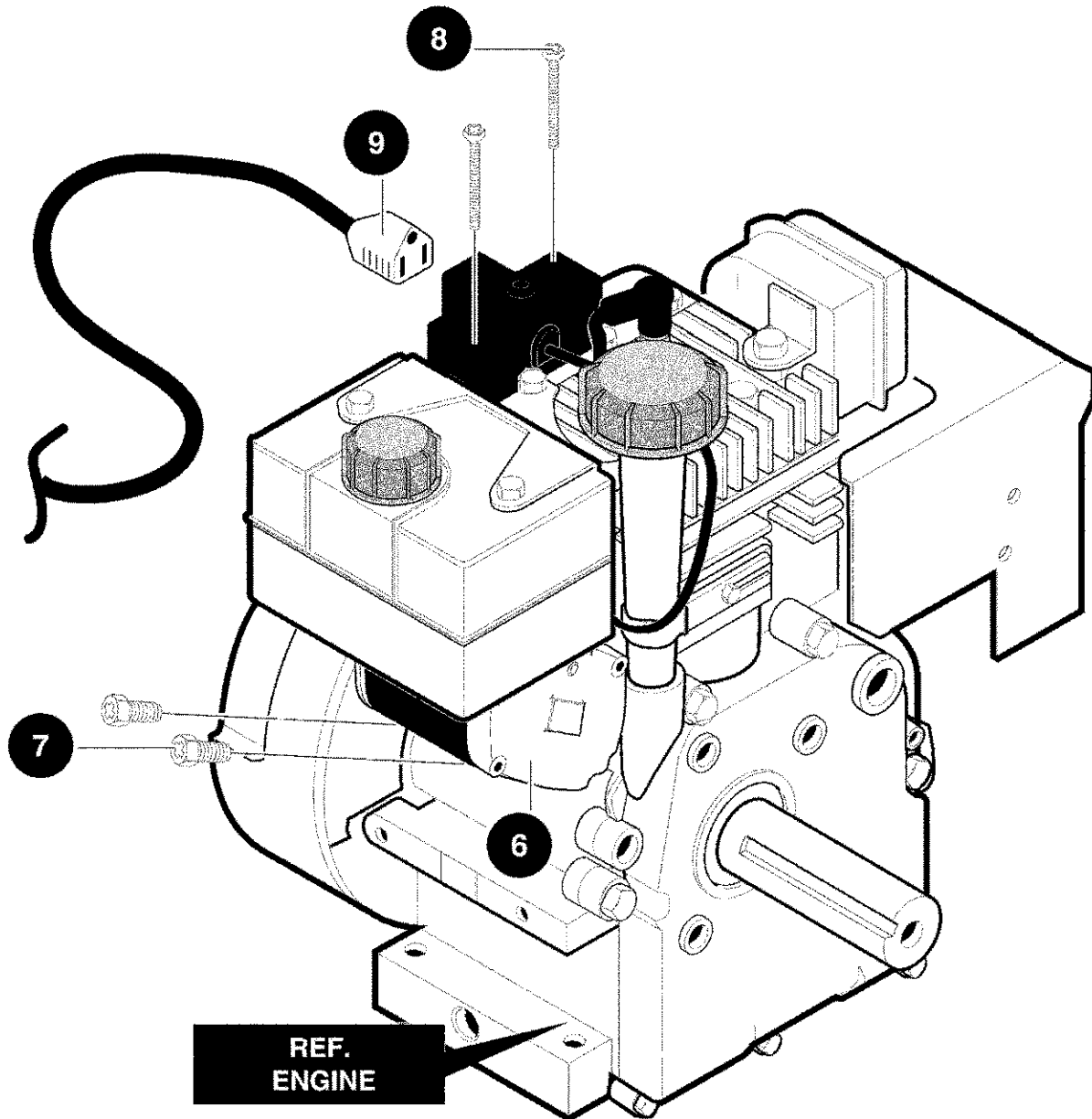
CRAFTSMAN 31" SNOW BLOWER C950-52930-0

REPAIR PARTS

CRAFTSMAN 31" CHASSE-NEIGE C950-52930-0

PIÈCES DE RECHANGE

ELECTRIC STARTER / ELECTRIQUE



**Key No.
N° sur le
schéma**

Description

- 6 MOTOR, STARTER
- 7 SCREW
- 8 SCREW
- 9 CORD, STARTER

Description

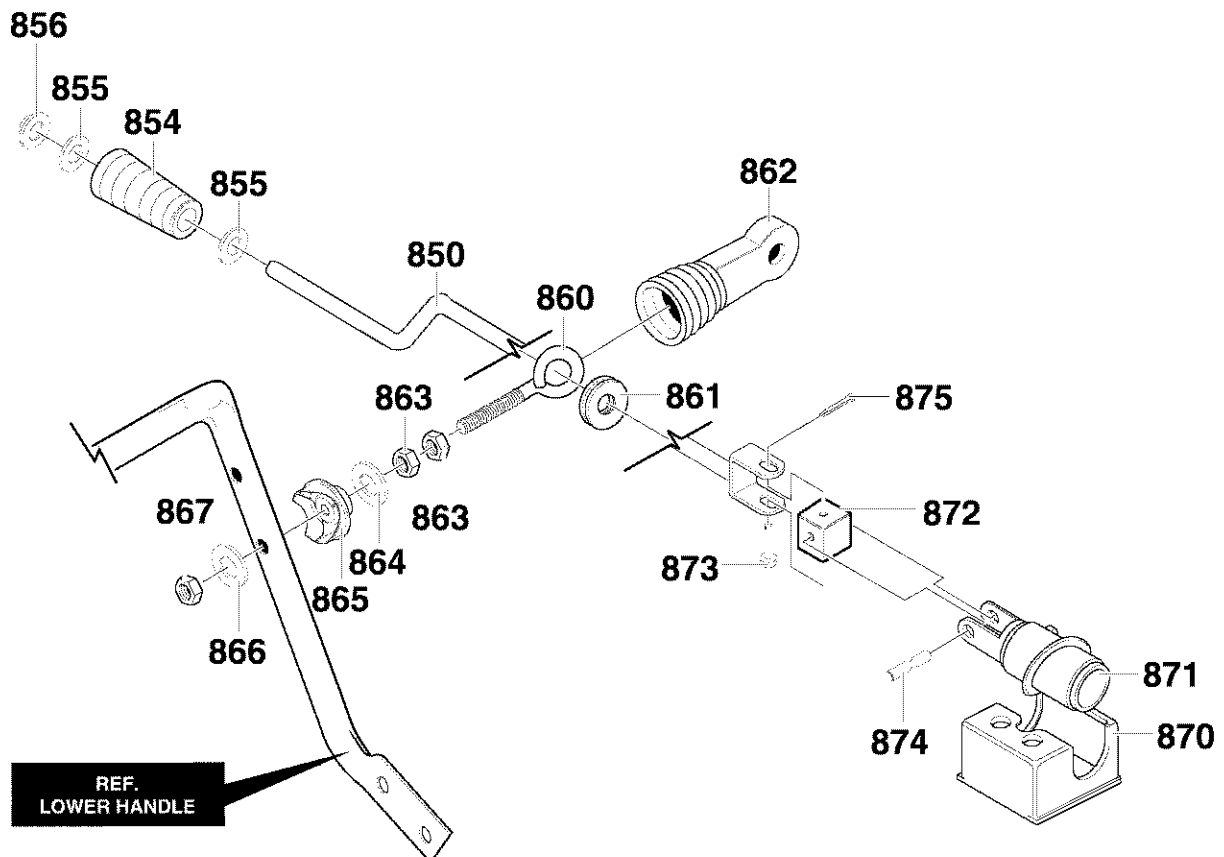
- MOTEUR DÉMARREUR
- VIS, 1/4-20 X,50
- VIS, #6-32 X 2,50
- CORDON, ÉLECTRIQUE

**Part No.
N° de pièce**

- 6218
- 6216
- 6217
- 6219

CRAFTSMAN 31" SNOW BLOWER C950-52930-0
CRAFTSMAN 31" CHASSE-NEIGE C950-52930-0

REPAIR PARTS
PIÈCES DE RECHANGE
CHUTE ROD / GOULOTTE TIGE



Key No. N° sur le schéma	Description	Description	Part No. N° de pièce
850	CRANK, ASSY CHUTE	POIGNÉE DE MANIVELLE MONTAGE	585426
854	HANDLE, CHUTE CRANK	POIGNÉE DE MANIVELLE	307399
855	FLATWASHER .39X.70X.05	RONDELLE PLATE, ,39X,70X,05	309312
856	E RING	CIRCLIP	578159
860	EYE BOLT 3/8-16X6.00	BOULON À OIL 3/8-16X6,00 PO.	581618
861	GROMMET, EYE BOLT	PASSE-TUBE	148
862	BOOT	BOUTIE	308145
863	NUT, 3/8-16 HEXJAM	ÉCROU, 3/8-16	71045
864	FLATWASHER .406X.81X.066	RONDELLE PLATE ,406X,81X,066	71072
865	ADAPTER, BOOT TO HANDLE	ADAPTATEUR	309344
866	FLATWASHER .406X.81X.066	RONDELLE PLATE ,406X,81X,066	71072
867	NUT, 3/8-16 HEXNYL	ÉCROU INDESSERRABLE 1/4-20	71046
870	BRACKET, WORM MTG	SUPPORT DE VIS SANS FIN DE GOULOTTE	585195
871	WORM, GEAR CHUTE ROTATION	VIS SANS FIN	585196
872	BLOCK, UNIVERSAL PIVOT	FOURCHETTE DE JOINT UNIVERSEL	578063
873	CLEVIS PIN	AXE DE MONTAGE	578309
874	PIN, UNIVERSAL JOINT	AXE DE JOINT UNIVERSEL	578060
875	COTTER PIN	GOUPILLE FENDUE	579493

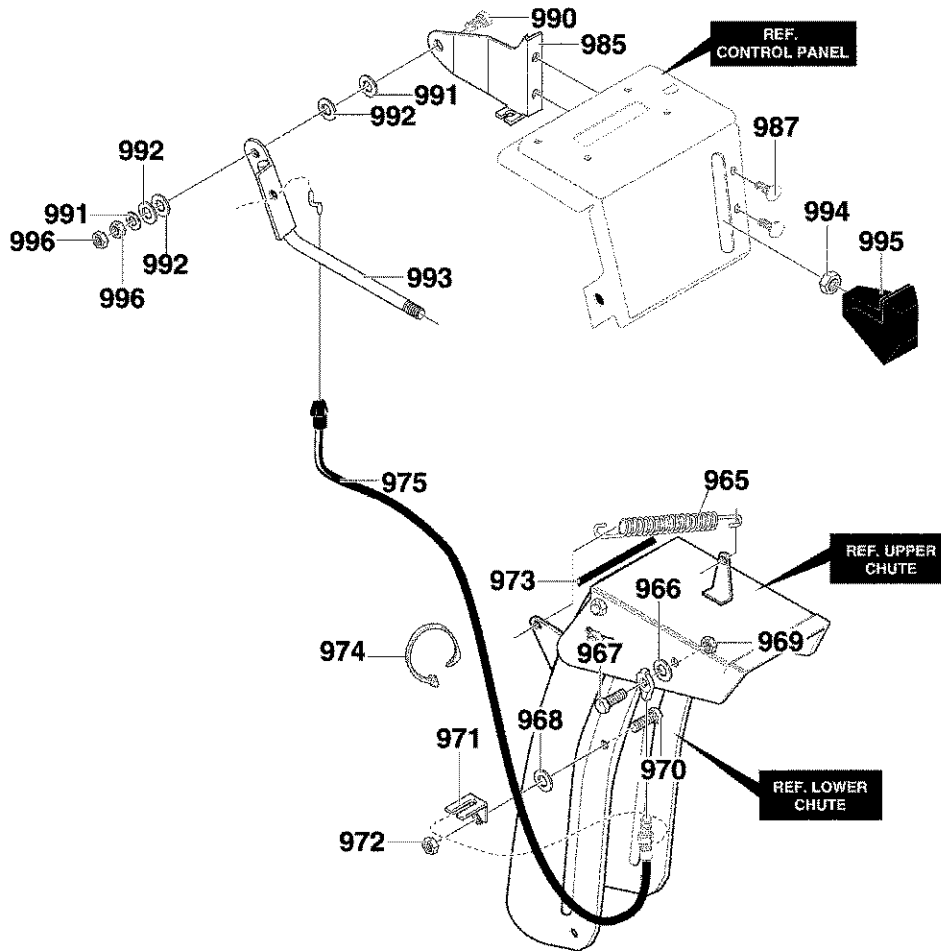
CRAFTSMAN 31" SNOW BLOWER C950-52930-0

REPAIR PARTS

CRAFTSMAN 31" CHASSE-NEIGE C950-52930-0

PIÈCES DE RECHANGE

REMOTE CHUTE CONTROL / DÉFLECTEUR DE GOULOTTE



**Key No.
N° sur le
schéma**

Description

965	TENSION SPRING
966	FLATWASHER
967	BOLT
968	FLATWASHER
969	NUT
970	SCREW
971	BRACKET, CABLE CHUTE
972	NUT
973	TRIM STRIP, BLACK
974	CABLE TIE
975	CABLE, CHUTE DEFLECTOR
985	BRACKET, SNAP-IN REMOTE
987	SCREW
990	SCREW
991	WASHER, FLAT
992	WASHER, SPRING
993	HANDLE, ASSY
994	NUT
995	KNOB, SHIFT
996	NUT

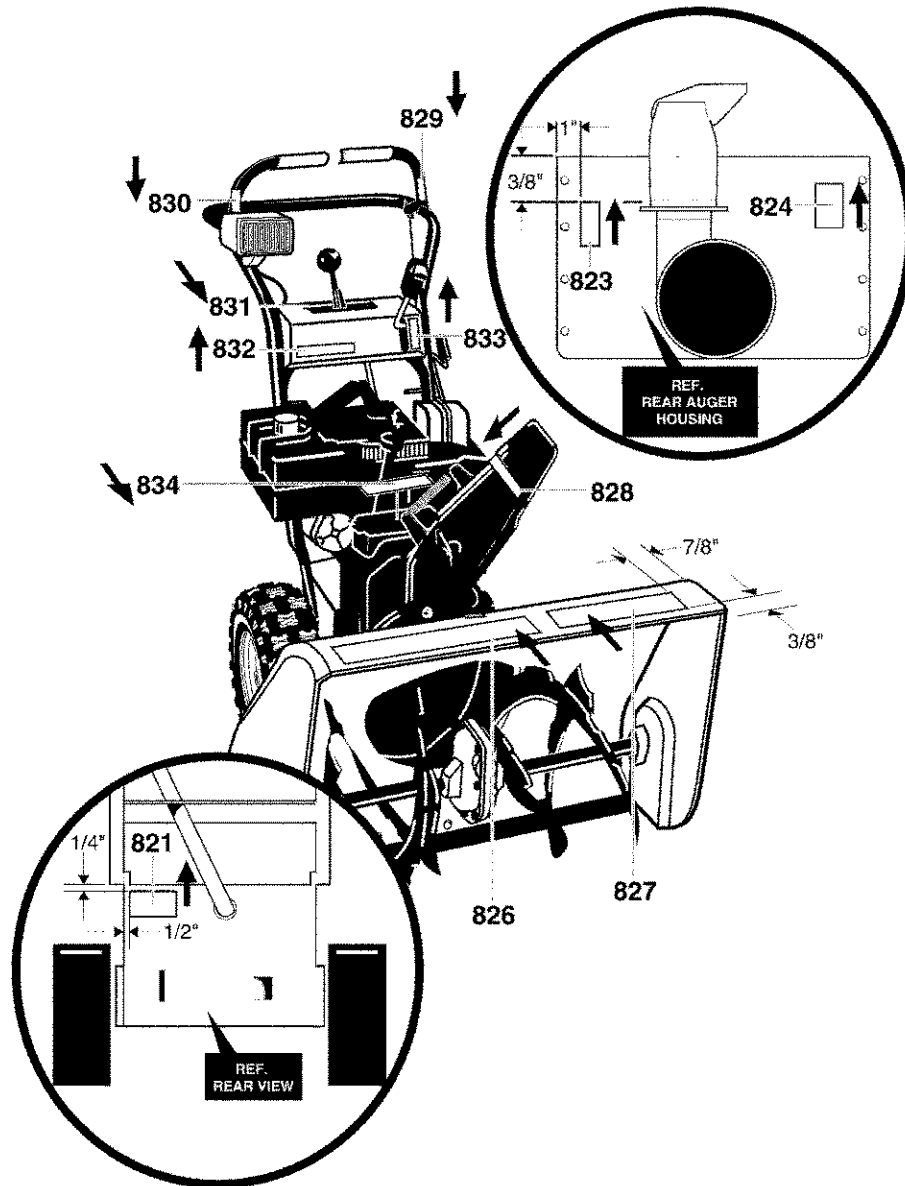
Description

RESSORT	318468
RONDELLE PLATE	711666
BOULON	310088
RONDELLE PLATE	73787
ÉCROU	302635
VIS	313676
BRIDE DU CÂBLE	780066
ÉCROU	71391
ARRANGER	55021
CÂBLE DE BRIDE	760113
CÂBLE DE GOULOTTE	761775
SUPPORT DE GOULOTTE	761669-853
VIS	310169
VIS	4058
RONDELLE PLATE	71072
RONDELLE, RESSORT	4051
POIGNÉE MONTAGE	904056-853
ÉCROU	71045
POMMEAU	304437
ÉCROU	71046

NEED PARTS? VISIT [HTTP://WWW.MANUALBUDDY.COM/PARTS](http://www.manualbuddy.com/parts)

**CRAFTSMAN 31" SNOW BLOWER C950-52930-0
CRAFTSMAN 31" CHASSE-NEIGE C950-52930-0**

**REPAIR PARTS
PIÈCES DE RECHANGE
DECALS / AUTOCOLLANTS**



**Key No.
N° sur le
schéma**

Key No. N° sur le schéma	Description
821	MODEL PLATE
823	DECAL, DANGER CHUTE HAND
824	DECAL, DANGER & FOOT
826	DECAL, CRAFTSMAN
827	DECAL, 11/31
828	DECAL, DANGER STRIPE
829	DECAL, DRIVE CLUTCH (SYMBOL)
830	DECAL, AUGER CLUTCH (SYMBOL)
831	DECAL, GEAR SELECTOR
832	DECAL, CRAFTSMAN II PANEL
833	DECAL, REMOTE CHUTE
834	DECAL, TOOLBOX INFO

Description

Description	Part No. N° de pièce
MODÈLE PLAQUE	
AUTOCOLLANT, DANGER MAIN	761918
AUTOCOLLANT, DANGER & PIED	761779
AUTOCOLLANT, CRAFTSMAN	760968
AUTOCOLLANT, 11/31	761944
AUTOCOLLANT, DANGER	761078
AUTOCOLLANT, EMBRAYAGE	53689
AUTOCOLLANT, EMBRAYAGE	53690
AUTOCOLLANT, GRILLE DE VITESSES	327921
AUTOCOLLANT, CRAFTSMAN II	761044
AUTOCOLLANT, DE COMMANDE	585899
AUTOCOLLANT, REMISAGE POUR BOULON DE CISAILLEMENT/OUTILS	761048

**Part No.
N° de pièce**

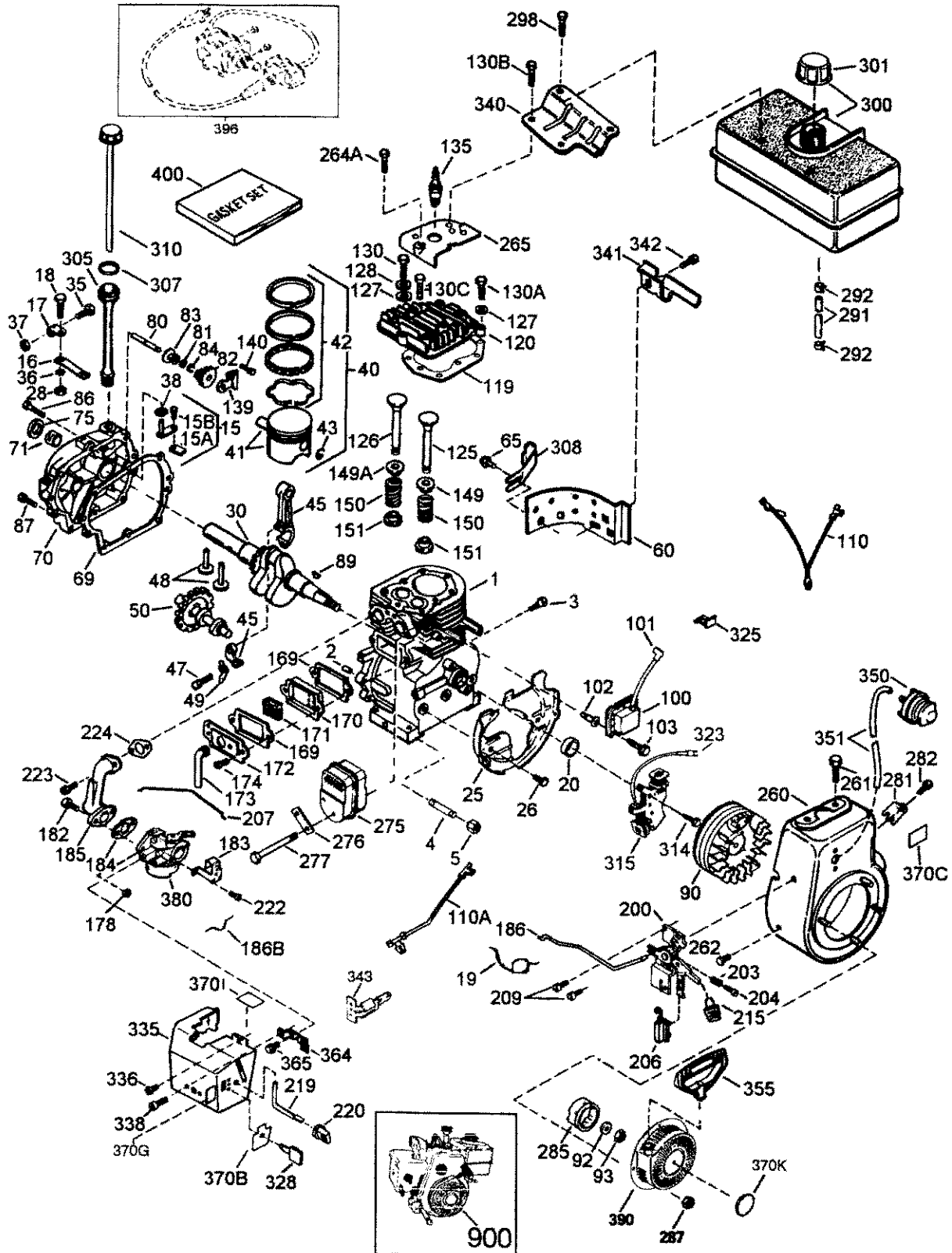
F-001008J

NEED PARTS? VISIT [HTTP://WWW.MANUALBUDDY.COM/PARTS/](http://www.manualbuddy.com/parts/)

Download from [Www.Somanuals.com](http://www.Somanuals.com). All Manuals Search And Download.

TECUMSEH 11 HP 4 CYCLE ENGINE 143.001103
MOTEUR 11 HP 4 TEMPS TECUMSEH 143.001103

REPAIR PARTS
PIÈCES DE RECHANGE



TECUMSEH 11 HP 4 CYCLE ENGINE 143.001103
MOTEUR 11 HP 4 TEMPS TECUMSEH 143.001103

REPAIR PARTS
PIÈCES DE RECHANGE

Key No.
N° sur le
schéma

Part No.
N° de pièce

	Description	Description	
	RPM High 3550 to 3850	Régime maximal: 3550 à 3850 tr/min	
	RPM Low 2000	Régime de ralenti: 1900 tr/min	
1	Cylinder Ass'y (Incl. 2, 20 & 72)	Cylindre (comprend ref. 2, 20 et 72)	35371
2	Dowel Pin	Cheville	27652
3	Screw, 1/4-20 x 1/2"	Vis, 1/4-20 x 1/2 po	650820
4	Oil Drain Extension	Rallonge d'orifice de vidaoge	31857
5	Extension Cap	Bouchon	30969
15	Governor Rod (Inc. 1 5A & 1 5B)	Elge du régulateur (comprend ref. 1 5A et 1 5B)	30699C
15A	Governor Yoke	Paquette du régulateur	30700
15B	Screw, 6-40 x 5/16"	Vis, 6-40 x 5/16 po	650494
16	Governor Lever	Levier du régulateur	33454
17	Governor Lever Clamp	Bride du levier du régulateur	29916
18	Screw, Torx T-15. 8-32 x 3/8"	Vis, Torx T-15, 8-32 x 3/8po	651028
19	Speed Control Spring	Ressort de commande de vitesse	34663
20	Oil Seal	Joint à lèvres	35319
25	Blower Housing Baffle	Défecteur du boîtier de soufflante	36460
26	Screw, 1/4-20 x 5/8"	Vis, 1/4-20 x 5/8 po	650561
28	Lock Nut, 8-32	Écrou de blocage, 8-32	30322
30	Crankshaft	Vi lebrequ in	37231
35	Screw, 10-32 x 3/4"	Vis, 1 0-32 x 3/4 po	29826
36	Lock Washer	Rondelle-frein	29918
37	LockNut, 10-32	Écrou de blocage, 10-32	29216
38	Retaining Ring	Circlip	29642
40	Piston, Pin & Ring Set (Std.)	Piston, axe et segments (standard)	35776A
40	Piston, Pin & Ring Set (.010" OS)	Piston, axe et segments (cote + 0,010)	35777A
40	Piston, Pin & Ring Set (.020" OS)	Piston, axe et segments (cote + 0,020)	35778A
41	Piston, Pin Ass'y. (Std.) (Incl. 43)	Piston, axe et segments (standard) (comprend ref. 43)	35773A
41	Piston, Pin Ass'y. (.010" OS) (Incl. 43)	Piston, axe et segments (cote + 0,010) (comprend ref. 43)	35774A
41	Piston, Pin Ass'y. (.020" OS) (Incl. 43)	Piston, axe et segments (cote + 0,020) (comprend ref. 43)	35775A
42	Ring Set (Std.)	Segments (standard)	35779
42	Ring Set (.010" OS)	Segments (cote + 0,010)	35780
42	Ring Set (.020" OS)	Segments (cote + 0,020)	35781
43	Piston Pin Retaining Ring	Circlip d'axe de piston	35772
45	Connecting Rod Assy (Incl. 47 & 49)	Bielle (comprend ref. 46, 47, 49)	36898
47	Connecting Rod Bolt	Vis de bielle	651033
48	Valve Lifter	Poussoir de soupape	34034
49	Oil Dipper	Défecteur d'huile	36896
50	Camshaft (MCR)	Arbre à cames (décompresseur mécanique)	35375
60	Blower Housing Extension	Rehausse de boîtier de soufflante	33273A
65	Screw, 10-24x 1/2"	Vis, 1 0-24 x 1/2 po	650128
69	Cylinder Cover Gasket	Joint du couvercle de cylindre	*35262A
70	Cylinder Cover (Incl. 71, 75 & 80)	Couvercle de cylindre (comprend ref. 71, 75 et 80)71	35376
71	Crankshaft bushing	Palier	35377
75	Oil Seal	Joint à lèvres	35319
80	Governor Shaft	Axe du régulateur	31845
81	Washer	Rondelle	30590A
82	Governor Gear Ass'y. (Incl. 81)	Pignon du régulateur (comprend ref. 81)	35378
83	Governor Spool	Bobine du régulateur	30588A
84	Retaining Ring	Circlip	29193
86	Screw, 1/4-20 x 1-3/16"	Vis, 1 /4-20 x 1 -3/16 po	650833
87	Screw, 1/4-20x 1-11/16"	Vis, 1/4-20x 1-11/16po	650832
89	Flywheel Key	Clavette du volant	32589

**TECUMSEH 11 HP 4 CYCLE ENGINE 143.001103
MOTEUR 11 HP 4 TEMPS TECUMSEH 143.001103**

**REPAIR PARTS
PIÈCES DE RECHANGE**

90	Flywheel (W/Ring Gear)	Volant (avec couronne)	611093
92	Lock Washer	Rondelle-frein	650880
93	Flywheel Nut	Écrou du volant	650881
100	Solid State Ignition	Module d'allumage	35135
101	Spark Plug Cover	Capuchon de bougie	610118
102	Solid State Mounting Stud	Goujon du module d'allumage	651024
103	Screw, Torx T-15, 10-24 x 15/16"	Vis, T-15 Torx, 10-24 x 15/16 po	651007
110	Ground Wire	Fil de masse	35187
110A	Ground Wire	Fil de masse	37047
119	Cylinder Head Gasket	Joint de culasse	*36451
120	Cylinder Head	Culasse	36449
125	Exhaust Valve (Std.) (Incl. 151)	Soupape d'échappement (standard) (comprend ref. 151)	27878A
125	Exhaust Valve (1/32" OS) (Incl. 151)	Soupape d'échappement (cote + 1/32 po) (comprend ref. 151)	27880A
126	Intake Valve (Std.) (Incl. 151)	Soupape d'admission (standard) (comprend ref. 151)	34035
126	Intake Valve (1/32" OS) (Incl. 151)	Soupape d'admission (cote + 1/32 po) (comprend ref. 151)	34036
127	Washer	Rondelle	650691
128	Belleville Washer	Rondelle	650690
130	Screw, 5/16-18 x 1-1/2"	Vis, 5/16-18 x 1-1/2 po	6021A
130A	Screw, 5/16-18 x 1-3/4"	Vis, 5/16-18 x 1-3/4 po	650727
130B	Screw, 5/16-18 x 5/8"	Vis, 5/16-18 x 5/8 po	651055
130C	Screw, 5/16-18 x 2"	Vis, 5/16-18 x 2 po	650694A
135	Resistor Spark Plug (RJ1 9LM)	Bougie	35395
139	Governor Gear Bracket	Support	33369
140	Screw, 10-24 x 1/2"	Vis, 10-24 x 1/2 po	650836
149	Valve Spring Cap	Cuvette de ressort de soupape	27882
149A	Valve Spring Cap	Cuvette de ressort de soupape	35862
150	Valve Spring	Ressort de soupape	27881
151	Valve Spring Keeper	Clavette de ressort de soupape	32581
169	Valve Cover Gasket	Joint de cache-culbuteurs	*27896A
170	Breather Body	Reniflard	28423
171	Breather Element	Filtre du reniflard	28424
172	Valve Cover	Couvercle du reniflard	28425
173	Breather Tube	Tube du reniflard	35350
174	Screw, 10-24 x 1/2"	Vis, 10-24 x 1/2 po	650128
178	Nut & Lock Washer, 1/4-28	Écrou et rondelle-frein, 1/4-28	29752
182	Screw, 1/4-28 x 1"	Vis, 1/4-28 x 1 po	30088A
183	Choke Bracket	Bride de volet de départ	34587A
184	Carburetor To Intake Pipe Gasket	Joint du carburateur	*33263
185	Intake Pipe	Collecteur d'admission	33877
186	Governor Link	Tige du régulateur	34667
186B	Choke Spring	Ressort du volet de départ	36652
200	Control Bracket (Incl. 19, 203, 204 & 206)	Support de commande (comprend ref. 19, 203, 204 et 206)	34677
203	Compression Spring	Ressort	31342
204	Screw, 5-40 x 7/16"	Vis, 5-40 x 7/16 po	651029
206	Terminal	Borne	610973
207	Throttle Link	Biellette du régulateur	33878
209	Screw, 10-32 x 1/2"	Vis, 10-32 x 1/2 po	650821
215	Control Knob	Bouton de manette d'accélération	35440
219	Choke Rod	Tige du volet de départ	34586
220	Choke Knob	Manette du volet de départ	35438
222	Screw, 10-32 x 1/2"	Vis, 10-32 x 1/2 po	28820
223	Screw, Torx T-30, 5/16-18 x 1-1/8"	Vis, Torx T-30, 5/16-18 x 1-1/8 po	650378
224	Intake Pipe Gasket	Joint de collecteur d'admission	*27915A
260	Blower Housing	Boîtier de soufflante	35447A
261	Screw, 5/16-18 x 3/4"	Vis, 5/16-18 x 3/4 po	650788

**TECUMSEH 11 HP 4 CYCLE ENGINE 143.001103
MOTEUR 11 HP 4 TEMPS TECUMSEH 143.001103**

**REPAIR PARTS
PIÈCES DE RECHANGE**

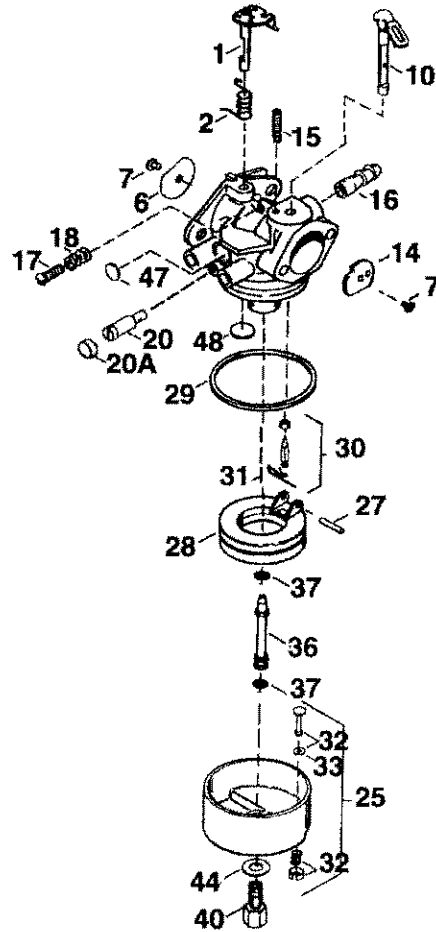
262	Screw, Torx T-40, 5/16 24 x 21/32"	Vis, Torx T-40, 5/16-24 x 21/32 po	29747B
264A	Screw, 1/4-20 x 5/8"	Vis, 1/4-20 x 5/8 po	650802
265	Cylinder Head Cover	Couvercle de culasse	33272B
275	Muffler	Silencieux	35056
276	Locking Plate	Paquette du silencieux	31588
277	Screw, 5/16-18x4-3/16"	Vis, 5/16-18x4-3/16 po	651002
281	Starter Bubble Cover	Couvercle du démarreur	33013
282	Screw, 8-32 x 3/8"	Vis, 8-32 x 3/8 po	650760
285	Starter Cup	Moyeu du démarreur	35985B
287	Nut & Lock Washer, 1/4-28	Ecrou et rondelle-frein, 1/4-28	29752
291	Fuel Line	Tuyau d'essence	30705
292	Fuel Line Clamp	Collier	26460
298	Screw, 1/4-15 x 3/4"	Vis, 1/4-15 x 3/4 po	650665
300	Fuel Tank (Incl. 292 & 301)	Réservoir d'essence (comprend ref,292 et 301)	34156A
301	Fuel Cap	Bouchon du réservoir	35355
305	Oil Fill Tube	Tube de remplissage d'huile	35554
307	"O" Ring	Joint torique	35499
308	Fill Tube Clip	Bride du tube de remplissage	35540
310	Dipstick	Jauge d'huile	36205
314	Screw, 1/4-20 x 3/4"	Vis, 1/4-20 x 3/4 po	650873
315	Alternator Coil (18 Watt) (Incl. 323)	Bobine d'alternateur (18 watts) (comprend ref.323)	611111
323	Terminal	Borne	611118
325	Wire Clip	Attache fil	29443
328	Ignition Key	Clé de contact	35062
335	Carburetor Cover (Black)	Couvercle du carburateur (noir)	35057A
336	Screw, 10-32 x 1/2"	Vis, 10-32 x 1/2 po	650765
338	Screw, 10-32 x 3/8"	Vis, 10-32 x 3/8 po	28942
340	Fuel Tank Bracket	Support du réservoir	34154
341	Fuel Tank Bracket	Support du réservoir	34155
342	Screw, 1/4-20 x 5/8"	Vis, 1/4-20 x 5/8 po	650561
343	Bracket, key switch	Support, clé	35079
350	Primer Ass'y	Amorceur	570682A
351	Primer Line	Tuyau de l'amorceur	32180C
355	Starter Handle	Poignée du démarreur	590574
364	Carburetor Cover Bracket	Support du couvercle du carburateur	33377
365	Screw, 8-32 x 27/64"	Vis, 8-32 x 27/64 po	650767
370B	Control Decal	Autocollant, Volet de départ	35077
370C	Primer Decal	Autocollant de l'amorceur	36501
370I	Warning Decal	Autocollant d'avertissement	37119
370K	Starter Decal	Autocollant	36695
380	Carburetor (Incl. 184)	Carburateur (comprend ref.184)	640054
390	Rewind Starter	Démarreur à corde	590749
396	Electric Starter Motor (Optional)	Démarreur électrique (option)	33329E
400	Gasket Set (Incl. items marked *) Incl. part #'s 27272A, 27896A, 27915A, 29673, 33263, 33629, 34698A, 35262A, 35317, 36451	Nécessaire de joints (comprend références identifiées *) Comprend réf .27272A, 27896A, 27915A, 29673, 33263, 34698A, 35262, 35317, 36451	36452B

* Indicates Parts Included in Gasket Set, Ref. No. 400

* Pièces incluses dans le nécessaire de joints, réf. 400.

**TECUMSEH 11 HP 4 CYCLE ENGINE 143.001103
MOTEUR 11 HP 4 TEMPS TECUMSEH 143.001103**

**REPAIR PARTS
PIÈCES DE RECHANGE**



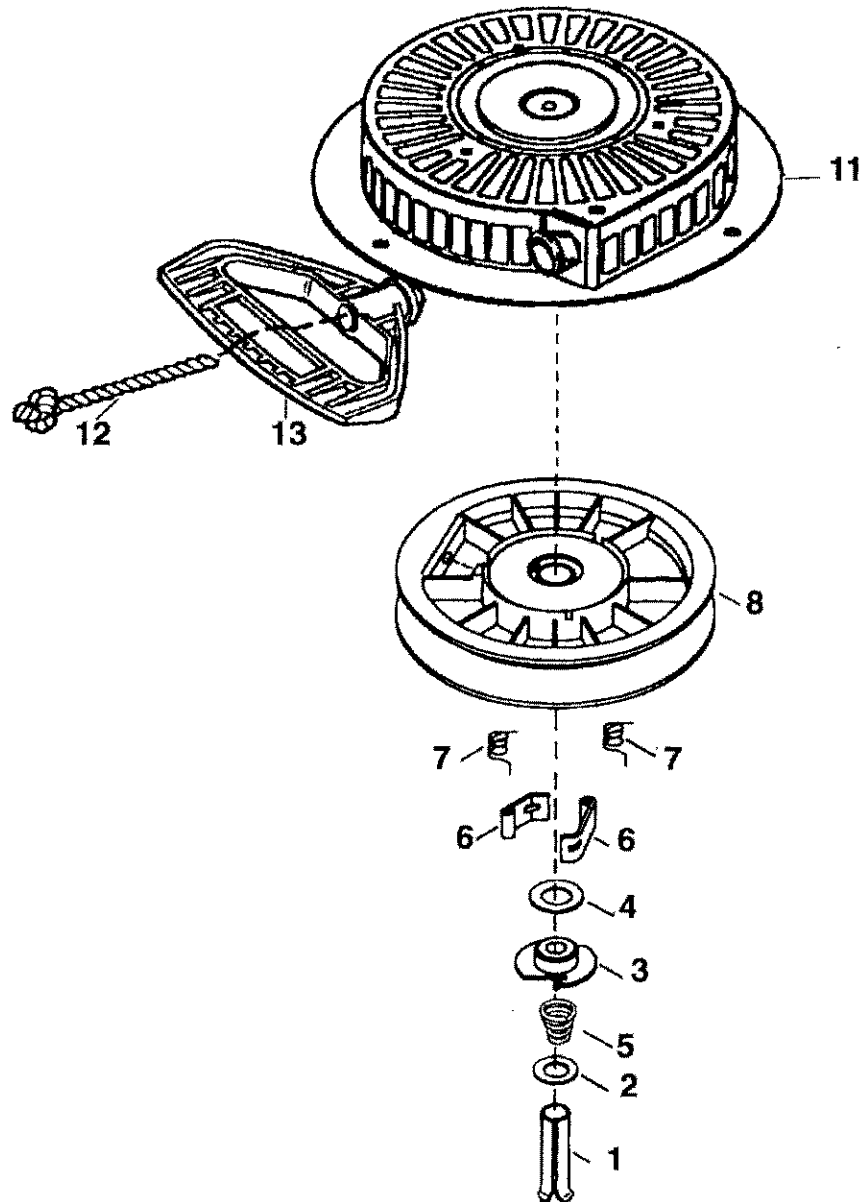
**Key No.
N° sur le
schéma**

Description

Description

**Part No.
N° de pièce**

	Carburetor (Incl.184 of Engine Parts List)	Carburateur (comprend ref. 184 de la liste de pieces du moteur)	640054
1	Throttle Shaft & Lever Assembly	Axe et levier du papillon	631776A
2	Throttle Return Spring	Ressort de rappel du papillon	631970
6	Throttle Shutter	Cache du papillon	631778
7	Shutter Screw	Vis de cache	650506
10	Choke Shaft & Lever Assembly	Axe et levier du volet de départ	632112
14	Choke Shutter	Cache du volet de départ	632174
15	Choke Positioning Spring	Ressort de butée du volet de départ	630735
16	Fuel Fitting	Raccord	632164
17	Throttle Crack Screw/Idle Speed Screw	Vis de ralenti	650417
18	Tension Spring	Ressort	630766
20	Idle Mixture Screw	Vis de richesse	640016
20A	Idle Restrictor Screw Cap	Capachoun	640053
25	Float Bowl Ass'y. (Incl. 32 & 33)	Joint torique cuve (comprend ref. 32 et 33)	631951
27	Float Shaft	Axe du flotteur	631024
28	Float	Flotteur	632019
29	Float Bowl "O" Ring	Joint torique	631028
30	Inlet Needle, Seat & Clip (Incl. 31)	Pointeau, siège et arrêt (comprend ref. 31)	631021
31	Spring Clip	Epingle	631022
32	Bowl Drain Assembly	Vis de vidange de cuve	27136A
33	Drain Plunger Gasket	Joint	27554
36	Main Nozzle Tube	Tube	640005
37	"O" Ring	"O" Joint	632547
40	High Speed Bowl Nut	Écrou	640012
44	Bowl Nut Washer	Rondelle d'écrou de cuve	27110A
47	Welch Plug, Idle Mixture Well	Pastille d'obturation	630748
48	Welch Plug, Atmospheric Vent	Pastille d'obturation	631027



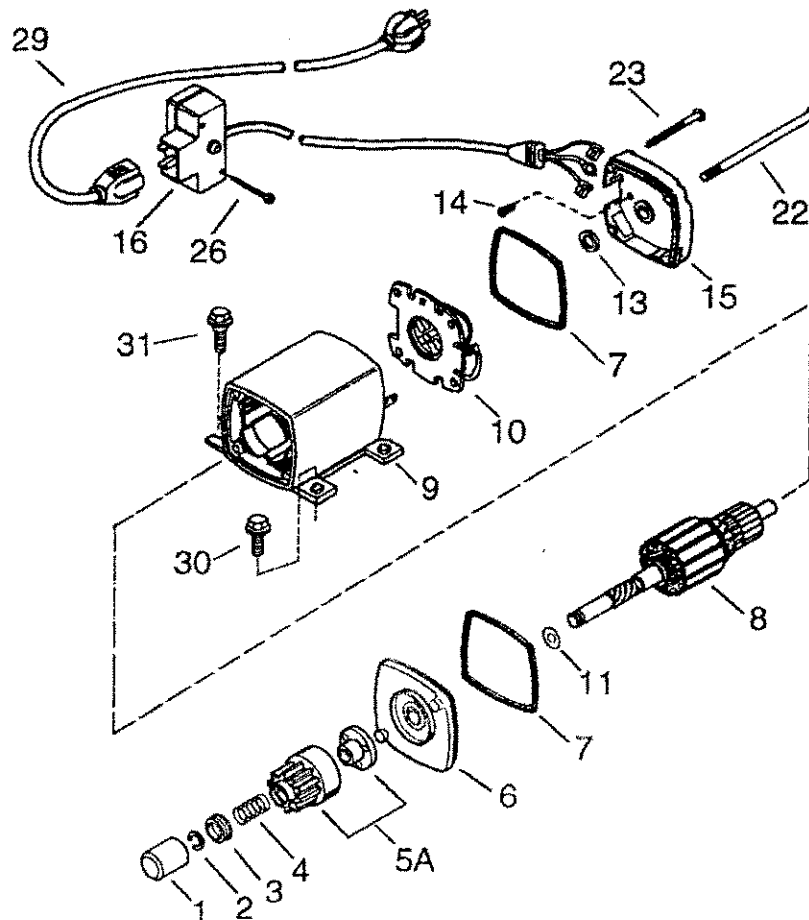
**Key No.
N° sur le
schéma**

Description

Description

**Part No.
N° de pièce**

	Rewind Starter	Démarrreur à corde	590749
1	Spring Pin (Incl. 4)	Goupille élastique (comprend ref. 4)	590599A
2	Washer	Rondelle	590600
3	Retainer	Fixation	590679
4	Washer	Rondelle	590601
5	Brake Spring	Ressort de frein	590678
6	Starter Dog	Doigt de démarrage	590680
7	Dog Spring	Ressort de doigt	590412
8	Pulley & Rewind Spring Ass'y.	Potpie et ressort de rappel	590682
11	Starter Housing Ass'y.	Boîtier du démarrage	590750
12	Starter Rope (Length 98" x 9/64" dia.)	Corde de démarrage (longueur 98 po, diamètre 9/64 po)	590535
13	Mitten Grip Handle (Not included with starter)	Poignée (non livrée avec le démarrage)	590574



**Key No.
N° sur le
schéma**

Description

	Electric Starter (110 Volt)
1	Dust Cover
2	Retainer Ring
3	Spring Retainer
4	Anti-drift Spring
5A	Gear & Nut (Incl. 2)
6	Drive End Cap Assy (Incl. 7)
7	"O" Ring
8	Armature
9	Housing Assy.
10	Brush Card Assy.
11	Thrust Washer
13	Thrust Washer
14	Ground Screw
15	Commutator End Cap Assy (Incl 7)
16	Switch Box Assy (Incl 26)
22	Case Bolt
23	Ground Screw
26	Screw, 6-32x2-1/2"
29	Extension Cord (10'6")
30	Screw, Torx T-30 1/4-20x1/2"
31	Screw, 1/4-20x1/2"

Description

Eléctrique Demarreur (110 volt)	33329D
Poussière Couvercle	33451
Circlip	33842
Ressort Fixation	33430
Ressort	33431
Pignon & Écrou Montage (comprend 2)	37050
D'embrayage garde capuchon montage(comprend 7)	35449
Joint torique	35450
Induit	35915
Boîtier montage	35451A
Cage de porte-balais de balais	35452A
Rondelle de poussée	35911
Rondelle de poussée	590500
Vis de masse	33441
Commutateur arrière capuchon montage(comprend 7)	35453
Boîtier d'interrupteur (comprend 26)	35454
Boulon de montage	35455
Vis de masse	35456
Vis, 6-32x2-1/2 po.	650819
Rallonge électrique 3,20m (10,6 po)	32450B
Vis, Torx T-30 1/4-20x1/2 po.	30063
Vis, 1/4-20x1/2 po.	650820

NOTES

SEARS

owner's manual

**Model
C950-52930-0
11-H.P. 31 inch**

DUAL STAGE SNOW BLOWER

CRAFTSMAN

**SERVICE
is at
YOUR
SERVICE**

Serial No. _____

Model and Serial Number may be found on the number plate on the rear of the Snow blower. You should record both Model and Serial Number and keep in a safe place for future reference.

HOW TO ORDER REPAIR PARTS

Each SNOW BLOWER has its own MODEL NUMBER Each ENGINE has its own MODEL NUMBER.

The MODEL NUMBER for the ENGINE will be found on the BLOWER HOUSING.

Always mention the MODEL NUMBERS when requesting service or Repair Parts for your SNOW BLOWER.

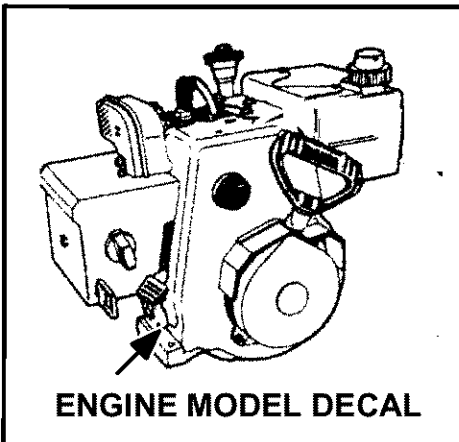
All parts list herein may be ordered through SEARS CANADA INC. RETAIL OR CATALOG STORES AND SERVICE CENTERS. If the parts you need are not stocked locally, your order will be electronically transmitted to a SEARS Parts Distribution Center for expedited handling.

When ordering parts by mail, selling prices will be furnished on request or parts will be shipped at prevailing prices and you will be billed accordingly.

WHEN ORDERING REPAIR PARTS, ALWAYS GIVE THE FOLLOWING INFORMATION:

1. PART NUMBER
2. PART DESCRIPTION
3. MODEL NUMBER
4. NAME OF THE ITEM-SNOW BLOWER
5. ENGINE MODEL NUMBER

Your Sears Merchandise takes on added value when you discover that Sears has Service Units throughout the Country Each is staffed by Sears-Trained, Professional technicians using Sears approved methods.



Dear Customer,

In manufacturing this product, many steps have been taken to provide you with the highest quality. Unfortunately, errors or omissions occasionally occur. In the event that you find a missing or defective part, please contact your nearest Sears store.

**SERVICE AND REPAIR PARTS
CALL 1-800-665-4455 ***

Keep this number handy should you required a service call or need to order repair parts. If ordering parts make sure you have the name, make and model no. of the merchandise and the name and number of the part you wish to order.

*If calling locally, please use one of the following numbers:

Regina – 566-5124

Montreal – 333-5740

Toronto – 744-4900

Halifax – 454-2444

Kitchener – 894-7590

Ottawa – 738-4440

Vancouver – 420-8211

If you have any suggestions that would help us to improve our assembly/operation instructions. or this product, please write them down and mail to:

Sears Canada Inc.
222 Jarvis Street
Toronto, Ontario
M5B 2B8

Attention Buyer Dept. 671

Model No. _____

NAME: _____

ADDRESS: _____

POSTAL CODE: _____ PHONE # _____

SEARS

*Manuel
d'utilisation*

Modèle
C950-52930-0
11-H.P.
31 pouces

Attention:

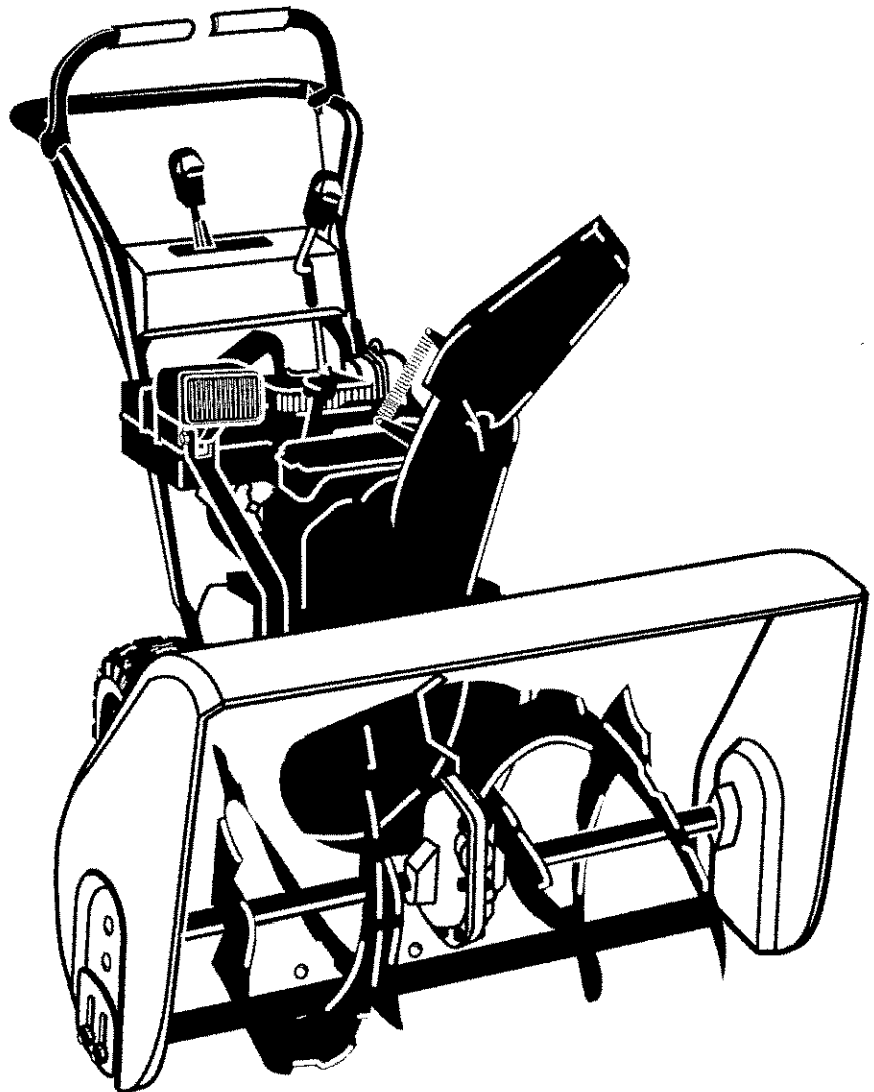
Lire et bien comprendre
ce manuel avant d'utiliser
le chasse-neige.

Numéro de série _____

SEARS

CRAFTSMAN

CHASSE-NEIGE À DEUX PHASES



CONSEILS DE SECURITE



ATTENTION: Toujours débrancher le fil de la bougie et le placer à l'écart pour éviter tout risque de mise en marche accidentelle pendant la préparation, l'entretien et le remisage du chasse-neige.



CONSEILS DE SÉCURITÉ POUR CHASSE-NEIGE À MAIN LIRE CE MANUEL AVANT D'UTILISER CET ÉQUIPEMENT



FORMATION

1. Lire attentivement le Manuel d'instructions et d'utilisation. Apprendre à bien connaître les commandes pour utiliser convenablement le chasse-neige. Apprendre à arrêter la machine et débrayer rapidement les commandes.
2. Ne jamais laisser d'enfants utiliser le chasse-neige. Ne jamais laisser d'adultes utiliser l'équipement sans en connaître le maniement.
3. Éloigner toutes les personnes de l'aire de travail, particulièrement les jeunes enfants et les animaux domestiques.
4. Faire attention à ne pas glisser ou tomber, particulièrement en marche arrière.

PRÉPARATION

1. Inspecter soigneusement la zone où le chasse-neige doit être utilisé et enlever tous les paillasons, traîneaux, planches, fils métalliques et autres corps étrangers.
2. Débrayer tous les embrayages et passer au point mort avant de mettre le moteur en marche.
3. Ne pas utiliser le chasse-neige à moins de porter des vêtements chauds pour l'hiver. Porter des chaussures qui aident à conserver un bon équilibre sur les surfaces glissantes.
4. Manier l'essence avec soin; elle est très inflammable.
 - (a) Utiliser un récipient approuvé pour l'essence.
 - (b) Ne jamais ajouter d'essence à un moteur en marche ou chaud.
 - (c) Remplir le réservoir de carburant à l'extérieur en faisant très attention. Ne jamais remplir le réservoir à l'intérieur d'un local.

(d) Replacer soigneusement le bouchon du réservoir et essuyer tout carburant renversé.

5. Utiliser des rallonges et des prises de courant recommandées par le fabricant pour tous les chasse-neige équipés de démarreurs électriques.
6. Régler la hauteur du boîtier du chasse-neige pour déneiger des surfaces recouvertes de gravier.
7. Ne jamais effectuer de réglages lorsque le moteur tourne (sauf pour les réglages recommandés par le fabricant).
8. Laisser le moteur et le chasse-neige s'adapter aux températures extérieures avant de commencer à déblayer la neige.
9. Toujours porter des lunettes de sécurité lors de l'utilisation ou lors de tout réglage ou réparation pour protéger les yeux d'objets pouvant être projetés par le chasse-neige.

UTILISATION


1. Ne pas placer les mains ou les pieds en dessous des pièces mobiles. Se tenir à l'écart de la goulotte d'éjection.
2. Faire extrêmement attention lors de travail sur ou lors de la traversée de routes revêtues de gravier, de trottoir ou de chaussée. Faire attention aux dangers cachés ou à la circulation.
3. Ne jamais éjecter la neige sur la voie publique ou vers la circulation.
4. Arrêter le moteur immédiatement après avoir heurté un corps étranger. Débrancher le fil de la bougie, et inspecter soigneusement le chasse-neige pour toute trace de dégâts. Effectuer les réparations nécessaires avant de remettre l'appareil en marche.
5. Si le chasse-neige commence à vibrer anormalement, arrêter le moteur et rechercher immédiatement la cause. Les vibrations sont des signes de mauvais fonctionnement.
6. Arrêter le moteur chaque fois que le chasse-neige est laissé sans surveillance, avant de dégager les aubes de la turbine ou la goulotte d'éjection et lors de réparations, réglages ou inspections.
7. Lors du nettoyage, de réparation, ou d'inspection, s'assurer que les aubes de la turbine et toutes les pièces mobiles sont arrêtées. Débrancher le fil de la bougie et tenir le fil à l'écart de la bougie pour éviter toute mise en marche accidentelle.

CONSEILS DE SECURITE

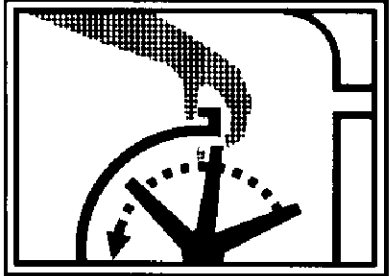
8. Prendre toutes les précautions nécessaires lorsque le chasse-neige est laissé sans surveillance. Débrayer la vis sans fin et la turbine, passer au point mort, arrêter le moteur et retirer la clé.
9. Ne pas faire tourner le moteur à l'intérieur d'un local, sauf lors de la mise en marche du moteur ou pour sortir ou rentrer le chasse-neige. Ouvrir les portes, les gaz d'échappement sont mortels.
10. Ne pas tenter de déneiger en travers de terrains en pente. Faire extrêmement attention lors de changement de direction sur des pentes. Ne pas tenter de déneiger des pentes abruptes.
11. Ne jamais utiliser le chasse-neige sans les protecteurs, plaques ou autres dispositifs de sécurité.
12. Ne jamais utiliser le chasse-neige près de vitrines, d'automobiles, de rebords de fenêtre, de surplombs, avant d'avoir réglé convenablement l'angle de la goulotte d'éjection. Garder les enfants et les animaux domestiques à l'écart.
13. Ne pas surcharger l'appareil en tentant de déneiger à un régime trop rapide.
14. Ne jamais utiliser le chasse-neige à des vitesses élevées sur des surfaces glissantes. Faire très attention lors de l'utilisation en marche arrière.
15. Ne jamais diriger la goulotte d'éjection vers des passants et ne permettre à personne de se tenir en avant de l'appareil.
16. Débrayer la vis sans fin lorsque le chasse-neige est transporté ou n'est pas utilisé.
17. N'utiliser que les accessoires approuvés par le fabricant pour le chasse-neige (comme masses d'alourdissement, contrepoids, cabine et autres).
18. Ne jamais utiliser le chasse-neige lorsque l'éclairage est insuffisant ou qu'il fait noir. Toujours conserver une bonne prise, un bon maintien sur le guidon et marcher, ne jamais courir.
19. Ne jamais se pencher. Conserver un bon équilibre.
20. Ne jamais utiliser le chasse-neige sur un toit.

ENTRETIEN ET REMISAGE

1. Vérifier le serrage des boulons de cisaillement et autres boulons, à intervalles réguliers, pour s'assurer que l'équipement est en bon état de marche.
2. Ne jamais remiser le chasse-neige contenant de l'essence dans le réservoir dans un bâtiment où il existe des sources de flammes ou d'étincelles comme chauffe-eau, radiateur, séchoir à vêtements et autres. Laisser refroidir le moteur avant de le remiser.
3. Toujours se reporter aux instructions du manuel si le chasse-neige doit être remisé pendant une longue période.
4. Conserver les étiquettes d'instructions et de sécurité en bon état et les remplacer au besoin.
5. Laisser le chasse-neige en marche pendant quelques minutes après le déneigement pour éviter à la turbine de geler.



DANGER: ne pas débarrasser la goulotte d'éjection à la main.



- Arrêter le moteur et la turbine avant d'éliminer les débris.
- Ne pas marcher devant la machine au travail.
- Ne pas projeter la neige vers d'autres personnes.
- Éloigner les personnes et les animaux domestiques de la machine au travail.
- Avant de laisser la machine sans surveillance, arrêter le moteur et retirer la clé de contact.



DANGER: Ne pas approcher les mains, les pieds ni les vêtements de la vis sans fin pour éviter tout risque de blessures.



AVIS AU CLIENT

DATE D'ACHAT: _____
N° DE MODÈLE: _____
N° DE SÉRIE: _____
ADRESSE DU MAGASIN D'ACHAT: _____
VILLE: _____ PROVINCE: _____
TÉLÉPHONE : _____

-Noter les renseignements ci-dessous pour l'identification de la machine en cas de perte ou de vol.

Puissance	11 HP
Contenance du réservoir d'essence	4 quarts (4 litre)
Contenance du carter d'huile (5W30)	26 oz (.77litre)
Bougie: (écartement 0,030 po.)	Champion RJ19LM
Pression de gonflage des pneus	14 PSI (0,984 kg/cm ²)
Vérifier la pression de gonflage des pneus. La pression dégonflage maximale est indiquée sur le flanc du pneu. ne pas excéder la pression de gonflage indiquée.	

CONTRAT D'ENTRETIEN

La **Garantie Craftsman**, plus un **contrat d'entretien** sont la meilleure protection des produits Sears. Consulter le magasin Sears le plus proche pour tous les détails.

RESPONSABILITÉS DU CLIENT

Lire et observer les règles de sécurité.

Respecter le calendrier d'entretien régulier.

Suivre les instructions données au chapitre "**Responsabilités du client**" et "**Remisage**" de ce Manuel.

CHASSE-NEIGE À ROUES

GARANTIE LIMITÉE DE 2 ANS POUR LE CHASSE-NEIGE CRAFTSMAN

Pour une période de deux (2) ans, suivant la date d'achat, Sears Canada Inc. réparera ou remplacera, selon son choix, gratuitement, toute pièce reconnue comme comportant un défaut de matière première ou de fabrication.

UTILISATION À DES FINS COMMERCIALES OU DE LOCATION

Lorsque le chasse-neige est utilisé à des fins commerciales ou de location, la période de garantie est de 90 jours après la date d'achat.

EXCLUSIONS À LA GARANTIE

1. Montage avant la livraison.
2. Les pièces soumises à l'usure durant le fonctionnement normal, comme les courroies, bougies, filtre, axes de cisaillement, ainsi que les dégâts provoqués au moteur par l'utilisation du chasse-neige avec de l'huile en quantité insuffisante.
3. Le remplacement ou la réparation de pneus endommagés par des corps étrangers comme des clous, des épines, des souches d'arbre ou du verre.
4. Réparation à domicile.

Si cet équipement requiert une intervention au titre de la garantie, le renvoyer au centre de service Sears canadien le plus proche. Cette garantie n'est en vigueur que lorsque le chasse-neige est utilisé au Canada.

Cette garantie s'ajoute à toute garantie légale et n'exclut ni limite les droits légaux de l'acheteur, mais est complémentaire aux lois provinciales en vigueur. De plus, parce que certaines provinces ne permettent pas de limite de durée des garanties implicites, les limites stipulées ci-dessus peuvent ne pas s'appliquer à l'acheteur.

SEARS CANADA INC., TORONTO, ONTARIO M5B 2B8

TABLES DES MATIÈRES

CONSEILS DE SÉCURITÉ	2	RESPONSABILITÉS DE CLIENT	21
AVIS AU CLIENT	4	CHASSE-NEIGE	21
MONTAGE	6	COMME REQUIS	21
OUTILS REQUIS POUR LE MONTAGE	6	LUBRIFICATION AVANT REMISAGE	21
CARTON D'EXPEDITION	6	LUBRIFICATION – TOUTES LES 10 HEURES	21
SAC DE PIÈCES CONTENANT	6	LUBRIFICATION – TOUTES LES 25 HEURES	22
DÉBALLAGE	7	MOTEUR	23
MONTAGE DE LA GOULOTTE	8	RÉGLAGES/RÉPARATIONS	24
MONTAGE DE LA POIGNÉE SUPÉRIEURE ET DE LA MANIVELLE	9	RÉGLAGE DE LA HAUTEUR DU BOÎTIER DE LA VIS SANS FIN	24
BRANCHEMENT DES CÂBLES DE COMMANDE ...	9	RÉGLAGE DU BORD D'ATTAQUE	24
SÉLECTEUR DE VITESSE	10	RÉGLAGE DES PATINS	24
MONTAGE DU PHARE	11	RÉGLAGES DES COURROIES	25
UTILISATION	12	COURROIE DE COMMANDE DES ROUES	25
COMMANDES DU MOTEUR ET DU CHASSE-NEIGE	12	COURROIE DE LA VIS SANS FIN	25
UTILISATION DU CHASSE-NEIGE	13	REPLACEMENT DES COURROIES	25
GOUPILLE DE BLOCAGE DE ROUE	14	COURROIE DE COMMANDE DES ROUES	26
AVANT LA MISE EN MARCHÉ DU MOTEUR	15	RÉGLAGE DES GUIDES DE COURROIE	27
REEMPLIR D'HUILE	15	RÉGLAGE DES CÂBLES DE COMMANDE DES ROUES ET DE LA VIS SANS FIN	27
REEMPLIR D'ESSENCE	15	RÉGLAGE DU DISQUE DE FRICTION	28
MISE EN MARCHÉ DU MOTEUR	16	REPLACEMENT DU DISQUE DE FRICTION	29
MISE EN MARCHÉ DU MOTEUR FROID (DÉMARREUR À CORDE)	16	REPLACEMENT DES BOULONS DE CISAILLEMENT DE LA VIS SANS FIN	30
MISE EN MARCHÉ DU MOTEUR CHAUD (DÉMARREUR À CORDE)	16	RÉGLAGE DE LA BOUGIE	30
UTILISATION DU DÉMARREUR ÉLECTRIQUE	17	REMISAGE	31
MISE EN MARCHÉ DU MOTEUR FROID (DÉMARREUR ÉLECTRIQUE)	17	REMISAGE HORS SAISON	31
MISE EN MARCHÉ DU MOTEUR CHAUD (DÉMARREUR ÉLECTRIQUE)	18	TABLEAU DE DIAGNOSTIC	32
CONSEILS D'UTILISATION	19	COMMENT OBTENIR DES PIÈCES DE RECHANGE (DANS LA PARTIE ANGLAISE DU MANUEL)	33
CALENDRIER D'ENTRETIEN	20	ENTRETIEN ET PIÈCES DE RECHANGE	34
		PIÈCES DE RECHANGE (DANS LA PARTIE ANGLAISE DU MANUEL)	33

MONTAGE

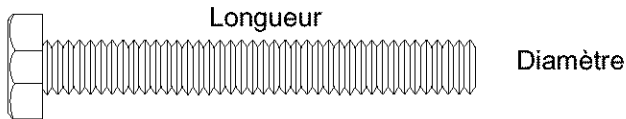
OUTILS REQUIS POUR LE MONTAGE

- 1 – couteau
- 2 – clés 1/2 po (ou clés a molette)
- 2 – clés 9/16 po (ou clés a molette)
- 2 – clés 3/4 po (ou clés a molette)
- 1 – paire de pinces ou 1 tournevis (pour écarter les goupilles fendues)

CARTON D'EXPEDITION

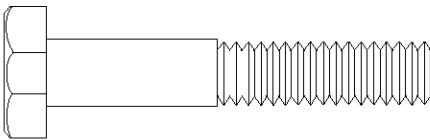
- 1 – chasse-neige
- 1 – Bouteille de stabilisateur
- 1 – Ensemble de déversoir
- 1 – Manivelle
- 1 – Sac de pièces détachées

COMMENT MESURER LES VIS

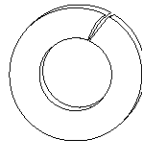


AVERTISSEMENT: Toujours porter des lunettes de sécurité ou une visière lors du montage du chasse-neige.

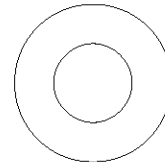
SAC DE PIÈCES CONTENANT



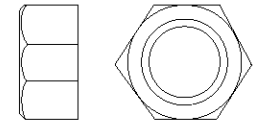
1– 3/8–16 x 2.00 Vis



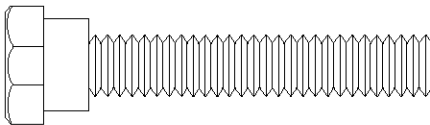
1– 3/8–16
Rondelle, Frein



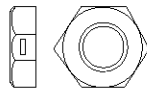
1– 3/8–16
Rondelle, Plate



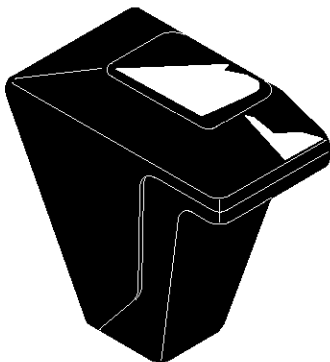
1–3/8–16
Écrou



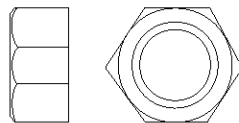
*2–Boulon de Cisaillement



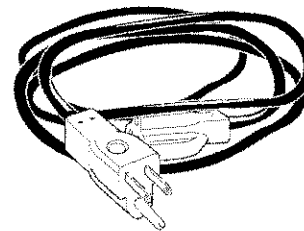
*2–Écrou



2– Pommeau



2–3/8–16
Écrou, Hex Jam



1– Cordon électrique pour le démarreur

*Les pièces ne servant pas au montage se trouvent dans la boîte à outils située sur le carter de courroie.

MONTAGE

La Figure 1 illustre le chasse-neige en position d'expédition.

La Figure 2 illustre le chasse-neige complètement monté.

Les références aux côtés droit et gauche s'entendent pour un observateur se tenant au guidon du chasse-neige et faisant face vers l'avant.

DÉBALLAGE

1. Repérer et retirer le stabilisateur d'essence et le sac des pièces détachées.

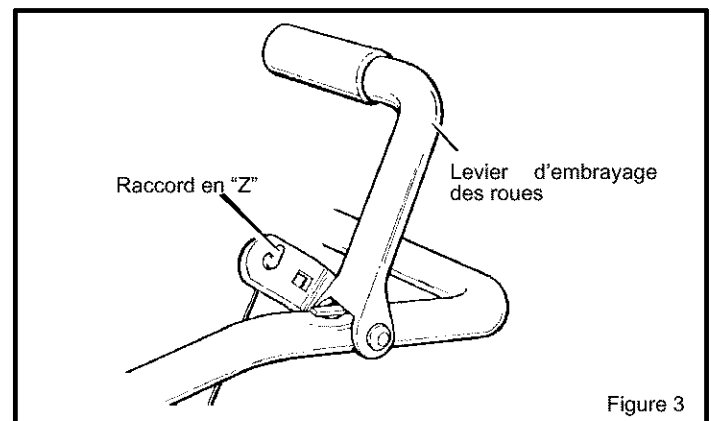
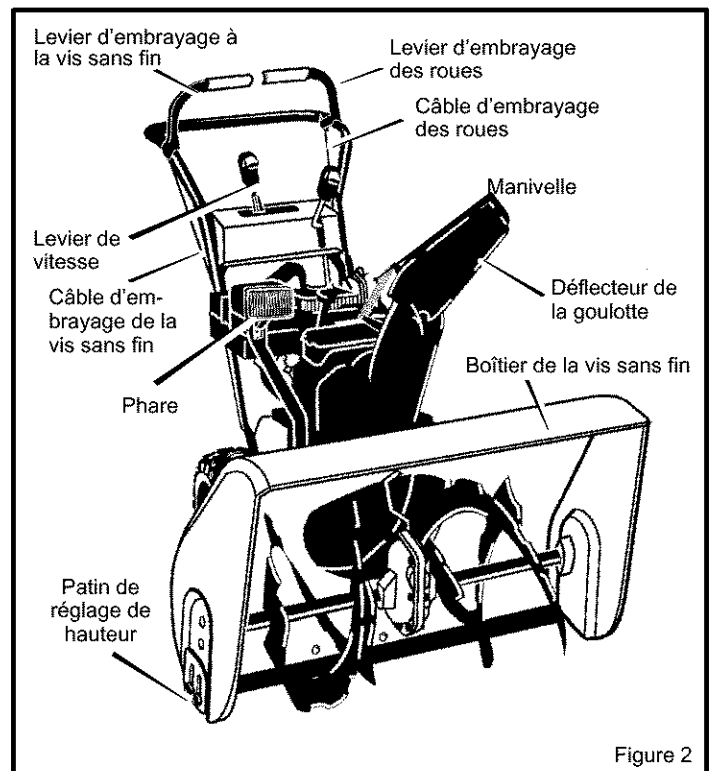
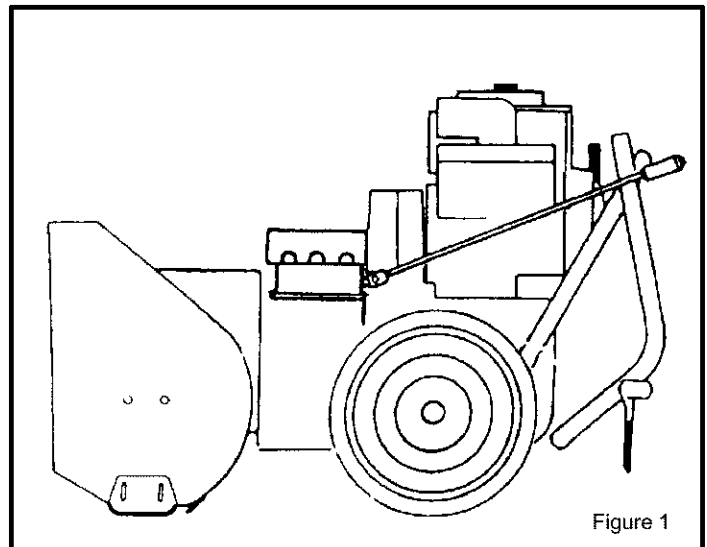
REMARQUE: Garder le stabilisateur en lieu sûr quand il n'est pas utilisé.

2. Couper et jeter les ficelles de plastique qui maintiennent la manivelle du déversoir à la palette supérieure, et mettre la manivelle de côté. Jeter la palette.
3. Repérer toutes les pièces qui ont été emballées séparément et les retirer de leur carton.
4. Couper le carton aux quatre coins de haut en bas et mettre les côtés à plat.
5. Retirer et jeter l'emballage qui se trouve autour du chasse-neige.
6. Faire rouler le chasse-neige hors du carton en tirant sur le guidon inférieur.

ATTENTION: NE PAS rouler sur les fils.

7. Retirer l'emballage de l'ensemble guidon.
8. Couper les brides qui maintiennent les câbles de commande d'embrayage du guidon inférieur.

REMARQUE: Si les câbles ont été débranchés des leviers d'embrayage, reposer les câbles comme illustré en Figure 3.

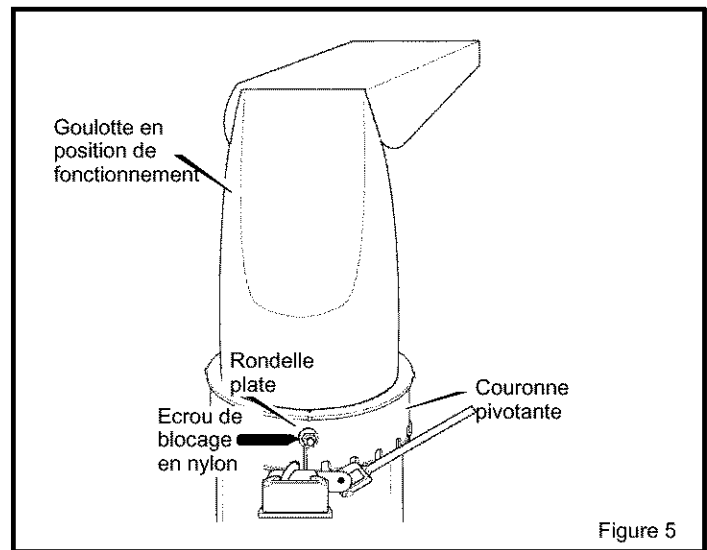
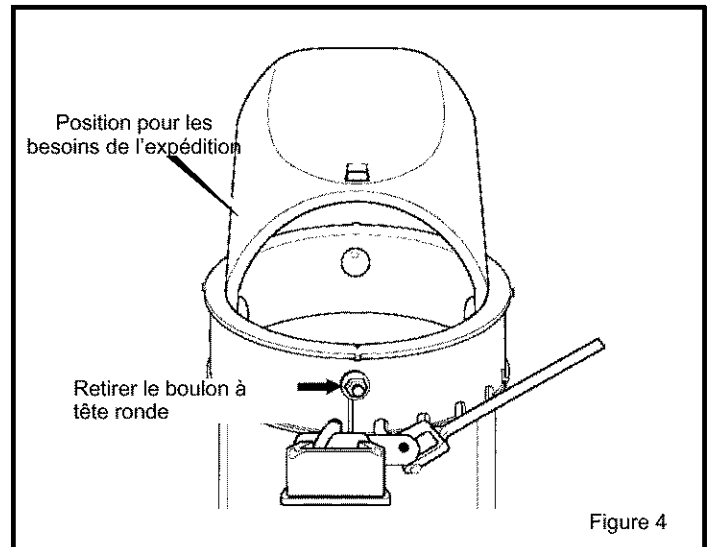


MONTAGE

MONTAGE DE LA GOULOTTE

1. Retirer le boulon arrière à tête ronde. (Voir Figure 4)
2. Incliner l'arrière de la goulotte en position de fonctionnement. (Voir Figure 5)
3. Remplacer le boulon à tête ronde situé à l'intérieur de la goulotte.
4. Remplacer la rondelle plate et l'écrou de blocage en nylon à l'extérieur de la couronne pivotante.
5. Bien serrer le boulon à tête ronde.
6. Couper bande de la goulotte.

REMARQUE: S'assurer que les boulons à tête ronde sont bien vissés sur la couronne pivotante. VEILLER cependant à ne pas trop les serrer.



MONTAGE

MONTAGE DE LA POIGNÉE SUPÉRIEURE ET DE LA MANIVELLE

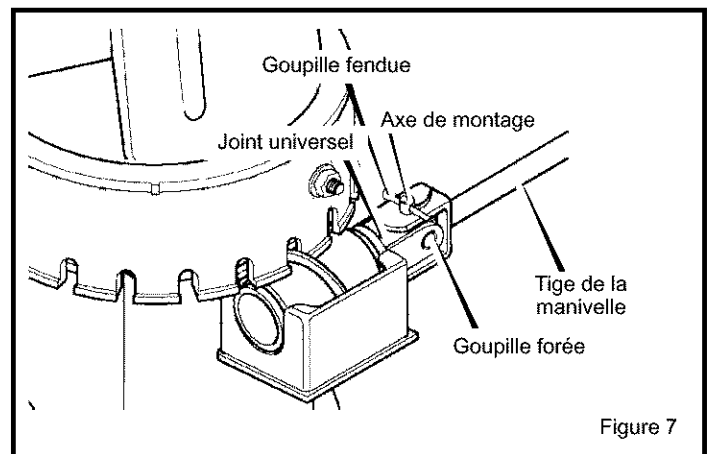
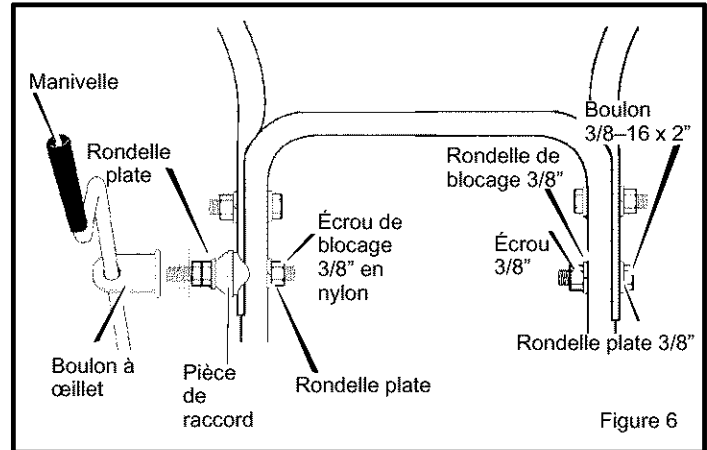
1. Desserrer les vis, les rondelles plates, les rondelles de blocage et les écrous hexagonaux des orifices du haut de la poignée inférieure, sans les retirer.
2. Soulever la poignée supérieure et la mettre en position de fonctionnement. La poignée supérieure devrait être à l'extérieur de la poignée inférieure.

REMARQUE: S'assurer que les câbles ne se prennent pas entre la poignée inférieure et la poignée supérieure.

3. Installer les pièces fournies dans le sac (vis, rondelle plate, rondelle de blocage, écrou hexagonal) dans l'orifice droit du bas de la poignée supérieure (voir Figure 6). Ne visser qu'une fois que tous les boulons sont en place.
4. Repérer l'ensemble manivelle sorti de son emballage et retirer l'écrou de blocage 3/8" en nylon ainsi que la rondelle plate de l'ensemble de boulon à œillet.
5. Faire passer le boulon à œillet à travers l'orifice inférieur de la poignée gauche. (Voir Figure 6).
6. Installer la rondelle plate 3/8" et l'écrou de blocage 3/8" en nylon. (voir Figure 6).
7. Retirer avec précaution la goupille fendue, l'axe de montage, et le joint universel de la fourche de la manivelle (Figure 7).
8. Placer le joint universel dans la fourche de la vis sans fin en alignant les gros orifices. Introduire le joint universel (s'assurer que l'orifice de la goupille est aligné avec les petits orifices du joint universel).
9. Placer la chape de la fourche de la manivelle autour des orifices des joints universels de la fourche de la vis sans fin. Introduire l'axe de montage et fixer le tout avec la goupille fendue. Écarter les pattes de la goupille pour tenir le joint en place.

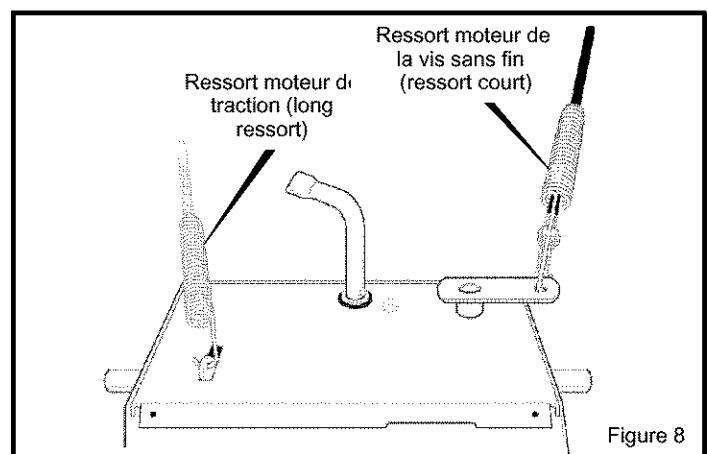
10. Serrer l'écrou sur le boulon à œillet, en alignant l'œillet avec la tige puis bien visser à l'intérieur.
11. Visser tous les boulons de la poignée.

REMARQUE: S'assurer que la manivelle ne touche par le couvercle du carburateur.



BRANCHEMENT DES CÂBLES DE COMMANDE

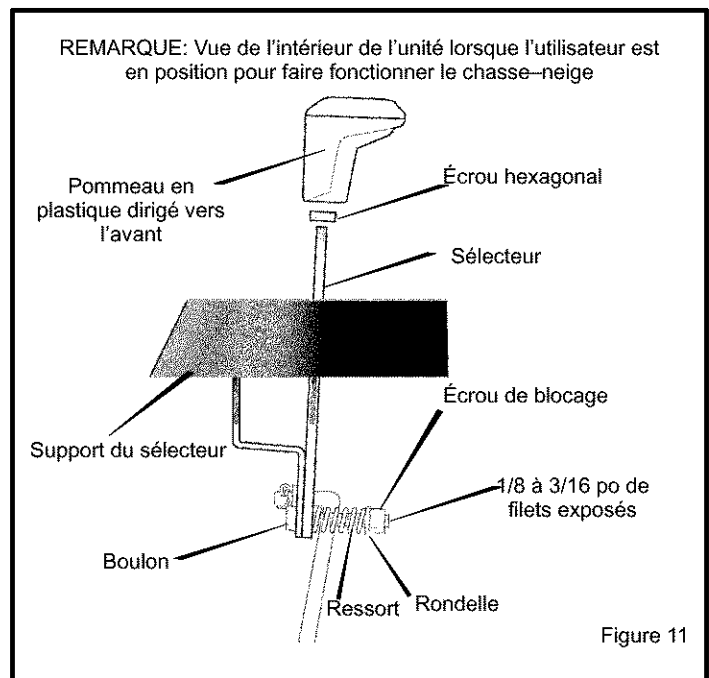
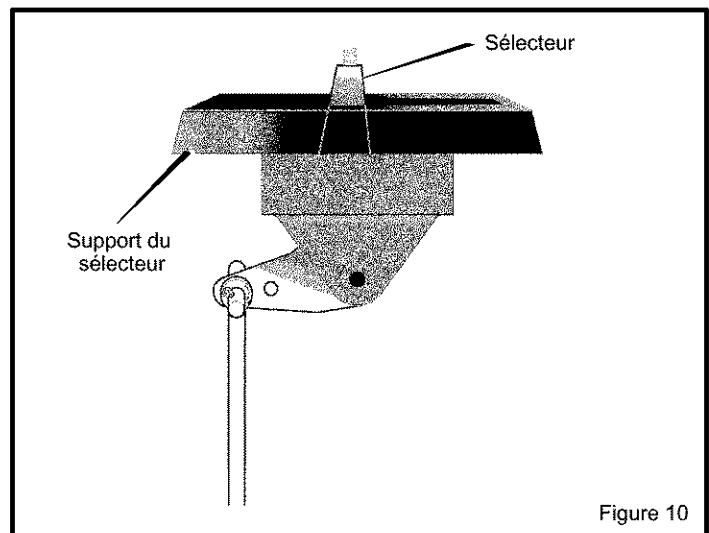
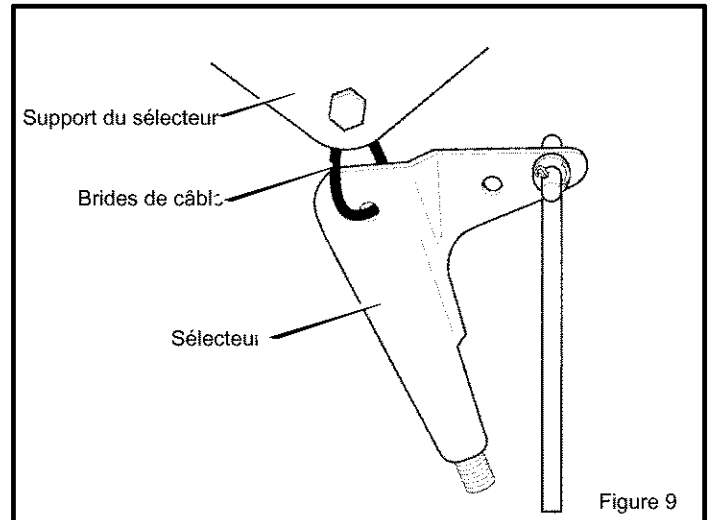
1. Si les câbles de commande se sont détachés du cadre du moteur, rebrancher les câbles comme indiqué en Figure 8.
2. Réglage é ventuel, voir "Réglage Des Câbles de Commande des Roues" dans la section consacrée à la RÉGLAGES/REPARATIONS.
3. Faire rouler l'unité pour la sortir du patin en tirant sur les poignées.



MONTAGE

SÉLECTEUR DE VITESSE

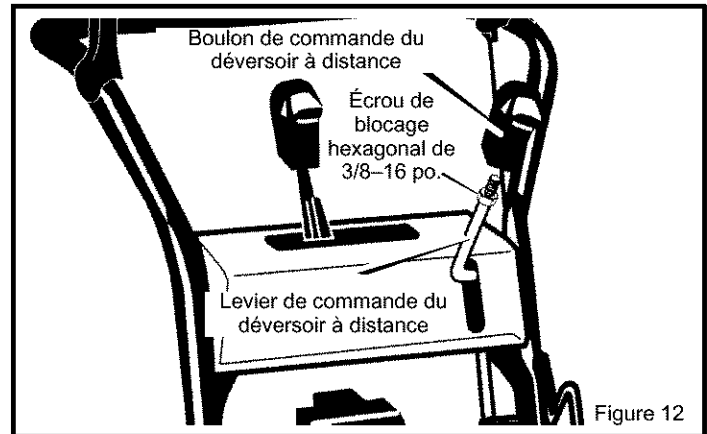
1. Couper l'attache en plastique maintenant le sélecteur de vitesse au support du sélecteur. (Voir Figure 9)
2. Déposer l'écrou de blocage, la rondelle, le ressort et le boulon. (Voir Figure 11)
3. Placer le sélecteur de vitesse comme illustré en Figure 10.
4. Reposer le boulon, le ressort, la rondelle et l'écrou de blocage. (Voir Figure 11)
5. Serrer l'écrou de blocage jusqu'à ce que 1/8 à 3/16 po du boulon dépasse de l'écrou de blocage.
6. Visser l'écrou de 3/8–16 po sur le sélecteur jusqu'à ce que l'écrou atteigne le bas du filet. (Voir Figure 11)
7. Visser le pommeau en plastique le plus possible et s'assurer que le pommeau est dirigé vers l'avant.
8. Serrer fermement l'écrou de 3/8–16 po contre le pommeau.
9. Déplacer le sélecteur à toutes les vitesses pour s'assurer de la bonne tension du ressort. Si le sélecteur se coince dans les encoches, desserrer l'écrou de blocage de 1/2 tour jusqu'à ce que le sélecteur se déplace plus librement.
10. Si un réglage est nécessaire, les vitesses chasse-neige voir "Réglage du Disque de Friction" dans la section consacrée à la REGLAGES/REPARATIONS.



MONTAGE

POIGNÉE DE COMMANDE DU DÉVERSOIR À DISTANCE

1. Visser l'écrou de blocage de 3/8–16 po. sur le levier jusqu'à ce que l'écrou atteigne le bas du filet. (Voir Figure 12)
2. Visser le boulon en plastique autant que possible et s'assurer que le boulon pointe bien vers l'avant.
3. Serrer l'écrou de blocage de 3/8–16 po. contre le boulon.
4. Retirer bride de câble de la goulotte et lire et retirer corde étiquette.



Le phare votre chasse-neige est positionné haute de l'expédition. Tourner dirigé en position de fonctionnement.

REMARQUE : Ce chasse-neige a été expédié AVEC huile. Avant tout, consulter les instructions "Avant de démarrer le moteur" dans la section "Fonctionnement" de ce manuel.

UTILISATION

Apprendre à connaître le chasse-neige et ses commandes. Lire et bien comprendre les conseils de sécurité donnés en page 2.

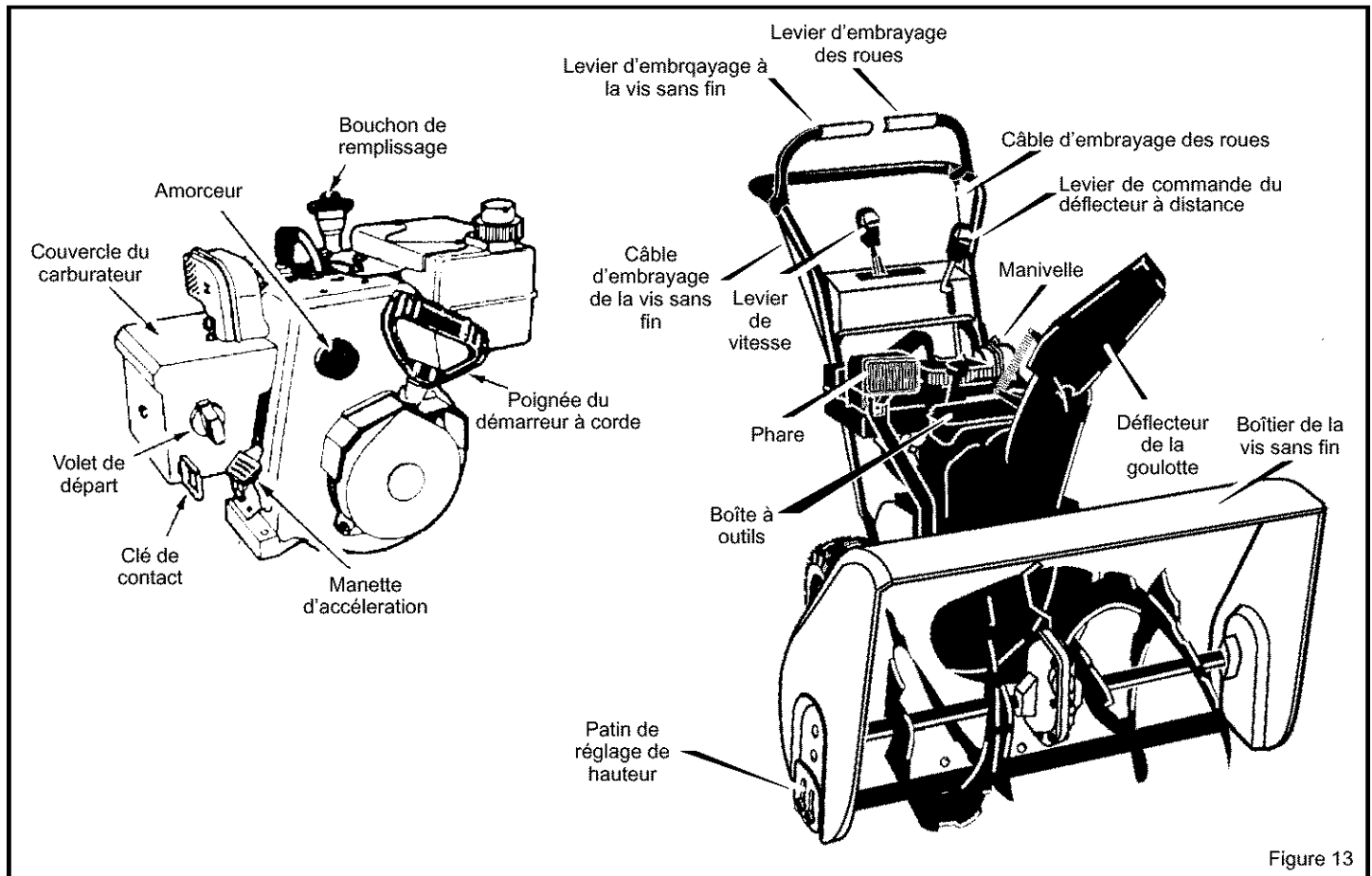


Figure 13

COMMANDES DU MOTEUR ET DU CHASSE-NEIGE

Voir Figure 13

Les commandes du moteur et leurs fonctions sont expliquées ci-dessous.

Manette d'accélération– La manette d'accélération qui contrôle le régime du moteur est montée sur le moteur.

Levier du volet de départ– Placer le levier du volet de départ à la position "ON" pour la mise en marche du moteur à froid.

Amorceur– Ce bouton sert à injecter de l'essence directement dans le collecteur du carburateur pour faciliter la mise en marche par temps froid.

Clé de contact– Elle doit être insérée dans la fente prévue à cet effet afin de démarrer le moteur. Retirer la clé pour arrêter le moteur. Ne pas tourner cette clé.

Poignée du démarreur– Ce chasse-neige est équipé d'un démarreur à corde.

Les commandes du chasse-neige et leurs fonctions sont expliquées ci-dessous.

Levier de vitesse– Ce levier permet de choisir l'une des six (6) vitesses avant et des deux (2) vitesses arrière. Il suffit de placer le levier dans la position voulue.

REMARQUE: Ne pas manœuvrer ce levier lorsque les roues sont embrayées car le mécanisme d'embrayage serait sérieusement endommagé.

Levier d'embrayage de la vis sans fin– Ce levier sert à embrayer et à débrayer la vis sans fin et la turbine. Pousser le levier pour embrayer et le relâcher pour débrayer.

Levier d'embrayage des roues– Ce levier sert à embrayer et à débrayer la marche avant ou la marche arrière. Pousser le levier pour embrayer et le relâcher pour débrayer.

Déflecteur de la goulotte– Il change le sens d'éjection de la neige

Levier de commande du déflecteur à distance– Pousser le levier de commande à distance vers l'avant pour éjecter la neige en hauteur et à une grande distance. Tirer sur le levier de commande à distance pour éjecter la neige vers le bas.

Manivelle– La manivelle sert à orienter la goulotte. Tourner la manivelle dans le sens des aiguilles d'une montre pour tourner la goulotte vers la droite ou dans le sens inverse pour la tourner vers la gauche.

Patins– Les patins permettent de modifier la garde au sol du boîtier de la vis sans fin (voir "Réglages de patins" dans la partie Réglages/Réparation de ce manuel).

Boîte à outils– Vous y trouverez des goupilles de cisaillement et des entretoises.

UTILISATION



L'utilisation d'un chasse-neige peut provoquer la pénétration de corps étrangers dans les yeux et entraîner des blessures. Toujours porter des lunettes de sécurité ou une visière pour travailler avec le chasse-neige. Des lunettes de sécurité et des visières sont en vente dans les magasins de vente au détail.

UTILISATION DU CHASSE-NEIGE

L'utilisation la plus efficace du chasse-neige sera déterminée par l'expérience, en tenant compte de la nature du terrain, du vent et de la position des bâtiments, en particulier pour déterminer la direction d'éjection de la neige.

REMARQUE: Ne pas projeter la neige vers un bâtiment car des corps étrangers pourraient être pris par la vis sans fin et éjectés violemment.

1. Mettre le moteur en marche comme indiqué au paragraphe "Mise en marche du moteur".
2. Régler le déflecteur de la goulotte. Pousser le levier de commande du déflecteur à distance pour éjecter la neige en hauteur et à distance, et tirer le déflecteur de la goulotte à distance en arrière pour éjecter la neige vers le bas (voir Figure 15).
3. Orienter la goulotte à l'aide de la manivelle pour projeter la neige dans le sens du vent.
4. Choisir la vitesse appropriée en fonction des conditions de travail comme indiqué ci-dessous et régler le levier de vitesse à la position voulue.

REMARQUE: Toujours relâcher la poignée d'embrayage des roues avant de manœuvrer le levier de vitesse.

La vitesse de déplacement est déterminée par les conditions de la neige. Choisir la vitesse en déplaçant le levier de vitesse dans la partie colorée du panneau comme indiqué ci-dessous.

Rouge Neige humide, lourde et très profonde

Orange Neige moyenne

Blanc Neige très légère

Vert Position de transport seulement

REMARQUE: Lors de déneigement de neige lourde et humide, il est conseillé de réduire la vitesse de déplacement, de maintenir le moteur à plein régime et de ne pas dégager la neige sur toute la largeur de la machine.

Pour tous renseignements supplémentaires se reporter à la section "Conseils d'utilisation" de ce manuel.

5. Embrayer la vis sans fin à l'aide de la poignée d'embrayage (droite—Figure 16).

IMPORTANT: S'assurer que personne ni aucun obstacle ne soit devant la machine avant d'embrayer la vis sans fin (Figure 16).

6. Embrayer la commande des roues avec la poignée gauche (Figure 16). Lorsque le chasse-neige commence à se déplacer, bien maintenir les poignées sur le guidon et guider le chasse-neige dans la direction voulue. Ne pas pousser le chasse-neige.



AVERTISSEMENT: Lire le manuel avant d'utiliser le chasse-neige. Cette machine peut être dangereuse si elle est mal utilisée.

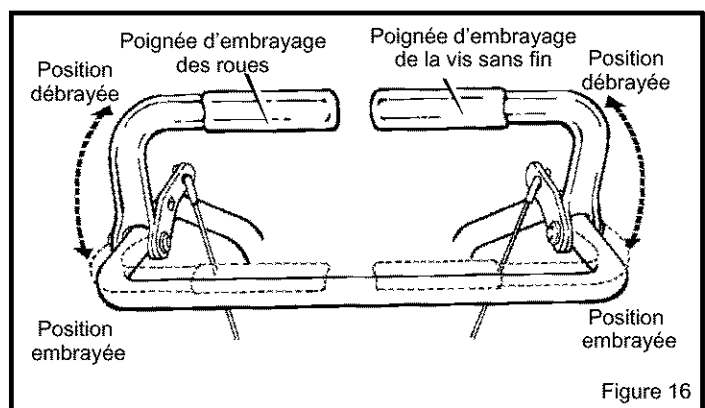
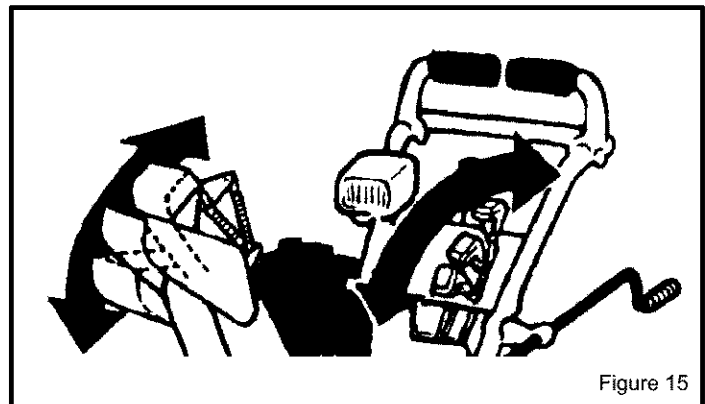
Ne jamais utiliser le chasse-neige sans les protecteurs et les couvercles en place.

Ne jamais projeter la neige vers des fenêtres et ne laisser personne se tenir à proximité de la machine en marche.

Arrêter le moteur avant de laisser la machine sans surveillance.

Débrancher le fil de la bougie avant de débarrasser la neige de la goulotte ou de la vis sans fin et avant de procéder à toute intervention de réglage ou d'entretien. Retirer la clé de contact avant de quitter la machine. Retirer la clé de contact avant de s'éloigner de la machine.

Pour réduire les risques d'incendie éliminer l'essence renversée, l'huile ou les débris de la machine.



UTILISATION

7. Pour arrêter le déplacement de la machine, relâcher la poignée de l'embrayage des roues (poignée gauche – Figure 16).
8. Pour arrêter la vis sans fin, relâcher la poignée d'embrayage de la vis sans fin (poignée droite – Figure 16).
9. Pour faire reculer le chasse-neige, placer le levier de vitesse en première ou deuxième vitesse de marche arrière et embrayer les roues (poignée gauche). Pour arrêter le chasse-neige, relâcher la poignée d'embrayage.



AVERTISSEMENT: Ne jamais faire fonctionner le moteur à l'intérieur d'un local ou dans un endroit mal ventilé. Les fumées d'échappement contiennent de l'OXYDE DE CARBONE qui est un gaz INODORE et MORTEL.

Ne pas approcher les pieds, les mains les cheveux ou des vêtements lâches des pièces mobiles du moteur et du chasse-neige.

Le silencieux et les pièces avoisinantes peuvent atteindre une température de 150°F (66°C) Ne pas les toucher.

NE PAS permettre à des enfants d'utiliser le chasse-neige ou de se tenir à proximité lorsqu'il est en marche.

GOUPILLE DE BLOCAGE DE ROUE

1. La roue gauche est fixée à l'essieu par une goupille à anneau. Ce chasse-neige a été expédié avec la goupille en position de blocage (Figure 17).
2. Pour augmenter la maniabilité dans de la neige légère, retirer la goupille de sa position de blocage et l'engager dans le trou pour une roue motrice (Figure 18). S'assurer que la goupille est dans la position correspondant à une seule roue motrice et non pas en position de blocage.

REMARQUE: Pression de gonflage des pneus (14 pounds). La pression dégonflage maximale est indiquée sur le flanc du pneu. ne pas excéder la pression de gonflage indiquée.



AVERTISSEMENT: Ne pas retirer d'objets coincés dans la vis sans fin sans prendre les précautions suivante:

- Débrayer la vis sans fin et les roues avec les poignées du guidon.
- Ramener la manette d'accélération à la position d'ARRÊT (STOP).
- Retirer la clé de contact.
- Débrancher le fil de la bougie.
- Ne pas engager les mains dans la vis sans fin ou la goulotte. Utiliser un morceau de bois ou de fer.

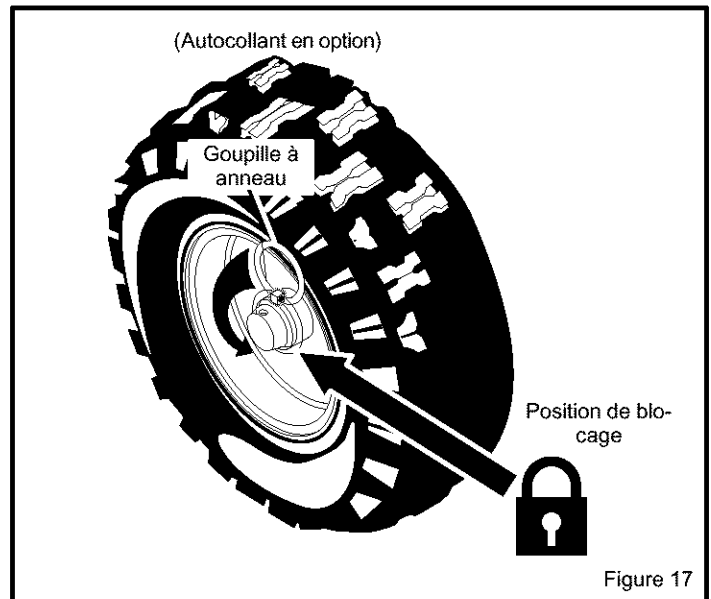


Figure 17

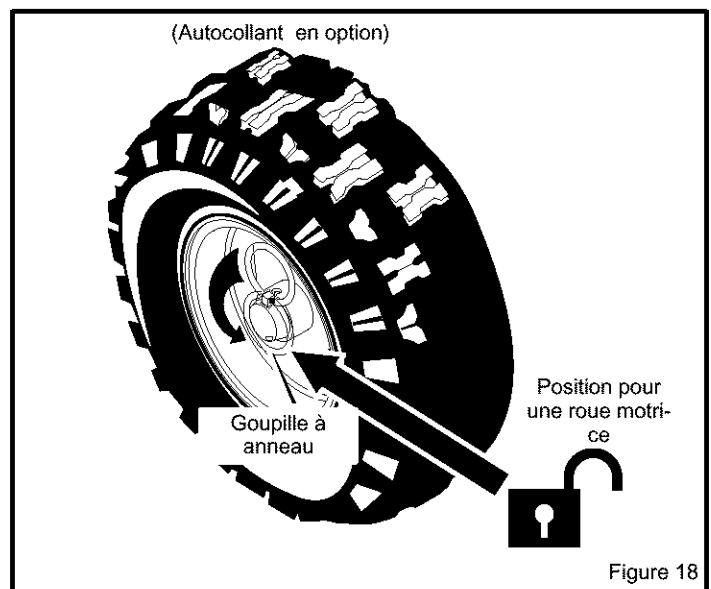


Figure 18

UTILISATION

AVANT LA MISE EN MARCHÉ DU MOTEUR

Vérification de l'huile

REMARQUE : le moteur a quitté l'usine rempli d'huile. Vérifier le niveau d'huile. En ajouter autant que nécessaire. Suivre les instructions du fabricant de ce moteur au sujet de l'utilisation de l'essence et de l'huile.

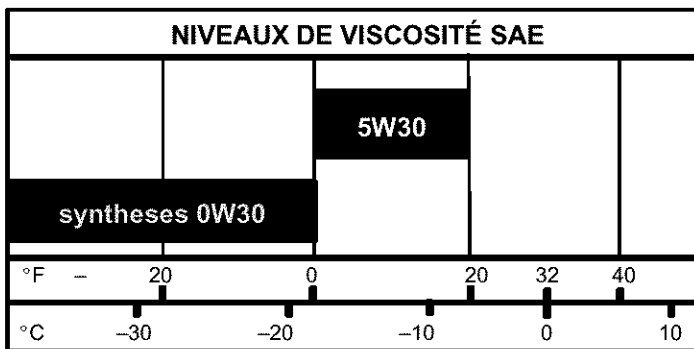
1. Veiller à ce que la chasse-neige soit à niveau.
REMARQUE : Ne pas inspecter le niveau d'huile lorsque la chasse-neige est en marche.
2. Retirer le bouchon de vidange et verser l'huile jusqu'à vérifier l'huile.
3. Si nécessaire, ajouter le bouchon de vidange et verser l'huile jusqu'à atteindre la marque FULL (plein) sur la jauge (Figure 19). Veiller à ne pas dépasser la marque indiquée.

REMARQUE: Pour des températures de 0°F et au dessous de 0°F, utiliser une huile de synthèse partielle 0W30 pour faciliter le démarrage.

REMARQUE: L'huile S.A.E. 5W30 conviendra pour des températures au dessous de 20° F.

REMARQUE: POUR L'HUILE PRÉCONISÉE, VOIR LE TABLEAU .

TEMPÉRATURE	TYPE d'HUILE
0°F (-18° C) et en dessous	Huile de moteur de synthèse 0 W30
Entre 20° F (-7° C) et 0° F (-18° C)	5W30 S.A.E.



REEMPLIR D'ESSENCE

1. Remplir le réservoir d'essence avec de l'essence ordinaire propre, de l'essence sans plomb ou de l'essence nouvelle formule. **NE PAS** utiliser de l'essence de plomb.

REMARQUE: L'essence d'hiver est plus volatile et facilite la mise en marche. S'assurer que le bidon d'essence est propre et ne contient aucune particule de rouille ni corps étrangers. Ne jamais utiliser d'essence qui a été stockée pendant trop longtemps.



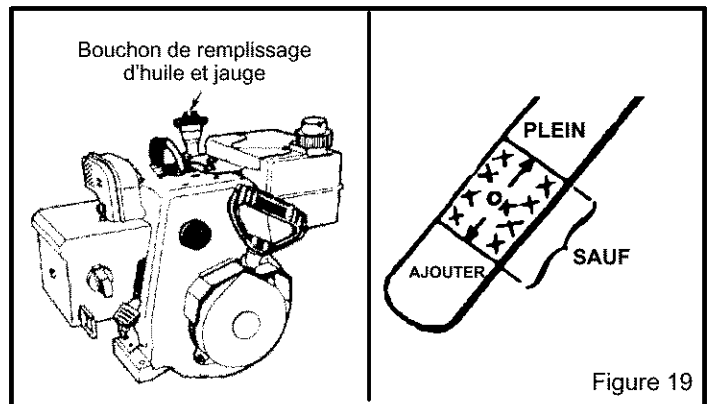
AVERTISSEMENT: NE PAS utiliser d'essence contenant de l'alcool car le moteur risquerait d'être sérieusement endommagé ou son rendement serait considérablement réduit.

2. S'assurer que la bougie est fermement serrée dans le moteur et que le fil est branché sur la bougie. Serrer la bougie au couple de 18 à 23 pi-lb.



AVERTISSEMENT: L'essence est inflammable et exige des précautions particulières. Ne pas remplir le réservoir du chasse-neige pendant que le moteur est en marche ou est encore chaud ou lorsque la machine est dans un local fermé. Ne pas approcher de flamme d'étincelles électriques et **NE PAS FUMER** pendant le remplissage du réservoir. Ne jamais remplir le réservoir complètement et laisser environ 1/4 à 1/2 po au sommet du réservoir pour la dilatation de l'essence. Toujours remplir le réservoir à l'extérieur d'un local et utiliser un entonnoir approprié. Essuyer l'essence renversée avant de remettre le moteur en marche.

Garder l'essence dans un récipient homologué et propre et maintenir le bouchon du récipient fermé. Garder l'essence dans un local frais et bien aéré jamais à l'intérieur d'une maison. Ne pas stocker de quantité d'essence supérieure aux besoins de 30 jours pour en maintenir la volatilité appropriée. L'essence est destinée à être utilisée comme carburant pour les moteurs à combustion interne, par conséquent ne jamais utiliser d'essence dans un autre but. Comme certains enfants aiment l'odeur de l'essence garder les récipients d'essence hors de leur portée car les émanations sont dangereuses à respirer et explosives.



AVANT L'ARRÊT

Faire tourner le moteur pendant quelques minutes pour sécher toute humidité présente.

Pour éviter le blocage potentiel du démarreur, procéder comme suit :

Lanceur à rappel automatique :

Lorsque le moteur tourne, tirer trois ou quatre fois, rapidement et de manière continue, sur la corde de démarrage.

REMARQUE: le son inhabituel émis en tirant sur la corde de démarrage ne nuira pas au moteur ou au démarreur.

Démarreur électrique :

1. Brancher le cordon d'alimentation au boîtier interrupteur, puis le brancher dans la prise murale.

UTILISATION

- Lorsque le moteur tourne, appuyer sur le bouton du démarreur, puis faire tourner le démarreur pendant quelques secondes.

REMARQUE: le son inhabituel émis en faisant tourner le démarreur ne nuira pas au moteur ou au démarreur.

- Débrancher le cordon d'alimentation de la prise murale d'abord, puis du boîtier interrupteur.

MISE EN MARCHÉ DU MOTEUR

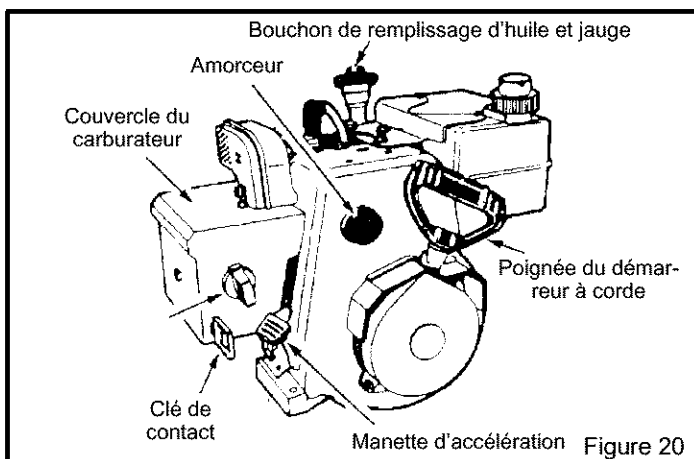
S'assurer que le moteur contient une quantité d'huile suffisante.

Le moteur du chasse-neige est équipé d'un démarreur à corde.

MISE EN MARCHÉ DU MOTEUR FROID (DÉMARREUR À CORDE) (VOIR FIGURE 20)

(Moteur resté à l'arrêt pendant un certain temps)

- S'assurer que la commande de la vis sans fin et la commande des roues sont débrayées et que les leviers respectifs sont RELÂCHÉS sur le guidon.



- POUR DES TEMPÉRATURES AU DESSUS DE -18°C (0°F)

Placer la commande des gaz en position "FAST".

- POUR DES TEMPÉRATURES AU DESSOUS DE -18°C (0°F)

Placer la commande des gaz en position "1/2 ACCÉLÉR.". Avant d'engager la manette d'embrayage d'entraînement des lames, laisser le moteur chauffer pendant cinq minutes, en gardant l'unité immobile. Sinon, le moteur pourrait être endommagé.

- Engager la clé de contact dans sa fente. S'assurer qu'elle est bien enclenché. Ne pas tourner la clé.
- Tourner le bouton du volet de départ à la position allumé. Ne pas appuyer sur l'amorceur.

REMARQUE: Ne pas enclencher le volet de départ si le moteur est chaud (Voir "Mise en marche du moteur chaud").

- Appuyer deux fois sur l'amorceur. Ne pas utiliser l'amorceur si la température est au-dessus de 50°F .

Amorcer deux fois si la température est entre 50°F et 15°F .

Amorcer quatre fois si la température est au-dessous de 15°F .

REMARQUE: Couvrir les trous d'aération lorsque l'on appuie sur le bouton d'amorçage. Retirer le doigt des trous d'aération entre chaque pression.

- Tirer rapidement sur la manette de démarrage (Figure 20), et la laisser se rembobiner lentement tout en la maintenant fermement.
- Pendant le réchauffement du moteur, tourner lentement le bouton du volet de départ vers la position 1/2 allumé. Si le moteur a des ratés, fermer le volet de départ à mi-course jusqu'à ce que le moteur tourne normalement. Le placer ensuite à la position éteint.

REMARQUE: Laisser le moteur chauffer pendant quelques minutes avant de souffler la neige lorsque les températures sont au-dessous de 0°F .

- Faire fonctionner le moteur à son régime maximum ou presque.
- Pour arrêter le moteur, ramener la manette d'accélération à la position d'arrêt. Retirer la clé. Ne pas tourner la clé.

MISE EN MARCHÉ DU MOTEUR CHAUD (DÉMARREUR À CORDE)

(Moteur encore chaud d'une récente utilisation)

- S'assurer que la commande de la vis sans fin et la commande des roues sont débrayées et que les leviers respectifs sont RELÂCHÉS sur le guidon.

- POUR DES TEMPÉRATURES AU DESSUS DE -18°C (0°F)

Placer la commande des gaz en position "FAST".

- POUR DES TEMPÉRATURES AU DESSOUS DE -18°C (0°F)

Placer la commande des gaz en position "1/2 ACCÉLÉR.". Avant d'engager la manette d'embrayage d'entraînement des lames, laisser le moteur chauffer pendant cinq minutes, en gardant l'unité immobile. Sinon, le moteur pourrait être endommagé.

- Engager la clé de contact dans sa fente. S'assurer qu'elle est bien enclenché. Ne pas tourner la clé.
- Tourner le bouton du volet de départ à la position éteint. Ne pas appuyer sur l'amorceur.
- Tirer rapidement sur la manette de démarrage (Figure 20), et la laisser se rembobiner lentement tout en la maintenant fermement.
- Si le moteur ne démarre pas après plusieurs tentatives, tourner le bouton du volet de départ sur la position allumé et répéter les opérations du paragraphe.
- Lorsque le moteur démarre, tourner graduellement le bouton du volet de départ jusqu'à la position éteint.

REMARQUE: Laisser le moteur chauffer pendant quelques minutes avant d'évacuer la neige lorsque les températures sont au-dessous de 0°F (-18°C).

UTILISATION

8. Faire tourner le moteur à son régime maximum ou presque.
9. Pour arrêter le moteur, ramener la manette d'accélération à la position d'arrêt. Retirer la clé. Ne pas tourner la clé.

Pour éviter le gel possible du démarreur à corde ou des commandes du moteur, procéder comme suit après chaque utilisation du chasse-neige.

1. Avec le moteur en marche, tirer fortement sur la corde du démarreur d'un mouvement continu trois ou quatre fois. Cette manœuvre produira un bruit fort qui n'indique aucune anomalie ni dégât au moteur ou au démarreur.
2. Avec le moteur à l'arrêt, essuyer toute la neige et l'humidité du levier de couvercle du carburateur à proximité du levier de commande. Manœuvrer également les leviers sur toute leur course plusieurs fois.

IMPORTANT: Après chaque utilisation du chasse-neige, arrêter le moteur, retirer la clé de contact, éliminer les accumulations de neige et essuyer la machine. Ranger le chasse-neige dans un endroit protégé.

REMARQUE: Ne jamais couvrir le chasse-neige lorsque le moteur et le système d'échappement sont encore chauds.

UTILISATION DU DÉMARREUR ÉLECTRIQUE

(modèles qui en sont équipés)



AVERTISSEMENT: Ce démarreur est équipé d'un cordon électrique et d'une prise à trois conducteurs et est prévu pour fonctionner sur du courant alternatif de 120 volts. Il doit être convenablement mis à la terre pour éviter les risques de chocs électriques possibles qui peuvent être dangereux pour le conducteur. Respecter toutes les directives attentivement comme indiqué ci-dessous.

S'assurer que le câblage électrique de la maison est un câblage à trois conducteurs. Consulter un électricien compétent en cas de doute. S'il ne s'agit pas d'un câblage à trois conducteurs et mis à la masse, ne jamais utiliser le démarreur électrique.

Si le câblage est approprié mais qu'une prise à trois trous n'existe pas au point ou le démarreur est normalement utilisé, une telle prise doit être posée par un électricien compétent.



AVERTISSEMENT: Lors du branchement d'un cordon électrique de 120 volts, toujours brancher le cordon électrique au boîtier électrique situé sur le moteur d'abord et ensuite dans la prise à trois trous du circuit électrique résidentiel.



AVERTISSEMENT: Lors du débranchement du cordon électrique, toujours débrancher le cordon de la prise résidentielle d'abord.

MISE EN MARCHÉ DU MOTEUR FROID (DÉMARREUR ÉLECTRIQUE) (VOIR FIGURE 21 ET FIGURE 22)

(Moteur resté à l'arrêt pendant un certain temps.)

REMARQUE: Ne pas appuyer sur l'amorceur avec le démarreur électrique de 120 volts.

1. S'assurer que la commande de la vis sans fin et la commande des roues sont débrayées et que les leviers respectifs sont RELÂCHÉS sur le guidon.
2. **POUR DES TEMPÉRATURES AU DESSUS DE -18°C (0°F)**
Placer la commande des gaz en position "FAST".
POUR DES TEMPÉRATURES AU DESSOUS DE -18°C (0°F)
Placer la commande des gaz en position "1/2 ACCÉLÉR". Avant d'engager la manette d'embrayage d'entraînement des lames, laisser le moteur chauffer pendant cinq minutes, en gardant l'unité immobile. Sinon, le moteur pourrait être endommagé.
3. Engager la clé de contact dans sa fente. S'assurer qu'elle est bien enclenché (Figure 21). Ne pas tourner la clé.

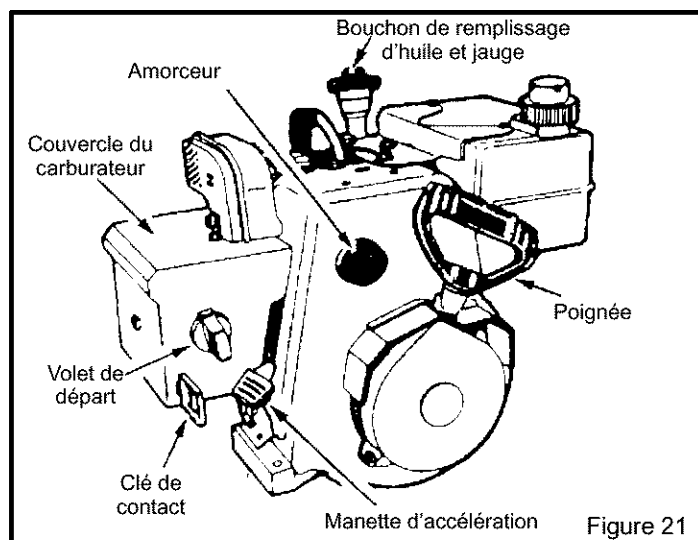


Figure 21

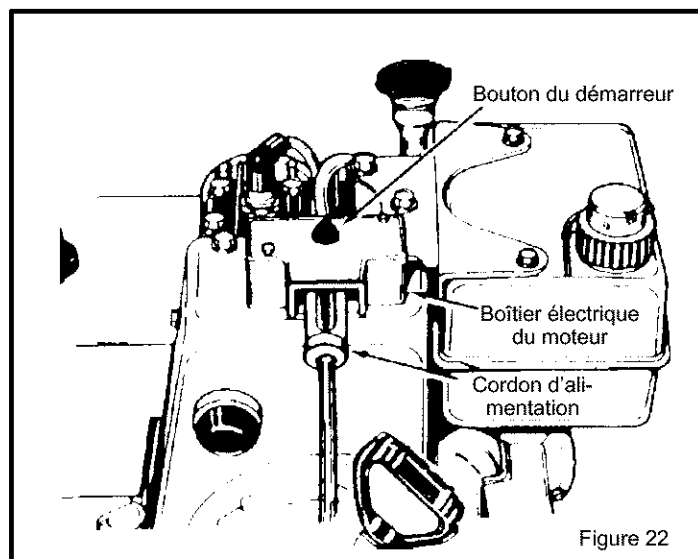


Figure 22

UTILISATION

4. Tourner le bouton du volet de départ à la position éteint pour ouvrir le volet (Figure 21).
5. Brancher le CORDON ÉLECTRIQUE au BOÎTIER du moteur (Figure 22).

6. Brancher l'autre extrémité du CORDON dans une prise murale de courant alternatif de 120 volts MISE À LA TERRE. (Lire les avertissements au début de ce paragraphe.)

REMARQUE : Couvrir les trous d'aération lors de l'activation de l'amorceur. Bien retirer votre doigt entre chaque pression.

7. Activer l'amorceur comme suit :
Températures supérieures à 50° F (10° C) : NE PAS AMORCER.
Températures entre 50° F (10° C) et 15°F (-10° C), : AMORCER DEUX FOIS.
Températures inférieures à 15° F (-10° C) : AMORCER QUATRE FOIS.

8. MISE EN MARCHÉ DU MOTEUR:

- a. Appuyer sur le BOUTON DU DÉMARREUR (Figure 22) pour mettre le moteur en marche.
- b. Tourner le bouton du VOLET DE DÉPART à la position allumé pendant que le moteur est entraîné par le démarreur.

REMARQUE: Le démarreur comporte une protection thermique. En cas de surchauffe il s'arrêtera automatiquement et ne peut être remis en marche qu'après refroidissement à une température appropriée (5 à 10 minutes d'attente).

- c. Après le démarrage du moteur, relâcher le BOUTON DU DÉMARREUR et ramener graduellement le bouton du VOLET DE DÉPART à la position éteint.
 - d. Si le moteur a des ratés, placer immédiatement le VOLET DE DÉPART à la position allumé, puis graduellement sur à la position éteint.
 - e. Débrancher le CORDON ÉLECTRIQUE de la prise murale d'abord et ensuite du CHASSE-NEIGE.
9. Une fois le moteur démarré, relâcher le bouton du volet de départ et le placer en position "1/2 volet de départ". Lorsque le moteur est chaud, déplacer le volet de départ vers la position éteint.

REMARQUE: Laisser le moteur chauffer pendant quelques minutes avant de souffler la neige lorsque les températures sont au dessous de 0°F.

10. Faire tourner le moteur à son régime maximum ou presque.
11. Pour arrêter le moteur, ramener la manette d'accélération à la position d'arrêt. Retirer la clé. Ne pas tourner la clé.

Si le moteur ne peut pas être mis en marche selon la méthode indiquée ci-dessus, le faire vérifier par un atelier de réparation homologué par Sears.

MISE EN MARCHÉ DU MOTEUR CHAUD (DÉMARREUR ÉLECTRIQUE)

(Moteur encore chaud d'une récente utilisation).

F-001008J

Procéder comme indiqué ci-dessous.

REMARQUE: Un moteur chaud peut être mis en marche amorçage du volet de départ.

1. S'assurer que la commande de la vis sans fin et la commande des roues sont débrayées et que les leviers respectifs sont RELÂCHÉS sur le guidon.

2. POUR DES TEMPÉRATURES AU DESSUS DE -18°C (0°F)

Placer la commande des gaz en position "FAST".

2. POUR DES TEMPÉRATURES AU DESSOUS DE -18°C (0°F)

Placer la commande des gaz en position "1/2 ACCÉLÉR.". Avant d'engager la manette d'embrayage d'entraînement des lames, laisser le moteur chauffer pendant cinq minutes, en gardant l'unité immobile. Sinon, le moteur pourrait être endommagé.

3. Engager la clé de contact dans sa fente. S'assurer qu'elle est bien enclenché. Ne pas tourner la clé.
4. Tourner le bouton du volet de départ à la position éteint pour ouvrir le volet (Figure 21).
5. Brancher le CORDON ÉLECTRIQUE au BOÎTIER du moteur (Figure 22).
6. Brancher l'autre extrémité du CORDON dans une prise murale de courant alternatif de 120 volts MISE A LA TERRE (Lire les avertissements au début de ce paragraphe).
7. MISE EN MARCHÉ DU MOTEUR:

- a. Appuyer sur le BOUTON DU DÉMARREUR (Figure 22) pour mettre le moteur en marche.

- b. Tourner le bouton de VOLET DE DÉPART sur la position allumé pendant que le moteur est entraîné par le démarreur.

REMARQUE: Le démarreur comporte une protection thermique. En cas de surchauffe il s'arrêtera automatiquement et ne peut être remis en marche qu'après refroidissement à une température appropriée (5 à 10 minutes d'attente).

- c. Après le démarrage du moteur, relâcher le BOUTON DU DÉMARREUR et ramener graduellement le bouton du VOLET DE DÉPART à la position éteint.
 - d. Si le moteur a des ratés, placer immédiatement le bouton du VOLET DE DÉPART sur la position allumé, puis progressivement vers la position éteint.
 - e. Débrancher le CORDON ÉLECTRIQUE de la prise murale d'abord et ensuite du CHASSE-NEIGE.
8. Faire tourner le moteur à son régime maximum ou presque.
 9. Pour arrêter le moteur, ramener la manette d'accélération a la position d'arrêt. Retirer la clé. Ne pas tourner la clé.

Si le moteur ne peut pas être mis en marche selon la méthode indiquée ci-dessus, le faire vérifier par un atelier de réparation homologué par Sears.

REMARQUE: Ne pas perdre la clé de contact. La garder dans un endroit sûr. Le moteur ne peut pas démarrer sans cette clé.

UTILISATION

CONSEILS D'UTILISATION

1. Pour obtenir le meilleur rendement du chasse-neige régler la vitesse de déplacement, sans toucher au régime du moteur. **NE PAS OUBLIER** que si les roues patinent, la vitesse d'avancement doit être réduite. Le moteur est prévu pour fonctionner au mieux à plein régime et doit toujours être maintenu au régime maximum.
2. Les meilleurs résultats s'obtiennent lorsque le travail s'effectue immédiatement après une chute de neige.
3. Faire légèrement chevaucher les différents passages du chasse-neige.
4. Souffler la neige dans le sens du vent dans toute la mesure du possible.
5. Normalement, régler les patins à 1/8 pouce (3mm) sous le bord d'attaque. Dans de la neige très dure et tassée, les patins peuvent être réglés vers le haut pour mieux nettoyer les surfaces enneigées.
6. Sur des surfaces de gravier, les patins doivent être réglés à 1-1/4 pouce (32mm) sus le bord d'attaque (Voir "Réglage des patins"). De cette façon, le gravier ne sera pas pris par la vis sans fin ni soufflé par la machine.
7. À la fin du travail, laisser le moteur tourner au ralenti pendant quelques minutes pour faire fondre la neige et la glace accumulée sur le moteur.
8. Éliminer la glace et la neige de la machine pour éviter les obstructions et les dégâts possibles lors de l'utilisation suivante.
9. Avant de mettre le chasse-neige en marche, toujours vérifier que les vis sans fin et la turbine ne sont pas obstruées par des accumulations de glace et/ou de débris qui pourraient provoquer des dégâts au chasse-neige.
10. Vérifier le niveau d'huile avant chaque mise en marche. Remplir d'huile jusqu'au repère identifié "SAFE" avant d'utiliser le chasse-neige.

Procéder comme suit pour éviter le givrage du démarreur.

Démarreur à corde:

Le moteur étant en marche, tirer à fond sur la corde du démarreur d'un mouvement rapide trois ou quatre fois.

REMARQUE: Le bruit inhabituel que cette opération provoque n'entraîne aucun inconvénient pour le moteur ou le démarreur.

Démarreur électrique:

1. Brancher le cordon d'alimentation au boîtier électrique et ensuite à une prise de 120 volts de courant alternatif.
2. Le moteur étant en marche, appuyer sur le bouton du démarreur pour le faire tourner pendant plusieurs secondes.

REMARQUE: Le bruit inhabituel que cette opération provoque n'entraîne aucun inconvénient pour le moteur ou le démarreur.

3. Débrancher le CORDON ÉLECTRIQUE de la prise murale d'abord et ensuite du CHASSE-NEIGE.

CALENDRIER D'ENTRETIEN

CALENDRIER D'ENTRETIEN									
PROCÉDURE		APRÈS LES 2 PREMIÈRES HEURES	AVANT CHAQUE UTILISATION	FRÉQUEMENT	TOUTES LES 5 HEURES	TOUTES LES 10 HEURES	TOUTES LES 25 HEURES	AU DÉBUT DE CHAQUE SAISON	AVANT LE REMISAGE
CHASSE-NEIGE	Serrage de tous les écrous et vis	√		√				√	
	Vérification du câble d'embrayage des roues (voir "Réglage des câbles")	√						√	
	Vérification du câble d'embrayage de la vis sans fin (voir "Réglage des câbles")	√						√	
	Réglage des courroies	√					√	√	
	Lubrifier les chaînes et l'arbre hexagonal							√	√
	Graissage de l'arbre de vis sans fin (voir "Remplacement des boulons de cisaillement")					√			√
MOTEUR	Vérification du niveau d'huile du moteur		√		√			√	
	Vidange de l'huile du moteur						√	√	

La garantie de ce chasse-neige ne couvre pas les pièces qui ont été soumises à des abus ou qui ont été négligées. Pour bénéficier de la garantie, l'utilisateur doit entretenir son chasse-neige selon les directives de ce manuel. Le **Calendrier d'entretien** suivant est destiné à aider l'utilisateur à entretenir le chasse-neige convenablement. Il ne s'agit que d'un tableau. Les réglages dont il est question sont expliqués au chapitre "Réglages/Réparations" de ce manuel.

APRÈS CHAQUE UTILISATION

1. Vérifier que les pièces ne soient pas lâches ou endommagées.
2. Resserrer les attaches si nécessaire.
3. Vérifier et maintenir en place la vis sans fin.
4. Après chaque utilisation, retirer toute la neige, même fondue, du chasse-neige afin d'empêcher le gel de la vis sans fin ou des commandes.
5. Vérifier les commandes afin de s'assurer qu'elles fonctionnent correctement.
6. Toute pièce endommagée ou lâche doit être remplacée immédiatement.

RESPONSABILITÉS DE CLIENT

Certains réglages sont nécessaires périodiquement pour maintenir le chasse-neige en bon état.

Tous les réglages indiqués au chapitre RÉGLAGES/RÉPARATIONS de ce manuel doivent être effectués au moins une fois par saison.

CHASSE-NEIGE

Les réglages suivants doivent être effectués plus d'une fois par saison.

Courroies de la vis sans fin et des roues – Vérifier la tension des courroies après les 2 à 4 premières heures d'utilisation et à la mi-saison par la suite. Vérifier ensuite deux fois par saison. (Voir le paragraphe "Réglages des courroies" dans la section Réglages/Réparations)

COMME REQUIS

Boîtier de renvoi de la vis sans fin

Le boîtier de renvoi de la vis est graissé en usine et n'exige aucun graissage supplémentaire.

Si, pour une raison quelconque, la graisse a fui ou si le boîtier de renvoi a été réparé, ajouter de la graisse Lubriplate GR132 ou une graisse équivalente. La contenance maximale est de 3-1/4 oz (92 g).

Déposer le bouchon de remplissage D (Figure 23, Figure 24) une fois par an. Si la graisse est visible, ne pas en ajouter. Si la graisse n'est pas visible, faire pénétrer un morceau de fil de fer dans le boîtier pour déterminer s'il contient de la graisse. Les graisses Mobilux EP1, Shell Aldania EP1 sont des graisses appropriées.

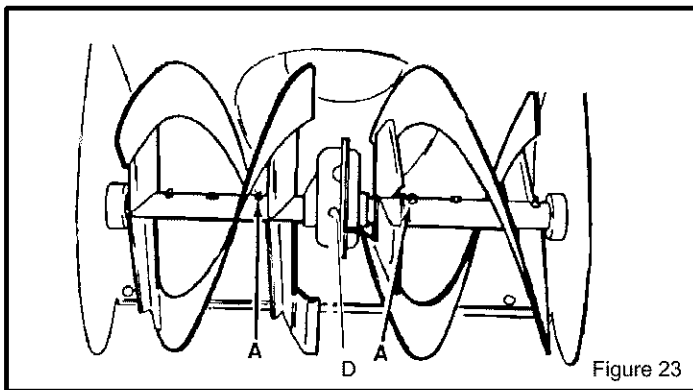


Figure 23

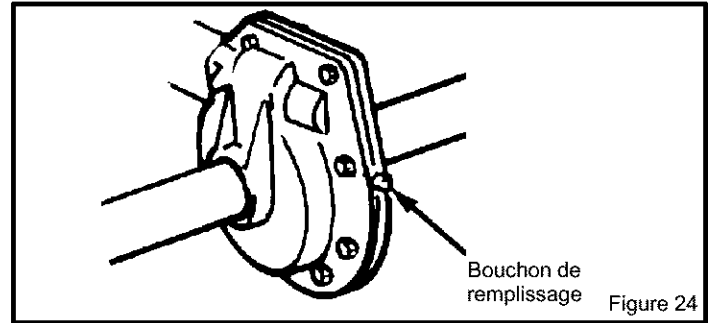


Figure 24

LUBRIFICATION AVANT REMISAGE

Roulements et Bagues

Tous les roulements et les bagues sont graissés à vie et n'exigent aucun entretien.

Arbres hexagonaux et chaînes

Pour le remisage, l'arbre hexagonal doit être enduit d'huile moteur pour prévenir la rouille. (Voir Figure 26).

Avant le remisage, les chaînes devraient être lubrifiées avec de la graisse prévue à cet effet. (Voir Figure 26).

REMARQUE: Tout graissage ou huilage des pièces mentionnées ci-dessus peut provoquer la détérioration du disque en caoutchouc. Si ce disque ou le plateau de commande entre en contact avec de la graisse ou de l'huile, le caoutchouc sera endommagé.

Si le disque ou plateau de commande entre en contact avec de la graisse ou de l'huile, bien laver le disque ou le plateau avec un produit sovant à base d'alcool.

LUBRIFICATION – TOUTES LES 10 HEURES

1. **Arbre de la vis sans fin** – Lubrifier les graisseurs (A) à l'aide d'un pistolet à graisse toutes les dix (10) heures d'utilisation. L'arbre de la vis sans fin DOIT être graissé chaque fois qu'un boulon de cisaillement est remplacé (Figure 23). (Voir la partie Remplacement du boulon de cisaillement de la vis sans fin dans la section "Réparations/Réglages")
2. Avant de remiser la machine, ou pour remplacer un boulon de cisaillement, déposer le boulon de cisaillement et graisser les graisseurs de l'arbre de la vis sans fin. Faire tourner la vis sans fin plusieurs fois sur l'arbre et remonter le boulon de cisaillement.

RESPONSABILITÉS DE CLIENT

LUBRIFICATION – TOUTES LES 25 HEURES

Plateau de commande du disque

Le lubrifier toutes les vingt-cinq (25) heures, à la fin de la saison, et/ou avant de la ranger.

Pour lubrifier:

3. Engager la première vitesse du sélecteur de vitesse.
4. Placer le chasse-neige sur l'extrémité du boîtier de la vis sans fin.
5. Déposer le panneau de dessous.
6. Faire tourner à la main le plateau de commande du disque de dessous dans le sens des aiguilles d'une montre jusqu'à ce que le graisseur soit bien visible au centre (Voir Figure 25).
7. Pour éviter que le disque de friction de caoutchouc entre en contact avec le plateau de commande du disque, placer une pièce de monnaie (ou une cale d'épaisseur égale) entre le disque de friction de caoutchouc et le plateau de commande du disque.
8. Pour le graissage, utiliser un pistolet à graisse et de la graisse à haute température EP Moly. Voir les détails en Figure 25. **NE PAS** verser de quantité excessive d'huile et **ÉVITER** que de la graisse entre en contact avec le plateau de commande ou le disque car cela endommagerait le caoutchouc. Remplir le graisseur jusqu'à ce que la graisse apparaisse sous le support situé sous le graisseur.
9. Retirer la pièce de monnaie utilisée à l'étape 7. S'assurer qu'il existe un écart entre le disque de friction de caoutchouc et le plateau de commande du disque.

REMARQUE: Nettoyer l'excès de graisse sur le disque de friction.

REMARQUE: Éviter que de la graisse entre en contact avec le disque en caoutchouc et le plateau du disque de commande.

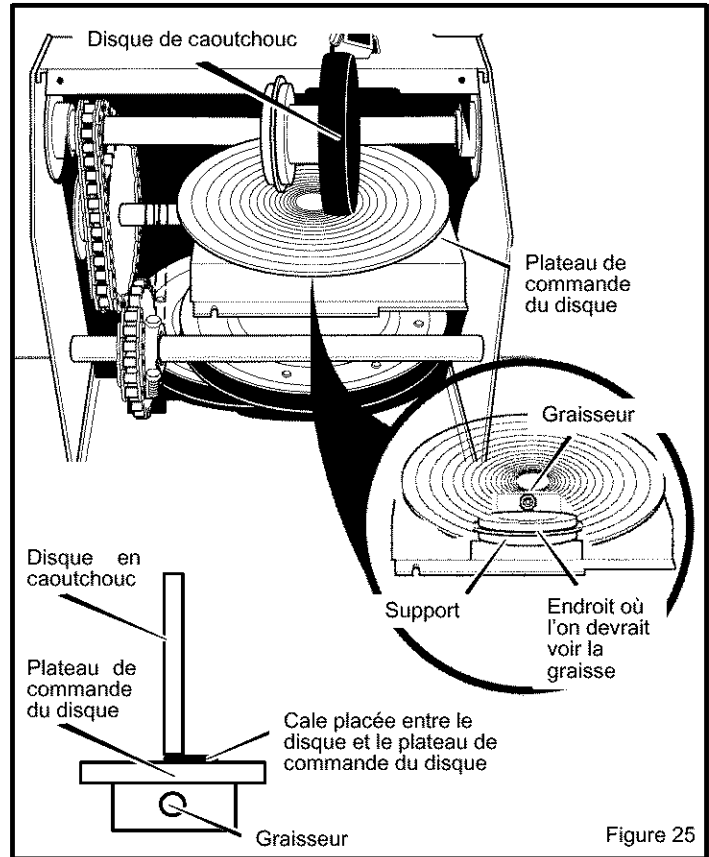
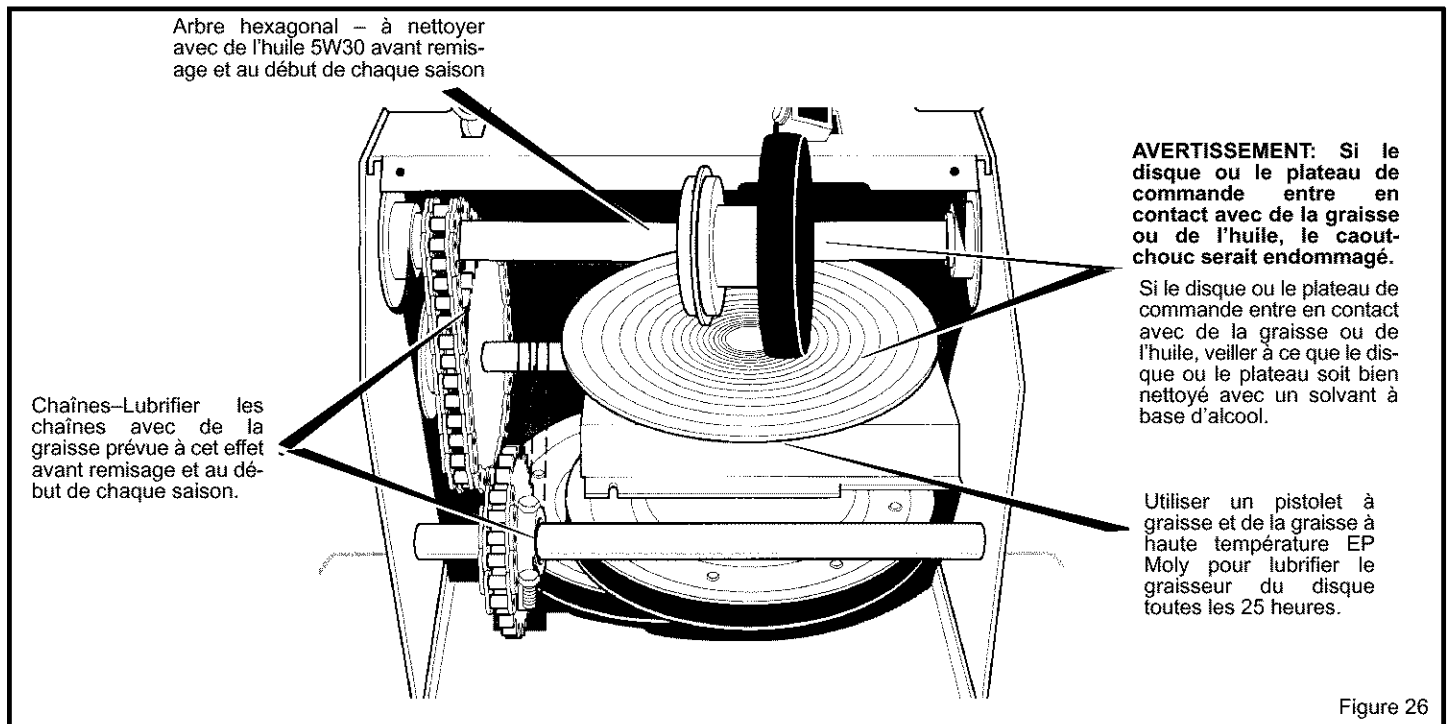


Figure 25



AVERTISSEMENT: Si le disque ou le plateau de commande entre en contact avec de la graisse ou de l'huile, le caoutchouc serait endommagé.

Si le disque ou le plateau de commande entre en contact avec de la graisse ou de l'huile, veiller à ce que le disque ou le plateau soit bien nettoyé avec un solvant à base d'alcool.

Utiliser un pistolet à graisse et de la graisse à haute température EP Moly pour lubrifier le graisseur du disque toutes les 25 heures.

Figure 26

RESPONSABILITÉS DE CLIENT

MOTEUR

Vérifier le niveau d'huile du carter: (Figure 27) avant de mettre le moteur en marche et ensuite toutes les 5 heures d'utilisation. Compléter le niveau avec de l'huile moteur au besoin. Resserrer fermement le bouchon de remplissage et la jauge après la vérification du niveau.

REMARQUE: Une quantité d'huile excessive peut affecter le fonctionnement du moteur. Resserrer fermement le bouchon de remplissage d'huile pour éviter les fuites.

Vidange d'huile – Vidanger l'huile après les deux premières heures d'utilisation et toutes les vingt-cinq heures par la suite ou au moins une fois par an même si le chasse-neige n'accumule pas vingt-cinq heures d'utilisation par saison. Utiliser une huile détergente de bonne qualité et propre. Remplir le carter jusqu'au repère de la jauge identifié "FULL" (0,77 L pour les moteurs 10 HP et 0,83 L pour les 12 HP) (voir Figure 27). L'huile doit correspondre aux désignations "SF", "SE", "SD" ou "SC" de l'API. Ne pas utiliser d'huile SAE 10W40 (cette huile n'effectue pas un bon graissage). Par températures inférieures à 0°C ou 32°F utiliser de l'huile SAE5W30. (L'huile SAE10W peut également être utilisée). Par températures inférieures à -18°C ou 0°F, de l'huile SAE0W30.

Vidange de l'huile – Placer le chasse-neige de sorte que le bouchon de vidange d'huile soit au point le plus bas du moteur. Déposer le bouchon de vidange et le bouchon de remplissage et vidanger l'huile dans un récipient approprié (Figure 28).

REMARQUE: L'huile se vidange mieux lorsqu'elle est chaude.

Remonter le bouchon de vidange et le serrer fermement. Remplir le carter avec de l'huile moteur, ou comme indiqué au paragraphe précédent de ce chapitre.

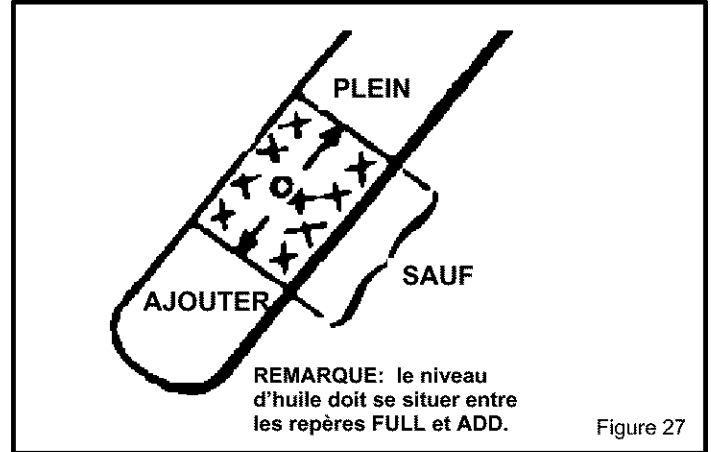


Figure 27

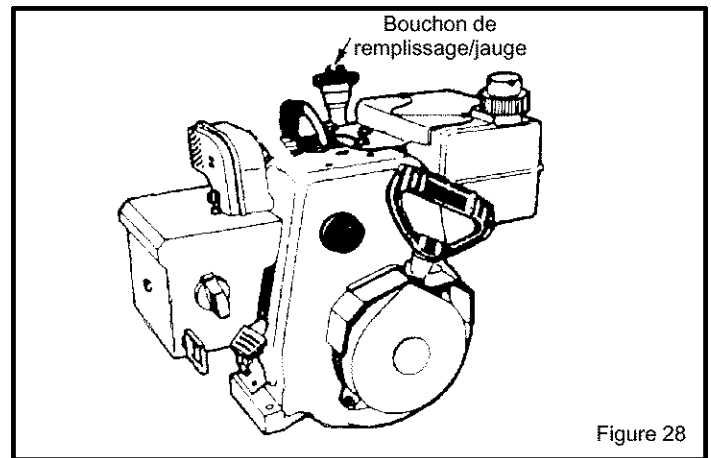


Figure 28

NIVEAUX DE VISCOSITÉ SAE	
	5W30
synthese 0W30	
°F	20 0 20 32 40
°C	-30 -20 -10 0 10

REGLAGES/REPARATIONS



AVERTISSEMENT: Toujours débrancher le fil de la bougie et l'écarter de la bougie avant de procéder à toute réparation ou à tout réglage .

RÉGLAGE DE LA HAUTEUR DU BOÎTIER DE LA VIS SANS FIN

RÉGLAGE DU BORD D'ATTAQUE

Après une longue utilisation, le bord d'attaque métallique s'usera. Le bord d'attaque et les patins doivent toujours être réglés pour placer le bord d'attaque à 1/8 po (3 mm) au-dessus de la surface à déneiger.

Procéder comme suit pour régler le bord d'attaque.

1. Arrêter le chasse-neige sur une surface horizontale.
2. Desserrer les boulons et les écrous qui fixent le bord d'attaque au boîtier de la vis sans fin.
3. Régler le bord d'attaque à la position appropriée. Resserrer les boulons et les écrous en s'assurant que le bord d'attaque est parallèle à la surface du sol.
4. Pour en prolonger l'utilisation, le bord d'attaque peut être retourné. Si le bord d'attaque doit être remplacé à la suite d'une usure excessive, déposer les boulons et les écrous et monter un bord d'attaque neuf.

RÉGLAGE DES PATINS

Ce chasse-neige est équipé de deux patins situés de chaque côté du boîtier de la vis sans fin. Ces patins permettent de régler la hauteur du boîtier.

Lorsque le travail s'effectue sur une surface dure comme une allée pavée par exemple, régler les patins vers le haut pour descendre le boîtier de la vis sans fin plus près du sol.

Lorsque le travail s'effectue sur des allées en gravier ou de construction irrégulière, relever l'avant du chasse-neige en descendant les patins. Cette position empêchera la vis sans fin de prendre du gravier ou d'autres débris et de les projeter avec la neige.

Pour régler les patins procéder comme suit.

1. Placer une cale (de hauteur égale à la hauteur de travail souhaitée) sous le bord d'attaque, à côté de chaque patin.
2. Desserrer les écrous du patin (Figure 29) et descendre le patin jusqu'à ce qu'il touche le sol. Resserrer les écrous.
3. Régler le patin de l'autre côté à la même hauteur.

REMARQUE: S'assurer que le chasse-neige est réglé à la même hauteur des deux côtés.



AVERTISSEMENT: Toujours maintenir une garde au sol appropriée en fonction de la surface de travail. Des objets comme du gravier, des pierres et d'autres débris peuvent être pris par la turbine et projetés avec une force suffisante pour provoquer des blessures ou des dégâts.

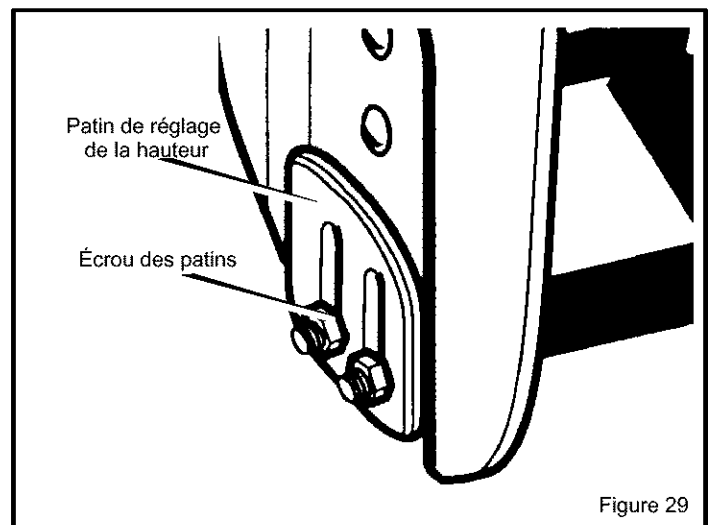


Figure 29

REGLAGES/REPARATIONS

RÉGLAGE DES COURROIES

Les courroies s'étirent à l'usage. Si des réglages deviennent nécessaires en raison de l'usure ou de l'étirement, procéder comme suit.

COURROIE DE COMMANDE DES ROUES

La courroie de commande des roues est soumise à la pression constante d'un ressort et n'exige aucun réglage.

Remplacer la courroie si elle patine (voir la section "Remplacement des courroies" dans ce manuel).

COURROIE DE LA VIS SANS FIN

Si votre chasse-neige n'éjecte pas la neige, vérifier le réglage du câble de commande. Ensuite, vérifier l'état de la courroie d'entraînement des lames. Si celle-ci est endommagée, la remplacer (voir la section "Remplacement de courroie" dans ce manuel). Si la courroie de la vis sans fin devient lâche, procéder aux réglages comme suit :

1. Débrancher le fil de la bougie.
2. Déposer le couvercle de la courroie.
3. Desserrer l'écrou sur la poulie de tension et pousser la poulie de tension vers la courroie d'environ 1/8 po (3 mm) (voir Figure 30).
4. Resserrer l'écrou.
5. Demander à quelqu'un d'embrayer la vis sans fin avec la poignée du guidon. Vérifier la tension de la courroie (à l'opposé de la poulie de tension). La courroie doit fléchir d'environ 1/2 po (12,5 mm) sous une pression moyenne (Figure 31). Il peut être nécessaire de déplacer la poulie de tension une nouvelle fois pour obtenir la tension appropriée.
6. Remonter le couvercle de la courroie.
7. Si un réglage ou un remplacement de courroie doit être effectué, les câbles devront aussi être réglés (voir la section "Réglage des câbles" dans ce manuel).
8. Rebrancher le fil de la bougie.

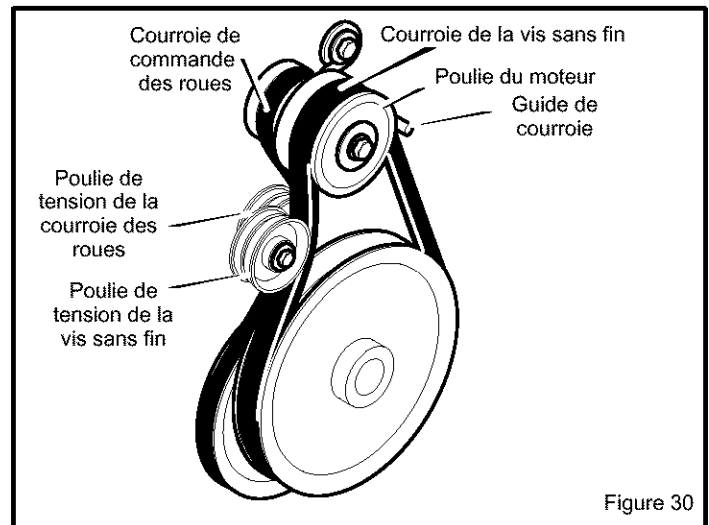


Figure 30

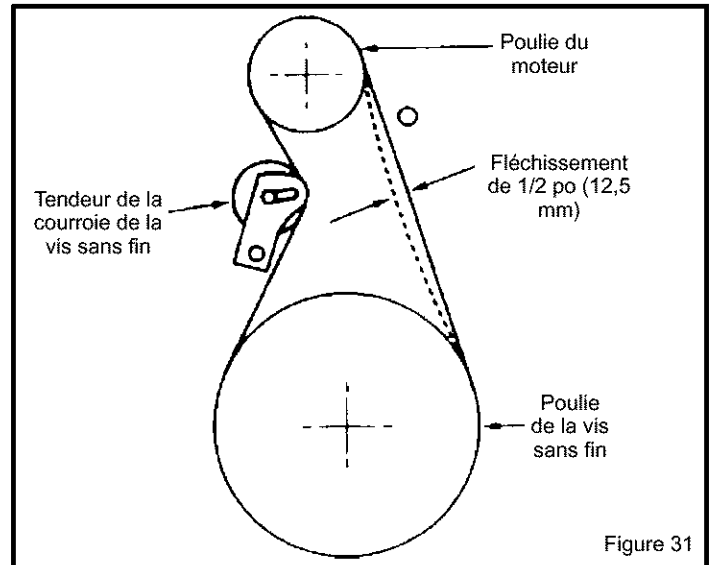


Figure 31

REGLAGES/REPARATIONS

REPLACEMENT DES COURROIES

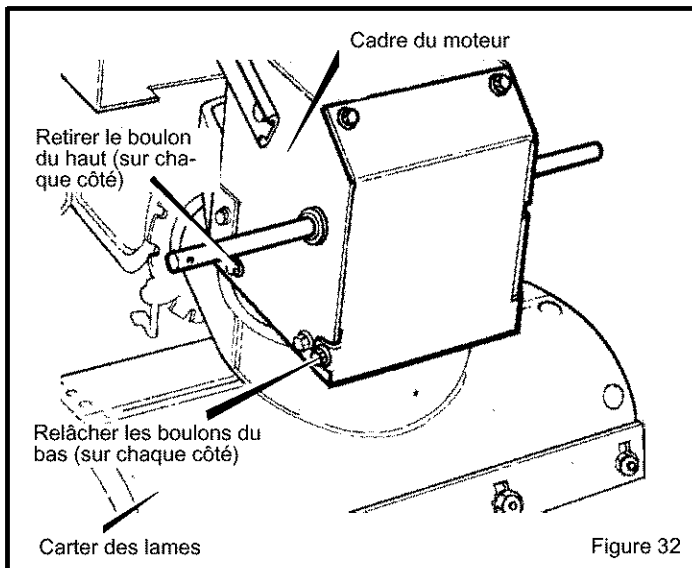
COURROIE DE LA VIS SANS FIN (VOIR FIGURE 30)

1. Vider l'essence du réservoir d'essence en retirant le filtre d'essence. Faire la vidange puis remettre filtre d'essence.



AVERTISSEMENT: Toujours procéder à la vidange en plein air, loin de tout danger de flamme ou de feu.

2. Débrancher le fil de la bougie.
3. Déposer le couvercle de la courroie.
4. Retirer les deux boulons du haut maintenant le carter des lames au cadre du moteur. Relâcher les deux boulons du bas. Voir Figure 32.



5. Le carter des lames et le cadre du moteur se divisent, les deux boulons du bas permettant l'articulation entre les deux parties.
6. Relâcher le guide de courroie et le tirer de la courroie de la poulie de tension. Voir Figure 30.
7. Relâcher l'écrou de la poulie de tension des lames et la tirer loin de la courroie. Mémoriser l'emplacement de la poulie de tension pour une réinstallation future.
8. Desserrer la courroie de la poulie de tension.
9. Retirer la courroie de la poulie de la turbine.
10. Installer la nouvelle courroie sur la poulie de la turbine.
11. Installer la nouvelle courroie sur la poulie de tension.
12. Régler la courroie de la vis sans fin (voir la section "Réglages des courroies").
13. Régler les guides de courroie (voir la section "Réglage des guide de courroies" dans ce manuel).

14. Remettre les deux boulons du haut. Resserrer les deux boulons du bas. Voir Figure 32.
15. Reposer le couvercle de courroie.
16. Rebrancher le fil de la bougie.

COURROIE DE COMMANDE DES ROUES

La courroie de commande des roues est soumise à la pression constante d'un ressort et n'exige aucun réglage.

1. Vider l'essence du réservoir d'essence en retirant la conduite d'essence. Procéder à la vidange et remettre le filtre d'essence.



AVERTISSEMENT: Toujours procéder à la vidange en plein air, loin de tout danger de flamme ou de feu.

2. Débrancher le fil de la bougie.
3. Déposer le couvercle de courroie.
4. Retirer les deux boulons du haut maintenant le carter des lames au cadre du moteur. Relâcher les deux boulons du bas. Voir Figure 32.
5. Le carter des lames et le cadre du moteur se divisent, les deux boulons du bas permettant l'articulation entre les deux parties.
6. Relâcher l'écrou de la poulie de tension des lames et la tirer loin de la courroie. Mémoriser l'emplacement de la poulie de tension pour une réinstallation future.
7. Desserrer les guides de courroie et les écarter de la poulie de tension. Voir Figure 30.
8. Déposer la courroie de la vis sans fin de la poulie de tension.
9. Dégager la poulie de tension de la courroie de commande des roues.
10. Retirer la courroie de commande des roues.
11. Installer une nouvelle courroie de commande des roues sur la poulie de commande des roues.
12. Dégager la poulie de tension de la courroie de commande des roues, de manière à pouvoir installer la courroie sur la poulie de tension.
13. Relâcher la poulie de tension et s'assurer que celle-ci est bien en contact avec la courroie.
14. Reposer la courroie de commande de la vis sans fin.
15. Régler la courroie de la vis sans fin (voir la section "Réglages de la courroie" dans ce manuel).
16. Régler les guides de courroie (voir la section "Réglages des guide de courroies" dans ce manuel).
17. Remettre les deux boulons du haut. Resserrer les deux boulons du bas. Voir Figure 32.
18. Reposer le couvercle de courroie.
19. Rebrancher le fil de la bougie.

REGLAGES/REPARATIONS

RÉGLAGE DES GUIDE DE COURROIE (VOIR FIGURE 33)

1. Débrancher le fil de la bougie.
2. Demander à quelqu'un d'embrayer la vis sans fin avec la poignée du guidon.
3. Mesurer la distance entre les guide de courroie et la courroie. Cette distance doit être de 1/8 po (3.175 mm) pour le guide du côté gauche .
4. Si un réglage est nécessaire, desserrer les boulon de montage des guide et placer les guide à la position voulue. Resserrer ensuite les boulon.
5. Remonter le carter de courroie.
6. Rebrancher le fil de la bougie.

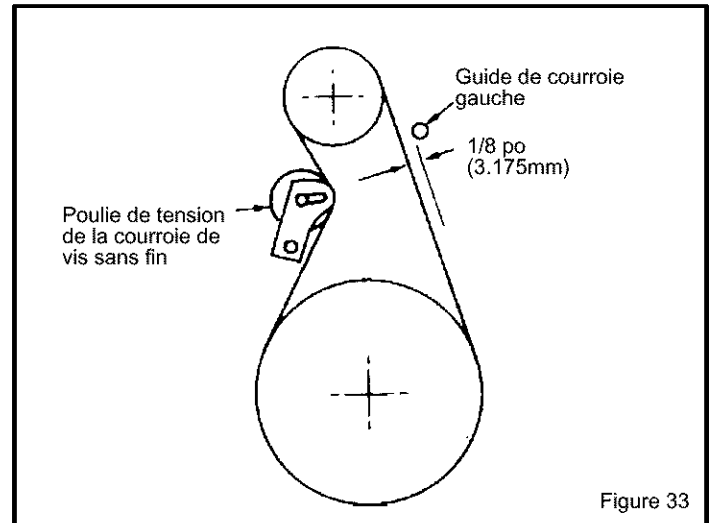


Figure 33

RÉGLAGE DES CÂBLES DE COMMANDE DES ROUES ET DE LA VIS SANS FIN

Les câbles sont ajustés à l'usine et aucun réglage ne devrait être nécessaire sauf s'ils s'étirent ou s'affaissent.

Les câbles doivent être réglés chaque fois que les courroies sont réglées ou remplacées.

Pour vérifier le réglage détacher le crochet en "Z" du levier d'embrayage (voir Figure 34):

1. Pousser le levier d'embrayage complètement vers l'avant (au contact de la butée en plastique).
2. Le centre du crochet doit être entre le centre et le sommet du trou du levier d'embrayage.

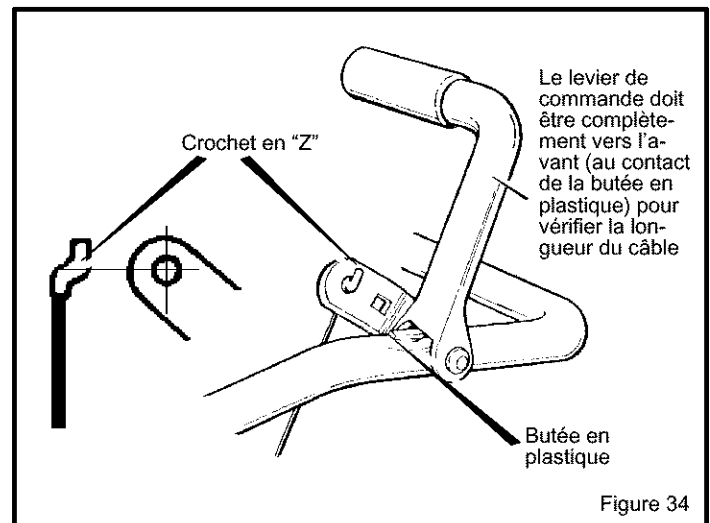


Figure 34

Réglage éventuel (voir Figure 35)



AVERTISSEMENT: Procéder à la vidange en plein air, loin de tout danger de flamme ou de feu.

1. Vidanger l'essence du réservoir.
2. Mettre le chasse-neige debout sur le boîtier de la vis sans fin.
3. Pousser le câble dans le ressort pour exposer la partie filetée du câble.
4. Tenir l'extrémité carrée de la partie filetée avec des pinces et tourner l'écrou dans un sens ou dans l'autre pour obtenir le réglage approprié. Tirer le câble dans le ressort et remonter le câble.

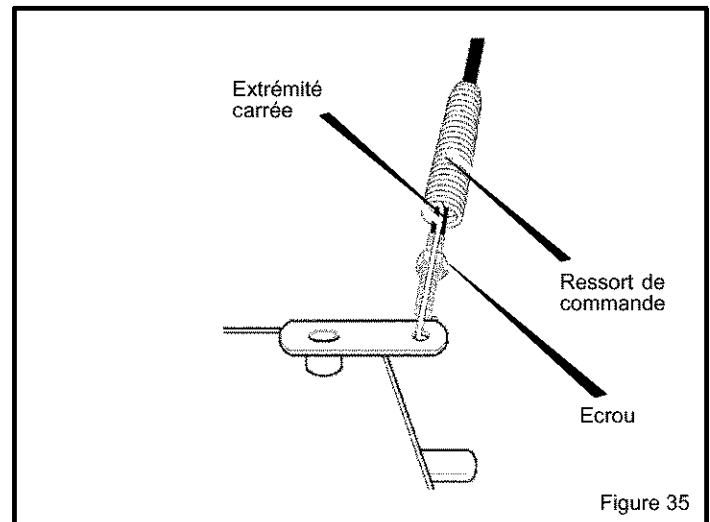


Figure 35

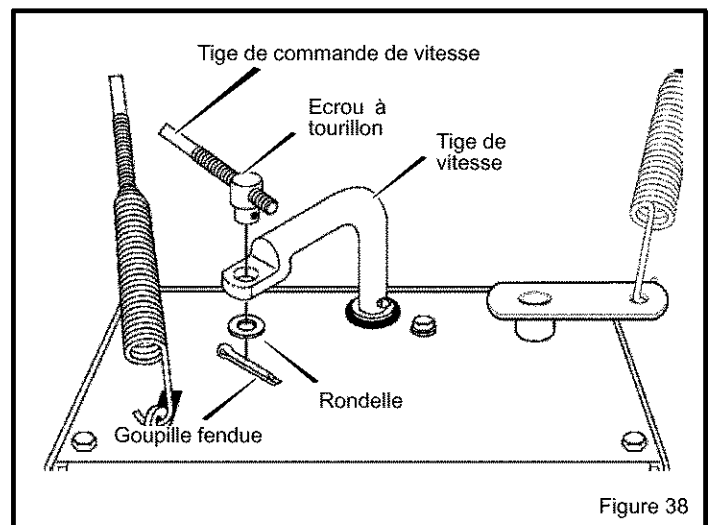
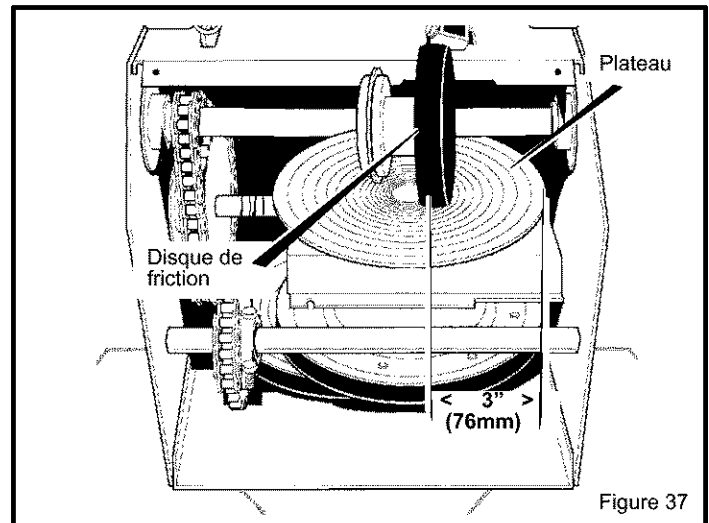
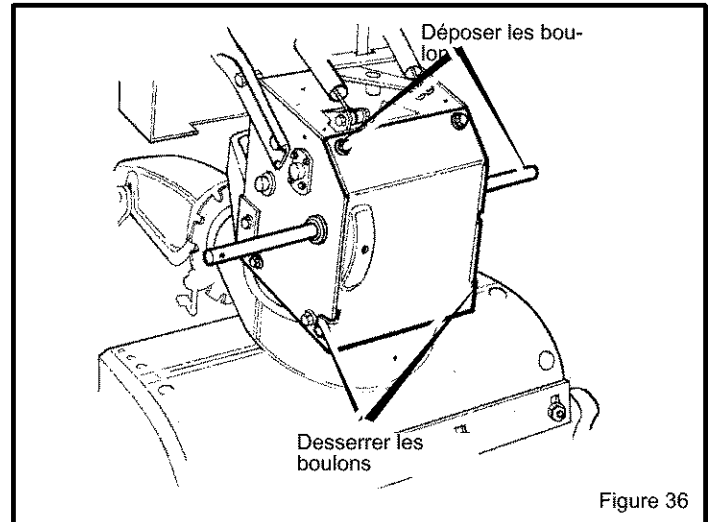
REGLAGES/REPARATIONS

RÉGLAGE DU DISQUE DE FRICTION

1. Déposer les panneaux de dessous (Figure 36).
2. Placer le levier de vitesse en première.
3. Noter la position du disque sur le plateau. La position appropriée à partir du côté extérieur droit du plateau au centre du disque doit être de 3 pouces (76 mm) (Figure 37).

Si un réglage est nécessaire, procéder comme suit:

1. Retirer la rondelle et la goupille fendue maintenant l'écrou à tourillon à la tige de vitesse (Figure 38).
2. Tourner l'écrou à tourillon de haut en bas sur la tige jusqu'à ce que le disque en caoutchouc soit dans la bonne position.
3. Placer l'extrémité de l'écrou à tourillon à travers l'orifice de la tige de commande de vitesse et fixer le tout à l'aide de la rondelle et de la goupille fendue.
4. Reconnect les panneaux de dessous (Figure 36).



REGLAGES/REPARATIONS

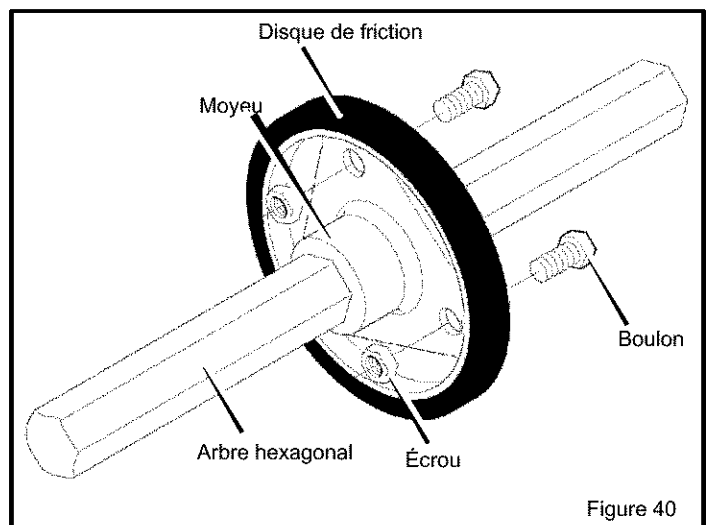
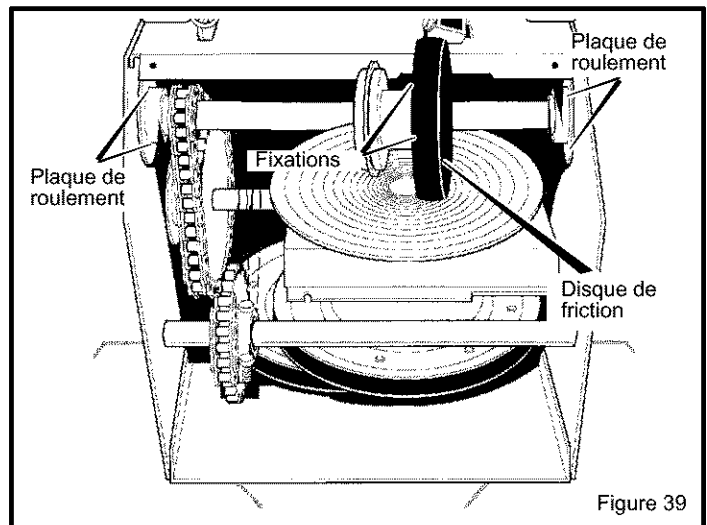
REPLACEMENT DU DISQUE DE FRICTION

1. Vidanger l'essence du réservoir.
2. Débrancher le fil de la bougie.
3. Mettre le chasse-neige debout sur le boîtier de la vis sans fin. Déposer le panneau inférieur.
4. Débrancher tige de commande de vitesse du tige de vitesse retirer goupille fendue (voir Figure 38).
5. Déposer les fixations du disque de friction sur le moyeu et les mettre de côté (voir Figure 39).
6. Déposer les quatre boulons qui fixent les plaques de roulement (des deux côtés).
7. Déposer la plaque de roulement droite. Laisser l'arbre hexagonal en place.
8. Déposer le disque de friction du moyeu en le faisant glisser sur l'arbre hexagonal vers la droite.
9. Monter le disque de friction neuf sur le moyeu (voir Figure 40). Reposer les plaques de roulement en s'assurant que l'arbre hexagonal y est bien engagé.
10. Fixer les plaques de roulement à l'aide des boulons déposés lors du démontage.
11. Fixer le disque de friction sur le moyeu à l'aide des fixations déposées lors du démontage en s'assurant que l'arbre hexagonal tourne librement.
12. Reposer la rotule sur le levier de commande de vitesse.
13. Reconnect tige de commande de vitesse sur tige de vitesse.
14. Remettre la tige en place sur le levier de commande de vitesse.

15. Dans le cas où le disque de friction devrait être réglé, voir "Réglage du disque de friction".

REMARQUE: Vérifier qu'il n'y a pas de graisse ou d'huile sur le disque de friction et le plateau.

16. Remonter le panneau inférieur.



REGLAGES/REPARATIONS

REPLACEMENT DES BOULONS DE CISAILLEMENT DE LA VIS SANS FIN

La vis sans fin est fixée à l'arbre par des boulons spéciaux qui sont prévus pour casser si un objet se coince dans le boîtier de la vis sans fin. L'utilisation d'un boulon plus dur supprimera la protection du boulon de cisaillement. Pour remplacer un boulon de cisaillement cassé, procéder comme suit.



AVERTISSEMENT: Pour garantir la sécurité et le fonctionnement approprié de la machine, seuls des boulons de cisaillement de rechange d'origine doivent être utilisés.

1. Placer la manette d'accélération à la position d'arrêt, débrayer toutes les commandes, débrancher le fil de la bougie et s'assurer que toutes les pièces sont arrêtées.
2. Graisser les graisseurs de l'arbre de la vis sans fin (voir "Points de graissage" dans la section Entretien de ce manuel).
3. Centrer le trou de la vis sans fin avec le trou de son arbre. Monter le boulon de cisaillement neuf et l'écrou de blocage se situant dans la boîte à outils sur le carter de courroie. (Voir Figure 41)

RÉGLAGE DE LA BOUGIE (VOIR FIGURE 42)

REMARQUE: Ce système d'allumage à bougie est conforme à toutes les exigences des réglementations du Canada en matière de matériel brouilleur.

REMARQUE: Ce moteur est conforme à toutes les restrictions actuelles de l'Australie et de la Nouvelle-Zélande en matière de brouillage électromagnétique.

1. Nettoyer la bougie et régler l'écartement des électrodes périodiquement.
2. Nettoyer tout autour de la bougie avant de la déposer, pour empêcher la pénétration de corps étrangers dans le moteur.
3. Remplacer la bougie si les électrodes sont piquées ou brûlées ou si la porcelaine est fêlée.
4. Nettoyer la bougie en grattant les électrodes avec précaution (ne pas utiliser de sableuse ni de brosse métallique).

5. S'assurer que la bougie est propre et ne comporte aucun corps étranger. Vérifier l'écartement des électrodes avec une jauge à fil et régler cet écartement à 0,030 po (0,76 mm) au besoin. Si une bougie neuve doit être montée, se reporter au chapitre "Pièces de rechange du moteur", qui indique la bougie appropriée.
6. Avant de monter la bougie, enduire légèrement le filetage d'une graisse à base de graphite pour faciliter la dépose ultérieure.
7. Serrer la bougie fermement dans le moteur au couple de 18 à 23 pi-livre.

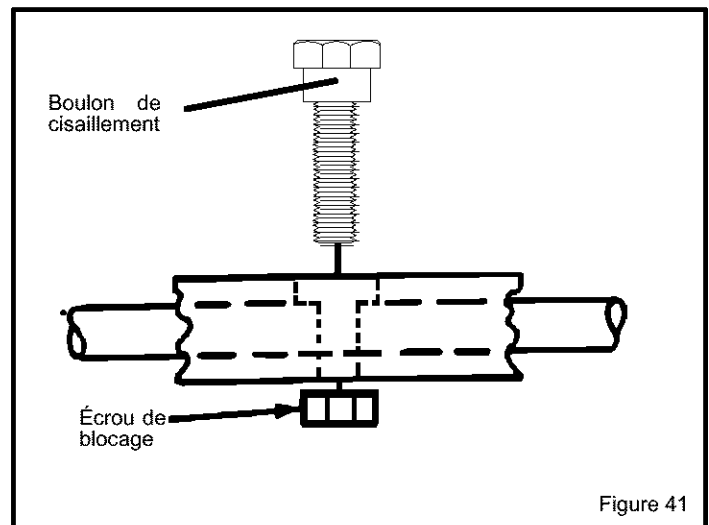


Figure 41

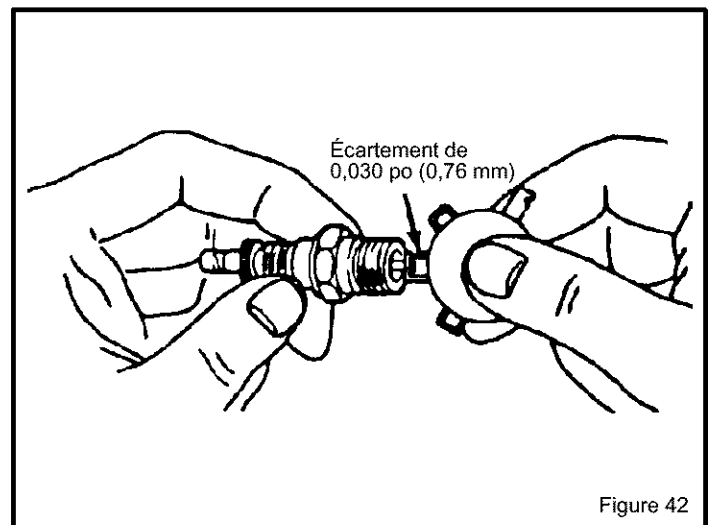


Figure 42

REMISAGE

REMISAGE HORS SAISON



AVERTISSEMENT: Ne jamais remiser la machine avec de l'essence dans le réservoir ou dans un endroit mal ventilé où les émanations d'essence peuvent atteindre une flamme, une étincelle ou la veilleuse d'un appareil ménager comme un chauffe-eau, une sècheuse ou une chaudière.

Faire preuve de prudence avec l'essence qui est très inflammable et peut provoquer des risques d'incendie ou de dégâts.

Vidanger l'essence dans un récipient approprié, à l'extérieur, loin de toute source de flammes ou d'étincelles.

Si le chasse-neige doit être remisé pendant trente (30) jours ou plus à la fin de la saison, les opérations suivantes sont recommandées.

REMARQUE: L'essence doit être retirée du réservoir ou traitée pour éviter la formation de gomme dans le réservoir, le filtre, le flexible d'alimentation et le carburateur.

1. Pour vidanger l'essence, faire tourner le moteur jusqu'à ce qu'il tombe en panne sèche. Vidanger l'essence résiduelle du carburateur en appuyant sur le bouton de vidange situé à la base du carburateur (voir Figure 43).



AVERTISSEMENT: Vidanger l'essence à l'extérieur, à l'écart de flammes ou d'étincelles.

La vidange et le remplacement de l'huile du moteur permettra de le garder en bon état pendant le remisage.

À défaut de vidanger l'essence, un stabilisateur d'essence, dont un petit récipient est livré dans le sac de pièces, peut être ajouté au réservoir pour réduire la formation de gomme et d'acide. Si le réservoir est déjà vide, mélanger le stabilisateur d'essence avec de l'essence propre dans un récipient séparé et verser une petite quantité du mélange dans le réservoir. **TOUJOURS RESPECTER LES DIRECTIVES QUI FIGURENT SUR LE BIDON DE STABILISATEUR. FAIRE ENSUITE TOURNER LE MOTEUR PENDANT AU MOINS 10 MINUTES POUR PERMETTRE AU MÉLANGE D'ATTEINDRE LE CARBURATEUR. RANGER ENSUITE LE CHASSE-NEIGE DANS UN ENDROIT SÛR.**

2. Pour lubrifier le cylindre et le piston, déposer la bougie et verser de l'huile moteur propre dans le trou de la bougie. Couvrir ensuite le trou de la bougie à l'aide d'un chiffon pour absorber la pulvérisation d'huile et entraîner le moteur avec le démarreur deux ou trois fois. Reposer ensuite la bougie et rebrancher le fil de la bougie.
3. Nettoyer complètement le chasse-neige.
4. Graisser tous les points de graissage (voir Graissage, voir "Responsabilités du client").
5. S'assurer que tous les écrous, boulons et vis sont fermement serrés. Vérifier toutes les pièces mobiles pour déceler les indices de dégâts et d'usure. Remplacer les pièces au besoin.
6. Faire les retouches de peinture sur les surfaces rouillées ou écaillées. Poncer légèrement au papier de verre avant la peinture.
7. Couvrir les pièces de métal du boîtier de la vis sans fin et de la turbine d'un produit antirouille.
8. Si possible, ranger le chasse-neige à l'intérieur d'un local et le couvrir d'une bâche pour le protéger de la poussière.
9. Si la machine doit être remisée à l'extérieur, la monter sur des cales pour qu'elle ne repose pas au sol. Couvrir ensuite le chasse-neige à l'aide d'une bâche épaisse.

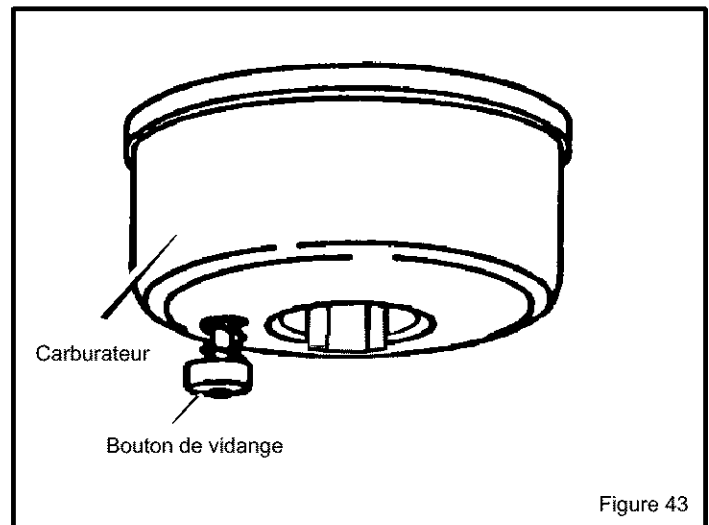


TABLEAU DE DIAGNOSTIC

PROBLÈME	CAUSE	REMÈDE
Mise en marche difficile	Bougie défectueuse.	Remplacer la bougie défectueuse.
Fonctionnement irrégulier du moteur	Canalisation d'essence obstruée.	Nettoyer la canalisation d'essence.
	Réservoir d'essence vide.	Nettoyer la canalisation d'essence, vérifier le niveau du réservoir.
	Essence trop vieille.	Utiliser de l'essence fraîche.
	Présence d'eau ou d'impuretés dans le circuit d'alimentation.	Déposer la cuve du carburateur pour vidanger le réservoir. Remplir avec de l'essence fraîche. ATTENTION: Ne pas déposer la cuve du carburateur lorsque le moteur est chaud.
Calage du moteur	VOLET DE DÉPART fermé.	Ouvrir le volet de départ.
Perte de puissance	Évent du bouchon du réservoir d'essence obstrué.	Éliminer la glace et la neige du bouchon du réservoir. S'assurer que le trou d'évent est propre.
Vibrations excessives	Pièces desserrées ou turbine endommagée.	Arrêter immédiatement le moteur et débrancher la bougie; resserrer tous les boulons et faire les réparations qui s'imposent. Si les vibrations persistent, faire vérifier la machine par un technicien compétent.
Pas de propulsion	Courroie défectueuse ou endommagée.	Remplacer la courroie. Se reporter au paragraphe "Remplacement des courroies" du chapitre Réglages/Réparations de ce manuel.
	Mauvais réglage du câble de commande des roues.	Régler le câble de commande de roues. Se reporter à la rubrique "Réglage du câble" du chapitre Réglages/Réparations de ce manuel.
	Disque de friction usé ou endommagé.	Remplacer le disque de friction. Se reporter à la rubrique "Remplacement du disque de friction" du chapitre Réglages/Réparations de ce manuel.
Pas d'éjection de la neige	Courroie de vis sans fin détendue ou endommagée.	Régler la courroie de la vis sans fin ou; la remplacer si elle est endommagée. Se reporter à la rubrique "Remplacement des courroies d'entraînement" et "Réglage des courroies d'entraînement" du chapitre Réglages/Réparations de ce manuel.
	Câble de vis sans fin mal réglé.	Régler le câble de la vis sans fin. Se reporter à la rubrique "Réglage du câble" du chapitre Réglages/Réparations de ce manuel.
	Boulon de cisaillement cassé	Remplacer le boulon de cisaillement. Se reporter à la rubrique "Remplacement du boulon de cisaillement" du chapitre Réglages/Réparations de ce manuel.
	Goulotte d'éjection obstruée.	Arrêter le moteur immédiatement et débrancher le fil de la bougie. Se reporter à la première rubrique "Danger" du chapitre Utilisation de ce manuel. Nettoyer la goulotte d'éjection et l'intérieur du boîtier de la vis sans fin.
	Corps étrangers dans la vis sans fin.	Arrêter immédiatement le moteur et débrancher le fil de la bougie. Se reporter à la troisième rubrique Danger du chapitre Utilisation du chasse-neige de ce manuel. Retirer les corps étrangers de la vis sans fin.

Identification du chasse-neige

Ce chasse-neige comporte deux (2) numéros d'identification: (1) le numéro de modèle et (2) le numéro de série. Ces deux numéros sont nécessaires pour obtenir les pièces de rechange en cas de besoin. Pour toutes questions au sujet des pièces de rechange, des services de réparation ou des données techniques, communiquer avec le centre de service Sears le plus proche.

Pour tous les détails de la garantie, se reporter à la page intitulée Avis au Client de ce manuel.

SEARS

Manuel d'utilisation

**Modèle
C950-52930-0
11-H.P.
31 pouces**

**Chasse-Neige à
Deux Phases**

CRAFTSMAN

**le Service
est à
VOTRE
SERVICE**

N° de série _____

Vous trouverez le numéro du modèle et le numéro de série sur la plaque d'identification à l'arrière du boîtier du chasse-neige. Enregistrez les numéros de modèle et de série et conservez les pour pouvoir vous y reporter.

COMMENT OBTENIR DES PIÈCES DE RECHANGE

Chaque chasse-neige a son propre NUMÉRO DE MODÈLE. Chaque moteur a son propre NUMÉRO DE MODÈLE.

Le NUMÉRO DE MODÈLE du MOTEUR figure sur le boîtier du VENTILATEUR.

Lorsque vous désirez obtenir des services d'entretien et des pièces de rechange, mentionnez toujours ces numéros.

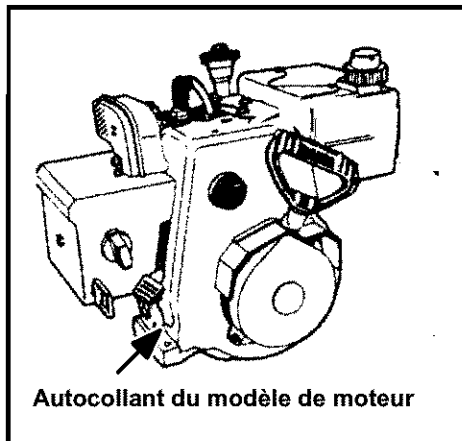
Toutes les pièces énumérées ici peuvent être obtenues des CENTRES DE SERVICE, CATALOGUES ET MAGASINS SEARS CANADA INC. Si les pièces que vous désirez ne sont pas en stock, votre commande sera transmise électroniquement à un centre de distribution de pièces SEARS et traitée immédiatement.

Lorsque vous commandez des pièces de rechange par courrier, les prix de vente seront fournis sur demande, ou les pièces seront expédiées au prix en cours et vous serez facturé en conséquence.

LORSQUE VOUS COMMANDEZ DES PIÈCES DE RECHANGE, FOURNISSEZ TOUJOURS LES INFORMATIONS SUIVANTES:

1. NUMÉRO DE PIÈCE
2. DESCRIPTION DE LA PIÈCE
3. NUMÉRO DU MODÈLE
4. NOM DE LA MACHINE-CHASSE-NEIGE
5. NUMÉRO DE MODÈLE DU MOTEUR

Vos produits Sears prennent une valeur supplémentaire grâce aux centres de service Sears dans tout le pays. Chaque centre emploie des techniciens qualifiés utilisant les méthodes Sears approuvées.



Monsieur, Madame, Mademoiselle,

Lors de la fabrication de cet article, aucun effort n'a été épargné pour vous offrir une marchandise de toute première qualité. Malheureusement, des erreurs ou des omissions sont quelquefois commises. Si vous remarquez qu'une pièce est manquante ou défectueuse, veuillez contacter votre magasin Sears le plus proche.

**ENTRETIEN ET PIÈCES DE
RECHANGE
COMPOSEZ LE 1-800-665-4455 ***

Conservez ce numéro a porte de la main au cas ou vous auriez besoin d'une visite d'entretien ou de pièces de rechange. Lorsque vous commandez des pièces de rechange, indiquez le nom, la marque et le no de modèle du produit ainsi que le nom et le numéro de la pièce que vous désirez commander.

*si vous appelez un centre d'entretien local, composez un des numéros suivants:

Regina – 566-5124

Montréal – 333-5740

Toronto – 744-4900

Halifax – 454-2444

Kitchener – 894-7590

Ottawa – 738-4440

Vancouver – 420-8211

Si vous avez des suggestions nous permettant d'améliorer nos instructions relatives au montage et/ou à l'utilisation du produit, ou le produit lui-même, veuillez remplir le formulaire ci-dessous et l'envoyer à:

Sears Canada Inc.
222 rue Jarvis
Toronto, Ontario
M5B 2B8

À l'attention de: Service clientèle 671

N° de modèle: _____

NOM: _____

ADRESSE: _____

CODE POSTAL: _____ TÉLÉPHONE # _____

Free Manuals Download Website

<http://myh66.com>

<http://usermanuals.us>

<http://www.somanuals.com>

<http://www.4manuals.cc>

<http://www.manual-lib.com>

<http://www.404manual.com>

<http://www.luxmanual.com>

<http://aubethermostatmanual.com>

Golf course search by state

<http://golfingnear.com>

Email search by domain

<http://emailbydomain.com>

Auto manuals search

<http://auto.somanuals.com>

TV manuals search

<http://tv.somanuals.com>