

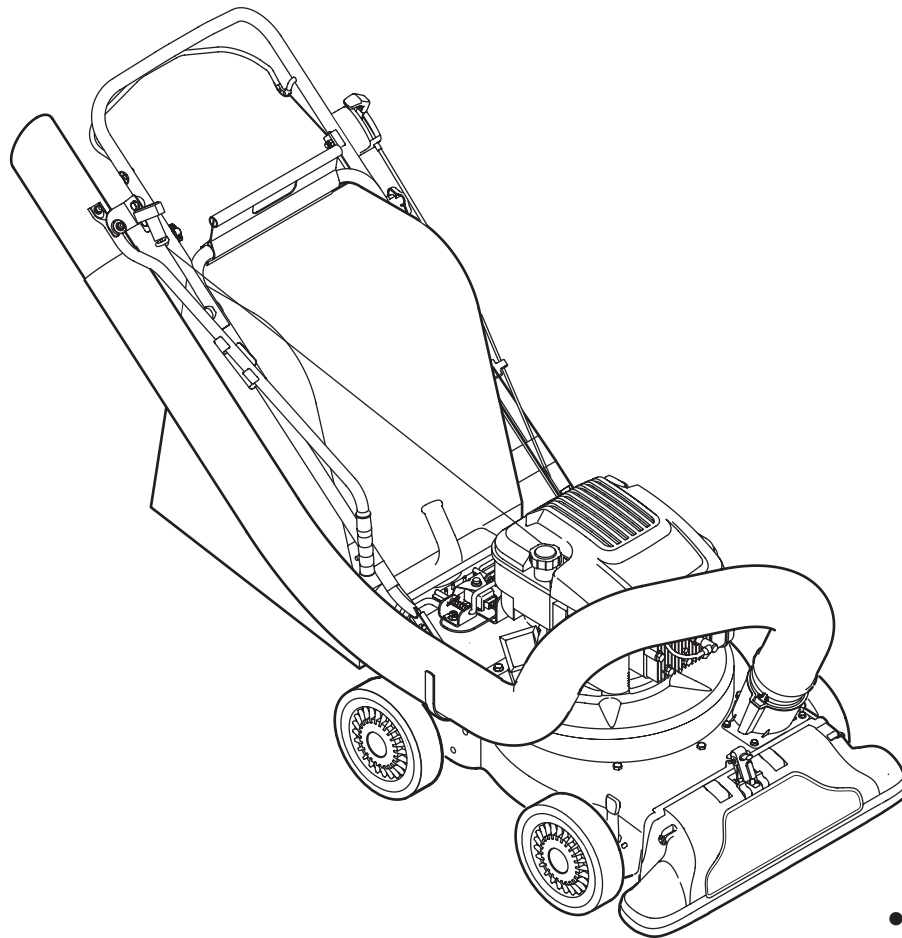
Operator's Manual

CRAFTSMAN[®]

675 Series Engine

POWER PROPELLED YARD VACUUM

Model No. 247.77013.0



CAUTION: Before using this product, read this manual and follow all safety rules and operating instructions.

- SAFETY
- ASSEMBLY
- OPERATION
- MAINTENANCE
- PARTS LIST
- ESPAÑOL

Sears, Roebuck and Co., Hoffman Estates, IL 60179, U.S.A.
Visit our web site: www.craftsman.com

FORM NO. 769-01281C
05/22/2007

TABLE OF CONTENTS

Warranty Statement.....	Page 2	Service and Maintenance.....	Pages 16-21
Repair Protection Agreement.....	Page 3	Off-Season Storage.....	Page 22
Safe Operation Practices	Pages 4-5	Trouble Shooting	Page 23
Safety Labels.....	Page 7	Parts List.....	Page 24-33
Assembly	Pages 8-11	Español	Page 36
Operation.....	Pages 12-15	Service Numbers	Back Cover

WARRANTY

One Year Full Warranty on Craftsman Yard Vacuum

This equipment is covered by a one-year warranty, provided that it is maintained, lubricated, and tuned up according to the instructions in the operator's manual. During the warranty year, if this equipment experiences any failure due to defects in material or workmanship, RETURN IT TO YOUR NEAREST SEARS PARTS & REPAIR CENTER, and Sears will repair it, free of charge. In-home warranty service is available, but you will have to pay a trip charge.

This warranty does not cover:

- Expendable items which become worn during normal use, such as spark plugs, air cleaners, belts, and oil filters.
- Tire replacement or repair caused by punctures from outside objects, such as nails, thorns, stumps, or glass.
- Repairs necessary because of operator abuse, including but not limited to, damage caused by objects, such as stones, metal debris or oversized pieces of wood, or impacting objects that bend the frame or crankshaft, or over-speeding the engine.
- Repairs necessary because of operator negligence, including but not limited to, electrical and mechanical damage caused by improper storage, failure to use the proper grade and amount of engine oil, or failure to maintain the equipment according to the instructions contained in the operator's manual.
- Engine (fuel system) cleaning or repairs caused by fuel determined to be contaminated or oxidized (stale). In general, fuel should be used within 30 days of its purchase date.
- Equipment if used for commercial or rental purposes.

This warranty applies for only 90 days if this product is ever used for commercial or rental purposes.

This warranty applies only while this product is used in the United States.

This warranty gives you specific legal rights, and you may also have other rights which vary from state to state.

Sears, Roebuck and Co., Hoffman Estates, IL 60179

PRODUCT SPECIFICATIONS

Engine Series:	675
Engine Oil Type:	SAE 30
Engine Oil Capacity:	18 ounces
Fuel Capacity:	1 1/2 Quarts
Spark Plug:	Champion® RJ19LM
Spark Plug Gap:	.020"

MODEL NUMBER

Model Number

Serial Number

Date of Purchase

Record the model number, serial number
and date of purchase above

REPAIR PROTECTION AGREEMENT

Congratulations on making a smart purchase. Your new Craftsman® product is designed and manufactured for years of dependable operation. But like all products, it may require repair from time to time. That's when having a Repair Protection Agreement can save you money and aggravation.

Here's what's included in the Agreement:

- Expert service by our 12,000 professional repair specialists
- Unlimited service and no charge for parts and labor on all covered repairs
- Product replacement if your covered product can't be fixed
- Discount of 10% from regular price of service and service-related parts not covered by the agreement; also, 10% off regular price of preventive maintenance check
- Fast help by phone – phone support from a Sears technician on products requiring in-home repair, plus convenient repair scheduling

Purchase a Repair Protection Agreement now and protect yourself from unexpected hassle and expense.

Once you purchase the Agreement, a simple phone call is all that it takes for you to schedule service. You can call anytime day or night, or schedule a service appointment online.

Sears has over 12,000 professional repair specialists, who have access to over 4.5 million quality parts and accessories. That's the kind of professionalism you can count on to help prolong the life of your new purchase for years to come. Purchase your Repair Protection Agreement today!

Some limitations and exclusions apply. For prices and additional information call 1-800-827-6655.

Sears Installation Service

For Sears professional installation of home appliances, garage door openers, water heaters, and other major home items, in the U.S.A. call 1-800-4-MY-HOME®

SAFETY INSTRUCTIONS

⚠ WARNING



This symbol points out important safety instructions which, if not followed, could endanger the personal safety and/or property of yourself and others. Read and follow all instructions in this manual before attempting to operate this machine. Failure to comply with these instructions may result in personal injury. When you see this symbol, **HEED ITS WARNING!**

Your Responsibility: Restrict the use of this power machine to persons who read, understand, and follow the warnings and instructions in this manual and on the machine.

⚠ DANGER

This machine was built to be operated according to the rules for safe operation in this manual. As with any type of power equipment, carelessness or error on the part of the operator can result in serious injury. This machine is capable of amputating hands and feet and throwing objects. Failure to observe the following safety instructions could result in serious injury or death.

⚠ WARNING

Engine Exhaust, some of its constituents, and certain vehicle components contain or emit chemicals known to State of California to cause cancer and birth defects or other reproductive harm.

TRAINING

- Read, understand, and follow all instructions on the machine and in the manual(s) before attempting to assemble and operate. Keep this manual in a safe place for future and regular reference and for ordering replacement parts.
- Be familiar with all controls and their proper operation. Know how to stop the machine and disengage them quickly.
- Never allow children under 16 years old to operate this machine. Children 16 years old and over should read and understand the operation instructions and safety rules in this manual and should be trained and supervised by a parent.
- Never allow adults to operate this machine without proper instruction.
- Keep bystanders, helpers, pets, and children at least 75 feet from the machine while it is in operation. Stop machine if anyone enters the area.
- Never run an engine indoors or in a poorly ventilated area. Engine exhaust contains carbon monoxide, an odorless and deadly gas.
- Do not put hands and feet near rotating parts or in the feeding chambers and discharge opening. Contact with the rotating impeller can amputate fingers, hands, and feet.
- Never attempt to unclog either the feed intake or discharge opening, remove or empty vacuum bag, or inspect and repair the machine while the engine is running. Shut the engine off and wait until all moving parts have come to a complete stop. Disconnect the spark plug wire and ground it against the engine.

PREPARATION

- Thoroughly inspect the area where the equipment is to be used. Remove all rocks, bottles, cans, or other foreign objects which could be picked up or thrown and cause personal injury or damage to the machine.
- Always wear safety glasses or safety goggles during operation or while performing an adjustment or repair, to protect eyes. Thrown objects which ricochet can cause serious injury to the eyes.
- Wear sturdy, rough-soled work shoes and close-fitting slacks and shirts. Loose fitting clothes or jewelry can be caught in movable parts. Never operate this machine in bare feet or sandals. Wear leather work gloves when feeding material in the chipper chute.
- Before starting, check all bolts and screws for proper tightness to be sure the machine is in safe working condition. Also, visually inspect machine for any damage at frequent intervals.
- Maintain or replace safety and instructions labels, as necessary.
- To avoid personal injury or property damage use extreme care in handling gasoline. Gasoline is extremely flammable and the vapors are explosive. Serious personal injury can occur when gasoline is spilled on yourself or your clothes which can ignite. Wash your skin and change clothes immediately.
- Use only an approved gasoline container.
- Extinguish all cigarettes, cigars, pipes, and other sources of ignition.
- Never fuel machine indoors.
- Never remove gas cap or add fuel while the engine is hot or running.
- Allow engine to cool at least two minutes before refueling.
- Never over fill fuel tank. Fill tank to no more than 1/2 inch below bottom of filler neck to provide space for fuel expansion.
- Replace gasoline cap and tighten securely.
- If gasoline is spilled, wipe it off the engine and equipment. Move machine to another area. Wait 5 minutes before starting the engine.
- Never store the machine or fuel container inside where there is an open flame, spark, or pilot light (e.g. furnace, water heater, space heater, clothes dryer, etc.).
- To reduce a fire hazard, keep machine free of grass, leaves, or other debris build-up. Clean up oil or fuel spillage and remove any fuel soaked debris.
- Allow machine to cool at least 5 minutes before storing.

SAFETY INSTRUCTIONS

OPERATION

- Do not put hands and feet near rotating parts or in the feeding chambers and discharge opening. Contact with the rotating impeller can amputate fingers, hands, and feet.
- Before starting the machine, make sure the chipper chute, feed intake, and cutting chamber are empty and free of all debris.
- Thoroughly inspect all material to be shredded and remove any metal, rocks, bottles, cans, or other foreign objects which could cause personal injury or damage to the machine.
- If the impeller strikes a foreign object or if your machine should start making an unusual noise or vibration, immediately shut the engine off. Allow the impeller to come to a complete stop. Disconnect the spark plug wire, ground it against the engine and perform the following steps:
 1. Inspect for damage.
 2. Repair or replace any damaged parts.
 3. Check for any loose parts and tighten to assure continued safe operation.
- Do not allow an accumulation of processed material to build up in the discharge area. This can prevent proper discharge and result in kickback of material through the feed opening.
- Do not attempt to shred or chip material larger than specified on the machine or in this manual. Personal injury or machine damage could result.
- Never attempt to unclog either the feed intake or discharge opening while the engine is running. Shut the engine off, wait until all moving parts have stopped, disconnect the spark plug wire and ground it against the engine before clearing debris.
- Never operate without vacuum bag and discharge chute properly attached to the machine. Never empty or change vacuum bag while the engine is running. Zippered end of vacuum bag must be kept closed at all times during operation.
- Never operate without either the inlet nozzle or optional hose attachment properly attached to the machine. Never attempt to attach or change either attachment while the engine is running.
- Keep all guards, deflectors and safety devices in place and operating properly.
- Keep your face and body back and to the side of the chipper chute while feeding material into the machine to avoid accidental kickback injuries.
- Never operate this machine without good visibility or light. Always be sure of your footing and keep a firm hold on the handles.
- Do not operate this machine on a gravel surface.
- Do not operate this machine while under the influence of alcohol or drugs.
- Muffler and engine become hot and can cause a burn. Do not touch.
- Never pick up or carry machine while the engine is running.

MAINTENANCE & STORAGE

- Never tamper with safety devices. Check their proper operation regularly.
- Check bolts and screws for proper tightness at frequent intervals to keep the machine in safe working condition. Also, visually inspect machine for any damage and repair, if needed.
- Before cleaning, repairing, or inspecting, stop the engine and make certain the impeller and all moving parts have stopped. Disconnect the spark plug wire and ground it against the engine to prevent unintended starting.
- Do not change the engine governor settings or overspeed the engine. The governor controls the maximum safe operating speed of the engine.
- Maintain or replace safety and instruction labels, as necessary.
- Follow this manual for safe loading, unloading, transporting, and storage of this machine.
- Never store the machine or fuel container inside where there is an open flame, spark or pilot light such as a water heater, furnace, clothes dryer, etc.
- Always refer to the operator's manual for proper instructions on off-season storage.
- If the fuel tank has to be drained, do this outdoors.
- Observe proper disposal laws and regulations for gas, oil, etc. to protect the environment.

Do not modify engine


To avoid serious injury or death, do not modify engine in any way. Tampering with the governor setting can lead to a runaway engine and cause it to operate at unsafe speeds. Never tamper with factory setting of engine governor.

This page left intentionally blank.

SAFETY LABELS

DANGER
TO AVOID SERIOUS INJURY

- READ OPERATOR'S MANUAL.
- KEEP HANDS OUT OF INLET AND DISCHARGE OPENINGS WHILE MACHINE IS RUNNING. ROTATING BLADES ARE INSIDE
- TURN ENGINE OFF AND ALLOW IMPELLER TO COME TO COMPLETE STOP BEFORE REMOVING BAG.
- DO NOT ATTEMPT TO CLEAR A CLOG OR JAM WITH THE ENGINE RUNNING.
- DO NOT OPERATE UNIT WITHOUT BAG OR OPTIONAL BLOWER CHUTE IN PLACE.
- DO NOT STAND OR WALK IN FRONT OF BLOWER CHUTE OR AIM IT AT BYSTANDERS. OBJECTS THROWN OUT OF DISCHARGE CAN CAUSE PERSONAL INJURY.
- DO NOT OPERATE WHEN CHILDREN OR OTHERS ARE AROUND.
- WEAR APPROVED SAFETY GLASSES.



⚠ DANGER

- KEEP HANDS OUT OF DISCHARGE OPENING.
- DO NOT STAND OR WALK IN FRONT OF DISCHARGE OPENING OR AIM IT AT BYSTANDERS. OBJECTS THROWN OUT OF CHUTE CAN CAUSE PERSONAL INJURY
- KEEP CHILDREN AND OTHERS AWAY

S 30270



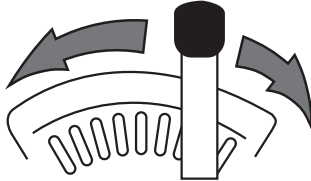
⚠ DANGER

STOP Keep hands out of inlets while engine is running. Rotating blades are inside.

FRONT WHEEL / VACUUM NOZZLE HEIGHT ADJUSTER

HIGH

For use in grass to pick up leaves and debris



LOW

To pick up wet material, pine cones, acorns or material on pavement.

ASSEMBLY

IMPORTANT: This unit is shipped without gasoline or oil in the engine. Be certain to service engine with gasoline and oil as instructed in the separate engine manual before operating your machine.

NOTE: Reference to right and left hand side of the Yard Vacuum is observed from the operating position.

OPENING CARTON

1. Cut each corner of the carton vertically from top to bottom.
2. Remove all loose parts.
3. Remove loose packing material.

REMOVING UNIT FROM CARTON

1. Lift unit from the rear to detach it from underlying carton material and roll unit out of carton.
2. Check carton thoroughly for any other loose parts.

NOTE: Make sure not to crimp cables while removing loose parts or the entire unit from the carton.

LOOSE PARTS IN CARTON

(See Figure 1)

- Upper and Lower Handle
- Hose Assembly
- Safety Glasses
- Engine Oil (May be located in bag)
- Bag
- Blower Chute
- Operator's Manual

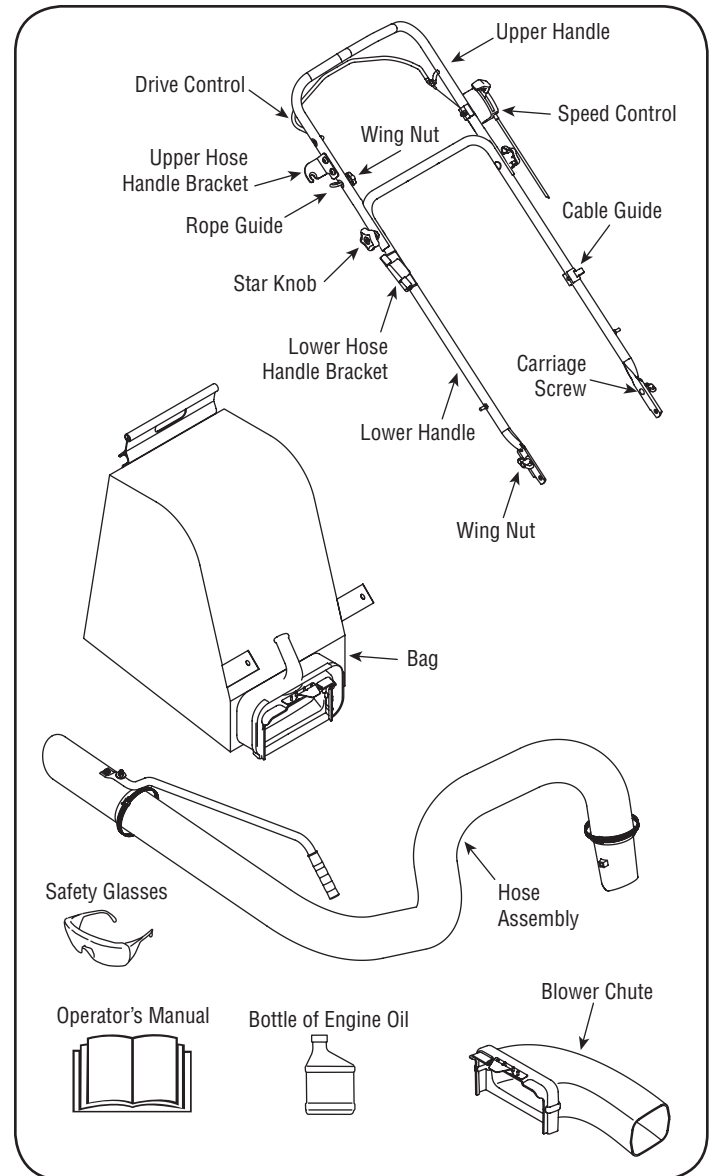


Figure 1

ASSEMBLY

ATTACHING THE HANDLE

1. Remove the hairpin clips from the handle brackets and remove the carriage screws and wing nuts from the lower handle.
 - a. Place the bottom holes in lower handle over the pins on the handle brackets and secure with hairpin clips. See Figure 2.
 - b. Insert carriage screws through upper hole in lower handle from the inside and secure with wing nuts. See Figure 2.
2. a. Unfold the upper handle until it aligns with lower handle. Make sure the rope guide is on the right side of upper handle. See Figure 3.

IMPORTANT: Make sure the cables are routed outside the lower handle. Also, do not crimp the cables while lifting up the handles.

- b. Secure the two handles by tightening the handle knobs (carriage bolts must be seated properly into the handle). See Figure 3.
3. Pull the two cable ties attached to the cables tight approximately 8 inches from each cable end and place the cables into the cable guide.
 4. Loosen the wing nut that secures the rope guide to the right side of upper handle.
 - a. Pull the starter rope out of the engine slowly. See Figure 4.
 - b. Slip the starter rope into the rope guide. Tighten the wing nut. See Figure 4.

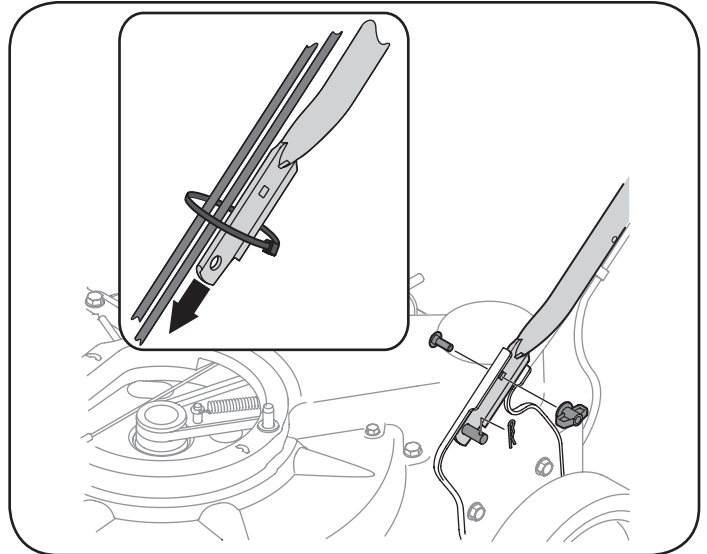


Figure 2

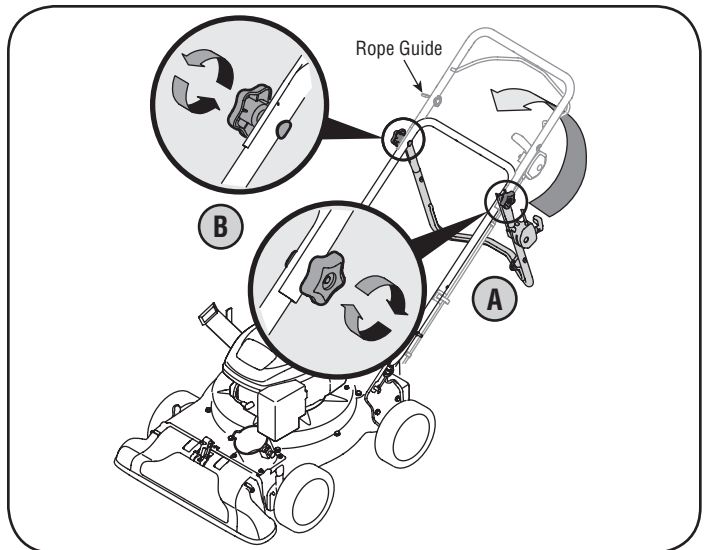


Figure 3

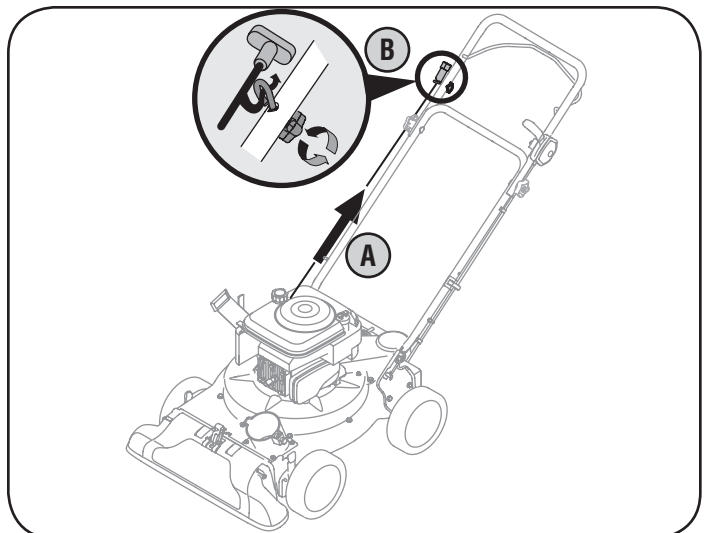


Figure 4

ASSEMBLY

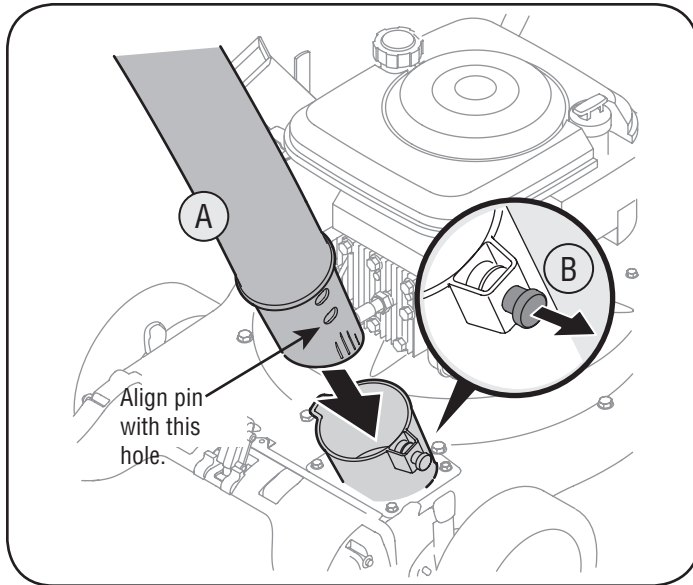


Figure 5

ATTACHING THE HOSE ASSEMBLY

- a. Slide hose adapter of hose assembly into the base adapter located on the left front of the Yard Vacuum. See Figure 5.
- b. Pull spring loaded pin out on the base and align pin with the first hole (closest to the end of the tube) in the hose adapter.
- c. Release the pin to lock the hose in place.
2. a. Snap the hose handle first into the upper hose handle bracket and then into the lower hose handle bracket.
- b. Lay hose tubing on hanger bracket next to chipper chute. See Figure 6.

ATTACHING THE BAG

1. Grasp bag handle with one hand and slide locking rod on mounting bracket with other hand toward engine. Use the end of mounting bracket as leverage when sliding the locking rod.
 - a. Slip bag over the rim of the discharge opening and release locking rod to secure bag in place. See Figure 7.
 - b. Snap bag clip to the top of the lower handle.
 - c. Place the lower straps on the bag over the top of lower handle, hooking them on the studs. See Figure 7.

NOTE: The bag/chute switch button attached to the mounting bracket must be fully depressed by the tip of front tab on bag handle when securing the bag or engine will not start.

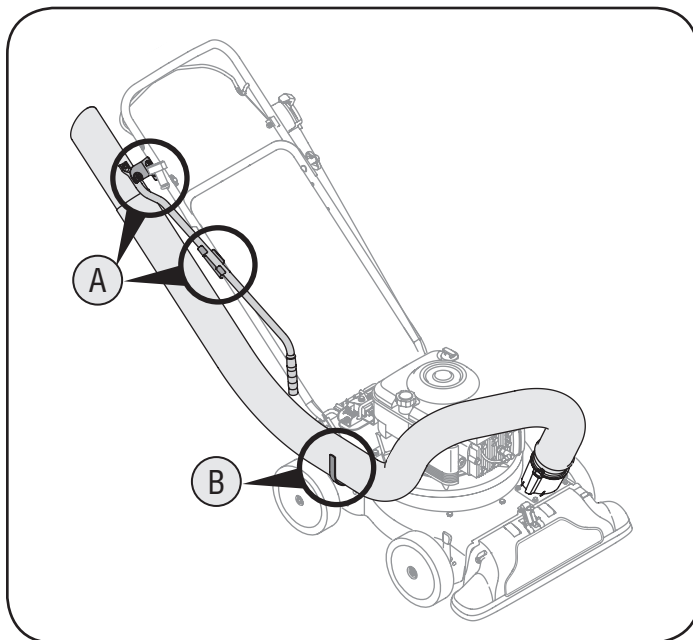


Figure 6



Figure 7

ASSEMBLY

ATTACHING THE BLOWER CHUTE

NOTE: The bag must be removed before installing the blower chute.

- a. Grasp blower chute with one hand and slide locking rod on mounting bracket with other hand toward engine. Use the end of mounting bracket as leverage when sliding the locking rod. See Figure 8.
- b. Slip blower chute over rim of discharge opening and release locking rod to secure chute in place, as in Figure 8.
- c. Raise the nozzle height to the highest setting when using the blower chute. Refer to nozzle height adjustment below.

NOTE: The bag/chute switch button attached to the mounting bracket must be fully depressed by the tip of front tab on the blower chute or engine will not start.

⚠ WARNING

Always stop engine and disconnect spark plug wire before performing any maintenance or adjustments. Always wear safety glasses during operation or while performing any adjustments or repairs.

NOZZLE HEIGHT ADJUSTMENT

The nozzle can be adjusted to any five positions, ranging from 5/8" to 4 1/8" ground clearance. The nozzle height has to be adjusted according to yard conditions.

1. Depress nozzle height adjustment lever towards wheel. See Figure 9.
2. Move the height adjustment lever forward or backward to adjust the nozzle upwards or downwards. Make sure both levers are in the same position.
3. Release lever towards deck.

NOTE: In general, raise the nozzle height to vacuum a thick layer of leaves or to operate with the blower chute. Lower the nozzle height for smoother surfaces.

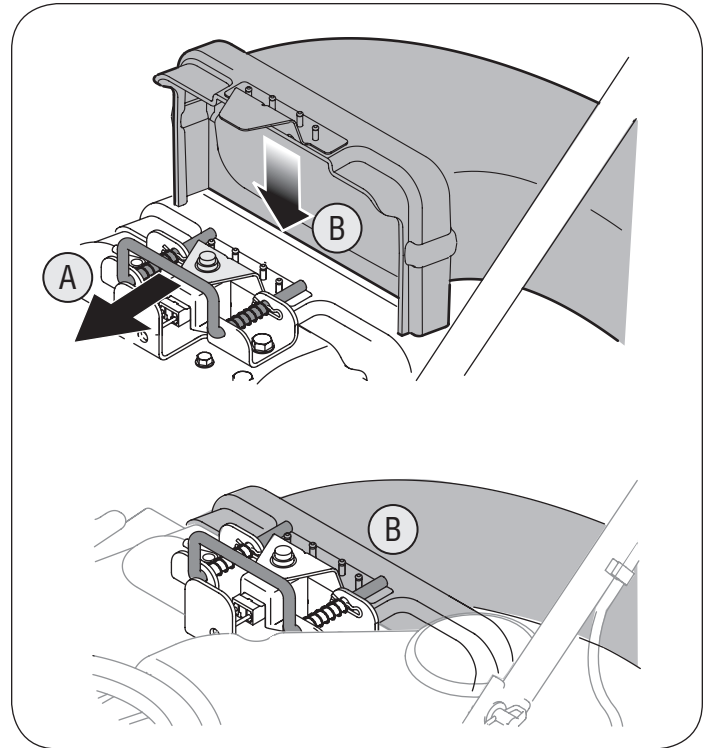


Figure 8

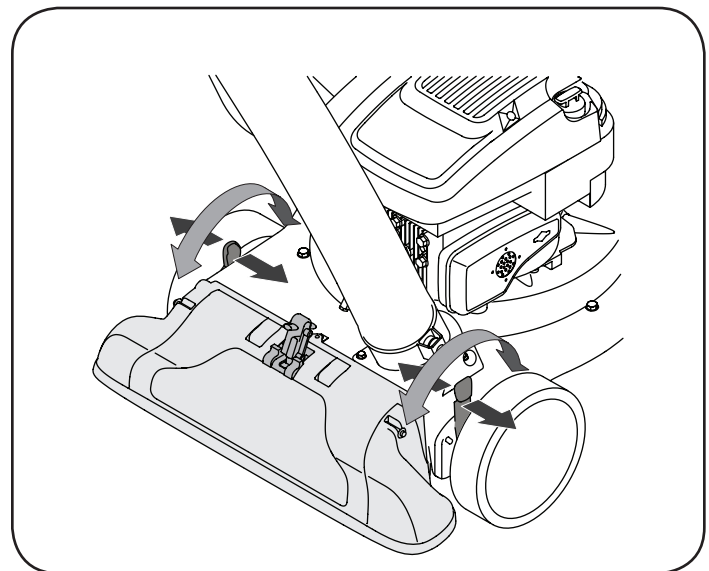


Figure 9

OPERATION

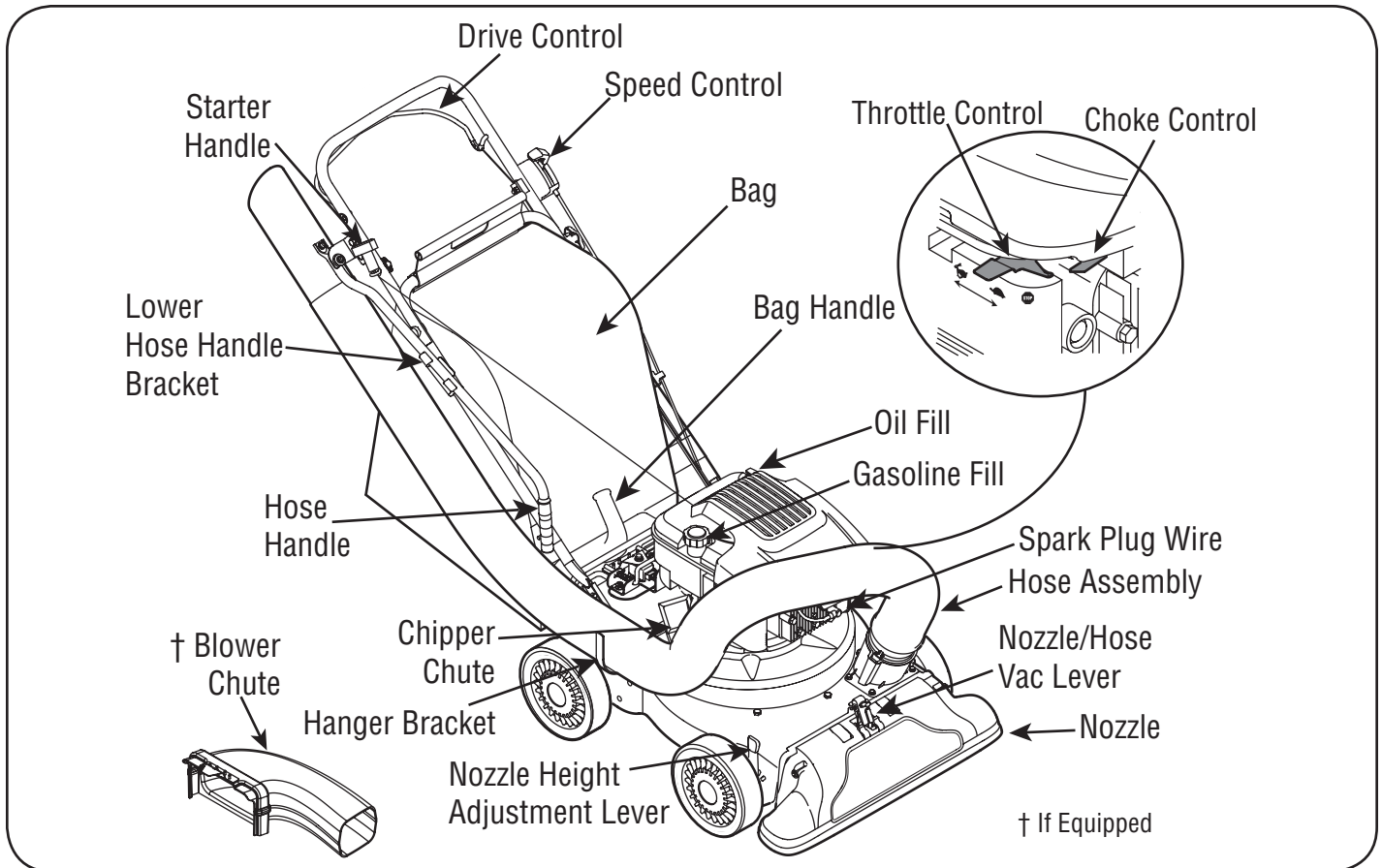


Figure 10

Now that you have set up your yard vacuum for operation, get acquainted with its controls and features. These are described below and illustrated on this page. This knowledge will allow you to use your new equipment to its fullest potential.

⚠ WARNING

The operation of any yard vacuum can result in foreign objects being thrown into the eyes, which can damage your eyes severely. Always wear the safety glasses provided with this unit or eye shields while operating or performing any adjustments or repairs on it.

CHIPPER CHUTE

Allows twigs and small branches up to 1-1/2" in diameter to be fed into the impeller for chipping. See Figure 10.

DRIVE CONTROL

Located on the underside of the upper handle, the drive control is used to engage/disengage wheels. Fully squeeze the drive control against the upper handle to engage the wheels; release to disengage. (DO NOT slip clutch).

SPEED CONTROL

Located on the left side of the upper handle, the speed control is used to select the forward speed of the yard vacuum.

IMPORTANT: Move the speed control only when the engine is running. Changing the speed control setting with the engine off can damage the yard vacuum.

NOZZLE HEIGHT ADJUSTMENT LEVER

Used to adjust the nozzle ground clearance ranging approximately from 5/8" to 4 1/8". See Figure 10.

NOZZLE

Yard waste such as leaves or pine needles can be vacuumed up through the nozzle for shredding.

HOSE ASSEMBLY

Used as an alternative to the nozzle to vacuum yard waste such as leaves or pine needles in hard to reach places. See Figure 10.

NOZZLE/ HOSE VAC LEVER

The nozzle/hose vac handle is located on top of the nozzle. Use it to switch vacuum suction between the nozzle and the hose assembly.

HOSE HANDLE

Used to guide hose assembly when vacuuming.

Meets ANSI Safety Standards

Craftsman Yard Vacuums conform to the safety standard of the American National Standards Institute (ANSI).

OPERATION

BAG HANDLE

Used to grasp bag in order to assist in attaching, removing, and emptying bag. See Figure 10.

BAG

Collects shredded material fed through the chipper chute or vacuumed through the nozzle or hose.

BLOWER CHUTE

When attached to unit, the blower chute is used to discharge yard waste such as leaves, pine needle, or small twigs across yard.

THROTTLE CONTROL

This lever controls the engine speed and stop function. Through three separate positions on the lever from left to right, the operation is as follows:



Start/ Run



Slow/ Idle



Engine Off

CHOKE CONTROL

The choke control is used to choke the carburetor and assist in starting the engine.

STARTER HANDLE

Used to start the engine.

GAS AND OIL FILL-UP

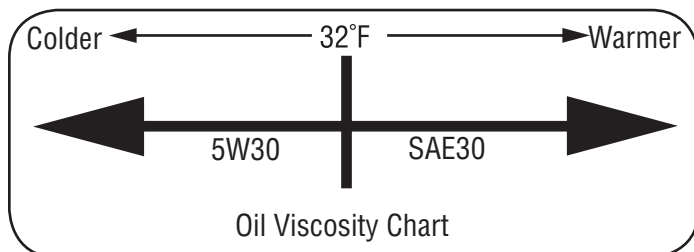
Oil (one bottle shipped with unit)

First Time Use

1. Remove oil fill dipstick.
2. With the Yard Vacuum on level ground, use a funnel to empty entire contents of oil bottle provided into the engine.
3. Replace oil fill dipstick and tighten.

Subsequent Uses

Only use high quality detergent oil rated with API service classification SF, SG, or SH. Select the oil's SAE viscosity grade according to the expected operating temperature. Follow the chart below:



Although multi-viscosity oils (5W30, 10W30, etc.) improve starting in cold weather, they will result in increased oil consumption when used above 32°F. Check your engine oil level more frequently to avoid possible engine damage from running low on oil.

1. Check the oil level making certain not to rub the dipstick along the inside walls of the oil fill tube. This would result in a false dipstick reading. Refill to FULL mark on dipstick, if necessary. Capacity is approximately 18 oz. Overfilling will cause the engine to smoke profusely and will result in poor engine performance.
2. Replace oil fill dipstick and tighten.
3. Keep oil level at FULL. Running the engine with too little oil can result in permanent engine damage.

⚠ WARNING

Use extreme care when handling gasoline. Gasoline is extremely flammable and the vapors are explosive. Never fuel machine indoors or while the engine is hot or running. Extinguish cigarettes, cigars, pipes, and other sources of ignition.

Gasoline

1. Remove fuel cap from the fuel tank.
2. Make sure the container from which you will pour the gasoline is clean and free from rust or foreign particles. Never use gasoline that may be stale from long periods of storage in its container. Gasoline that has been sitting for any period longer than four weeks should be considered stale.
3. Fill fuel tank with clean, fresh, unleaded regular gasoline only. Do not use gasoline containing METHANOL. Replace fuel cap.

⚠ CAUTION

Use Alcohol blended fuels (called gasohol or using ethanol or methanol) can attract moisture which leads to separation and formation of acids during storage. Acidic gas can damage the fuel system of an engine while in storage.

⚠ CAUTION

To avoid engine problems, the fuel system should be emptied before storage for 30 days or longer. Drain the gas tank, start the engine and let it run until the fuel lines and carburetor are empty. Use fresh fuel next season. See STORAGE Instructions for additional information.

⚠ CAUTION

Never use engine or carburetor cleaner products in the fuel tank or permanent damage may occur.

NOTE: Check the fuel level periodically to avoid running out of gasoline while operating the Yard Vacuum. If the unit runs out of gas as it is chipping, it may be necessary to unclog the discharge area before it can be restarted. Refer to SERVICE AND MAINTENANCE section.

OPERATION

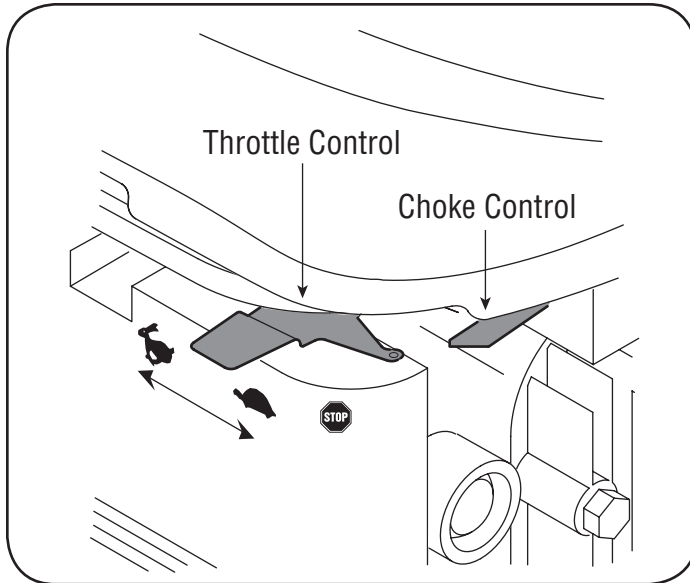


Figure 11

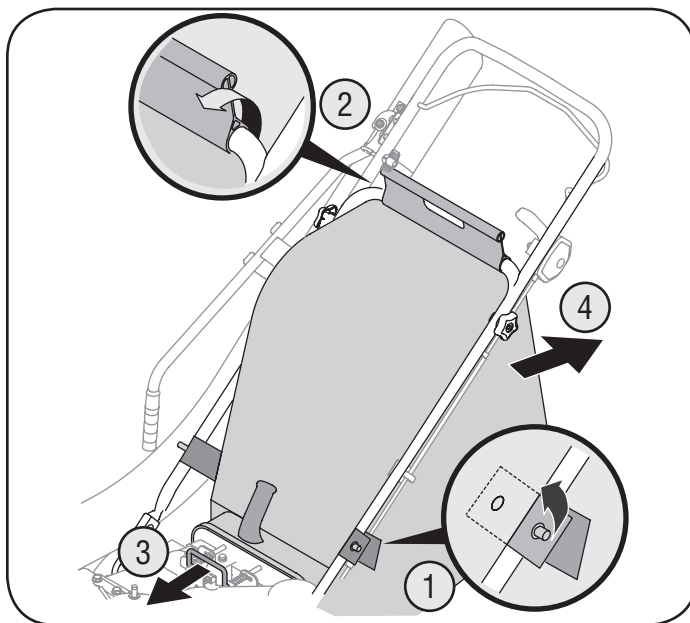


Figure 12

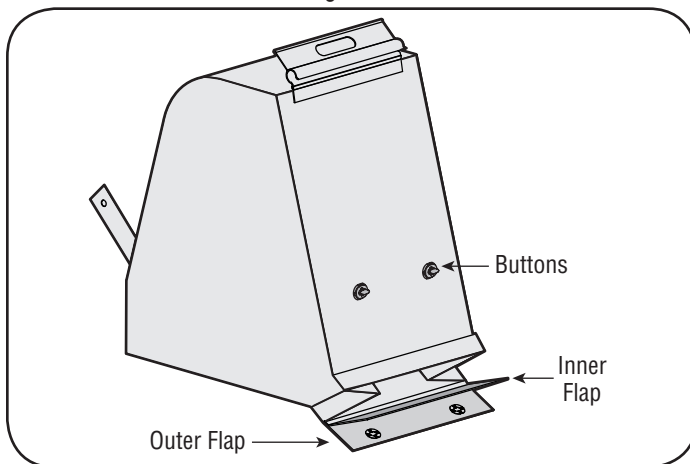





Figure 13



⚠ WARNING

When moving throttle control lever, be careful of heated surfaces and sharp edges on muffler guard.

TO START ENGINE

1. Attach spark plug wire and rubber boot to spark plug.
2. The bag/chute switch button must be fully depressed by the tip of front tab on bag handle or blower chute for engine to start.
3. Make sure bag/chute switch wire is connected to engine and grounded to mounting bracket.
4. Gas tank should be filled 3/4 to full before starting.
5. Move throttle control to START/RUN (Rabbit)  position. See Figure 11.
6. Move the choke control  toward the throttle control to choke the engine's carburetor. (A warm engine may not require choking.) See Figure 11.
7. Standing behind the unit, grasp starter handle and pull rope out until you feel a drag.
8. Pull the rope with a rapid, continuous, full arm stroke. Keep a firm grip on the starter handle. Let the rope rewind slowly.
9. Repeat, if necessary, until engine starts. When engine starts, move choke control gradually away from the throttle control.
10. If engine falters, move choke control back toward the throttle control and repeat steps 7 through 9.
11. ALWAYS keep the throttle control in the START/RUN  position when operating the Yard Vacuum.

TO STOP ENGINE

1. Move throttle control lever to slow (turtle)  position. Whenever possible, gradually reduce engine speed before stopping engine.
2. Move throttle control lever to STOP  or OFF position.
3. Disconnect spark plug wire and ground it to the retaining post to prevent accidental starting while the equipment is unattended.

TO EMPTY BAG

1. Unhook bag straps from the lower handle.
2. Unsnap bag clip from the top of lower handle. See Figure 12.
3. Grasp bag handle with one hand and pull lock rod on mounting bracket with other hand toward engine to release.
4. Lift bag off back of unit.
5. Twist the two buttons on the back of the bag to unlock and empty contents. See Figure 13. Hold bag handle and bag clip while emptying the contents.
6. Compress bag opening and fold inner flap over opening.
7. Fold outer flap over inner flap and insert buttons on the bag through metal outlets. See Figure 13.
8. Twist the buttons to lock bag. Place bag back onto unit as instructed in the ASSEMBLY section.

OPERATION

TO REMOVE BLOWER CHUTE

1. Grasp blower chute with one hand and pull lock rod on mounting bracket with other hand toward engine to release. Refer to Figure 8 in the ASSEMBLY section.
2. Remove blower chute from over the rim of the discharge opening.

USING THE NOZZLE VACUUM

1. Place nozzle/hose vac lever in the top position on the nozzle to vacuum through nozzle. See Figure 14.
2. The spring loaded pin must be in the first hole (closest to the end of the tube) of the hose adapter to operate the nozzle vac.
3. Place both hands on top of the upper handle and fully lift the drive control against the upper handle to propel the unit over yard.
4. Use the speed control to choose either the high or low speed. The speed control may be moved either while the unit is propelling or before engaging the wheels.

IMPORTANT: Move the speed control only when the engine is running. Changing the speed control setting with the engine off can damage the yard vacuum.

Yard waste such as leaves and pine needles can be vacuumed up through the nozzle for shredding. After material has been shredded by the flail blades on the impeller assembly, it will be discharged into catcher bag or through blower chute. Do not attempt to shred or chip any material other than vegetation found in a normal yard (i.e. branches, leaves, twigs, etc.) Avoid fibrous plants such as tomato vines until they are thoroughly dried out. Materials such as stalks or heavy branches up to 1-1/2" in diameter may be fed into the chipper chute.

⚠ WARNING

Do not attempt to shred, chip, or vacuum any material larger than specified on the machine or in this manual. Personal injury or damage to the machine could result.

IMPORTANT: The flail screen is located inside the housing in the discharge area. If the flail screen becomes clogged, remove and clean as instructed in the SERVICE & MAINTENANCE section. For best performance, it is also important to keep the chipper blade sharp.

⚠ WARNING

Do not at any time make any adjustments without first stopping engine and disconnecting spark plug wire.

USING THE HOSE ASSEMBLY

1. Place nozzle/hose vac handle in the bottom position on the nozzle to redirect vacuum to the hose assembly. See Figure 15.
2. The spring loaded pin must be in the second hole of the hose adapter to operate the hose assembly.
3. Unhook the hose from upper handle bracket and grasp the hose handle to guide while vacuuming yard waste such as leaves or pine needles in hard to reach places.

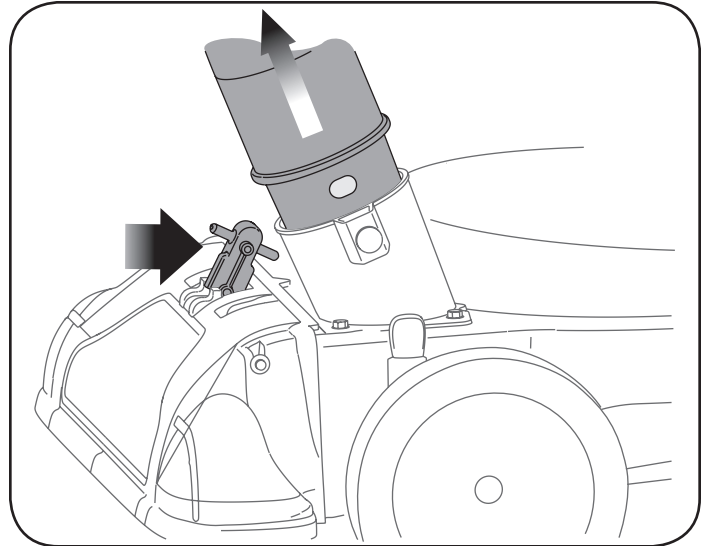


Figure 14

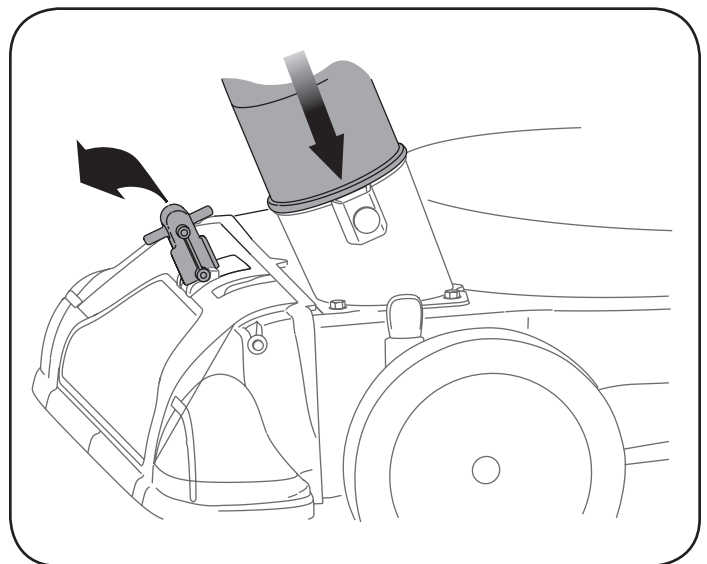


Figure 15

SERVICE AND MAINTENANCE

⚠ WARNING

Always stop engine and disconnect spark plug wire before performing any maintenance or adjustments. Always wear safety glasses during operation or while performing any adjustments or repairs.

GENERAL RECOMMENDATIONS

- Always observe safety rules when performing any maintenance.
- The warranty on this yard vacuum does not cover items that have been subjected to operator abuse or negligence. To receive full value from warranty, operator must maintain the equipment as instructed here.
- Some adjustments will have to be made periodically to maintain your unit properly.
- Periodically check all fasteners and make sure these are tight.

ENGINE MAINTENANCE

Checking the Spark Plug

Clean spark plug and reset the electrode gap to 0.020" at least once a season; replace every 100 hours of operation.

- Clean area around the spark plug base. Do not sandblast spark plug. Spark plug should be cleaned by scraping or wire brushing and washing with a commercial solvent.
- Remove and inspect the spark plug. Check gap to make sure it is set at .020". See Figure 16.
- Replace the spark plug if electrodes are pitted, burned, or the porcelain is cracked.

Servicing the Air Cleaner

⚠ CAUTION

Do not use pressurized air or solvents to clean the air cleaner cartridge.

The air cleaner prevents damaging dirt, dust, etc., from entering the carburetor and being forced into the engine and is important to engine life and performance. The air cleaner consists of a pleated filter. Never run the engine without an air cleaner completely assembled.

Clean or replace the air cleaner every 25 hours of operation.

1. Loosen screw and tilt plastic housing cover on side of engine down. See Figure 17.
2. Remove air filter from plastic housing cover and replace with clean or new filter.
3. Insert cover's tabs into slots in bottom of base.
4. Tilt cover up into place and tighten screw.

NOTE: If the filter is torn or damaged in any way, replace it.

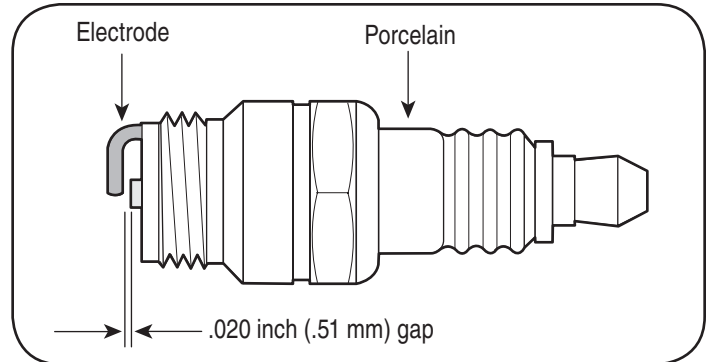


Figure 16

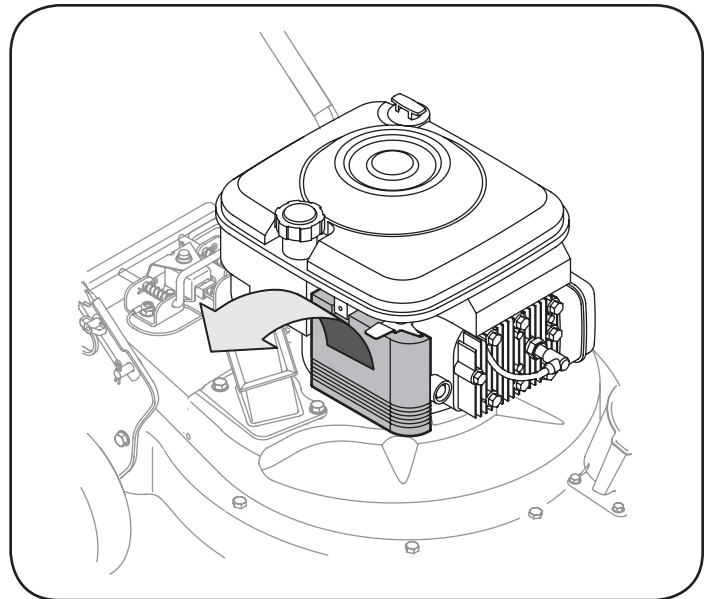


Figure 17

SERVICE AND MAINTENANCE

Check Engine Oil

1. Stop engine and wait several minutes before checking oil level. With engine on level ground, the oil must be to FULL mark on dipstick.
2. Remove oil fill dipstick and wipe clean with cloth.
3. Replace and tighten dipstick. Remove and check oil level. Level should be at FULL mark.
4. If needed, add oil slowly - recheck. Do not overfill.
5. Wipe dipstick clean, replace and tighten. Remove and check oil level. Oil level should be at FULL line on dipstick.

⚠ CAUTION

Do not overfill. Overfilling with oil may cause the engine to not start, or hard starting. If over the FULL mark on the dipstick, drain oil to reduce oil level to FULL mark on dipstick.

Change Engine Oil

- Only use high quality detergent oil rated with API service classification SF, SG, or SH. Select the oil's SAE viscosity grade according to the expected operating temperature. Refer to operation section for viscosity chart.
- Change engine oil after the first five to eight hours of operation, and every fifty hours or every season thereafter. Change oil every twenty five hours when operating engine under heavy load or in high temperatures.

To Drain Oil

1. Drain the fuel from the tank by running the engine until the fuel tank is empty.
2. Disconnect spark plug wire and keep it away from spark plug.
3. With engine OFF but still warm remove oil fill dipstick.
4. Tip unit on its side (spark plug side up) to drain through the oil fill tube into appropriate receptacle.

⚠ CAUTION

Used oil is a hazardous waste product. Dispose of used oil properly. Do not discard with household waste. Check with your local authorities or Sears Service Center for safe disposal/recycling facilities.

5. When engine is drained of all oil, place engine level. Refill with approximately 18 oz. of fresh oil. Fill to FULL line on dipstick. Do not overfill. Refer to **Gas And Oil Fill-Up** in OPERATION section.
6. Replace oil fill dipstick and tighten.
7. Replace spark plug wire before starting.

⚠ WARNING

Temperature of muffler and nearby areas may exceed 150° F (65°C). Avoid these areas.

Service Muffler

- Inspect muffler periodically, and replace if necessary. Replacement parts for the muffler must be the same and installed in the same position as the original parts, otherwise fire can occur.

Clean Engine

- Daily or before every use, clean grass, chaff or accumulated debris from engine. Keep linkage, spring, and controls clean. Keep area around and behind muffler free of any combustible debris.
- Keeping engine clean allows air movement around engine.
- Engine parts should be kept clean to reduce the risk of overheating and ignition of accumulated debris. This is especially important if cutting tall grass.

⚠ CAUTION

Do not use water to clean engine parts. Water could contaminate fuel system. Use a brush or dry cloth.

Carburetor Adjustment

The carburetor on this engine is not adjustable.

Engine Speed

⚠ WARNING

Do not attempt to alter the engine speed by tampering with the engine's governor linkage. Doing so could result in serious personal injury and damage to the engine. The engine RPM has been set at the factory.

LUBRICATION

- **Wheels-** Place a few drops of SAE 30 oil on each shoulder screw once a season.
- **Nozzle height adjustment levers-** Lubricate nozzle height adjustment levers with light oil.
- **Locking Rod-** Lubricate the lock rod and compression springs which attach to the mounting bracket.
- **Nozzle/Hose Vac Lever:** Lubricate the nozzle/hose vac lever on top of the nozzle once a season with light oil.

CLEAN EQUIPMENT

- Clean the Yard Vacuum thoroughly after each use.
- Wash bag periodically with water. Allow to dry thoroughly in shade.
- If the flail screen becomes clogged, remove and clean as instructed below.

NOTE: Cleaning with a forceful spray of water is not recommended as it could contaminate the fuel system.

SERVICE AND MAINTENANCE

⚠ WARNING

Before performing any type of maintenance on the machine, wait for all parts to stop moving and disconnect the spark plug wire. Failure to follow this instruction could result in personal injury or property damage.

DRIVE CONTROL CABLE ADJUSTMENT

Adjust the drive control cable if the yard vacuum does not self propel with the drive control engaged, or if the unit hesitates while the engine maintains the same speed after approximately 20 hours of use.

To move the z-fitting of the drive control cable from its factory set position in the front hole of the drive control to the rear hole, proceed as follows:

1. Push the right side of the control out of the right hole in the upper handle. See Figure 18A.
2. Pivot control down towards the lower handle.
3. Pivot straight up to remove it from the left hole in the upper handle. See Figure 18A.
4. There is now sufficient slack in the drive control cable to grasp the z-fitting with your hand and move it from the front hole to the rear hole of the drive control. See Figure 18B.

IMPORTANT: Make sure to insert the z-fitting into the rear hole as it was inserted in the front hole, that is from the **outside** of the drive control.

5. You may now carefully reinstall the drive control by performing the previous steps in the opposite order and manner of removal.

IMPORTANT: Once assembled and prior to restarting, make sure that the cable is properly adjusted. With the drive control disengaged, the unit should freely pull in reverse.

REMOVING THE FLAIL SCREEN

If the discharge area becomes clogged, remove the flail screen and clean area as follows:

1. Stop the engine. Make certain the chipper/shredder vacuum has come to a complete stop.
2. Before unlogging the discharge chute, **disconnect and ground the spark plug wire to retaining post.**
3. Remove the vacuum bag or blower chute from the unit as instructed in the OPERATION section to obtain access to flail screen.
4. Remove the three self tapping screws securing the belt cover, and remove belt cover. See Figure 19.

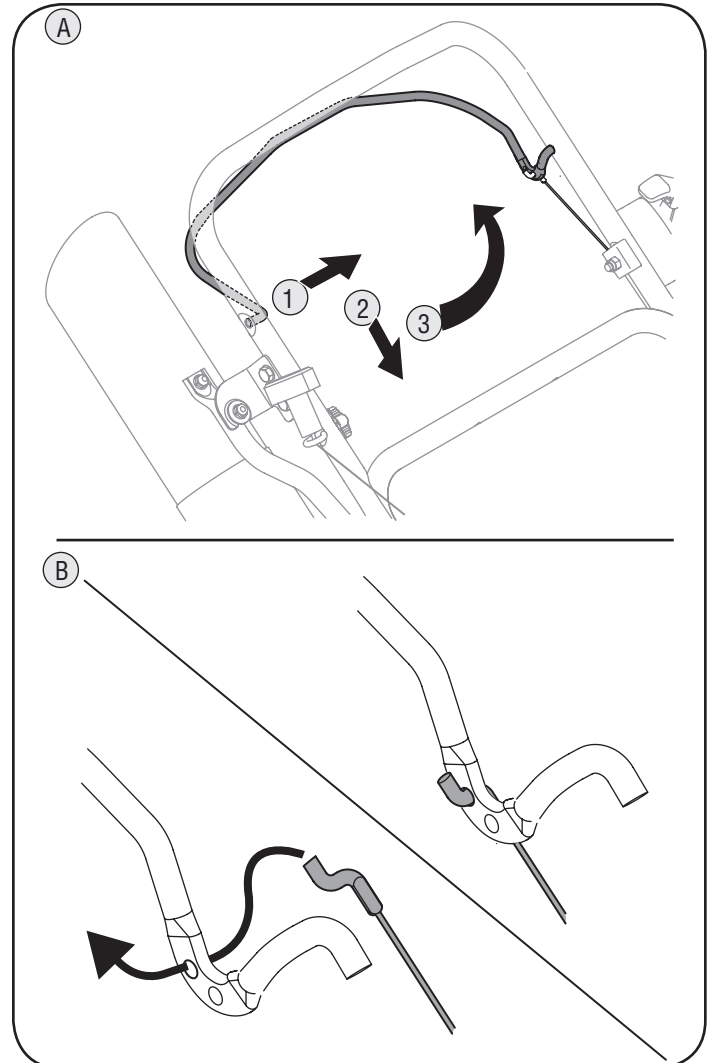


Figure 18

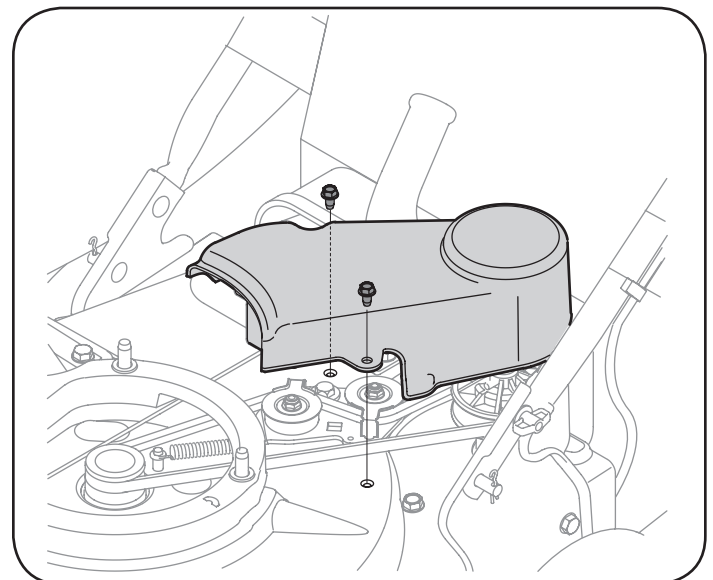


Figure 19

SERVICE AND MAINTENANCE

5. Remove self tapping screw on right side of unit that attaches to the flail screen. It may be necessary to remove the hose bracket to get access to the screw. See Figure 20.
6. Remove hex screw on top of rear housing near mounting bracket and the flange lock nut that secures flail screen. See Figure 20.
7. Remove and clean the screen by scraping or washing with water. See Figure 21.
8. Reinstall the screen.

SHARPENING OR REPLACING CHIPPER BLADE

NOTE: When tipping the unit, empty the oil and fuel tank and keep engine spark plug side up.

1. **Disconnect and ground the spark plug wire to retaining post.**
2. Remove bag assembly or blower chute.
3. Remove the three hex cap screws holding the hose hanger bracket and chipper chute to the upper housing. See Figure 22.
4. Remove the front hubcaps, flange lock nuts, front wheels, and wave washers that attach to the pivot arm assemblies. See Figure 23.
5. Remove the shoulder screws, thrust washers, and bell washers that go through the pivot arms to the front support brace. The front support brace and lock nut can be removed at this time as well.

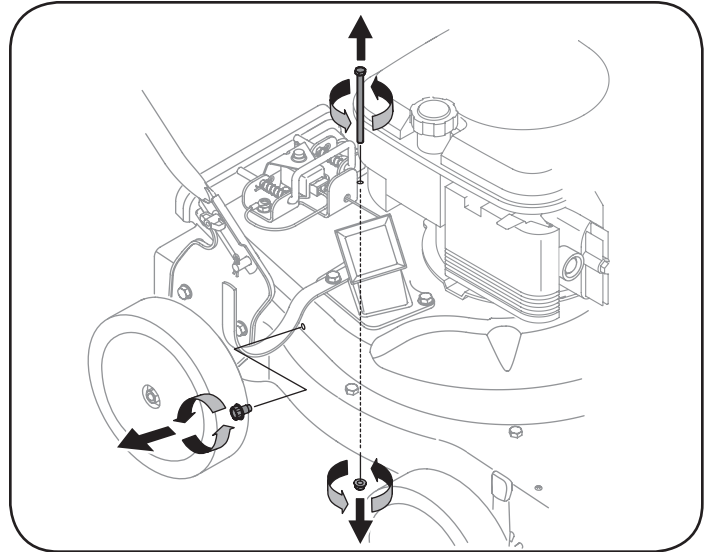


Figure 20

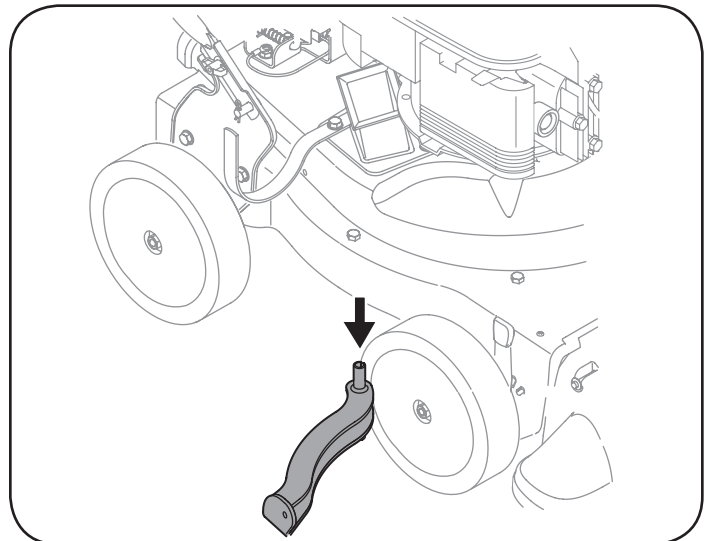


Figure 21

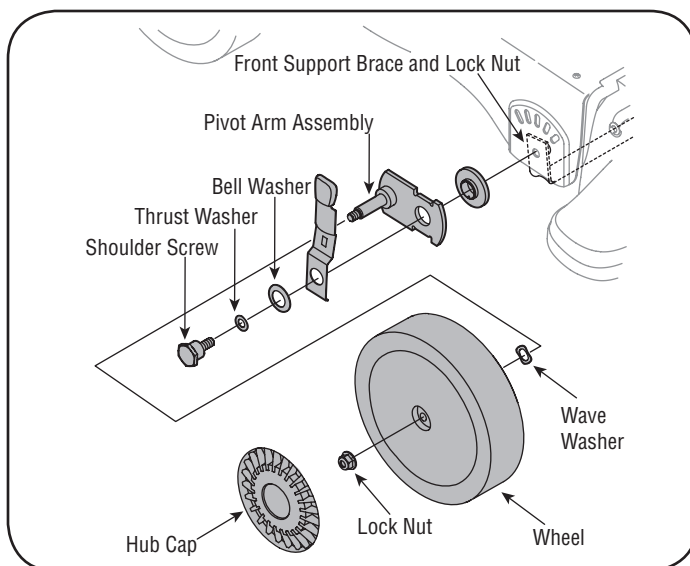


Figure 23

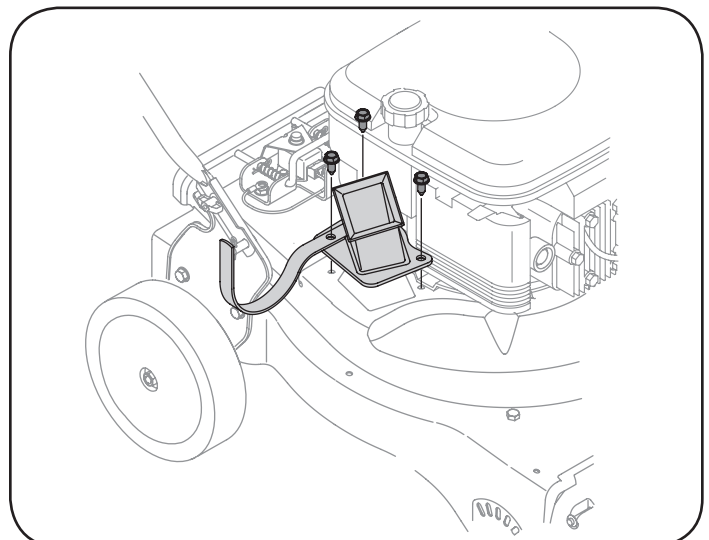


Figure 22

SERVICE AND MAINTENANCE

6. Remove the four screws on the upper housing that secure the nozzle cover. See Figure 24.
7. Carefully tilt and support the unit up to provide access underneath to the nozzle mounting hardware and impeller. Remove the three shoulder bolts securing the black plastic lower flail housing to the lower housing. Refer to Figure 25.
8. Tilt top of black plastic lower flail housing toward the engine to remove.
9. Using a 3/16" allen wrench, remove the flat head cap screws that hold the chipper blade to the impeller. These screws are accessible through the opening created when the chipper chute was removed earlier. See Figure 26.
10. The nuts on the flat head cap screws can be reached from underneath using a 1/2-inch socket, universal, and extension. See Figure 27.
11. Replace or sharpen chipper blade. The blade can be sharpened with a file or on a grinding wheel.

⚠ WARNING

The chipper blade is sharp. When sharpening blade, wear leather work gloves to protect your hands and follow the original angle of grind.

12. Reassemble by performing the previous steps in the opposite order and manner of removal.

NOTE: Tighten blade screws to 210 - 250 in-lbs. Make certain chipper blade is reassembled with the sharp edge facing upward.

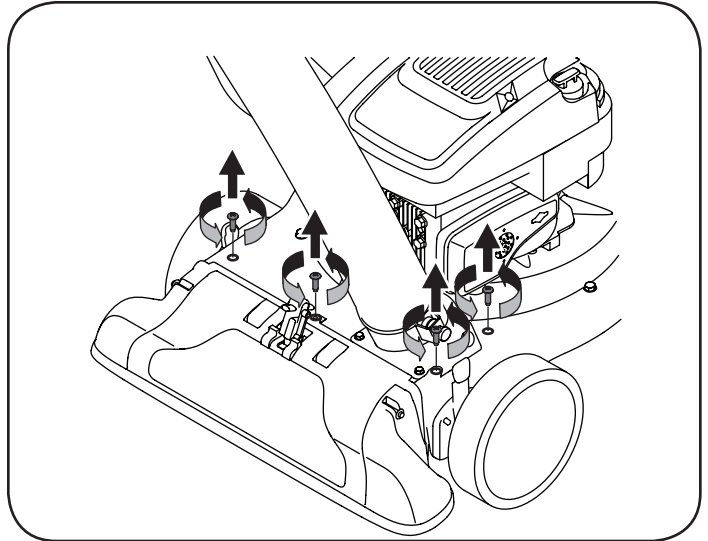


Figure 24

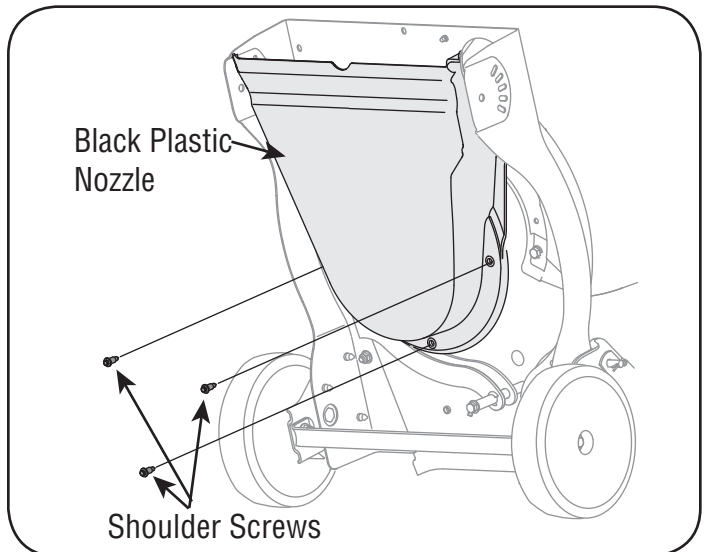


Figure 25

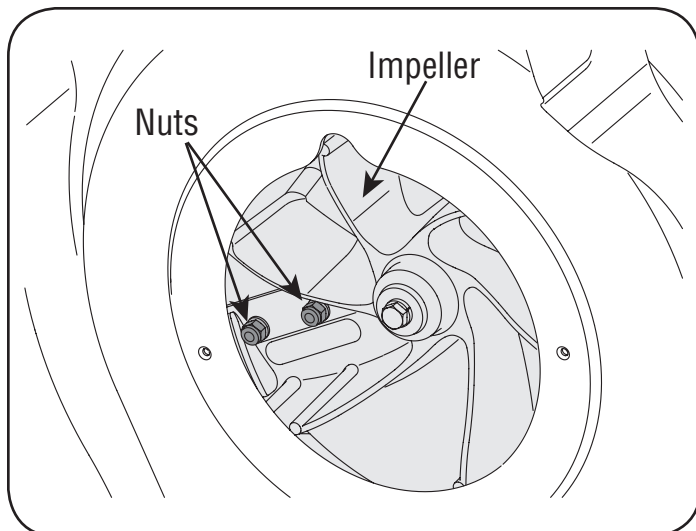


Figure 27

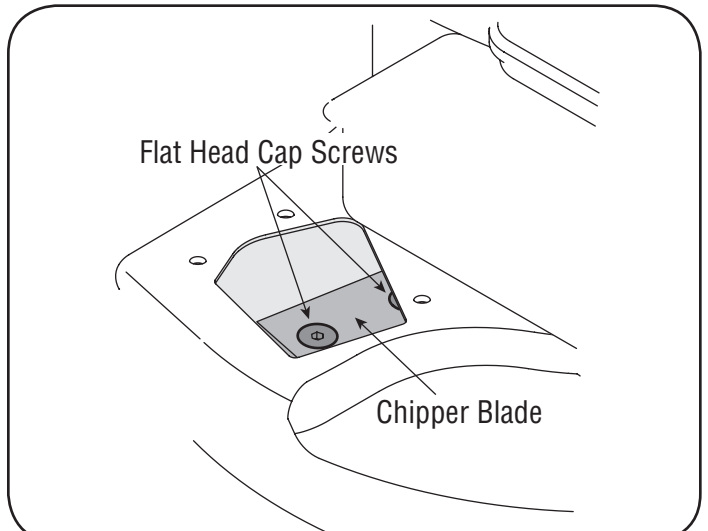


Figure 26

SERVICE AND MAINTENANCE

MAINTENANCE SCHEDULE

WARNING

Before performing any type of maintenance/service, disengage all controls and stop the engine. Wait until all moving parts have come to a complete stop. Disconnect spark plug wire and ground it against the engine to prevent unintended starting. Always wear safety glasses during operation or while performing any adjustments or repairs.

Follow the maintenance schedule given below. This chart describes service guidelines only. Use the Service Log column to keep track of completed maintenance tasks. **To locate the nearest Sears Service Center or to schedule service, simply contact Sears at 1-800-4-MY-HOME®.**

Interval	Item	Service	Service Log
Each Use	<ol style="list-style-type: none"> 1. Engine oil level 2. Loose or missing hardware 3. Unit and engine. 	<ol style="list-style-type: none"> 1. Check 2. Tighten or replace 3. Clean 	
1st 5 - 8 hours	<ol style="list-style-type: none"> 1. Engine oil 	<ol style="list-style-type: none"> 1. Change 	
25 hours	<ol style="list-style-type: none"> 1. Engine oil† 2. Air cleaner 3. Control linkages and pivots 	<ol style="list-style-type: none"> 1. Change 2. Clean or replace 3. Lube with light oil 	
50 hours	<ol style="list-style-type: none"> 1. Engine oil 	<ol style="list-style-type: none"> 1. Change 	
Annually or 100 hours	<ol style="list-style-type: none"> 1. Spark plug 	<ol style="list-style-type: none"> 1. Clean, replace, re-gap 	
Before Storage	<ol style="list-style-type: none"> 1. Fuel system 	<ol style="list-style-type: none"> 1. Run engine until it stops from lack of fuel or add a gasoline additive to the gas in the tank. 	

† Under heavy load or in high temperatures

OFF-SEASON STORAGE

WARNING

Never store yard vacuum with fuel in tank indoors or in poorly ventilated areas where fuel fumes may reach an open flame, spark, or pilot light as on a furnace, water heater, clothes dryer, or gas appliance.

PREPARING THE ENGINE

For engines stored over 30 days:

1. To prevent gum from forming in fuel system or on carburetor parts, run engine until it stops from lack of fuel or add a gasoline additive to the gas in the tank. If you use a gas additive, run the engine for several minutes to circulate the additive through the carburetor—after which the engine and fuel can be stored up to six months.
2. While engine is still warm, change the oil.
3. Remove spark plug and pour approximately 1 oz. (30 ml) of clean engine oil into the cylinder. Pull the recoil starter several times to distribute the oil, and reinstall the spark plug.
4. Clean engine of surface debris.

PREPARING THE YARD VACUUM

- When storing the yard vacuum in an unventilated or metal storage shed, care should be taken to rustproof the non-painted surfaces. Using a light oil or silicone, coat the equipment, especially any springs, bearings, and cables.
- Remove all dirt from exterior of engine and equipment.
- Follow lubrication recommendations.
- Store equipment in a clean, dry area. Do not store in an area where equipment is present that may use a pilot light or has a component that can create a spark.

TROUBLESHOOTING

WARNING

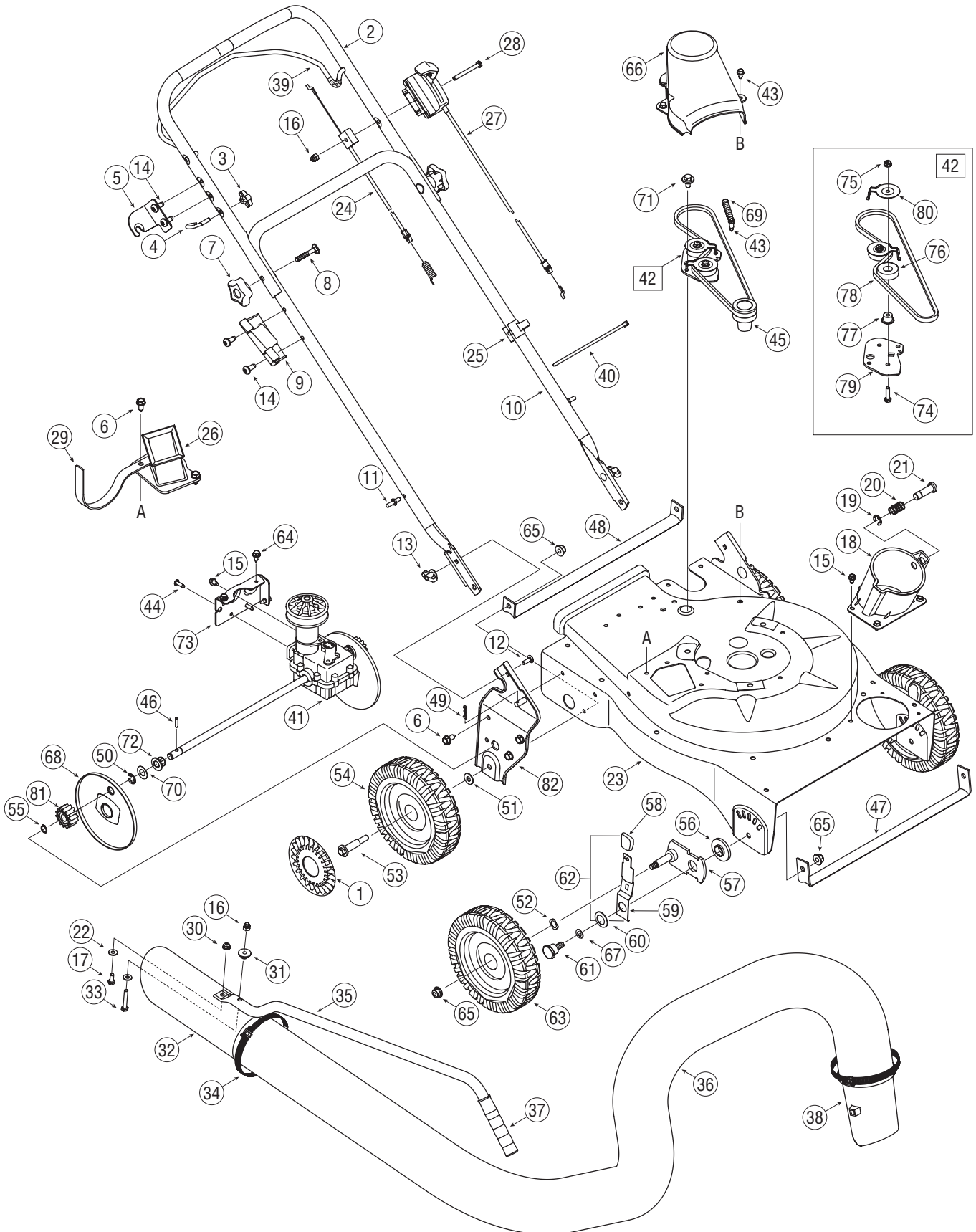
Before performing any type of maintenance/service, disengage all controls and stop the engine. Wait until all moving parts have come to a complete stop. Disconnect spark plug wire and ground it against the engine to prevent unintended starting. Always wear safety glasses during operation or while performing any adjustments or repairs.

This section addresses minor service issues. To locate the nearest Sears Service Center or to schedule service, simply contact Sears at 1-800-4-MY-HOME®.

Problem	Cause	Remedy
Engine fails to start	<ol style="list-style-type: none"> 1. Throttle lever not in correct starting position 2. Choke not in ON position 3. Spark plug wire disconnected 4. Faulty spark plug 5. Fuel tank empty or stale fuel 6. Cannot pull recoil cord 7. Safety switch not depressed 8. Safety switch wire is not connected to engine or not properly grounded 	<ol style="list-style-type: none"> 1. Move throttle lever to START/RUN position. 2. Move CHOKE to ON position. 3. Connect wire to spark plug. 4. Clean, adjust gap, or replace. 5. Fill tank with clean, fresh gasoline. 6. Obstruction lodged in impeller. Disconnect spark plug wire and remove lodged object. 7. Safety switch must be depressed by the front tab on the bag handle when securing the bag. 8. Connect safety switch wire to engine connector and ground to mounting bracket.
Engine runs erratically	<ol style="list-style-type: none"> 1. Unit running on CHOKE 2. Spark plug wire loose 3. Stale fuel 4. Water or dirt in fuel system 5. Dirty air cleaner 6. Low engine RPM 7. Carburetor out of adjustment 	<ol style="list-style-type: none"> 1. Move choke lever to OFF position. 2. Connect and tighten spark plug wire. 3. Fill tank with fresh gasoline. 4. Drain fuel. Refill with fresh fuel. 5. Clean or replace air cleaner filter. 6. Always run engine at full throttle. 7. Contact your Sears Parts & Repair Center.
Engine overheats	<ol style="list-style-type: none"> 1. Engine oil level low 2. Air flow restricted 	<ol style="list-style-type: none"> 1. Fill engine with proper amount and type of oil. 2. Clean grass clippings and debris from around the engine's cooling fins and blower housing.
Engine hesitates at high RPMs	<ol style="list-style-type: none"> 1. Spark plug gap set too close 	<ol style="list-style-type: none"> 1. Remove spark plug and adjust gap.
Engine idles poorly	<ol style="list-style-type: none"> 1. Fouled spark plug 2. Dirty air cleaner 	<ol style="list-style-type: none"> 1. Replace spark plug and adjust gap. 2. Replace air cleaner cartridge.
Excessive vibration	<ol style="list-style-type: none"> 1. Loose parts or damaged impeller 	<ol style="list-style-type: none"> 1. Stop engine immediately and disconnect spark plug wire. Contact your Sears Parts & Repair Center.
Unit does not discharge	<ol style="list-style-type: none"> 1. Discharge area clogged 2. Foreign object lodged in impeller 3. Low engine RPM 4. Vacuum bag is full 	<ol style="list-style-type: none"> 1. Stop engine immediately and disconnect spark plug wire. Clean flail screen and inside of discharge opening. 2. Stop engine and disconnect spark plug wire. Remove lodged object. 3. Always run engine at full throttle. 4. Empty bag.
Rate of discharge slows considerably or composition of discharged material changes	<ol style="list-style-type: none"> 1. Low engine RPM 2. Chipper blade dull 	<ol style="list-style-type: none"> 1. Always run engine at full throttle. 2. Replace chipper blade or contact your Sears Parts & Repair Center.
Unit fails to propel itself or slips when drive control is engaged	<ol style="list-style-type: none"> 1. Drive control cable out of adjustment 2. Drive belt worn or damaged 	<ol style="list-style-type: none"> 1. Follow adjustment procedure in Service & Maintenance section. 2. Contact your Sears Parts & Repair Center.

PARTS LIST

Craftsman 675 Series Yard Vacuum Model 247.77013.0



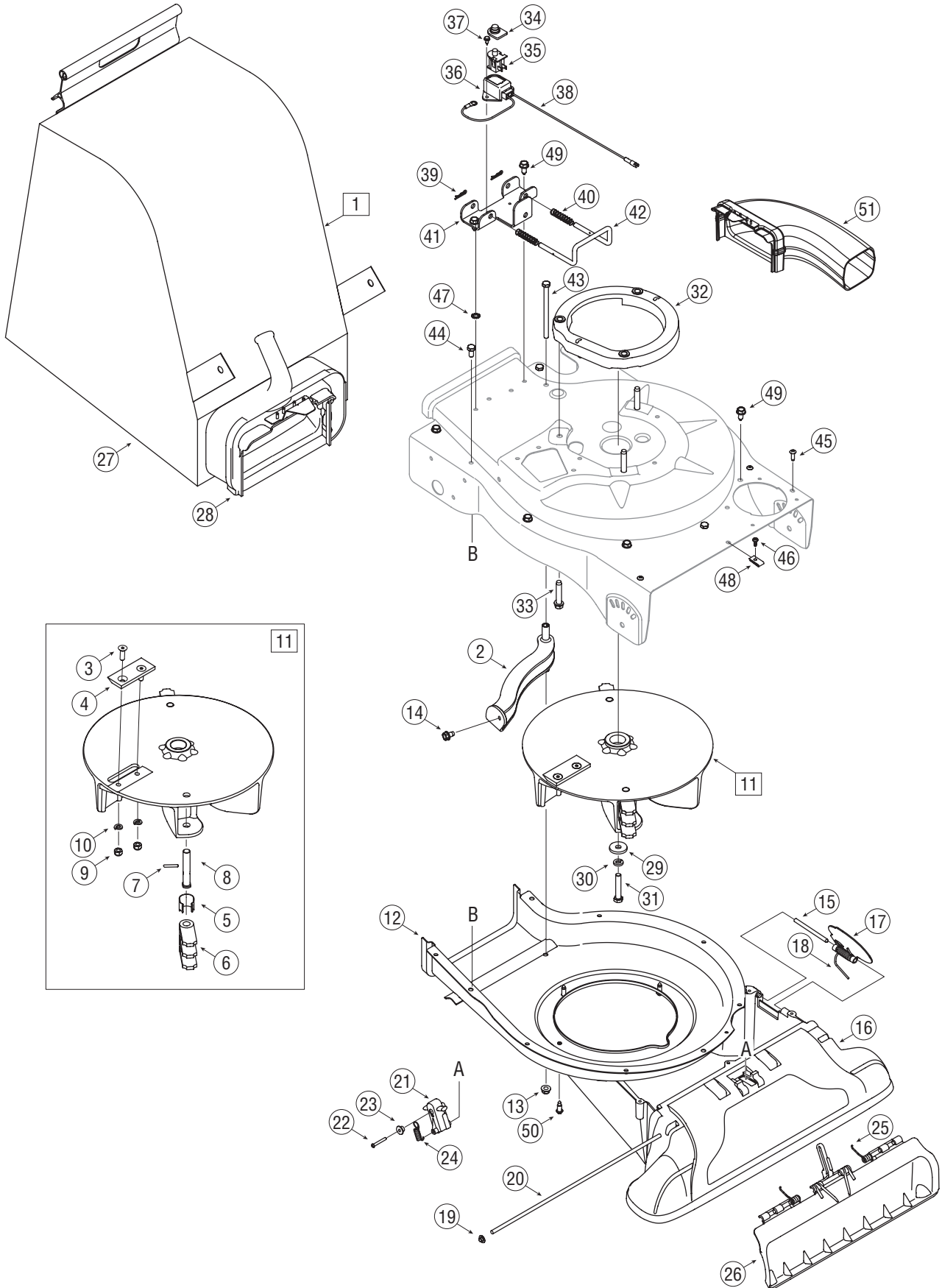
Craftsman 675 Series Yard Vacuum Model 247.77013.0

Ref. No.	Part No.	Description
1.	731-0981A	Hub Cap
2.	749-04163	Upper Handle
3.	720-0279	Knob
4.	710-1205	Eye Bolt
5.	781-1056	Upper Handle Bracket
6.	710-0726	Hex Cap Screw 5/16-12 x.750
7.	720-04072	Handle Knob 5/16-18
8.	710-1174	Carriage Bolt
9.	731-04911	Nozzle Handle Clip
10.	749-04165	Lower Handle
11.	711-1293	Studs
12.	710-0703	Carriage Screw 1/4-20 x.75
13.	712-0397	Wing Nut 1/4-20
14.	710-1611B	TT Screw, 5/16-18 x .750
15.	710-0599	Screw, 1/4-20 x .500
16.	712-0442	Cap Lock Nut, 1/4-20
17.	710-0751	Hex Cap Screw 1/4-20 x.620
18.	681-0195	Hose Base Adapter Assembly (Incl. Ref.# 19-21)
19.	716-0104	E Ring.500 Dia
20.	732-3035	Compression Spring
21.	711-1571	Clevis Pin
22.	736-3020	Flat Washer.271 ID x.630 OD
23.	781-04069	Upper Flail Housing
24.	746-04156	Drive Control Cable
25.	731-1820	Cable Guide
26.	681-0122	Chipper Chute Assembly
27.	746-04155	Speed Control Cable
28.	710-1122	Hex Screw, 1/4-20 x 2.50
29.	781-1058	Hose Hanger Bracket
30.	712-04064	Flange Lock Nut, 1/4-20
31.	748-0457	Spacer
32.	731-2478	Hose Nozzle
33.	710-3288	Hex Cap Screw 1/4-20 x 2.625
34.	723-0295	Adjustment Clamp
35.	749-1270	Nozzle Handle
36.	764-0648	Vacuum Hose
37.	07071	Handle Grip
38.	731-2292	Hose Adapter
39.	747-04305	Drive Control
40.	725-0157	Cable Tie
41.	618-04460	Transmission Assembly
42.	681-04027	Idler Assembly (Incl. Ref.# 74-80)

Ref. No.	Part No.	Description
43.	710-1650	Shoulder Screw, #12-24 x .30 x .46
44.	710-1220	Screw, #12-16 x .750
45.	711-04245	Impeller Hub
46.	715-0221	Dowel Pin
47.	781-04082	Front Wheel Support Brace
48.	781-04081	Rear Wheel Support Brace
49.	714-0104	Cotter Pin
50.	716-0104	E-Ring
51.	736-0258	Flat Washer, .385 x 1.00 x .135
52.	736-0232	Wave Washer.531 ID x.781 OD
53.	738-1015	Shoulder Screw 3/8-16
54.	734-2042	Wheel, 8 x 2.125
55.	716-0865	Snap Ring
56.	741-0751	Height Adjustment Bearing
57.	687-02094	Pivot Arm Assembly
58.	720-0426	Height Adjustment Knob
59.	732-1026	Spring Lever
60.	736-0741	Bell Washer.760 ID x.25 OD
61.	738-1172	Shoulder Screw,.750 x.500
62.	687-02051	Height Lever Assembly (Incl. Ref.# 58-59)
63.	734-2004A	Wheel 8 x 2
64.	710-1652	Screw, 1/4-20 x .625
65.	712-04065	Flange Lock Nut, 3/8-16
66.	731-04879	Belt Cover
67.	736-0314	Thrust Washer.375 ID x.70 OD
68.	731-2522	Wheel Cover
69.	732-04217	Extension Spring,.375 x 2.95
70.	736-0369	Flat Washer,.508ID x1.00OD x.020
71.	738-0930	Shoulder Screw,.560 x.165
72.	741-04108	Drive Axle Bushing
73.	781-04078	Transmission Mounting Bracket
74.	710-0597	Screw, 1/4-20 x 1.00
75.	712-04064	Flange Lock Nut, 1/4-20
76.	741-0124	Ball Bearing
77.	750-1050	Flange Spacer,.260 x.659 x.517
78.	754-0369	Belt, 3/8 x 32.5
79.	781-04077	Idler Bracket
80.	782-7598	Belt Keeper
81.	717-1762	Spur Gear - RH
—	717-1761	Spur Gear - LH (Not Shown)
82.	681-0156A	Handle Bracket Ass'y RH
—	681-0155A	Handle Brkt Ass'y LH (Not Shown)

PARTS LIST

Craftsman 675 Series Yard Vacuum Model 247.77013.0



PARTS LIST

Craftsman 675 Series Yard Vacuum Model 247.77013.0

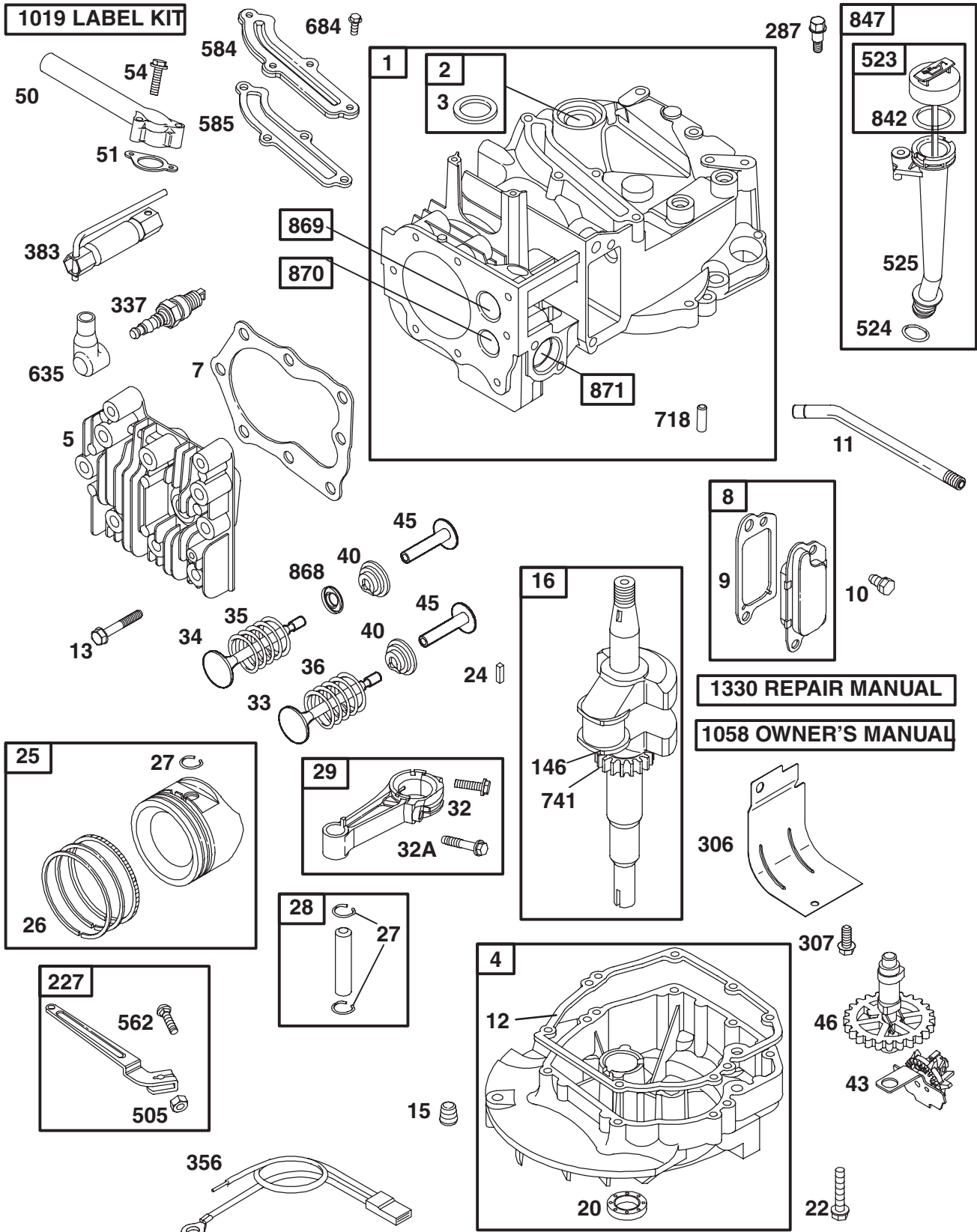
Ref. No.	Part No.	Description
1.	664-0094	Bag Assembly
2.	681-0154	Screen Assembly
3.	710-1054	Hex Screw 5/16-24 x 1.0
4.	781-0490	Chipper Blade
5.	781-0735	Pin Clip
6.	719-0329	Flail
7.	715-0166	Spiral Pin
8.	711-1401	Clevis Pin
9.	712-0411	Lock Nut, 5/16-24
10.	736-0119	Lock Washer, 5/16
11.	681-0152	Impeller Assembly
		(Incl. Ref.# 3 – 10)
12.	781-0721B	Lower Flail Housing
13.	712-04063	Flange Lock Nut 5/16-18
14.	710-0607	Screw, 5/16-18 x.500
15.	747-04297	Hinge Pin
16.	731-2293A	Nozzle
17.	781-1064	Base Adapter Door
18.	732-1156	Torsion Spring
19.	726-0106	Cap Speed Nut 1/4
20.	711-1551	Pivot Rod
21.	731-04967	Nozzle Door Lever
22.	710-1256	Hex Screw, #8-18 x 1.25
23.	750-1294	Shoulder Spacer
24.	732-3118	Extension Spring
25.	732-1151A	Nozzle Door Torsion Spring
26.	731-2294A	Nozzle Door

Ref. No.	Part No.	Description
27.	664-04039	Bag
28.	631-0083	Chute Assembly
29.	736-0247	Flat Washer.375 ID x 1.25 OD
30.	736-0217	Lock Washer 3/8
31.	710-1273	Hex Cap Screw, 3/8-24 x 2.75
32.	631-04118	Engine Spacer Assembly
33.	710-1008	Screw, 3/8-16 x 1.875
34.	725-1700	Switch Cover
35.	725-3166	Safety Switch
36.	731-1613	Safety Switch Cover
37.	710-0224	Hex Washer Screw #10-16 x.50
38.	629-0920A	Wire Harness
39.	714-0104	Cotter Pin
40.	732-0962	Compression Spring
41.	781-0778A	Mounting Bracket
42.	747-1153	Lock Rod
43.	710-3195	Hex Cap Screw 5/16-18 x 4.5
44.	710-3025	Hex Cap Screw 5/16-18 x.625
45.	710-1220	Screw, #12-16 x.750
46.	710-0351	Screw #10 - 16 x.500
47.	736-0607	External L-Washer 5/16
48.	726-0139	Speed Nut
49.	710-0726	Hex Index Screw, 5/16-12 x.750
50.	710-1650	Shoulder Screw, #12-24 x .30 x .46
51.	631-0090	Blower Chute
—	723-0400	Safety Glasses (Not Shown)

PARTS LIST

Craftsman 675 Series Engine Model No. 126T02

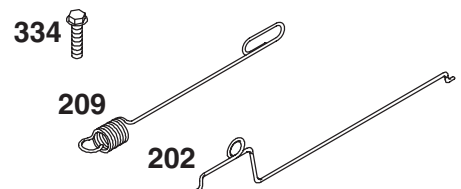
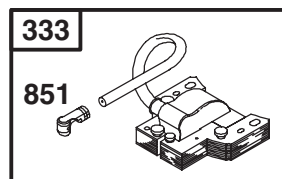
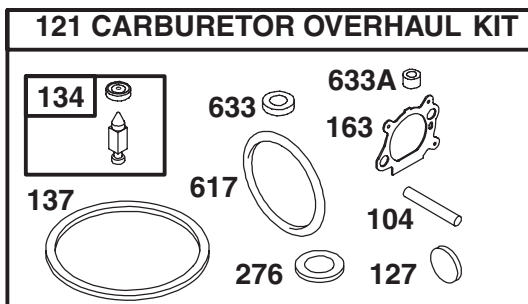
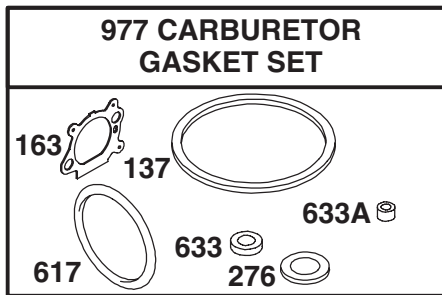
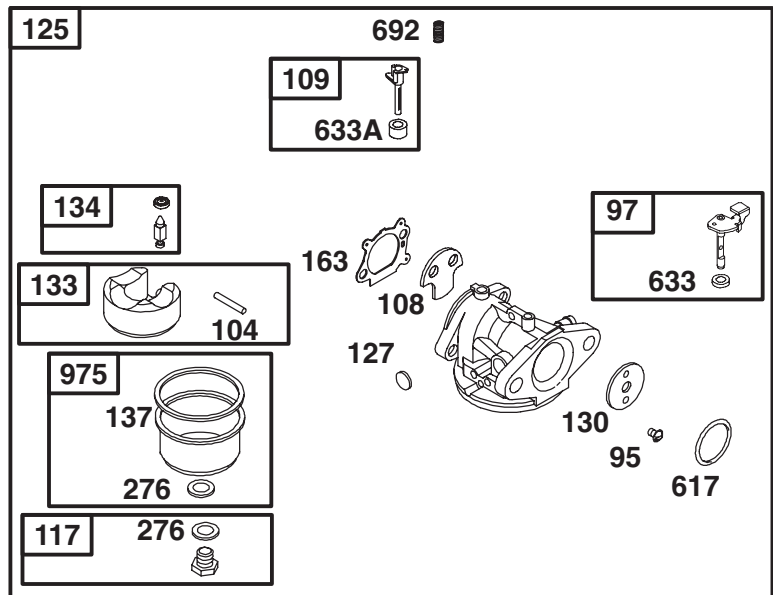
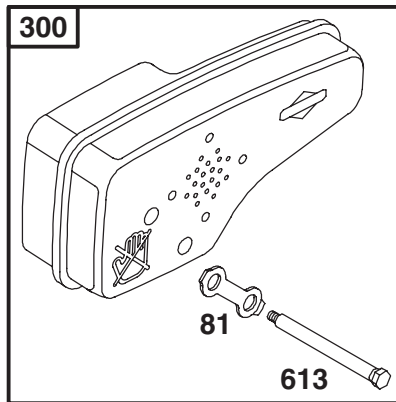
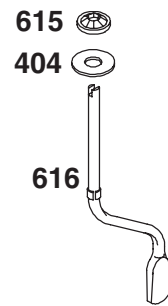
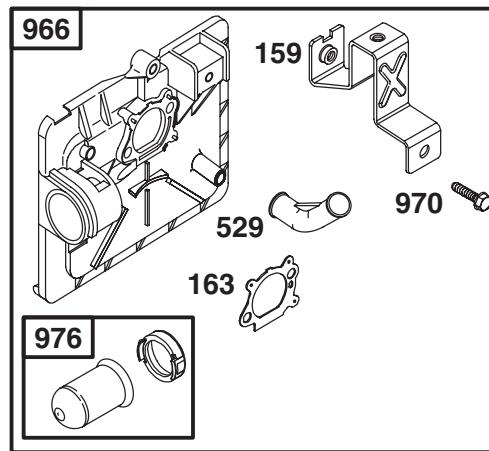
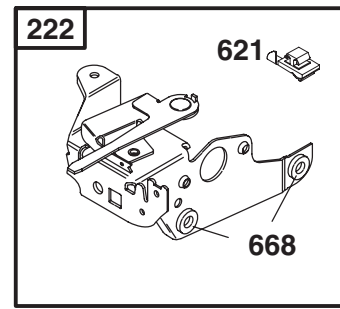
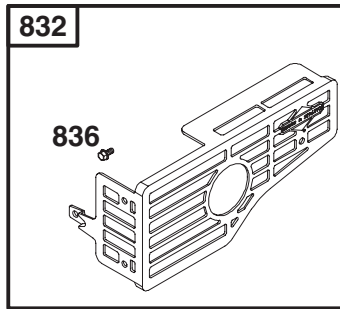
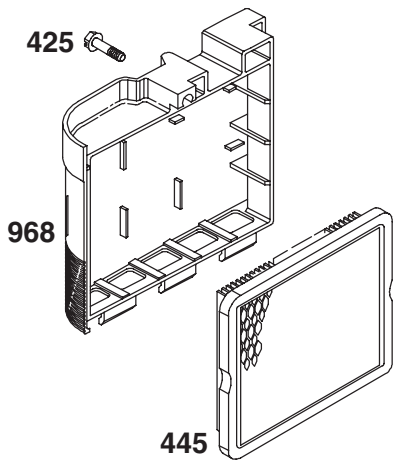
For Yard Vacuum Model 247.77013.0



PARTS LIST

Craftsman 675 Series Engine Model No. 126T02

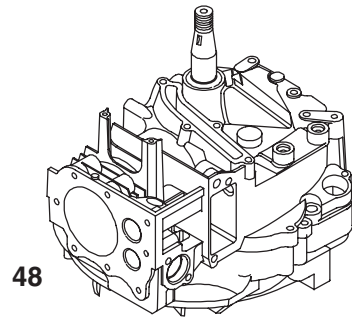
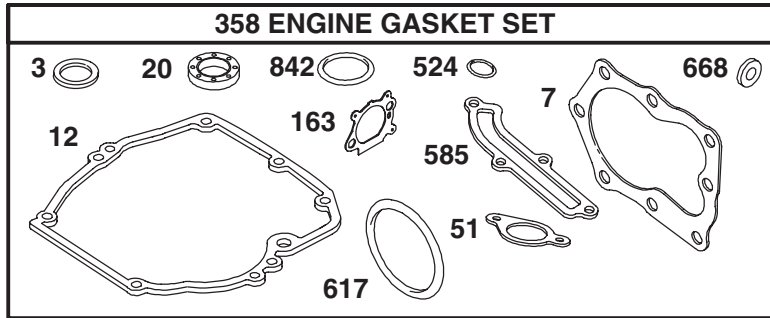
For Yard Vacuum Model 247.77013.0



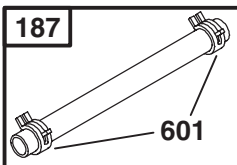
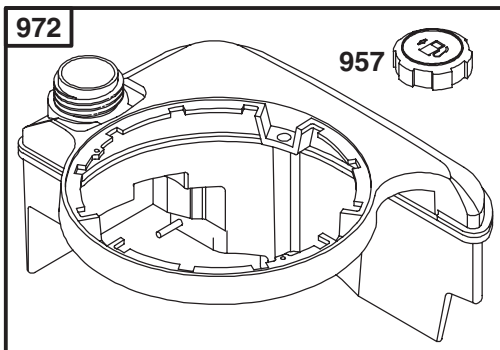
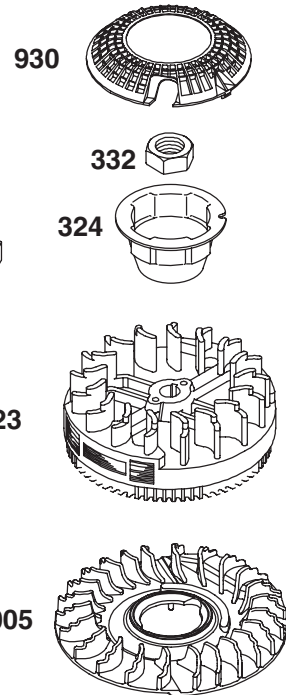
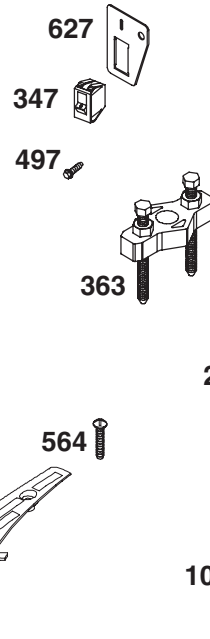
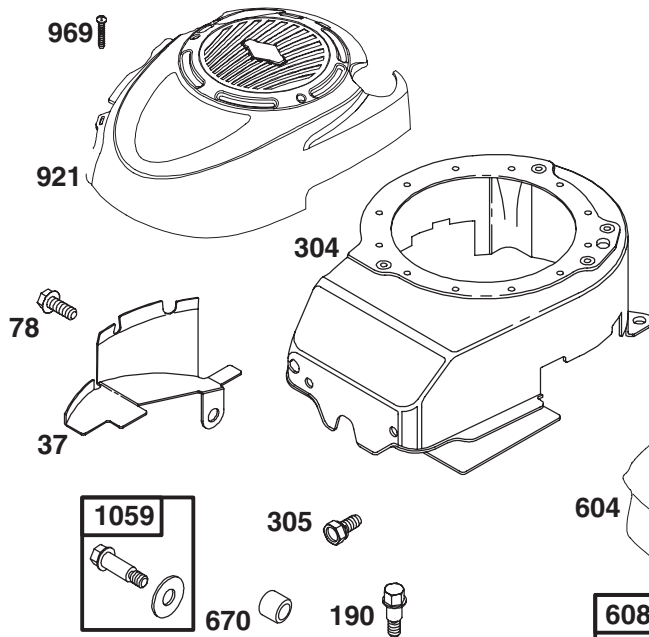
PARTS LIST

Craftsman 675 Series Engine Model No. 126T02

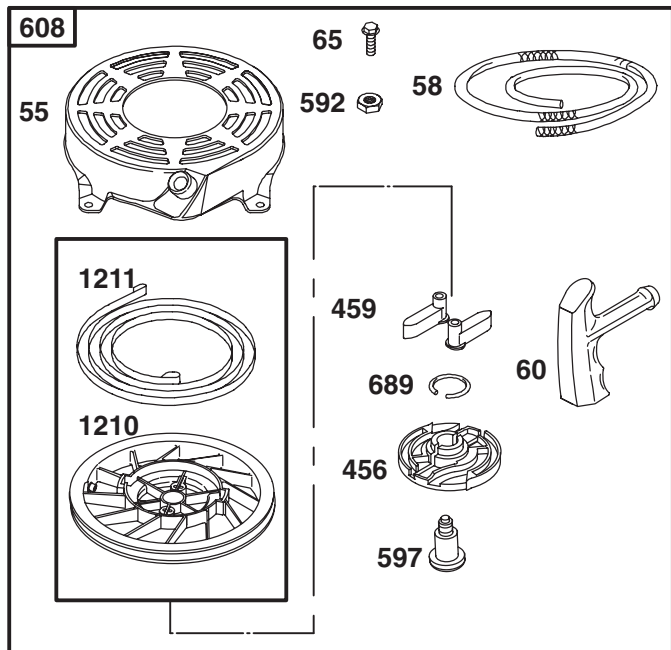
For Yard Vacuum Model 247.77013.0



1329 REPLACEMENT ENGINE



1036 EMISSIONS LABEL



PARTS LIST

Craftsman 675 Series Engine Model No. 126T02

For Yard Vacuum Model 247.77013.0

Ref. No.	Part No.	Description
1.	697322	Cylinder Assembly
2.	399269	Kit-Bushing/Seal
3.	299819†	Seal-Oil (Magneto Side)
4.	493279	Sump-Engine
5.	691160	Head-Cylinder
7.	692249†	Gasket-Cylinder Head
8.	695250	Breather Assembly
9.	699472	Gasket-Breather
10.	691125	Screw (Breather Assembly)
11.	691260	Tube-Breather
12.	692232†	Gasket-Crankcase
13.	690912	Screw (Cylinder Head)
15.	691680	Plug-Oil Drain
16.	694478	Crankshaft
20.	399781†	Seal-Oil (PTO Side)
22.	691092	Screw (Engine Sump)
23.	692315	Flywheel
24.	222698	Key-Flywheel
25.	697339	Piston Assembly (Standard)
	697341	Piston Assembly (.020" Oversize)
26.	499425	Ring Set-Piston (Standard)
	499427	Ring Set-Piston (.020" Oversize)
27.	691866	Lock-Piston Pin
28.	499423	Pin-Piston
29.	499424	Rod-Connecting
32.	691664	Screw (Connecting Rod)
32A.	695759	Screw (Connecting Rod)
33.	262651	Valve-Exhaust
34.	262652	Valve-Intake

Ref. No.	Part No.	Description
35.	691270	Spring-Valve (Intake)
36.	691270	Spring-Valve (Exhaust)
37.	694086	Guard-Flywheel
40.	692194	Retainer-Valve
43.	691997	Slinger-Governor/Oil
45.	690548	Tappet-Valve
46.	691449	Camshaft
48.	498828	Short Block
50.	497465	Manifold-Intake
51.	272199†	Gasket-Intake
54.	691650	Screw (Intake Manifold)
55.	691421	Housing-Rewind Starter
58.	697316	Rope-Starter (Cut to Required Length)
60.	281434	Grip-Starter Rope
65.	690837	Screw (Rewind Starter)
78.	691108	Screw (Flywheel Guard)
81.	691740	Lock-Muffler Screw
95.	691636	Screw (Throttle Valve)
97.	493267	Shaft-Throttle
104.	691242††	Pin-Float Hinge
108.	691182	Valve-Choke
109.	498593	Shaft-Choke
117.	498978	Jet-Main (Standard)
121.	498260	Kit-Carburetor Overhaul
125.	499059	Carburetor
127.	694468††	Plug-Welch
130.	691203	Valve-Throttle
133.	398187	Float-Carburetor
134.	398188††	Valve-Needle/Seat

PARTS LIST

Craftsman 675 Series Engine Model No. 126T02

For Yard Vacuum Model 247.77013.0

Ref. No.	Part No.	Description
137.	693981††*	Gasket-Float Bowl
146.	690979	Key-Timing
159.	691753	Bracket-Air Cleaner Primer
163.	272653†*††	Gasket-Air Cleaner
187.	691050	Line-Fuel (Cut to Required Length)
188.	693399	Screw (Control Bracket)
190.	690940	Screw (Fuel Tank)
202.	691829	Link-Mechanical Governor
209.	691291	Spring-Governor
222.	692150	Bracket-Control
227.	690783	Control Lever-Governor
276.	271716††*	Sealing Washer
287.	690940	Screw (Dipstick Tube)
300.	692038	Muffler
304.	493294	Housing-Blower
305.	691108	Screw (Blower Housing)
306.	690450	Shield-Cylinder
307.	690345	Screw (Cylinder Shield)
324.	695161	Cup/Screen Assembly
332.	690662	Nut (Flywheel)
333.	802574	Armature-Magneto
334.	691061	Screw (Armature Magneto)
337.	802592	Plug-Spark
347.	691396	Switch-Rocker
Ref. No.	Part No.	Description
356.	496381	Wire-Stop
358.	497316	Engine Gasket Set

Ref. No.	Part No.	Description
363.	19069	Flywheel Puller
365.	692524	Screw (Carburetor)
383.	89838	Wrench-Spark Plug
404.	690272	Washer (Governor Crank)
425.	690670	Screw (Air Cleaner Cover)
443.	692523	Screw (Air Cleaner Primer Base)
445.	491588	Filter-Air Cleaner Cartridge
456.	692299	Plate-Pawl Friction
459.	281505	Pawl-Ratchet
497.	690664	Screw (Stopswitch)
505.	691251	Nut (Governor Control Lever)
523.	495264	Dipstick
524.	692296†	Seal-Dipstick Tube
525.	495265	Tube-Dipstick
529.	691923	Grommet
562.	92613	Bolt (Governor Control Lever)
564.	698589	Screw (Control Cover)
584.	697734	Cover-Breather Passage
585.	691879†	Gasket-Breather Passage
592.	690800	Nut (Rewind Starter)
597.	691696	Screw (Pawl Friction Plate)
601.	95162	Clamp-Hose
604.	698588	Cover-Control
608.	497680	Starter-Rewind
613.	691340	Screw (Muffler)
615.	690340	Retainer-Governor Shaft
616.	698801	Crank-Governor

PARTS LIST

Craftsman 675 Series Engine Model No. 126T02

For Yard Vacuum Model 247.77013.0

Ref. No.	Part No.	Description
617.	270344†††	Seal-O Ring (Intake Manifold)
621.	692310	Switch-Stop
627.	692872	Bracket-Stopswitch
633.	691321†† *	Seal-Choke/Throttle Shaft
633A.	693867†† *	Seal-Choke/Throttle Shaft
635.	66538	Boot-Spark Plug
668.	493823	Spacer
670.	692294	Spacer-Fuel Tank
Ref. No.	Part No.	Description
684.	690345	Screw (Breather Passage Cover)
689.	691855	Spring-Friction
692.	690579	Spring-Detent
718.	690959	Pin-Locating
741.	790345	Gear-Timing
832.	499034	Guard-Muffler
836.	690664	Screw (Muffler Guard)
842.	691031†	Seal-O Ring (Dipstick Tube)
843.	691884	Sleeve-Lever
847.	692017	Assembly-Dipstick/Tube
851.	493880	Terminal-Spark Plug
868.	697338	Seal-Valve
869.	691155	Seat-Valve (Intake)
870.	690380	Seat-Valve (Exhaust)

Ref. No.	Part No.	Description
871.	262001	Bushing-Guide (Exhaust)
	63709	Bushing-Guide (Intake)
921.	698587	Cover-Blower Housing
930.	691919	Guard-Rewind
957.	397974	Cap-Fuel Tank
966.	496116	Base-Air Cleaner Primer
968.	692298	Cover-Air Cleaner
969.	690700	Screw (Blower Housing Cover)
970.	691669	Screw (Air Cleaner Primer Bracket)
972.	699374	Tank-Fuel
975.	493640	Bowl-Float
976.	694395	Primer-Carburetor
977.	498261	Set-Carburetor Gasket
1005.	691346	Fan-Flywheel
1019.	494256	Kit-Label
1036.	697457	Label-Emission
1058.	MS 5244	Owner's Manual
1059.	692311	Kit-Screw/Washer
1210.	498144	Assembly-Pulley/Spring (Pulley)
1211.	498144	Assembly-Pulley/Spring (Spring)
1329.	123K02-	Replacement Engine
	0240-E1	
1330.	272147	Repair Manual

†Included in Engine Gasket Set, Key. No. 358

††Included in Carburetor Overhaul Kit, Key. No. 121

*Included in Carburetor Gasket Set, Key. No. 977

(This page applicable in the U.S.A. and Canada only.)

**Sears, Roebuck and Co., U.S.A. (Sears), the California Air Resources Board (CARB)
and the United States Environmental Protection Agency (U.S. EPA)
Emission Control System Warranty Statement (Owner's Defect Warranty Rights and Obligations)**

EMISSION CONTROL WARRANTY COVERAGE IS APPLICABLE TO CERTIFIED ENGINES PURCHASED IN CALIFORNIA IN 1995 AND THEREAFTER, WHICH ARE USED IN CALIFORNIA, AND TO CERTIFIED MODEL

YEAR 1997 AND LATER ENGINES WHICH ARE PURCHASED AND USED ELSEWHERE IN THE UNITED STATES (AND AFTER JANUARY 1, 2001 IN CANADA).

California and United States Emission Control Defects Warranty Statement

The California Air Resources Board (CARB), U.S. EPA and Sears are pleased to explain the Emission Control System Warranty on your model year 2000 and later small off-road engine (SORE). In California, new small off-road engines must be designed, built and equipped to meet the State's stringent anti-smog standards. Elsewhere in the United States, new non-road, spark-ignition engines certified for model year 1997 and later must meet similar standards set forth by the U.S. EPA. Sears must warrant the emission control system on your

engine for the periods of time listed below, provided there has been no abuse, neglect or improper maintenance of your small off-road engine. Your emission control system includes parts such as the carburetor, air cleaner, ignition system, muffler and catalytic converter. Also included may be connectors and other emission related assemblies. Where a warrantable condition exists, Sears will repair your small off-road engine at no cost to you including diagnosis, parts and labor.

Sears Emission Control Defects Warranty Coverage

Small off-road engines are warranted relative to emission control parts defects for a period of one year, subject to provisions set forth below. If any covered

part on your engine is defective, the part will be repaired or replaced by Sears.

Owner's Warranty Responsibilities

As the small off-road engine owner, you are responsible for the performance of the required maintenance listed in your Operating and Maintenance Instructions. Sears recommends that you retain all your receipts covering maintenance on your small off-road engine, but Sears cannot deny warranty solely for the lack of receipts or for your failure to ensure the performance of all scheduled maintenance. As the small off-road engine owner, you should however be aware that Sears may deny you warranty coverage if your small off-road engine or a part has failed due to abuse, neglect, improper maintenance or unap-

proved modifications. You are responsible for presenting your small off-road engine to an Authorized Sears Service Dealer as soon as a problem exists. The undisputed warranty repairs should be completed in a reasonable amount of time, not to exceed 30 days. If you have any questions regarding your warranty rights and responsibilities, you should contact a Sears Service Representative at 1-800-469-4663. The emission warranty is a defects warranty. Defects are judged on normal engine performance. The warranty is not related to an in-use emission test.

Sears Emission Control Defects Warranty Provisions

The following are specific provisions relative to your Emission Control Defects Warranty Coverage. It is in addition to the Sears engine warranty for non-regulated engines found in the Operating and Maintenance Instructions.

1. Warranted Parts

Coverage under this warranty extends only to the parts listed below (the emission control systems parts) to the extent these parts were present on the engine purchased.

- a. Fuel Metering System
 - Cold start enrichment system
 - Carburetor and internal parts
 - Fuel Pump
- b. Air Induction System
 - Air cleaner
 - Intake manifold
- c. Ignition System
 - Spark plug(s)
 - Magneto ignition system
- d. Catalyst System
 - Catalytic converter
 - Exhaust manifold
 - Air injection system or pulse valve
- e. Miscellaneous Items Used in Above Systems
 - Vacuum, temperature, position, time sensitive valves and switches
 - Connectors and assemblies

2. Length of Coverage

Sears warrants to the initial owner and each subsequent purchaser that the Warranted Parts shall be free from defects in materials and workmanship which caused the failure of the Warranted Parts for a period of one year from the date the engine is delivered to a retail purchaser.

3. No Charge

Repair or replacement of any Warranted Part will be performed at no charge to the owner, including diagnostic labor which leads to the determination that a Warranted Part is defective, if the diagnostic work is performed at an Authorized Sears Service Dealer. For emissions warranty service contact your nearest Authorized Sears Service Dealer as listed in the "Yellow Pages" under "Engines, Gasoline," "Gasoline Engines," "Lawn Mowers," or similar category.

4. Claims and Coverage Exclusions

Warranty claims shall be filed in accordance with the provisions of the Sears Engine Warranty Policy. Warranty coverage shall be excluded for failures of Warranted Parts which are not original Sears parts or because of abuse, neglect or improper maintenance as set forth in the Sears Engine Warranty Policy. Sears is not liable to cover failures of Warranted Parts caused by the use of add-on, non-original, or modified parts.

5. Maintenance

Any Warranted Part which is not scheduled for replacement as required maintenance or which is scheduled only for regular inspection to the effect of "repair or replace as necessary" shall be warranted as to defects for the warranty period. Any Warranted Part which is scheduled for replacement as required maintenance shall be warranted as to defects only for the period of time up to the first scheduled replacement for that part. Any replacement part that is equivalent in performance and durability may be used in the performance of any maintenance or repairs. The owner is responsible for the performance of all required maintenance, as defined in the Sears Operating and Maintenance Instructions.

6. Consequential Coverage

Coverage hereunder shall extend to the failure of any engine components caused by the failure of any Warranted Part still under warranty.

In the USA and Canada, a 24 hour hot line, **1-800-469-4663**, has a menu of pre-recorded messages offering you engine maintenance information.

Look For Relevant Emissions Durability Period and Air Index Information On Your Engine Emissions Label

Engines that are certified to meet the California Air Resources Board (CARB) Tier 2 Emission Standards must display information regarding the Emissions Durability Period and the Air Index. Sears, Roebuck and Co., U.S.A. makes this information available to the consumer on our emission labels.

The Emissions Durability Period describes the number of hours of actual running time for which the engine is certified to be emissions compliant, assuming proper maintenance in accordance with the Operating & Maintenance Instructions. The following categories are used:

Moderate: Engine is certified to be emission compliant for 125 hours of actual engine running time.

Intermediate: Engine is certified to be emission compliant for 250 hours of actual engine running time.

Extended: Engine is certified to be emission compliant for 500 hours of actual engine running time.

For example, a typical walk-behind lawn mower is used 20 to 25 hours per year. Therefore, the **Emissions Durability Period** of an engine with an **intermediate** rating would equate to 10 to 12 years.

The **Air Index** is a calculated number describing the relative level of emissions for a specific engine family. The lower the **Air Index**, the cleaner the engine. This information is displayed in graphical form on the emissions label.

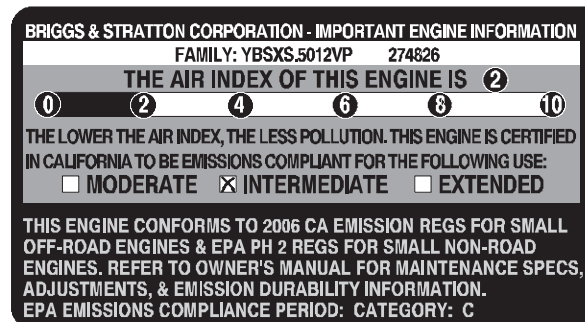
After July 1, 2000, Look For Emissions Compliance Period On Engine Emissions Compliance Label

After July 1, 2000 certain Sears, Roebuck and Co., U.S.A. engines will be certified to meet the United States Environmental Protection Agency (USEPA) Phase 2 emission standards. For Phase 2 certified engines, the Emissions Compliance Period referred to on the Emissions Compliance label indicates the number of operating hours for which the engine has been shown to meet Federal emission requirements.

For engines less than 225 cc displacement, Category C = 125 hours, B = 250 hours and A = 500 hours.

For engines of 225 cc or more, Category C = 250 hours, B = 500 hours and A = 1000 hours.

This is a generic representation of the emission label typically found on a certified engine.



ÍNDICE

Declaración de garantía	Página 36	Servicio y Mantenimiento	Páginas 48-53
Acuerdo de Protección Para		Almacenamiento fuera de temporada....	Página 54
Reparaciones.....	Página 37	Solución de problemas	Página 55-56
Prácticas operación seguras.....	Páginas 38-39	Etiquetas de seguridad.....	Página 7
Montaje	Páginas 40-43	Lista de piezas.....	Página 24
Operación	Páginas 44-47	Número de servicio	Cubierta posterior

GARANTÍA

Garantía completa de un año para la aspiradora para patios Craftsman

Este equipo está cubierto por una garantía de un año, siempre que se mantenga, lubrique y ajuste de acuerdo con las instrucciones del presente manual del operador. Durante el año de garantía, si este equipo sufre cualquier falla producida por defectos en materiales o mano de obra, DEVUÉLVALO A SU CENTRO DE PARTES & REPARACIÓN SEARS MÁS CERCANO, y Sears lo reparará sin ningún cargo. El servicio de garantía a domicilio está disponible pero se aplicará un cargo de traslado.

Esta garantía no cubre:

- Artículos de duración limitada que sufren desgaste bajo condiciones normales de uso, tales como bujías de encendido, purificadores de aire, correas y filtros de aceite.
- Reemplazo o reparaciones de llantas causadas por pinchaduras con objetos exteriores como, por ejemplo, clavos, espinas, palos o vidrios, etc.
- Reparaciones necesarias debido a abuso del operador, incluyendo, pero sin limitarse a ellos, los daños causados por objetos, tales como piedras, desechos de metal o trozos de madera de un tamaño demasiado grande, objetos que hacen impacto que pueden doblar la estructura o el cárter, o sobreacelerar el motor.
- Reparaciones necesarias debido a negligencia del operador, incluyendo entre otros, daños mecánico y eléctrico ocasionado por un almacenamiento no apropiado, falla por el uso de aceite de grado y/o cantidad no apropiada o falla por no dar mantenimiento al equipo de acuerdo con las instrucciones contenidas en el manual del operador.
- Limpieza o reparaciones al motor (sistema de combustible) provocadas por un combustible contaminado u oxidado (viejo). En general, el combustible debe utilizarse en un período no mayor de 30 días a partir de su adquisición.
- Equipos utilizados para fines comerciales o de alquiler.

Esta garantía sólo tendrá validez durante 90 días si este producto se utiliza en cualquier momento para fines comerciales o de alquiler.

Esta garantía sólo tendrá validez mientras el producto se utilice en los Estados Unidos.

Esta garantía le otorga derechos legales específicos, pero usted podría gozar de otros derechos en razón de su lugar de residencia.

Sears, Roebuck and Co., Hoffman Estates, IL 60179

ESPECIFICACIONES DEL PRODUCTO

Serie:	675
Tipo de aceite del motor:	SAE 30
Capacidad de aceite del motor:	18 onzas
Capacidad de combustible:	1 1/2 2 cuartos
Bujías:	Champion® RJ19LM
Separación de las bujías:	.020"

NÚMERO DE MODELO

Número de modelo

Número de serie

Fecha de compra

Registre arriba el número del modelo, el número de serie y la fecha de compra

ACUERDO DE PROTECCIÓN PARA REPARACIONES

Felicitaciones por haber realizado una adquisición inteligente. El producto Craftsman® que ha adquirido está diseñado y fabricado para brindar muchos años de funcionamiento confiable. Pero como todos los productos a veces puede requerir de reparaciones. Es en ese momento cuando el disponer de un Acuerdo de protección para reparaciones le puede ahorrar dinero y problemas.

A continuación se detallan los puntos incluidos en el Acuerdo:

- **Servicio experto** prestado por nuestros 12,000 especialistas en reparaciones profesionales
- **Servicio ilimitado sin cargo** para las piezas y la mano de obra en todas las reparaciones cubiertas
- **Reemplazo del producto** si no es posible reparar el producto cubierto
- **Descuento de 10%** del precio normal del servicio y de las piezas relacionadas con el mismo que no estén cubiertas por el acuerdo; además, 10% del precio normal de la verificación de mantenimiento preventivo
- **Ayuda rápida por teléfono** - asistencia telefónica a cargo de un

técnico de Sears para los productos que requieren reparación a domicilio, además de una programación conveniente para la reparación

Una vez adquirido el Acuerdo, puede programar el servicio con tan sólo realizar una llamada telefónica. Puede llamar en cualquier momento del día o de la noche o programar un servicio en línea. Sears dispone de más de 12.000 especialistas en reparaciones profesionales que tienen acceso a más de 4.5 millones de piezas y accesorios de buena calidad. Este es el tipo de profesionalismo en el que puede confiar para que le ayude a prolongar la vida útil del producto recientemente adquirido en los años por venir. ¡Adquiera hoy su acuerdo de protección para reparaciones!

Se aplican determinadas limitaciones y exclusiones. Para obtener información adicional y precios llame al 1-800-827-6655.

Servicio de instalación de Sears

Si desea solicitar la instalación profesional de Sears de aparatos domésticos, dispositivos para abrir portones, calentadores de agua y otros artículos domésticos importantes, en los Estados Unidos llame al **1-800-4-MY-HOME®**.

INSTRUCCIONES DE SEGURIDAD

⚠️ ADVERTENCIA



La presencia de este símbolo indica que se trata de instrucciones importantes de seguridad que se deben respetar para evitar poner en peligro su seguridad personal y/o material y la de otras personas. Lea y siga todas las instrucciones de este manual antes de poner en funcionamiento esta máquina. Si no respeta estas instrucciones podría provocar lesiones personales. Cuando vea este símbolo, ¡preste atención a la advertencia!

Su responsabilidad: Restrinja el uso de esta máquina motorizada a las personas que lean, comprendan y respeten las advertencias e instrucciones que aparecen en este manual y en la máquina.

⚠️ PELIGRO

Esta máquina fue construida para ser operada de acuerdo con las reglas de seguridad contenidas en este manual. Al igual que con cualquier tipo de equipo motorizado, un descuido o error por parte del operador puede producir lesiones graves. Esta máquina es capaz de amputar manos y pies y de arrojar objetos con gran fuerza. De no respetar las instrucciones de seguridad siguientes se pueden producir lesiones graves o la muerte.

⚠️ ADVERTENCIA

El escape del motor de este producto, algunos de sus componentes y algunos componentes del vehículo contienen o liberan sustancias químicas que el estado de California considera que pueden producir cáncer, defectos de nacimiento u otros problemas reproductivos.

CAPACITACIÓN

- Lea, entienda y cumpla todas las instrucciones incluidas en la máquina y en los manuales antes de montarla y utilizarla. Guarde este manual en un lugar seguro para consultas futuras y regulares, así como para solicitar repuestos.
- Familiarícese con todos los controles y su operación adecuada. Sepa cómo detener la máquina y cómo desenganran los controles rápidamente.
- No permita nunca que los niños menores de 16 años utilicen esta máquina. Los niños de 16 años y más mayores deben leer y comprender las instrucciones de operación y las reglas de seguridad contenidas en este manual, y también deben ser capacitados y estar supervisados por uno de los padres.
- Nunca permita que los adultos operen esta máquina sin recibir antes la instrucción apropiada.
- Mantenga a los transeúntes, ayudantes, mascotas y niños al menos a 75 pies de la máquina mientras está operando. Detenga la máquina si alguien entra en la zona.
- Nunca encienda un motor en espacios cerrados o en una zona con poca ventilación. El escape del motor contiene monóxido de carbono, un gas inodoro y letal.
- No ponga las manos o los pies cerca de las piezas rotatorias o en las cámaras de alimentación ni en la abertura de descarga. El contacto con el motor rotatorio puede producir la amputación de dedos, manos o pies.
- Nunca trate de destapar la toma de alimentación o la abertura de descarga, ni trate de sacar o vaciar la bolsa de la aspiradora, ni de revisar y reparar la máquina mientras el motor está en marcha. Apague el motor y espere hasta que todas las piezas móviles se hayan detenido por completo. Desconecte el cable de la bujía y póngalo de manera que haga masa contra el motor.

PREPARATIVOS

- Inspeccione minuciosamente el área donde utilizará el equipo. Retire todas las piedras, botellas, latas u otros objetos extraños que puedan ser levantados o arrojados causando lesiones personales o daños a la máquina.
- Para protegerse los ojos utilice siempre anteojos o antiparras de seguridad mientras opera la máquina o mientras la ajusta o repara. Los objetos arrojados que rebotan pueden lesionar gravemente la vista.
- Utilice zapatos de trabajo resistentes, de suela fuerte, así como pantalones y camisas ajustados. Las prendas sueltas o las alhajas pueden quedar atrapadas en las piezas móviles. Nunca utilice la máquina descalzo o con sandalias. Utilice guantes de trabajo de cuero cuando alimente material por el canal de la cortadora.
- Antes de encender la máquina controle que todos los pernos y tornillos estén bien ajustados para comprobar que la máquina se encuentra en condiciones seguras de operación. Además, realice una inspección visual de la máquina a intervalos frecuentes para controlar si la misma está dañada.
- Mantenga o reemplace las etiquetas de seguridad e instrucciones según sea necesario.
- Para evitar lesiones personales o daños materiales sea sumamente cuidadoso al manipular la gasolina. La gasolina es altamente inflamable y sus vapores pueden causar explosiones. Se puede lesionar gravemente si derrama gasolina sobre usted o sobre la ropa ya que se puede encender. Lávese la piel y cámbiese de ropa de inmediato.
- Utilice sólo recipientes para gasolina autorizados.
- Apague todos los cigarrillos, cigarros, pipas y otras fuentes de combustión.
- Nunca cargue combustible en la máquina en un espacio cerrado.
- Nunca saque la tapa del gas ni agregue combustible mientras el motor está caliente o en marcha.
- Deje que el motor se enfríe por lo menos dos minutos antes de volver a cargar combustible.
- Nunca recargue el tanque de combustible. Llène el tanque no más de 1/2 pulgada por debajo de la base del cuello del filtro para dejar espacio para la dilatación del combustible.
- Vuelva a colocar la tapa de la gasolina y ajústela bien.
- Limpie la gasolina derramada sobre el motor y el equipo. Traslade la máquina a otra zona. Espere 5 minutos antes de encender el motor.
- Nunca almacene la máquina o el recipiente de combustible en un espacio cerrado donde haya fuego, chispas o luz piloto (por ejemplo, hornos, calentadores de agua, calefactores, secadores de ropa, etc.)
- Para reducir el riesgo de incendio mantenga la máquina limpia de pasto, hojas y de acumulación de otros desechos. Limpie los derrames de aceite o combustible y saque todos los desechos embebidos con combustible.
- Deje que la máquina se enfríe por lo menos 5 minutos antes de guardarla.

INSTRUCCIONES DE SEGURIDAD

OPERACIÓN

- No ponga las manos o los pies cerca de las piezas rotatorias o en las cámaras de alimentación ni en la abertura de descarga. El contacto con el motor rotatorio puede producir la amputación de dedos, manos o pies.
- Antes de encender la máquina compruebe que el canal de la cortadora, la toma de alimentación y la cámara de corte están vacías y sin desechos.
- Inspeccione minuciosamente todo el material que desea triturar y saque los objetos metálicos, piedras, botellas, latas u otros objetos extraños que pueden ocasionar lesiones o dañar la máquina.
- Si el motor golpea un objeto extraño o si la máquina empieza a producir un sonido poco común o una vibración, apague el motor de inmediato. Deje que el motor se detenga por completo. Desconecte el cable de la bujía, póngalo de manera que haga masa contra el motor y siga estos pasos:
 1. Inspeccione la máquina para ver si está dañada.
 2. Repare o reemplace las piezas dañadas.
 3. Controle si hay piezas flojas y ajústelas para asegurar que la máquina funcione de manera segura y continua.
- No permita que se acumule material procesado en la zona de descarga. El mismo puede obstaculizar la descarga adecuada y provocar el retorno del material a través de la abertura de alimentación.
- No intente triturar ni picar material de mayor tamaño al especificado en la máquina o en este manual. Se podrían producir lesiones o daños.
- Nunca trate de destapar la toma de alimentación o la abertura de descarga mientras el motor está en marcha. Apague el motor y espere hasta que todas las piezas que se mueven se hayan detenido por completo, desconecte el cable de la bujía y póngalo de manera que haga masa contra el motor antes de sacar los escombros.
- Nunca opere la máquina sin que la bolsa de la aspiradora y el canal de descarga estén conectados a la máquina como corresponde. Nunca vacíe ni cambie la bolsa de la aspiradora mientras el motor está en marcha. El extremo con cierre de la bolsa de la aspiradora debe quedar cerrado todo el tiempo mientras la opera.
- Nunca opere la máquina si el pico de ingreso o la unión opcional para la manguera no están conectados a la máquina adecuadamente. Nunca intente conectar o cambiar ninguna de estas uniones mientras el motor está en marcha.
- Mantenga todos los protectores, desviadores y dispositivos de seguridad en su lugar y en buenas condiciones.
- Mientras alimenta material dentro de la máquina mantenga su rostro y su cuerpo detrás y hacia un costado del canal de la cortadora para evitar lesiones por retrocesos accidentales.
- Nunca opere esta máquina sin buena visibilidad o iluminación. Siempre debe estar seguro de que está bien afirmado y sostenga bien las manijas.
- No opere esta máquina en superficies con grava.
- No opere esta máquina estando bajo los efectos del alcohol o de drogas.
- El silenciador y el motor se calientan y pueden producir quemaduras. No los toque.
- Nunca levante o transporte la máquina cuando el motor está encendido.

MANTENIMIENTO Y ALMACENAMIENTO

- Nunca manipule los dispositivos de seguridad de manera imprudente. Controle periódicamente que funcionen de forma adecuada.
- Controle frecuentemente que todos los pernos y tornillos estén bien ajustados para comprobar que la máquina se encuentra en condiciones seguras de funcionamiento. Además, realice una inspección visual de la máquina para controlar si la misma está dañada y repárela de ser necesario.
- Antes de limpiar, reparar o inspeccionar la máquina, detenga el motor y compruebe que el mismo y que todas las piezas móviles se hallan detenidos. Desconecte el cable de la bujía y póngalo de manera que haga masa contra el motor para evitar que se encienda de manera accidental.
- No cambie la configuración del regulador del motor ni acelere demasiado el mismo. El regulador controla la velocidad máxima segura de operación del motor.
- Mantenga o reemplace las etiquetas de seguridad e instrucciones según sea necesario.
- Siga las instrucciones de este manual para cargar, descargar, transportar y almacenar de manera segura esta máquina.
- Nunca almacene la máquina o el recipiente de combustible en un espacio cerrado donde haya fuego, chispas o luz piloto como por ejemplo, calentadores de agua, hornos, secadores de ropa, etc.
- Consulte siempre el manual del operador para conocer las instrucciones adecuadas para el almacenamiento fuera de temporada.
- Si debe vaciar el tanque de combustible, hágalo al aire libre.
- Respete las normas referentes a la disposición correcta y las regulaciones sobre gas, combustible, etc. para proteger el medio ambiente.

No modifique el motor

Para evitar lesiones graves o la muerte, no modifique el motor bajo ninguna circunstancia. Si cambia la configuración del regulador el motor puede desconectarse y operar a velocidades inseguras. Nunca cambie la configuración de fábrica del regulador del motor.

MONTAJE

IMPORTANTE: Esta unidad se envía sin gasolina ni aceite en el motor. Antes de operar la máquina cargue el motor con gasolina y aceite como se indica en el manual separado del mismo.

NOTA: Las referencias a los lados derecho e izquierdo de la aspiradora para patios se hacen observando la máquina desde la posición de operación.

APERTURA DE LA CAJA DE CARTÓN

1. Corte cada una de las esquinas de la caja verticalmente, de la parte superior a la base.
2. Saque todas las piezas sueltas.
3. Quite el material de empaque suelto.

CÓMO SACAR LA UNIDAD DE LA CAJA

1. Eleve la unidad desde la parte posterior para separarla del material de la caja que quede debajo, y haga rodar la unidad fuera de la caja.
2. Verifique cuidadosamente si en la caja queda alguna parte suelta.

NOTA: Asegúrese de no doblar los cables mientras extrae de la caja las partes sueltas o toda la unidad.

PIEZAS SUeltas DENTRO DE LA CAJA

(Vea la figura 1)

- Manija superior e inferior
- Montaje de la manguera
- Bolsa
- Canal de soplado
- Anteojos de seguridad
- Aceite para motor (puede estar en el interior de la bolsa)
- Manual del operador

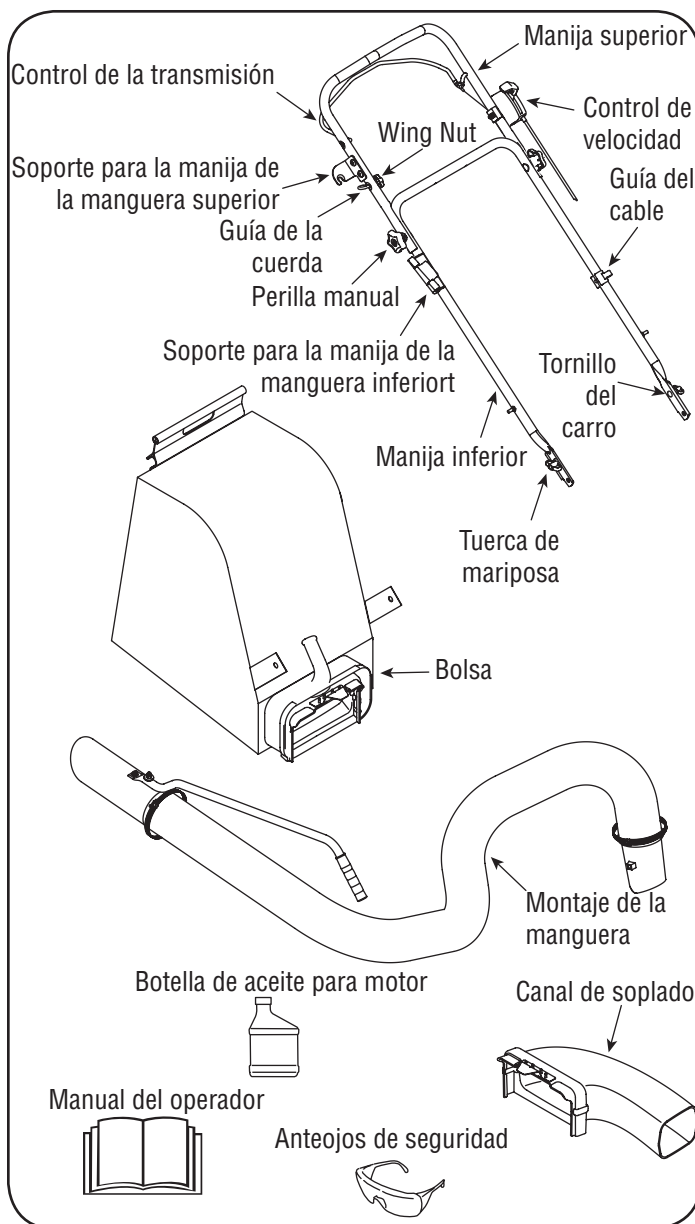


Figura 1

MONTAJE

MONTAJE DE LA MANIJA

1. Saque los broches de horquilla de los soportes de la manija, y saque los tornillos del carro y las tuercas de mariposa de la manija inferior.
 - a. Sitúe los agujeros inferiores de la manija inferior sobre los pernos de los soportes de la manija, y asegúrelos con broches de horquilla. Vea la figura 2.
 - b. Inserte los tornillos del carro desde el lado de afuera a través del agujero superior de la manija inferior y asegúrelos con tuercas de mariposa. Vea la figura 2.
2.
 - a. Despliegue la manija superior hasta que quede alineada con la manija inferior. Asegúrese que la guía de la cuerda esté situada a la derecha de la manija superior. Vea la figura 3.

IMPORTANTE: Asegúrese de enrutar los cables fuera de la manija inferior. Asimismo, no preñe los cables mientras levanta las manijas.

- b. Para sujetar las dos manijas ajuste las perillas de la manija (los pernos del carro deben estar colocados de forma adecuada en la manija). Vea la figura 3.
3. Tire de las dos uniones del cable unidas a los cables, ajuste aproximadamente 8 pulgadas de cada extremo de cable, y ubique los cables en su guía.
 4. Afloje la tuerca de mariposa que sostiene la guía de la cuerda contra el lado derecho de la manija superior.
 - a. Tire lentamente de la cuerda de arranque para sacarla del motor. Vea la figura 4.
 - b. Deslice la cuerda de arranque en la guía. Ajuste la tuerca de mariposa. Vea la figura 4.

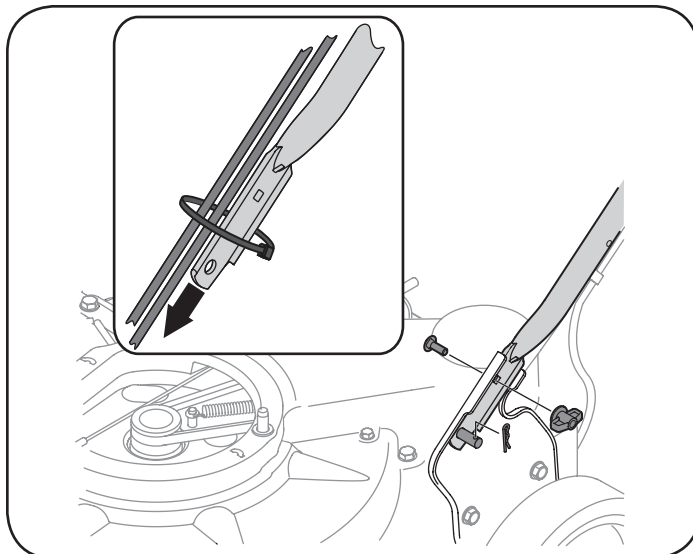


Figura 2

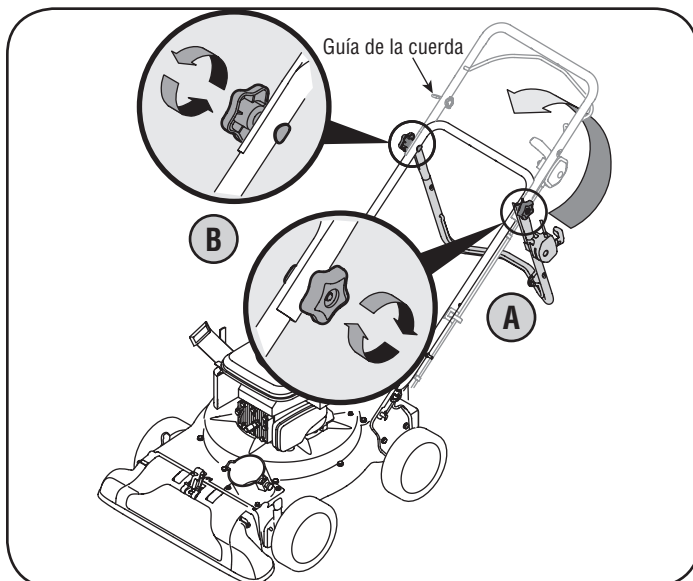


Figura 3

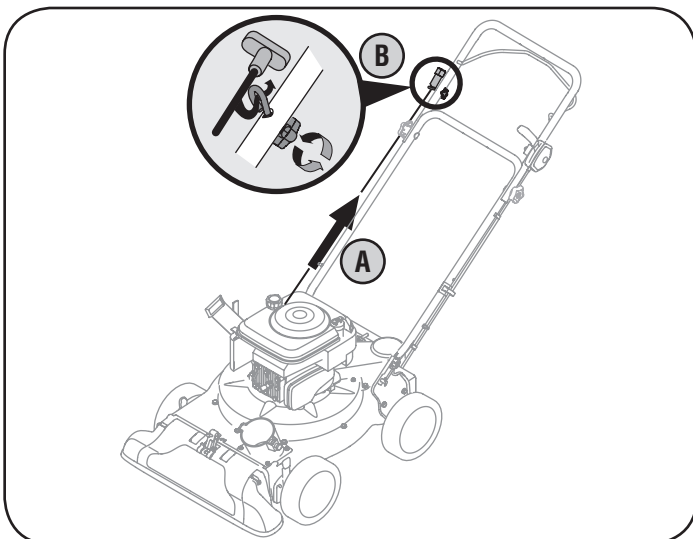


Figura 4

MONTAJE

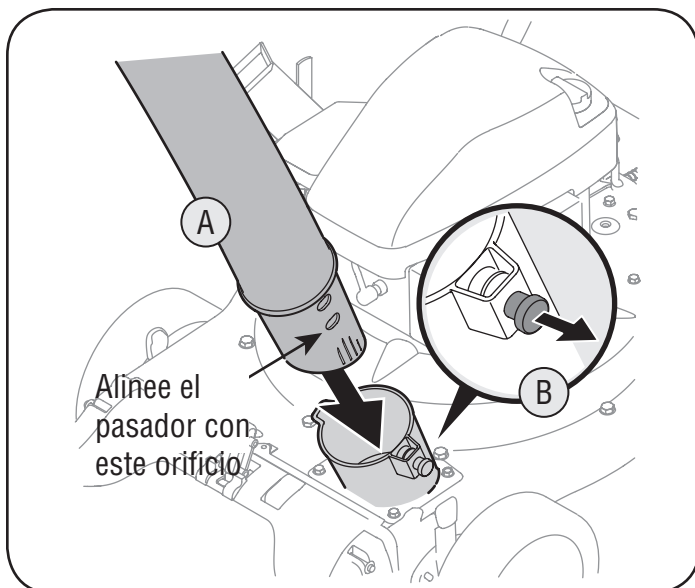


Figura 5

INSTALACIÓN DEL MONTAJE DE LA MANGUERA

- a. Deslice el adaptador para manguera del montaje de la misma hacia el interior del adaptador base ubicado a la izquierda y al frente de la aspiradora para patios. Vea la figura 5.
- b. Tire del perno con resorte del lado exterior de la base, y ponga el perno en línea con el primer agujero (el más cercano al extremo del tubo) del adaptador para manguera.
- c. Suelte el perno para ajustar la manguera en su lugar.
2. a. Primero, una a presión la manija de la manguera con el soporte para la manija de la manguera superior, y después con el soporte de la manguera inferior.
- b. Sitúe el caño de la manguera en el gancho de soporte junto al canal de la cortadora. Vea la figura 6.

MONTAJE DE LA BOLSA

1. Sostenga la manija de la bolsa con una mano y deslice la varilla de seguridad del soporte de montaje hacia el motor con la otra mano. Use el extremo del soporte de montaje como palanca cuando deslice la varilla de seguridad.
- a. Deslice la bolsa por encima del borde de la abertura de descarga y suelte la varilla de seguridad para ajustar la bolsa en su lugar. Vea la figura 7.
- b. Una el broche de la bolsa a presión con la parte superior de la manija inferior.
- c. Coloque las tiras inferiores de la bolsa por encima de la parte superior de la manija inferior, enganchándolas en los pernos. Vea la figura 7.

NOTA: El botón interruptor de bolsa / canal, unido a la ménsula de montaje, debe quedar presionado totalmente por la punta de la aleta delantera situada en la manija de la bolsa cuando ajuste dicha bolsa, o el motor no arrancará.

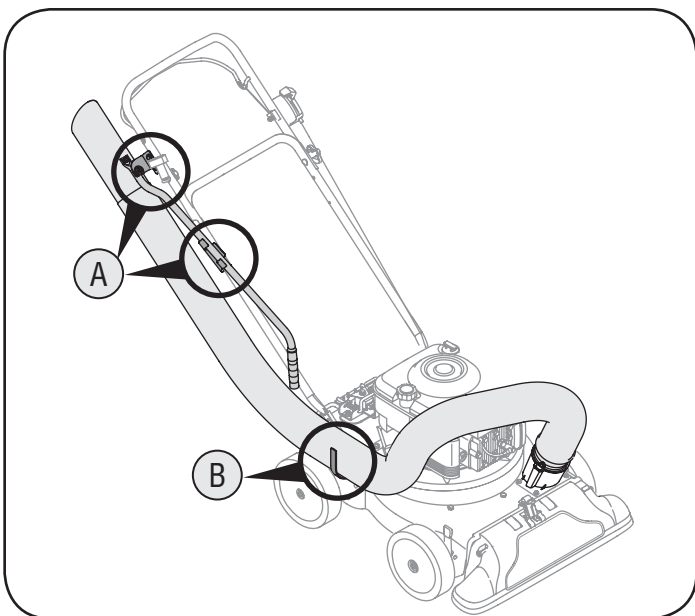


Figura 6



Figura 7

MONTAJE

INSTALAR EL CANAL DE SOPLADO

NOTA: hay que retirar la bolsa antes de instalar el canal de soplado.

1. a. Tome el canal de soplado con una mano y deslice la varilla de seguridad del soporte de montaje hacia el motor con la otra mano. Use el extremo del soporte de montaje como palanca cuando deslice la varilla de seguridad. Vea la figura 8.
b. Deslice el canal de soplado por encima del borde de la abertura de descarga, y suelte la varilla de seguridad para ajustar el canal en su lugar.
c. Aumente la altura del pico al máximo cuando utilice el canal de soplado. Consulte las instrucciones para ajustar la altura del pico en la siguiente sección.

NOTA: El botón interruptor de bolsa / canal unido a la ménsula de montaje debe quedar presionado totalmente por la punta de la aleta delantera situada en el canal de soplado, o el motor no arrancará.

⚠ ADVERTENCIA

Siempre detenga el motor y desconecte el cable de la bujía antes de hacer cualquier tipo de mantenimiento o ajustes. Utilice siempre anteojos de seguridad durante la operación o mientras ajusta o repara este equipo.

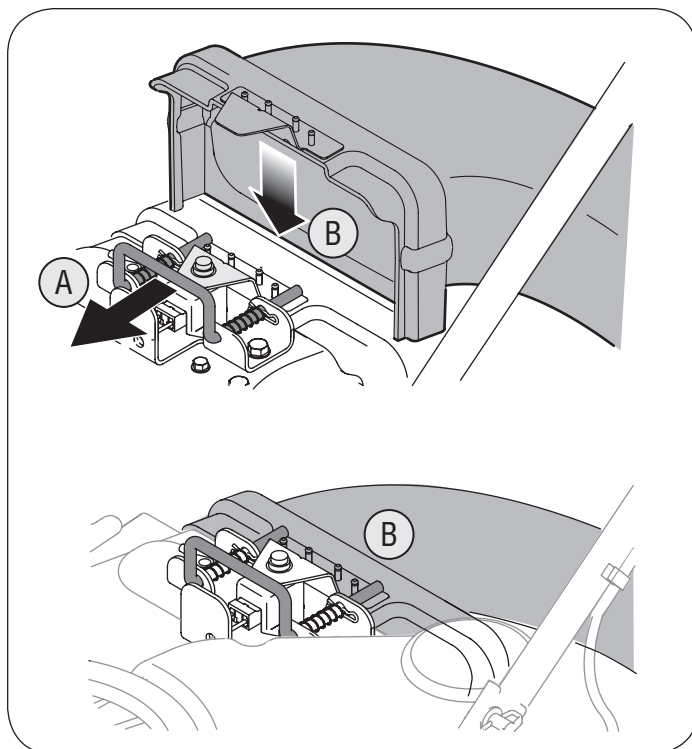


Figura 8

AJUSTE DE LA ALTURA DEL PICO

Puede ajustar el pico en seis posiciones que varían desde 5/8" a 4 1/8" de distancia del suelo. Debe ajustar la altura del pico según las condiciones del patio.

1. Oprima la palanca de ajuste de la altura del pico hacia la rueda. Vea la figura 9.
2. Mueva la palanca de ajuste de altura hacia delante o hacia atrás, para mover el pico arriba o abajo. Asegúrese de que ambas palancas están en la misma posición.
3. Libere la palanca hacia la cubierta.

NOTA: en general, levante la altura del pico para aspirar una capa gruesa de hojas o para usar el canal de soplado. Baje la altura del pico para superficies más lisas.

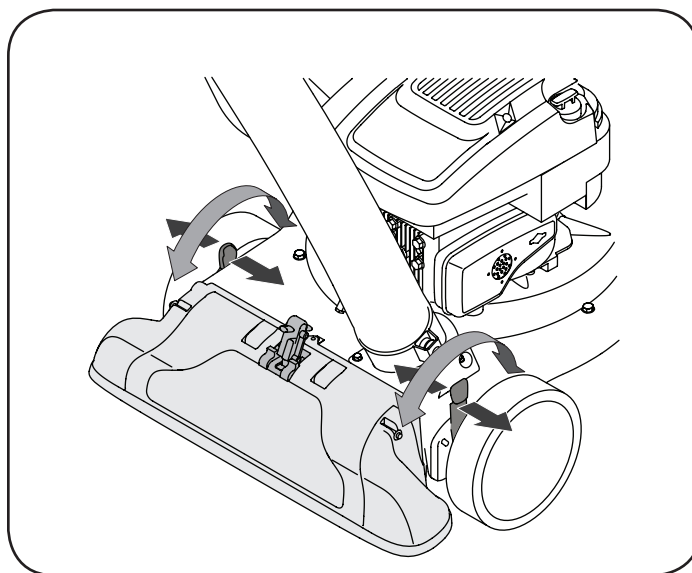


Figure 9

OPERACIÓN

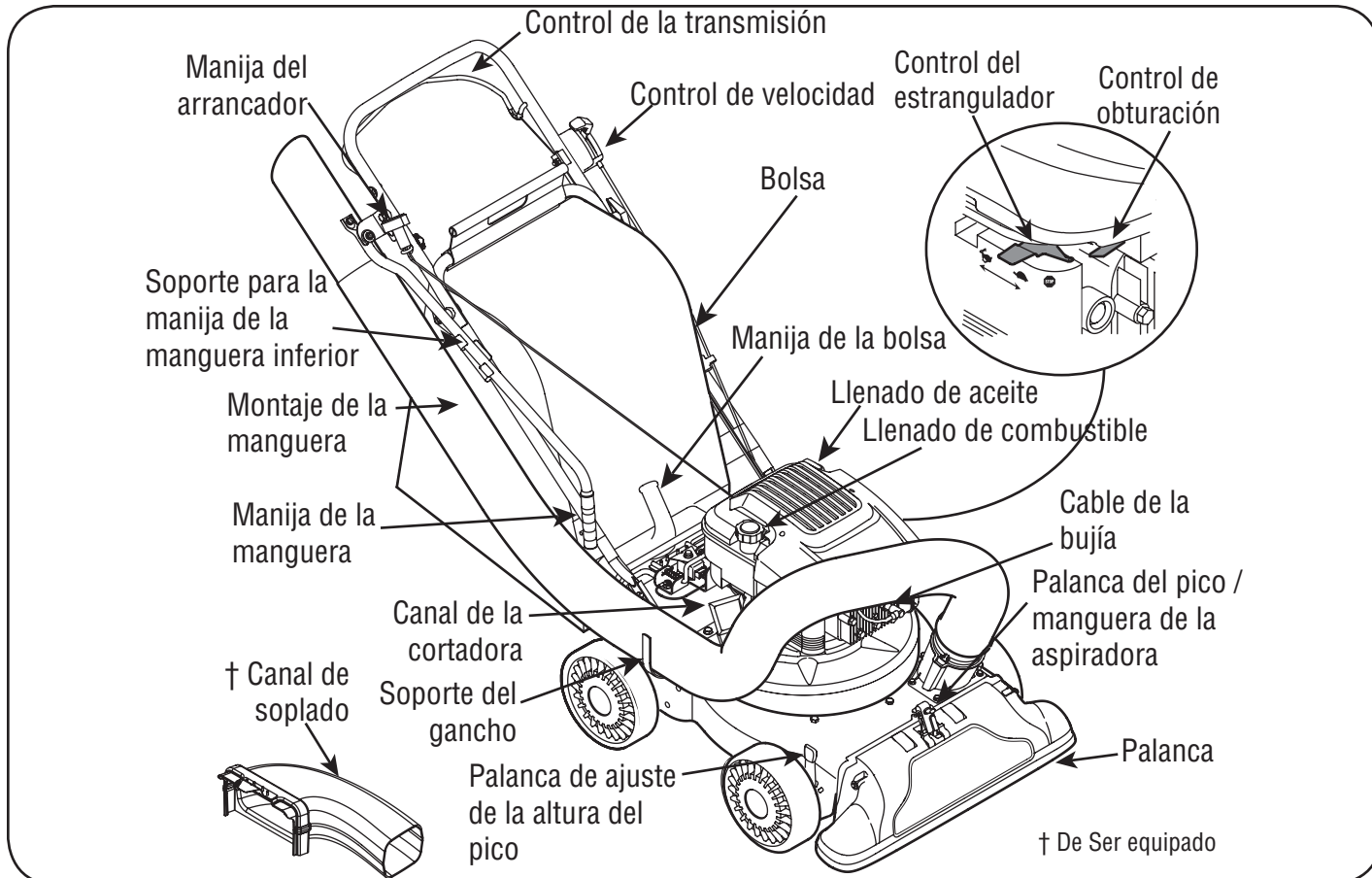


Figura 10

Ahora que ya ha ajustado su aspiradora para patios para la operación, familiarícese con sus controles y características. Estos se describen y se ilustran en esta página. Este conocimiento le permitirá utilizar su nuevo equipo a su máxima capacidad.

⚠ ADVERTENCIA

Al operar una cortadora trituradora puede ser que objetos extraños sean arrojados a los ojos lo cual puede dañarlos gravemente. Utilice siempre los anteojos de seguridad provistos con esta unidad o protectores para ojos mientras opera y mientras realiza ajustes o reparaciones.

CANAL DE LA CORTADORA

Permite que las ramas pequeñas de hasta 1-1/2" de diámetro ingresen al motor para picarlas. Vea la figura 9.

CONTROL DE VELOCIDAD

Situado en la parte izquierda de la manija izquierda, el control de velocidad se utiliza para seleccionar la velocidad de avance de la aspiradora para patios.

CONTROL DE LA TRANSMISIÓN

Ubicado sobre la parte de abajo de la manija superior, el control de la transmisión se utiliza para engranar / desengranar las ruedas. Apriete por completo el control de la transmisión contra la manija superior para engranar las ruedas, y suéltelo para desengranarlas. (NO suelte el embrague).

IMPORTANTE: Mueva el control de velocidad sólo cuando el motor esté en marcha. Si cambia el ajuste del control de velocidad con el motor apagado, su aspiradora para patios puede resultar dañada.

PALANCA

Los desechos que se acumulan en los patios como por ejemplo las hojas o las agujas de los pinos se pueden aspirar con el pico para picarlos.

BOLSA

Junta el material triturado que ingresó a través del canal de picado o que fue aspirado a través del pico o de la manguera.

MANIJA DE LA BOLSA

Se utiliza para tomar la bolsa para colocarla, sacarla y vaciarla. Vea la figura 10.

Cumple con los estándares de seguridad de ANSI

Las aspiradoras para patios de Craftsman cumplen con los estándares de seguridad del instituto estadounidense de estándares nacionales (ANSI).

OPERACIÓN

CANAL DE SOPLADO

Cuando se lo une a la unidad el canal de soplado se utiliza para soplar o esparcir por los patios los desechos que se acumulan en los mismos como por ejemplo las hojas, las agujas de los pinos o las ramas pequeñas.

MONTAJE DE LA MANGUERA

Se usa como alternativa del uso del pico para aspirar los desechos que se acumulan en los patios como por ejemplo las hojas o las agujas de los pinos que se encuentran en lugares de difícil acceso. Vea la figura 10.

PALANCA DEL PICO / MANGUERA DE LA ASPIRADORA

La manija del pico / manguera de la aspiradora está situada en la parte superior del pico. Utilícela para alternar la succión de la aspiradora entre el pico y el montaje de la manguera.

PALANCA DE AJUSTE DE LA ALTURA DEL PICO

Se utiliza para ajustar la distancia entre el suelo y el pico que varía aproximadamente de 5/8" a 4 1/8". Vea la figura 10.

CONTROL DEL ESTRANGULADOR

Esta palanca controla la velocidad del motor y la función de detención. Mediante tres posiciones independientes de la palanca, de izquierda a derecha, la operación se realiza de la siguiente forma:



Arranque /
funcionamiento



lento /
marcha lenta



Motor apagado

CONTROL DE OBTURACIÓN

El control de obturación se utiliza para cebar el carburador y ayudar a que el motor arranque.

MANIJA DEL ARRANCADOR

Se utiliza para encender el motor.

LLENADO DE GASOLINA Y ACEITE

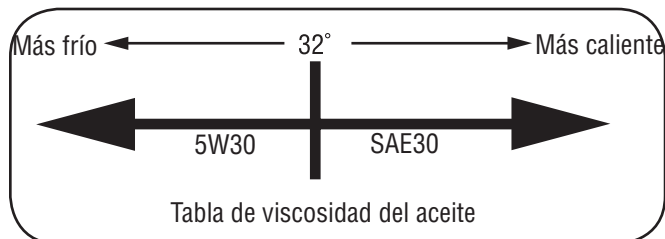
Aceite (se envía una botella junto con la unidad)

Primer uso

1. Saque la varilla del nivel de aceite.
2. Con la aspiradora para patios al nivel del suelo, utilice un embudo para vaciar dentro del motor todo el contenido de la botella de aceite suministrada con la unidad.
3. Vuelva a colocar la varilla de llenado de aceite y ajústela.

Usos posteriores

Use solamente un aceite detergente de alta calidad cuya clasificación de servicio API sea SF, SG o SH. Seleccione el grado de viscosidad SAE del aceite según la temperatura de operación esperada. Cumpla la tabla que aparece a continuación:



Aunque los aceites de viscosidad múltiple (5W30, 10W30, etc.) mejoran el encendido cuando el clima está frío, los mismos incrementan el consumo de aceite cuando se usan a más de 32°F. Compruebe el nivel de aceite con mayor frecuencia para evitar daños debido a que el motor trabaje con un nivel de aceite bajo.

1. Compruebe el nivel de aceite asegurándose que la varilla del nivel de aceite no roce con las paredes interiores del tubo de llenado de aceite. De hacerlo se puede producir una lectura falsa de la varilla del nivel de aceite. Rellene hasta la marca de FULL (lleno) de la varilla del nivel de aceite, si es necesario. La capacidad es de aproximadamente 18 oz. El llenado en exceso hace que el motor emane mucho humo y que el rendimiento del mismo no sea bueno.
2. Vuelva a colocar la varilla de llenado de aceite y ajústela.
3. Mantenga el nivel de aceite en la marca FULL. Si pone el motor en marcha con muy poco aceite le puede causar daños permanentes.

⚠ ADVERTENCIA

Tenga extremo cuidado cuando manipule gasolina. La gasolina es altamente inflamable y sus vapores pueden causar explosiones. Nunca cargue combustible en la máquina en un espacio cerrado o cuando el motor está caliente o en marcha. Apague cigarrillos, cigarros, pipas y otras fuentes de combustión.

GASOLINA

1. Saque la tapa del combustible del depósito del mismo.
2. Verifique que el recipiente del que va a verter la gasolina esté limpio y libre de óxido o de objetos extraños. No use nunca gasolina que pueda estar vieja por haber estado almacenada en su recipiente por largos períodos. La gasolina que ha estado estacionada por un período superior a cuatro semanas debe considerarse vieja.
3. Llene el tanque de combustible sólo con gasolina normal sin plomo, limpia y fresca. No use gasolina que contenga METANOL. Vuelva a colocar la tapa de combustible en su lugar.

⚠ PRECAUCIÓN

Los combustibles con mezcla de alcohol (que se llaman gasohol, o que utilizan etanol o metanol) pueden atraer humedad, lo que conduce a la separación y formación de ácidos durante el almacenamiento. El gas ácido puede dañar el sistema de combustible del motor mientras la máquina está almacenada.

⚠ PRECAUCIÓN

No use nunca productos de limpieza para motores o carburadores en el depósito de combustible, se pueden ocasionar daños permanentes.

OPERACIÓN

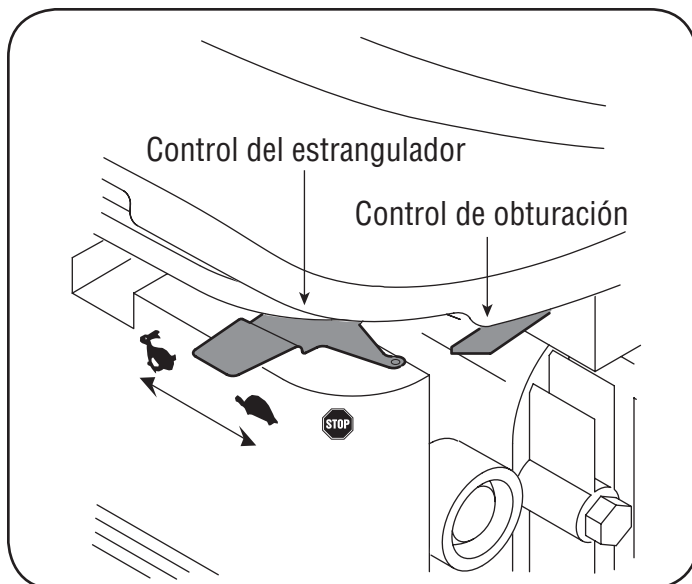


Figura 11

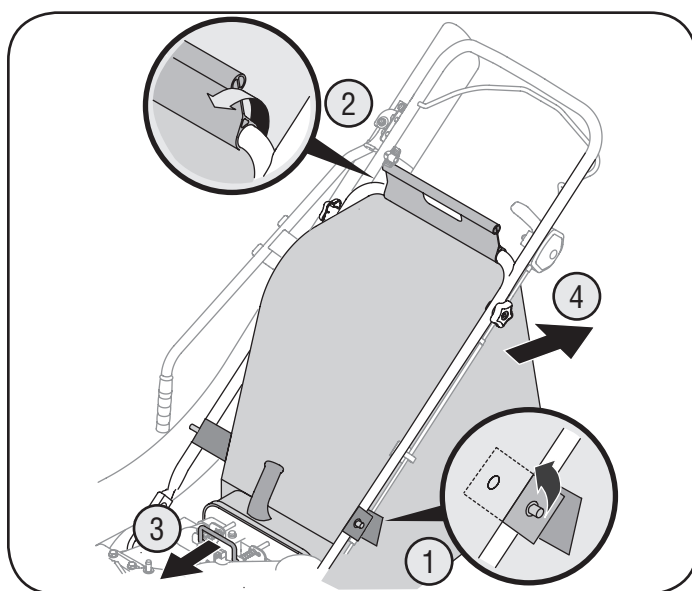


Figura 12

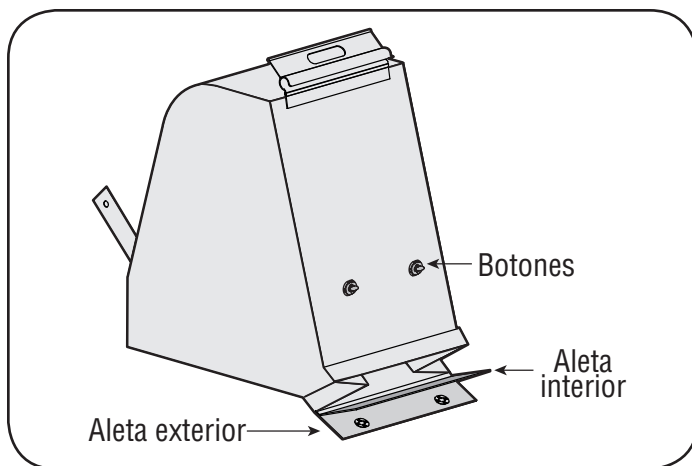


Figura 13

⚠ PRECAUCIÓN

Para evitar problemas con el motor, se debe vaciar el sistema de combustible antes de almacenar la máquina durante 30 días o más. Vacíe el tanque de nafta, encienda el motor y déjelo funcionar hasta que las líneas de combustible y el carburador estén vacíos. La siguiente temporada use combustible fresco. Consulte las Instrucciones de ALMACENAMIENTO si desea información adicional.

NOTA: Verifique periódicamente el nivel de combustible para evitar quedarse sin gasolina mientras está operando la aspiradora para patios. Si la unidad se queda sin combustible mientras está triturando, puede resultar necesario destapar el área de descarga antes de poder volver a encenderla. Consulte la sección SERVICIO Y MANTENIMIENTO.

⚠ ADVERTENCIA

Cuando mueva la palanca del control del regulador tenga cuidado con las superficies calientes y los bordes afilados de la protección del silenciador.

PARA ENCENDER EL MOTOR

1. Conecte el cable de la bujía y la manga de goma a la misma.
2. El botón del interruptor de bolsa / canal debe quedar presionado totalmente por la punta de la aleta delantera situada en la manija de la bolsa o en el canal de soplado, ya que en caso contrario el motor no arrancará.
3. Compruebe que el cable del interruptor de la bolsa / canal esté conectado al motor y que esté conectado a tierra mediante la ménsula de montaje.
4. El tanque de combustible debe llenarse a 3/4 del total antes de arrancar.
5. Mueva la palanca de control del estrangulador a la posición START/RUN (encendido / funcionamiento, representado por una liebre). Vea la figura 11.
6. Mueva el control de obturador hacia el control del regulador para obturar el carburador del motor. (Si el motor está tibio la obturación puede no ser necesaria).
7. Situado detrás de la unidad, tome la manija del arrancador y tire de la cuerda hasta que sienta un tirón. Vea la figura 11.
8. Tire de la cuerda de manera rápida y continua. Apriete bien la manija del arrancador. Deje que la cuerda se enrosque lentamente.
9. Repita este paso, de ser necesario, hasta que se encienda el motor. Cuando se enciende el motor mueva el control de obturación gradualmente lejos del control del estrangulador.
10. Si el motor falla, mueva el control de obturador hacia atrás, en dirección al control del estrangulador, y repita los pasos 1 a 9.
11. Mantenga SIEMPRE el control del estrangulador en posición START/RUN (encendido / funcionamiento) mientras opere la aspiradora para patios.

PARA DETENER EL MOTOR

1. El regulador de movimiento controla la palanca para reducir la marcha (tortuga) de la posición. Siempre que posible, gradualmente reduzca la velocidad de motor antes de parar el motor.
2. Mueva las palancas de control del regulador a la posición STOP (detención) u OFF (apagado).

OPERACIÓN

3. Desconecte el cable de la bujía de la bujía y colóquelo a masa contra el poste de retención para evitar que se encienda accidentalmente mientras no se está prestando atención al equipo.

DESCARGA DE LA BOLSA

1. Desenganche las tiras de la bolsa de la manija inferior.
2. Suelte el broche de la bolsa a presión de la parte superior de la manija inferior. Vea la figura 12.
3. Tome la manija de la bolsa con una mano y tire de la varilla de seguridad del soporte de montaje hacia el motor con la otra mano para soltarla.
4. Eleve la bolsa fuera de la parte posterior de la unidad.
5. Gire los dos botones de la parte posterior de la bolsa para abrirla y vaciar el contenido. Vea la figura 13. Sostenga la manija y el broche de la bolsa mientras vacía el contenido.
6. Comprima la abertura de la bolsa y doble la aleta interior sobre la abertura.
7. Doble la aleta exterior sobre la aleta interior e inserte los botones de la bolsa a través de las salidas metálicas. Vea la figura 13.
8. Gire los botones para cerrar la bolsa. Ubique la bolsa de nuevo en la unidad como se indica en la Sección de Asamblea.

EXTRACCIÓN DEL CANAL DE SOPLADO

1. Tome el canal de soplado con una mano y tire de la varilla de seguridad del soporte de montaje hacia el motor con la otra mano para soltarlo. Consulte la figura 8 en la Sección de Asamblea.
2. Saque el canal de soplado por encima del borde de la abertura de descarga.

USO DEL PICO DE LA ASPIRADORA

1. Coloque la palanca del pico / manguera de la aspiradora en la posición superior del pico para aspirar a través del mismo. Vea la figura 14.
2. El perno con resorte debe estar en el primer orificio (el más cercano al final del tubo) del adaptador de la manguera para operar el pico de la misma.
3. Con ambas manos situadas en la parte superior de la manija superior, eleve completamente el control de transmisión contra la manija superior para impulsar la unidad por el patio.
4. Utilice el control de velocidad para elegir velocidad alta o baja. El control de velocidad puede moverse mientras la unidad se impulsa o antes de engranar las ruedas.

IMPORTANTE: Mueva el control de velocidad sólo cuando el motor esté en marcha. Si cambia el ajuste del control de velocidad con el motor apagado, su aspiradora para patios puede resultar dañada.

El desecho que se acumula en los patios como por ejemplo las hojas y las agujas de los pinos pueden aspirarse a través del pico para triturarlos. Después que ha triturado el material con las hojas de desgranar del montaje del motor, el mismo será descargado a la bolsa colectora o a través del canal de soplado. Sólo utilice la máquina para triturar o picar el material integrante de la vegetación que se encuentra en un patio normal (es decir, ramas, hojas, ramas pequeñas, etc.) Evite las plantas fibrosas como por ejemplo las de tomates hasta que estén totalmente secas. Se pueden introducir materiales como por ejemplo troncos o ramas pesadas de hasta 1 -1/2" de diámetro en el canal de la cortadora.

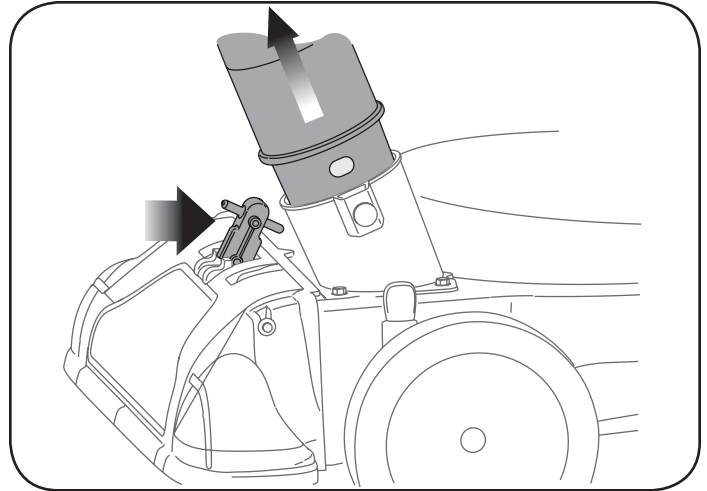


Figura 14

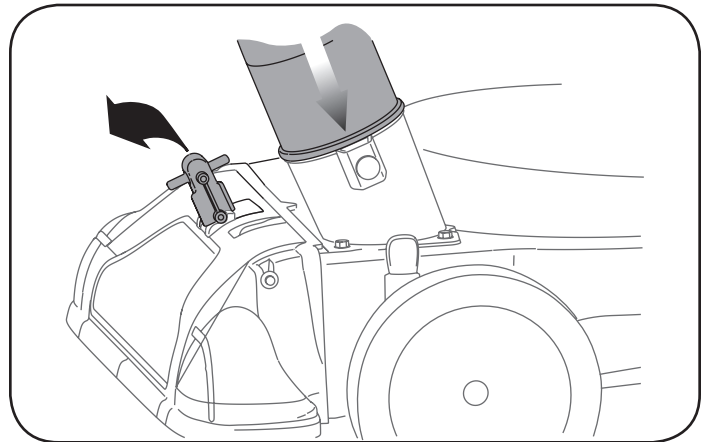


Figura 15

⚠ ADVERTENCIA

No intente triturar, picar ni aspirar material de mayor tamaño al especificado en la máquina o en este manual. Se podrían producir lesiones o daños a la máquina.

IMPORTANTE: La pantalla de desgranado está ubicada dentro de la caja en la zona de descarga. Si se tapa la pantalla de desgranado, sáquela y límpiela como se indica en la sección de mantenimiento. Para obtener el mejor resultado es importante también mantener afilada la hoja de la cortadora.

⚠ ADVERTENCIA

Siempre detenga el motor y desconecte el cable de la bujía antes de realizar cualquier ajuste.

USO DEL MONTAJE DE LA MANGUERA

1. Coloque la manija del pico / manguera de la aspiradora en la posición de la base del pico para volver a dirigir la aspiración al montaje de la manguera. Vea la figura 15.
2. Para operar el ensamblado de la manguera, el perno con resorte debe estar en el segundo agujero del adaptador de la misma.
3. Desenganche la manguera del soporte de la manija superior y tome la manija de la manguera para dirigirla mientras aspira los desechos que se acumulan en los patios como por ejemplo hojas o agujas de pinos que se encuentran en lugares de difícil acceso.

SERVICIO Y MANTENIMIENTO

⚠ ADVERTENCIA

Siempre detenga el motor y desconecte el cable de la bujía antes de hacer cualquier tipo de mantenimiento o ajustes. Utilice siempre anteojos de seguridad durante la operación o mientras ajusta o repara este equipo.

RECOMENDACIONES GENERALES

- Respete siempre las reglas de seguridad cuando realice tareas de mantenimiento.
- La garantía de esta aspiradora para patios no cubre elementos que han estado sujetos al mal uso o negligencia del operador. Para recibir el reembolso total de la garantía, el operador deberá dar mantenimiento al equipo tal y como se indica en este manual.
- Algunos ajustes deben ser realizados periódicamente para el mantenimiento adecuado de la unidad.
- Revise periódicamente todos los sujetadores y compruebe que estén bien ajustados.

MANTENIMIENTO DE MOTOR

Servicio A La Bujía

Limpie la bujía y ajuste el espacio a 0.020" al menos una vez por estación; sustituya cada 100 horas de la operación.

- Área limpia alrededor de la base de bujía. No lije la bujía. Se deben limpiar las bujías mediante raspado o tallado con cepillo de alambre y lavado con un solvente comercial.
- Quite e inspeccione la bujía. Compruebe el hueco para asegurarse que es puesto en .020". Ver la Figura 16.
- Sustituya la bujía si los electrodos son picados, quemados, o la porcelana es rajada.

Servicio Del Filtro De Aire

⚠ PRECAUCIÓN

No use aire presurizado o solventes para limpiar el cartucho de filtro de aire.

El filtro de aire evita el ingreso al carburador de suciedad, polvo, etc. perjudiciales y evita que los mismos sean introducidos dentro del motor. Además, dicho filtro es importante para la vida útil y el rendimiento del motor. El filtro de aire consta de un filtro plisado. No ponga nunca en funcionamiento el motor sin haber montado totalmente el filtro de aire.

Limpio o sustituyen el filtro de aire cada 25 horas de la operación.

1. Afloje el tornillo e incline hacia abajo la cubierta del alojamiento de plástico en el lateral del motor. Vea la figura 17.
2. Retire el filtro plisado de la cubierta del alojamiento de plástico y sustituya por un filtro limpio o nuevo.
3. Inserte las etiquetas de la tapa en ranuras en el fondo de la base.
4. Incline hacia arriba la cubierta hasta su ubicación y apriete el tornillo.

NOTA: Si el filtro está roto o dañado, cámbielo.

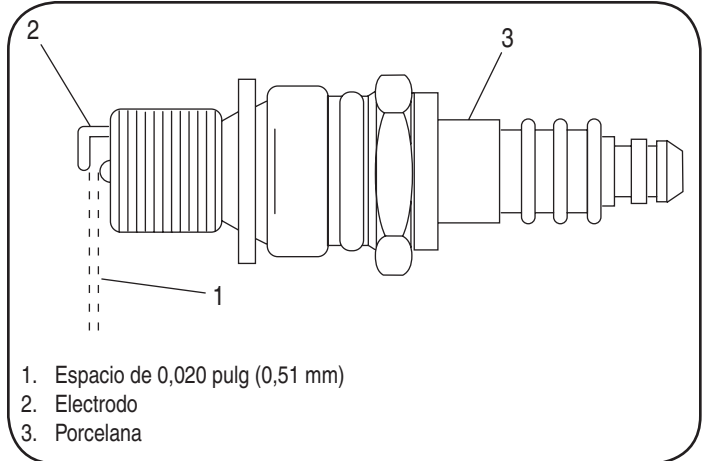


Figura 16

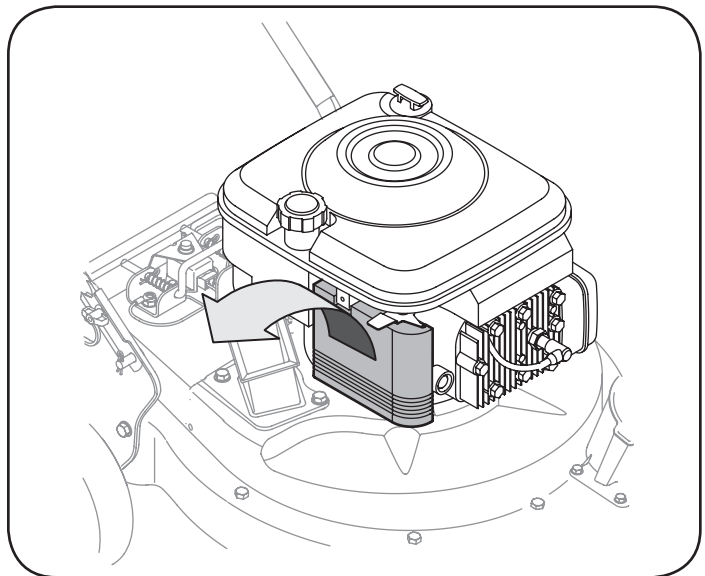


Figura 17

SERVICIO Y MANTENIMIENTO

Compruebe El Aceite Del Motor

1. Detenga el motor y espere varios minutos antes de verificar el nivel de aceite. Con el motor ubicado en suelo parejo, el aceite debe estar en la marca FULL (lleno) de la varilla del nivel de aceite.
2. Saque la varilla del nivel de aceite y limpie limpio con la tela.
3. Sustituya y apriete la varilla de aceite. Quite y compruebe el nivel del aceite. El nivel debería estar en la señal LLENA.
4. De ser necesario, añada el petróleo despacio - nuevo control. No sobrellenar.
5. Limpie la varilla de aceite limpia, sustituya y apretar. Quite y compruebe el nivel del aceite. El nivel del aceite debería estar en la línea LLENA en la varilla de aceite.

⚠ PRECAUCIÓN

No haga overfil. El sobrelleno con el petróleo puede hacer que el motor no comience, o con fuerza comienzo. Si sobre la señal LLENA en la varilla de aceite, drene el petróleo para reducir el nivel del aceite a la señal LLENA en la varilla de aceite.

Cambio Del Aceite Del Motor

- Use solamente un aceite detergente de alta calidad cuya clasificación de servicio API sea SF, SG o SH. Seleccione el grado de viscosidad SAE del aceite según la temperatura de operación esperada. Consulte la sección de operación para ver la tabla de viscosidad.
- Cambie el petróleo de motor después de las cinco a ocho primeras horas de la operación, y cada cincuenta horas o cada temporada a partir de entonces. Cambie el petróleo cada veinticinco horas cuando motor de operaciones bajo la carga pesada o en temperaturas altas.

Cómo Vaciar El Aceite

1. Vacíe el combustible del tanque haciendo funcionar el motor hasta que el tanque de combustible esté vacío.
2. Desconecte la bujía lo alambren y guardan lejos de la bujía.
3. Con el motor LEJOS pero todavía se calientan quitan el petróleo llenan la varilla de aceite.
4. La unidad de punta en su lado (lado de bujía) para drenar por el petróleo llena el tubo en el receptáculo apropiado.

⚠ PRECAUCIÓN

El petróleo usado es un desecho arriesgado. Elimine el petróleo usado correctamente. No deseché con la basura de la casa. Compruebe con sus autoridades locales o Chamusca el Centro de Servicio para instalaciones de disposición/reciclaje seguras.

5. Cuando el motor es drenado de todo el petróleo, nivel de motor de lugar. Recambio con aproximadamente 18 onz. de petróleo fresco. Llénese a la línea LLENA en la varilla de aceite. No sobrellenar. Refiérase a Gas y Petróleo Llenar en la sección de OPERACIÓN.
6. Vuelva a colocar la varilla de llenado de aceite y ajústela.
7. Sustituya el alambre de bujía antes del comienzo.

⚠ ADVERTENCIA

La temperatura del silenciador y las áreas cercanas puede superar los 150° F (65° F). Evite esas zonas.

Servicio Al Silenciador

Inspeccione periódicamente el silenciador y reemplácelo de ser necesario. Los repuestos para el silenciador deben ser el mismo e instalado en la misma posición que las partes originales, por otra parte encender puede ocurrir.

Limpieza Del Motor

- Diariamente o antes de cada uso, limpie hierba, barcia o escombros acumulados del motor. Guarde encadenamiento, primavera, y mandos limpios. Guarde el área alrededor y detrás del silenciador sin cualesquiera escombros combustibles.
- El cuidado del motor limpio permite el movimiento aéreo alrededor del motor.
- Las partes de motor deberían ser guardadas limpias para reducir el riesgo de recalentarse y la ignición de escombros acumulados. Este es sobre todo importante cortando la alta hierba.

⚠ PRECAUCIÓN

No use el agua para limpiar partes de motor. El agua podría contaminar el sistema de combustible. Use un cepillo o la tela seca.

Ajuste de Carburador

El carburador en este motor no es ajustable.

Velocidad de Motor

⚠ ADVERTENCIA

No intente cambiar la velocidad de motor manipulando el encadenamiento de gobernador del motor. Haciendo tan podría causar la herida personal seria y dañar al motor. Las REVOLUCIONES POR MINUTO de motor han sido puestas en la fábrica.

LUBRICACIÓN

- **Ruedas** - Sitúe unas pocas gotas de aceite SAE 30 en cada tornillo con reborde una vez por temporada.
- **Palancas de ajuste de altura del pico**- Lubrique las palancas de ajuste de altura del pico con aceite ligero.
- **Varilla de seguridad**- Lubrique la varilla de seguridad y los resortes de compresión que la unen a la ménsula de montaje.
- **Palanca del pico / manguera de la aspiradora** - Lubrique la palanca del pico / manguera de la aspiradora que la unen a la ménsula de montaje.

LIMPIEZA DEL EQUIPO

- Limpie cuidadosamente la aspiradora para patios después de cada uso.
- Lave la bolsa con agua periódicamente. Permita que se seque bien en un sitio a la sombra.

SERVICIO Y MANTENIMIENTO

- Si se tapa la pantalla de desgranado, sáquela y límpiela como se indica abajo.

NOTA: La limpieza con un chorro de agua a presión no se recomienda, ya que el sistema de combustible podría resultar contaminado.

⚠ ADVERTENCIA

Antes de realizar cualquier tipo del mantenimiento en la máquina, espere todas las partes a dejar de moverse y desconectar el alambre de bujía. El fracaso de seguir esta instrucción podría causar la herida personal o el daño a la propiedad.

AJUSTE DEL CABLE DEL CONTROL DE TRANSMISIÓN

Ajuste el cable de control de transmisión si la aspiradora para patios no se autopropulsa con el control de transmisión engranado, o si la correa de transmisión se desliza (la unidad vacila mientras el motor mantiene la misma velocidad) tras aproximadamente 20 horas de uso. Para mover el accesorio "Z" del cable de control de transmisión de la posición configurada en fábrica en el orificio frontal del control de transmisión al orificio posterior, realice lo siguiente:

1. a. Empuje el lado derecho del control hacia afuera del orificio del lado derecho en la manija superior. Vea la figura 18A.
b. Gire el control hacia abajo, hacia la manija inferior.
c. Gire hacia arriba para retirarlo del orificio izquierdo de la manija superior. Vea la figura 18A.
2. Ahora hay suficiente holgura en el cable de control de transmisión para tomar el accesorio "Z" con su mano y moverlo del orificio frontal al posterior del control de transmisión. Vea la figura 18B.

IMPORTANTE: asegúrese de insertar el accesorio "Z" en el orificio posterior tal y como se insertó en el orificio delantero: es decir, desde el **exterior** del control de transmisión.

3. Ahora puede volver a instalar el control de transmisión con cuidado, realizando los pasos anteriores en el orden y forma inversos a los de su retirada.

IMPORTANTE: una vez montado y antes de volver a arrancar, asegúrese de que el cable está bien ajustado. Con el control de la transmisión desengranado, la unidad debe moverse libremente hacia atrás.

EXTRACCIÓN DE LA PANTALLA DE DESGRANADO

Si la zona de descarga se tapa, saque la pantalla de desgranado y limpie la zona como se indica a continuación.

1. Detenga el motor. Compruebe que el vacío de la cortadora/trituradora se haya detenido por completo.
2. Antes de destapar el canal de descarga, **desconecte el cable de la bujía y póngalo de manera que haga masa contra el poste de retención.**
3. Saque la bolsa de la aspiradora o el canal de soplado de la unidad, como se indica en la sección OPERACIÓN, para acceder a la pantalla de desgranado.

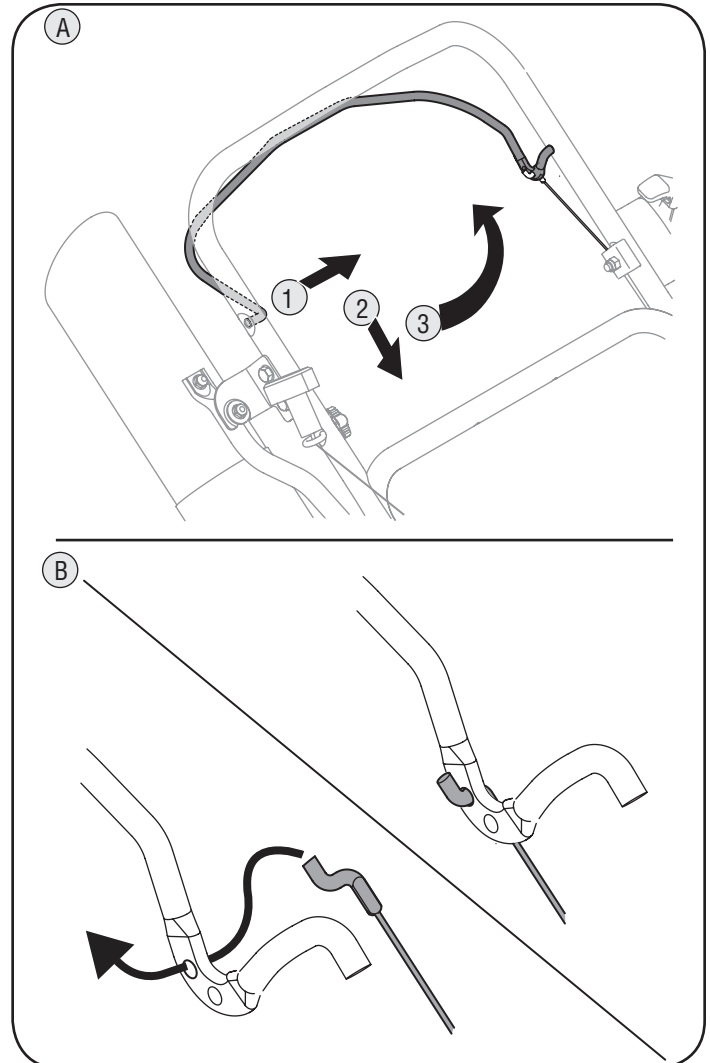


Figure 18

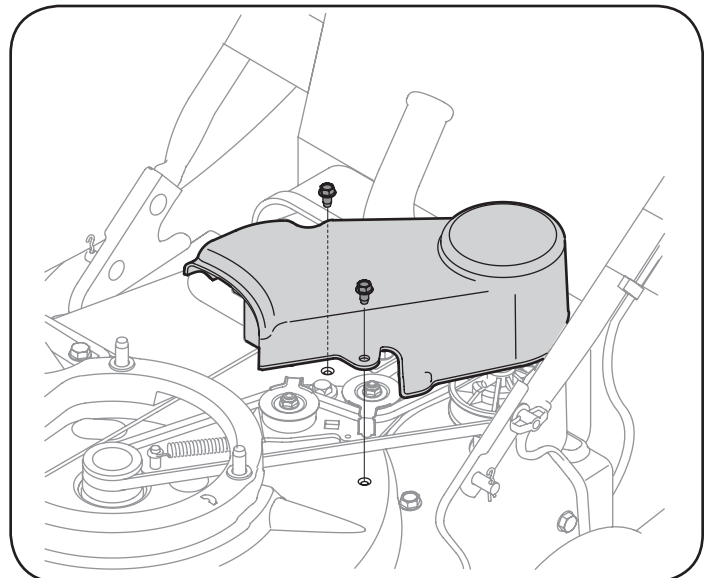


Figure 19

SERVICIO Y MANTENIMIENTO

4. Retire los tres tornillos autosellantes que aseguran la tapa de la correa y extraiga la misma. Vea la figura 19.
5. Saque el tornillo autosellante del lado derecho de la unidad que se une a la pantalla de desgranado. Puede ser necesario quitar la suspensión de soporte de manguera para conseguir el acceso al tornillo. Vea la figura 20.
6. Saque el tornillo de cabeza hexagonal de la parte superior de la caja posterior cerca del soporte de montaje, y la tuerca de seguridad de la brida que une la pantalla de desgranado. Vea la figura 20.
7. Saque la pantalla y límpiela con un cepillo o lávela con agua. Vea la figura 21.
8. Vuelva a colocar la pantalla.

AFILADO O REEMPLAZO DE LAS HOJAS DE LA CORTADORA

NOTA: cuando incline la unidad, vacíe el depósito de combustible y aceite, y mantenga el lado de la bujía hacia arriba.

1. **Desconecte el cable de la bujía y póngalo de manera que haga masa contra el poste de retención.**
2. Retire el montaje de la bolsa o el canal de soplado.
3. Ajuste los tres tornillos de cabeza hexagonal que sostienen la suspensión de soporte de manguera y el canal de la cortadora a la caja superior. Vea la figura 22.
4. Saque las tapas de buje delanteras, las tuercas de seguridad de brida, las ruedas delanteras y las arandelas ondulatorias que van unidas a los montajes del brazo giratorio. Vea la figura 23.
5. Saque los tornillos con reborde, las arandelas de arrastre y las arandelas de campana que pasan por los brazos giratorios hasta la traba de sostén delantera. La traba de sostén delantera y la tuerca de seguridad pueden quitarse en este momento también.

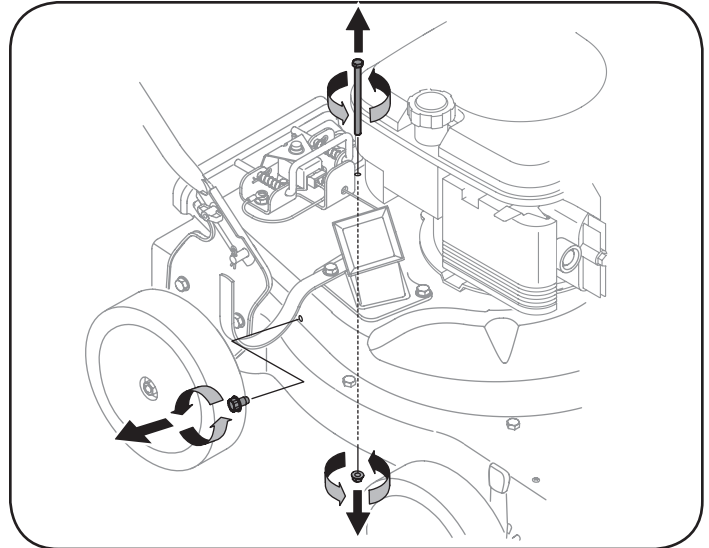


Figura 20

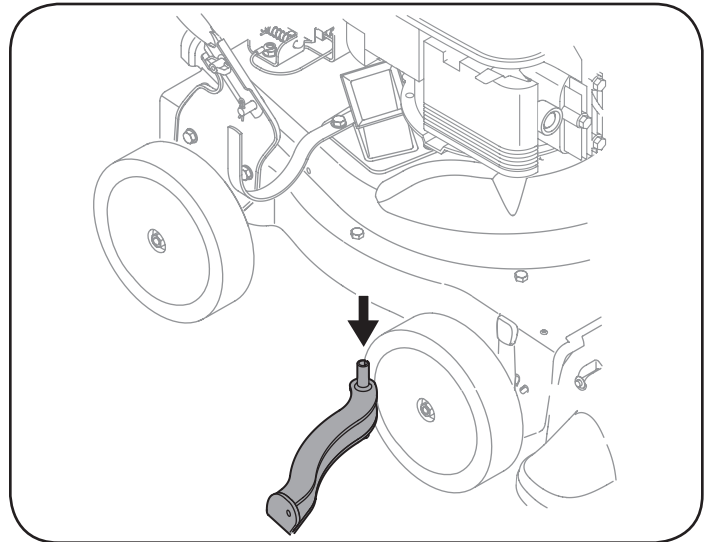


Figura 21

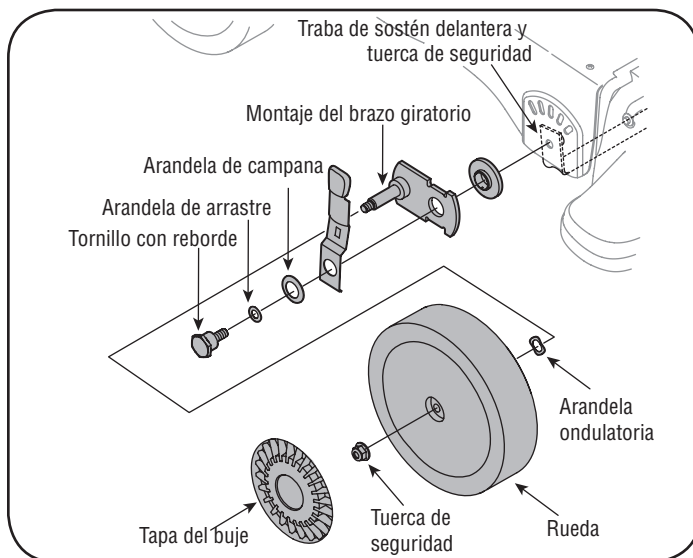


Figura 23

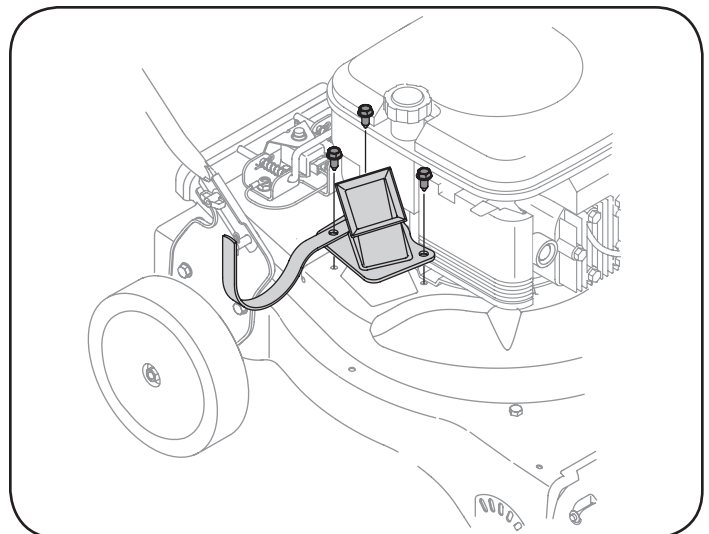


Figura 22

SERVICIO Y MANTENIMIENTO

6. Saque los cuatro tornillos de la caja superior que ajustan la cubierta del pico. Vea la figura 24.
7. Incline la unidad con cuidado y apóyela hacia arriba para obtener acceso por la parte inferior al material de montaje del pico y al motor. Retire los tres tornillos con reborde que aseguran el pico de plástico negro a la caja inferior. Consulte la figura 25.
8. Incline la parte superior del pico de plástico negro hacia el motor para retirarlo.
9. Mediante una llave Allen de 3/16", retire los tornillos de cabeza plana que sujetan la hoja de la cortadora al motor. Dichos tornillos son accesibles a través de la abertura que se creó cuando retiró el canal de la cortadora anteriormente. Vea la figura 26.
10. Es posible alcanzar las tuercas de los tornillos de cabeza plana desde la parte inferior, mediante una llave universal de 1/2 pulg. con extensión. Vea la figura 27.
11. Cambie o afile las hojas de la cortadora. Se puede afilar la cuchilla con un afilador o con una rueda de esmalte.

⚠ ADVERTENCIA

Cuando afile las hojas, protéjase las manos mediante el uso de guantes y siga el ángulo original de molido.

12. Para realizar el reensamblado siga los pasos anteriores en orden y manera inversos a la extracción.

NOTA: Ajuste los tornillos de la hoja con un par de torsión de 210- 250 in-lbs. Compruebe que se reensamblen las hojas de la cortadora con el filo hacia arriba.

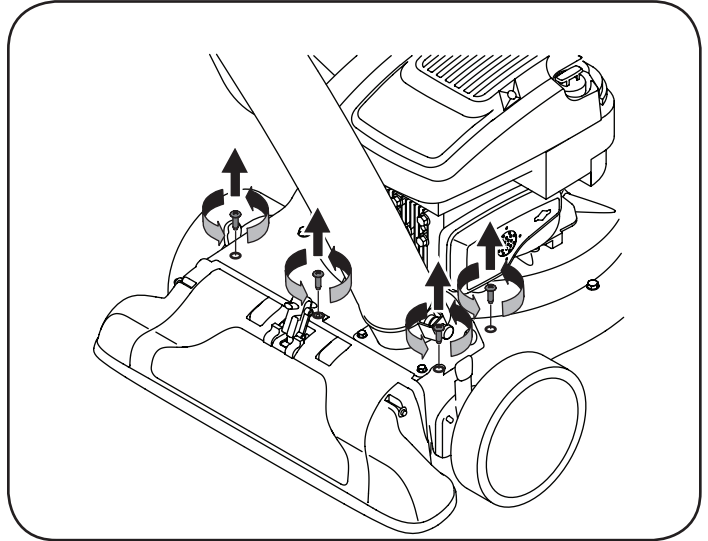


Figura 24

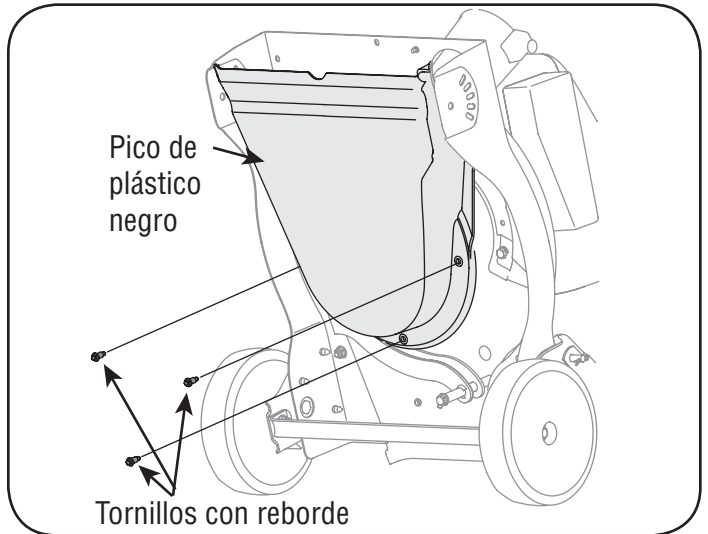


Figura 25

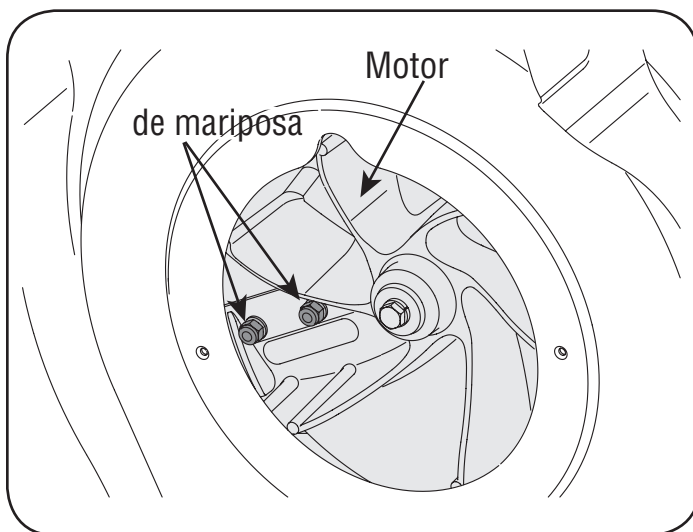


Figura 27

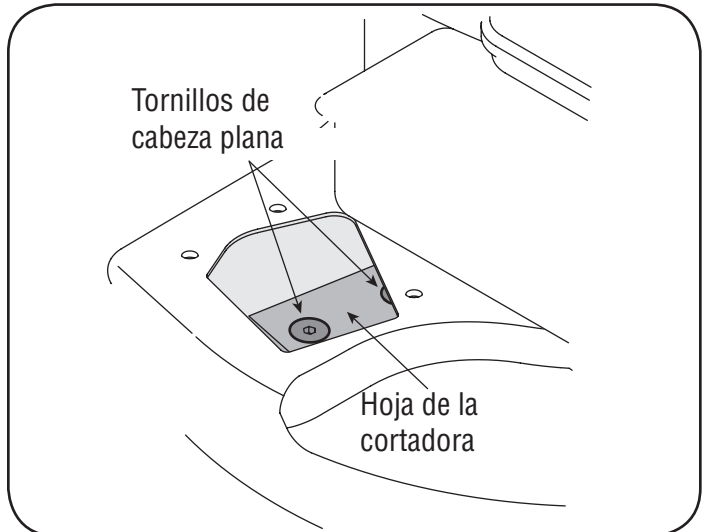


Figura 26

SERVICIO Y MANTENIMIENTO

LISTA DE MANTENIMIENTO

ADVERTENCIA

Antes de realizar cualquier tipo del mantenimiento/servicio, suelte todos los mandos y pare el motor. Espere hasta que todas las partes de movimiento hayan venido a una parada completa. Desconecte el alambre de bujía y béselo contra el motor para prevenir el comienzo involuntario. Siempre lleve puestos cristales inastillables durante la operación o realizando cualquier ajuste o reparaciones.

Siga la lista de mantenimiento dada abajo. Esta carta describe pautas de servicio sólo. Use la columna de Tronco de Servicio para guardar la pista de tareas de mantenimiento completadas. Localizar el más cercano Chamusca el Centro de Servicio o programar el servicio, simplemente ponerse en contacto Chamusca en **1-800-4-MY-HOME®**.

Intervalo	Artículo	Servicio	Tronco de Servicio
Cada Uso	<ol style="list-style-type: none">1. Nivel del aceite de motor2. Hardware suelto o ausente3. Unidad y motor	<ol style="list-style-type: none">1. Comprobar2. Apriete o sustituir3. Limpio	
1os 5 - 8 horas	<ol style="list-style-type: none">1. El aceite de motor	<ol style="list-style-type: none">1. Cambio	
25 horas	<ol style="list-style-type: none">1. El aceite de motor†2. Filtro de aire3. Encadenamientos de control y pivotes	<ol style="list-style-type: none">1. Cambio2. Limpio o sustituyen3. Lubricación con petróleo ligero	
50 horas	<ol style="list-style-type: none">1. El aceite de motor	<ol style="list-style-type: none">1. Cambio	
Anualmente o 100 horas	<ol style="list-style-type: none">1. Bujía	<ol style="list-style-type: none">1. Limpio, sustituya, nuevo hueco	
Antes de Almacenaje	<ol style="list-style-type: none">1. Sistema de combustible	<ol style="list-style-type: none">1. El motor dirigido hasta que esto se pare a falta del combustible o añada un aditivo de gasolina al gas en el tanque.	

† Bajo carga pesada o en temperaturas altas

ALMACENAMIENTO FUERA DE TEMPORADA

WARNING

Nunca almacene el vacío de yarda con el combustible en el tanque dentro o en áreas mal ventiladas donde los vapores de combustible pueden alcanzar una llama abierta, la chispa, o el piloto como en un horno, calentador de agua, secador de ropa, o aplicación de gas.

PREPARACIÓN DEL MOTOR

Ya que los motores almacenaron más de 30 días:

1. Para impedir a la goma formarse en el sistema de combustible o en partes de carburador, dirijas el motor hasta que esto se pare a falta del combustible o añadir un aditivo de gasolina al gas en el tanque. Si usted usa un aditivo de gas, dirige el motor durante varios minutos para poner en circulación el aditivo por el carburador — después que el motor y el combustible pueden ser almacenados hasta seis meses.
2. Mientras el motor es todavía caliente, cambio el petróleo.
3. Quite la bujía y vierta aproximadamente 1 onz. (30 ml) del petróleo de motor limpio en el cilindro. Tire el juez de salida de retroceso varias veces para distribuir el petróleo, e instalar de nuevo la bujía.
4. Limpie el motor de escombros superficiales.

LA PREPARACIÓN DEL VACÍO DE YARDA

- Almacenando el vacío de yarda en un cobertizo de almacenaje no ventilado o metálico, el cuidado debería ser tomado a inoxidable las superficies no pintadas. Usando un petróleo ligero o silicona, cubra el equipo, sobre todo cualquier primavera, portes, y cables.
- Quite toda la suciedad del exterior de motor y equipo.
- Siga recomendaciones de lubricación.
- Equipo de tienda en un área limpia, seca. No almacene en un área donde el equipo está presente que puede usar un piloto o tiene un componente que puede cree una chispa.

SOLUCIÓN DE PROBLEMAS

⚠ ADVERTENCIA

Antes de realizar cualquier tipo del mantenimiento/servicio, suelte todos los mandos y pare el motor. Espere hasta que todas las partes de movimiento hayan venido a una parada completa. Desconecte el alambre de bujía y béselo contra el motor para prevenir el comienzo involuntario. Siempre lleve puestos cristales inastillables durante la operación o realizando cualquier ajuste o reparaciones.

Esta sección se dirige a cuestiones de servicio menores. Localizar el más cercano Chamusca el Centro de Servicio o programar el servicio, simplemente ponerse en contacto Chamusca en 1-800-4-MY-HOME®.

Problema	Causa	Remedio
El motor no arranca	<ol style="list-style-type: none"> 1. La palanca del regulador no está en la posición de arranque correcta 2. La palanca de obturación no está en la posición ON (encendido) 3. Se ha desconectado el cable de la bujía 4. La bujía no funciona correctamente 5. El tanque de combustible está vacío o el combustible es viejo 6. No se puede tirar de la cuerda de retroceso 7. El interruptor de seguridad no está presionado 8. El cable del interruptor de seguridad no está conectado al motor o no está conectado a tierra como corresponde 	<ol style="list-style-type: none"> 1. Mueva la palanca del regulador a la posición START (inicio)/RUN (dirigido). 2. Ponga el interruptor en la posición CHOKE (obturación). 3. Conecte el cable a la bujía. 4. Limpie, ajuste la distancia disruptiva o cambie. 5. Llene el tanque con gasolina limpia y fresca. 6. Hay una obstrucción en el motor. Desconecte el cable de la bujía y retire el objeto atascado. 7. El interruptor de seguridad debe ser presionado por la aleta delantera de la manija de la bolsa cuando se asegura la bolsa. 8. Conecte el cable del interruptor de seguridad al conector del motor, de manera que haga masa contra la ménsula de montaje.
El motor funciona de manera errática	<ol style="list-style-type: none"> 1. La unidad está funcionando en la posición CHOKE (obturación) 2. El cable de la bujía está flojo 3. El combustible es viejo 4. Agua o suciedad en el sistema del combustible 5. El filtro de aire está sucio 6. RPM del motor bajas 7. Es necesario ajustar el carburador 	<ol style="list-style-type: none"> 1. Cambie la palanca de obturación a la posición OFF (apagado). 2. Conecte y ajuste el cable de la bujía. 3. Llene el tanque con gasolina limpia y fresca. 4. Vacíe el tanque del combustible. Vuelva a llenarlo con combustible limpio. 5. Limpie o cambie el filtro de aire. 6. Siempre accione el motor con el estrangulador al máximo. 7. Contacte con su centro de partes y reparaciones Sears.

SOLUCIÓN DE PROBLEMAS

ADVERTENCIA

Antes de realizar cualquier tipo del mantenimiento/servicio, suelte todos los mandos y pare el motor. Espere hasta que todas las partes de movimiento hayan venido a una parada completa. Desconecte el alambre de bujía y béselo contra el motor para prevenir el comienzo involuntario. Siempre lleve puestos cristales inastillables durante la operación o realizando cualquier ajuste o reparaciones.

Esta sección se dirige a cuestiones de servicio menores. Localizar el más cercano Chamusca el Centro de Servicio o programar el servicio, simplemente ponerse en contacto Chamusca en 1-800-4-MY-HOME®.

Problema	Causa	Remedio
El motor recalienta	<ol style="list-style-type: none"> 1. El nivel de aceite del motor es bajo 2. Flujo de aire restringido 	<ol style="list-style-type: none"> 1. Llene el cárter con la adecuada selección de aceite. 2. Recortes de periódico de hierba limpios y escombros de alrededor de las aletas de refrigeración del motor y alojamiento de soplador.
Saltos ocasionales (pausas) a alta velocidad	<ol style="list-style-type: none"> 1. La distancia disruptiva de la bujía es muy poca 	<ol style="list-style-type: none"> 1. Quite la bujía y ajuste el hueco.
El motor funciona en vacío mal	<ol style="list-style-type: none"> 1. Bujía ensuciada 2. El filtro de aire está sucio 	<ol style="list-style-type: none"> 1. Sustituya la bujía y ajuste el hueco. 2. Limpie o cambie el filtro de aire.
Demasiada vibración	<ol style="list-style-type: none"> 1. Hay partes que están flojas o el motor está dañado 	<ol style="list-style-type: none"> 1. Detenga el motor de inmediato y desconecte el cable de la bujía. Contacte con su centro de partes y reparaciones Sears.
La unidad no descarga	<ol style="list-style-type: none"> 1. El área de descarga está tapada 2. Hay un objeto extraño en el motor 3. RPM del motor bajas 4. La bolsa de la aspiradora está llena. 	<ol style="list-style-type: none"> 1. Detenga el motor de inmediato y desconecte el cable de la bujía. Limpie la pantalla de desgranado y el interior de la abertura de descarga. 2. Detenga el motor y desconecte el cable de la bujía. Saque el objeto extraño del motor. 3. Siempre accione el motor con el estrangulador al máximo. 4. Vacíe la bolsa.
La tasa de descarga se reduce de manera considerable o cambia la composición del material descargado	<ol style="list-style-type: none"> 1. RPM del motor bajas 2. La hoja de la cortadora está desafilada 	<ol style="list-style-type: none"> 1. Siempre accione el motor con el estrangulador al máximo. 2. Reemplace la hoja de la cortadora o contacte a su centro de reparaciones y partes Sears.
La unidad no se autopropulsa, o se desliza cuando el control de transmisión está engranado	<ol style="list-style-type: none"> 1. El cable del control de transmisión está mal ajustado. 2. La correa de transmisión está desgastada o dañada. 	<ol style="list-style-type: none"> 1. Siga el procedimiento de ajuste en la sección sobre ajustes y servicio del manual. 2. Contacte con su centro de partes y reparaciones Sears.

(Esta página se aplica sólo en EE.UU. y Canadá).

Sears, Roebuck and Co., U.S.A. (Sears), el Consejo de Recursos Ambientales de California (CARB) y la Agencia de Protección Ambiental de los Estados Unidos (EPA)

Declaración de garantía del sistema de control de emisiones (derechos y obligaciones de la garantía de defectos del propietario)

LA COBERTURA DE LA GARANTÍA DE CONTROL DE EMISIONES ES APLICABLE A LOS MOTORES CERTIFICADOS COMPRADOS EN CALIFORNIA EN 1995 Y POSTERIORMENTE, QUE SE UTILIZAN EN CALIFORNIA,

Declaración de garantía sobre defectos en el control de emisiones para California y los Estados Unidos

El Consejo de Recursos Ambientales de California (CARB), la EPA (Agencia de Protección Ambiental de los EE.UU.) y Sears tienen el gusto de explicar la garantía del sistema de control de emisiones para motores del año 2000 y para el futuro con relación a motores pequeños todo terreno (SORE). En California, los nuevos motores pequeños todo terreno deben estar diseñados, construidos y equipados para cumplir con las rigurosas normas anti-smog del estado. En el resto de los Estados Unidos, los motores nuevos todo terreno de encendido por chispa certificados para el año 1997 deben cumplir estándares similares establecidos por la EPA. Sears debe garantizar el sistema de control de emis-

Y PARA LOS MODELOS CERTIFICADOS DEL AÑO 1997 Y POSTERIORES, QUE SE COMPREN Y UTILICEN EN CUALQUIER PARTE DE LOS ESTADOS UNIDOS (Y A PARTIR DEL 1 DE ENERO DE 2001 EN CANADÁ).

iones de su motor para los períodos de tiempo enumerados a continuación, siempre que no haya abuso, negligencia o mantenimiento indebido de su motor todo terreno pequeño. Su sistema de control de emisiones puede incluir piezas tales como el carburador, el filtro de aire, el sistema de encendido, el silenciador y el convertidor catalítico. También puede incluir conectores y otras unidades relacionadas con las emisiones. Donde exista una condición cubierta por la garantía, Sears reparará su pequeño motor todo terreno sin costo alguno incluyendo diagnóstico, piezas y mano de obra

Cobertura de la garantía Sears para defectos en el control de emisiones

Los motores todo terreno pequeños están garantizados en lo relativo al control de emisiones para defectos en piezas durante un período de dos años, sujeto

Responsabilidades del propietario en relación con la garantía

Como propietario del motor todo terreno pequeño, Ud. es responsable de la realización del mantenimiento requerido que se incluye en las instrucciones de operación y mantenimiento. Sears recomienda que se conserven todos los recibos relativos al mantenimiento de su motor todo terreno pequeño, pero no puede denegar la garantía simplemente por la falta de los mismos, o por su incumplimiento del mantenimiento programado. Como propietario del motor pequeño todoterreno debe saber que, sin embargo, Sears le puede negar la cobertura de la garantía si su motor todoterreno pequeño o una pieza del mismo han fallado debido a abuso, negligencia, mantenimiento indebido o

a las disposiciones que se indiquen a continuación. Si una parte de su motor cubierta por la garantía es defectuosa, Sears reparará o sustituirá dicha parte.

a modificaciones no aprobadas. Ud. es responsable de presentar su motor todoterreno pequeño a un distribuidor de servicios Sears autorizado tan pronto como aparezca un problema. Las reparaciones de la garantía sin conflicto deben completarse en un plazo de tiempo razonable, no superior a 30 días. Si tiene alguna pregunta respecto a sus derechos y responsabilidades referentes a la garantía, debe contactar con un representante de servicios Sears al 1--800--469--4663. La garantía de emisiones es una garantía por defectos. Los defectos se juzgan de acuerdo con el funcionamiento normal de un motor. La garantía no está relacionada con una prueba de emisiones en uso.

Disposiciones de la garantía Sears para defectos en el control de emisiones

Las siguientes son disposiciones específicas relacionadas con la cobertura de la garantía para defectos en el control de emisiones. Es un añadido a la garantía de motor Sears para motores no regulados que se encuentra en las instrucciones de funcionamiento y mantenimiento.

1. Piezas con garantía

La cobertura de esta garantía se extiende únicamente a las piezas que aparecen a continuación (las partes de los sistemas de control de emisiones), siempre que dichas piezas estuvieran ya en el motor en el momento de su compra.

- a. Sistema de medición de combustible
 - Sistema de enriquecimiento para arranque en frío
 - Carburador y partes internas
 - Bomba de combustible
- b. Sistema de inducción de aire
 - Filtro de aire
 - Colector de admisión
- c. Sistema de encendido
 - Bujía(s) de encendido
 - Sistema de encendido magneto
- d. Sistema del catalizador
 - Convertidor catalítico
 - Colector de escape
 - Sistema de inyección de aire o válvula de impulsos
- e. Elementos variados usados en los sistemas anteriores
 - Válvulas de vacío, sensibles a temperatura, posición y tiempo e interruptores
 - Conectores y montajes

2. Alcance de la cobertura

Sears garantiza al poseedor inicial y a los compradores subsiguientes que las piezas con garantía no tendrán defectos en materiales ni mano de obra que provoquen la falla de las mismas durante un período de dos años a partir de la fecha en que el motor se entrega a un comprador particular.

3. Sin cargo

La reparación o reemplazo de cualquier parte con garantía se realizará

sin cargo alguno para el poseedor, incluyendo tareas de diagnóstico que permitan determinar si una parte con garantía es defectuosa, siempre que dicho diagnóstico se realice en un distribuidor de servicios Sears autorizado. Para el servicio de la garantía de emisiones, contacte al distribuidor de servicios Sears autorizado más cercano incluido en las "Páginas amarillas" en las categorías "Motores, gasolina", "Motores de gasolina", "Podadoras de césped", o similares.

4. Reclamaciones y exclusiones a la cobertura

Las reclamaciones de la garantía deben enviarse de acuerdo con las disposiciones de la política de garantía para motores Sears. La cobertura de la garantía excluirá defectos en piezas con garantía que no sean partes originales Sears, o abuso, negligencia o mantenimiento incorrecto, tal y como se establece en la política de garantía para motores Sears. Sears no es responsable de las fallas en piezas con garantía provocadas por el uso de partes añadidas, que no sean originales o que se hayan modificado.

5. Mantenimiento

Cualquier parte con garantía que no esté programada para ser reemplazada como mantenimiento requerido, o que sólo deba inspeccionarse regularmente al efecto de "inspeccione o reemplace según sea necesario", estará garantizada contra defectos durante el período de la garantía. Todas las piezas garantizadas que estén programadas para su reemplazo para cumplir con los requisitos de mantenimiento estarán garantizadas sólo por el período anterior al primer reemplazo programado para dicha pieza. Cualquier pieza de recambio que sea equivalente en funcionamiento y durabilidad puede usarse para realizar mantenimiento o reparaciones. El propietario es responsable de realizar todo el mantenimiento requerido, tal y como se define en las instrucciones de funcionamiento y mantenimiento Sears

6. Cobertura indirecta

Por la presente, la cobertura se extiende a la falla de cualquier componente de motor provocada por la falla de una pieza con garantía que esté todavía en período de garantía.

En los Estados Unidos y Canadá hay una línea de atención de 24 horas, **1-800-469-4663**, que cuenta con un menú con mensajes pre-grabados que contienen

Busque el período de duración de emisiones importantes y la información de clasificación de aire en la etiqueta de emisiones de su motor

Los motores cuyo cumplimiento con los estándares de emisión Tier 2 de la Comisión de Recursos Ambientales de California (CARB) esté certificado deben exhibir la información relacionada con el período de duración de las emisiones y la clasificación de aire. Sears, Roebuck and Co., de los Estados Unidos ponen esta información a disposición del consumidor en nuestras etiquetas de emisiones.

El Período de Duración de las Emisiones describe el número de horas de tiempo real de funcionamiento para el cual se certifica que el motor cumple con las reglas de emisión, descontando el mantenimiento adecuado del mismo según las instrucciones de operación y mantenimiento. Se utilizan las siguientes categorías:

Moderado: Se certifica que el motor cumple con las reglas de emisión durante 125 horas de tiempo real de funcionamiento del motor.

Inmediato: Se certifica que el motor cumple con las reglas de emisión durante 250 horas de tiempo real de funcionamiento del motor.

Extendido: Se certifica que el motor cumple con las reglas de emisión durante 500 horas de tiempo real de funcionamiento del motor.

Por ejemplo, una cortadora de césped típica que se empuja desde atrás se usa entre 20 y 25 horas por año. Por lo tanto, el **Período de Duración de Emisiones** de un motor con una **clasificación intermedia** sería equivalente a entre 10 y 12 años.

La **clasificación de aire** es un número calculado para describir el nivel relativo de emisiones para un grupo de motores en particular. Cuanto menor sea la **clasificación de aire**, mayor es la limpieza del motor. La información se presenta de forma gráfica en la etiqueta de emisiones.

Después del 1 de julio de 2000, busque el período de cumplimiento de las reglas de emisiones en la etiqueta de cumplimiento de las reglas de emisiones del motor

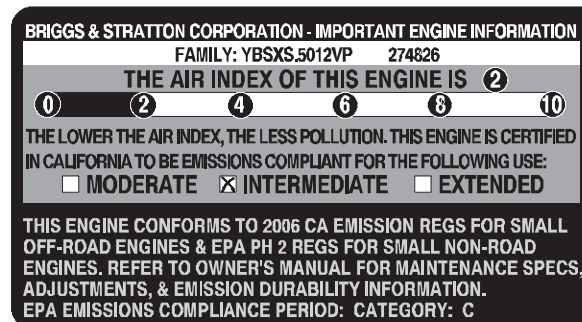
Después del 1 de julio de 2000 se certificará que determinados motores Sears, Roebuck and Co., de los Estados Unidos cumplen con los estándares de emisiones de la fase 2 de la Agencia de Protección Ambiental de los Estados Unidos (USEPA). Para los motores certificados para la etapa 2, el período de cumplimiento con las reglas de emisiones al cual se hace referencia en la etiqueta de cumplimiento con las reglas de emisiones indica el número de horas de funcionamiento para el cual se ha demostrado que el motor cumple con los requerimientos federales de emisión.

Para los motores con desplazamiento inferior a 225 cc, Categoría C = 125 horas, B = 250 horas y A = 500 horas.

Para los motores con desplazamiento de 225 cc o más, Categoría C = 250 horas, B = 500 horas y A = 1000 horas.

El desplazamiento de los motores de la serie modelo 150112 es 249 cc.

La presente es una representación genérica de la etiqueta de emisión que se encuentra generalmente en un motor certificado.



NOTAS

Get it fixed, at your home or ours!

Your Home

For repair – **in your home** – of **all** major brand appliances, lawn and garden equipment, or heating and cooling systems, **no matter who made it, no matter who sold it!**

For the replacement parts, accessories and owner's manuals that you need to do-it-yourself.

For Sears professional installation of home appliances and items like garage door openers and water heaters.

1-800-4-MY-HOME® (1-800-469-4663)

Call anytime, day or night (U.S.A. and Canada)

www.sears.com www.sears.ca

For expert home solutions advice: www.managemyhome.com

Our Home

For repair of carry-in items like vacuums, lawn equipment, and electronics, call or go on-line for the location of your nearest

Sears Parts & Repair Service Center

1-800-488-1222 (U.S.A.) **1-800-469-4663** (Canada)

Call anytime, day or night

www.sears.com www.sears.ca

To purchase a protection agreement on a product serviced by Sears:

1-800-827-6655 (U.S.A.)

1-800-361-6665 (Canada)

Para pedir servicio de reparación a domicilio, y para ordenar piezas:

1-888-SU-HOGAR®

(1-888-784-6427)

Au Canada pour service en français:

1-800-LE-FOYER^{MC}

(1-800-533-6937)

www.sears.ca



© Registered Trademark / TM Trademark / SM Service Mark of Sears Brands, LLC

® Marca Registrada / TM Marca de Fábrica / SM Marca de Servicio de Sears Brands, LLC

^{MC} Marque de commerce / ^{MD} Marque déposée de Sears Brands, LLC

© Sears Brands, LLC

Free Manuals Download Website

<http://myh66.com>

<http://usermanuals.us>

<http://www.somanuals.com>

<http://www.4manuals.cc>

<http://www.manual-lib.com>

<http://www.404manual.com>

<http://www.luxmanual.com>

<http://aubethermostatmanual.com>

Golf course search by state

<http://golfingnear.com>

Email search by domain

<http://emailbydomain.com>

Auto manuals search

<http://auto.somanuals.com>

TV manuals search

<http://tv.somanuals.com>