

Functional Summary

The GLA-PWSI50 is a 50 Watt Cresnet® Power Supply designed for use with a Crestron® Green Light™ system, or anywhere a wall-mountable Cresnet power supply is needed. It is compatible with any line voltage from 100 to 240 Volts, 50 or 60 Hz.

The GLA-PWSI50 mounts conveniently over the front of an electrical box, with all connections made inside the box via flying leads using terminal block connectors. An adapter plate is included for installation over a 1 or 2-gang UK or Euro style electrical box. Without the adapter plate, the GLA-PWSI50 may be mounted over a 4 inch square or 2-gang US electrical box.

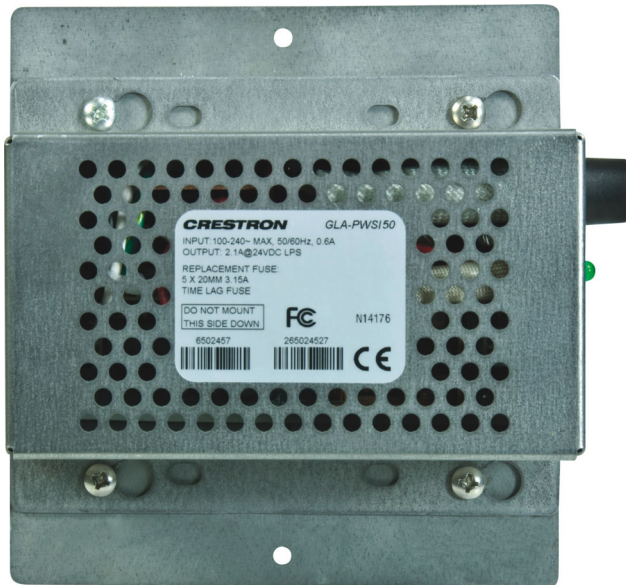
- 50 Watt Cresnet power supply
- Powers the IPAC and other Cresnet devices
- Provides backup power for Crestron Green Light cabinets
- Compatible with 100 to 240 VAC mains
- Mounts to a 1 or 2-gang UK (BS 4662) or Euro (DIN 49073) electrical box
- Also compatible with 4 inch square or 2-gang US electrical boxes

Specifications

GLA-PWSI50 Specifications

SPECIFICATION	DETAILS
Output Power	50 Watts (2.1 Amps) @ 24 Volts DC, regulated, limited power source
Output Power	
Ripple/Noise	<1%
Power Requirements	0.6 Amps @ 100-240 Volts AC, 50/60 Hz
Input	
Enclosure	Metal construction, 1- or 2-gang (BS4662 UK or DIN 49073) backbox, includes adapter plate
Environmental	0° to 40°C (32° to 104°F) 10% to 90% RH (non-condensing) 26 BTU/Hr
Temperature	
Humidity	
Heat Dissipation	
Dimensions (without adapter plate)	10.16 cm (4.00 in) 14.09 cm (5.55 in) 5.76 cm (2.27 in)
Height	
Width	
Depth	
Weight	0.54 kg (1.2 lbs)

GLA-PWS50 (shown with Adapter Plate) Physical View



Industry Compliance

As of the date of manufacture, the GLA-PWSI50 has been tested and found to comply with specifications for CE marking.



NOTE: This device complies with part 15 of the FCC rules. Operation is subject to the following two conditions: (1) this device may not cause harmful interference and (2) this device must accept any interference received, including interference that may cause undesired operation.

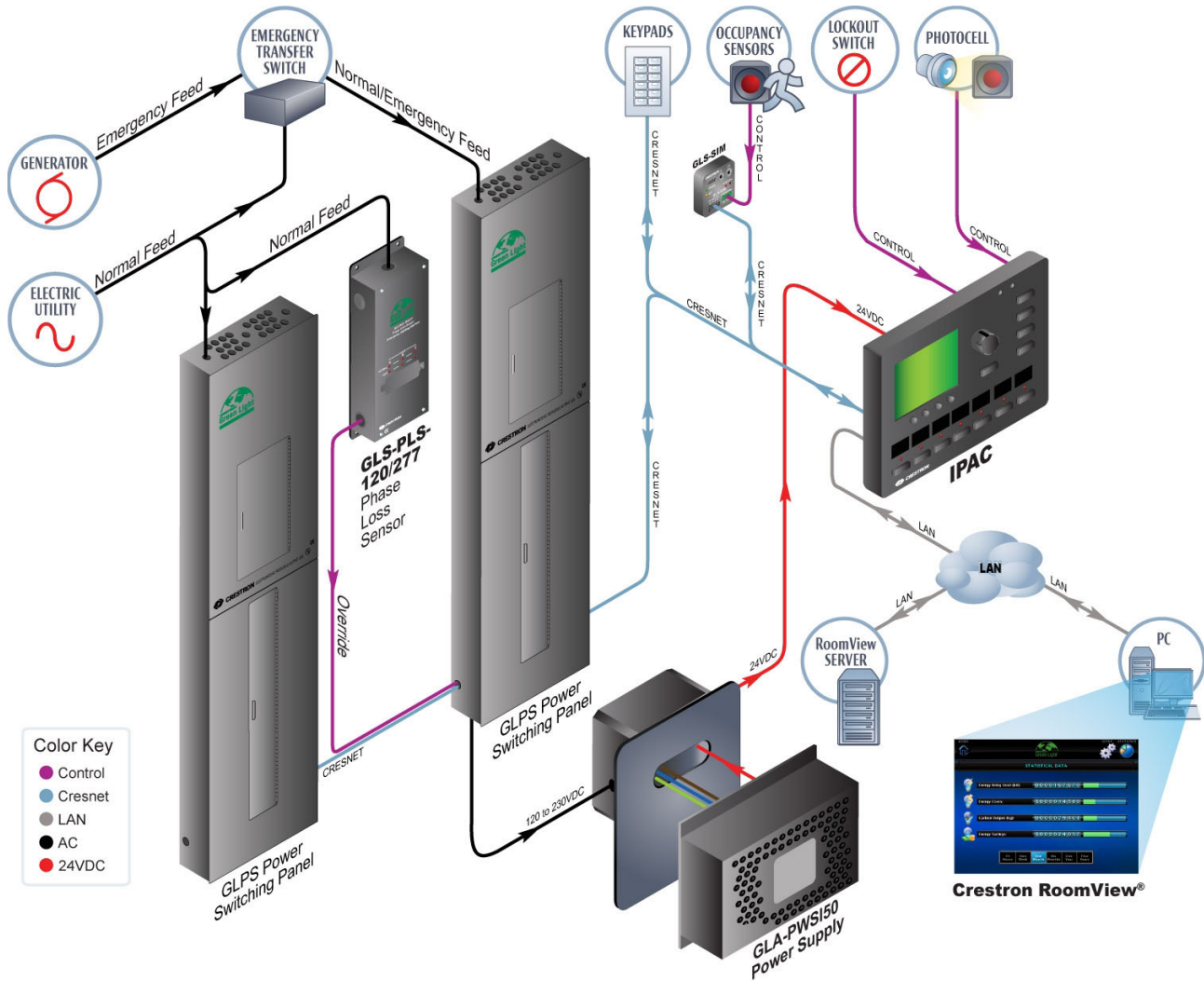
This equipment has been tested and found to comply with the limits for a Class B digital device, pursuant to part 15 of the FCC Rules. These limits are designed to provide reasonable protection against harmful interference in a residential installation. This equipment generates, uses and can radiate radio frequency energy and if not installed and used in accordance with the instructions, may cause harmful interference to radio communications. However, there is no guarantee that interference will not occur in a particular installation. If this equipment does cause harmful interference to radio or television reception, which can be determined by turning the equipment off and on, the user is encouraged to try to correct the interference by one or more of the following measures:

- Reorient or relocate the receiving antenna.
 - Increase the separation between the equipment and receiver.
 - Connect the equipment into an outlet on a circuit different from that to which the receiver is connected.
 - Consult the dealer or an experienced radio/TV technician for help.
-

Application

The following diagram shows a GLA-PWSI50 module in a typical application.

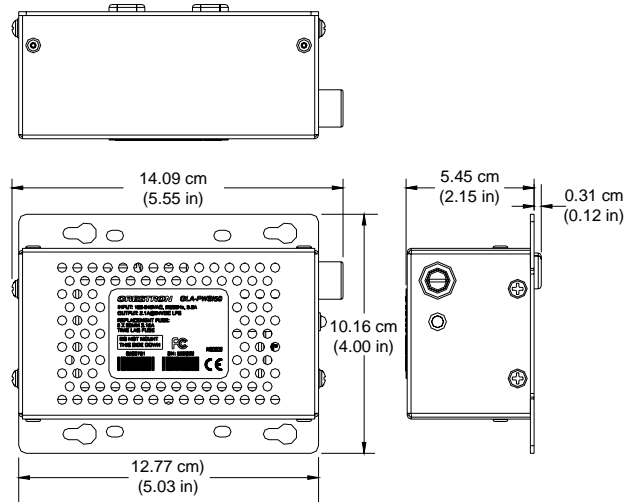
GLA-PWSI50 in a Lighting Application



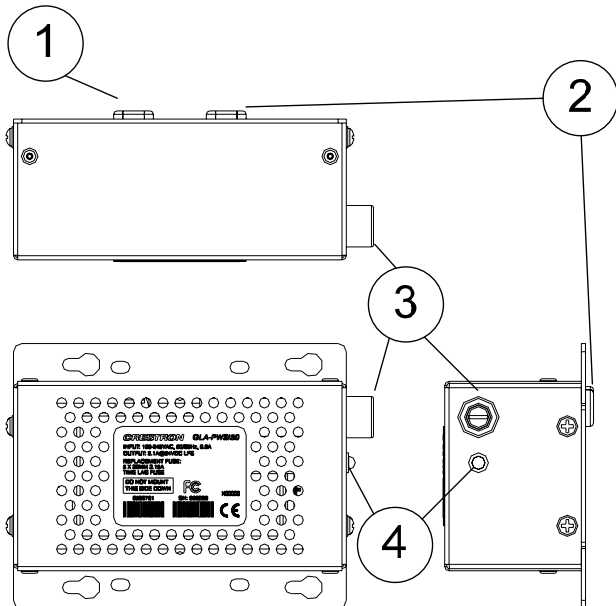
Physical Description

This section provides information on the connections, controls and indicators available on the GLA-PWSI50.

GLA-PWSI50 Overall Dimensions



GLA-PWSI50



Connectors, Controls & Indicators

#	CONNECTORS, CONTROLS & INDICATORS	DESCRIPTION
1	LINE POWER	(3) 152 mm flying leads, 0.75 mm ² , line power input Line (brown), neutral (blue), and ground (green/yellow) connections
2	OUTPUT	(2) 152 mm flying leads, 0.75 mm ² , Cresnet power output +24 VDC (red), G (black/white) connections Connects to "24" and "G" connections of the Cresnet control network, or directly to a 24 Volt DC powered Crestron device
3	FUSE	DC output fuse, T3.15AH (5x20mm, 250V, 3.15A, time-lag, ceramic cartridge).
4	24VDC LED	(1) green LED, indicates 24 Volts DC output, extinguishes when fuse is blown

Setup

Important Notes

Read before installation.

- Permits: An electrical permit shall be obtained prior to each installation.
- Codes: Install in accordance with all local and national electrical codes.
- Wiring: Use 75°C copper wire only.
- Not suitable for Hazardous/Classified areas.

Supplied Hardware

The hardware supplied with the GLA-PWSI50 is listed in the following table.

Supplied Hardware for the GLA-PWSI50

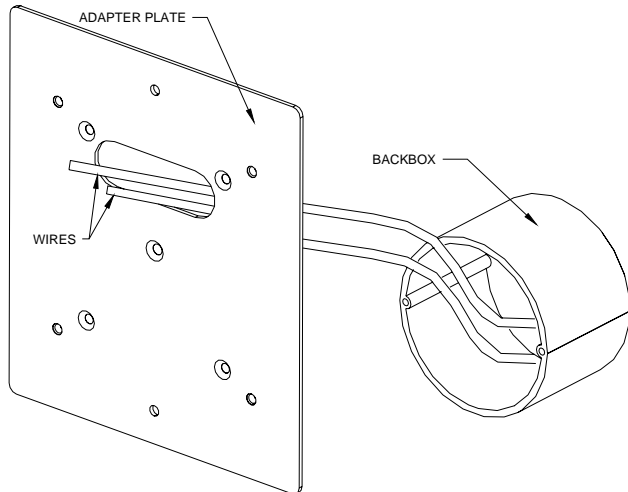
DESCRIPTION	PART NUMBER	QUANTITY
Metal, Plate, Adapter	2022080	1
Screw M3.5 x 25mm, Flat, Phil	2023756	1
Screw, 8-32, 3/8", Pan, Phil	2007269	4
Terminal Block, 2 Position, Single Row	2023704	1
Terminal Block, 3 Position, Single Row	2023705	1

Preparation

The GLA-PWSI50 comes with an adapter plate for mounting the power supply on a BS4662 UK backbox or a 1- or 2-gang DIN 49073 backbox.

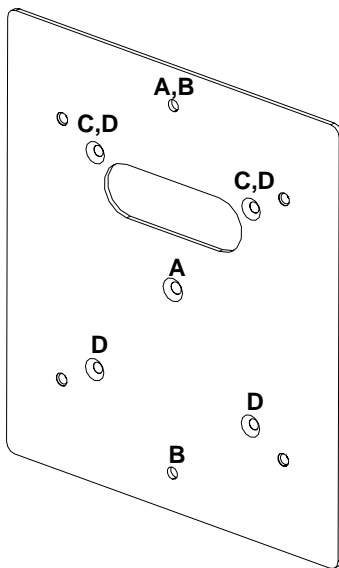
1. Route the line and control wires from the backbox through the opening on the adapter plate as shown in the following diagram.

Route Wires Through Adapter Plate (1-Gang DIN 49073 Backbox Shown)



2. Secure the adapter plate to the backbox. Refer to the following diagram and table to determine which holes and screws to use.

Adapter Plate Holes



Adapter Plate Usage

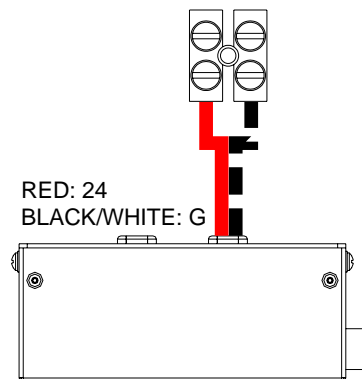
LOC.	USE WITH	SCREW TYPE/QUANTITY
A	1-GANG BS 4662 UK BACKBOX	Top: (1) M3.5 (Not Supplied) Bottom: (1) M3.5x25 (Supplied)
B	2-GANG BS 4662 UK BACKBOX	(2) M3.5 (Not Supplied)
C	1-GANG DIN 49073 BACKBOX	(2) M3 (Not Supplied)
D	2-GANG DIN 49073 BACKBOX	(4) M3 (Not Supplied)

Hardware Hookup

WARNING: RISK OF SERIOUS PERSONAL INJURY. Turn off power at the circuit breaker(s) prior to installation. Installing with power on can result in serious personal injury and damage to the device.

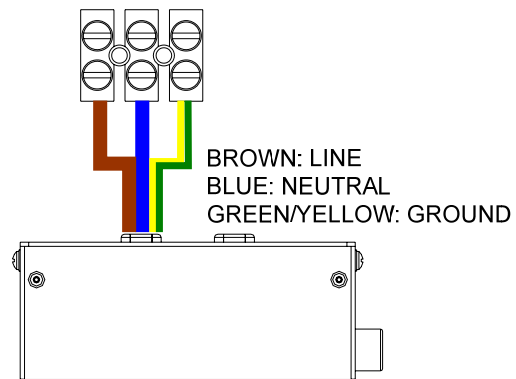
1. Use the included 2-position terminal block to connect the Class 2 wiring to the Cresnet network as shown in the following diagram.

Connect Class 2 Wiring (High Voltage Wiring Removed for Clarity)



2. Use the included 3-position terminal block to connect the line input wires to the line power as shown in the following diagram.

Connect High Voltage Wiring (Class 2 Wiring Removed for Clarity)

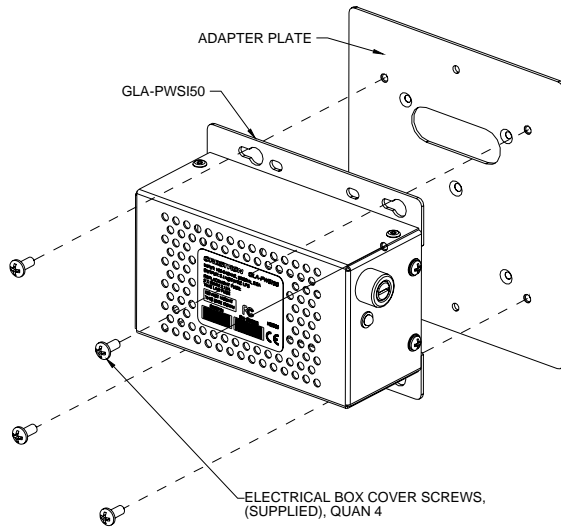


Installation

The GLA-PWSI50 mounts to the adapter plate using the four included screws. Refer to the following diagram when installing the GLA-PWSI50.

NOTE: Ensure that the wires will not be pinched during the installation process by pushing the wires into the backbox.

Install GLA-PWSI50 (Wires Removed for Clarity)



NOTE: The GLA-PWSI50 should never be installed with the label facing down.

- To ensure proper ventilation, do not cover the ventilation holes on the front of the unit.
- Turn on the circuit breaker after completing installation. The green LED will illuminate

Fuse Replacement

If the GLA-PWSI50 does not power up when it is connected to line power, the fuse may need to be replaced. The fuse holder is located on the right side of the power supply (next to the LED). To replace the fuse:

1. Disconnect power to the GLA-PWSI50.
2. Use a flat-head screwdriver to push in the fuse holder.
3. While pushing in the fuse holder, turn screwdriver counterclockwise until the fuse holder pops out.
4. Remove the fuse from the fuse holder and insert a new fuse.

CAUTION: Only use the specified type of fuse when replacing a blown fuse. Failure to do so may cause damage to the GLA-PWSI50.

FUSE TYPE: 5 x 20mm 3.15A Time Lag

5. Insert the fuse holder into the GLA-PWSI50.
6. Push in the fuse holder with a flat head screwdriver. While pushing in the fuse holder, turn the screwdriver clockwise until the fuse holder sinks in.
7. Push in the fuse holder a little further and turn the screwdriver clockwise until the fuse holder locks in place.
8. Connect power to the GLA-PWSI50.

Problem Solving

Troubleshooting

The following table provides corrective action for possible trouble situations. If further assistance is required, please contact a Crestron customer service representative.

GLA-PWSI50 Troubleshooting

TROUBLE	POSSIBLE CAUSE(S)	CORRECTIVE ACTION
LED does not turn on.	Circuit breaker is off.	Verify that circuit breaker is on.
	Fuse is blown.	Check fuse and replace if necessary.
	GLA-PWSI50 is not properly connected.	Verify wiring.

Further Inquiries

If you cannot locate specific information or have questions after reviewing this guide, please take advantage of Crestron's award winning customer service team by calling Crestron at 1-888-CRESTRON [1-888-273-7876].

You can also log onto the online help section of the Crestron website (www.crestron.com/onlinehelp) to ask questions about Crestron products. First-time users will need to establish a user account to fully benefit from all available features.

Return and Warranty Policies

Merchandise Returns / Repair Service

1. No merchandise may be returned for credit, exchange or service without prior authorization from CRESTRON. To obtain warranty service for CRESTRON products, contact an authorized CRESTRON dealer. Only authorized CRESTRON dealers may contact the factory and request an RMA (Return Merchandise Authorization) number. Enclose a note specifying the nature of the problem, name and phone number of contact person, RMA number and return address.
2. Products may be returned for credit, exchange or service with a CRESTRON Return Merchandise Authorization (RMA) number. Authorized returns must be shipped freight prepaid to CRESTRON, 6 Volvo Drive, Rockleigh, N.J. or its authorized subsidiaries, with RMA number clearly marked on the outside of all cartons. Shipments arriving freight collect or without an RMA number shall be subject to refusal. CRESTRON reserves the right in its sole and absolute discretion to charge a 15% restocking fee plus shipping costs on any products returned with an RMA.
3. Return freight charges following repair of items under warranty shall be paid by CRESTRON, shipping by standard ground carrier. In the event repairs are found to be non-warranty, return freight costs shall be paid by the purchaser.

CRESTRON Limited Warranty

CRESTRON ELECTRONICS, Inc. warrants its products to be free from manufacturing defects in materials and workmanship under normal use for a period of three (3) years from the date of purchase from CRESTRON, with the following exceptions: disk drives and any other moving or rotating mechanical parts, pan/tilt heads and power supplies are covered for a period of one (1) year; touchscreen display and overlay components are covered for 90 days; batteries and incandescent lamps are not covered.

This warranty extends to products purchased directly from CRESTRON or an authorized CRESTRON dealer. Purchasers should inquire of the dealer regarding the nature and extent of the dealer's warranty, if any.

CRESTRON shall not be liable to honor the terms of this warranty if the product has been used in any application other than that for which it was intended or if it has been subjected to misuse, accidental damage, modification or improper installation procedures. Furthermore, this warranty does not cover any product that has had the serial number altered, defaced or removed.

This warranty shall be the sole and exclusive remedy to the original purchaser. In no event shall CRESTRON be liable for incidental or consequential damages of any kind (property or economic damages inclusive) arising from the sale or use of this equipment. CRESTRON is not liable for any claim made by a third party or made by the purchaser for a third party.

CRESTRON shall, at its option, repair or replace any product found defective, without charge for parts or labor. Repaired or replaced equipment and parts supplied under this warranty shall be covered only by the unexpired portion of the warranty.

Except as expressly set forth in this warranty, CRESTRON makes no other warranties, expressed or implied, nor authorizes any other party to offer any warranty, including any implied warranties of merchantability or fitness for a particular purpose. Any implied warranties that may be imposed by law are limited to the terms of this limited warranty. This warranty statement supersedes all previous warranties.

Trademark Information

All brand names, product names and trademarks are the sole property of their respective owners. Windows is a registered trademark of Microsoft Corporation. Windows95/98/Me/XP/Vista and WindowsNT/2000 are trademarks of Microsoft Corporation.

This page is intentionally left blank.

Free Manuals Download Website

<http://myh66.com>

<http://usermanuals.us>

<http://www.somanuals.com>

<http://www.4manuals.cc>

<http://www.manual-lib.com>

<http://www.404manual.com>

<http://www.luxmanual.com>

<http://aubethermostatmanual.com>

Golf course search by state

<http://golfingnear.com>

Email search by domain

<http://emailbydomain.com>

Auto manuals search

<http://auto.somanuals.com>

TV manuals search

<http://tv.somanuals.com>