

# ***Operator's Manual***

***Post Hole Digger***

---

# ***PHD200***

Cub Cadet Yanmar LLC.  
P.O. Box 368023  
Cleveland, OH 44136

PRINTED IN U.S.A.

Version 1.0

Code No.:769-03319



# SAFETY

Take note! This safety alert symbol found throughout this manual is used to call your attention to instructions involving your personal safety and the safety of others. Failure to follow these instructions can result in injury or death.



*This symbol means:  
ATTENTION!  
BECOME ALERT!  
YOUR SAFETY IS INVOLVED!*

## Signal Words

Note the use of the signal words DANGER, WARNING and CAUTION with the safety messages. The appropriate signal words for each has been selected using the following guidelines:



**DANGER:** Indicates an imminently hazardous situation that, if not avoided, will result in death or serious injury.



**WARNING:** Indicates a potentially hazardous situation that, if not avoided, could result in death or serious injury, and includes hazards that are exposed when guards are removed. It may also be used to alert against unsafe practices.



**CAUTION:** Indicates a potentially hazardous situation that, if not avoided, may result in minor or moderate injury.

# INDEX

<b>1 - GENERAL INFORMATION</b>	5
1.01 - General	5
1.02 - Model and Serial Number ID	5
<b>2 - SAFETY PRECAUTIONS</b>	7
2.01 - Preparation	7
2.02 - Starting and Stopping	11
2.03 - Messages and Signs	11
<b>3 - OPERATION</b>	13
3.01 - Setup	14
<b>4 - MAINTENANCE</b>	17
4.01 - Maintenance Safety	17
4.02 - Service	17
4.03 - Driveline	18
4.04 - Equipment Specification	19
<b>5 - SUGGESTED SPARE PARTS</b>	20
5.01 - Storage	20
<b>6 - TROUBLESHOOTING</b>	21
<b>7 - PRE-DELIVERY CHECKLIST</b>	22
<b>8 - PARTS MANUAL</b>	24

# 1 - GENERAL INFORMATION

Thank you and congratulations for having chosen our implement. Your new Post Hole Digger is a technologically advanced machine constructed of high quality, sturdy components and will fulfill your working expectations.

Read this manual carefully. It will instruct you on how to operate and service your machine safely and correctly. Failure to do so could result in personal injury and or equipment damage.

## 1.01 - General



**CAUTION:** All hardware is metric. Only metric tools should be used. Other tools that do not fit properly can slip and cause injury.



**CAUTION:** Right hand and left hand sides of the implement are determined by facing in the direction the implement will travel when going forward.

## 1.02 - Model and Serial Number ID

Attached to the frame is an ID plate showing the model and the serial number. Record your implement model and serial number in the space provided below. Your local dealer needs this information to give you prompt, efficient service when you order parts.

<b>Model #:</b>	<input type="text"/>
<b>Serial #:</b>	<input type="text"/>

**Carefully read the warranty section<sup>1</sup>** detailing coverage and limitations. **Warranty** is provided for customers who operate and maintain their equipment as described in this manual. Warranty registration is accomplished by the dealer by completing and forwarding the **Warranty Registration Form** to the Company, along with a copy of the invoice. It is in your best interest to insure that this has been done.

---

<sup>1</sup> See chapter 8 - Warranty.

Warranty does not cover the following:

1. Cleaning, transporting, mailing and service call charge.
2. Normal wear items such as blades, bearings, wheels, drivelines, shear pin, slip clutches etc.
3. Depreciation or damage caused by normal wear, accidents, improper maintenance, improper protection or improper use.
4. The use of non original spare parts and accessories.

Your local dealer has or can supply genuine parts. **Only these approved replacement parts should be used.**

This limited warranty covers defective material and workmanship. The cost of normal maintenance or repairs for accidents or improper use and related labor will be borne by the owner.

## 2 - SAFETY PRECAUTIONS

Safety is the primary concern in the design and manufacture of our products. Unfortunately our efforts to provide safe equipment can be wiped out by a single careless act of an operator.

In addition to the design and configuration of equipment, hazard control and accident prevention are dependent upon the awareness, concern, prudence and proper training of personnel involved in the operation, transport, maintenance and storage of equipment.

It is the operator's responsibility to read and understand all safety and operating instructions in the manual and to follow these.

Allow only properly trained personnel to operate the post hole digger. Working with unfamiliar equipment can lead to careless injuries. Read this manual, and the manual for your tractor, before assembly or operating, to acquaint yourself with the machines. It is the post hole digger owner's responsibility, if this machine is used by any person other than yourself, is loaned or rented, to make certain that the operator, prior to operating, reads and understands the operator's manuals and is instructed in safe and proper use.

### 2.01 - Preparation



#### IMPORTANT!

Working with unfamiliar equipment can lead to careless injuries. Read this manual, and the manual for your tractor, before assembly or operating, to acquaint yourself with the machine. **IT IS THE POST HOLE DIGGER OWNERS RESPONSIBILITY, IF THIS MACHINE IS USED BY ANY PERSON OTHER THAN YOURSELF, IS LOANED OR RENTED, TO MAKE CERTAIN THAT THE OPERATOR, PRIOR TO OPERATING:**

- 1. READS AND UNDERSTANDS THE OPERATOR'S MANUAL.**
- 2. IS INSTRUCTED IN SAFE AND PROPER USE.**

**The majority of accidents involve entanglement on the driveline or auger. This entanglement becomes greater when you replace our shearbolts or auger retaining bolts with bolts longer than those specified by the manufacturer. This improper replacement occurs most often on machines that are loaned or rented to someone who has not read the operator's manual and is not familiar with a Post Hole Digger.**

- ◆ This Post Hole Digger was designed for one-man operation from the tractor seat. It is the responsibility of the operator to see that no one is within twenty-five feet (25') of the digger when it is started. Do not operate the digger with another person near, or in contact with, any part of the digger, PTO driveline, or auger. Serious personal injury or death may result if any attempt is made to assist digger operation by hand.

- ♦ The use of this equipment is subject to certain hazards which cannot be protected against by mechanical means or product design. All operators of this equipment must read and understand this entire manual, paying particular attention to safety and operating instructions prior to using. If there is something in the manual which you do not understand, ask your supervisor, or your dealer to explain it to you.
- ♦ Most accidents occur because of neglect or carelessness. Keep all helpers and bystanders twenty-five feet (25') away from the operating digger. Only properly trained people should operate this machine. It is recommended the tractor be equipped with a Rollover Protection System (ROPS) and a seat belt. Always stop the PTO, set brake, shut off the tractor engine, remove the tractor key, allow auger to come to a complete stop before dismounting tractor. Never leave equipment unattended with the tractor running. Please remember it is important that you read and heed the safety signs on the digger and the safety rules set forth. Clean or replace all safety signs if they cannot be clearly read and understood. They are there for your safety, as well as the safety of others. The safe use of this machine is strictly up to you, the operator.
- ♦ All things with moving parts are potentially hazardous. There is no substitute for a cautious, safe-minded operator who recognizes potential hazards and follows reasonable safety practices. The manufacturer has designed this digger to be used with all its safety equipment properly attached, to minimize the chance of accidents. Study this manual to make sure you have all safety equipment attached.
- ♦ If a safety shield is removed for any reason, it must be replaced before the machine is again operated. Always use and maintain in place, all power take off guards furnished with the tractor as well as the power take off guards and shields furnished with the digger. **Ensure the anti-rotation chain is secured to the hole in the driveline guard.**
- ♦ This digger is designed for use only on tractors with a 540 RPM power take off.
- ♦ When use of hand tools are required to perform any part of assembly, installation, adjustment, maintaining, repairing, removal, or moving the digger, be sure the tools used are designed and recommended by the tool manufacturer for the specific task.
- ♦ Personal protection equipment including hard hat, safety glasses, safety shoes, and gloves are recommended during assembly, installation, operation, adjustment, maintaining, repairing, removal, or moving the digger. Do not allow long hair, loose fitting clothing or jewelry to be around moving parts.
- ♦ Always use two people to handle heavy, unwieldy components during assembly, installation, removal, or moving the digger.



- ◆ Never place any part of your body where it would be in danger if movement should occur during assembly, installation, operation, maintaining, repairing, removal, or moving the digger.
- ◆ Never place yourself between the tractor and the digger while the implement is in operation.
- ◆ Do not walk or work under a raised digger or attachment unless it is securely blocked or held in position. Do not depend on the tractor hydraulic system to hold the implement or attachment in place.
- ◆ A heavy load can cause instability of the tractor. Use extreme care during travel. Slow down on turns and watch out for bumps. The tractor may need front counterweights to counter balance the weight of the digger.
- ◆ Never use alcoholic beverages or drugs which can hinder alertness or coordination while operating this equipment. Consult your doctor about operating this machine while taking prescription medications.
- ◆ Do not allow riders on the digger or tractor at any time. There is no safe place for riders.
- ◆ Before you operate the digger, check over all pins, bolts, and connections to be sure all are securely in place. Replace any damaged or worn parts immediately.
- ◆ Consult local utility companies to make certain there are no buried gas lines, electrical cables, etc., in the work area before beginning operation.
- ◆ Do not allow anyone who is not familiar with the safety rules and operation instructions to use this Post Hole Digger.
- ◆ Never allow children to operate or be around this digger.
- ◆ Use stabilizer bars, adjustable sway chains, or sway blocks on your tractor lift arms to keep the Post Hole Digger from swinging side to side. Adjust as tightly as practical for best performance.
- ◆ Never replace the shear bolt or auger retaining bolt with any length other than what is specified in this manual. A longer or protruding fastener is more likely to grab loose clothing or gloves which can result in serious injury or death.
- ◆ Clear the work area of objects which might be picked up and thrown or entangled in the auger.
- ◆ To prevent possible rapid wear of U-joints and possible failure of drivelines, never lift auger more than 12" off the ground with PTO operating.

- ◆ To prevent possible instantaneous driveline failure, never move digger from hole-to-hole or transport while auger is rotating. This could lead to injury from flying pieces of the failed driveline.
- ◆ Do not operate digger on steep hillsides. When digging on uneven or hilly terrain, position the tractor with the Post Hole Digger up hill. With the Post Hole Digger downhill, the tractor could tip when attempting to pull the auger from it's hole.
- ◆ Never position the auger point by hand or with any tool when the tractor is running.
- ◆ Never position the auger point by putting your hands on the auger, gearbox, boom, or driveline.
- ◆ Keeps hands, feet, hair, jewelry, and clothing, away from all moving and/or rotating parts.
- ◆ To prevent entanglement and possible serious injury or death, never use body weight to try to push auger into the ground.
- ◆ Worn edges or a slightly rounded point can seriously effect auger penetration. Check for wear before each use. Replace as necessary.
- ◆ Do not shovel dirt away from a rotating auger as the shovel can be caught and thrown by the auger.
- ◆ Do not operate the Post Hole Digger without all safety shields and guards in place.
- ◆ Always use care when operating a Post Hole Digger.

Safety is a primary concern in the design, manufacture, sale, and use of Post Hole Diggers. As manufacturers of Post Hole Diggers, we want to confirm to you, our customers, our concern for safety.

Our current production machines include, as standard equipment, guards or shields for auger adapters, drivelines, input shafts, and safety signs. Older machines can be retrofited to add these new guards or shields and, of course, safety signs. If you have an older machine which does not have current standard safety equipment, please contact your dealer about bringing your machine up to the current level of safety

## 2.02 - Starting and Stopping



1. Be sure that no one is near the machine prior to engaging or while the machine is working.
2. Be sure the tractor is in "Neutral" before starting engine.
3. Post hole digger operating power is supplied from tractor PTO. Refer to your tractor manual for PTO engagement and disengagement instructions. Always operate PTO at 540 rpm. Know how to stop the tractor and post hole digger quickly in case of an emergency.
4. When engaging PTO, the engine rpm should always be low. Once engaged and ready to start using, raise PTO speed to 540 rpm and maintain throughout operation.
5. Check the tractor master shield over the PTO stub shaft. Make sure it is in good condition and fastened securely to the tractor. Purchase a new shield if old shield is damaged or missing.
6. After striking an obstacle, disengage the PTO, shut the tractor down and thoroughly inspect for damage before restarting.
7. Never engage the PTO until the post hole digger is in the down position and resting on the ground. Never raise the post hole digger until the rotor has come to a complete stop.

## 2.03 - Messages and Signs



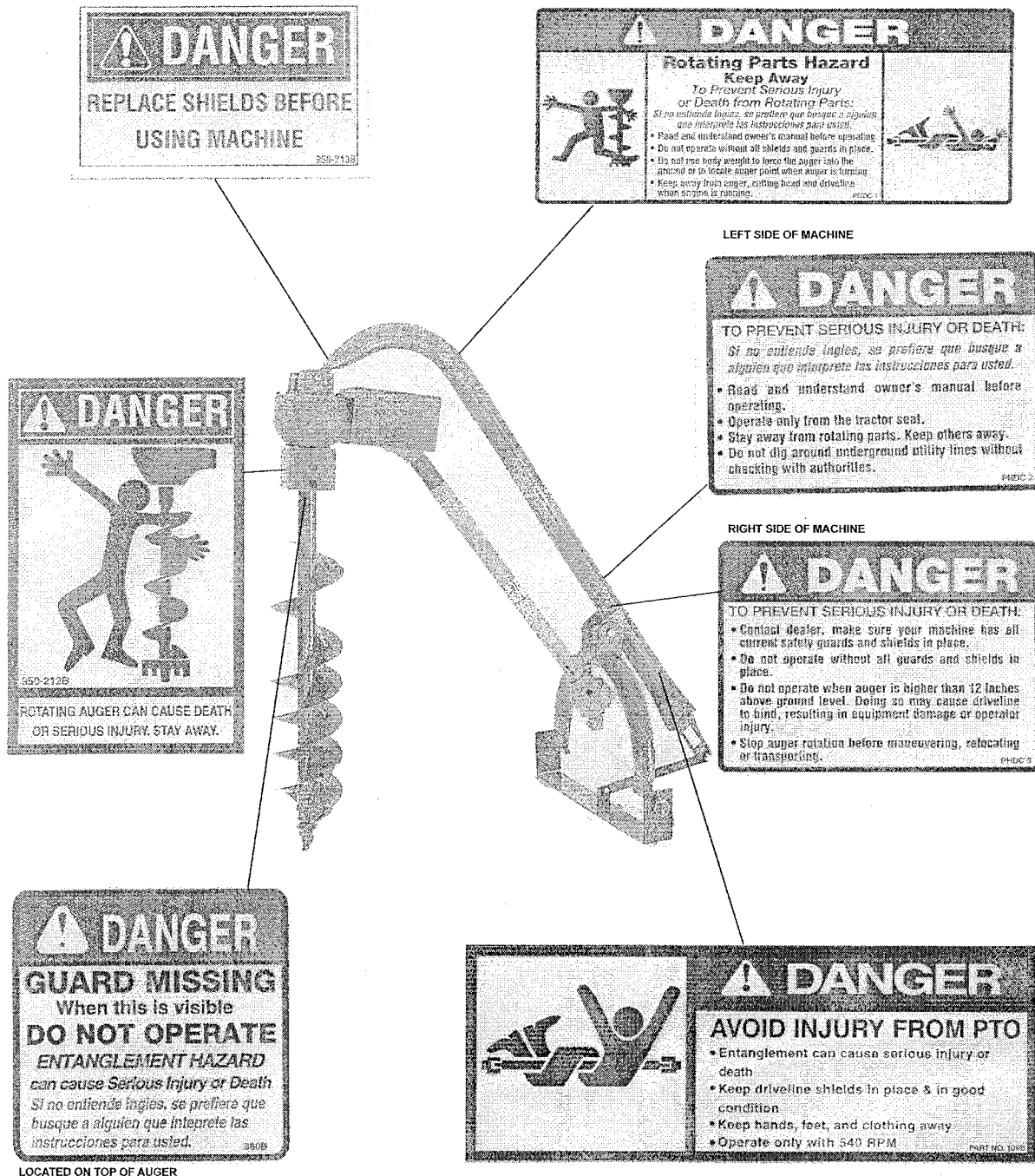
1. Read and adhere to all safety and operating decals on this machine (**see fig. 2**).
2. Before dismounting tractor: allow moving parts to stop, stop engine, set brake and remove the key of unattended equipment.
3. Keep away from rotating blades and driveline.
4. Keep guards and shields in place and in good condition.
5. Do not use with bystanders in area.
6. Allow no riders on tractor.
7. Allow moving parts to stop before repair.
8. Securely support post hole digger before working underneath.

Additional warning and operating decals are available at no extra charge. Please specify model and serial number when ordering.

Fig. 2 - Safety decals; replace immediately if damaged.



Observe and follow all safety signs. Never operate the machine near people or pets. Replace any missing or damaged safety labels. Replacement labels are available. Please specify model and serial number when ordering.



### 3 - OPERATION

This Post Hole digger was designed for one-man operation from the tractor seat. It is the responsibility of the operator to see that no one is within twenty-five feet(25') of the digger when it is started.

- ◆ Set tractor brakes.
- ◆ Take tractor out of gear
- ◆ Lower auger point slowly to the ground with the PTO disengaged.
- ◆ With the auger point lowered to the ground, set the engine speed to idle, then engage the PTO. Make sure the auger point is on the ground before engaging the PTO
- ◆ Increase the speed as required so dirt is conveyed from the hole. Refer to the tractor's operator's Manual for suggestions on PTO speed.
- ◆ Under no circumstances should the PTO be run in excess of 540 RPM.
- ◆ In many types of soil, it may be necessary to hold back against the auger screw suction by moving the hydraulic control lever to "HOLD" or "RAISE" position to keep the auger from screwing into the ground.
- ◆ Never use body weight to help the auger penetrate the ground. When the ground is too tough to penetrate with your cutting edges and point, replace them and try again. These are replaceable parts and must be in good condition to penetrate.
- ◆ If you have difficulty penetrating hard ground, refer to the troubleshooting section of this manual. When the auger has been lowered a foot or so into the ground, raise the auger almost out of the hole to clear the dirt, then drill deeper and raise the auger again. Repeat this procedure until the desired hole depth is reached.
- ◆ Do not shovel dirt away from a rotating auger as the shovel can be caught and thrown by the auger.
- ◆ Leave the power take off disengaged when traveling between holes.

**IT IS ESSENTIAL THAT EVERYONE INVOLVED IN THE ASSEMBLY, OPERATION, TRANSPORT, MAINTENANCE, AND STORAGE OF THIS EQUIPMENT BE AWARE, CONCERNED, PRUDENT, AND PROPERLY TRAINED IN SAFETY.**



**CAUTION:** Our post hole diggers are designed considering safety as the most important target and are the safest available in today's market. Unfortunately, human carelessness can override the safety features built into our machines. Injury prevention and work safety, aside from the features on our post hole diggers, is very much due to the responsible use of the equipment. It must always be operated prudently following with great care, the safety instructions laid out in this manual.

### 3.01 - Setup

On page 15 you will find the assembly instructions for you post hole digger. Please read all the the safety information listed below prior to assembly.



#### DANGER

Only use the original driveline supplied with this implement, and always with the safety shielding.



#### CAUTION

**This machine is equipped with a shear bolt** for the protection of the PTO and gearbox. **NEVER** replace the shear bolt with anything harder than a no. grade 2 bolt. All warranties will be **void** if a bolt harder than a no. grade 2 is used.



#### DANGER

Do not install a longer bolt or fastener. A protruding fastener is more likely to grab loose clotching and can cause serius injury or death.

Below is a list of the items included in shipment of the post hole digger:

**1 Boom Assembly**

**1 Yoke**

Complete with:           1 - 1" x 6" pin  
                                  1 - Lynch pin

**1 Gearbox**

Complete with:           1 - 3/4" pin  
                                  2 - Hairpin cotter  
                                  1 - Gearbox Guard  
                                  1 - Auger Guard

**1 PTO Shaft**

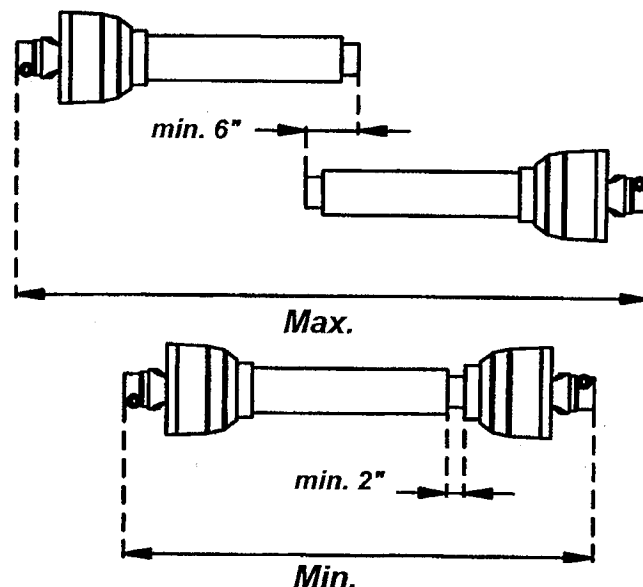
**1 Hardware bag complete with the following and attached to gearbox pin:**

1 - Set screw with hex nut  
1 - 3/8" x 3" grade 2 bolt (PHD-200)  
1 - 3/8" locknut (PHD-200)  
2 - 12 x 90 bolts  
2 - 12mm hexnuts  
2 - 12mm lockwashers

**Step 1:**Layout all parts to be assembled. Attach gearbox to boom assembly by using 3/4" pin and cotter pins.

- Step 2:** Connect boom assembly to top link hitch of tractor.
- Step 3:** Attach yoke to the boom assembly by using 1"x 6" pin and lynch pin provided. Then connect yoke to lower lift links of tractor.
- Step 4:** Remove gearbox guard
- Step 5:** Use tractor's hydraulic lift to raise boom. Separate the 2 driveline halves. Connect one half to tractor PTO by pushing in the quick detachment pin and sliding driveshaft onto tractor. Connect other half to digger by using the 3/8" x 3" grade 2 bolt and locknut. Raise the implement (**without the auger attached**) with 3 point hitch to find **highest WORKING position**. Hold half shafts side by side. At that point the driveline should have at least 6 inches of overlap. If not, do not use and contact your dealer. Next lower the implement to the **lowest WORKING position**. Hold the half shafts side by side. At that point the driveline should be at least 2 inches from bottoming out. If not, mark desired lengths on both shafts (see Fig. 1). Remove drivelines from implement and tractor. Shorten both metal drive tubes the same amount. Cut both guard tubes 1 1/2" shorter than the metal drive tubes. De-burr and clean filings from drive tubes and apply grease to outside of inner metal drive tube. Reassemble driveline halves and reconnect to tractor and digger. Raise and lower digger again to be sure driveline does not bottom out in its shortest position and has the minimum 6" overlap.
- Step 6:** The safety set screw must be screwed into PTO shaft (see parts diagram for clarification) completely into the groove on input shaft of the gearbox. Then backout set screw 1/4 turn and secure with hex nut.
- Step 7:** Attach auger to gearbox by using two M12x 90 bolts, lockwashers and hexnuts.
- Step 8:** Reinstall gearbox guard.

Fig. 1



### 3.02 PREPARATION PROCEDURE

- ◆ Thoroughly read and understand your Operator's Manual.
- ◆ Before beginning operation, clear area of objects that could wrap around the auger or might be thrown. Contact local utility companies to make certain there are no bundled gas lines, electrical cables, etc., in the work area. Check for ditches, stumps, holes, or other obstacles that could cause the tractor to roll.
- ◆ Layout and mark where you want to dig your holes.
- ◆ **ALL** persons should be at least twenty-five feet (25') away. Clear the area of helpers, bystanders, especially children.
- ◆ Do not allow anyone to stand behind or to the side of a rotating auger.
- ◆ To dig properly, your digger must be able to raise or lower through the highest and lowest points of your lift arm travel without binding against the tractor frame. Check carefully **BEFORE** attaching the auger. If it does bind, adjust the tractor 3-point linkage so that all movement is free.

If you have **any** questions regarding the proper assembly or operation of this digger, contact your dealer or the manufacturer



## 4 - MAINTENANCE

Proper maintenance and service will avoid expensive repairs and down time. Also this maintenance and service will extend the life of your machine for many years.

### 4.01 - Maintenance Safety



#### Warning

Prior to beginning any maintenance or service, ensure that the PTO has been disengaged and the tractor has been shut off and the key removed.

The following items need to be adhered to when performing maintenance or service:

- ◆ Before working under or around equipment ensure that it has been securely blocked.
- ◆ Adhere to all safety decals.
- ◆ No one should perform any service or maintenance until they have been properly trained on the safe use of this equipment.

### 4.02 - Service

Inspect the auger's cutting teeth and auger point for excessive wear once a day for the best digging results. The amount of wear will depend on the soil type and soil condition. Clean the auger teeth after each day's use to insure a longer machine life.

The implement should be checked for loose, worn or damaged teeth, points, etc. as well as any worn or damaged hardware.

The shearbolt should be properly maintained at all times. A faulty shear bolt can inflict extreme damage to the implement. A grade 2 shear bolt that measures 3/8" x 3"

should always be used on models PHD-200. Never replace the shearbolt with any bolt longer or of a harder grade.

Grease the PTO universals before each day's use.

Check the gearbox oil level after every 50 hours (SAE 90 oil).

Check the oil by removing the oil plug on the back side of the gearbox casing (see the parts diagram). The oil should be up to the bottom threads of the hole. The capacity of the gearbox is 1.9 liters (4 pints) of SAE 90 oil.

Replace the gearbox oil after the first 200 hours of use. (SAE 90 oil)

Contact your CUB CADET YANMAR dealer for genuine replacement parts as needed.

### **4.03 - Driveline**



**DANGER:** Only use the original driveline supplied with this post hole digger and always with the safety shielding in place.

Carefully read and file away the driveline operator's manual supplied by the manufacturer. The following does not substitute the information found in the driveline manual.

### 4.04 - Equipment Specification

#### TORQUE SPECIFICATIONS

Diameter	Class 8.8		Class 10.9	
	N.m	lb.ft	N.m	lb.ft
M 8	25	18	35	26
M 10	50	37	70	52
M 12	90	66	125	92
M 14	140	103	200	148
M 16	215	155	305	225
M 18	295	217	420	309
M 20	420	302	590	438

When using locking nuts, increase torque values by 5%.

**Tractor Requirements:** 18HP to 90HP 540 rpm.  
Category 1 hitch

#### POST HOLE DIGGER

Model	Boom O.D.	Yoke O.D.	Output	Gear Ratio	Weight
PHD200	3 1/2"	2 7/8"	180 rpm	3:1	170 lbs.

#### AUGER

Size	I.D.	Length	Weight	Type	Thickness
9"	2"	48"	55 lbs.	Double	3/16"
12"	2"	48"	75 lbs.	Double	3/16"

## 5 - SUGGESTED SPARE PARTS

It is suggested that the following spare parts be kept on hand all times to prevent a minor problem from delaying work:

Description	Quantity
Auger Point	1
Auger Teeth	4
Shearbolt	1
Hanger Pin	1

### 5.01 - Storage

After seasonal use it is important to perform the following for prolonged storage:

1. wash the post hole digger carefully.
2. Inspect the machine, replace worn and damaged parts.
3. Tighten all hardware. Grease or oil all areas indicated under maintenance.
4. Cover the post hole digger from the elements in order to have it in perfect condition for the start of the next season.

## 6 - TROUBLESHOOTING



**WARNING:** Stop engine and allow the post hole digger blades to come to a complete stop before making any adjustments or repairs on the post hole digger.

PROBLEM	POSSIBLE CAUSE	SOLUTION
Auger won't Dig	Dull or worn teeth	Replace teeth
	Dry or hard ground	Add water to location where hole is desired
	Auger turning rapidly and bouncing around	Reduce engine speed and never operate above 540 rpm
	Auger is be held by rocks and other interferences	Remove auger form hole and check
	Shearbolt broken	Replace shearbolt
Auger won't dig deep enough	Something may be interfering with the downward motion of the digger. Most likely the driveline may be to long.	Remove digger from hole and lower to the ground. The gearbox should be able to touch the ground. If not remove driveline and shorten. Always maintain a minimum of 6" overlap of the PTO shafts
Auger Screws itself into the ground	The 3 point hitch was not lowered to the ground slow enough	Remove from hole and begin again but lower tthe 3 point to the ground slowly
	Tractor is too small to handle digger	Use a larger tractor
	Faulty 3 point hitch on the tractor	Remove from hole and carefully remove the digger from the tractor Have the tractor serviced at your tractor dealership
Driveshaft falls off gearbox when shearbolt breaks	Set screw may be loose or missing off of Driveshaft	Check set screw and replace or tighten as needed. Follow instruction on page 11

## 7 - PRE-DELIVERY CHECKLIST

**To the dealer: Inspect the machine thoroughly after assembly to assure it is functioning properly before delivering it to the customer. The following checklist is a reminder of points to cover. Check off each item as it is found satisfactory or after proper adjustment is made.**

- Gearbox oil level.
- Guards and shield properly fastened.
- Lubrication of grease fittings.
- All hardware properly tightened.
- All decals properly located and readable (**see fig. 2**).
- Overall condition (touch up scratches, clean and polish).
- Test run, check for excessive vibrations or overheating of bearings.
- Operator's Manual.

**Review the operator's manual with the customer. Explain the following:**

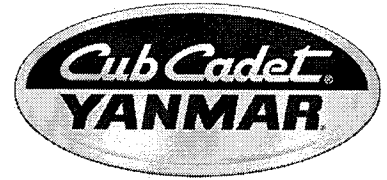
- Warranty.
- Safe operation and service.
- Correct machine installation and operation.
- Daily and periodic lubrication, maintenance and inspections.
- Troubleshooting
- Operational procedures and storage.
- Parts and service.
- Remove and fill out the Delivery and Warranty Registration form.
- Give customer the operator's manual and encourage the customer to read the manual carefully.

**IMPORTANT: Warranty is not valid unless Delivery and Warranty Registration Form in operator's manual is completed in detail and mailed to the Company.**

Model Number: \_\_\_\_\_ Serial Number: \_\_\_\_\_

Delivery Date: \_\_\_\_\_ Dealer's Signature: \_\_\_\_\_





## 8 - PARTS MANUAL

# Post Hole Digger with 9" Auger

---

# ***PHD200***

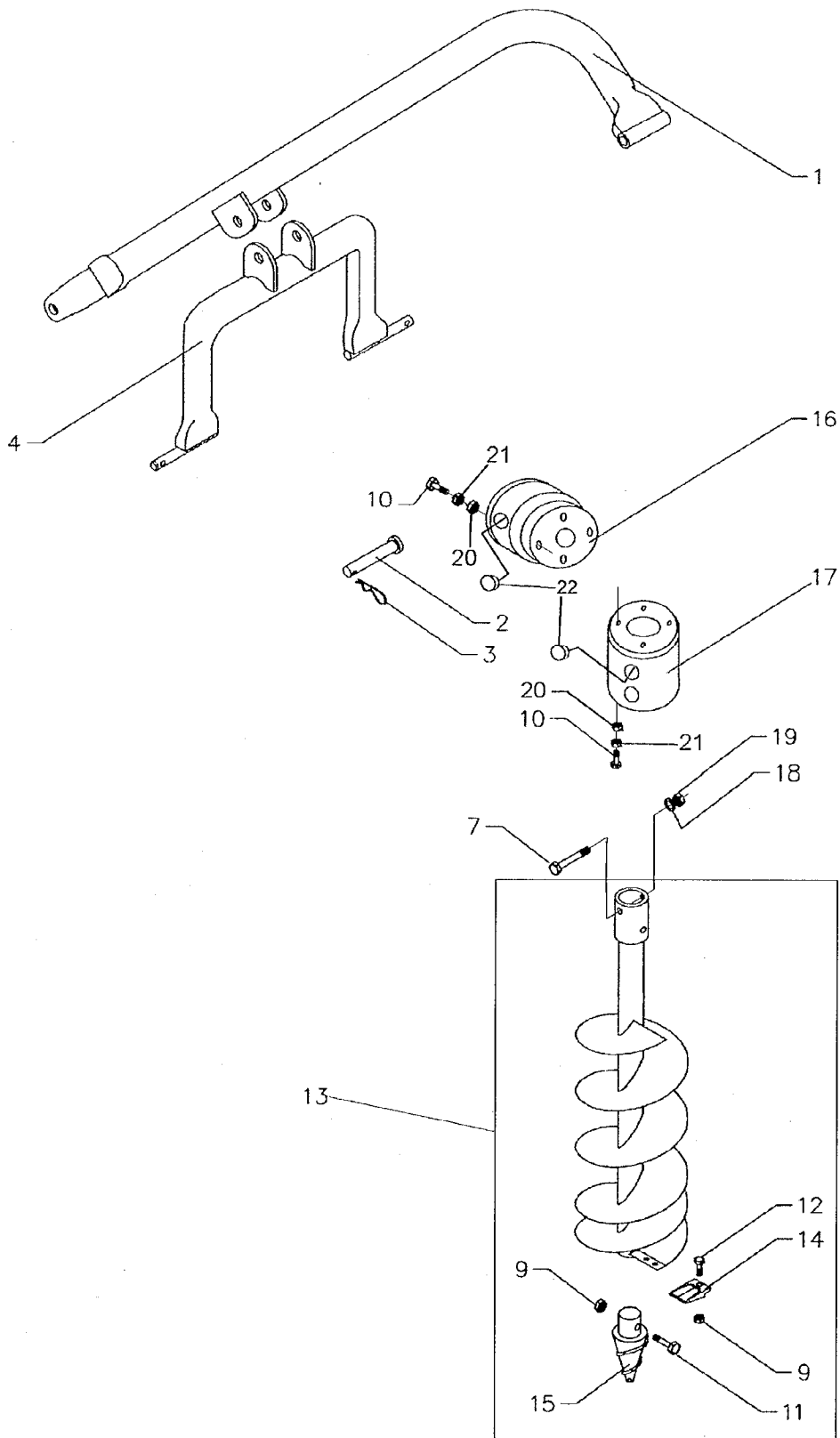
Cub Cadet Yanmar LLC.  
P.O. Box 368023  
Cleveland, OH 44136

PRINTED IN U.S.A.

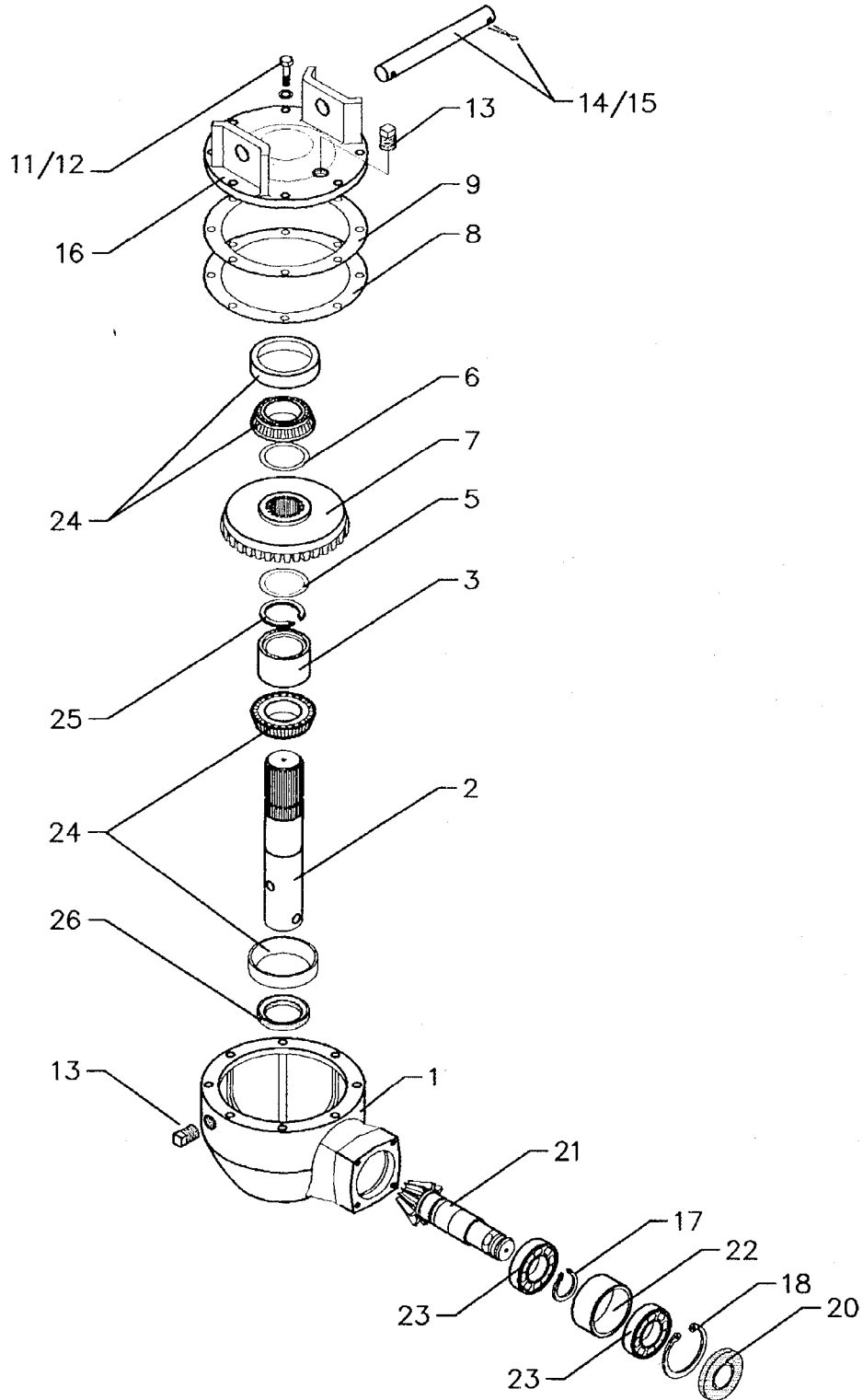
Version 1.0

Code No.:769-03319

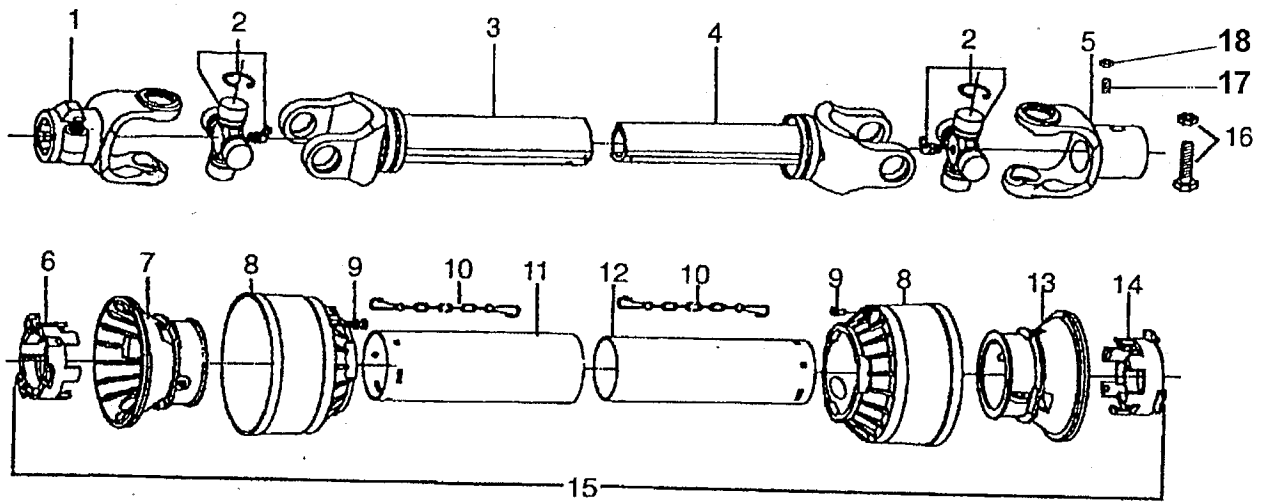




Ref.	Part #	Part Description	Qty.
1	501-534B	BOOM ASSEMBLY	1
2	501-544B	1" X 6" PIN	1
3	009-1507	HAIRPIN COTTER	1
4	501-535B	YOKE	1
7	001-5122	BOLT 12 X 90	2
9	002-1105	STOVER NUT M12	
		9" AUGER	3
		12" AUGER	5
10	503-869B	BOLT 5/16" X 3/4"	6
11	009-1495	BOLT M12X80	1
12	001-5255	BOLT M12X30	
		9" AUGER	3
		12" AUGER	5
13	209-531	9" DOUBLE FLIGHTED AUGER COMPLETE	1
	212-531	12" DOUBLE FLIGHTED AUGER COMPLETE	1
14	501-540B	CUTTING KNIFE	
		9" AUGER	2
		12" AUGER	4
15	501-541B	AUGER POINT	1
16	503-238B	GEARBOX GUARD	1
17	503-239B	AUGER GUARD	1
18	000-1077	LOCK WASHER M12	2
19	000-1106	HEX NUT M12	2
20	160-5021	FLAT WASHER 5/16"	6
21	160-5017	LOCK WASHER 5/16"	6
22	000-6647	CAP	4



Ref.	Part #	Part Description	Qty.
1	502-272B	HOUSING	1
2	502-273B	OUTPUT SHAFT	1
3	502-274B	OUTPUT BEARING SPACER	1
5	502-251B	GEAR ADJUSTING SHIM .03	VAR.
6	502-252B	GEAR ADJUSTING SHIM .50	VAR.
7	502-275B	OUTPUT GEAR 33 TOOTH	1
8	502-276B	OUTPUT CAP GASKET .10	VAR.
9	502-277B	OUTPUT CAP GASKET .25	VAR.
11	000-1280	LOCKWASHER M10	8
12	502-256B	CAP SCREW M10 X 30	8
13	502-257B	PIPE PLUG 1/2"	2
14	502-258B	HANGER SHAFT	1
15	502 259B	COTTER PIN	2
16	502-278B	HANGER CAP	1
17	502-279B	RETAINING RING	1
18	502-262B	RETAINING RING	1
20	502-280B	INPUT SEAL	1
21	502-281B	PINION GEAR & SHAFT 11 TOOTH	1
22	502-266B	BEARING SPACER	1
23	002-5332	BEARING 6207	2
24	502-268B	BEARING 7210 AND RACE	2
25	502-269B	RETAINING RING	1
26	502-270B	OUTPUT SEAL 50 X 70 X 12	1
	502-282B	GEARBOX COMPLETE	-

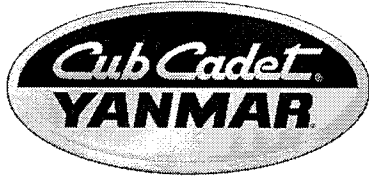


Ref.	Part #	Part Description	Qty.
1	023-001E	YOKE ASSEMBLY ( TRACTOR END)	1
2	013-130E	CROSS ASSEMBLY	2
3	503-318B	OUTER TUBE WITH YOKE	1
4	503-319B	INNER TUBE WITH YOKE	1
5	503-355B	YOKE ASSEMBLY (IMPLEMENT END)	1
6	503-335B	TUBE BEARING, OUTER	1
7	503-323B	OUTER TUBE RIGID CONE	1
8	503-324B	SOFT CONE	2
9	503-325B	PIN FOR STOP ROTATION	2
10	502-889B	ANTIROTATION CHAIN	2
11	503-356B	OUTER TUBE	1
12	503-357B	INNER TUBE	1
13	503-328B	INNER TUBE RIGID CONE	1
14	503-337B	TUBE BEARING, INNER	1
15	503-358B	SHIELD , COMPLETE	1
16	503-254B	3/8" X 3" GR2 SHEAR BOLT W/ NUT	1
17	501-568B	1/4" SET SCREW	1
18	503-425B	1/4" HEX NUT	1
	BP948-807B	DRIVE SHAFT COMPLETE	1









***Post Hole Digger***

---

***PHD200***

Cub Cadet Yanmar LLC.  
P.O. Box 368023  
Cleveland, OH 44136

## Free Manuals Download Website

<http://myh66.com>

<http://usermanuals.us>

<http://www.somanuals.com>

<http://www.4manuals.cc>

<http://www.manual-lib.com>

<http://www.404manual.com>

<http://www.luxmanual.com>

<http://aubethermostatmanual.com>

Golf course search by state

<http://golfingnear.com>

Email search by domain

<http://emailbydomain.com>

Auto manuals search

<http://auto.somanuals.com>

TV manuals search

<http://tv.somanuals.com>