

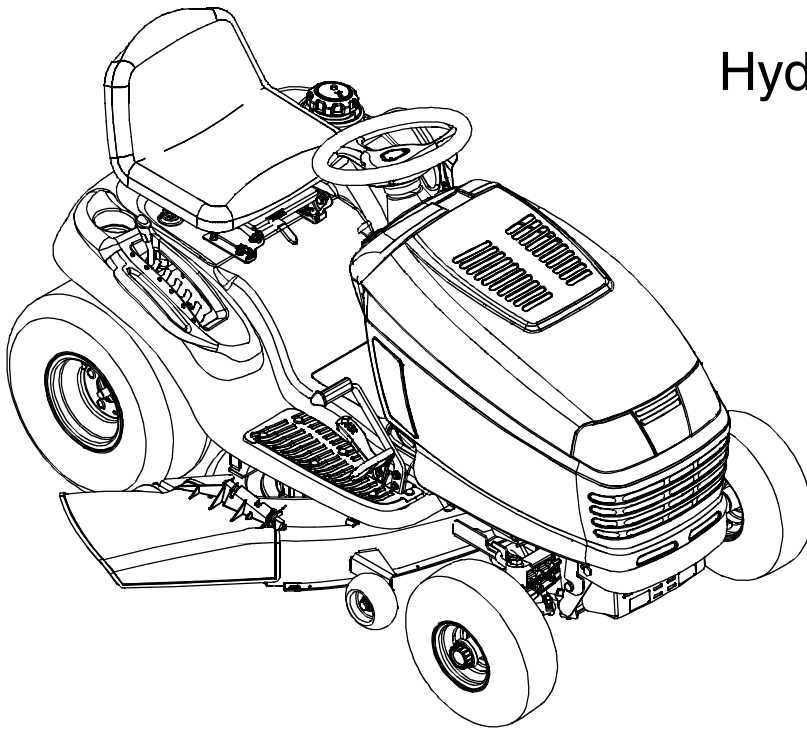
Cub Cadet

Parts Manual

Series 1500

Hydrostatic Lawn Tractor

Models 1515
1517



CUB CADET LLC, P.O. BOX 361131 CLEVELAND, OHIO 44136-0019

PRINTED IN U.S.A.

FORM NO. 770-10604A
(01/2002)

MODELS 1515 & 1517

TABLE OF CONTENTS

DESCRIPTION	PAGE	DESCRIPTION	PAGE
Axle, Front	5, 6	Engine Mounting	14
Battery	15, 16	Fender	9
Brake Pedal	11, 12	Frame	7, 8
Bulkhead	17, 18	Fuel Tank	9
Mower Deck, 38-inch.....	21, 22	Grille	17, 18
Mower Deck, 42-inch.....	23, 24	Hood	17, 18
Dash Panel	15, 16	Deck Lift Handle/Linkage	10
Drive System	3, 4	Muffler	14
Electrical Sysytem	27, 28	PTO Clutch	19, 20
Engine		Seat	13
Air Filter	41	Side Panels	17, 18
Blower Housing	37	Steering	5, 6
Breather	33, 34	Transmission, Hydrostatic	25, 26
Carburetor	39, 40	Wheels, Front & Rear	2
Controls	38		
Crankcase	29, 30		
Crankshaft	29, 30		
Cylinder Head	33, 34		
Electrical	35, 36		
Exhaust.....	41		
Fuel System	39, 40		
Oil Pan	31, 32		
Starter	35, 36		
Valves	33, 34		

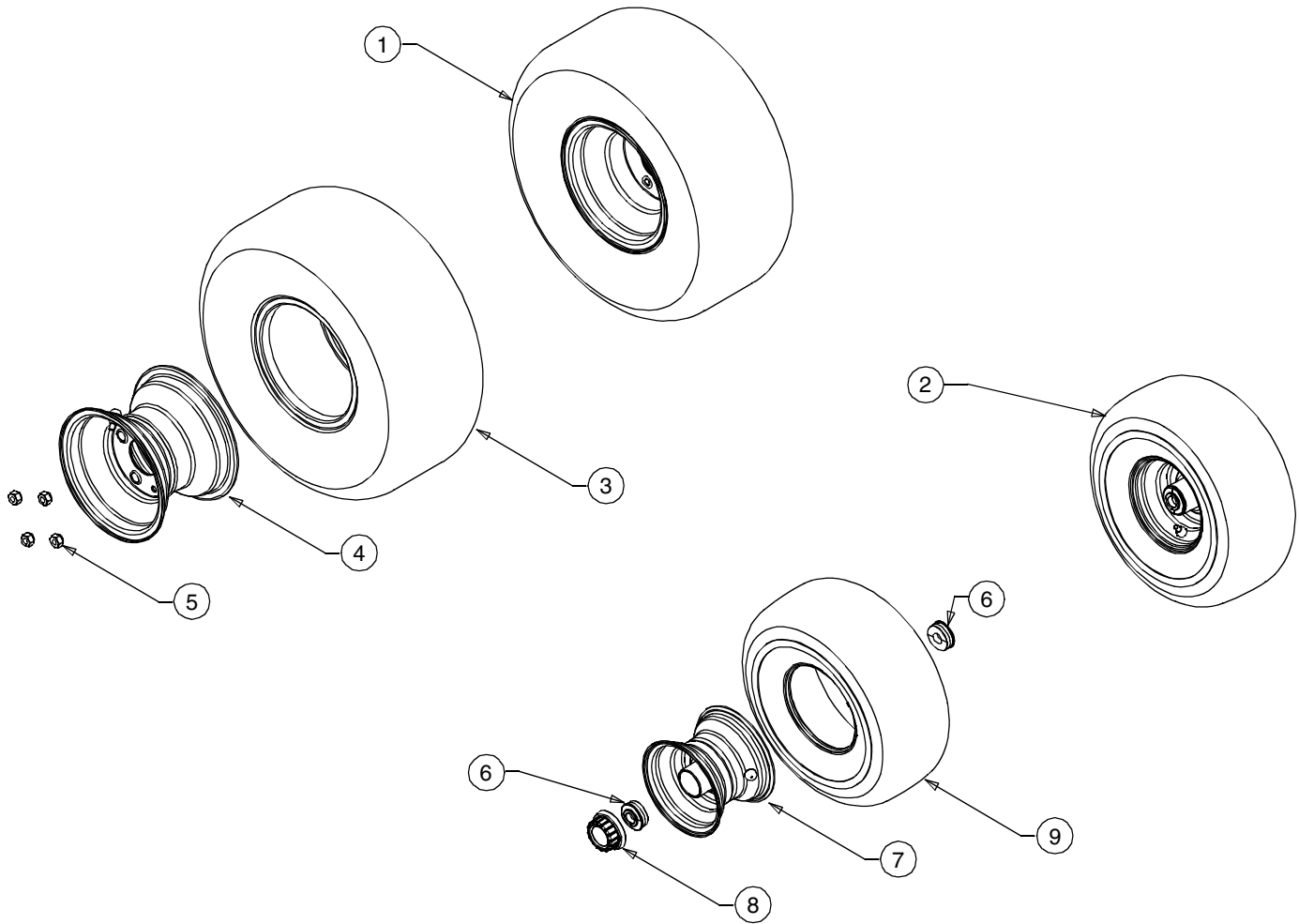
NOTE, For **painted parts**, please refer to the list of color codes below. Please add the applicable color code, wherever needed, to the part number to order a replacement part. For instance, if a part, numbered 700-xxxx, is painted Cub Yellow, the part number to order would be 700-xxxx-0498.

Cub Yellow: 0498

Cub Beige: 0499

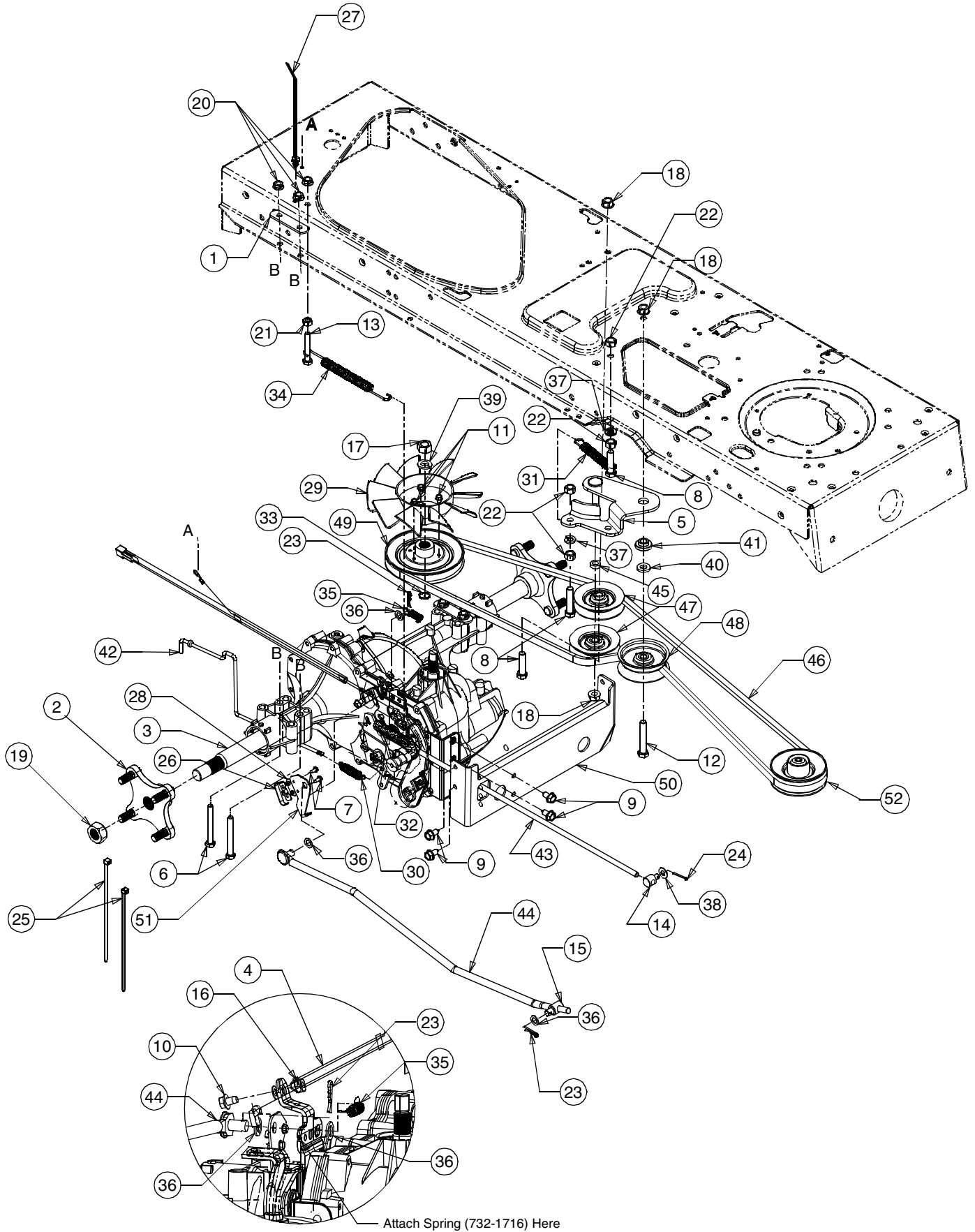
Powder Black: 0637

WHEELS



REF. NO.	PART NUMBER	DESCRIPTION	QTY.
1	634-0245	Rim/Wheel Assembly, 20 x 9 x 8 (4-Lug)	2
2	634-3012A	Wheel, Complete, 15 x 6 x 6	2
3	734-3189	Tire, Turf, <i>Cub Cadet</i> 20 x 9 x 8	2
4	634-0246	Rim Assembly, 8.0 x 6.19 (4-Lug)	2
5	712-3050	Lug Nut, 7/16-14	8
6	741-3032	Bearing, Ball, .75 ID x 1.75 OD	4
7	634-3015	Rim Assembly, Bead Lock, 6 x 4.5	2
8	731-3020	Hub Cap	2
9	734-3186	Tire, Turf, <i>Cub Cadet</i> 15 x 6 x 6	2
—	737-0224	Gease Fitting	2
—	734-0255	Valve, Tubeless Air	4

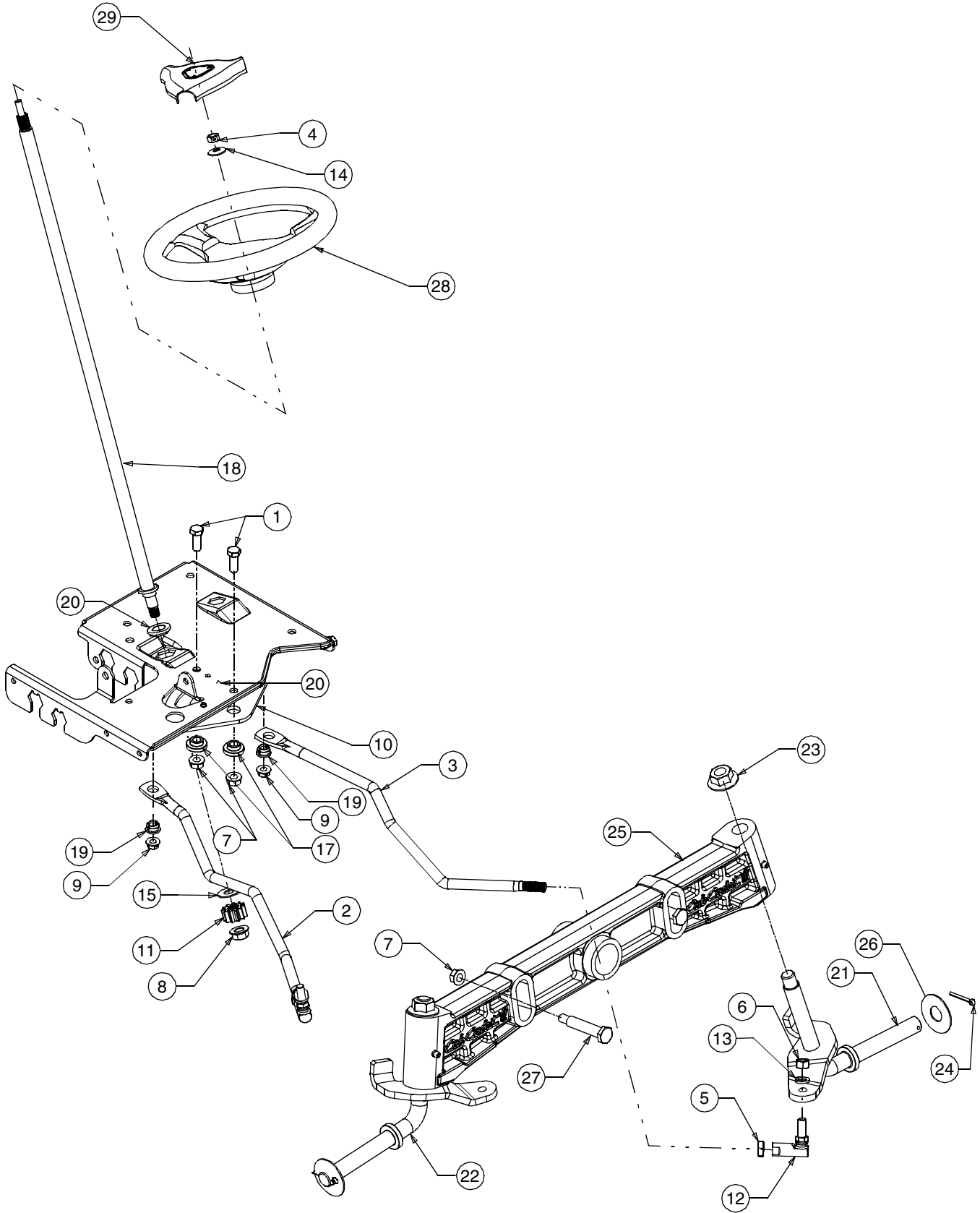
DRIVE SYSTEM



DRIVE SYSTEM

REF. NO.	PART NUMBER	DESCRIPTION	QTY.
1	17840	Bracket, Mounting, Transaxle	2
2	618-0365	Hub Assembly, Wheel	2
3	618-0667	Transmission, Hydrostatic	1
4	629-0949A	Harness Assembly, Ground & Reverse	1
5	683-0251	Bracket Assembly, Idler, Center Dbl	1
6	710-0176	Hex Cap Screw, 5/16-18, 2.75, Gr5	4
7	710-0227	Screw, #8-18, 0.500	2
8	710-0344	Hex Cap Screw, 3/8-16, 1.50, Gr5	3
9	710-0604A	Screw, 5/16-18, 0.625	6
10	710-0653	Screw, 1/4-20, 0.375	1
11	710-3007	Screw, #12-24, 0.375	3
12	710-3011	Hex Cap Screw, 3/8-16, 2.25, Gr5	1
13	710-3103	Hex Cap Screw, 5/16-18, 2.00, Gr5	1
14	711-0677	Ferrule, 5/16-18 x .312 Dia	1
15	711-0832	Ferrule, 3/8-24 x .375 Dia	1
16	712-0291	Nut, Hex Lock, 1/4-20	1
17	712-0333	Nut, Hex, 1/2-20, Gr2	1
18	712-0431	Nut, Flange Lock, 3/8-16	3
19	712-1329	Nut, 3/4-16, Grb, Hx	2
20	712-3004A	Nut, Flange Lock, 5/16-18, Gr5	5
21	712-3010	Nut, Hex, 5/16-18, Gr5	1
22	712-3017	Nut, Hex, 3/8-16, Gr8	4
23	714-0104	Pin, Cotter, .072 Dia. x 1.13 Lg	2
24	714-0111	Pin, Cotter, 3/32, 1.0	1
25	725-0157	Cable, Tie, 3/16 x .05 x 7.4	2
26	725-1644	Switch, Spring, Short	1
27	726-0154	Tie, Cable, Push Mount 7.5 Lg	1
28	726-0320	Plate, Insulator Nut	1
29	731-1449A	Fan, Blade, 10"	1
30	732-0209	Spring, .48 OD x 2.03 Extension	1
31	732-0429A	Spring, Extension, .50 Dia x 3.97 Lg	1
32	732-0716	Spring, Extension, .59 OD x 4.00 Lg	1
33	732-0729	Ring, Wire	1
34	732-0994	Spring, Extension, .500 Dia x 7.0 Lg	1
35	732-3118	Spring, Extension, 3/8 OD x 1.44 Lg	1
36	736-0140	Washer, Flat, .385 x .62 x .063	3
37	736-0169	Washer, Lock, 3/8, Regular Duty	2
38	736-0275	Washer, Flat, .344 x .688 x .065	1
39	736-0921	Washer, Lock, 1/2, Regular Duty	1
40	736-3010	Washer, Flat, .407 x .812 x .135 Hdn	1
41	738-0372B	Spacer, Shoulder, 1.00 x .38 x .38	1
42	747-1149	Rod, Hydro Bypass	1
43	747-1150	Rod, Brake, Hydro	1
44	747-1151	Rod, Control, Hydro	1
45	750-0535	Spacer, .376 ID x .625 OD x .22	1
46	754-0640	Belt, V Type, Poly	1
47	756-0116	Pulley, Idler, V Type x 3.06 Dia	2
48	756-0981A	Pulley, Idler, Flat 2.75 OD	1
49	756-1166	Pulley, Input, 5.0 Dia	1
50	783-0810	Bracket, Transmission, Torque Hydro	1
51	783-1019	Bracket, Actuator, Switch	1
52	756-0639	Pulley, Engine, 3.56 Dia	

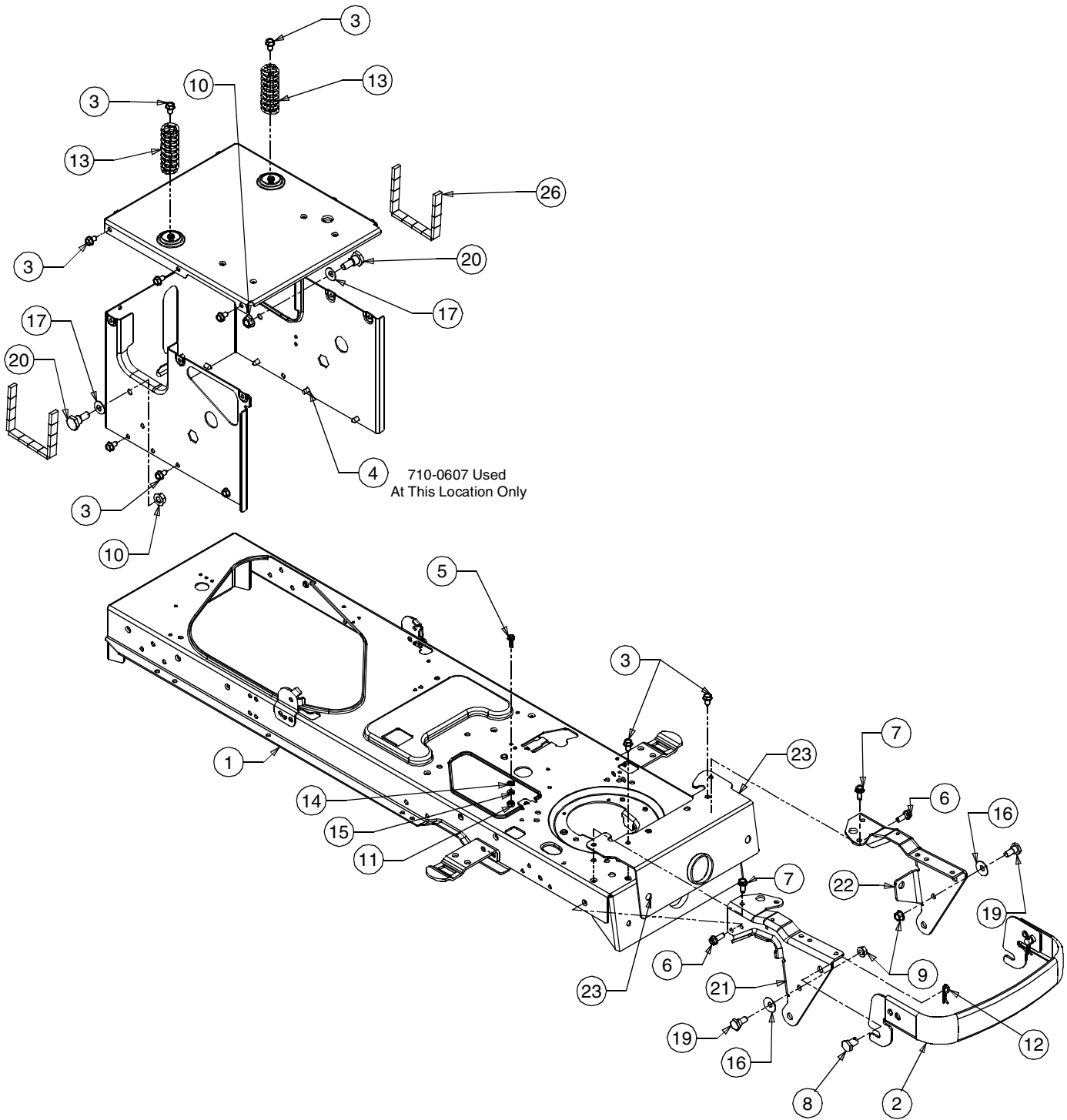
STEERING



STEERING

REF. NO.	PART NUMBER	DESCRIPTION	QTY.
1	710-0514	Hex Cap Screw, 3/8-16, 1.00, Gr5, Std	2
2	711-1408	Link, Drag, RH	1
3	711-1409A	Link, Drag, LH	1
4	712-0237	Nut, Hex Lock, 5/16-24	1
5	712-0240	Nut, Jam, 7/16-20, Gr2	2
6	712-0241	Nut, Hex, 3/8-24, Gr5	2
7	712-0431	Nut, Flange Lock, 3/8-16	4
8	712-0459	Nut, Flange Lock, 7/16-20	1
9	712-3004A	Nut, Flange Lock, 5/16-18	2
10	717-1550D	Gear, Steering, 11/90 Ratio	1
11	717-1554	Gear, Pinion, Steering	1
12	723-0610	Ball Joint, 7/16-20	2
13	736-0169	Washer, Lock, 3/8 , Regular Duty	2
14	736-0242	Washer, Bell, .340 x .872 x .060	1
15	736-3084	Washer, Flat, .510 x 1.120 x .060	1
16	737-3007	Grease, Alvania Ep 2	1
17	738-0372B	Spacer, Shoulder, 1.00 x .38 x .38	2
18	738-1194	Shaft, Steering, .625 OD x 25.00 Lg	1
19	741-0475	Bushing, Plastic, .380 ID	2
20	741-0656	Bearing, Hex Flange, 5/8	1
21	683-0605	Axle Assembly, LH .750 Dia	1
22	683-0606	Axle Assembly, RH .750 Dia	1
23	712-0417A	Nut, Hex, Flange, 5/8-18	2
24	714-0162	Pin, Cot, 5/32, 1.25	2
25	719-0583	Axle, Pivot, Cast .750 Dia	1
26	736-0866	Washer, Flat, .755 x 1.92 x .060	2
27	738-1011	Spacer, Shoulder, .500 x 2.230, 3/8-16	2
28	731-3209	Wheel, Steering, Soft Grip, Three Spoke	1
29	731-3210	Cover, Steering Wheel	1

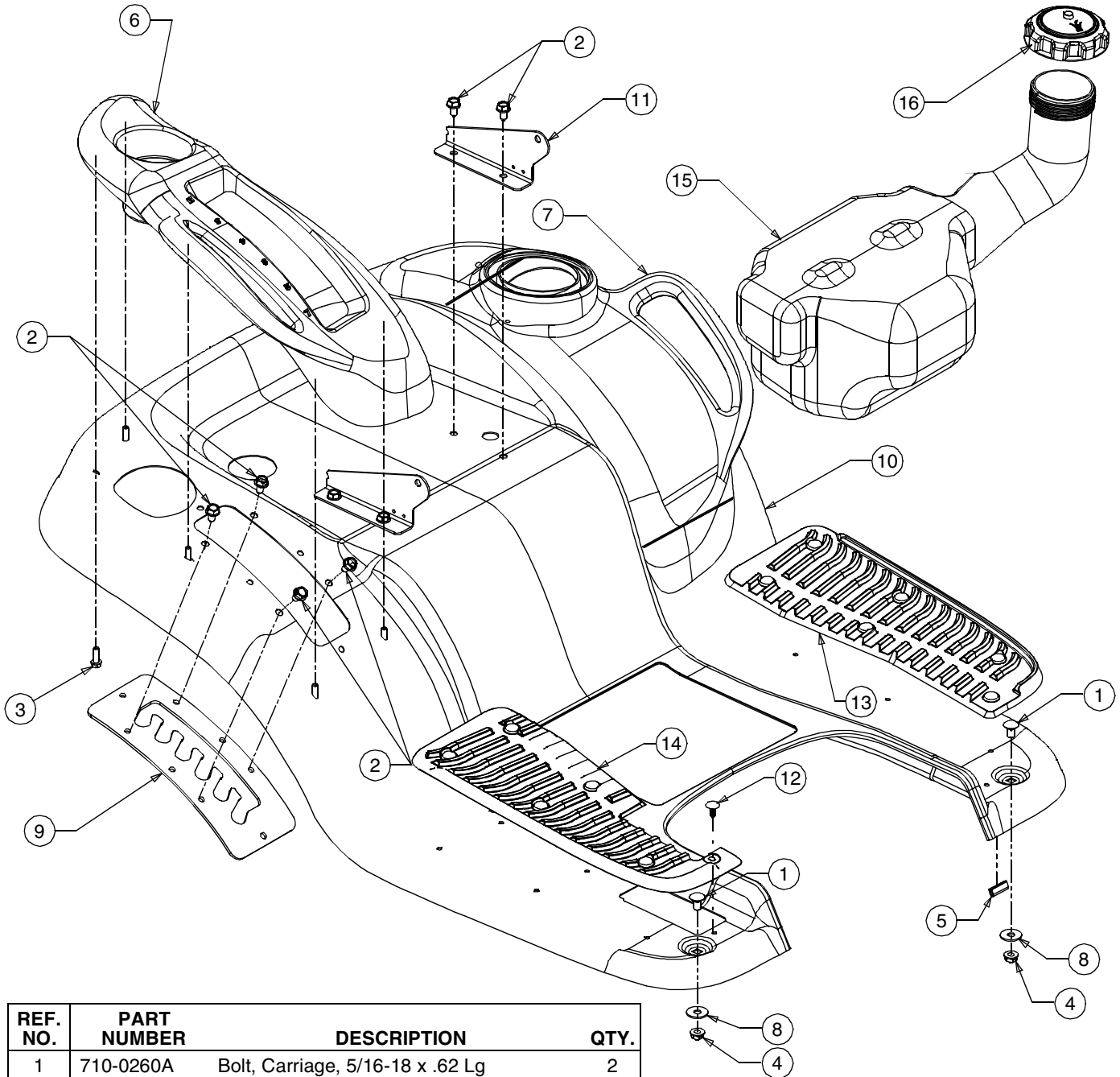
FRAME



FRAME

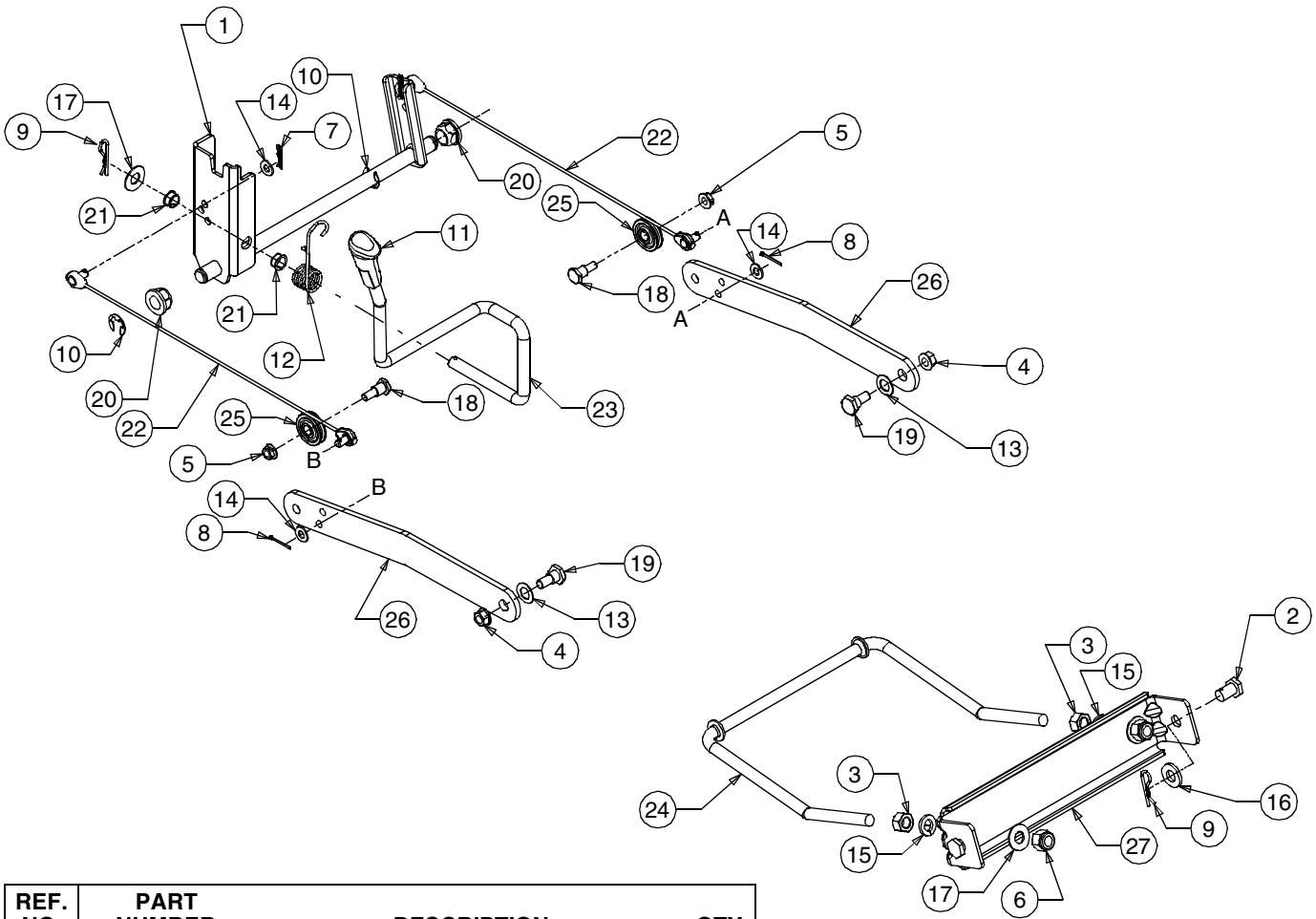
REF. NO.	PART NUMBER	DESCRIPTION	QTY.
1	683-0304A	Frame Assembly, Lower	1
2	683-0612	Bumper Assembly	1
3	710-0604A	Screw, Self-tapping, 5/16-18, 0.625	19
4	710-0607	Screw, Self-tapping, 5/16-18, 0.500	1
5	710-0642	Screw, Self-tapping, 1/4-20, 0.750	1
6	710-1238	Screw, 5/16-18, .875, Gr5	2
7	710-1260A	Screw, 5/16-18, 0.750	2
8	711-0332	Pin, Clevis, .50 Dia x .78 Lg	2
9	712-0431	Nut, Flange Lock, 3/8-16	2
10	712-0459	Nut, Flange Lock, 7/16-20	2
11	712-3006	Nut, Hex, 1/4-20, Gr5	1
12	714-0145	Pin, Click, .092 x 1.64 Lg	2
13	732-3080A	Spring, Compression, 1.28 OD x 3.50 Lg	2
14	736-0222	Washer, Lock, Ext 1/4	2
15	736-0329	Washer, Lock, 1/4, Regular Duty	1
16	736-0331	Washer, Bell, .390 x 1.13 x .062	2
17	736-0407	Washer, Bell .45 x 1.00 x .062	2
18	737-3007	Grease, Alvania Ep 2	1
19	738-0143	Shoulder Screw, 3/8-16	2
20	738-1020	Shoulder Screw .625 x .500, 7/16-20	2
21	783-0726B	Bracket, Pivot, Support RH	1
22	783-0727A	Bracket, Pivot, Support LH	1
23	783-0728	Bracket, Pivot, Bar	1
24	783-1462	Frame, Upper, Cub 1500	1
25	783-1463	Bracket, Frame, Seat	1
26	722-3022	Foam Tape, .625 x .25	18

FENDER & FUEL TANK



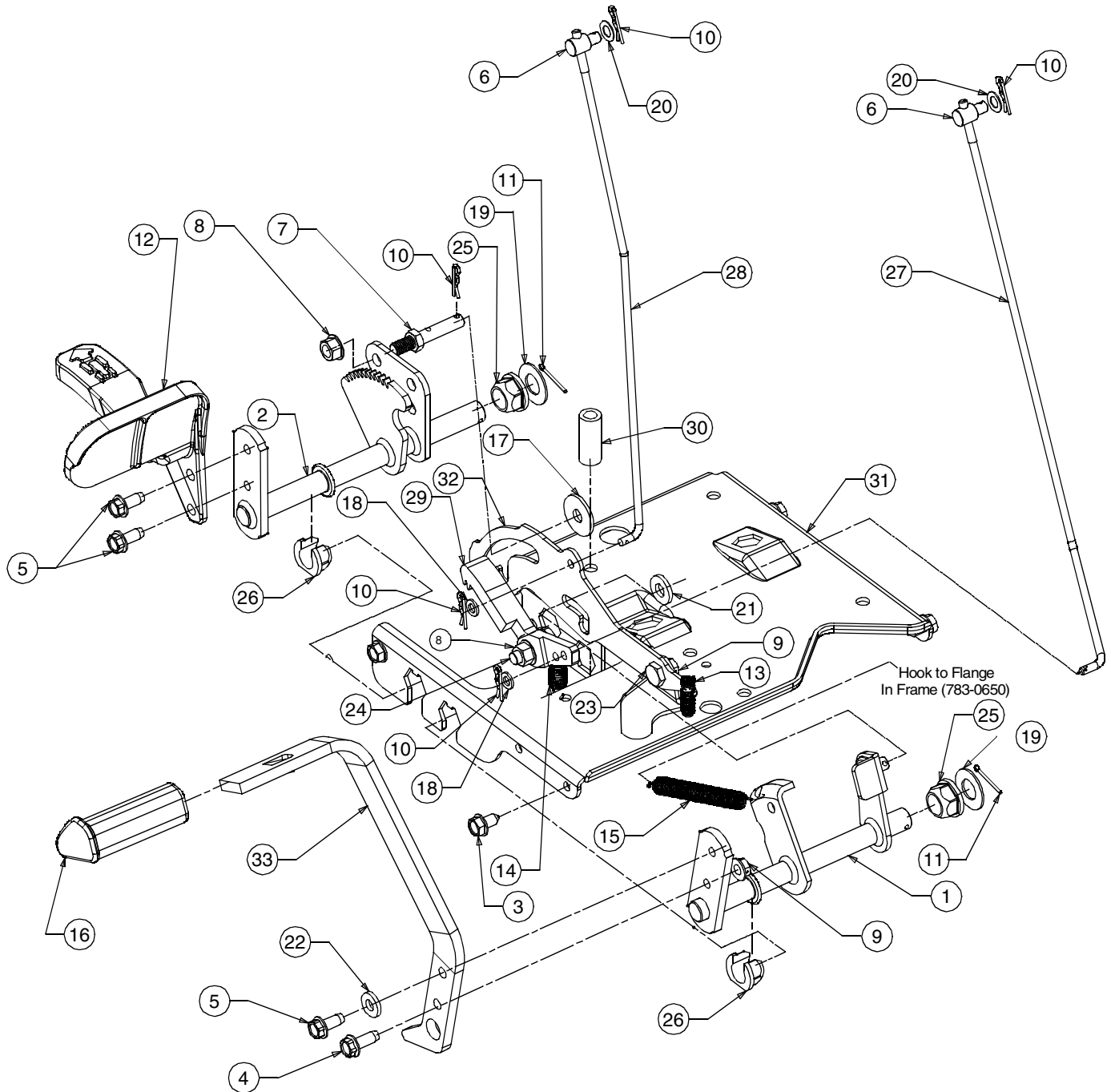
REF. NO.	PART NUMBER	DESCRIPTION	QTY.
1	710-0260A	Bolt, Carriage, 5/16-18 x .62 Lg	2
2	710-0604A	Screw, 5/16-18, 0.625	8
3	710-0895	Screw, 1/4-15, 0.750	9
4	712-3004A	Nut, Flange Lock, 5/16-18	2
5	731-0511	Strip, Trim	1.5
6	731-2616	Cover, Fender, RH	1
7	731-2617	Cover, Fender, LH	1
8	736-3078	Washer, Flat, .349 x 1.00 x .063	2
9	783-0677	Bracket, Lift, Adjustment	1
10	783-1461	Fender	1
11	783-1489	Bracket, Seat, Mount	2
12	726-3046	Clip, Ratchet, .250 Dia	12
13	735-0697	Pad, Foot, LH	1
14	735-0698A	Pad, Foot, RH	1
15	751-0819	Tank, Fuel	1
16	751-3124B	Cap, Fuel	1

LIFT ASSEMBLY



REF. NO.	PART NUMBER	DESCRIPTION	QTY.
1	683-0197B	Shaft Assembly, Lift	1
2	711-0332	Pin, Clevis, .50 Dia x .78 Lg	2
3	712-0206	Nut, Hex, 1/2-13, Gr5	2
4	712-0431	Nut, Flange Lock, 3/8-16	2
5	712-3004A	Nut, Flange Lock, 5/16-18, Gr5	2
6	712-3083	Nut, Hex Lock, 1/2-13, Gr8, Nylon	2
7	714-0104	Pin, Cotter, .072 Dia. x 1.13 Lg	2
8	714-0111	Pin, Cotter, 3/32, 1.0	2
9	714-0145A	Pin, Click, .092 x 1.64 Lg	2
10	716-0106	E-ring, .625 Dia. Shaft	2
11	731-2111A	Knob	1
12	732-0874	Spring, Torsion	1
13	736-0160	Washer, Flat, .53 x .93 x .050	2
14	736-0275	Washer, Flat, .344 x .688 x .065	4
15	736-0921	Washer, Lock, 1/2, Regular Duty	2
16	736-3019	Washer, Flat, .531 x 1.062 x .134	2
17	736-3084	Washer, Flat, .510 x 1.120 x .060	3
18	738-0138A	Screw, Hex Cap, 5/16-18x.620 Gr2	2
19	738-0143	Shoulder Screw, 3/8-16	2
20	741-0225	Bearing, Hex Flange	2
21	741-0715	Bearing, Flange, Snap .500 ID	2
22	746-0968	Cable, Lift, 16.16 Lg	2
23	747-1111A	Handle, Lift	1
24	747-1130B	Rod, Deck, Front Adjustment .5" Dia	1
25	756-1154	Pulley, Roller	2
26	783-0678A	Lift, Arm	2
27	783-0720A	Bracket, Adjustment, Front Deck Rod	1

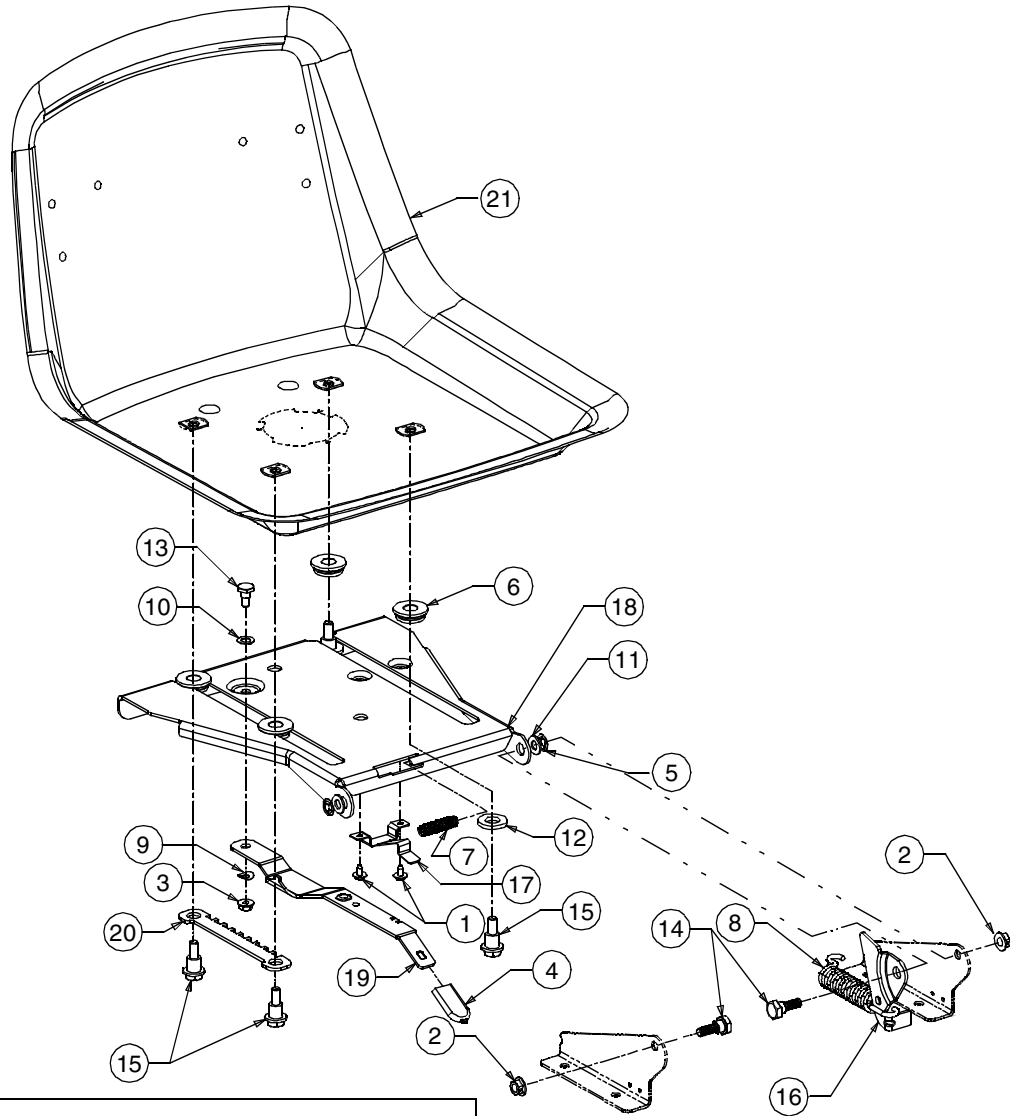
PEDAL ASSEMBLY



PEDAL ASSEMBLY

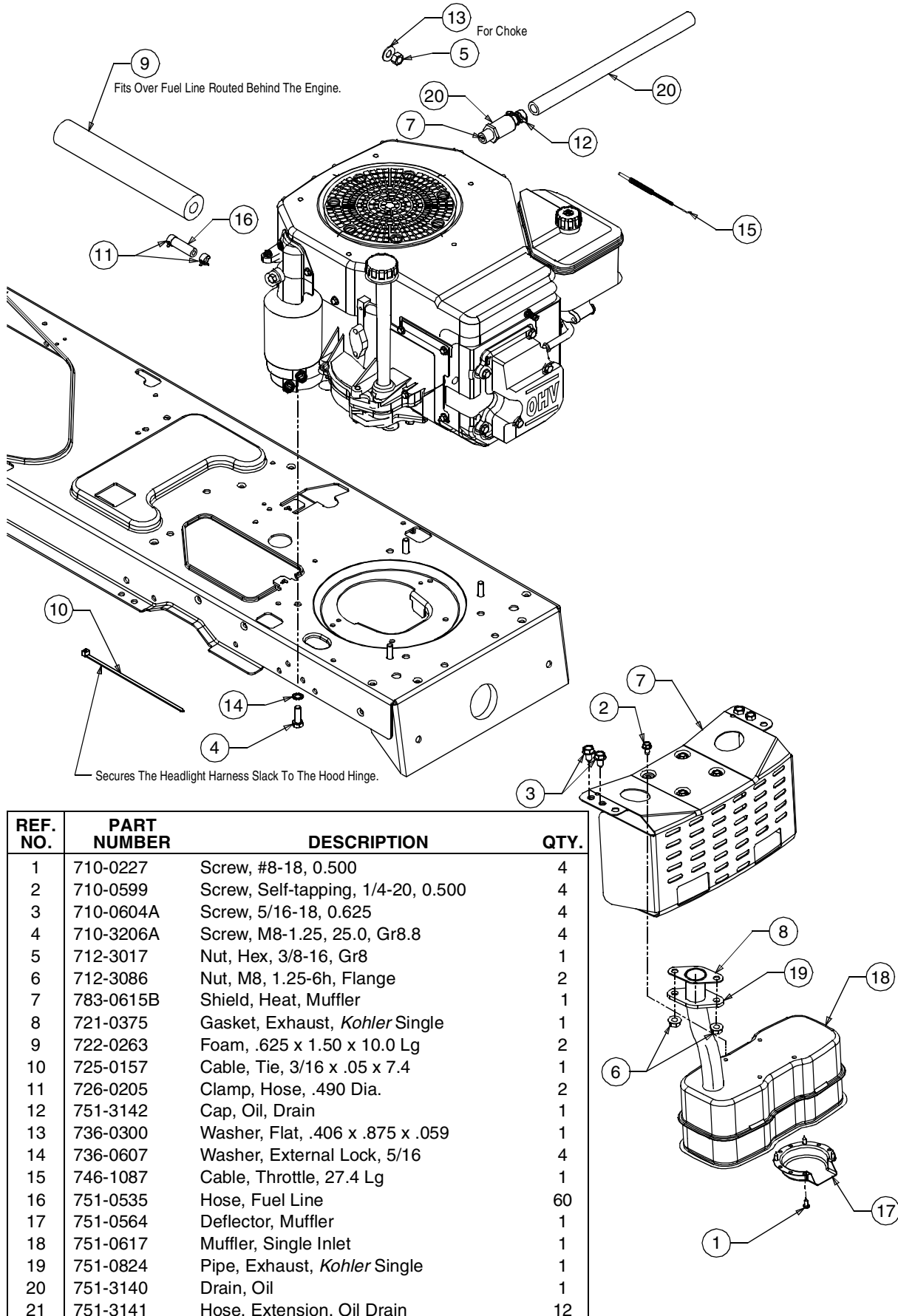
REF. NO.	PART NUMBER	DESCRIPTION	QTY.
1	647-0031	Control Assembly, Brake	1
2	647-0049	Control Assembly, Hydro	1
3	710-0604A	Screw, Self-tapping, 5/16-18, 0.625	4
4	710-0650	Screw, Self-tapping, 5/16-18, 0.875	1
5	710-1260A	Screw, 5/16-18, 0.750	3
6	711-0736	Adjustment Ferrule 1/4-20 x 1.0	2
7	711-1363	Pin, 3/8-16, 3/8 x 2.43 Lg	1
8	712-0431	Nut, Flange Lock, 3/8-16	2
9	712-3004A	Nut, Flange Lock, 5/16-18, Gr5	2
10	714-0104	Pin, Cotter, .072 Dia. x 1.13 Lg	6
11	714-0111	Pin, Cotter, 3/32, 1.0	2
12	719-0584	Pedal, Control	1
13	732-0335	Spring, Compression, .405 x 1.17	1
14	732-0955	Spring, Extension, .50 OD x 1.41 Lg	1
15	732-0963	Spring, Extension, .50 Dia x 6.37 Lg	1
16	735-3049	Pad, Brake, Control	1
17	736-0133	Washer, Flat, .411 x 1.25 x .100	1
18	736-0142	Washer, Flat, .281 x .50 x .063	2
19	736-0187	Washer, Flat .64 ID x 1.24 x .06	2
20	736-0204	Washer, Flat, .344 ID x .62 OD	2
21	736-3004	Washer, Flat, .406 ID x .875 OD x .105	1
22	736-3008	Washer, Flat, .344 x .750 x .120	1
23	738-0155	Shoulder, Screw .437 x 1.62 Lg	1
24	738-0507B	Screw, Shoulder, .500 Dia x .434	1
25	741-0225	Bearing, Hex Flange	2
26	741-3065B	Bearing, Hex Flange, .628 ID, Split	2
27	747-1137	Rod, Control, Cruise	1
28	747-1138	Rod, Control, Brake Lock	1
29	748-0413	Latch, Cruise	1
30	748-0415B	Spacer, .385 ID x .635 OD x 1.54	1
31	783-0653F	Bracket, Support, Stearing	1
32	783-0663C	Bracket, Lockout, Hydro	1
33	783-1469	Pedal, Brake	1

ADJUSTABLE SEAT



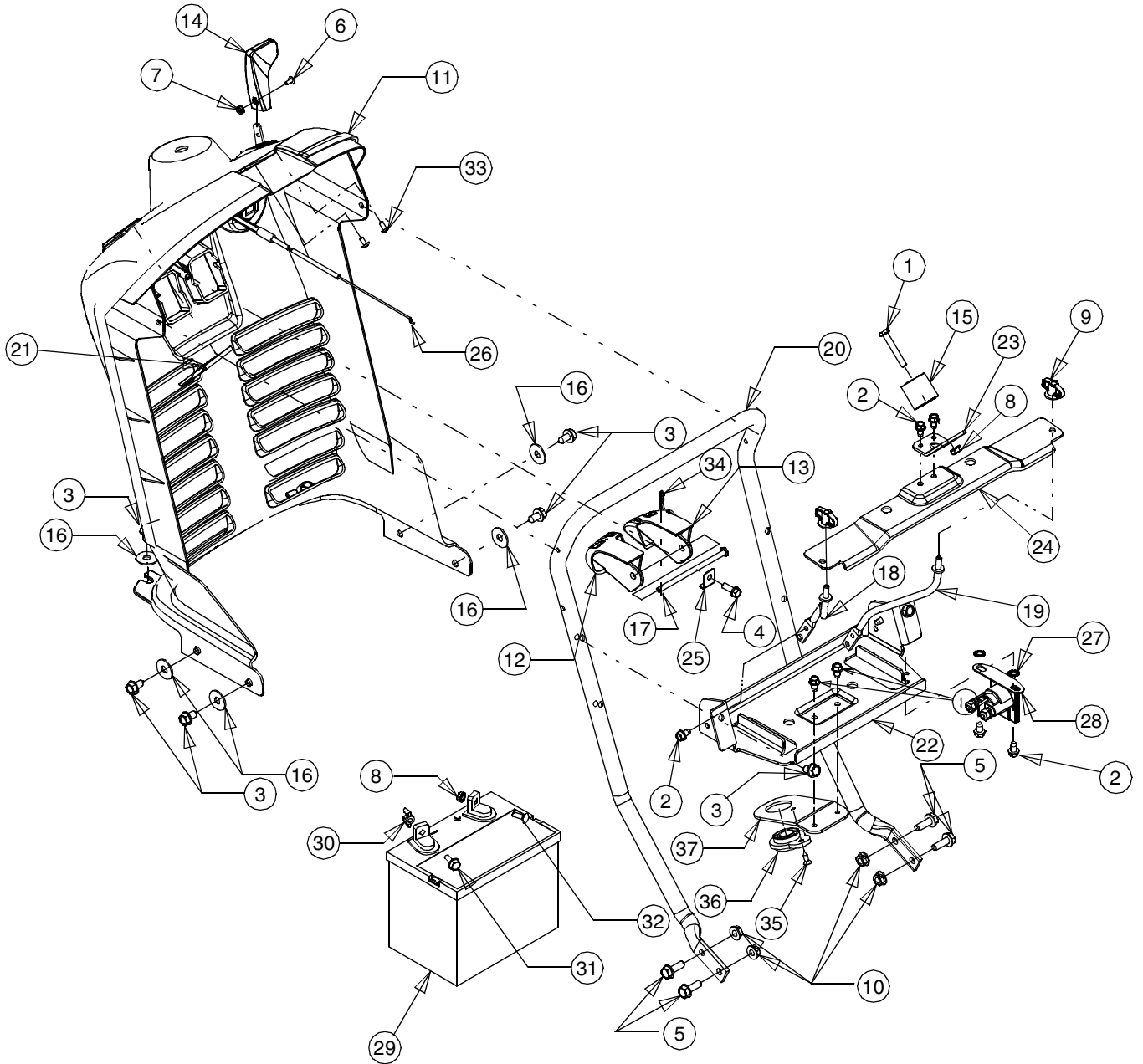
REF. NO.	PART NUMBER	DESCRIPTION	QTY.
1	710-1268	Screw, #10-16, 0.375	2
2	712-3004A	Nut, Flange Lock, 5/16-18, Gr5	2
3	712-3027	Nut, Flange Lock, 1/4-20	1
4	720-0433	Grip, Seat, Adjustment (Yellow)	1
5	726-0201	Nut, Speed, .3125 ID	2
6	731-1989	Spacer, Seat, Adjustment	4
7	732-0499	Spring, Compression .41 OD x 1.50	1
8	732-1184	Spring, Extension, .84 Dia x 4.6 Lg.	1
9	736-0175	Washer, Spring, .265 x .562 x .025	1
10	736-0204	Washer, Flat, .344 ID x .62 OD	1
11	736-0275	Washer, Flat, .344 x .688 x .065	2
12	736-3019	Washer, Flat, .531 x 1.062 x .134	2
13	738-0137A	Screw, Shoulder, .340 x .285, 1/4-20	1
14	738-0296	Shoulder, Screw .437 x .286 Lg	2
15	738-1198	Screw, Shoulder, .50 x .50, 5/16-18	4
16	783-0209A	Bracket, Lift, Seat	1
17	783-0611	Stop, Seat, Adjustment	1
18	783-0738	Bracket, Pivot, Seat	1
19	783-0739	Lever, Seat, Adjustment	1
20	783-0753	Selector, Seat, Adjustment	1
21	757-3003	Seat, Mid-back, V-1480	1

ENGINE ACCESSORIES



REF. NO.	PART NUMBER	DESCRIPTION	QTY.
1	710-0227	Screw, #8-18, 0.500	4
2	710-0599	Screw, Self-tapping, 1/4-20, 0.500	4
3	710-0604A	Screw, 5/16-18, 0.625	4
4	710-3206A	Screw, M8-1.25, 25.0, Gr8.8	4
5	712-3017	Nut, Hex, 3/8-16, Gr8	1
6	712-3086	Nut, M8, 1.25-6h, Flange	2
7	783-0615B	Shield, Heat, Muffler	1
8	721-0375	Gasket, Exhaust, Kohler Single	1
9	722-0263	Foam, .625 x 1.50 x 10.0 Lg	2
10	725-0157	Cable, Tie, 3/16 x .05 x 7.4	1
11	726-0205	Clamp, Hose, .490 Dia.	2
12	751-3142	Cap, Oil, Drain	1
13	736-0300	Washer, Flat, .406 x .875 x .059	1
14	736-0607	Washer, External Lock, 5/16	4
15	746-1087	Cable, Throttle, 27.4 Lg	1
16	751-0535	Hose, Fuel Line	60
17	751-0564	Deflector, Muffler	1
18	751-0617	Muffler, Single Inlet	1
19	751-0824	Pipe, Exhaust, Kohler Single	1
20	751-3140	Drain, Oil	1
21	751-3141	Hose, Extension, Oil Drain	12

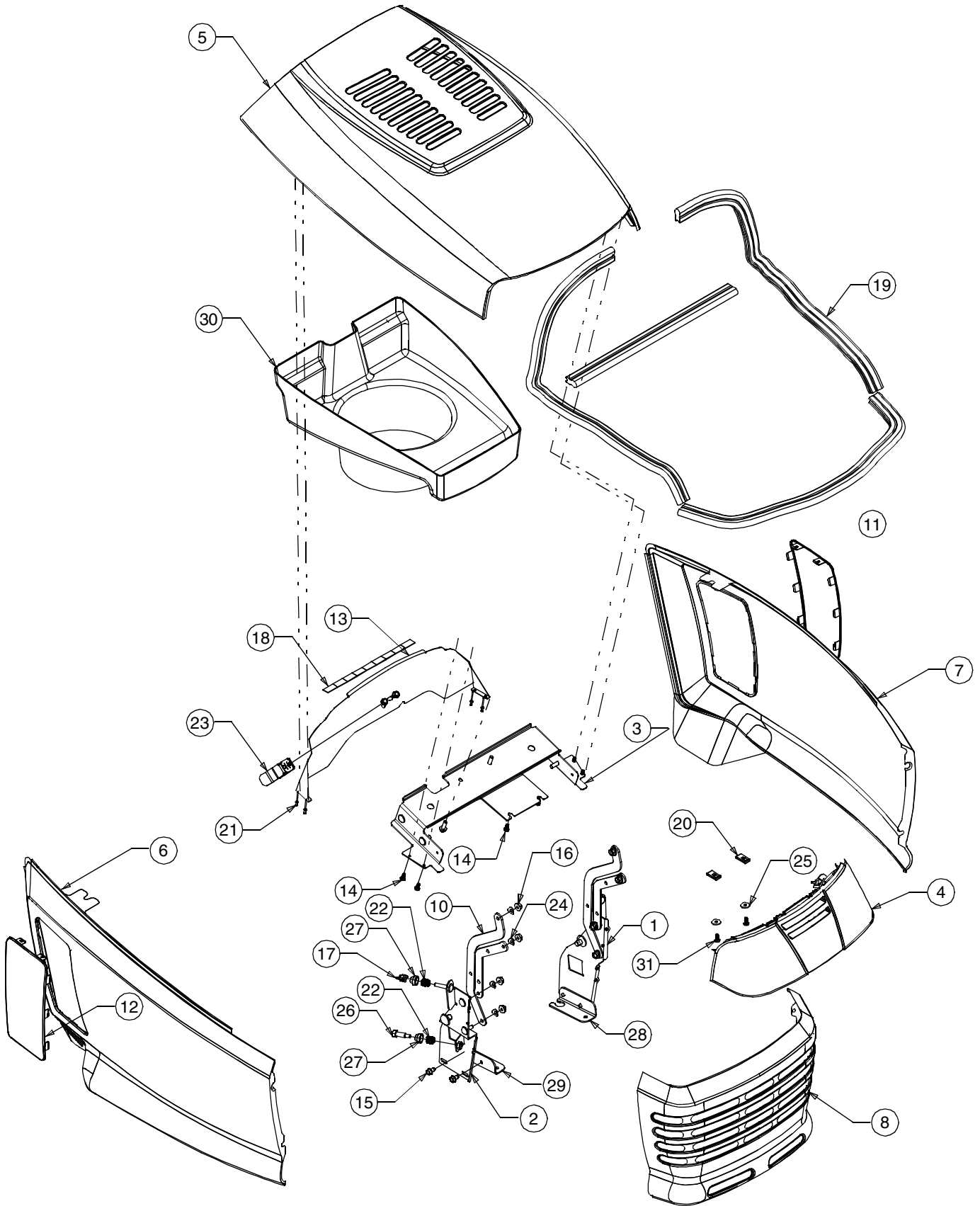
DASH PANEL



DASH PANEL

REF. NO.	PART NUMBER	DESCRIPTION	QTY.
1	710-0136	Screw, 1/4-20, 1.75, Gr5	1
2	710-0599	Screw, Self-tapping, 1/4-20, 0.500	6
3	710-0604A	Screw, 5/16-18, 0.625	8
4	710-0895	Screw, 1/4-15, 0.750	1
5	710-1238	Screw, 5/16-18, .875, Gr5	4
6	710-3217	Screw, Machine, #8-32, 0.375, Trus Phillips	1
7	712-0142	Nut, 8-32	1
8	712-0271	Nut, Hex, 1/4-20, Sems	2
9	712-0397	Nut, Wing, 1/4-20 w/ Bell Washer	2
10	712-3004A	Nut, Flange Lock, 5/16-18, Gr5	4
11	731-2615	Dash	1
12	731-2620	Lever, Dash, Cruise	1
13	731-2621	Lever, Dash, Brake	1
14	731-3161	Knob, Throttle Control	1
15	731-3232	Roller, Latch, Hood	1
16	736-3078	Washer, Flat, .349 x 1.00 x .063	6
17	747-1323A	Rod, .250 Dia x 4.25 Lg.	1
18	747-2130	Rod, Support, Side Panel RH	1
19	747-2131	Rod, Support, Side Panel LH	1
20	749-04000	Tube, Dash, Support	1
21	783-0462	Bracket, PTO Switch Retainer	1
22	783-1447	Bracket, Support, Battery	1
23	783-1448	Bracket, Support, Hood Latch	1
24	783-1449	Bracket, Battery, Hold Down	1
25	783-1499	Bracket, Rod, Dash	1
26	746-1149	Control, Choke, 23 Lg.	1
27	736-0222	Washer, External Lock, 1/4	2
28	725-1426	Solenoid, 12V, 100 Amp	1
29	725-1706	Battery, 270 CCA, Wet	1
30	712-3087	Nut, Wing, 1/4-20	1
31	738-1132	Screw, Shoulder, 1/4-20, .25 x .15	1
32	710-0751	Screw, 1/4-20, .620, Gr5	1
33	710-0192	Screw, #10-24 X .375	2
34	714-0104	Internal Cotter Pin, .072 x 1.13	1
35	710-0837	Screw, Oval Countersunk, #10-16 X .625	1
36	741-0501	Bearing, Steering Column, .634 ID x 1.36	1
37	783-04003	Steering Bracket	1

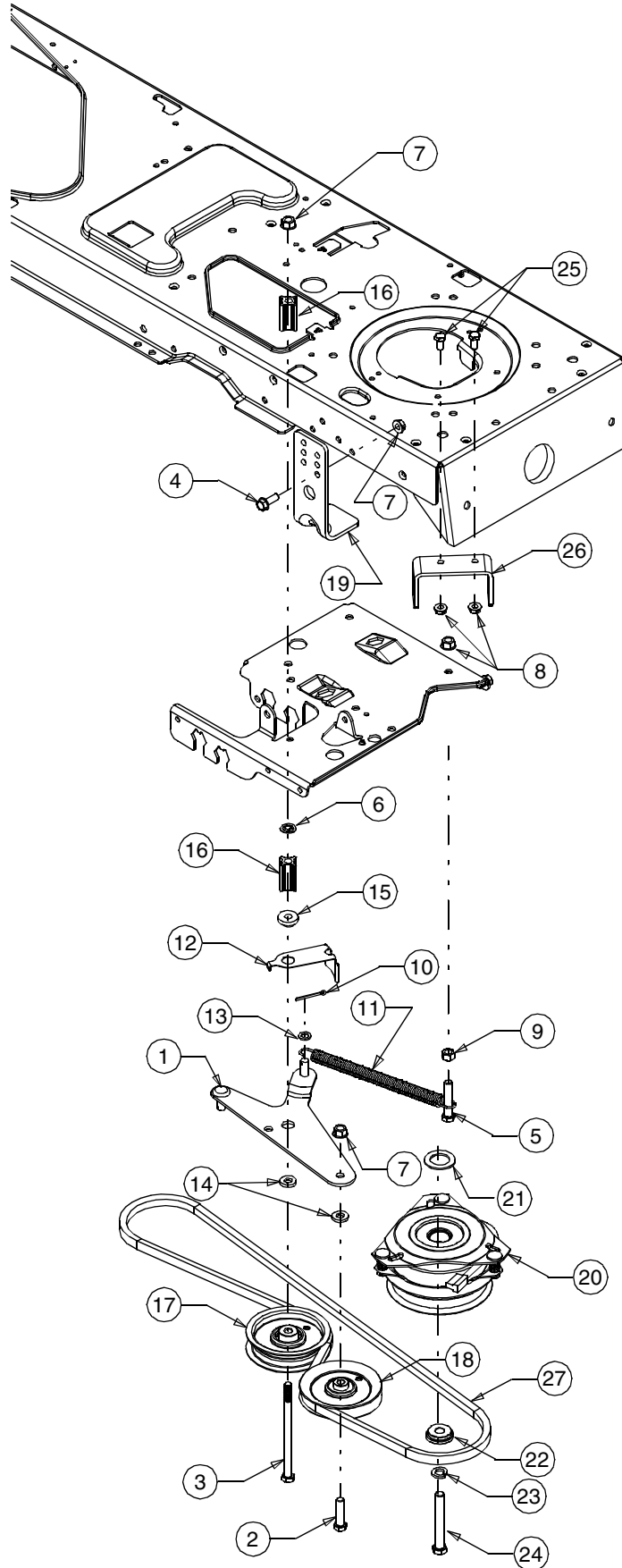
HOOD & GRILLE



HOOD & GRILLE

REF. NO.	PART NUMBER	DESCRIPTION	QTY.
1	603-0211	Bracket Assembly, Grille LH	1
2	603-0212	Bracket Assembly, Grille RH	1
3	603-0583A	Bracket Assembly, Hood	1
4	625-0053	Headlight Assembly, Front	1
	725-0963	Miniature Lamp, 12V Socket-type	2
	725-1649	Socket, Lamp, Nylon 1/4-Turn	2
	731-3138A	Lens	1
	731-3295	Leflector, Headlight	1
5	703-05000	Hood	1
6	703-2396	Side Panel, RH	1
7	703-2397	Side Panel, LH	1
8	703-2398	Grille	1
9	703-2465	Link, Hood Upper 6.06	2
10	703-2466A	Link, Hood, Rear	2
11	703-2495	Screen, LH Side Panel	1
12	703-2496	Screen, RH Side Panel	1
13	703-2563A	Bulkhead, Hood, Upper	1
14	710-0351	Screw, #10-16, 0.500, Pan Phillips	6
15	710-0599	Screw, Self-tapping, 1/4-20, 0.500	6
16	712-3027	Nut, Flange Lock, 1/4-20	8
17	712-3087	Nut, Wing, 1/4-20	2
18	722-3021	Tape, Two-sided Adhesive Foam	9
19	723-3061	Seal, Heat Baffle	19
20	726-0139	Nut, Speed, 10z U-type	2
21	728-0117	Rivet, Pop, .125 OD, #42	4
22	732-0334	Spring, Compression, .50 OD x .5 Lg	4
23	732-0855A	Spring, Latch, Hood	1
24	736-0175	Washer, Spring, .265 x.562 x.025	8
25	736-0400	Washer, Flat, .194 x .62 OD x .063	2
26	738-3141	Screw, Shoulder, .31x .75, 1/4-20	2
27	748-3055	Bushing, Tapered, .32 ID x .69 OD	4
28	783-1467A	Bracket, Mounting, Grille LH	1
29	783-1468A	Bracket, Mounting, Grille RH	1
30	731-04009	Plenum, Hood	1
31	710-0436	Hex Screw, #10-16 x 0.625	2

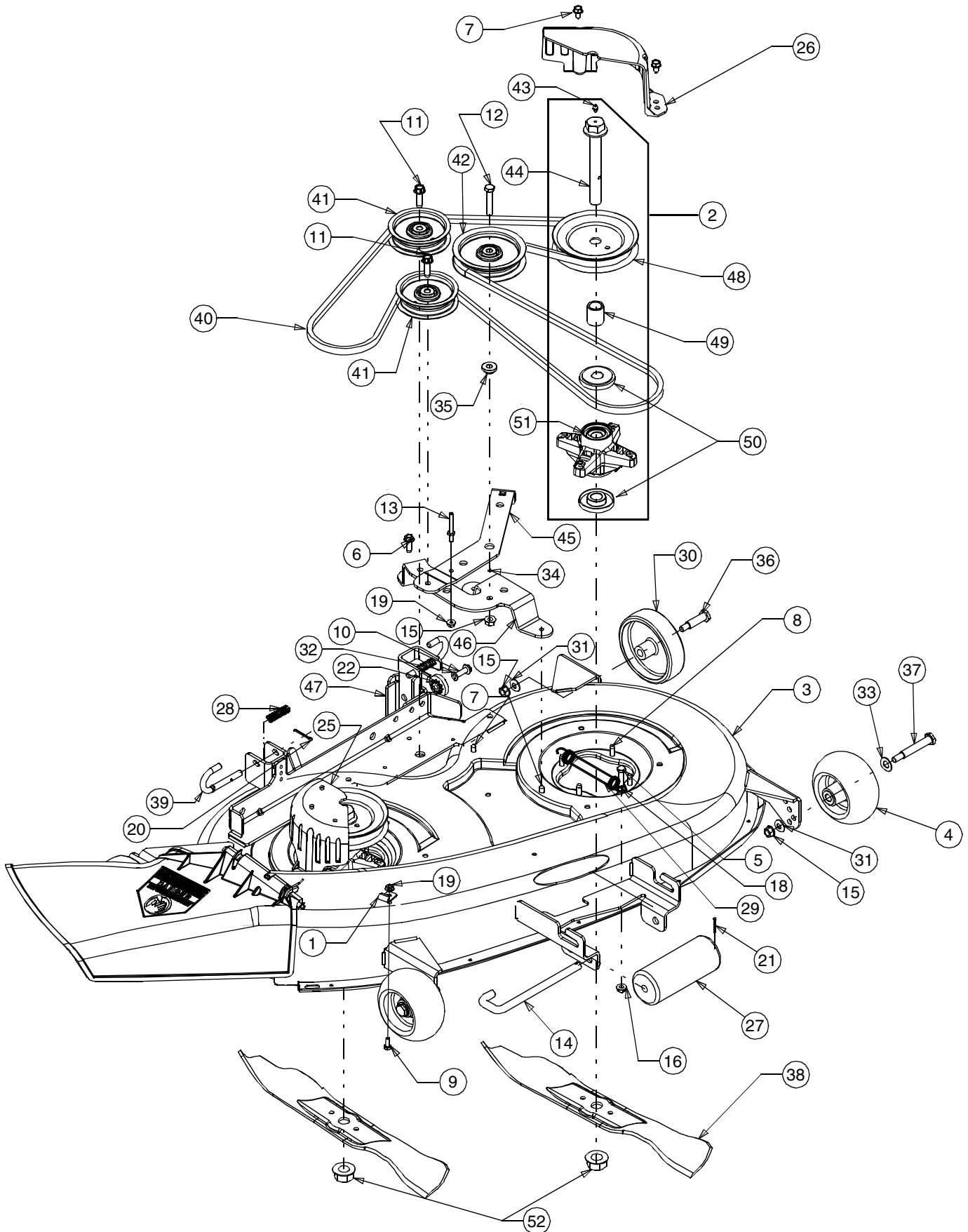
POWER TAKE-OFF (PTO) SYSTEM



POWER TAKE-OFF (PTO) SYSTEM

REF. NO.	PART NUMBER	DESCRIPTION	QTY.
1	683-0450	Plate Assembly, Engagement (Model 1517)	1
2	710-0520	Screw, 3/8-16, 1.5 (Model 1517)	1
3	710-0831	Screw, 3/8-16, 5.5 (Model 1517)	1
4	710-1238	Screw, 5/16-18, .875	2
5	710-3144	Screw, 3/8-16, 2.0 (Model 1517)	1
6	712-0229	Push Nut, 3/8 (Model 1517)	1
7	712-0431	Nut, Flange Lock, 3/8-16	4
8	712-3004A	Nut, Flange Lock, 5/16-18	3
9	712-3017	Nut, 3/8-16 (Model 1517)	1
10	714-0470	Cotter Pin, 1/8 x 1.25 (Model 1517)	1
11	732-0384	Spring, Extension .62 x 6.12 (Model 1517)	1
12	732-0991A	Belt Guard (Model 1517)	1
13	736-0140	Washer, Flat .385 x .62 x .063 (Model 1517)	1
14	736-3010	Washer, Flat .407 x .812 x .135 (Model 1517)	2
15	738-0372	Shoulder Spacer, .380	1
16	748-0415A	Spacer, 3/8 x 1.54	2
17	756-0627B	Pulley, Idler, 3.5 (Model 1517)	1
18	756-1208	Pulley, Idler, 4.0 (Model 1517)	1
19	783-0891B	Deck Stop	1
20	717-1773	Clutch, Electric PTO, 6" (Model 1515)	1
	717-1708	Clutch, Electric PTO (Model 1517)	1
21	736-0277	Washer, Flat, 1.031 x 1.620 x .095	1
22	738-0785	Spacer, Shoulder, 1.38 x .445 x .36	1
23	736-0171	Washer, Lock, 7/16, Regular Duty	1
24	710-3157	Screw, 7/16-20, 3.25, Gr5	1
25	710-3025	Screw, 5/16-18, .625, Gr5	2
26	783-1003	Bracket, Clutch	1
27	754-0644	Belt, V-type (Model 1517)	1

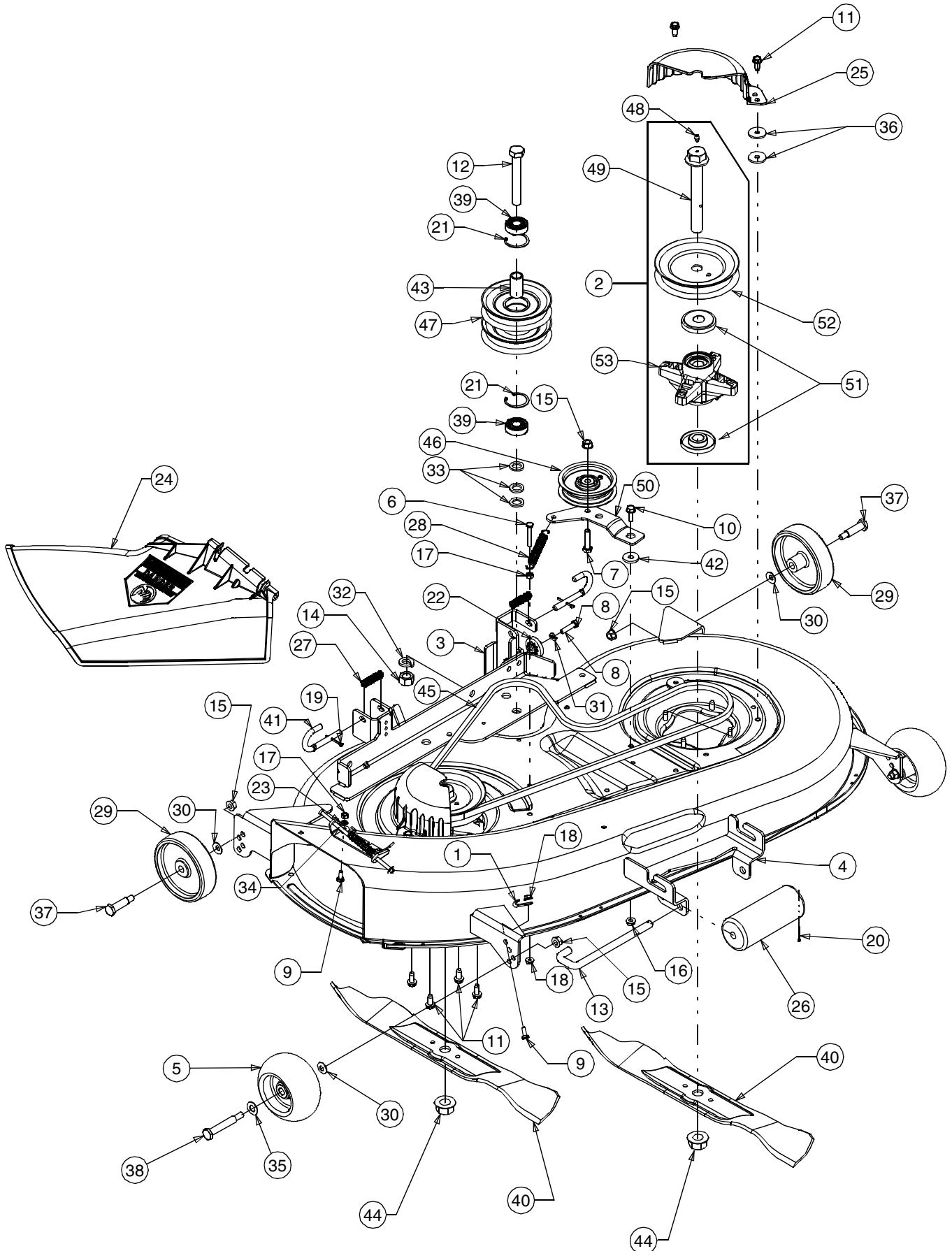
38-INCH CUTTING DECK



38-INCH CUTTING DECK

REF. NO.	PART NUMBER	DESCRIPTION	QTY.
1	16606	Bracket, Hook, Retainer	1
2	618-0676	Spindle Assembly, 38"	2
3	683-0611	Deck Assembly, 38"	1
4	703-1890	Wheel, Deck, 5.0 OD w/ Fitting	2
5	710-0528	Screw, 5/16-18, 1.25, Gr5	1
6	710-0602	Screw, Self-tapping, 5/16-18, 1.000	1
7	710-0604A	Screw, 5/16-18, 0.625	6
8	710-0650	Screw, Self-tapping, 5/16-18, 0.875	8
9	710-0751	Screw, 1/4-20, .620, Gr5	3
10	710-0817	Screw, Self-tapping, 5/16-18, 1.250	1
11	710-1315	Screw, Self-tapping, 3/8-16, 1.250	2
12	710-3144	Screw, 3/8-16, 2.00, Gr5	1
13	711-0747	Pin, Guide, .250 Dia x 1.68 Lg	1
14	711-3314	Roller Pin 1/2" x 7.31 Lg	1
15	712-0431	Nut, Flange Lock, 3/8-16	5
16	712-3004A	Nut, Flange Lock, 5/16-18, Gr5	1
17	712-3006	Nut, Hex, 1/4-20, Gr5	2
18	712-3010	Nut, Hex, 5/16-18, Gr5	1
19	712-3027	Nut, Flange Lock, 1/4-20	2
20	714-0470	Pin, Cotter, 1/8 x 1.25	2
21	714-3004	Pin, Cotter, 3/32 x 1.25	1
22	717-1553B	Adjustment Gear, Deck	1
23	726-0233	Nut, Push, .25 ID x .50 OD	2
24	731-1032B	Chute Assembly, Side Discharge	1
25	731-2231B	Cover, Belt, Deck	1
26	731-2609A	Cover, Belt, Deck, LH	1
27	731-3005	Front Roller	1
28	732-0306	Spring, Compression, .406 x .531 x 1.75 Lg	2
29	732-0556	Spring, Extension .94 x 7.57	1
30	734-0973	Wheel Deck 5.0 x 1.38	2
31	736-0105	Washer, Bell, .375 x .870 x .063	4
32	736-0119	Washer, Lock, 5/16, Regular Duty	1
33	736-0272	Washer, Flat, .510 x 1.00 x .060	2
34	737-3007	Grease, Alvania Ep 2	1
35	738-0372A	Spacer, Shoulder, 1.00 x .38 x .38	1
36	738-0373	Shoulder Screw	2
37	738-3056	Shoulder Screw - 1/2 Dia x 2.50 Lg.	2
38	742-3032	Blade, 19.38 Lg, 3-in-1	2
39	747-1116	Rod, Handle, Deck Release .375 Dia	2
40	754-0641	Belt, V-Type	1
41	756-0627B	Pulley, Idler, 3.50 Dia.	2
42	756-1229	Pulley, Idler, 4.06 Dia. w/ Flange	1
43	737-3000	Fitting, 3/16 Drive Lube	2
44	710-1889	Bolt, Spindle, 3/4-16, 5.85	2
45	783-1417	Bracket, Idler, Arm	1
46	783-1418	Bracket, Idler	1
47	783-1433	Bracket, Deck, Hanger Adjustment	1
48	756-3106	Pulley	2
49	750-1000	Spacer, .80 x 1.10 x 1.330	2
50	748-3065	Spacer, Spindle, Deck	4
51	618-3129A	Spindle Housing Assembly	2
	750-3190A	Spacer, Bearing, .780 x 1.000 x 1.0425	2
	721-3018A	Seal, Oil, Single Lip	4
	741-3029	Cup, Bearing	4
	741-3028	Bearing, Cone	4
	719-3118A	Housing, Spindle, Deck	2
52	712-3078	Nut, Flange, 3/4-16	2

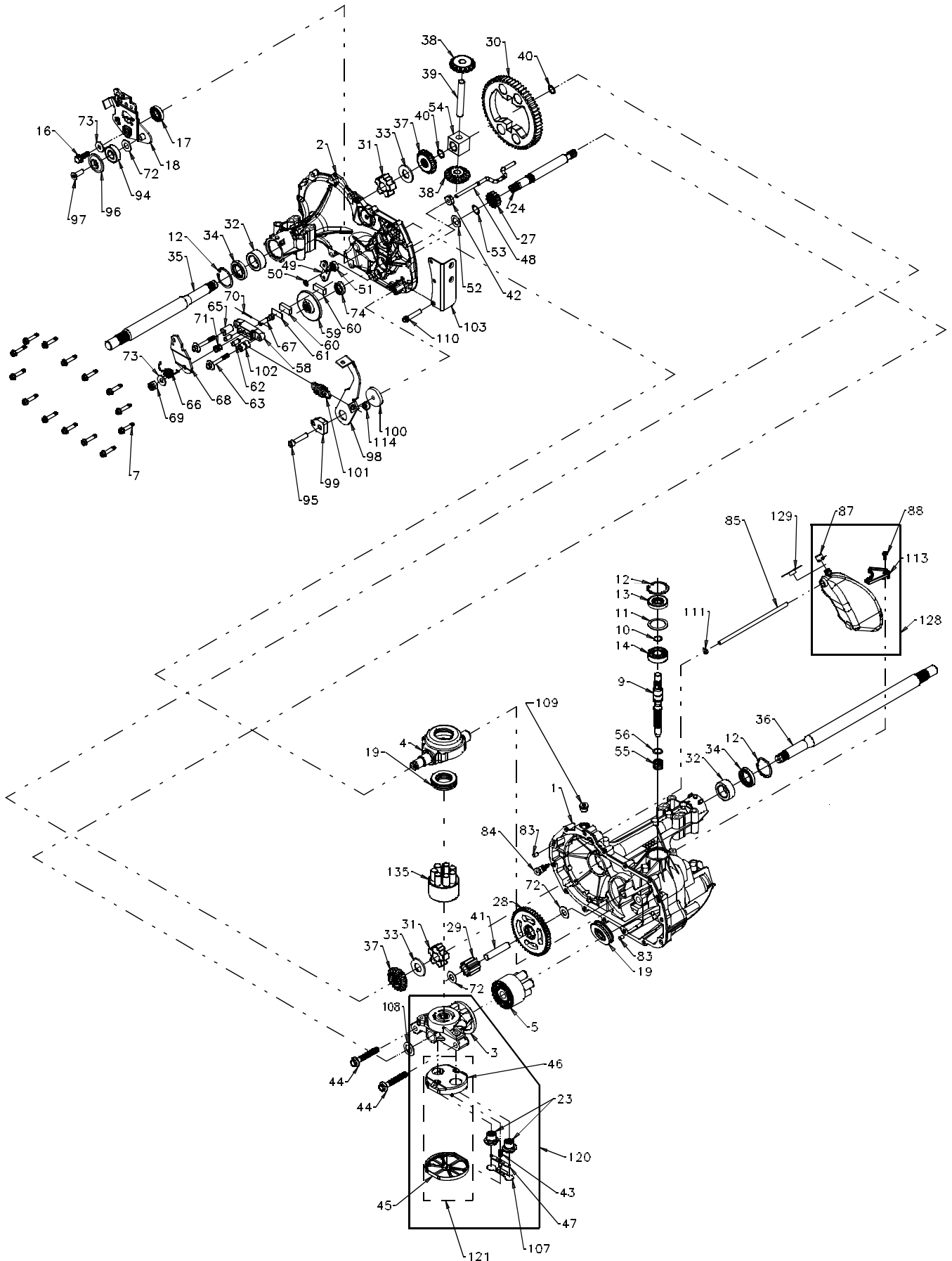
42-INCH CUTTING DECK



42-INCH CUTTING DECK

REF. NO.	PART NUMBER	DESCRIPTION	QTY.
1	16606	Bracket, Hook, Retainer	1
2	618-0677	Spindle Assembly, 42"	2
3	683-0254	Bracket Assembly, Deck, Hanger LH	1
4	683-0607	Deck Assembly, 42"	1
5	703-1890	Wheel, Deck, 5.0 OD w/ Fitting	2
6	710-0136	Screw, 1/4-20, 1.75, Gr5	1
7	710-0520	Screw, 3/8-16, 1.50, Gr5	1
8	710-0528	Screw, 5/16-18, 1.25, Gr5	1
9	710-0751	Screw, 1/4-20, .620, Gr5	3
10	710-1238	Screw, 5/16-18, .875, Gr5	1
11	710-1260A	Screw, 5/16-18, .750	12
12	710-3151	Screw, 5/8-18, 4.25, Gr5	1
13	711-3314	Roller Pin, 1/2" x 7.31 Lg	1
14	712-0337	Nut, Hex, 5/8-18, Gr5	1
15	712-0431	Nut, Flange Lock, 3/8-16	5
16	712-3004A	Nut, Flange Lock, 5/16-18, Gr5	1
17	712-3006	Nut, Hex, 1/4-20, Gr5	3
18	712-3027	Nut, Flange Lock, 1/4-20	2
19	714-0470	Pin, Cotter, 1/8 x 1.25	2
20	714-3004	Pin, Cotter, 3/32 x 1.25	1
21	716-3020	Snap Ring, Internal	2
22	717-1553B	Adjustment Gear, Deck	1
23	726-0233	Nut, Push, .25 ID x .50 OD	2
24	731-1032B	Chute Assembly, Side Discharge	1
25	731-2486A	Cover, Belt, 42" Deck	2
26	731-3005	Front Roller	1
27	732-0306	Spring, Compression, .406 x .531 x 1.75 Lg	2
28	732-0470A	Spring, Extension .530 OD x 4.74 Lg	1
29	734-0973	Wheel Deck 5.0 x 1.38	2
30	736-0105	Washer, Bell, .375 x .870 x .063	4
31	736-0119	Washer, Lock, 5/16, Regular Duty	1
32	736-0158	Washer, Lock, 5/8, Regular Duty	1
33	736-0162	Washer, Flat .64 ID x 1.00 OD x .12	3
34	736-0270	Washer, Bell, .265 x .75 x .062	2
35	736-0272	Washer, Flat, .510 x 1.00 x .060	2
36	736-0343	Washer, Flat, .330 x 1.25 x .120	8
37	738-0373	Shoulder Screw	2
38	738-3056	Shoulder Screw - 1/2 Dia x 2.50 Lg.	2
39	741-0524	Bearing, .625 ID x 1.574 OD x .470	2
40	742-3033	Blade, 21.20 Lg, 3-in-1	2
41	747-1116	Rod, Handle, Deck Release .375 Dia	2
42	748-0331	Spacer, Shoulder .625 Dia x .324 Dia	1
43	750-0932A	Spacer, .635 ID x .88 x 1.72	1
44	712-3078	Nut, Flange, 3/4-16	2
45	754-0645	Belt, V-Type	1
46	756-0627B	Pulley, Idler, 3.50 Dia.	1
47	756-1202	Pulley, Double, 5.0 x 5.0	1
48	737-3000	Fitting, 3/16 Drive Lube	2
49	710-1889	Bolt, Spindle, 3/4-16, 5.85	2
50	783-1291	Bracket, Idler	1
51	748-3065	Spacer, Spindle, Deck	4
52	756-3106	Pulley	2
53	618-3129A	Spindle Housing Assembly	2
	750-3190A	Spacer, Bearing, .780 x 1.000 x 1.0425	2
	721-3018A	Seal, Oil, Single Lip	4
	741-3029	Cup, Bearing	4
	741-3028	Bearing, Cone	4
	719-3118A	Housing, Spindle, Deck	2

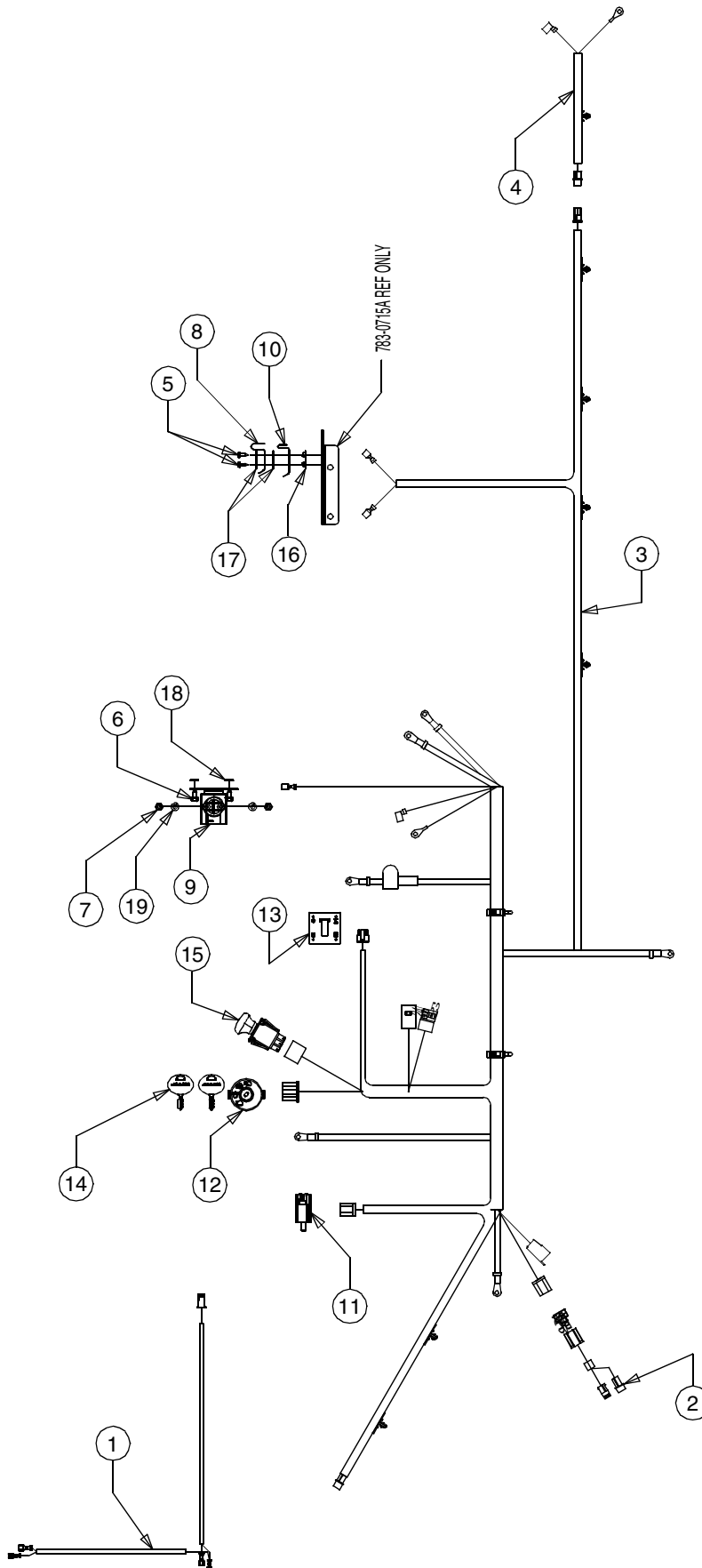
HYDROSTATIC TRANSMISSION



HYDROSTATIC TRANSMISSION

REF. NO.	PART NUMBER	DESCRIPTION	QTY.	REF. NO.	PART NUMBER	DESCRIPTION	QTY.
1	HG-70721	Main Housing, Assembly, Black	1	56	HG-2003017	Washer	1
2	HG-70720	Side Housing, Assembly, Black	1	57	737-3121	20W-50 Oil (Gal)	78.8
3	HG-70724	Center Section, Assembly	1	58	HG-44092	Brake Yoke	1
4	HG-51048	Swashplate, Trunnion Machined	1	59	HG-51072	Rotor, Brake	1
5	HG-70331	Block - Assembly	1	60	HG-44132	Brake Puck	2
6	HG-50928	Sealant	10.5	61	HG-44134	Puck Plate	1
7	HG-51190	Hex Flange Screw 1/4-20 x 1.25	14	62	HG-44127	Brake Actuating Pin	2
9	HG-51062	Shaft, Input	1	63	HG-51146	Bolt, 1/4-20 x 2 w/patch, Special Flange	2
10	HG-2000022	Ring - Retaining	1	65	HG-23711	Spacer	1
11	HG-50951	Spacer	1	66	HG-51345	Spring, Brake Arm Bias	1
12	HG-50329	Ring - Retaining	3	67	HG-44138	Square Head Bolt 5/16-24- Ribbed	1
13	HG-51161	Seal, Lip .67 x 1.58 x .276	1	68	HG-44094	Arm, Brake	1
14	HG-50315	Ball Bearing 17mm x 40mm x 12mm	1	69	HG-44142	Slotted Hex Nut 5/16-24	1
16	HG-51064	Hex Flange Head Screw 5/16-24 x 0.75	1	70	HG-44101	Cotter Pin 3/32 x 3/4	1
17	HG-51140	Lip Seal 18 x 32 x 7	1	71	HG-50919	Compression Spring Brake Anti-drag	1
18	HG-51119	Arm, Control	1	72	HG-50132	Washer, Ht .5 ID x 1 OD x .032	3
19	HG-50551	Bearing, 30x52x13 Thrust	2	73	HG-44130	Flat - Washer 11/32 ID x 7/8 OD	2
23	HG-51084	Check Plug Assembly, .027, Washer	2	74	HG-44761	Oil Seal .625 x 1.0 x.25	1
24	HG-50966	Shaft, Motor	1	83	HG-9004800-2506	Pin, Standard Headless	2
27	HG-51130	Gear - Pinnion, 13t	1	84	HG-51143	Fitting, 5/16 Sae 5/32 Tube	1
28	HG-51129	10t / 48t Gear	1	85	HG-51147	Hose, Expansion Tank	1
29	HG-51043	Gear, 10t Jackshaft	1	87	HG-51251	Cap, Vent	1
30	HG-51044	60t Bull Gear	1	88	HG-50653	Bolt, Self Tapping 10-32 x 1/2	1
31	HG-51088	Sleeve Bearing .75 x 1.750 x .625	2	94	HG-44147	Ball Bearing .62 ID x 1.38 x .44	1
32	HG-51517	Sleeve Bearing 1.00 x 1.575 x .625	2	95	HG-50837	Socket Head Screw, 5/16-24 x 1-1/2	1
33	HG-44875	Washer, 3/4 ID x 1-1/2 OD x .13	2	96	HG-51200	Spacer, Locating	1
34	HG-51518	Lip Seal Axle Seal	2	97	HG-50870	Screw	1
35	HG-51520	Shaft, Black, Axle 1.00 x 11.99 Flange	1	98	HG-51120	Arm, Return	1
36	HG-51521	Shaft, Black, Axle 1.00 x 17.59 Flange	1	99	HG-51097	Puck, Adjusting	1
37	HG-44096	Miter Gear (Splined)	2	100	HG-51122	Washer, .325 OD x 1.60 ID x .150	1
38	HG-44097	Miter Gear 15t (0.5 ID)	2	101	HG-51131	Spring, Extension	1
39	HG-50146	Shaft	1	102	HG-51123	Spacer .560 OD x .260 ID x .870	1
40	HG-44871	Ring, Spiral Retaining	2	103	HG-51223	Bracket, Torque	1
41	HG-51083	Pin, Jackshaft	1	107	HG-51134	Deflector	1
42	HG-51100	Magnet, Ring	1	108	HG-51069	Washer, Shaft .71 ID x 1.15 OD x .030	1
43	HG-51136	Spring, Bypass	1	109	HG-9005110-5600	Plug, SAE #6	1
44	HG-50016	Hydro Mounting Screw 3/8-24 x 2.5 Lg	2	110	HG-50868	Torx Head Screw, 5/16-18	1
45	HG-51132	Filter	1	111	HG-51144	O-ring .07 x .301 ID	1
46	HG-51133	Base, Filter	1	113	HG-51179	Bracket, support Expansion Tank	1
47	HG-51091	Actuator, Bypass	1	114	HG-51184	Spring Guide	1
48	HG-51098	Rod, Bypass Actuator	1	116	HG-51196	Silicon Sponge	1
49	HG-51135	Arm, Bypass	1	120	HG-70725	Center Section - Filter - Bypass Ass'y	1
50	HG-51116	Retaining Ring 0.250 External	1	121	HG-70466	Filter Assembly	1
51	HG-51081	Seal, Lip .741 x .250 x .250 Tc	1	122	HG-70722	Seal - O-ring Kit	1
52	HG-44371	Flat Washer, 5/8 ID x 1.0 OD x .05	1	128	HG-70503	Kit, Expansion Tank	1
53	HG-44145	Retaining Ring	1	129	HG-51252	Cap, Expansion Tank Shipping	1
54	HG-51071	Bearing, Center Block	1	135	HG-70723	Block, Assembly 7 Piston	1
55	HG-2003014	Spring - Helical Compression	1				

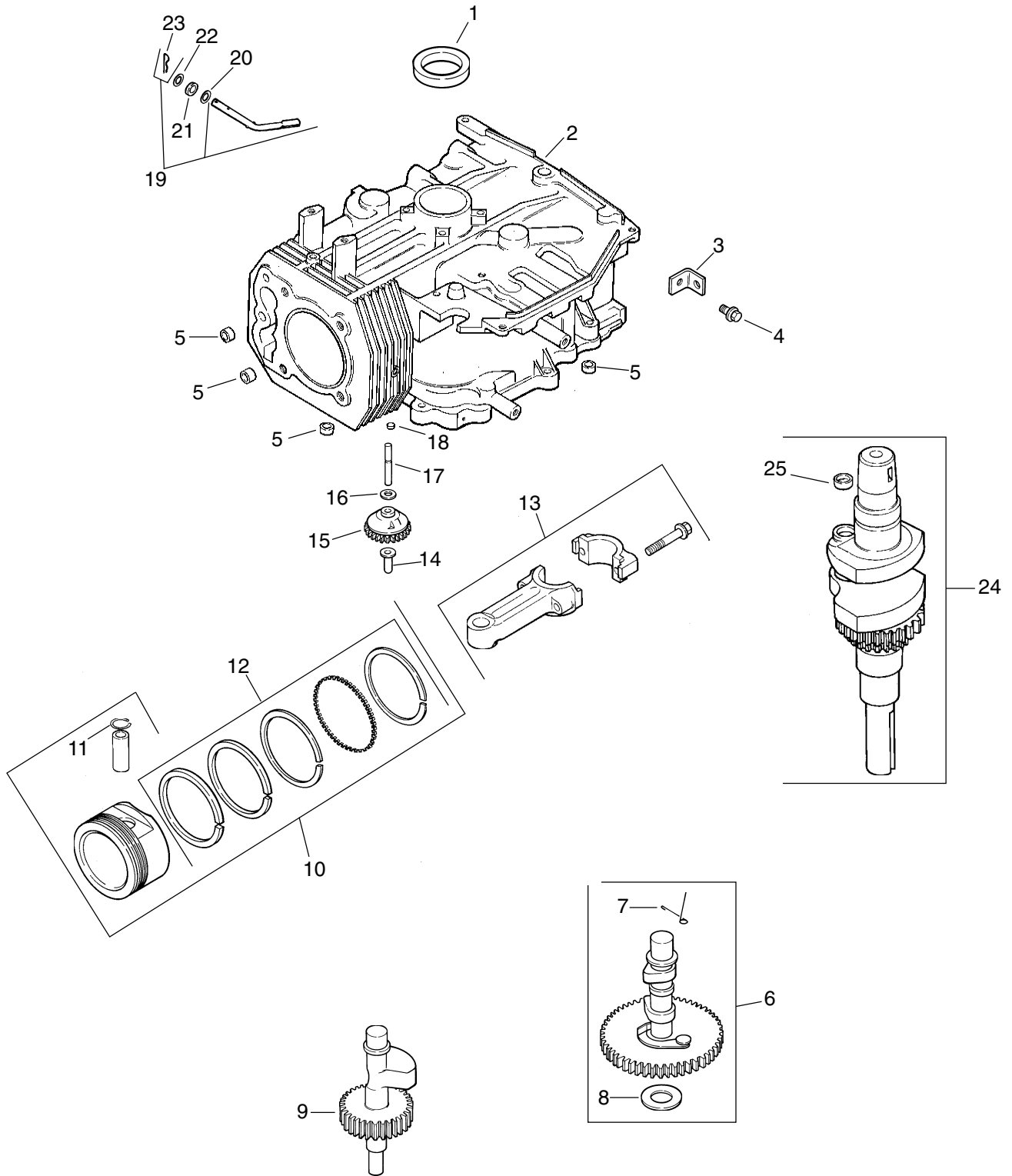
ELECTRICAL SYSTEM



ELECTRICAL SYSTEM

REF. NO.	PART NUMBER	DESCRIPTION	QTY.
1	629-0469A	Harness Assembly, Headlight	1
2	629-0889	Harness Assembly, <i>Kohler</i> OHV Alternator	1
3	629-1105	Harness Assembly, <i>Kohler</i> ,	1
4	629-1106	Harness Assembly, Safety, Reverse	1
5	710-0227	Screw, Ab, #8-18, 0.500	2
6	710-0599	Screw, Self-tapping, 1/4-20, 0.500	2
7	712-3006	Nut, Hex, 1/4-20, Gr5	2
8	725-1303	Switch, Outer Seat Spring	1
9	725-1426	Solenoid, 12V, 100amp	1
10	725-1439	Switch, Inner Seat Spring	1
11	725-1657A	Switch, Snap Mount	1
12	725-1741	Switch, Key, 4-Position	1
13	725-1976	Indicator, Monitor, Hour Meter	1
14	725-2054	Key, Switch, Plastic	2
15	725-3233	Switch, Electric PTO, Yellow Knob	1
16	726-0278	Plate, Insulator Boss	1
17	726-0279	Plate, Insulator	2
18	736-0222	Washer, Lock, Ext 1/4	2
19	736-0329	Washer, Lock, 1/4, Regular Duty	2

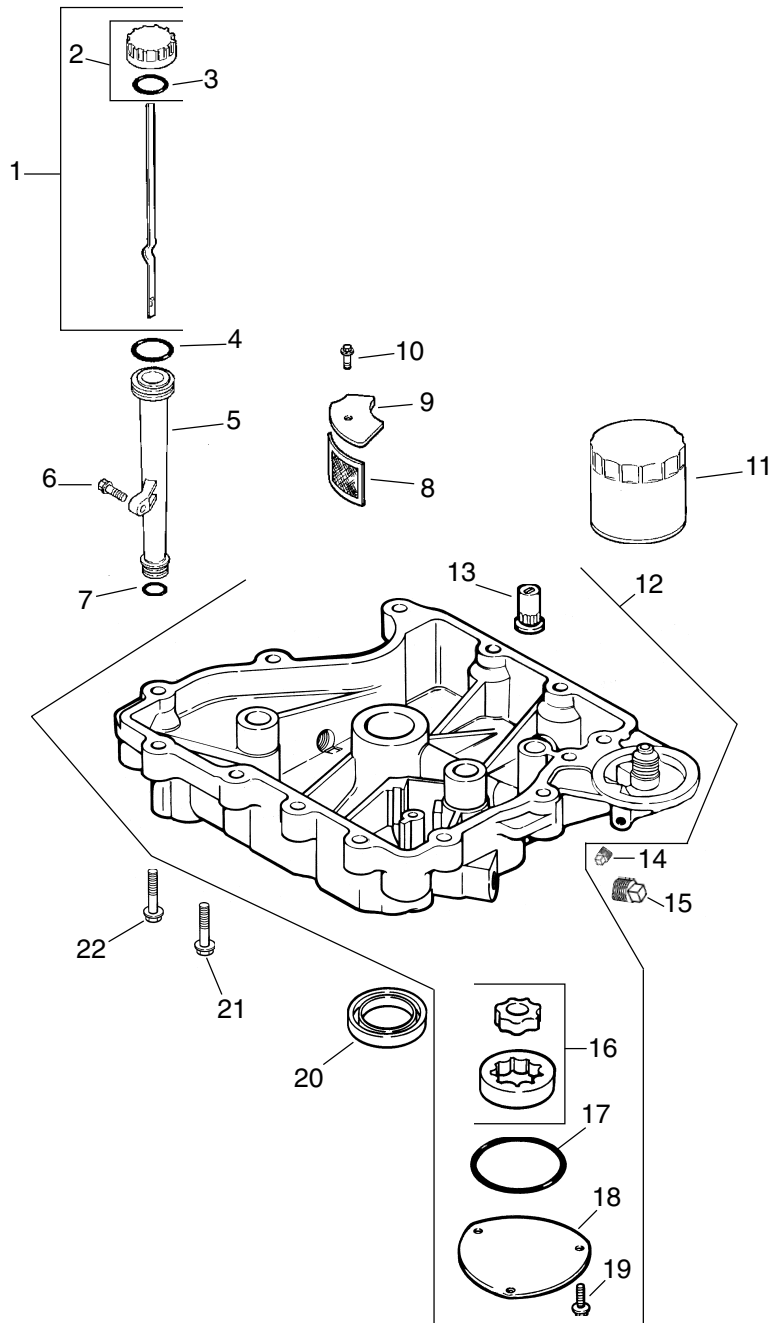
ENGINE CRANKSHAFT & CRANKCASE



ENGINE CRANKSHAFT & CRANKCASE

REF. NO.	PART NUMBER	DESCRIPTION	QTY.
1	KH-12 032 03-S	Seal, Crankshaft	1
2	KH-12 522 51	Crankcase (Short Block)	1
3	KH-12 445 02-S	Strap, Lifting	1
4	KH-M-839025-S	Screw, Hex. Flange M8 X 1.25 X 25	1
5	KH-24 380 13-S	Pin, Locating	1
6	KH-12 755 49-S	Kit, Camshaft (Includes 7, 8)	1
7	KH-12 089 31-S	Spring, Actuating	1
8	KH-12 422 08-S	Shim, Camshaft - Blue	AR
	KH-12 422 09-S	Shim, Camshaft - Red	AR
	KH-12 422 10-S	Shim, Camshaft - Yellow	1
	KH-12 422 11-S	Shim, Camshaft - Green	AR
	KH-12 422 12-S	Shim, Camshaft - Gray	AR
	KH-12 422 13-S	Shim, Camshaft - Black	AR
	KH-12 422 07-S	Shim, Camshaft - White	AR
9	KH-12 144 27-S	Shaft, Balance (Model 1515)	1
	KH-12 144 28-S	Shaft, Balance (Model 1517)	1
10	KH-12 874 07-S	Piston w/ Ring Set (Std.) (Includes 11, 12)	1
	KH-12 874 08-S	Piston w/ Ring Set (.25)	1
	KH-12 874 09-S	Piston w/ Ring Set (.50)	1
	KH-12 874 11-S	Piston w/ Ring Set (.08)	1
11	KH-12 018 02-S	Retainer, Piston Pin	1
12	KH-12 108 07-S	Ring Set (Std. & .08)	1
	KH-12 108 08-S	Ring Set (.25)	1
	KH-12 108 09-S	Ring Set (.50)	1
13	KH-12 067 05-S	Connecting Rod (Std.) (Model 1515)	1
	KH-12 067 11-S	Connecting Rod (Std.) (Model 1517)	1
	KH-12 067 06-S	Connecting Rod (.25)(Model 1515)	1
	KH-12 067 12-S	Connecting Rod (Std.) (Model 1517)	1
14	KH-12 380 01-S	Pin, Governor Regulating	1
15	KH-12 043 05-S	Gear, Governor	1
16	KH-M-631005-S	Washer, Plain 6 Mm	1
17	KH-12 144 02-S	Shaft, Governor Gear	1
18	KH-52 139 09-S	Plug, Cup	1
19	KH-12 755 64-S	Kit, Governor Cross Shaft w/clip (Incl. 23)	1
20	KH-X-25-102-S	Washer, Plain 1/4"	1
21	KH-12 032 01-S	Seal, Governor Cross Shaft	1
22	KH-M-631015-S	Washer, Plain 6 Mm	1
23	KH-12 154 05-S	Clip, Hitch Pin	1
24	KH-12 041 37-S	Crankshaft (Includes 25) (Model 1515)	1
	KH-12 041 57-S	Crankshaft (Includes 25) (Model 1517)	1
25	KH-12 139 01-S	Plug, Cup (Model 1515)	1
	KH-12 139 27-S	Plug, Cup (Model 1517)	1

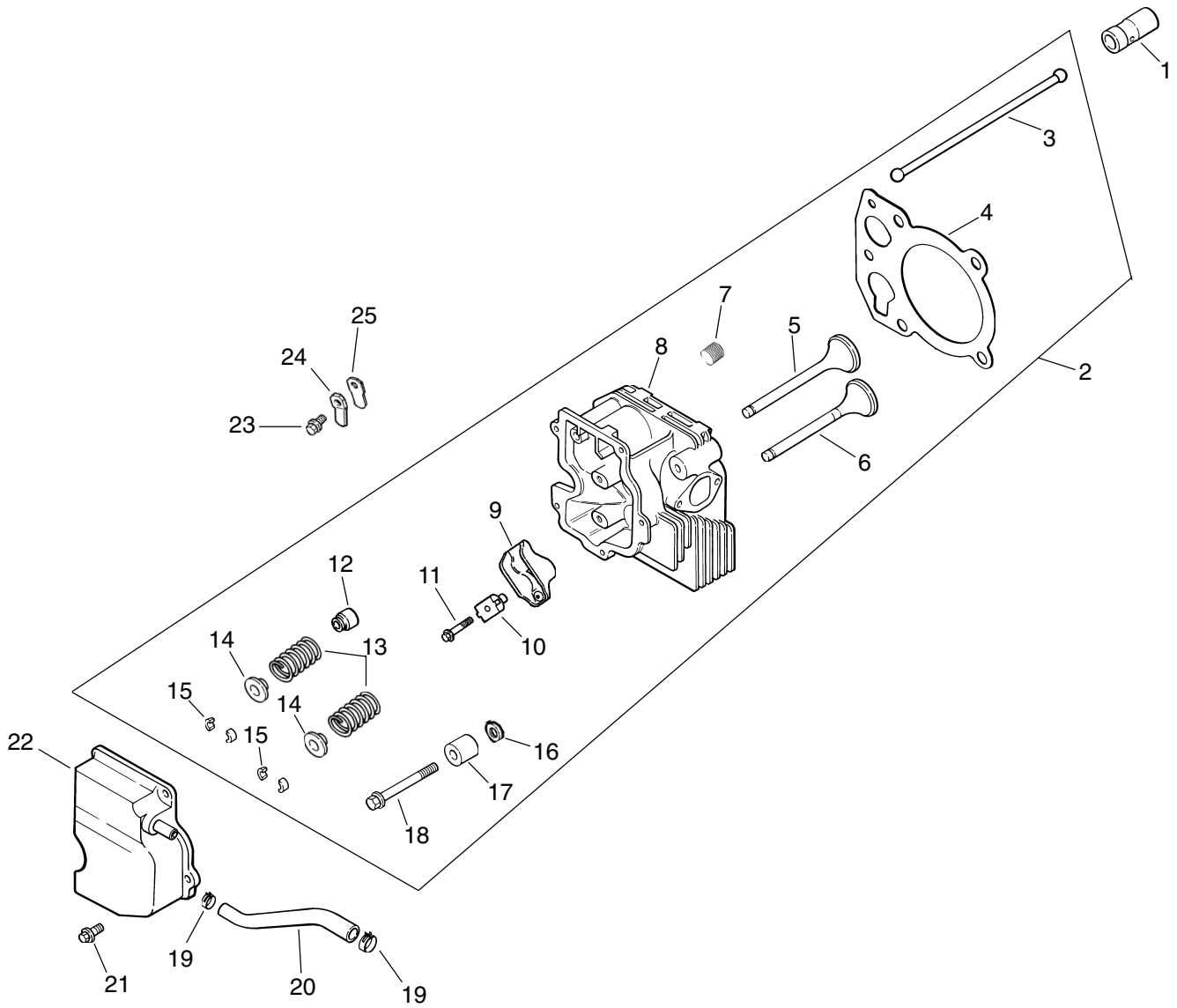
ENGINE OIL PAN & LUBRICATION



ENGINE OIL PAN & LUBRICATION

REF. NO.	PART NUMBER	DESCRIPTION	QTY.
1	KH-12 038 01-S	Dipstick (Includes 2, 3)	1
2	KH-24 755 46-S	Kit, Oil Fill Cap (Includes 3)	1
3	KH-12 153 03-S	O-ring	1
4	KH-12 153 02-S	O-ring, Upper Oil Fill Tube	1
5	KH-12 123 04-S	Tube, Oil Fill	1
6	KH-M-645025-S	Screw, Hex. Flange M6 x 1.0 x 25	1
7	KH-12 153 01-S	O-ring, Lower Oil Fill Tube	1
8	KH-25 162 07-S	Screen, Oil Pickup	1
9	KH-12 096 03-S	Cover, Oil Pickup Screen	1
10	KH-M-545016-S	Screw, Hex. Flange M5 x 0.8 x 16	1
11	KH-12 050 08-S	Filter, Oil	1
12	KH-12 199 50-S	Pan, Oil (Includes 13, 16-19)	1
13	KH-25 462 09-S	Valve, Oil Pressure Relief	1
14	KH-25 139 52-S	Plug, Sq. Hd. 1/8"	1
15	KH-25 139 57-S	Plug, Sq. Hd. Solid 3/8"	2
16	KH-12 393 01-S	Pump Assembly, Oil	1
17	KH-12 153 06-S	O-ring, Oil Pump Cover	1
18	KH-12 096 34-S	Cover, Oil Pump	1
19	KH-M-545016-S	Screw, Hex. Flange M5 x 0.8 x 16	3
20	KH-12 032 03-S	Seal, Oil (P.T.O. End)	1
21	KH-24 086 16-S	Screw, Hex. Flange M8 x 1.25 x 45	11
22	KH-24 086 17-S	Screw, Hex. Flange M8 x 1.25 x 45	1

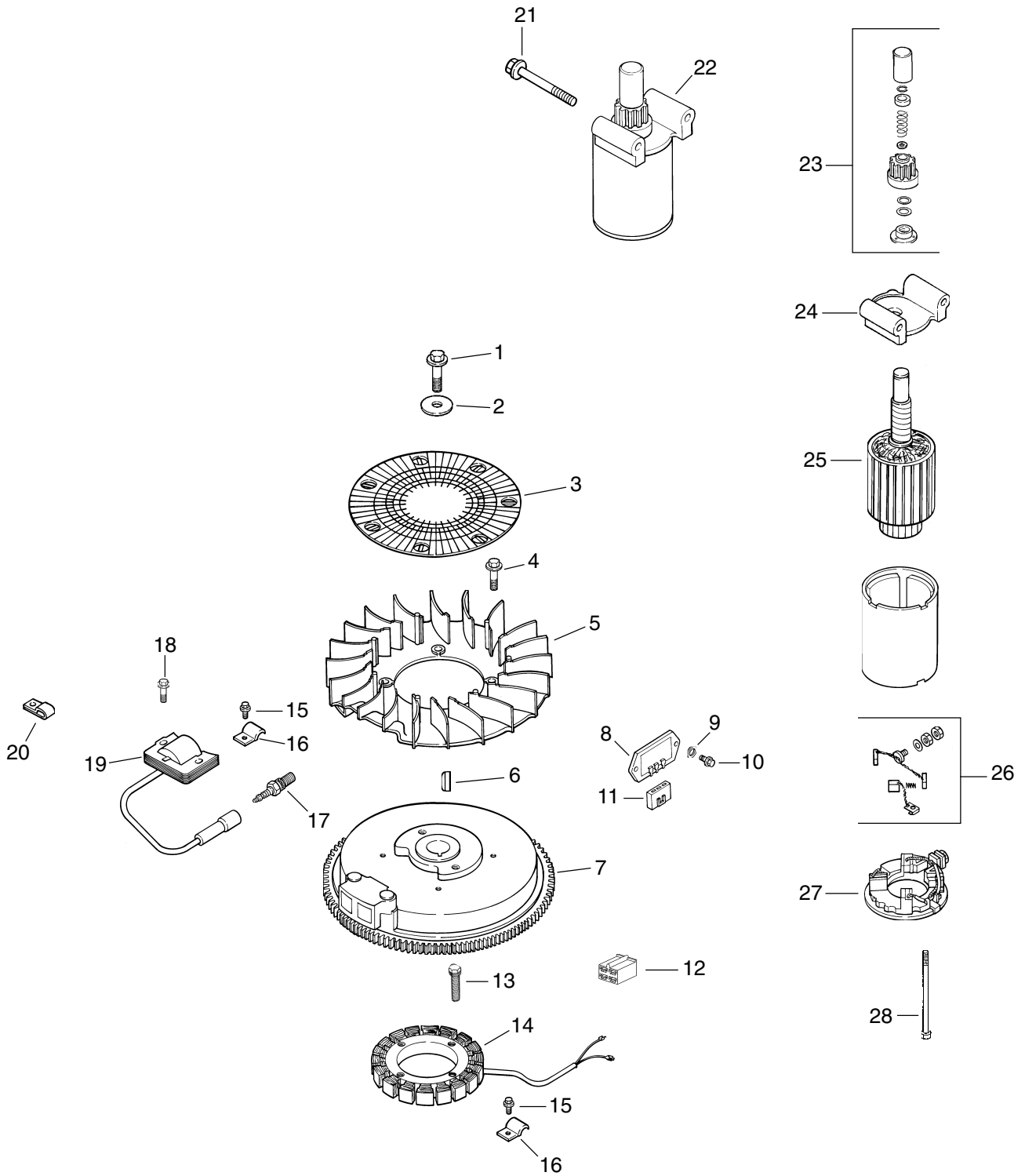
ENGINE CYLINDER HEAD & VALVES



ENGINE CYLINDER HEAD & VALVES

REF. NO.	PART NUMBER	DESCRIPTION	QTY.
1	KH-25 351 01-S	Lifter, Valve	2
2	KH-12 755 81-S	Kit, Cylinder Head (Model 1515) (Incl. 3-17, Carburetor Gasket (2), Air Cleaner Base Gasket, Exhaust Manifold Gasket)	1
	KH-12 755 94-S	Kit, Cylinder Head (Model 1517) (Incl. 3-17, Carburetor Gasket (2), Air Cleaner Base Gasket, Exhaust Manifold Gasket)	1
3	KH-12 411 01-S	Rod, Push (Model 1515)	2
	KH-12 411 03-S	Rod, Push (Model 1517)	2
4	KH-12 041 10-S	Gasket, Cylinder Head	1
5	KH-12 017 01-S	Valve, Intake (Std.)	1
6	KH-12 016 01-S	Valve, Exhaust (Std.)	1
7	KH-25 139 60-S	Plug, Allen Hd. 1/8" Pipe	1
8	KH-12 318 19-S	Cylinder Head (Model 1515)	2
	KH-12 318 36-S	Cylinder Head (Model 1517)	2
9	KH-25 186 01-S	Arm, Rocker	2
10	KH-12 599 03-S	Pivot, Rocker Arm	2
11	KH-M-640034-S	Screw, Hex. Flange M6 x 1.0 x 34	2
12	KH-66 032 05-S	Seal, Valve Stem	2
13	KH-12 089 34-S	Spring, Valve	2
14	KH-12 173 01-S	Cap, Valve Spring	2
15	KH-12 755 03-S	Kit, Retainer	2
16	KH-12 468 05-S	Washer, Plain 13/32"	1
17	KH-12 112 13-S	Spacer, Head Bolt Exhaust Port	1
18	KH-12 086 15-S	Screw, Hex. Flange M10 x 1.5 x 81	5
19	KH-25 237 14-S	Clamp, Hose	2
20	KH-12 326 03-S	Hose, Breather	1
21	KH-M-645020-S	Screw, Hex. Flange M6 x 1.0 x 20	5
22	KH-12 096 07-S	Cover, Valve W/nipple	1
23	KH-M-545010-S	Screw, Hex. Flange M5 x 0.8 x 10	1
24	KH-12 018 01-S	Retainer, Breather Reed	1
25	KH-12 402 02-S	Reed, Breather	1
—	KH-12 017 02-S	Valve, Intake (.25)	1
—	KH-12 016 02-S	Valve, Exhaust (.25)	1
—	KH-12 041 01-S	Gasket, Carburetor	2
—	KH-12 041 02-S	Gasket, Air Cleaner Base	1
—	KH-12 041 03-S	Gasket, Exhaust Manifold	1

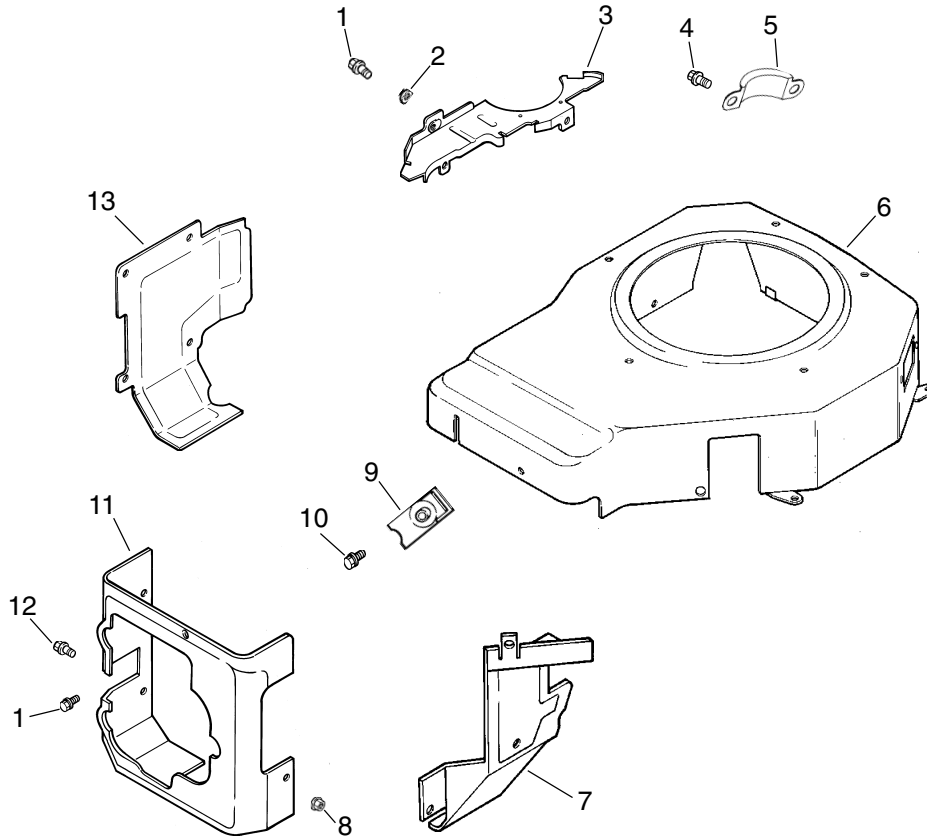
ENGINE IGNITION & ELECTRIC STARTER



ENGINE IGNITION & ELECTRIC STARTER

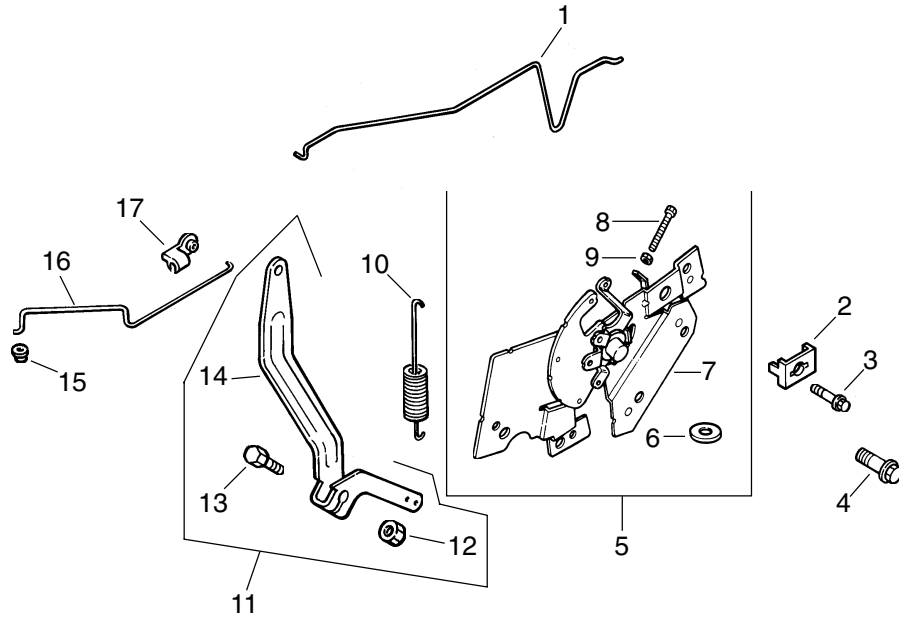
REF. NO.	PART NUMBER	DESCRIPTION	QTY.
1	KH-12 086 14-S	Screw, Hex. Flange M10 x 1.5 x 46	1
2	KH-12 468 03-S	Washer, Plain 3/8"	1
3	KH-24 162 03-S	Screen, Grass	1
4	KH-25 086 47-S	Bolt, Shoulder M6 x 1.0 x 16	4
5	KH-12 157 06-S	Fan	1
6	KH-X-42-15-S	Key	1
7	KH-12 025 15-S	Flywheel	1
8	KH-41 403 09-S	Rectifier-regulator	1
9	KH-X-22-11-S	Washer, Lock 1/4	2
10	KH-M-639016-S	Screw, Hex. Flange M6 x 1.0 x 16	2
11	KH-236602-S	Connector, Rectifier-regulator (3 Contact)	1
12	KH-41 155 02-S	Connector (4 Contact)	1
13	KH-M-548025-S	Screw, Hex. Cap M5 x 0.8 x 25	2
14	KH-237878-S	Kit, Stator (Includes Terminal 25 452 01-S)	1
15	KH-M-545010-S	Screw, Hex. Flange M5 x 0.8 x 10	2
16	KH-X-728-1-S	Clip	2
17	KH-12 132 02-S	Spark Plug	1
18	KH-M-545020-S	Screw, Hex. Flange M5 x 0.8 x 20	2
19	KH-12 584 04-S	Module, Ignition	1
20	KH-12 154 06-S	Clip	2
21	KH-M-839070-S	Screw, Hex. Flange M8 x 1.25 x 70	2
22	KH-12 098 22-S	Starter Assembly (Includes 3-8)	1
23	KH-12 755 53-S	Kit, Drive	1
24	KH-12 227 19-S	Cap, Drive End	1
25	KH-12 070 05-S	Armature	1
26	KH-12 221 01-S	Brush Assembly	1
27	KH-12 227 13-S	Commutator, End Cap	1
28	KH-12 211 01-S	Bolt, Thru	2
—	KH-25 452 01-S	Terminal	2
—	KH-X-25-5-S	Washer, Plain	1
—	KH-12 176 38-S	Harness, Wiring	1
—	KH-12 518 01-S	Lead, White (19" - 18 Guage Fully Insulated Push On Tab And Uninsulated Push On Terminals)	1
—	KH-24 518 12-S	Lead, Black (6" - 12 Guage - Insulated Grip Barrel Eyelet Terminals)	1
—	KH-25 518 05-S	Lead, Black (5" - 14 Guage -uninsulated Push On Tab Terminals)	1

ENGINE BLOWER HOUSING



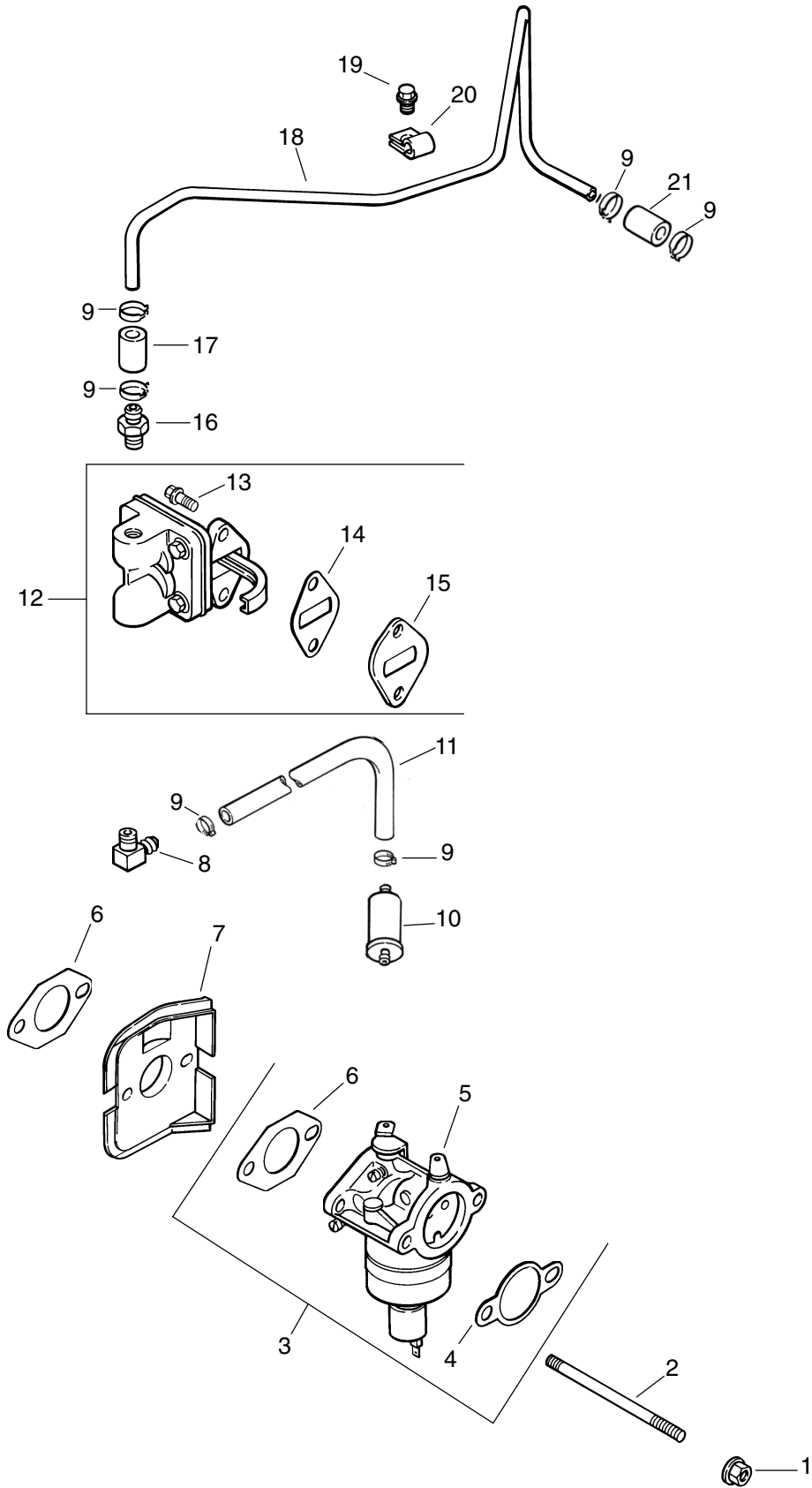
REF. NO.	PART NUMBER	DESCRIPTION	QTY.
1	KH-M-545010-S	Screw, Hex. Flange M5 x 0.8 x 10	5
2	KH-24 468 10-S	Washer, Plain 1/4"	1
3	KH-12 146 07-S	Plate, Blower Housing	1
4	KH-M-550010-S	Screw, Hex. Flange M5 x 0.8 x 10	2
5	KH-24 096 05-S	Cover, Pinion	1
6	KH-12 027 55-S	Housing, Blower	1
7	KH-12 063 18-S	Baffle, Intake Side	1
8	KH-M-541050-S	Nut, Hex. Flange M5 x 0.8 (Model 1517)	3
9	KH-25 154 02-S	Clip, Mounting	2
10	KH-M-645016-S	Screw, Hex. Flange M6 x 1.0 x 16	1
11	KH-12 063 20-S	Baffle, Cylinder Head	3
12	KH-12 086 37-S	Screw, Captive Washer M5 x 0.8 x 20	1
13	KH-12 063 19-S	Baffle, Cylinder	2
—	KH-24 086 18-S	Screw, Phillips Hd. 11-16 x 7/8"	2
—	KH-X-25-92-S	Screw, Phillips Hd. 11-16 x 7/8"	2

ENGINE CONTROLS



REF. NO.	PART NUMBER	DESCRIPTION	QTY.
1	KH-12 079 11-S	Linkage, Choke	1
2	KH-12 237 01-S	Clamp, Cable	2
3	KH-M-545016-S	Screw, Hex. Flange M5 x 0.8 x 16	2
4	KH-M-664020-S	Screw, Lobed Socket M6 x 1.0 x 20	2
5	KH-12 536 02-S	Control, Speed Assembly (Incl. 6-9)	1
6	KH-230293-S	Spacer, Shim .005	1
7	KH-12 126 75-S	Bracket, Control (Model 1517)	1
8	KH-M-401030-S	Screw, Hex. Flange M4 x 0.7 x 30	1
9	KH-M-446030-S	Nut, Hex. M4 x 0.7	1
10	KH-52 089 07-S	Spring, Governor	1
11	KH-12 755 83-S	Kit, Governor Lever (Includes 12-14)	1
12	KH-12 100 07-S	Nut, Hex. Flange M6 x 1.0	1
13	KH-52 211 04-S	Screw, Hex. Flange M6 x 1.0 x 25	1
14	KH-12 090 28-S	Lever, Governor	1
15	KH-25 158 08-S	Bushing, Linkage Retaining	1
16	KH-12 079 10-S	Linkage, Throttle	1
17	KH-25 158 11-S	Bushing, Linkage Retaining	1

ENGINE CARBURETOR & FUEL PUMP

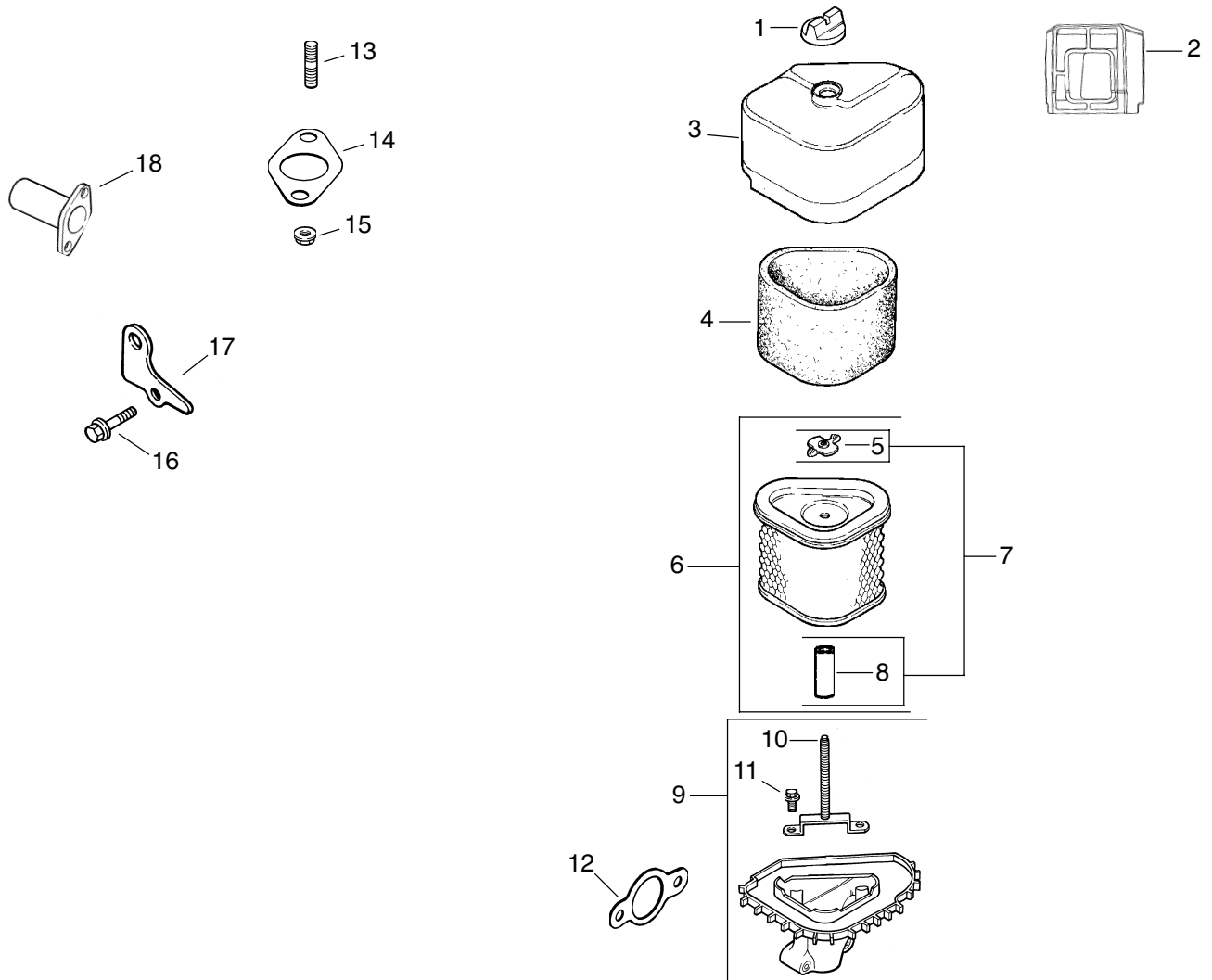


ENGINE CARBURETOR & FUEL PUMP

REF. NO.	PART NUMBER	DESCRIPTION	QTY.
1	KH-M-641060-S	Nut, Hex. Flange M6 x 1.0	2
2	KH-M-629116-S	Stud M6 x 1.0 x 116 (2)	2
3	KH-12 853 117-S	Kit, Carburetor W/ Gaskets (Includes 4, 5, 6 [Qty. 1], Tie KH-12 454 03-S, & Terminal KH-25 452 20-S)	1
4	KH-12 041 02-S	Gasket, Air Cleaner	1
5	KH-12 053 117	Carburetor Assembly	1
6	KH-12 041 01-S	Gasket, Carburetor	2
7	KH-12 265 06-S	Deflector, Heat	1
8	KH-25 155 02-S	Connector, 90x Hose	1
9	KH-25 237 14-S	Clamp, Fuel Line	6
10	KH-25 050 07-S	Filter, Fuel	1
11	KH-25 353 02-S	Line, Fuel 3"	1
12	KH-12 559 01-S	Kit, Fuel Pump (Includes 13-15)	1
13	KH-M-645020-S	Screw, Hex. Flange M6 x 1.0 x 20	2
14	KH-25 041 09-S	Gasket, Fuel Pump	2
15	KH-12 112 05-S	Spacer, Fuel Pump	1
16	KH-25 326 03-S	Connector, Straight Hose	1
17	KH-12 353 01-S	Line, Fuel 1-1/4"	1
18	KH-12 123 19-S	Line, Fuel - Metal	1
19	KH-M-545010-S	Screw, Hex. Flange M5 x 0.8 x 10	1
20	KH-12 154 01-S	Clamp, Fuel Line	1
21	KH-41 353 18-S	Line Fuel 2-1/2"	1
—	KH-12 757 02-S	Kit, Float	1
—	KH-12 757 03-S	Kit, Carburetor Repair	1
—	KH-12 757 33-S	Kit, Solenoid Repair	1
—	KH-12 518 24-S	Lead, Red (20" - 18 Guage - Insulated Socket And Uninsulated Push On Tab Terminals)	1
—	KH-12 454 03-S	Tie, Wire	3
—	KH-M-561010-S	*Screw, Thread Forming M5 x 0.8 x 10	1
—	KH-X-22-11-S	*Washer, Lock 1/4"	1

* Used to attach carburetor ground lead to carburetor baffle

ENGINE AIR INTAKE AND EXHAUST



REF. NO.	PART NUMBER	DESCRIPTION	QTY.
1	KH-25 341 03-S	Knob, Air Cleaner Cover	1
2	KH-12 281 01-S	Duct, Air (Model 1517)	1
3	KH-12 096 24-S	Cover, Air Cleaner	1
4	KH-12 083 12-S	Precleaner	1
5	KH-12 100 08-S	Wing Nut	1
6	KH-12 083 10-S	Element, Air Cleaner (Includes 5, 7, 8)	1
7	KH-12 743 12-S	Kit, Air Cleaner Seal (Includes 5, 8)	1
8	KH-12 032 11-S	Seal	1
9	KH-12 094 07-S	Base, Air Cleaner (Includes 10, 11)	1
10	KH-12 072 04-S	Stud M6 x 1.0 x 79	1
11	KH-12 086 01-S	Screw, #10 Hi-Lo Thread Forming	1
12	KH-12 041 02-S	Gasket, Air Cleaner	2
13	KH-25 072 05-S	Stud M8 x 1.25 x 39	1
14	KH-12 041 03-S	Gasket, Exhaust Manifold	1
15	KH-M-841080-S	Nut, Hex. Flange M8 x 1.25	1
16	KH-M-645025-S	Screw, Hex. Flange M6 x 1.0 x 25	1
17	KH-12 445 06-S	Strap, Lifting	1
18	KH-12 382 05-S	Pipe, Inlet	1
—	KH-12 755 93-S	Gasket Set	1

NOTES

CUB CADET LLC, P.O. BOX 361131 CLEVELAND, OHIO 44136-0019

Free Manuals Download Website

<http://myh66.com>

<http://usermanuals.us>

<http://www.somanuals.com>

<http://www.4manuals.cc>

<http://www.manual-lib.com>

<http://www.404manual.com>

<http://www.luxmanual.com>

<http://aubethermostatmanual.com>

Golf course search by state

<http://golfingnear.com>

Email search by domain

<http://emailbydomain.com>

Auto manuals search

<http://auto.somanuals.com>

TV manuals search

<http://tv.somanuals.com>