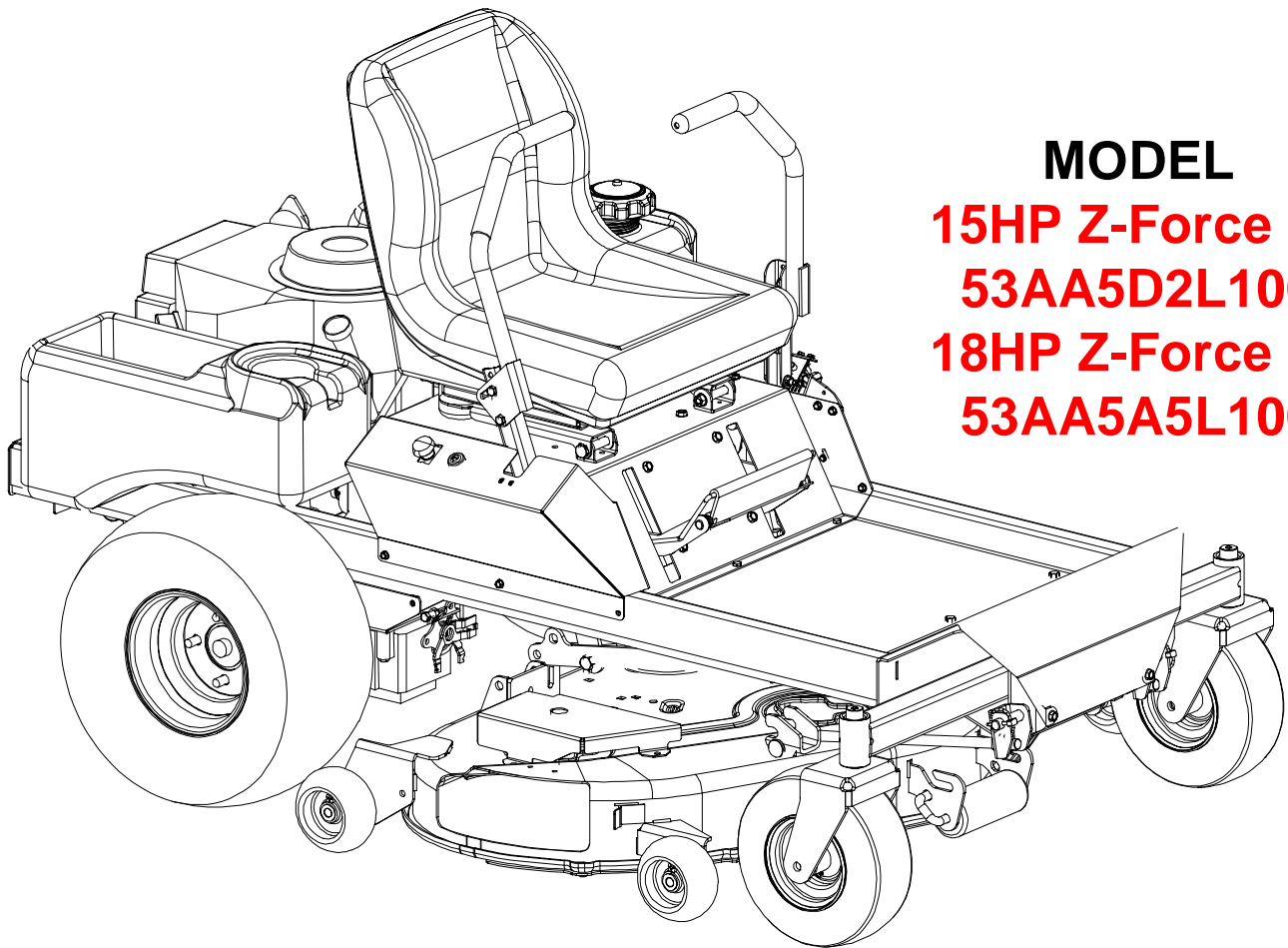


Cub Cadet

Hydrostatic Zero-Turn Residential Riding Mower

Turf Equipment



MODEL

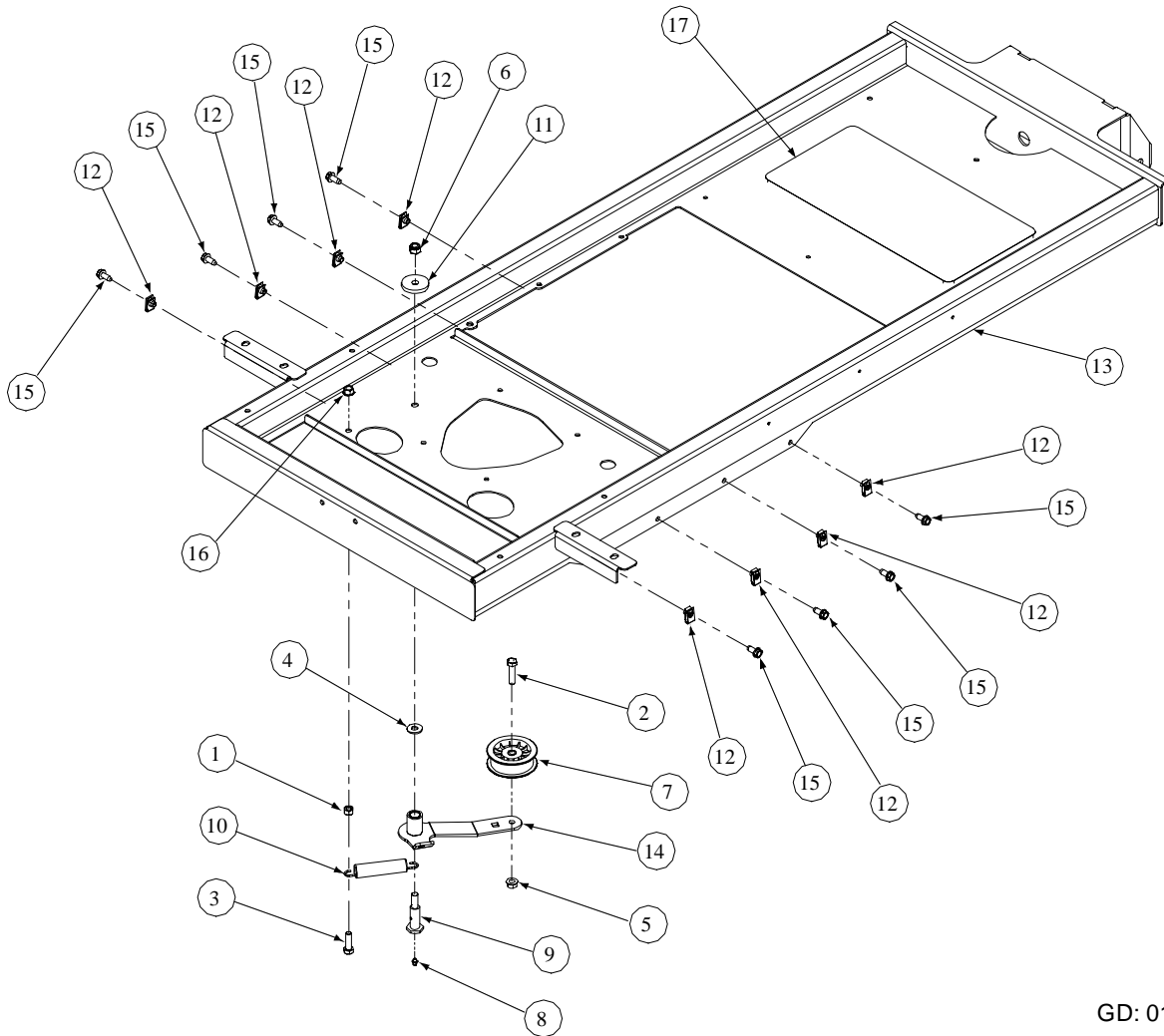
15HP Z-Force 44
53AA5D2L100
18HP Z-Force 44
53AA5A5L100

ILLUSTRATED PARTS LIST

TABLE OF CONTENTS

Frame Assembly	3
44" Formed Cutter Deck	4
Control Assembly	6
Front Caster & Tire Assembly	8
Steering Assembly	9
Drivetrain Assembly	10
15 HP Kawasaki Engine Assembly	11
18 HP Briggs & Stratton Engine Assembly	12
Electrical Assembly	13
Lift Assembly	14
Hydro IZT Transmission L.H. 344-2400L	16
Hydro IZT Transmission R.H. 344-2400L	20
Decal Map	23
18 HP Briggs & Stratton Engine Parts Breakdown	24
15 HP Kawasaki Engine Parts Breakdown	30

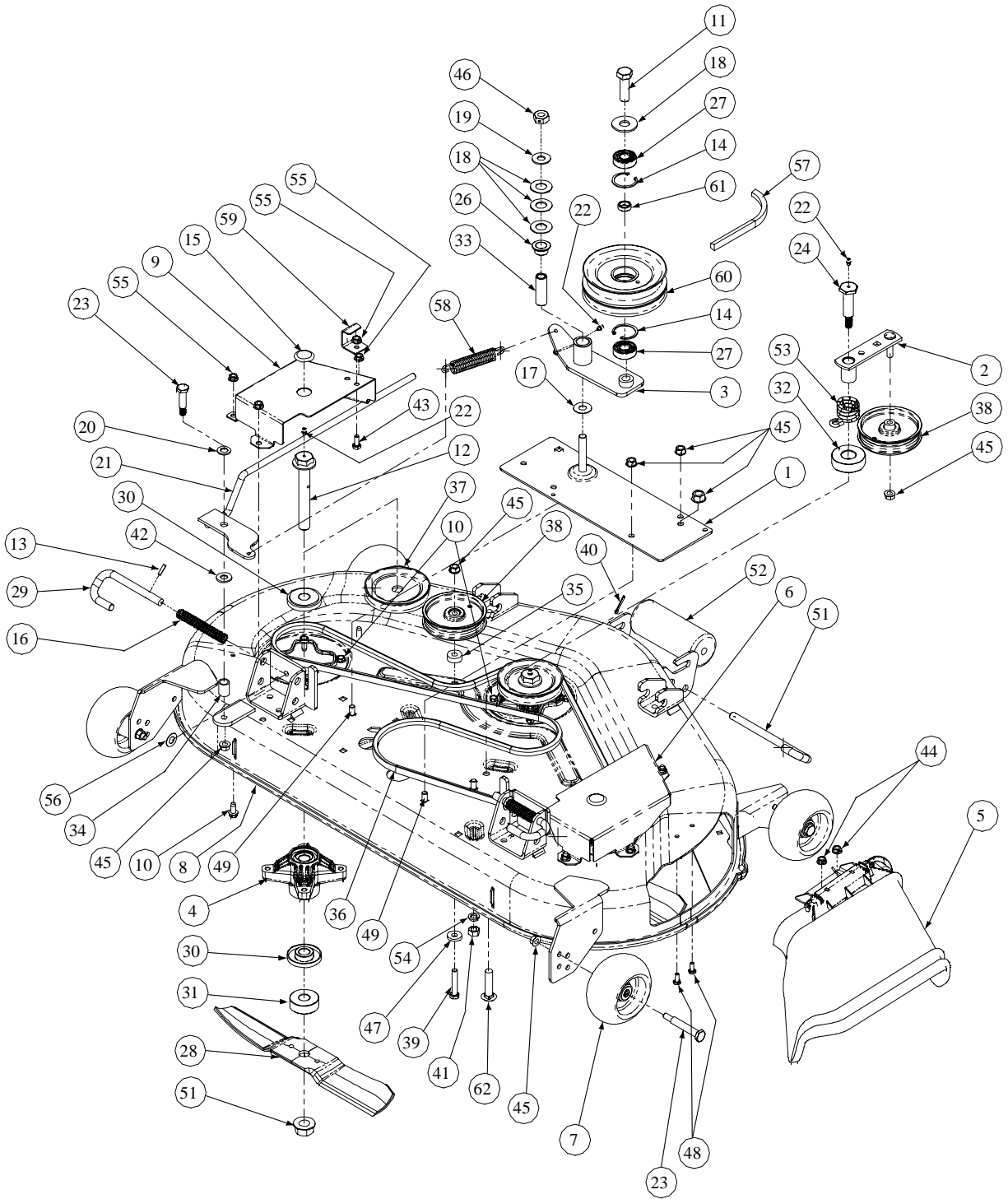
Frame Assembly- Figure 1 and Parts List



GD: 01008104-T04

Ref. No.	Part No.	Description	Qty.
1	00012166	Hex Nut, 5/16-18	1
2	00011438	Hex Cap Screw, 3/8-16 x 1-1/2	1
3	00013116	Hex Cap Screw, 5/16-18 x 1-1/4	1
4	00006168	Flat Washer, 3/8 zinc	1
5	00022560	Hex Nut, 3/8-16 Flange Lock	1
6	00027279	Nylock Nut, 7/16-14	1
7	00030782	Flat Idler Pulley w/ adaptor	1
8	00060078	Grease Fitting, 1/4-28 x 3/16	1
9	01000505	Shoulder Bolt	1
10	01002874	Extension Spring, .865 OD x 4.68 lg	1
11	01003269	Flat Washer, 7/16 ID x 1.75 OD	1
12	01003563	U-Nut, 5/16-18	8
13	01008480	Frame Assembly Weldment	1
14	01008399	Idler Arm Assembly	1
15	01008764	Hex Washer Screw 5/16-18 x .750	8
16	01000635	Nut, 5/16-18, Hexflange Lock	1
17	01006528	Abrasive Foot Pad	1

44" Formed Cutter Deck - Figure 2

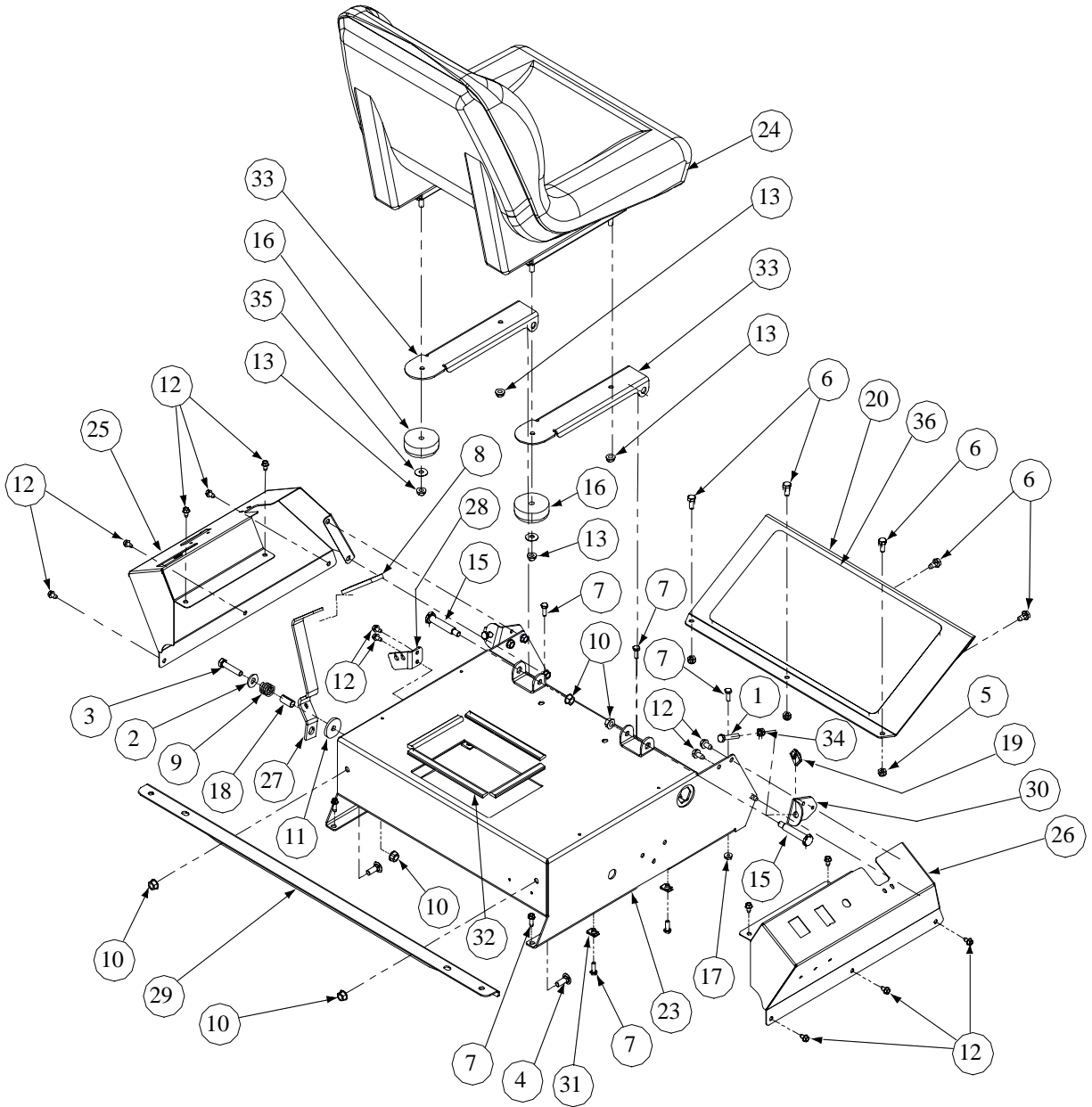


GD: 01008112-T09

44" Formed Cutter Deck - Parts List for Figure 2

Ref. No.	Part No.	Description	Qty.	Ref. No.	Part No.	Description	Qty.
1	01008590	Deck Mounting Plate Assembly	1	32	01008456	Spacer .760 ID x 1.5 OD	1
2	01008593	Idler Arm Assembly	1	33	750-0656	Spacer .50 OD x .75 ID	1
3	01008589	Idler Assembly	1	34	750-0150	Spacer .550 ID x .750 OD	1
4	618-3129	Spindle Assembly	3	35	750-3119	Spacer .406 ID x 1.0 OD	1
5	631-0094	Chute Assembly	1	36	754-3039	Belt	1
6	01008587	Belt Cover Right Hand	1	37	756-3089	Pulley	3
7	703-1890	Deck Wheel	4	38	01004081	Flat Pulley	2
8	01008481	Deck Assembly 44"	1	39	00002528	Hex Cap Screw 3/8-16 x 2.00	1
9	01008586	Belt Cover Left Hand	1	40	00003107	Cotter Pin .125 Dia x 1.0	1
10	01008620	Self Tapping Screw 5/16-18 x .750	18	41	00005763	Hex Nut 7/16-14	1
11	01008530	Hex Cap Screw 5/8-18 x 4.25	1	42	00010958	Flat Washer .50 ID x 1.065 OD	1
12	710-1852	Spindle Bolt 3/4-16 x 5.37	3	43	00013406	Hex Cap Screw 5/16-18 x .75	1
13	715-3003	Pin	2	44	01002766	Nut, 1/4-20, hexflange Lock	2
14	716-3020	Internal Snap Ring	2	45	00022560	Hex Nut, 3/8-16, Flange Lock	11
15	726-3045	Button Plug	2	46	00023287	Nut, 1/2-20, Center Lock	1
16	732-0802	Compression Spring .63 OD x 6.3	2	47	00083192	Idler Washer	1
17	736-0100	Flat Washer .531 ID x 1.25 OD	1	48	01000338	Hex Cap Screw 1/4-20 x .620	2
18	736-0188	Flat Washer .76 ID x 1.49 OD	4	49	01000372	Carriage Bolt 3/8-16 x .75	3
19	736-0179	Flat Washer .50 ID x 1.25 OD	1	50	01000375	Roller Pin 1/2 x 7.31	1
20	01000873	Flat Washer .536 ID x .93 OD	1	51	01000380	Nut, 3/4-16, Hex Flange	3
21	01008538	Deck Handle Weldment	1	52	01000385	Front Roller	1
22	737-3000	Grease Fitting	5	53	732-3067	Idler Torsion Spring	1
23	738-3056	Shoulder Screw 1/2 x 2.5	4	54	01000389	Lock Washer 7/16	1
24	738-3172	Shoulder Screw .68 x 2.11	1	55	01000635	Lock Nut 5/16-18 Hex Flange	7
25	738-0213	Shoulder Screw .498 x 1.445	1	56	01000930	Flat Washer .508 ID x 1.0 OD	2
26	741-0338	Flange Bearing .75 ID x .52	2	57	01002391	Belt	1
27	741-0524	Bearing .625 ID x 1.574 OD	2	58	01002874	Extension Spring .865 OD x 4.68	1
28	01008616	Blade	3	59	01004863	Tension Rod Stop Bracket	1
29	747-3013	Support Pin	2	60	01008376	Double Pulley	1
30	748-3065	Spindle Spacer	6	61	01008404	Spacer .635 ID x .88 OD	1
31	748-3020	Blade Spacer	3	62	00030276	Carriage Bolt 3/8-16 x 1.50	1

Control Assembly - Figure 3

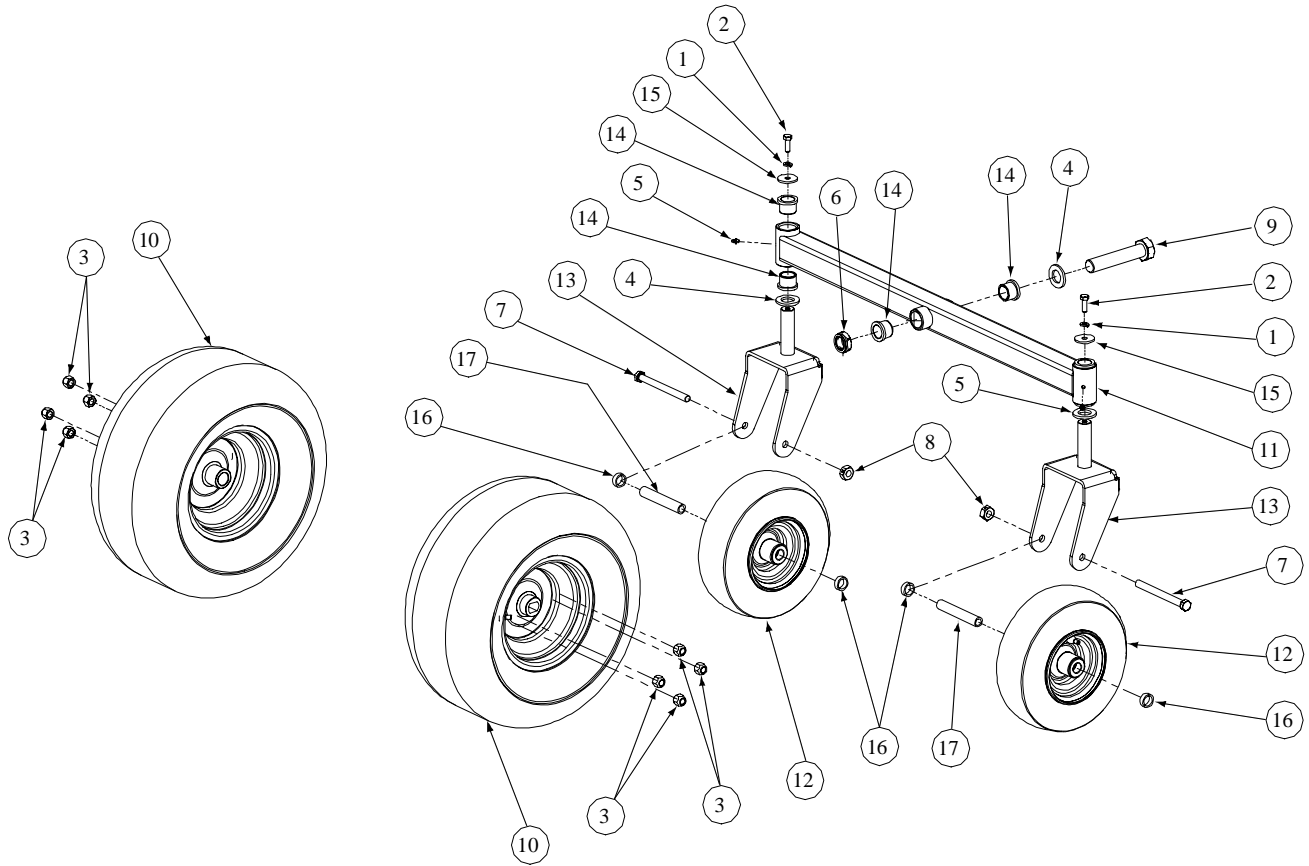


GD: 01008105-T12

Control Assembly - Parts List for Figure 3

Ref. No.	Part No.	Description	Qty.
1	00012382	Hex Cap Screw, 5/16-18 x 1-1/2	2
2	00083192	Idler Washer	1
3	00008495	Capscrew, 3/8-16 x 1-3/4	1
4	01000372	Carriage Bolt, 3/8-16	2
5	00012165	Nylock Nut, 5/16-18	3
6	01008620	Self Tapping Screw, 5/16-18 x 3/4	5
7	01008763	Hex Cap Screw, 1/4-20 x 3/4	9
8	00013595	Parking Brake Grip	1
9	00021797	Spring, .80 OD x 1 Lg	1
10	00022560	Hex Nut, 3/8-16 Flange Lock	5
11	01000872	Flat Washer, 1.25 x .411 x .100	1
12	01000628	Screw, 1/4-20 x 1/2	18
13	01000635	Hex Nut, 5/16-18 Flange Lock	4
14	--	--	--
15	01002634	Shoulder Screw, 3/8-16, .5 x 2.345	2
16	01002753	Groment, 2.5 OD x 1.0 Lg	2
17	01002766	Hex Nut, 1/4-20 Flange Lock	3
18	01002772	Spacer, .375 x .50 x 1.02	1
19	01003563	U-Nut, 5/16-18	2
20	01008464	Foot Rest Bracket	1
21	01008198	Left Hand Brake Cable (not shown)	1
22	01008199	Right Hand Brake Cable (not shown)	1
23	01008482	Control Housing Weldment	1
24	01008413	Seat Adjust	1
25	01008472	Left Hand Control Console	1
26	01008473	Right Hand Control Console	1
27	01008487	Parking Brake Lever	1
28	01008489	Brake Cable Bracket	1
29	01008491	Front Tank Mounting Bracket	1
30	01008533	Lapbar Stop Bracket	2
31	01008539	U-Nut, 1/4-20	4
32	01008572	Battery Edge Trim	4
33	01008583	Seat Mounting Bracket	2
34	00012166	Hex Nut, 5/16-18	2
35	01000960	Washer, .325 x .930 x .045	2
36	01006528	Abrasive Foot Pad	1

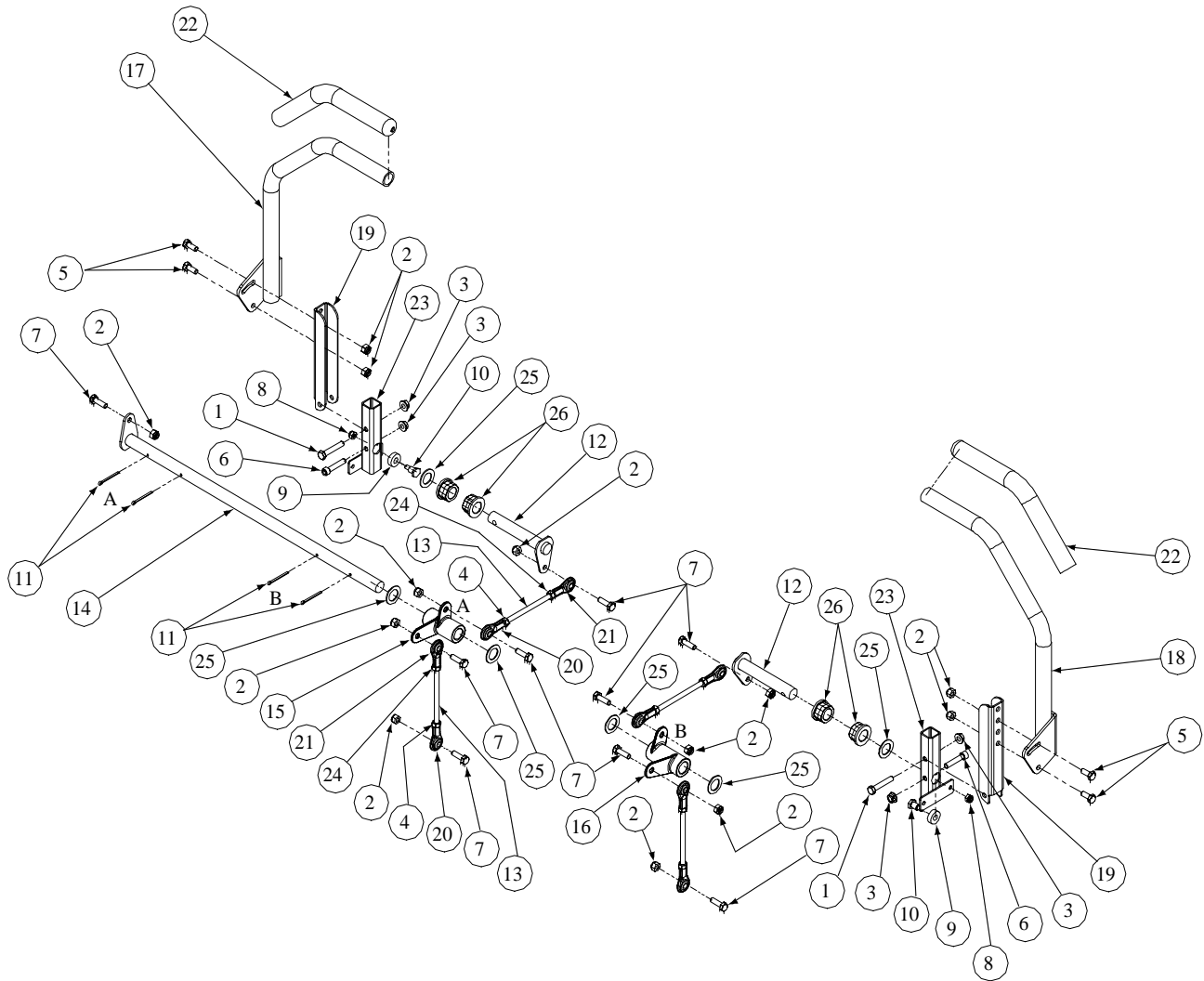
Front Caster & Tire Assembly - Figure 4 and Parts List



GD: 01008107-T11

Ref. No.	Part No.	Description	Qty.
1	00012157	Lock Washer, 3/8 Zinc	2
2	01000368	Hex Cap Screw, 3/8-16 x .88	2
3	00012187	Lug Nut, 1/2-20	8
4	00023822	Washer Special	3
5	00060078	Grease Fitting, 1/4-28 x 3/16	2
6	01000678	Nut Jam, 1.0-14, Nylon Insert	1
7	01000745	Hex Cap Screw, 1/2-20 x 5.50	2
8	00023282	Nut, 1/2-20, Center Lock	2
9	01006309	Hex Cap Screw, 1-14 x 5.0	1
10	01008320	Wheel Assembly, 20 x 7	2
11	01008405	Front Axle Assembly	1
12	01008570	Front Wheel Assembly	2
13	01008550	Castor Wheel Mounting Bracket	2
14	731-0374	Flange Bearing, 1.0 ID	6
15	01009253	Flat Washer, .390 x 1.5 x .134	2
16	750-0456	Spacer, .790 ID x .347 Lg	4
17	750-3197A	Wheel Spacer	2

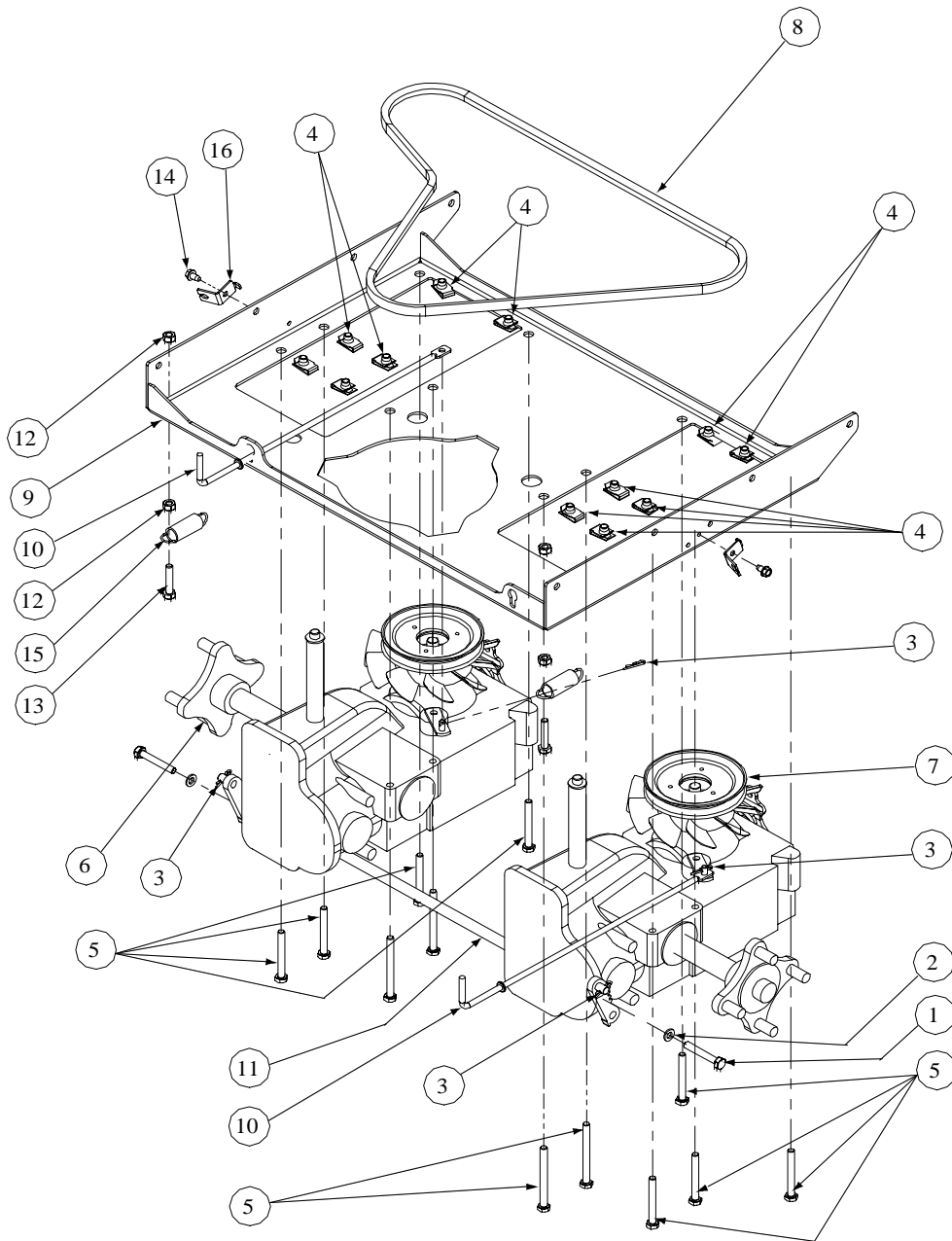
Steering Assembly -Figure 5 and Parts List



GD: 01008108-T07

Ref. No.	Part No.	Description	Qty.	Ref. No.	Part No.	Description	Qty.
1	00006129	Hex Cap Screw, 5/16-18 x 1-3/4	2	14	01008432	Bellcrank Steering Shaft Assembly	1
2	00012165	Nut, 5/16-18, Nylock	13	15	01008840	Steering Bellcrank Assembly Left Hand	1
3	01000635	Nut, 5/16-18, Lock	4	16	01008841	Steering Bellcrank Assembly Right Hand	1
4	00012167	Hex Nut, 5/16-24	4	17	01008425	Steering Handle Assembly Left Hand	1
5	00012179	Hex Cap Screw, 5/16-18 x 3/4	4	18	01008426	Steering Handle Assembly Right Hand	1
6	01008600	Capscrew, 5/16-18 x 1.50, Socket Head	2	19	01008165	Steering Pivot Bracket	2
7	00013092	Hex Cap Screw, 5/16-18 x 1.0	9	20	01008410	Rod End, 5/16, Right Hand	4
8	00014081	Nut, 1/4-28, SS, Nylon Insert	2	21	01008551	Rod End, 5/16, Left Hand	4
9	00071691	Control Rod Spacer	2	22	01008552	Lap Bar Grip	2
10	01001919	Shoulder Screw, 1/4-28	2	23	01008458	Pivot Bracket Weldment	2
11	00003107	Cotter Pin, .125 Dia. x 1.0	4	24	01008576	Hex Nut, 5/16-24, Left Hand	4
12	01008433	Steering Input Shaft Assembly	2	25	736-0287	Flat Washer, .793 ID x 1.24 OD x .060	6
13	01008149	Steering Link Rod	4	26	741-0598	Hex Flange Bearing, .752 ID	4

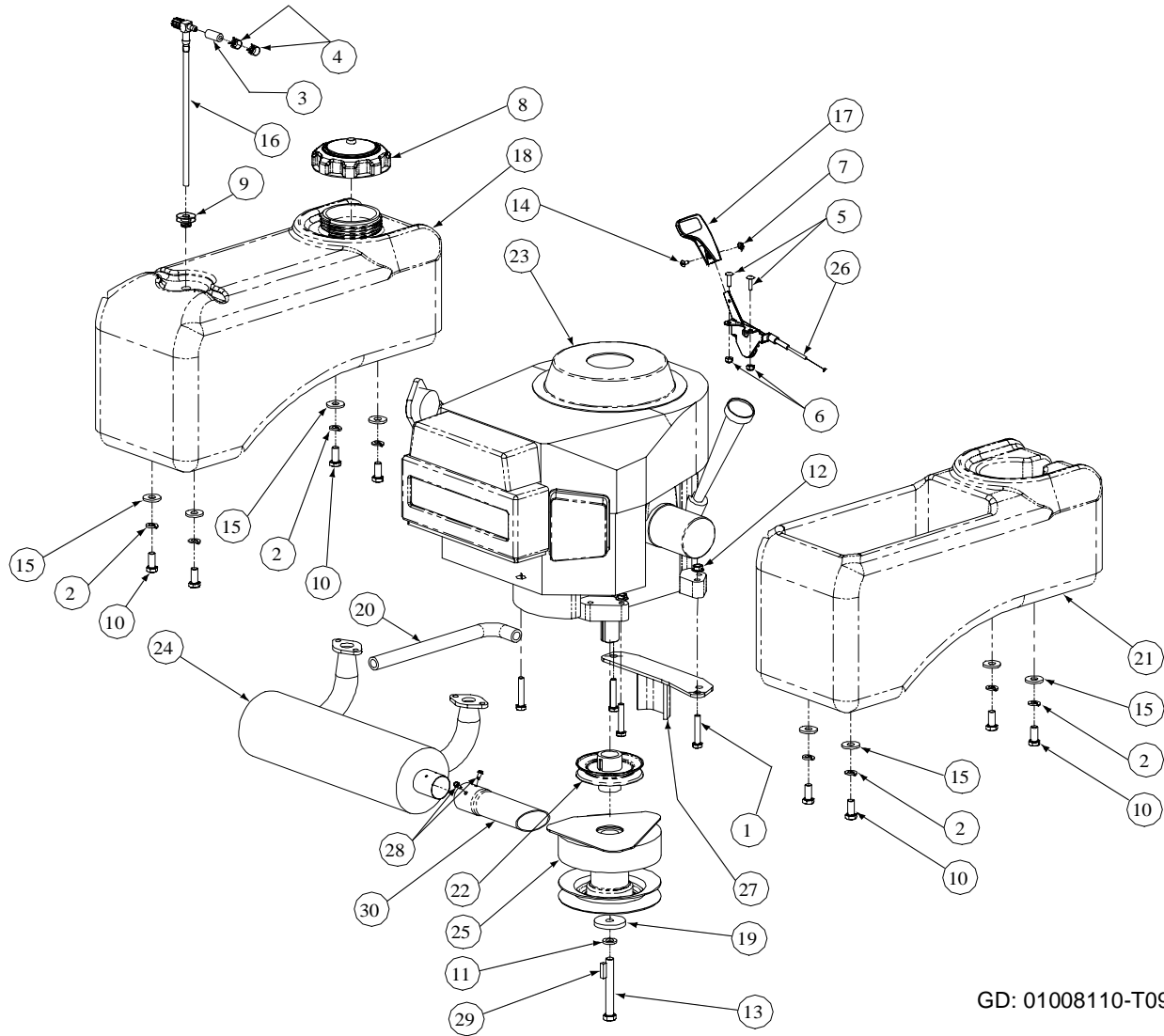
Drive Train Assembly- Figure 6 and Parts List



GD: 01008106-T08

Ref. No.	Part No.	Description	Qty.	Ref. No.	Part No.	Description	Qty.
1	00013198	Hex Cap Screw, 5/16-18 x 2.0	2	9	01008461	Transmission Mounting Bracket	1
2	00012169	Flat Washer, .320 ID x .591 OD	2	10	01008380	Pump Rod	2
3	01002771	Cotter Pin, .072 x 1.12 Lg	4	11	01008414	Transmission Brace Tube	1
4	01003563	U-Nut, 5/16-18	12	12	00012166	Nut, 5/16-18	4
5	01007122	Hex Cap Screw, 5/16-18 x 2.5	12	13	01001972	Hex Cap Screw, 5/16-18 x 2.75	2
6	01008192	IZT Transmission, Left Hand	1	14	01000628	Screw, 1/4-20 x 1/2	2
7	01008193	IZT Transmission, Right Hand	1	15	01008758	Extension Spring, 1.0 OD x 5.000	2
8	01008349	V-Belt, 56.00	1	16	01008611	Brake Cable Mounting Bracket	2

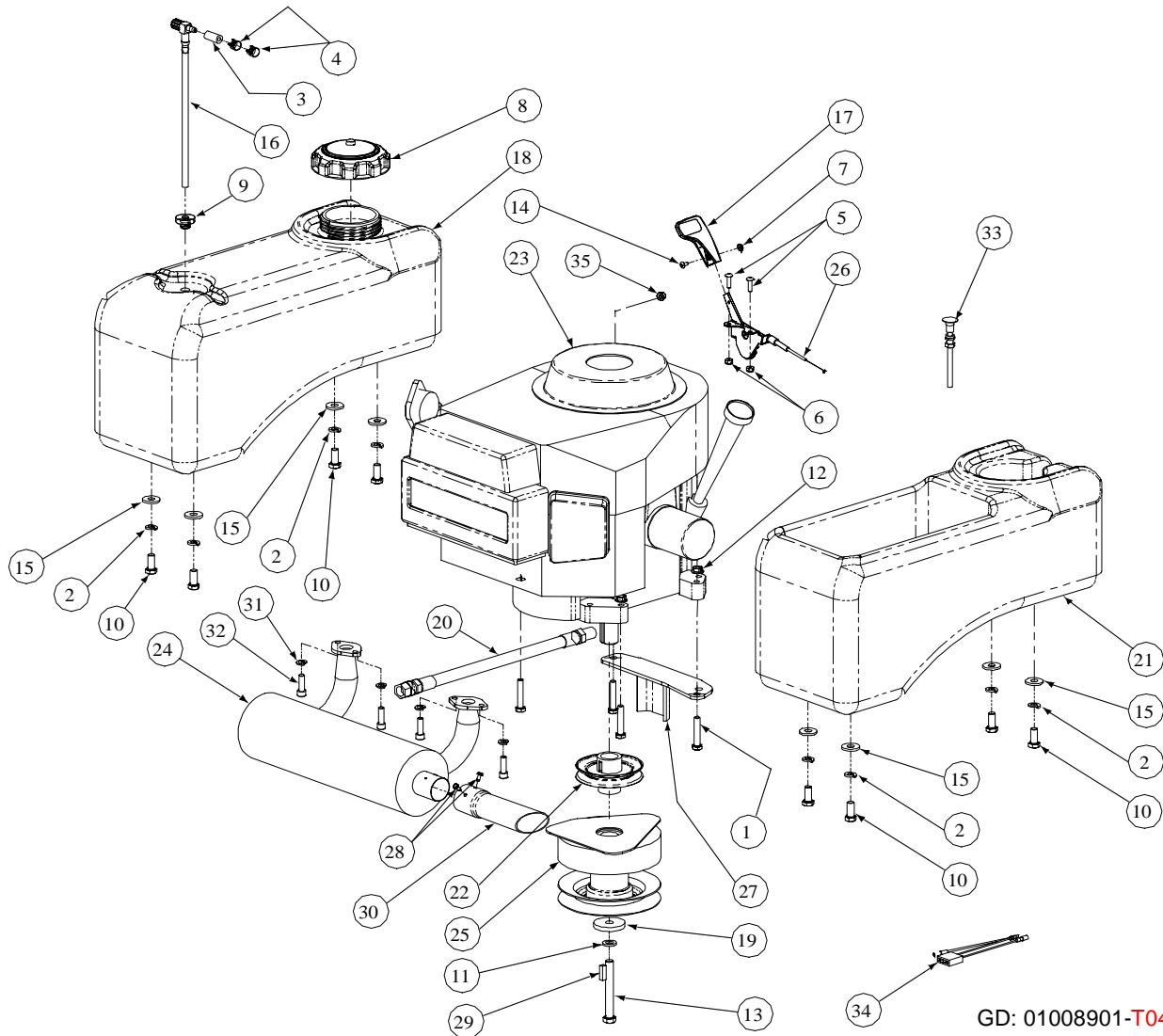
15HP Kawasaki Engine Assembly - Figure 7 and Parts List



GD: 01008110-T09

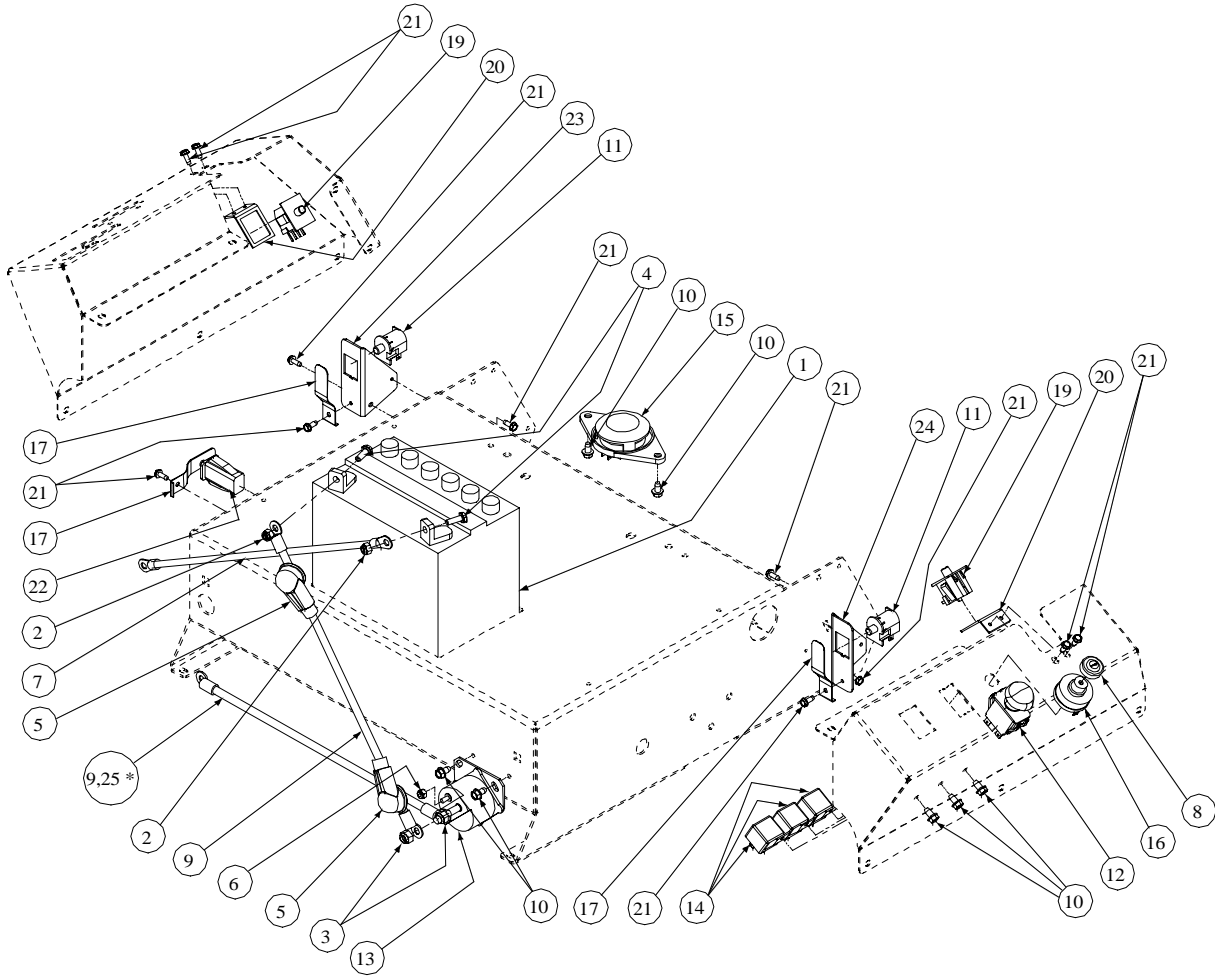
Ref No	Part No.	Description	Qty.	Ref No	Part No.	Description	Qty.
1	00006129	Hex Head Cap Screw, 5/16-18 x 1-3/4	4	17	01004004	Throttle Control Knob	1
2	00012157	Lock Washer, 3/8 Zinc	8	18	01004350	Fuel Tank	1
3	--	Hose, 1/4" Fuel Line	1	19	01005314	Flat Washer, 7/16 ID x 1.75 OD x .250	1
4	00012235	Clamp, Union	2	20	01006223	Oil Drain Extension Hose	1
5	00014602	Round Head Machine Screw, 10-32 x 3/4	2	21	01008138	Utility Bin	1
6	00014608	Lock Nut, Nylon Insert, 10-32	2	22	01008381	Electric PTO Engine Pulley (Discontinued)	1
7	00060056	Nut, w/ Star Washer	1		01008808	Electric PTO Engine Pulley	1
8	01000069	Fuel Cap	1	23	01008415	15HP Twin Kawasaki Engine	1
9	01000281	Fuel Tank Groment	1	24	01008424	Kawasaki Muffler	1
10	01000368	Hex Cap Screw, 3/8-16 x .88	8	25	01008544	Ogura JD08 Electric Clutch	1
11	01000389	Lock Washer, 7/16	1	26	01008575	Choke Control Cable	1
12	01000635	Lock Nut, Hex Flange, 5/16-18	4	27	01008640	Clutch Retainer Assembly	1
13	01008637	Hex Cap Screw, 7/16-20 x 4.0	1	28	01000811	Screw, 8-32 x .375, Hex Washer	2
14	01000721	Machine Screw, 8-32 x .375	1	29	00025344	Key, 1/4 x 1/4 x 7/8 (Discontinued)	1
15	01000723	Flat Washer, .406 ID x 1.0 OD x .105	8		01007533	Key, 1/4 x 1/4 x 2.75	1
16	01003116	Fuel Pickup Fitting	1	30	01008623	Exhaust Pipe	1

18HP Briggs Engine Assembly - Figure 8 and Parts List



Ref No	Part No.	Description	Qty.	Ref No	Part No.	Description	Qty.
1	00006129	Hex Head Cap Screw, 5/16-18 x 1-3/4	4	20	01003283	Oil Drain Extension Hose	1
2	00012157	Lock Washer, 3/8 Zinc	8	21	01008138	Utility Bin	1
3	--	Hose, 1/4" Fuel Line	1	22	01008381	Electric PTO Engine Pulley (Discontinued)	1
4	00012235	Clamp, Union	2		01008808	Electric PTO Engine Pulley	1
5	00014602	Round Head Machine Screw, 10-32 x 3/4	2	23	01008883	18HP Twin Briggs Engine	1
6	00014608	Lock Nut, Nylon Insert, 10-32	2	24	01008902	Briggs Muffler	1
7	00060056	Nut, w/ Star Washer	1	25	01008544	Ogura JD08 Electric Clutch	1
8	01000069	Fuel Cap	1	26	01003272	Throttle Control Cable	1
9	01000281	Fuel Tank Groment	1	27	01008640	Clutch Retainer Assembly	1
10	01000368	Hex Cap Screw, 3/8-16 x .88	8	28	01000811	Screw, 8-32 x .375, Hex Washer	2
11	01000389	Lock Washer, 7/16	1	29	00025344	Key, 1/4 x 1/4 x 7/8 (Discontinued)	1
12	01000635	Lock Nut, Hex Flange, 5/16-18	4		01007533	Key, 1/4 x 1/4 x 2.75	1
13	01008637	Hex Cap Screw, 7/16-20 x 4.0	1	30	01008623	Exhaust Pipe	1
14	01000721	Machine Screw, 8-32 x .375	1	31	00012168	Lock Washer, 5/16	4
15	01000723	Flat Washer, .406 ID x 1.0 OD x .105	8	32	01009142	Socket Head Cap Screw, 5/16-18 x 1.00	4
16	01003116	Fuel Pickup Fitting	1	33	01004020	Choke Cable	1
17	01004004	Throttle Control Knob	1	34	01008881	Harness Adaptor	1
18	01004350	Fuel Tank	1	35	00023041	Starter Side Lock Nut 1/4-20	1
19	01005314	Flat Washer, 7/16 ID x 1.75 OD x .250	1				

Electrical Assembly - Figure 9 and Parts List



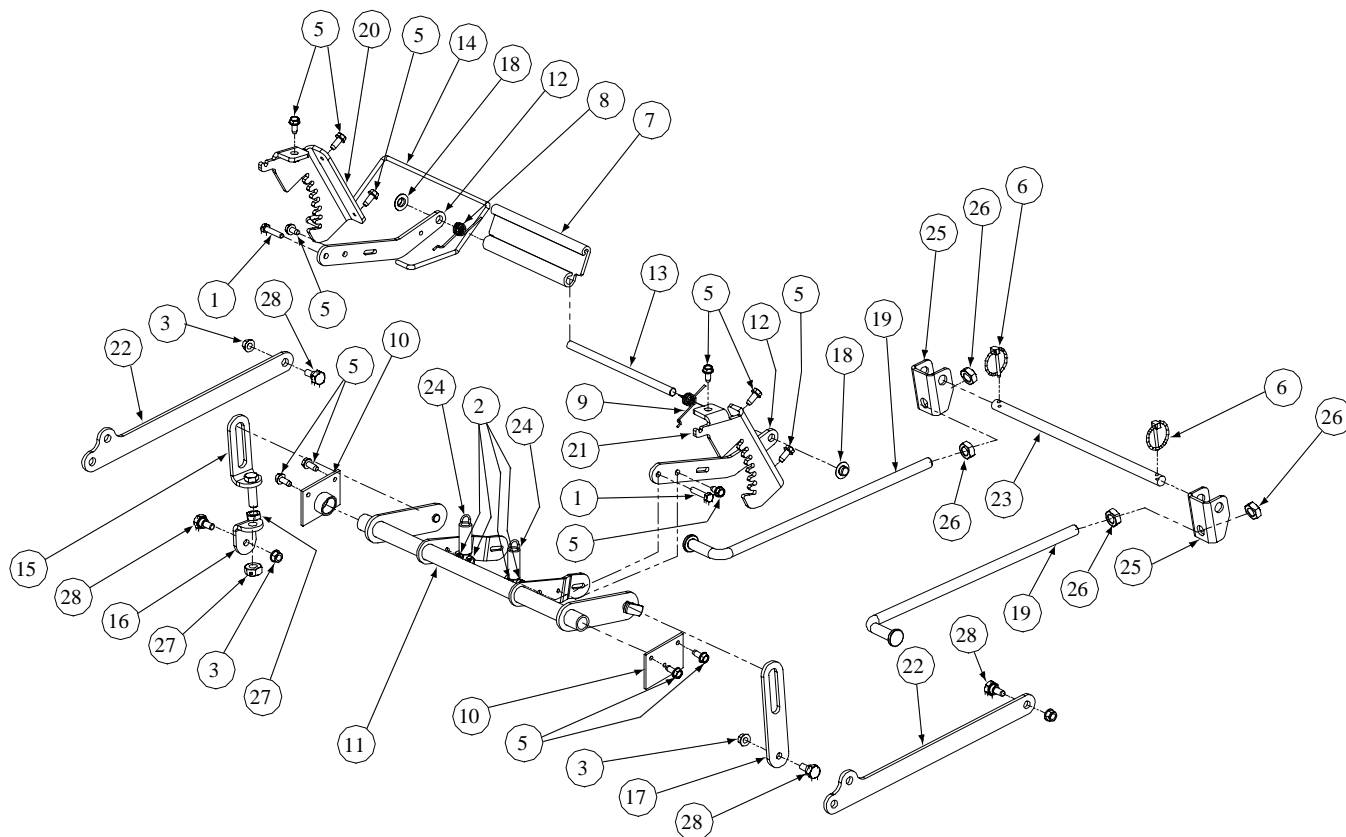
NOTE:

- * Ref. #9 use for kawasaki engines
- * Ref. #25 use for Briggs engines

GD: 01008111-T03
GD: 01009135-T00

Ref. No.	Part No.	Description	Qty.	Ref. No.	Part No.	Description	Qty.
1	00012032	Battery, 12V 260CCA 30Min	1	13	01002228	Solenoid	1
2	00012152	Lock Nut, Nylon Insert, 1/4-20	2	14	01002251	Relay, 12V 40A	3
3	00012165	Nut, 5/16-18, Nylock	2	15	01003277	Normally Closed Seat Switch	1
4	00013131	Hex Cap Screw, 1/4-20 x .75	2	16	01003581	Switch, Ignition, 6 Pin	1
5	00013258	Boot, 1" OD Rubber Battery-PST Red	2	17	01008042	Safety Switch Retainer Spring	3
6	00014608	Lock Nut, Nylon Insert, 10-32	1	18	01008375	Harness Assembly (not shown)	1
7	00024233	Cable, Battery, Black, 17"	1	19	01008386	Neutral Switch	2
8	00032097	Nut, 5/8-32, w/Cap	1	20	01008511	Neutral Switch Mounting Bracket	2
9	00095773	Cable, Battery, Red, 15" (Kawasaki)	2	21	01008531	Self Tapping Screw, 10-32 x 1/2	11
		Cable, Battery, Red, 15" (Briggs)	1	22	01008571	Switch, Plunger	1
10	01000628	Self Tapping Screw, 1/4-20 x 1/2	7	23	01008614	Bracket, Safety Switch, Left Hand	1
11	01001717	Normally Closed Safety Switch	2	24	01008615	Bracket, Safety Switch, Right Hand	1
12	01002111	Electric PTO Switch	1	25	01002252	Cable, Battery, Red, 24" (Briggs)	1

Lift Assembly - Figure 10 and Parts List

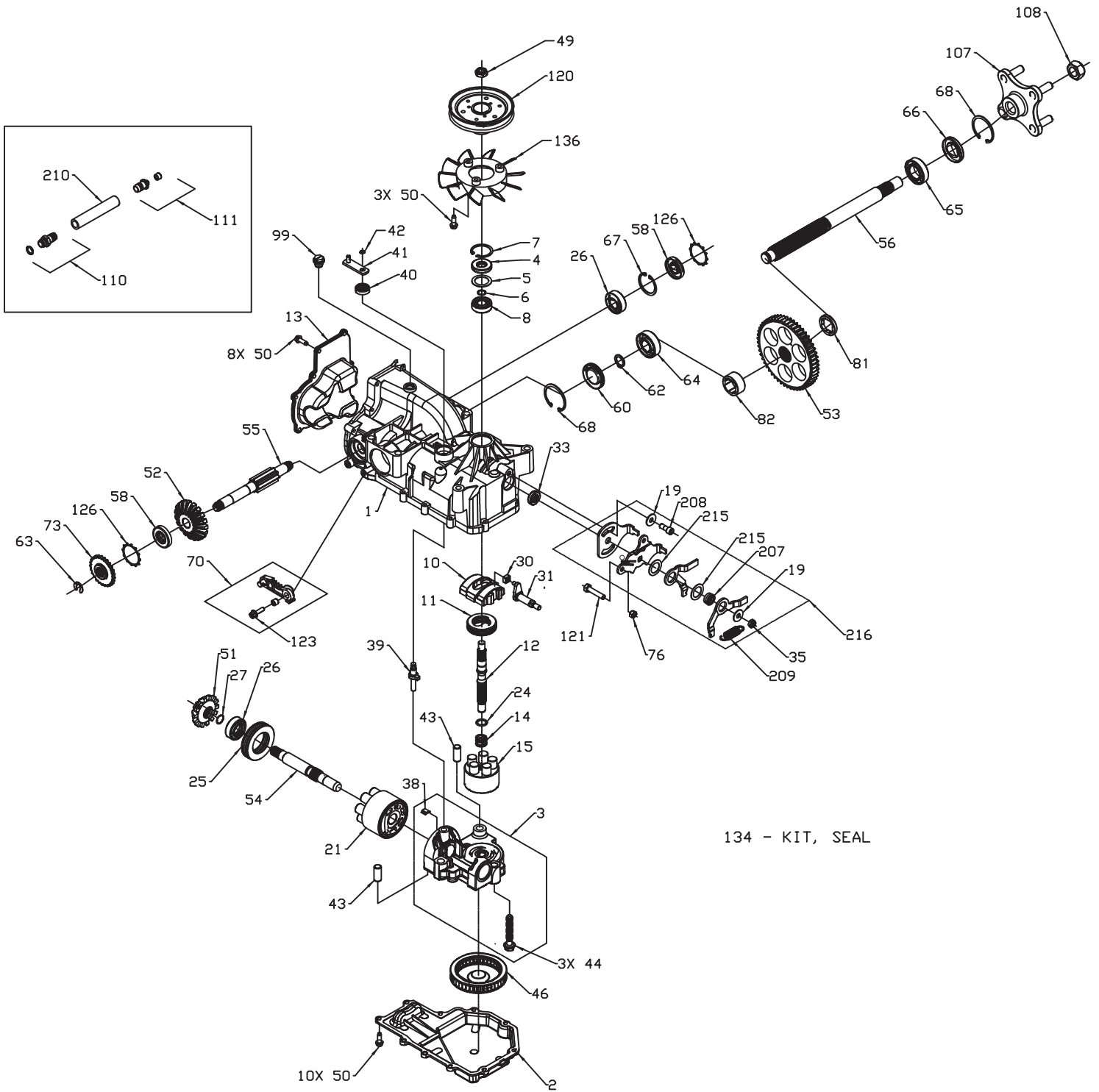


GD: 01008109-T07

Ref. No.	Part No.	Description	Qty.	Ref. No.	Part No.	Description	Qty.
1	00012382	Hex Cap Screw, 5/16-18 x 1-1/2	2	15	01008467	Upper Link Lift Assembly, Left Hand	1
2	00022547	Nut, 5/16-18, Center Lock	4	16	01008183	Lower Lift Bracket, Left Hand	1
3	00022560	Nut, 3/8-16, Hex Flange Lock	4	17	01008186	Link Lift Plate, Right Hand	1
4				18	01008187	Cap Lift Push Nut	2
5	01008620	Self Tapping Screw, 5/16-18 x 3/4	12	19	01008382	Front Lift Rod	2
6	01003993	Linch Pin	2	20	01008188	Lift Index Weldment, Left Hand	1
7	01008139	Deck Lift Handle	1	21	01008189	Lift Index Weldment, Right Hand	1
8	01008140	Deck Lift Spring, Left Hand	1	22	01008465	Rear Lift Arm	2
9	01008141	Deck Lift Spring, Right Hand	1	23	01008557	Front Lift Rod	1
10	01008477	Lift Hub Assembly	2	24	01008573	Lift Spring	2
11	01008459	Lift Shaft Assembly	1	25	01008638	Front Lift Bracket	2
12	01008494	Handle Lift Arm	2	26	00035632	Jam Nut, 5/8-11	4
13	01008175	Lift Handle Rod	1	27	01008658	Jam Nut, 1/2-20	2
14	01008176	Lift Rod Index	1	28	738-3151	Shoulder Screw, 3/8-16, .56 x .27	4

This Page Left Intentionally Blank

Hydro IZT Transmission L.H. 344-2400L - Figure 10



134 - KIT, SEAL

Hydro IZT Transmission L.H. 344-2400L - Parts List For Figure 10

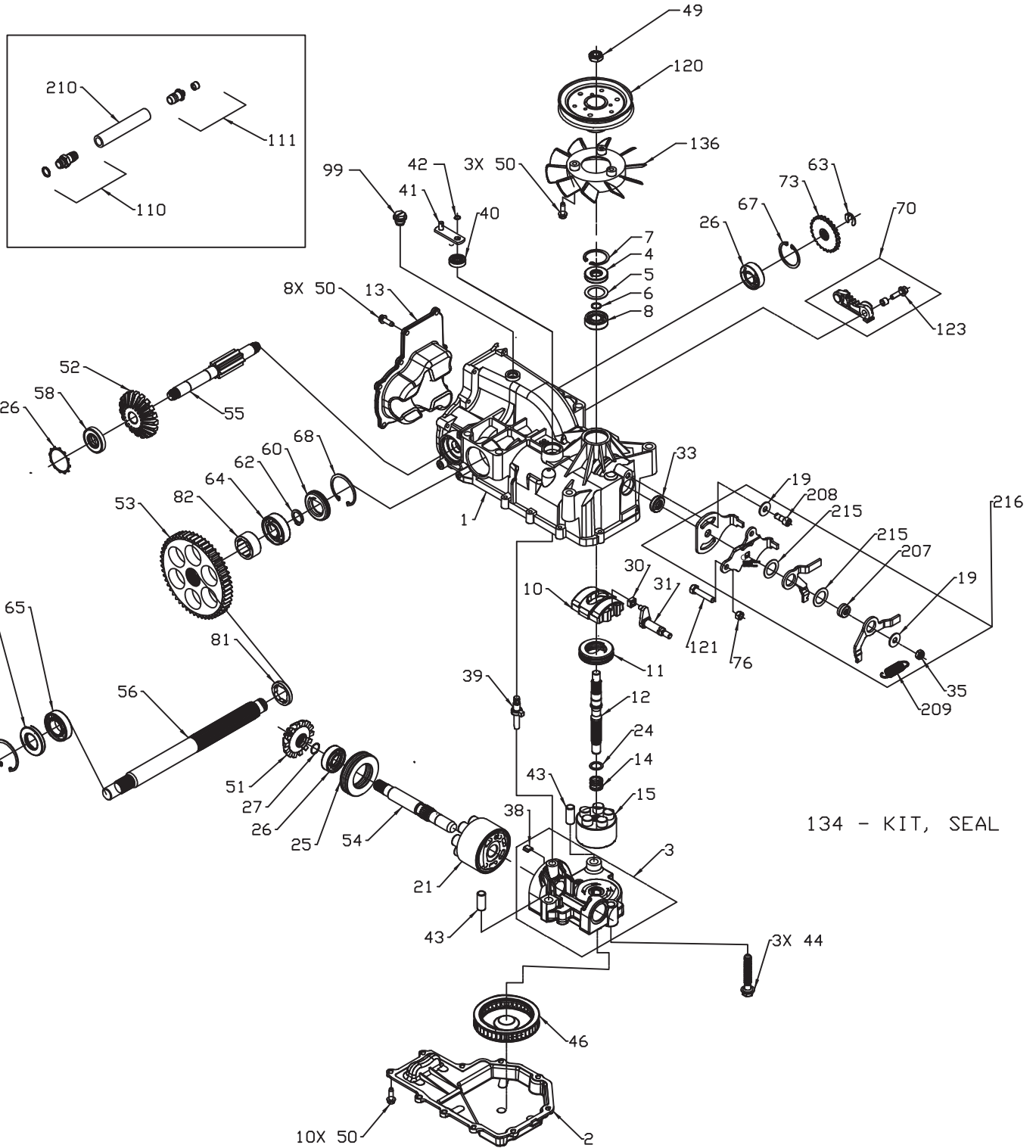
Ref. No.	Part No.	Description	Qty.
1	HG-70627	KIT, HOUSING-MAIN	1
		HOUSING, MAIN	1
		CRADLE BEARING	2
		TRUNNION BUSHING	1
		SEAL, LIP 12 x 25 x 7	1
		SCREW, HFHC 1/4-28 x 7/8 (PATCH)	1
2	HG-50890RM	LOWER HOUSING	1
3	HG-70677	KIT, CENTER SECTION	1
		CENTER SECTION	1
		BUSHING .67 x 1.03 x .75	1
		PLATE, BYPASS	1
		BOLT, HEX FLANGE 3/8-24 x 2.5	3
		CHECK PLUG ASSEMBLY, .027	2
4	HG-9008000-0128	SEAL, LIP 15 x 35 x 7	1
5	HG-2003018	SPACER	1
6	HG-2003016	RING, WIRE RETAINING	1
7	HG-2003052	RING, RETAINING	1
8	HG-2003043	BALL BEARING	1
10	HG-2003087	VARIABLE SWASHPLATE	1
11	HG-50551	THRUST BEARING 30 x 52 x 13	1
12	HG-50005	SHAFT, INPUT	1
13	HG-50891RM	COVER-BACK	1
14	HG-2003014	SPRING, BLOCK	1
15	HG-70331	10cc CYLINDER BLOCK ASSY.	1
		10cc CYLINDER BLOCK	1
		10cc PISTON SPRING	5
		PISTON SEAT WASHER	5
		10cc PISTON	5
19	HG-44130	WASHER, .34 x .88 x .06	2
21	HG-70082	21cc CYLINDER BLOCK ASSY.	1
		21cc CYLINDER BLOCK	1
		21cc PISTON SPRING	7
		PISTON SEAT WASHER	7
		21cc PISTON	7
24	HG-2003017	WASHER, BLOCK THRUST	1
25	HG-50552	THRUST BEARING 42 x 68 x 16	1
26	HG-50315	BALL BEARING	2
27	HG-2000022	RING, WIRE RETAINING	1
30	HG-2000015	SLOT GUIDE	1
31	HG-50807	TRUNNION ARM	1
33	HG-9008000-0126	SEAL, LIP 12 x 25 x 7	1
35	HG-50108	NUT, HEX LOCK LOCK 5/16-24 UNJF	1
38	HG-70680	KIT, BYPASS PLATE	1
		PLATE, BYPASS (BREAD)	1
		PLATE, BYPASS	1
39	HG-2003555	BYPASS ACTUATOR	1
40	HG-45074	SEAL, LIP 10 x 25 x 7	1
41	HG-50270	ARM, BYPASS	1
42	HG-44870	RING, RETAINING	1
43	HG-50002	PIN, HOLLOW .39 x .5 x 1	2
44	HG-50016	BOLT, HEX FLANGE 3/8-24 x 2.5	3
46	HG-50990	FILTER	1
49	HG-51244	HEX LOCK NUT 1/2-20 (NYLON INSERT)	1
50	HG-50752	SCREW, 1/4-20 x .75	21
51	HG-50744	14T BEVEL GEAR	1
52	HG-50745	19T BEVEL GEAR	1
53	HG-50746	53T SPUR GEAR	1

Hydro IZT Transmission L.H. 344-2400L - Parts List For Figure 10

Ref. No.	Part No.	Description	Qty.
54	HG-50757	SHAFT, MOTOR	1
55	HG-51298	SHAFT, BRAKE	1
56	HG-50748	SHAFT, AXLE	1
58	HG-51161	SEAL, LIP 17 x 40 x 7	2
60	HG-50995	SEAL PLUG-SIDE	1
62	HG-50759	RING, RETAINING-AXLE	1
63	HG-51109	RING, RETAINING	1
64	HG-50743	BEARING-BALL 20 x 47 x 14 (6204)	1
65	HG-50740	BEARING-BALL 25 x 47 x 12 (6005)	1
66	HG-50751	SEAL, LIP 25 x 47 x 7	1
67	HG-50329	RING, RETAINING	1
68	HG-50760	RING, RETAINING-AXLE	2
70	HG-70391	ASSEMBLY, BRAKE ARM SERVICE	1
		ARM, BRAKE ZINC	1
		CLEVIS PIN	1
		BUSHING .255 x .394 x .330	1
		SCREW, HFHC 1/4-28 x 7/8 (PATCH)	1
73	HG-50754	BRAKE DISC	1
76	HG-43083	NUT, HEX 5/16-18	1
81	HG-50942-2	AXLE BUSHING	1
82	HG-50942-1	AXLE BUSHING	1
99	HG-9005200-5600	PLUG, PLASTIC	1
107	HG-70314	HUB ASSEMBLY	1
		HUB	1
		LUG BOLT	4
108	HG-50863	NUT, HEX 3/4-16	1
110	HG-70110	FITTING O-RING ASSEMBLY	1
		PLASTIC HOSE FITTING	1
		O-RING	1
111	HG-70109	CAP VENT ASSEMBLY	1
		CAP-POPPET VALVE	1
		PLASTIC VENT	1
120	HG-50302	PULLEY, 4.5 x 1.625	1
121	HG-51753	BOLT, 5/16-18 x 1.50	1
123	HG-51576	SCREW, HFHC 1/4-28 x 7/8 (PATCH)	1
126	HG-51316	RING, RETAINING	2
134	HG-70553	KIT, SEAL	1
136	HG-51365	FAN, 6" 10 BLADE	1
207	HG-51396	SPACER, RTN	1
208	HG-51400	SHCS 5/16-24 x .75 (PATCH)	1
209	HG-51399	SPRING, EXTENSION	1
210	HG-51401	HOSE .5 x 4	1
215	HG-51408	WASHER, PLASTIC 1.19 x .7	2
216	HG-70609	KIT, RTN SCISSOR	1
		WASHER, .34 x .88 x .06	2
		NUT, HEX LOCK 5/16-24 UNJF	1
		ARM, RTN	1
		ARM, RTN SCISSOR, INNER	1
		ARM, RTN SCISSOR, OUTER	1
		ARM, CONTROL	1
		SPACER, RTN	1
		SPRING, EXTENSION	1
		SHCS 5/16-24 x .75 (PATCH)	1
		WASHER, PLASTIC 1.19 x .7	2

This Page Left Intentionally Blank

Hydro IZT Transmission R.H. 344-2400R - Figure 11



Hydro IZT Transmission R.H. 344-2400R - Parts List For Figure 11

Ref. No.	Part No.	Description	Qty.
1	HG-70627	KIT, HOUSING-MAIN	1
		HOUSING, MAIN	1
		CRADLE BEARING	2
		TRUNNION BUSHING	1
		SEAL, LIP 12 x 25 x 7	1
		SCREW, HFHC 1/4-28 x 7/8 (PATCH)	1
2	HG-50890RM	LOWER HOUSING	1
3	HG-70677	KIT, CENTER SECTION	1
		CENTER SECTION	1
		BUSHING .67 x 1.03 x .75	1
		PLATE, BYPASS	1
		BOLT, HEX FLANGE 3/8-24 x 2.5	3
		CHECK PLUG ASSEMBLY, .027	2
4	HG-9008000-0128	SEAL, LIP 15 x 35 x 7	1
5	HG-2003018	SPACER	1
6	HG-2003016	RING, WIRE RETAINING	1
7	HG-2003052	RING, RETAINING	1
8	HG-2003043	BALL BEARING	1
10	HG-2003087	VARIABLE SWASHPLATE	1
11	HG-50551	THRUST BEARING 30 x 52 x 13	1
12	HG-50005	SHAFT, INPUT	1
13	HG-50891RM	COVER-BACK	1
14	HG-2003014	SPRING, BLOCK	1
15	HG-70331	10cc CYLINDER BLOCK ASSY.	1
		10cc CYLINDER BLOCK	1
		10cc PISTON SPRING	5
		PISTON SEAT WASHER	5
		10cc PISTON	5
19	HG-44130	WASHER, .34 x .88 x .06	2
21	HG-70082	21cc CYLINDER BLOCK ASSY.	1
		21cc CYLINDER BLOCK	1
		21cc PISTON SPRING	7
		PISTON SEAT WASHER	7
		21cc PISTON	7
24	HG-2003017	WASHER, BLOCK THRUST	1
25	HG-50552	THRUST BEARING 42 x 68 x 16	1
26	HG-50315	BALL BEARING	2
27	HG-2000022	RING, WIRE RETAINING	1
30	HG-2000015	SLOT GUIDE	1
31	HG-50807	TRUNNION ARM	1
33	HG-9008000-0126	SEAL, LIP 12 x 25 x 7	1
35	HG-50108	NUT, HEX LOCK LOCK 5/16-24 UNJF	1
38	HG-70680	KIT, BYPASS PLATE	1
		PLATE, BYPASS (BREAD)	1
		PLATE, BYPASS	1
39	HG-2003555	BYPASS ACTUATOR	1
40	HG-45074	SEAL, LIP 10 x 25 x 7	1
41	HG-50270	ARM, BYPASS	1
42	HG-44870	RING, RETAINING	1
43	HG-50002	PIN, HOLLOW .39 x .5 x 1	2
44	HG-50016	BOLT, HEX FLANGE 3/8-24 x 2.5	3
46	HG-50990	FILTER	1
49	HG-51244	HEX LOCK NUT 1/2-20 (NYLON INSERT)	1
50	HG-50752	SCREW, 1/4-20 x .75	21
51	HG-50744	14T BEVEL GEAR	1
52	HG-50745	19T BEVEL GEAR	1
53	HG-50746	53T SPUR GEAR	1

Hydro IZT Transmission R.H. 344-2400R - Parts List For Figure 11

Ref. No.	Part No.	Description	Qty.
54	HG-50757	SHAFT, MOTOR	1
55	HG-51298	SHAFT, BRAKE	1
56	HG-50748	SHAFT, AXLE	1
58	HG-51161	SEAL, LIP 17 x 40 x 7	2
60	HG-50995	SEAL PLUG-SIDE	1
62	HG-50759	RING, RETAINING-AXLE	1
63	HG-51109	RING, RETAINING	1
64	HG-50743	BEARING-BALL 20 x 47 x 14 (6204)	1
65	HG-50740	BEARING-BALL 25 x 47 x 12 (6005)	1
66	HG-50751	SEAL, LIP 25 x 47 x 7	1
67	HG-50329	RING, RETAINING	1
68	HG-50760	RING, RETAINING-AXLE	2
70	HG-70391	ASSEMBLY, BRAKE ARM SERVICE	1
		ARM, BRAKE ZINC	1
		CLEVIS PIN	1
		BUSHING .255 x .394 x .330	1
		SCREW, HFHC 1/4-28 x 7/8 (PATCH)	1
73	HG-50754	BRAKE DISC	1
76	HG-43083	NUT, HEX 5/16-18	1
81	HG-50942-2	AXLE BUSHING	1
82	HG-50942-1	AXLE BUSHING	1
99	HG-9005200-5600	PLUG, PLASTIC	1
107	HG-70314	HUB ASSEMBLY	1
		HUB	1
		LUG BOLT	4
108	HG-50863	NUT, HEX 3/4-16	1
110	HG-70110	FITTING O-RING ASSEMBLY	1
		PLASTIC HOSE FITTING	1
		O-RING	1
111	HG-70109	CAP VENT ASSEMBLY	1
		CAP-POPPET VALVE	1
		PLASTIC VENT	1
120	HG-50302	PULLEY, 4.5 x 1.625	1
121	HG-51753	BOLT, 5/16-18 x 1.50	1
123	HG-51576	SCREW, HFHC 1/4-28 x 7/8 (PATCH)	1
126	HG-51316	RING, RETAINING	2
134	HG-70553	KIT, SEAL	1
136	HG-51365	FAN, 6" 10 BLADE	1
207	HG-51396	SPACER, RTN	1
208	HG-51400	SHCS 5/16-24 x .75 (PATCH)	1
209	HG-51399	SPRING, EXTENSION	1
210	HG-51401	HOSE .5 x 4	1
215	HG-51408	WASHER, PLASTIC 1.19 x .7	2
216	HG-70609	KIT, RTN SCISSOR	1
		WASHER, .34 x .88 x .06	2
		NUT, HEX LOCK 5/16-24 UNJF	1
		ARM, RTN	1
		ARM, RTN SCISSOR, INNER	1
		ARM, RTN SCISSOR, OUTER	1
		ARM, CONTROL	1
		SPACER, RTN	1
		SPRING, EXTENSION	1
		SHCS 5/16-24 x .75 (PATCH)	1
		WASHER, PLASTIC 1.19 x .7	2

(QTY 2) 777D03448

44

777S30018



777S30145



777122098



Decal Map

(QTY 2) 777122094



777122095 (Kawasaki)
0-1009-146 (Briggs & Stratton)

777122093



777D07035



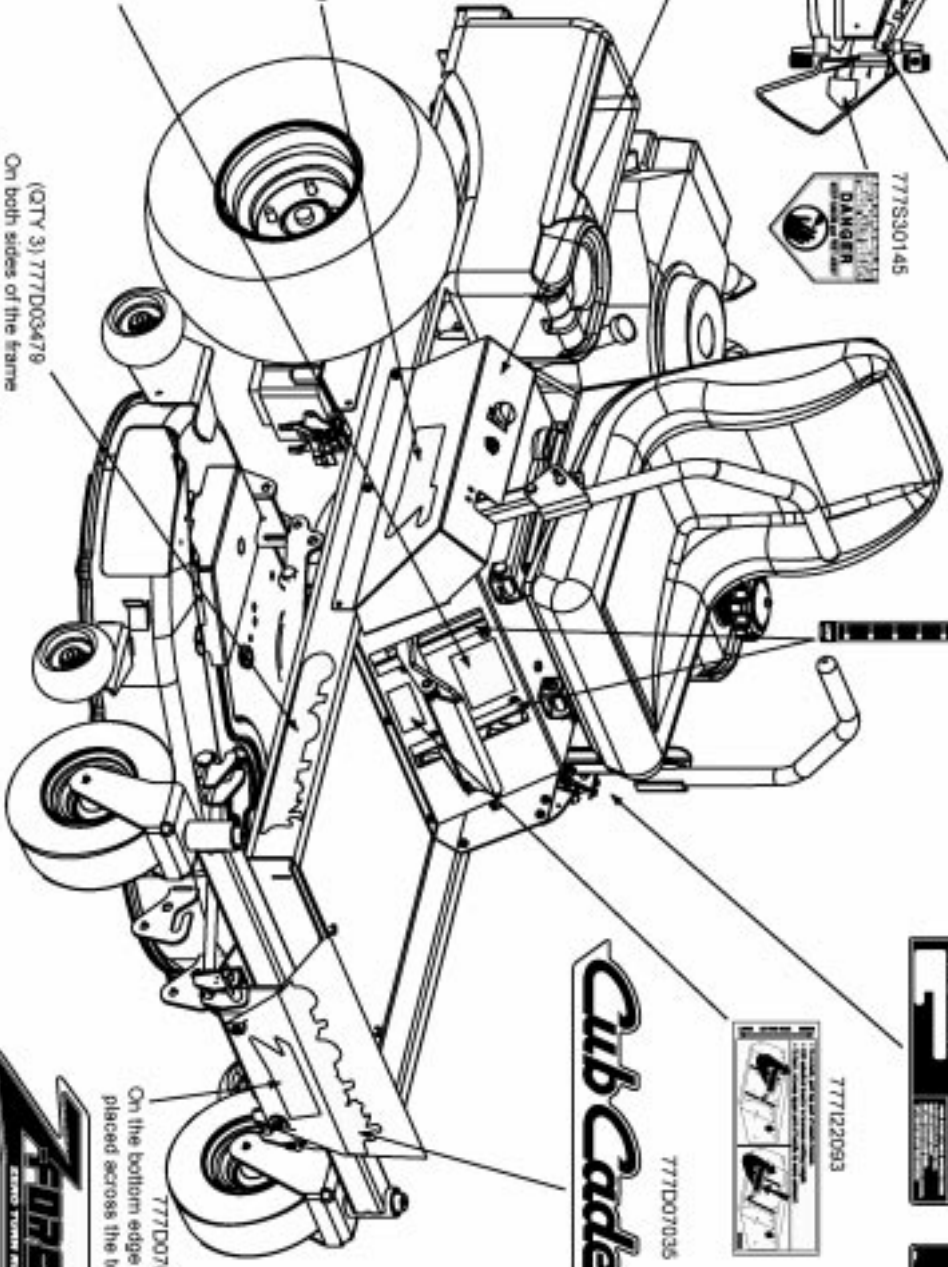
(QTY 2) 777D07037
Centered on lower panels.
On both sides.



777S32161



(QTY 3) 777D03479
On both sides of the frame
and centered on the rear fender.

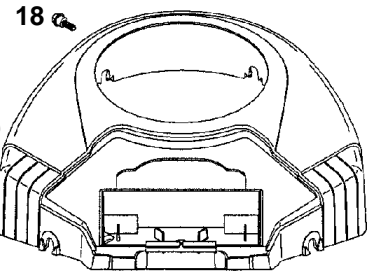
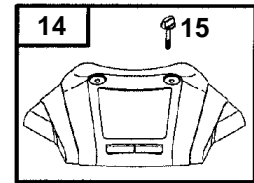
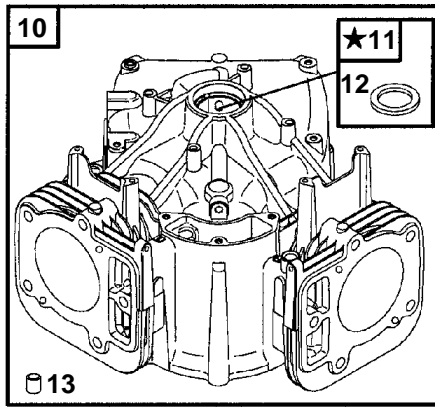
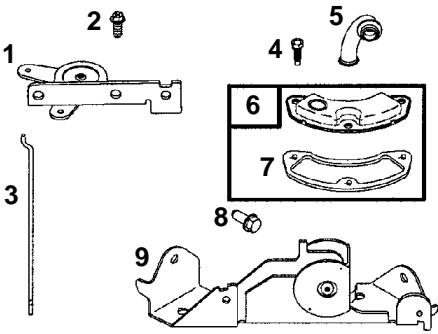


777D07038
On the bottom edge top of the label
placed across the top of the edge.

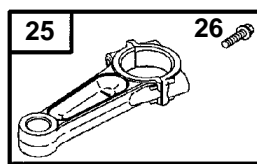
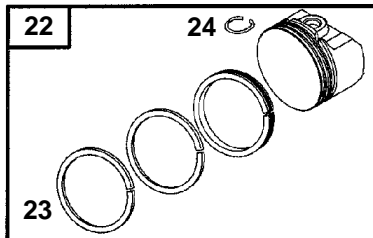


MODEL Z-FORCE

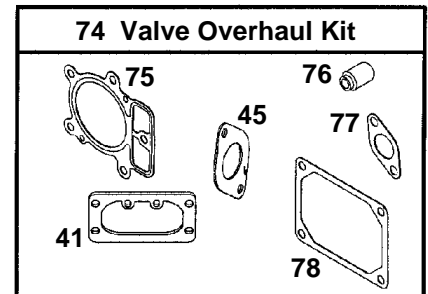
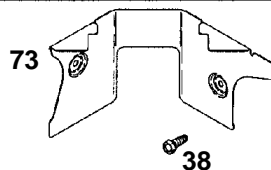
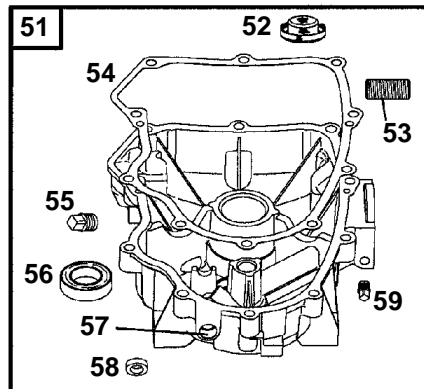
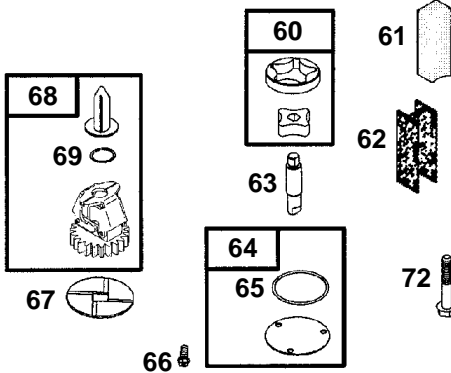
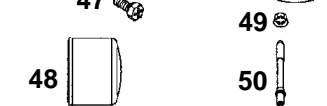
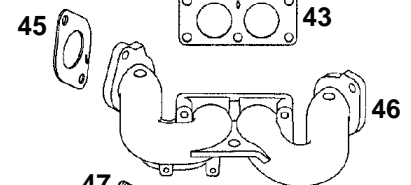
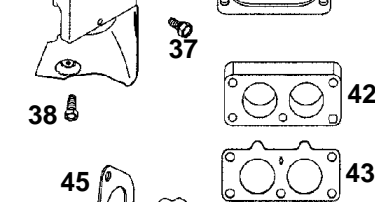
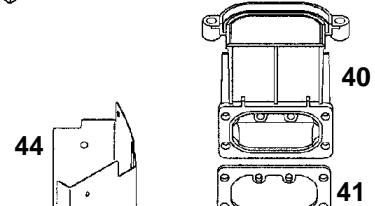
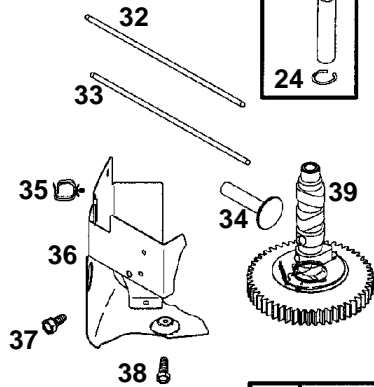
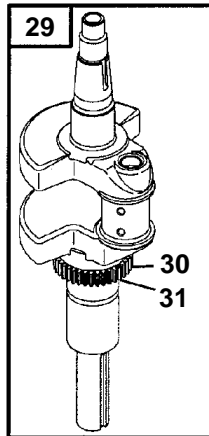
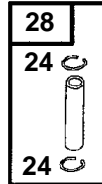
B & S 407777-0128-E1



★ Requires Special Tools to Install. See Repair Instruction Manual.



27 Label Kit



71 Emissions Label

Assemblies Include All Parts Shown In Frames

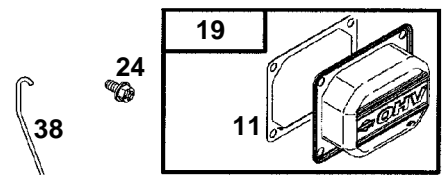
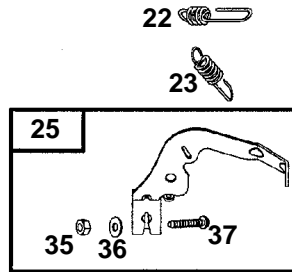
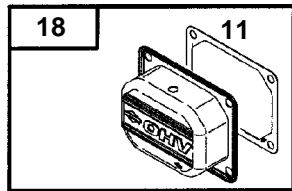
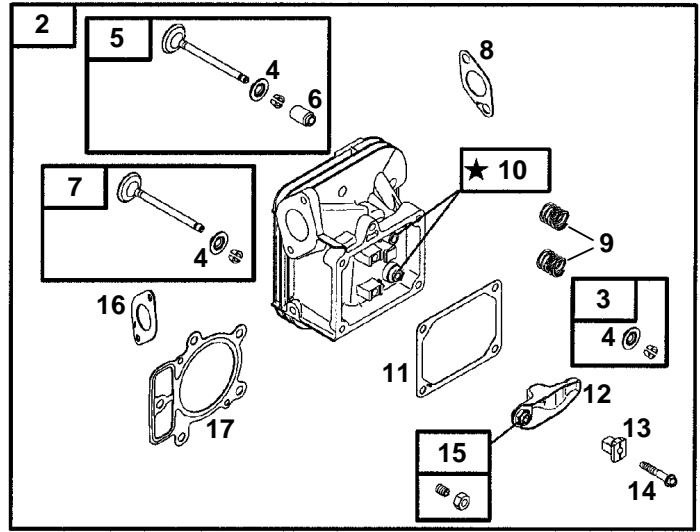
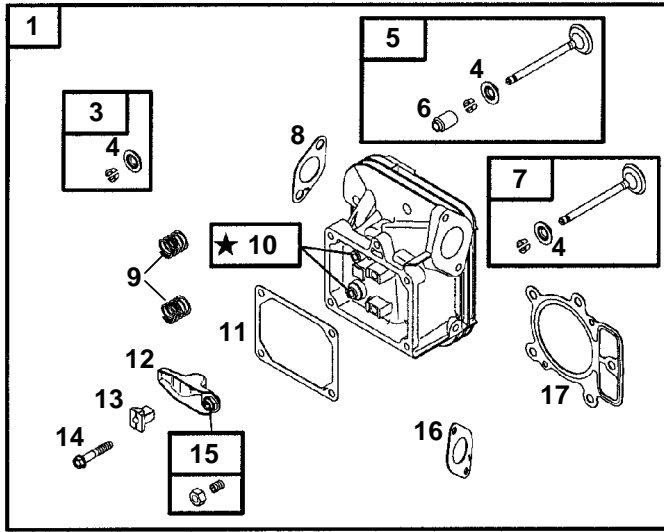
MODEL Z-FORCE

B & S 407777-0128-E1

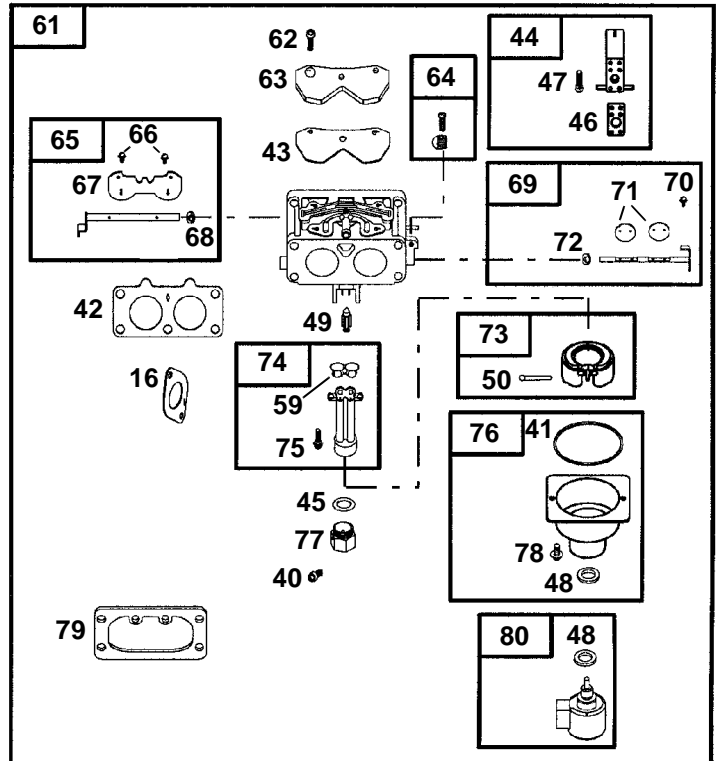
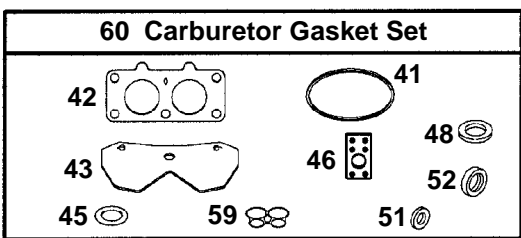
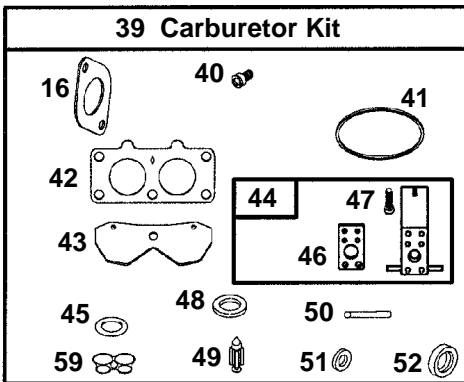
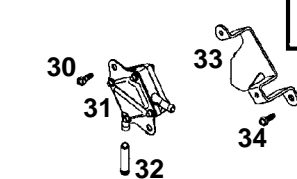
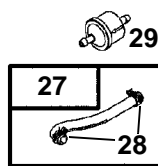
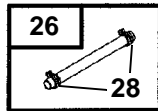
REF. NO.	PART NO.	DESCRIPTION	REF. NO.	PART NO.	DESCRIPTION
1	BS-691021	Choke Control Bracket	37	BS-94930	Screw (Air Guide Cover)
2	BS-94930	Screw (Choke Control Bracket)	38	BS-690960	Screw (Air Guide Cover)
3	BS-691022	Choke Link	39	BS-690978	Camshaft
4	BS-690960	Screw (Breather Assembly)	40	BS-691011	Air Adapter
5	BS-690942	Breather Tube	41	BS-691001	Air Cleaner Gasket
6	BS-499601	Breather Assembly	42	BS-690952	Carburetor Spacer
7	BS-690937	Breather Gasket	43	BS-690950	Intake Gasket
8	BS-690960	Screw (Control Bracket)	44	BS-691014	Air Guide Cover (Cylinder #2)
9	BS-691023	Control Bracket	45	BS-690949	Intake Gasket
10	BS-690231	Cylinder Assembly	46	BS-693996	Intake Manifold
11	BS-499585	Bushing/Seal Kit (Magneto Side)	47	BS-94913	Screw (Intake Manifold)
12	BS-391086	Oil Seal (Magneto Side)	48	BS-492932	Oil Filter
13	BS-230192	Locating Pin	49	BS-94010	Nut (Carburetor)
14	BS-499788	Air Cleaner Cover	50	BS-690951	Stud (Carburetor)
15	BS-691008	Air Cleaner Knob	51	BS-690069	Engine Sump
16	BS-499486S	Air Cleaner Cartridge Filter	52	BS-690770	Oil Pump Screen
17	BS-273638S	Pre-Cleaner Filter	53	BS-690954	Oil Filter Nipple
18	BS-691005	Screw (Blower Housing)	54	BS-690945	Crankcase Gasket
19	BS-691004	Blower Housing	55	BS-94239	Oil Drain Plug
20	BS-491657	Oil Pressure Switch	56	BS-690947	Oil Seal (PTO Side)
21	BS-222698	Flywheel Key	57	BS-690552	Governor Crank Bushing
22	BS-499588	Piston Assembly (Standard)	58	BS-690657	Governor Shaft Seal
	BS-499589	Piston Assy. (.010 Oversize)	59	BS-690283	Oil Plug
	BS-499590	Piston Assy. (.020 Oversize)	60	BS-499054	Oil Pump
	BS-499591	Piston Assy. (.030 Oversize)	61	BS-690956	Oil Collector
23	BS-499604	Ring Set (Standard)	62	BS-690957	Breather Retainer
	BS-499605	Ring Set (.010 Oversize)	63	BS-691042	Pump Shaft
	BS-499606	Ring Set (.020 Oversize)	64	BS-499613	Oil Pump Cover
	BS-499607	Ring Set (.030 Oversize)	65	BS-690589	O-Ring Seal (Oil Pump Cover)
24	BS-263181	Piston Pin Lock	66	BS-691033	Screw (Oil Pump Cover)
25	BS-499583	Connecting Rod	67	BS-690412	Washer (Governor Gear)
26	BS-690976	Screw (Connecting Rod)	68	BS-394348	Governor Gear
27	BS-690103	Label Kit	69	BS-690317	Governor Shaft Retainer
28	BS-690229	Piston Pin	71	BS-695104	Emissions Label
29	BS-691046	Crankshaft	72	BS-690308	Screw (Engine Sump)
30	BS-94388	Timing Key	73	BS-691015	Air Guide Cover
31	BS-690980	Timing Gear	74	BS-499890	Valve Overhaul Kit
32	BS-690981	Rod-Push (Steel)	75	BS-690962	Cylinder Head Gasket
33	BS-690982	Rod-Push (Aluminum)	76	BS-690968	Valve Seal
34	BS-262679	Valve Tappet	77	BS-690970	Exhaust Gasket
35	BS-691010	Clip	78	BS-690971	Rocker Cover Gasket
36	BS-691012	Air Guide Cover (Cylinder #1)	-	BS-692714	Short Block

MODEL Z-FORCE

B & S 407777-0128-E1



★ Requires Special Tools to Install. See Repair Instruction Manual.



Assemblies Include All Parts Shown In Frames

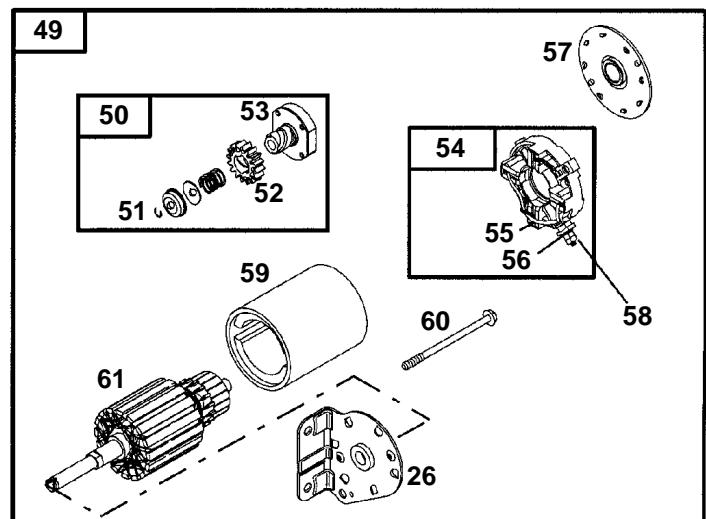
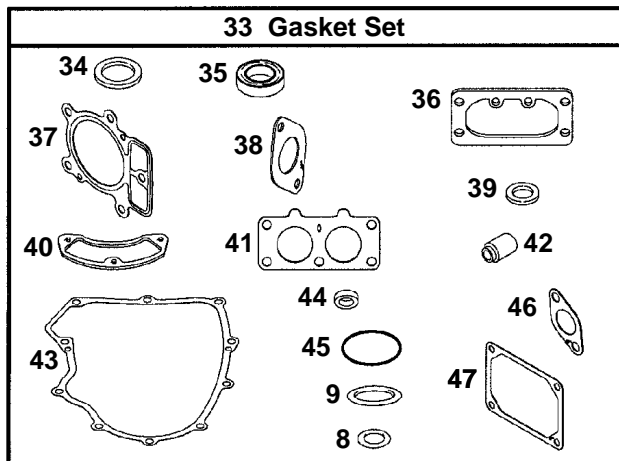
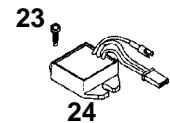
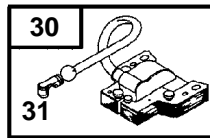
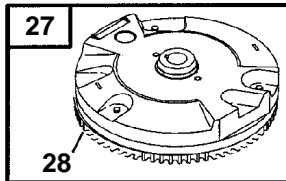
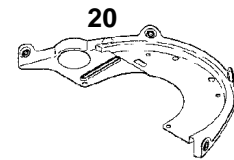
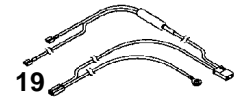
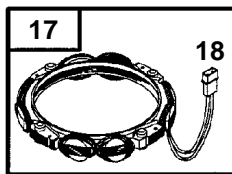
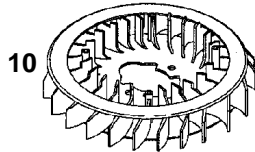
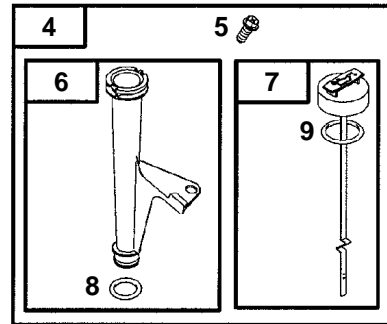
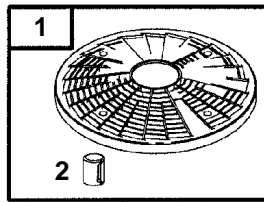
MODEL Z-FORCE

B & S 407777-0128-E1

REF. NO.	PART NO.	DESCRIPTION	REF. NO.	PART NO.	DESCRIPTION
1	BS-499587	Cylinder Head (Cylinder #1)	41	BS-690994	Float Bowl Gasket
2	BS-499595	Cylinder Head (Cylinder #2)	42	BS-690950	Intake Gasket
3	BS-499586	Valve Keeper	43	BS-690234	Carburetor Cover Plate Gasket
4	BS-690964	Valve Retainer	44	BS-499808	Carburetor Nozzle
5	BS-499597	Intake Valve	45	BS-499599	Cover-Rocker (Cylinder #1)
6	BS-690968	Valve Seal	46	BS-690995	Nozzle Gasket
7	BS-499596	Exhaust Valve	47	BS-690990	Screw (Carburetor Nozzle)
8	BS-690970	Exhaust Gasket	48	BS-690997	Sealing Washer
9	BS-690963	Valve Spring	49	BS-690985	Float Needle Valve
10	BS-262835	Guide Bushing	50	BS-690984	Float Hinge Pin
11	BS-690971	Rocker Cover Gasket	51	BS-690998	Choke Shaft Seal
12	BS-690972	Rocker Arm	52	BS-691000	Throttle Shaft Seal
13	BS-806038	Rocker Arm Pivot	53	BS-691045	Governor Crank
14	BS-690967	Screw (Rocker Arm)	54	BS-690552	Governor Crank Bushing
15	BS-690083	Rocker Arm Adjuster	55	BS-690553	Governor Crank Bushing
16	BS-690949	Intake Gasket	56	BS-690328	E-Ring Retainer
17	BS-690962	Cylinder Head Gasket	57	BS-690442	Washer (Governor Crank)
18	BS-499599	Cover-Rocker (Cylinder #1)	58	BS-690657	Governor Shaft Seal
19	BS-499600	Cover-Rocker (Cylinder #2)	59	BS-690988	O-Ring Seal (Fuel Transfer Tube)
20	BS-690360	Screw (Cylinder Head)	60	BS-499812	Carburetor Gasket Set
21	759-3336	Sparkplug	61	BS-499804	Carburetor
22	BS-691019	Governed Idle Spring	62	BS-690990	Screw (Cover Plate)
23	BS-691018	Governor Spring	63	BS-690999	Cover Plate
24	BS-690960	Screw (Rocker Cover)	64	BS-499802	Idle Speed Kit
25	BS-691048	Governor Control Lever	65	BS-499807	Choke Shaft Kit
26	BS-298049	Fuel Line (Cut to Required Length)	66	BS-805538	Screw (Choke Shaft)
27	BS-691049	Fuel Line (Molded)	67	BS-690986	Choke Valve
28	BS-95162	Hose Clamp	68	BS-690998	Choke Shaft Seal
29	BS-493629	Fuel Filter	69	BS-499805	Throttle Shaft Kit
30	BS-690960	Screw (Fuel Pump)	70	BS-805538	Screw (Throttle Valve)
31	BS-691034	Fuel Pump	71	BS-690993	Throttle Valve
32	BS-691040	Vacuum Hose	72	BS-691000	Throttle Shaft Seal
33	BS-691039	Fuel Pump Bracket	73	BS-499806	Carburetor Float
34	BS-690960	Screw (Fuel Pump Bracket)	74	BS-499803	Fuel Transfer Tube
35	BS-92278	Nut (Governor Control Lever)	75	BS-690991	Screw (Fuel Transfer Tube)
36	BS-94942	Washer (Governor Control Lever)	76	BS-499810	Float Bowl
37	BS-93853	Bolt (Governor Control Lever)	77	BS-690996	Solenoid Retainer
38	BS-691020	Throttle Link	78	BS-690992	Screw (Float Bowl)
39	BS-499811	Carburetor Kit	79	BS-691001	Air Cleaner Gasket
40	BS-690232	Main Jet	80	BS-499809	Fuel Solenoid
	BS-690989	Main Jet (High Altitude)			

MODEL Z-FORCE

B & S 407777-0128-E1



Assemblies Include All Parts Shown In Frames

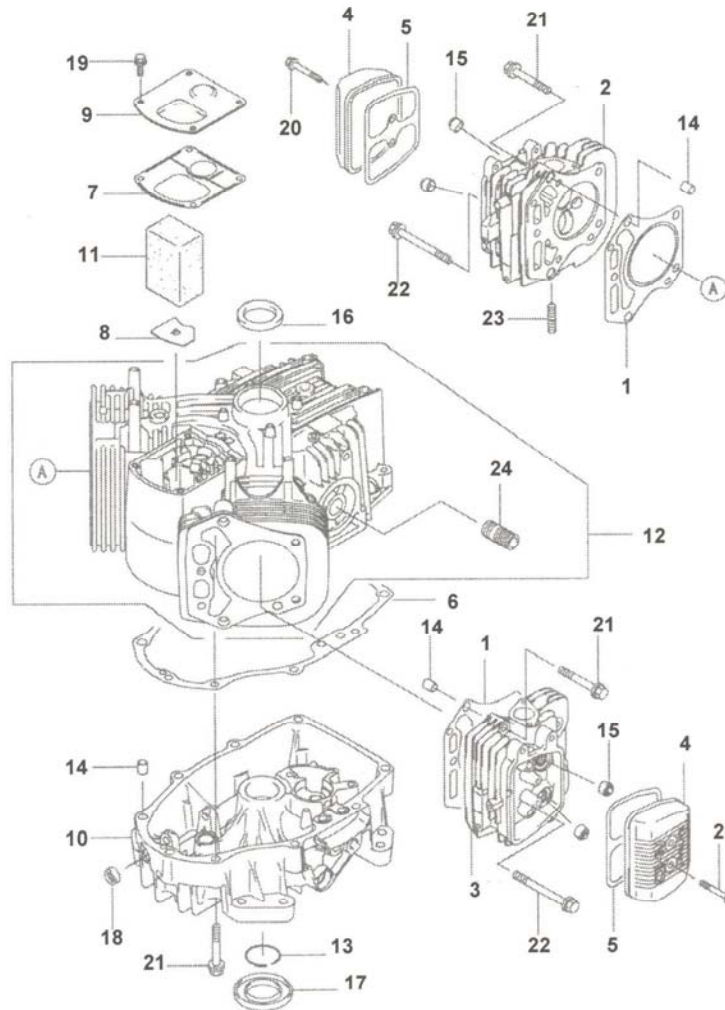
MODEL Z-FORCE

B & S 407777-0128-E1

REF. NO.	PART NO.	DESCRIPTION	REF. NO.	PART NO.	DESCRIPTION
1	BS-691055	Rotating Screen	32	BS-66538	Sparkplug Boot
2	BS-691215	Spacer	33	BS-499889	Engine Gasket Set
3	BS-691057	Screw (Rotating Screen)	34	BS-391086	Oil Seal (Magneto Side)
4	BS-499602	Dipstick/Tube Assembly	35	BS-690947	Oil Seal (PTO Side)
5	BS-690960	Screw (Dipstick Tube)	36	BS-691001	Air Cleaner Gasket
6	BS-691037	Dipstick Tube	37	BS-690962	Cylinder Head Gasket
7	BS-691036	Dipstick	38	BS-690949	Intake Gasket
8	BS-691032	Dipstick Tube Seal	39	BS-690997	Sealing Washer
9	BS-499602	Dipstick/Tube Seal	40	BS-690937	Breather Gasket
10	BS-691243	Flywheel Fan	41	BS-690950	Intake Gasket
11	BS-691059	Nut (Flywheel)	42	BS-690968	Valve Seal
12	BS-691056	Washer (Flywheel)	43	BS-690945	Crankcase Gasket
13	BS-94627	Screw (Fan-Retainer)	44	BS-690657	Governor Shaft Seal
14	BS-93621	Screw (Alternator)	45	BS-690589	O-Ring Seal (Oil Pump Cover)
15	BS-19203	Flywheel Puller	46	BS-690970	Exhaust Gasket
16	BS-691247	Fan Retainer	47	BS-690971	Rocker Cover Gasket
17	BS-393295	Alternator (Dual Circuit)	48	BS-94951	Screw (Drive Cap)
18	BS-393456	Alternator Connector/Wire	49	BS-691262	Starter Motor
19	BS-691220	Wiring Harness	50	BS-497606	Starter Drive
20	BS-691009	Back Plate	51	BS-263080	Retaining Ring
21	BS-690960	Screw (Back Plate)	52	BS-693058	Pinion Gear
22	BS-694123	Wire Clip	53	BS-398003	Drive Clutch
23	BS-690960	Screw (Regulator)	54	BS-497605	Brush Retainer
24	BS-394890	Regulator (Regulated-16 Amp)	55	BS-497608	Brush Set
26	BS-691283	Drive Cap	56	BS-693167	Nut (Brush Retainer)
27	BS-691053	Flywheel	57	BS-497607	End Cap
28	BS-499612	Gear-Ring	58	BS-92278	Nut (Brush Retainer)
29	BS-94731	Screw (Magneto Armature)	59	BS-691262	Housing-Starter
30	BS-691060	Magneto Armature	60	BS-95035	Bolt (Starter Motor)
31	BS-493880	Sparkplug Terminal	61	-	Armature (Serviced By Starter Only)

CYLINDER / CRANKCASE

FH451V-AS18

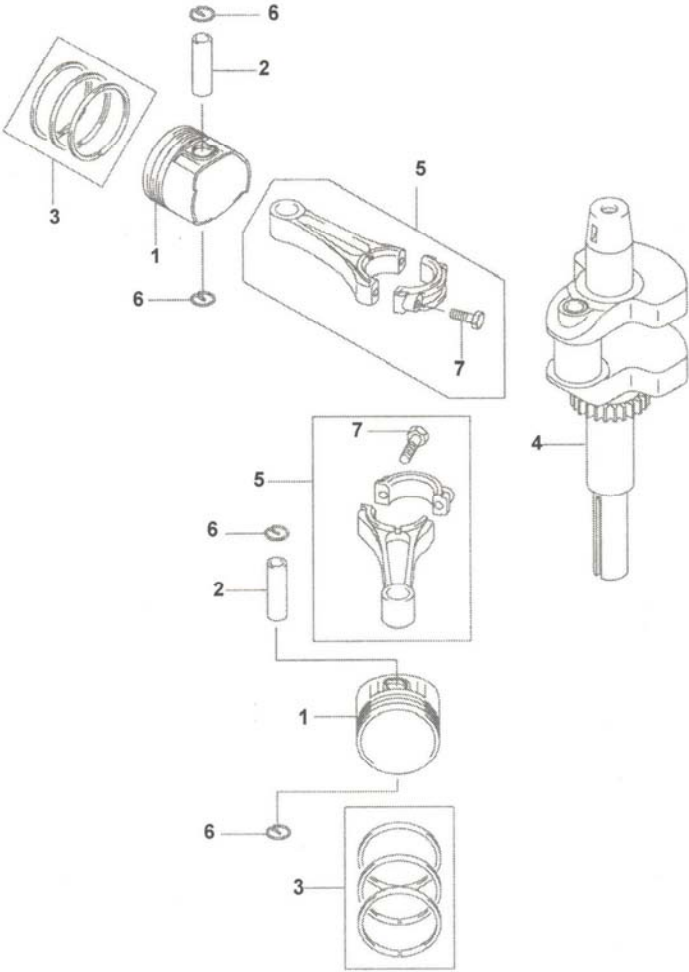


CYLINDER / CRANKCASE**FH451V-AS18**

REF. NO.	PART NUMBER	DESCRIPTION	QTY.
1	KM-11004-7005	Head Gasket	2
2	KM-11008-6042	Cylinder Head #1	1
3	KM-11008-7009	Cylinder Head #2	1
4	KM-11022-7003	Rocker Case	2
5	KM-11060-7001	Rocker Case Gasket	2
6	KM-11060-7008	Crankcase Gasket	1
7	KM-11061-7001	Breather Gasket	1
8	KM-13271-7016	Plate	1
9	KM-14091-7006	Breather Cover	1
10	KM-49015-6524	Crankcase Cover	1
11	KM-49109-7002	Breather Element	1
12	KM-49120-7021	Crankcase Complete	1
13	KM-92033-7003	Snap Ring	1
14	KM-92043-7001	Pin	6
15	KM-92049-7005	Oil Seal	4
16	KM-92049-7009	Oil Seal	1
17	KM-92049-7010	Oil Seal	1
18	KM-92049-7011	Oil Seal	1
19	KM-130G0612	Flange Bolt	4
20	KM-130B0640	Flange Bolt	4
21	KM-130T0850	Flange Bolt	17
22	KM-130T0875	Flange Bolt	2
23	KM-172G0818	Stud Bolt	4
24	KM-59071-2079	Joint	1

PISTON / CRANKSHAFT

FH451V-AS18

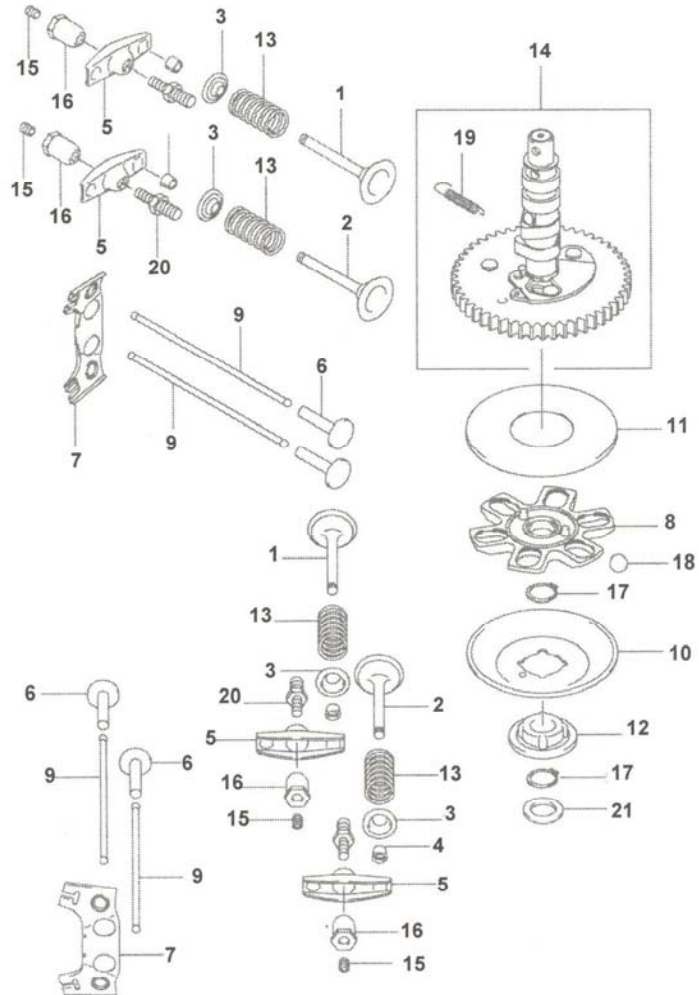


PISTON / CRANKSHAFT**FH451V-AS18**

REF. NO.	PART NUMBER	DESCRIPTION	QTY.
1	KM-13001-7008	Piston	2
	KM-13029-7004	Piston, 0.50	AR
2	KM-13002-7001	Piston Pin	2
3	KM-13008-6055	Piston Ring Set	2
	KM-13025-7001	Piston Ring Set, 0.50	AR
4	KM-13031-7001	Crankshaft	1
5	KM-13251-7004	Connecting Rod	2
	KM-13251-7003	Connecting Rod, 0.50	AR
6	KM-92033-7005	Snap Ring	4
7	KM-130G0630	Flange Bolt	4

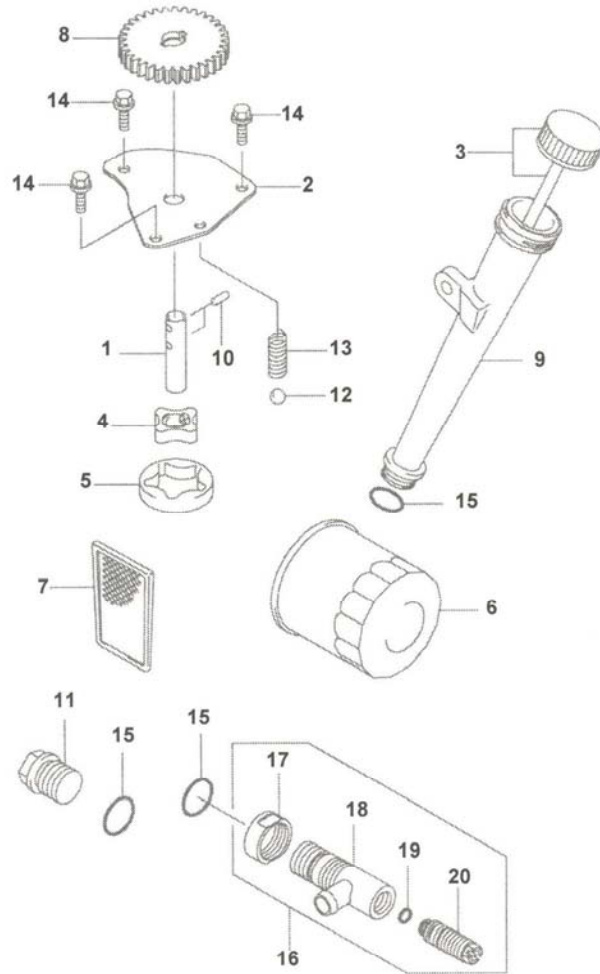
VALVE / CAMSHAFT

FH451V-AS18



VALVE / CAMSHAFT**FH451V-AS18**

REF. NO.	PART NUMBER	DESCRIPTION	QTY.
1	KM-12004-7003	Intake Valve	2
2	KM-12005-7003	Exhaust Vale	2
3	KM-12009-7001	Valve Spring Retainer	4
4	KM-12011-2056	Collet	8
5	KM-12016-7001	Rocker Arm	4
6	KM-12032-7001	Tappet	4
7	KM-13070-7001	Guide	1
8	KM-13070-7004	Guide	1
9	KM-13116-2057	Push Rod	4
10	KM-13271-7021	Governor Plate	1
11	KM-13271-7007	Plate	1
12	KM-42036-7009	Sleeve	1
13	KM-49078-7001	Valve Spring	4
14	KM-49118-7002	Camshaft	1
15	KM-92009-2341	Screw	4
16	KM-92015-2253	Nut	4
17	KM-92033-7001	Snap Ring	2
18	KM-92140-7002	Ball	6
19	KM-92145-7001	Spring	1
20	KM-92153-7019	Bolt	4
21	KM-92200-7001	Washer	1

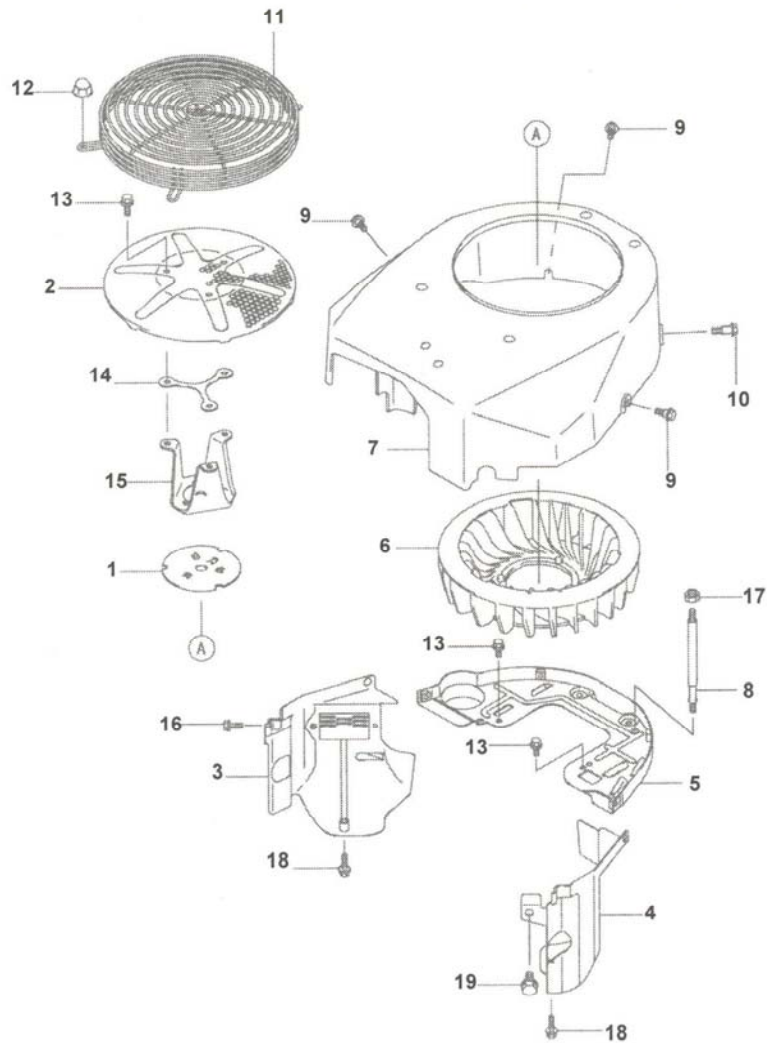


LUBRICATION EQUIPMENT**FH451V-AS18**

REF. NO.	PART NUMBER	DESCRIPTION	QTY.
1	KM-13107-7009	Shaft	1
2	KM-13271-7017	Plate	1
3	KM-14075-7009	Cap Assy.	1
4	KM-16154-2053	Pump Rotor (Inner)	1
5	KM-16154-2054	Pump Rotor (Outer)	1
6	KM-49065-2078	Oil Filter (Spin On)	1
7	KM-49065-7004	Oil Filter (Internal)	1
8	KM-59051-7011	Spur Gear	1
9	KM-59231-7005	Oil Dipstick Tube	1
10	KM-92043-7003	Pin	2
11	KM-92066-7003	Plug	1
12	KM-92140-7003	Ball	1
13	KM-92145-7002	Spring	1
14	KM-130G0612	Flange Bolt	3
15	KM-670D2016	O-Ring	3
16	KM-49116-7001	Valve Assy.	1
17	KM-92210-7012	Nut	1
18	KM-59071-7008	Joint	1
19	KM-92055-7002	O-Ring	1
20	KM-92066-7007	Plug	1

COOLING SYSTEM

FH451V-AS18

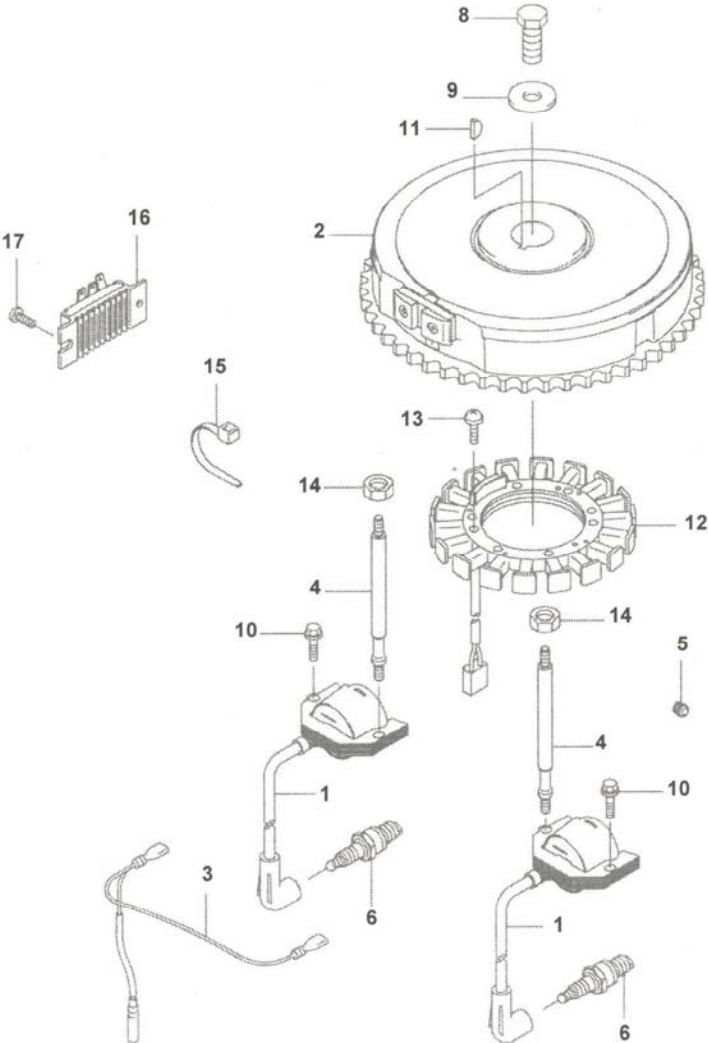


COOLING EQUIPMENT**FH451V-AS18**

REF. NO.	PART NUMBER	DESCRIPTION	QTY.
1	KM-13270-7007	Plate	1
2	KM-14037-70109H	Screen	1
3	KM-49089-7034	Engine Shroud	1
4	KM-49089-7002	Engine Shroud	1
5	KM-49089-7032	Engine Shroud	1
6	KM-59041-7001	Fan	1
7	KM-59066-7002	Fan Housing	1
8	KM-92004-2148	Stud	2
9	KM-92153-7007	Bolt	3
10	KM-92153-7008	Bolt	1
11	KM-55020-7004	Guard	1
12	KM-92210-0003	Nut	4
13	KM-130G0612	Flange Bolt	5
14	KM-92026-7007	Spacer	AR
15	KM-23062-7010	Bracket	1
16	KM-130B0616	Flange Bolt	2
17	KM-311B0600	Hex Nut	2
18	KM-130B0625	Flange Bolt	2
19	KM-130B0816	Flange Bolt	1

ELECTRIC EQUIPMENT

FH451V-AS18

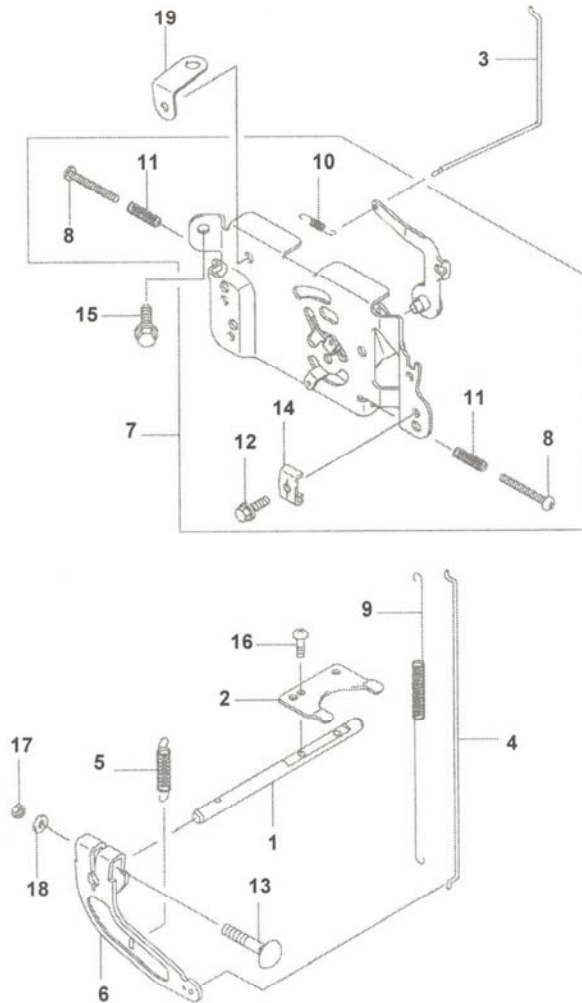


ELECTRIC EQUIPMENT**FH451V-AS18**

REF. NO.	PART NUMBER	DESCRIPTION	QTY.
1	KM-21171-7013	Ignition Coil	2
2	KM-21193-7007	Flywheel	1
3	KM-26030-7001	Harness	1
4	KM-92004-7009	Stud	2
5	KM-92066-7002	Plug	1
6	759-3331	Spark Plug	2
8	KM-92151-2097	Bolt 12 x 30	1
9	KM-92200-7002	Washer	1
10	KM-130B0620	Flange Bolt	2
11	KM-510A5100	Woodruff Key	1
12	KM-59031-7001	Stator	1
13	KM-224B0520	Pan Screw	4
14	KM-311B0600	Hex Nut	2
15	Obtain Locally	Tie Strap	2
16	KM-21066-7011	Voltage Regulator	1
17	KM-92009-2308	Screw	1

CONTROL EQUIPMENT

FH451V-AS18

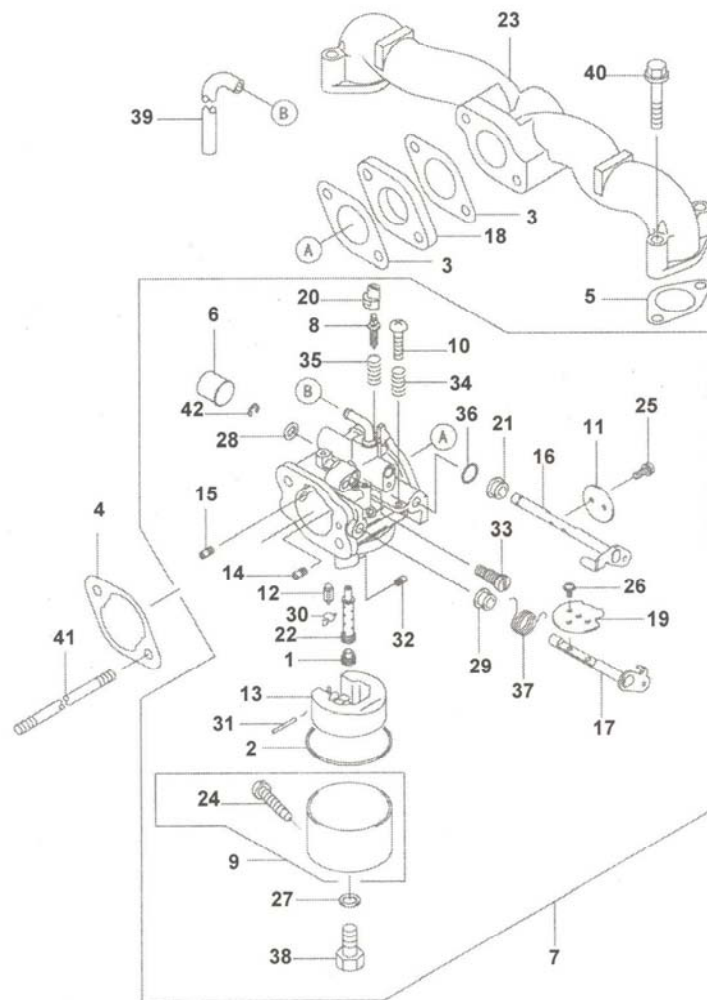


CONTROL EQUIPMENT**FH451V-AS18**

REF. NO.	PART NUMBER	DESCRIPTION	QTY.
1	KM-13107-7010	Shaft	1
2	KM-13271-7018	Plate	1
3	KM-16169-7010	Choke Link	1
4	KM-16171-7001	Link	1
5	KM-39129-7003	Governor Spring	1
6	KM-49103-7004	Governor Arm	1
7	KM-49113-7027	Control Panel	1
8	KM-92009-7007	Screw, 4 x 35	2
9	KM-92145-7003	Spring	1
10	KM-92145-7004	Spring	1
11	KM-92145-7005	Spring	2
12	KM-92150-2182	Bolt, 5 x 18	1
13	KM-92153-7005	Bolt, 6 x 35	1
14	KM-92170-7001	Clamp	1
15	KM-130G0612	Flange Bolt	2
16	KM-214B0408	Pan Screw	2
17	KM-311B0600	Hex Nut	1
18	KM-411B0600	Plain Washer	1
19	KM-11051-7008	Bracket	1

CARBURETOR

FH451V-AS18



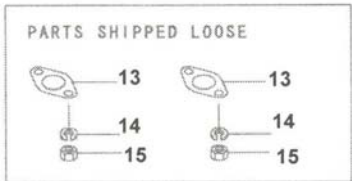
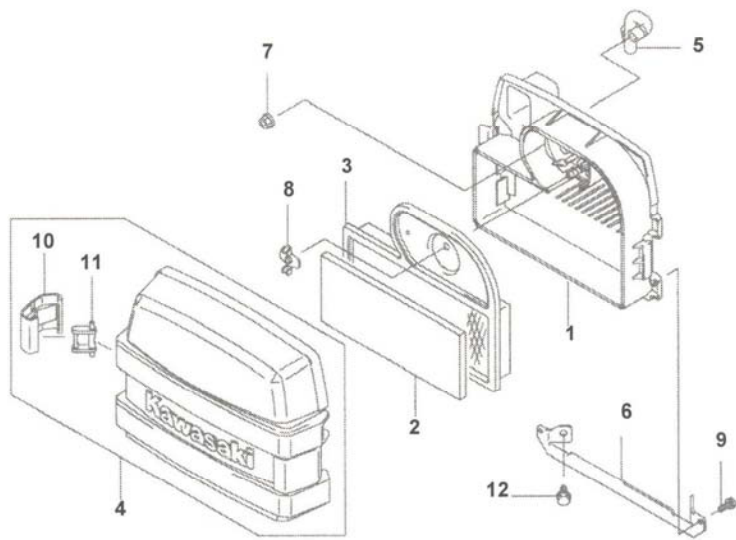
CARBURETOR

FH451V-AS18

REF. NO.	PART NUMBER	DESCRIPTION	QTY.	REF. NO.	PART NUMBER	DESCRIPTION	QTY.
1	KM-11003-2105	Needle Seat	1	22	KM-49121-2222	Main Nozzle, #113A	1
2	KM-11060-2406	Bowl Gasket	1	23	KM-59076-7001	Intake Manifold	1
3	KM-11061-7004	Insulator Gasket	2	24	KM-92009-2015	Screw	1
4	KM-11061-7018	Air Cleaner Gasket	2	25	KM-92009-2024	Screw	2
5	KM-11060-7005	Manifold Gasket	2	26	KM-92009-2081	Screw	2
6	KM-11065-2061	Cap	1	27	KM-92022-2231	Washer	1
7	KM-15003-7035	Carburetor Assy.	1	28	KM-92022-2239	Washer	1
8	KM-16014-2080	Pilot Air Screw	1	29	KM-92027-2025	Collar	1
9	KM-16020-2141	Float Bowl	1	30	KM-92033-2067	Snap Ring	1
10	KM-16021-2060	Throttle Stop Screw	1	31	KM-92043-2226	Pin	1
11	KM-16025-2193	Throttle Valve # 130	1	32	KM-92063-2358	Main Jet # 125	1
12	KM-16030-2067	Float Needle	1	33	KM-92064-2125	Pilot Jet, # 48.8	1
13	KM-16031-2066	Float	1	34	KM-92081-2009	Spring	1
14	KM-16035-2060	Air Jet, # 1.7	1	35	KM-92081-2256	Spring	1
15	KM-16035-2061	Air Jet, # 1.2	1	36	KM-92093-2002	Seal	1
16	KM-16041-7005	Throttle Shaft	1	37	KM-92145-2061	Spring	1
17	KM-16041-7006	Choke Shaft	1	38	KM-92151-2092	Bolt	1
18	KM-16073-7007	Insulator	1	39	KM-92191-7016	Tube	1
19	KM-16126-7006	Choke Valve	1	40	KM-130B0635	Flange Bolt	4
20	KM-39076-2053	Limiter	1	41	KM-172G0685	Stud Bolt	2
21	KM-43058-3716	Ring	1	42	KM-482L4000	E-Style Circlip	1

AIR FILTER

FH451V-AS18

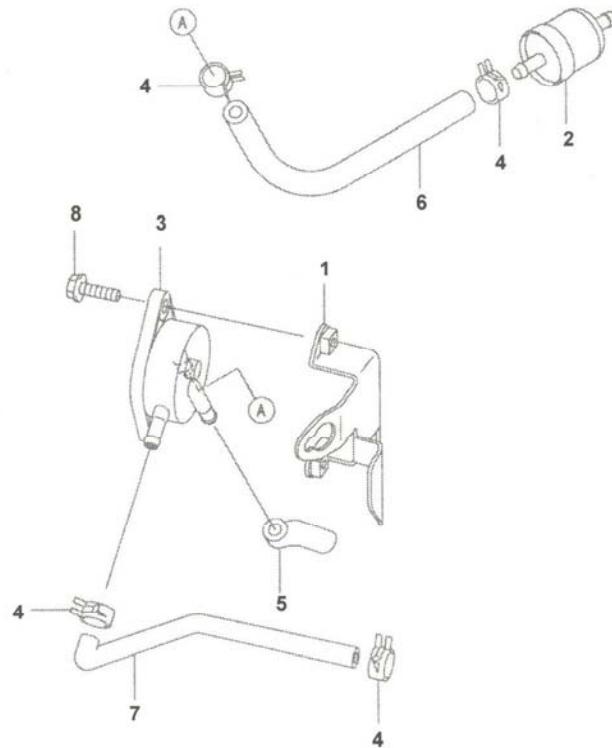


AIR FILTER**FH451V-AS18**

REF. NO.	PART NUMBER	DESCRIPTION	QTY.
1	KM-11038-7006	Air Filter Case	1
2	KM-11013-7001	Pre Filter	1
3	KM-11013-7002	Air Filter	1
4	KM-11038-7009	Air Filter Cover	1
5	KM-92191-7001	Tube	1
6	KM-11050-7006	Bracket	1
7	KM-92015-1193	Nut	2
8	KM-92210-7004	Nut	1
9	KM-232B0514	Pan Screw	2
10	KM-27012-7001	Air Filter Hook	2
11	KM-59071-7013	Joint	2
12	KM-130G0612	Flange Bolt	2
13	KM-11060-7021	Muffler Gasket	2
14	KM-461F0800	Lock Washer	4
15	KM-317R0800	Hex Nut	4

FUEL SYSTEM

FH451V-AS18

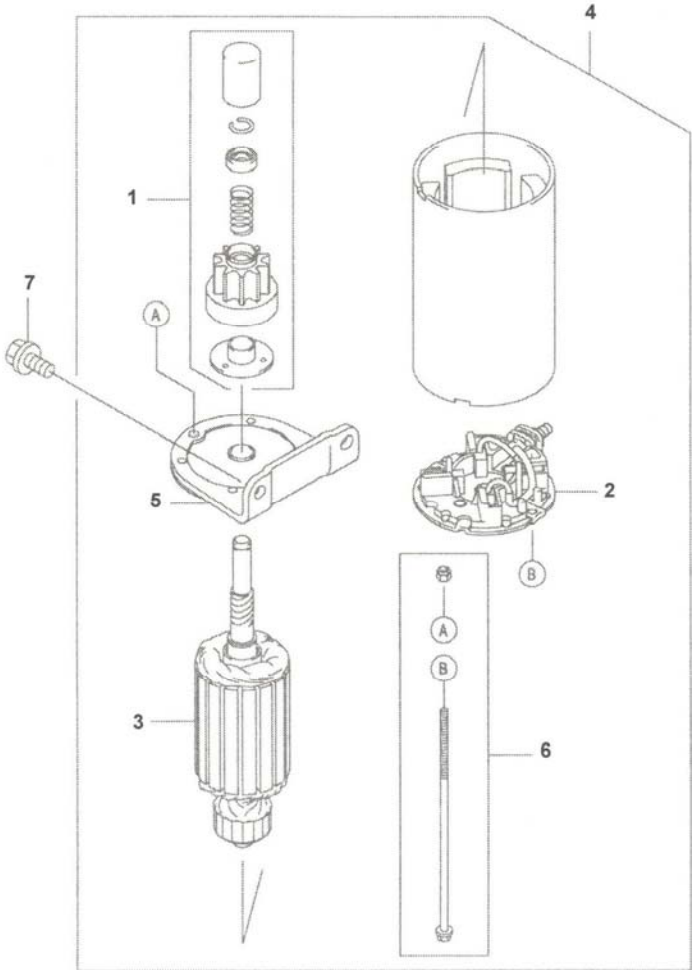


FUEL SYSTEM**FH451V-AS18**

REF. NO.	PART NUMBER	DESCRIPTION	QTY.
1	KM-23062-70049H	Bracket	1
2	KM-49019-7001	Fuel Filter	1
3	KM-49040-7001	Fuel Pump	1
4	KM-92170-2088	Clamp	4
5	KM-92191-7002	Tube	1
6	KM-92191-7003	Tube	1
7	KM-92191-7004	Tube	1
8	KM-130B0620	Flange Bolt	2

STARTER

FH451V-AS18



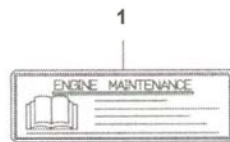
STARTER

FH451V-AS18

REF. NO.	PART NUMBER	DESCRIPTION	QTY.
1	KM-13101-7003	Gear Assy.	1
2	KM-21039-7004	Brush	1
3	KM-21080-7001	Armature	1
4	KM-21163-7010	Starter	1
5	KM-39184-7004	Bracket Assy.	1
6	KM-92151-7013	Bolt	1
7	KM-130B0816	Flange Bolt	2

LABELS

FH451V-AS18



LABELS**FH451V-AS18**

REF. NO.	PART NUMBER	DESCRIPTION	QTY.
1	KM-56033-7001	Manual Label	1
2	KM-56070-7001	Warning Label	1
3	KM-56080-7010	Brand Label	1

NOT SHOWN ON PREVIOUS PAGE

REF. NO.	PART NUMBER	DESCRIPTION	QTY.
	N/A	Short Block	
	01008415	Complete	

Cub Cadet 

Cub Cadet LLC
P.O. Box 361131
Cleveland, OH 44136

Free Manuals Download Website

<http://myh66.com>

<http://usermanuals.us>

<http://www.somanuals.com>

<http://www.4manuals.cc>

<http://www.manual-lib.com>

<http://www.404manual.com>

<http://www.luxmanual.com>

<http://aubethermostatmanual.com>

Golf course search by state

<http://golfingnear.com>

Email search by domain

<http://emailbydomain.com>

Auto manuals search

<http://auto.somanuals.com>

TV manuals search

<http://tv.somanuals.com>