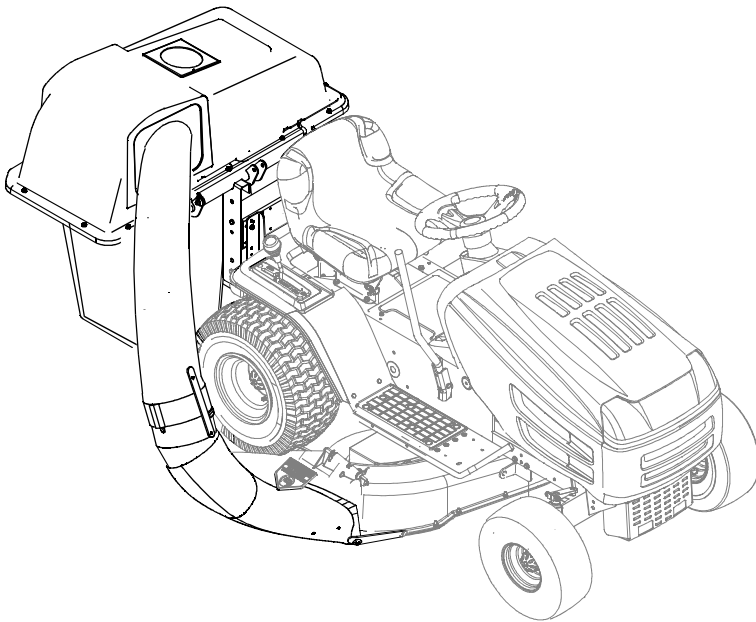


# *Cub Cadet*

## Operator's Manual



### **Twin Rear Bagger Kit**

Models

190-670-100

and

190-678-100

**IMPORTANT:** Read safety rules and instructions carefully

**Warning:** This unit is equipped with an internal combustion engine and should not be used on or near any unimproved forest-covered, brush-covered or grass-covered land unless the engine's exhaust system is equipped with a spark arrester meeting applicable local or state laws (if any). If a spark arrester is used, it should be maintained in effective working order by the operator. In the State of California the above is required by law (Section 4442 of the California Public Resources Code). Other states may have similar laws. Federal laws apply on federal lands. A spark arrester for the muffler is available through your Cub Cadet dealer or contact the service department, P.O. Box 361131 Cleveland, Ohio 44136-0019.

**Cub Cadet LLC., P.O. Box 361131, Cleveland, Ohio 44136-0019**

PRINTED IN U.S.A.

FORM NO. 769-00657  
(1/2003)

## TABLE OF CONTENTS

Content	Page
Important Safe Operation Practices.....	3
Loose Parts .....	6
Assembly & Operation.....	7
Parts List.....	10
Warranty.....	12

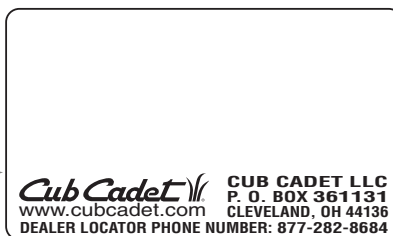
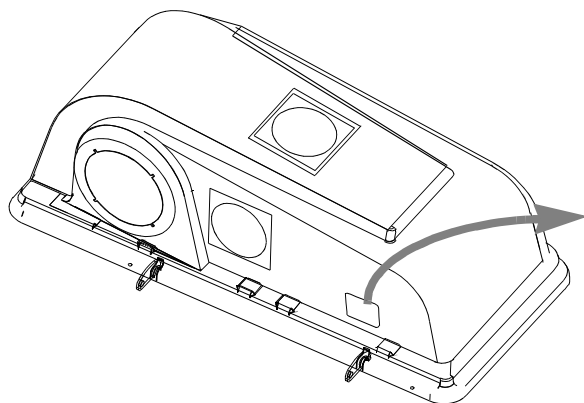
## FINDING MODEL NUMBER

This Operator's Manual is an important part of your new lawn tractor. It will help you assemble, prepare and maintain the unit for best performance. Please read and understand what it says.



**Before you start assembling your new equipment**, please locate the model plate on the equipment and copy the information from it in the space provided below. The information on the model plate is very important if you need help from our Customer Support Department or an authorized dealer.

- You can locate the model number in the front, left portion of the plastic grass catcher cover. A sample model plate is explained below. For future reference, please copy model number and serial number of the tractor accessory in the space below.



Copy the model number here: \_\_\_\_\_

Copy the serial number here: \_\_\_\_\_

## CALLING CUSTOMER SUPPORT

If you have difficulty assembling this product or have any questions regarding the controls, operation or maintenance of this unit, please call the customer support department.



Call **1-877-282-8684** to reach the Customer Dealer Referral Line. Please have your unit's model number and serial number ready when you call. See previous section to locate this information. You will be asked to enter the serial number in order to process your call.

For more details about your unit, visit our website at [www.cubcadet.com](http://www.cubcadet.com)

---

## SECTION 1: IMPORTANT SAFE OPERATION PRACTICES



**WARNING:** This symbol points out important safety instructions which, if not followed, could endanger the personal safety and/or property of yourself and others. Read and follow all instructions in this manual before attempting to operate this machine. Failure to comply with these instructions may result in personal injury. When you see this symbol—heed its warning.



**WARNING:** The Battery and Engine Exhaust contains chemicals known to the State of California to cause cancer, birth defects or other reproductive harm. The battery and posts contain lead; wash hands after handling.



**WARNING:** This machine was built to be operated according to the rules for safe operation in this manual. As with any type of power equipment, carelessness or error on the part of the operator can result in serious injury. This machine is capable of amputating hands and feet and throwing objects. Failure to observe the following safety instructions could result in serious injury or death.

### General Operation

1. Read, understand, and follow all instructions on the machine and in the manual(s) before attempting to assemble and operate. Keep this manual in a safe place for future and regular reference and for ordering replacement parts.
2. Be familiar with all controls and their proper operation. Know how to stop tractor and disengage controls quickly.
3. Never allow children under 14 years old to operate this machine. Children 14 years old and over should read and understand the operation instructions and safety rules in this manual and should be trained and supervised by a parent.
4. Never allow adults to operate this machine without proper instruction.
5. To help avoid blade contact or a thrown object injury, keep bystanders, helpers, children and pets at least 75 feet from the machine while it is in operation. Stop machine if anyone enters the area.
6. Thoroughly inspect the area where the equipment is to be used. Remove all stones, sticks, wire, bones, toys, and other foreign objects which could be picked up and thrown by the blade(s). Thrown objects can cause serious personal injury.
7. Plan your mowing pattern to avoid discharge of material toward roads, sidewalks, bystanders and the like. Also, avoid discharging material against a wall or obstruction which may cause discharged material to ricochet back toward the operator.
8. Always wear safety glasses or safety goggles during operation and while performing an adjustment or repair to protect your eyes. Thrown objects which ricochet can cause serious injury to the eyes.
9. Wear sturdy, rough-soled work shoes and close-fitting slacks and shirts. Loose fitting clothes and jewelry can be caught in movable parts. Never operate this machine in bare feet or sandals.
10. Be aware of the mower and attachment discharge direction and do not point it at anyone. Do not operate the mower without the discharge cover or entire grass catcher in its proper place.
11. Do not put hands or feet near rotating parts or under the cutting deck. Contact with the blade(s) can amputate hands and feet.
12. A missing or damaged discharge cover can cause blade contact or thrown object injuries.
13. Stop the blade(s) when crossing gravel drives, walks, or roads and while not cutting grass.
14. Watch for traffic when operating near or crossing roadways. This machine is not intended for use on any public roadway.
15. Do not operate the machine while under the influence of alcohol or drugs.
16. Mow only in daylight or good artificial light.
17. Never carry passengers.
18. Disengage blade(s) before shifting into reverse. Back up slowly. Always look down and behind before and while backing to avoid a back-over accident.
19. Slow down before turning. Operate the machine smoothly. Avoid erratic operation and excessive speed.
20. Disengage blade(s), set parking brake, stop engine and wait until the blade(s) come to a complete stop before removing grass catcher, emptying grass, unclogging chute, removing any grass or debris, or making any adjustments.
21. Never leave a running machine unattended. Always turn off blade(s), place transmission in neutral, set parking brake, stop engine and remove key before dismounting.
22. Use extra care when loading or unloading the machine into a trailer or truck. This unit should not be driven up or down ramp(s), because the unit could tip over, causing serious personal injury. The unit must be pushed manually on ramp(s) to load or unload properly.
23. Muffler and engine become hot and can cause a burn. Do not touch.
24. Check overhead clearances carefully before driving under low tree branches, wires, door openings etc., where the operator may be struck or pulled from the unit, which could result in serious injury.
25. Disengage all attachment clutches, depress the brake pedal completely and shift into neutral before attempting to start engine.
26. Your machine is designed to cut normal residential grass of a height no more than 10". Do not attempt to mow through unusually tall, dry grass (e.g., pasture) or piles of dry leaves. Dry grass or leaves may contact the engine exhaust and/or build up on the mower deck presenting a potential fire hazard.

27. Use only accessories and attachments approved for this machine by the machine manufacturer. Read, understand and follow all instructions provided with the accessory or attachment.
28. Data indicates that operators, age 60 years and above, are involved in a large percentage of tractor-related injuries. These operators should evaluate their ability to operate the tractor safely enough to protect themselves and others from serious injury.
29. If situations occur which are not covered in this manual, use care and good judgment. Contact your Yard-Man dealer for assistance.

### Slope Operation

Slopes are a major factor related to loss of control and tip-over accidents which can result in severe injury or death. All slopes require extra caution. If you cannot back up the slope or if you feel uneasy, do not mow it.

For your safety, use the slope gauge included as part of this manual to measure slopes before operating this unit on a sloped or hilly area. If the slope is greater than 15 degrees as shown on the slope gauge, do not operate this unit on that area.

#### Do:

1. Mow up and down slopes, not across. Exercise extreme caution when changing direction on slopes.
2. Watch for holes, ruts, bumps, rocks, or other hidden objects. Uneven terrain could overturn the machine. Tall grass can hide obstacles.
3. Use slow speed. Choose a low enough speed setting so that you will not have to stop or shift while on the slope. Tires may lose traction on slopes even though the brakes are functioning properly. Always keep machine in gear when going down slopes to take advantage of engine braking action.
4. Follow the manufacturer's recommendations for wheel weights or counterweights to improve stability of the machine. Use extra care with grass catchers or other attachments. These can change stability of the machine.
5. Keep all movement on the slopes slow and gradual. Do not make sudden changes in speed or direction. Rapid engagement or braking could cause the front of the machine to lift and rapidly flip over backwards which could cause serious injury.
6. Avoid starting or stopping on a slope. If tires lose traction, disengage the blade(s) and proceed slowly straight down the slope.

#### Do Not:

1. Do not turn on slopes unless necessary; then, turn slowly and gradually downhill, if possible.
2. Do not mow near drop-offs, ditches or embankments. The mower could suddenly turn over if a wheel is over the edge of a cliff, ditch, or if an edge caves in.
3. Do not try to stabilize the machine by putting your foot on the ground.
4. Do not use a grass catcher on steep slopes.
5. Do not mow on wet grass. Reduced traction could cause sliding.
6. Do not shift to neutral and coast downhill. Over-speeding may cause the operator to lose control of the machine resulting in serious injury or death.
7. Do not tow heavy pull behind attachments (e.g. loaded

dump cart, lawn roller, etc.) on slopes greater than 5 degrees. When going down hill, the extra weight tends to push the tractor and may cause you to lose control. (e.g. tractor may speed up, braking and steering ability are reduced, attachment may jack-knife and cause tractor to overturn).

### Children

1. Tragic accidents can occur if the operator is not alert to the presence of children. Children are often attracted to the machine and the mowing activity. They do not understand the dangers. Never assume that children will remain where you last saw them.
  - a. Keep children out of the mowing area and in watchful care of a responsible adult other than the operator.
  - b. Be alert and turn machine off if a child enters the area.
  - c. Before and while backing, look behind and down for small children.
  - d. Never carry children, even with the blade(s) shut off. They may fall off and be seriously injured or interfere with safe machine operation.
  - e. Use extreme care when approaching blind corners, doorways, shrubs, trees or other objects that may block your vision of a child who may run into the machine.
  - f. Disengage the cutting blade(s) before shifting in reverse. The "No-Cut-In Reverse" feature emphasises not to cut in reverse and to avoid back-over accidents; do not defeat it.
  - g. Keep children away from hot or running engines. They can suffer burns from a hot muffler.
  - h. Remove key when machine is unattended to prevent unauthorized operation.
9. Never allow children under 14 years old to operate the machine. Children 14 years old and over should read and understand the operation instructions and safety rules in this manual and should be trained and supervised by a parent.

### Towing

1. Tow only with a machine that has a hitch designed for towing. Do not attach towed equipment except at the hitch point.
2. Follow the manufacturer's recommendation for weight limits for towed equipment and towing on slopes.
3. Never allow children or others in or on towed equipment.
4. On slopes, the weight of the towed equipment may cause loss of traction and loss of control.
5. Travel slowly and allow extra distance to stop.
6. Do not shift to neutral and coast downhill.

### Service

#### Safe Handling Of Gasoline

1. To avoid personal injury or property damage use extreme care in handling gasoline. Gasoline is extremely flammable and the vapors are explosive. Serious personal injury can occur when gasoline is spilled on yourself or your clothes which can ignite. Wash your skin and change clothes immediately.
  - a. Use only an approved gasoline container.
  - b. Never fill containers inside a vehicle or on a truck

or trailer bed with a plastic liner. Always place containers on the ground away from your vehicle before filling.

- c. When practical, remove gas-powered equipment from the truck or trailer and refuel it on the ground. If this is not possible, then refuel such equipment on a trailer with a portable container, rather than from a gasoline dispenser nozzle.
- d. Keep the nozzle in contact with the rim of the fuel tank or container opening at all times until fueling is complete. Do not use a nozzle lock-open device.
- e. Extinguish all cigarettes, cigars, pipes and other sources of ignition.
- f. Never fuel machine indoors.
- g. Never remove gas cap or add fuel while the engine is hot or running. Allow engine to cool at least two minutes before refueling.
- h. Never over fill fuel tank. Fill tank to no more than  $\frac{1}{2}$  inch below bottom of filler neck to allow space for fuel expansion.
- i. Replace gasoline cap and tighten securely.
- j. If gasoline is spilled, wipe it off the engine and equipment. Move unit to another area. Wait 5 minutes before starting the engine.
- k. To reduce fire hazards, keep machine free of grass, leaves, or other debris build-up. Clean up oil or fuel spillage and remove any fuel soaked debris.
- l. Never store the machine or fuel container inside where there is an open flame, spark or pilot light as on a water heater, space heater, furnace, clothes dryer or other gas appliances.
- m. Allow a machine to cool at least 5 minutes before storing.

### General Service

1. Never run an engine indoors or in a poorly ventilated area. Engine exhaust contains carbon monoxide, an odorless, and deadly gas.
2. Before cleaning, repairing, or inspecting, make certain the blade(s) and all moving parts have stopped. Disconnect the spark plug wire and ground against the engine to prevent unintended starting.
3. Periodically check to make sure the blades come to

## Your Responsibility

Restrict the use of this accessory and the tractor to persons who read, understand and follow the warnings and instructions in this manual and on the machine.

**IMPORTANT:** Models 190-670 and 190-678 Twin Rear Bagger Kits are grass collection systems designed for use on Cub Cadet Lawn Tractors equipped with 38-inch/42-inch cutting deck and 46-inch cutting deck respectively. These will NOT mount, nor operate safely or properly, on any other tractor regardless of the tractor's compatibility with similar accessories.

complete stop within approximately (5) five seconds after operating the blade disengagement control. If the blades do not stop within the this time frame, your unit should be serviced professionally by an authorized dealer.

4. Check brake operation frequently as it is subjected to wear during normal operation. Adjust and service as required.
5. Check the blade(s) and engine mounting bolts at frequent intervals for proper tightness. Also, visually inspect blade(s) for damage (e.g., excessive wear, bent, cracked).  
Replace the blade(s) with the original equipment manufacturer's (O.E.M.) blade(s) only, listed in this manual. "Use of parts which do not meet the original equipment specifications may lead to improper performance and compromise safety!"
6. Mower blades are sharp. Wrap the blade or wear gloves, and use extra caution when servicing them.
7. Keep all nuts, bolts, and screws tight to be sure the equipment is in safe working condition.
8. Never tamper with the safety interlock system or other safety devices. Check their proper operation regularly.
9. After striking a foreign object, stop the engine, disconnect the spark plug wire(s) and ground against the engine. Thoroughly inspect the machine for any damage. Repair the damage before starting and operating.
10. Never attempt to make adjustments or repairs to the machine while the engine is running.
11. Grass catcher components and the discharge cover are subject to wear and damage which could expose moving parts or allow objects to be thrown. For safety protection, frequently check components and replace immediately with original equipment manufacturer's (O.E.M.) parts only, listed in this manual. "Use of parts which do not meet the original equipment specifications may lead to improper performance and compromise safety!"
12. Do not change the engine governor settings or over-speed the engine. The governor controls the maximum safe operating speed of the engine.
13. Maintain or replace safety and instruction labels, as necessary.
14. Observe proper disposal laws and regulations for gas, oil, etc. to protect the environment.

## SECTION 2: LOOSE PARTS

The grass catcher kit is shipped with following loose parts in the carton. Please remove all loose parts from the carton before discarding it. Compare with Figure 1 to check that no parts are missing from the kit or have been misplaced during unpacking.

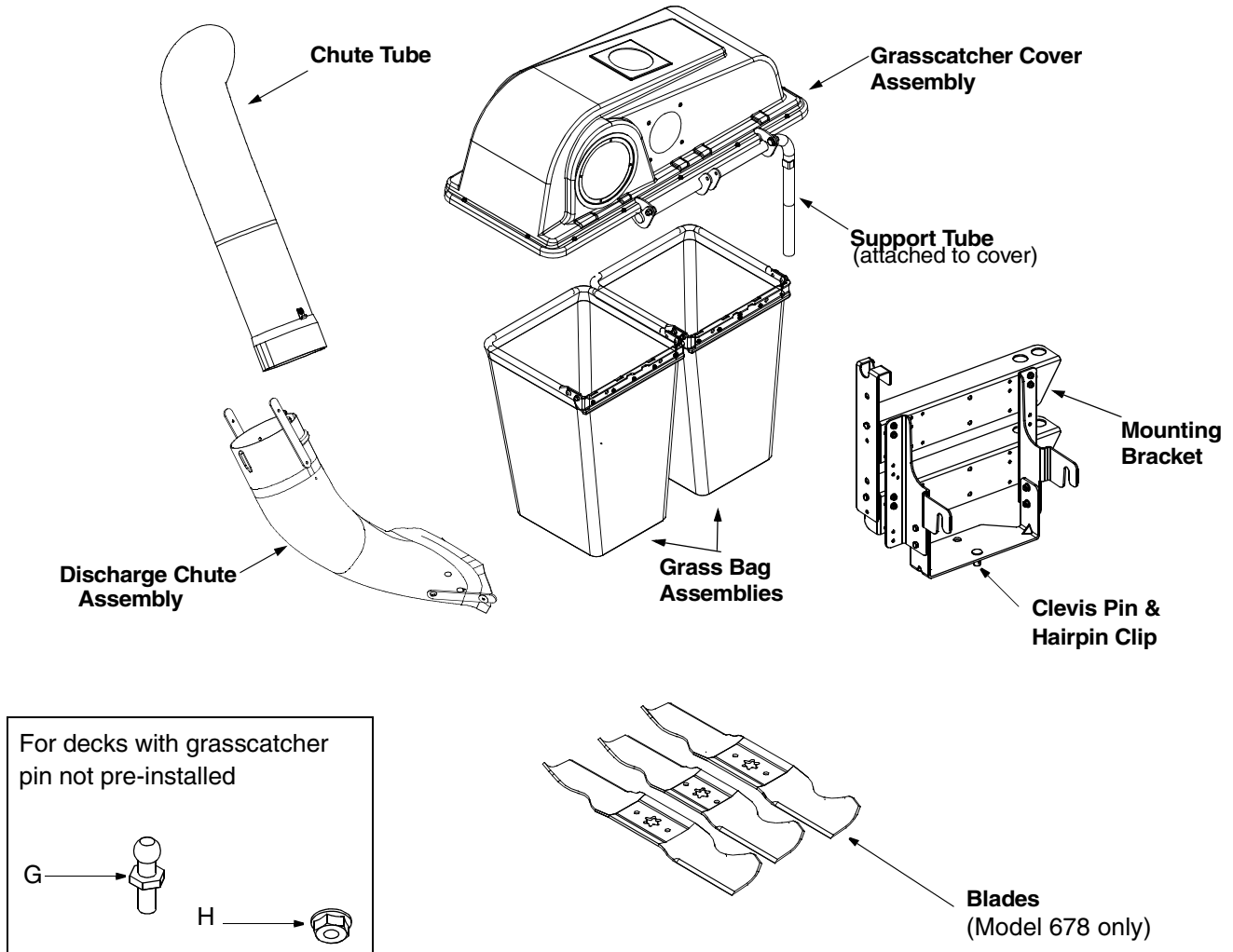


Figure 1

The loose parts consist of:

1. One Chute Tube
2. One Discharge Chute Assembly
3. One Set of Blades (Model 678 only)
4. Two Grass Bag Assemblies
5. One Grass Catcher Cover Assembly
6. One Mounting Bracket Assembly w/ Clevis Pin & Hairpin Clip
7. One set of grasscatcher pin (G) and lock nut (H).

## SECTION 3: ASSEMBLY & OPERATION

**NOTE:** References to *LEFT*, *RIGHT*, *FRONT* and *REAR* of the tractor are from the operator's position.

- **Before** assembly, place the tractor on a firm and level surface, disengage the PTO, stop the tractor engine and set the parking brake.

### Mounting Bracket Assembly

**NOTE:** For convenience, pivot the seat forward and leave it in that position until the grass collector is fully mounted and assembled.

- Remove the hairpin clip and clevis pin from the rear of the mounting bracket assembly.
- Position the hooked ends of the bracket assembly to the outside of the hitch plate and over the shoulder bolts. See Figure 2.

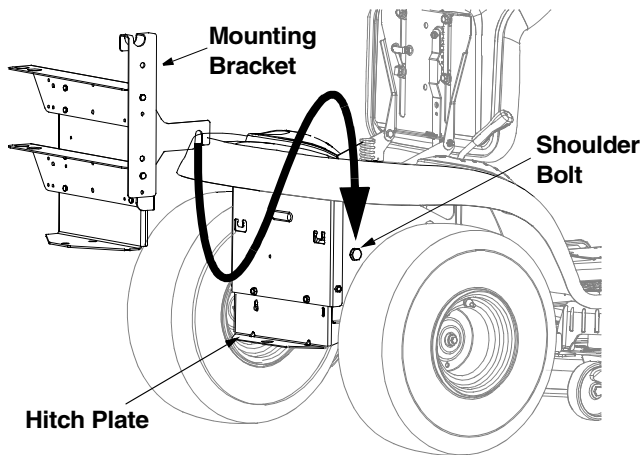


Figure 2

- Reinsert the clevis pin through the aligned holes in both the bracket assembly and the hitch plate and secure with the hairpin clip. See Figure 3.

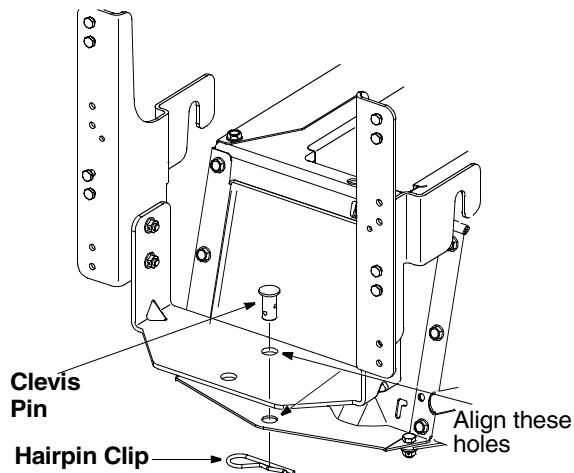


Figure 3

**IMPORTANT:** There are two holes in the clevis pin. Be sure to insert the hairpin clip in the **upper** hole to properly secure the bracket assembly to the hitch plate.

### Attaching the Grasscatcher Cover and Bags

- Slide the support tube down through the holes in the left side of the mounting bracket assembly. Use the **inside** hole on the bracket assembly regardless of what size deck your tractor is equipped with. See Figure 4.

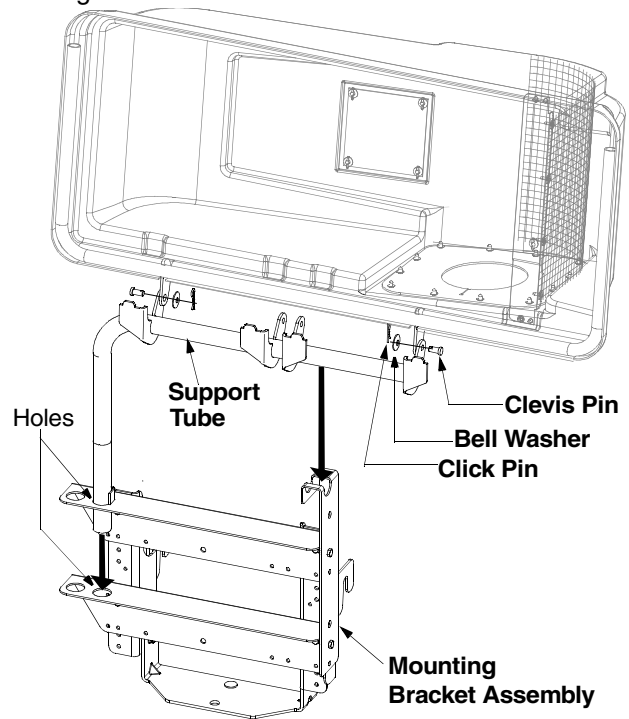


Figure 4

- Place the grasscatcher cover assembly in position so that the support tube rests on the right side of the mounting bracket assembly. Allow the plastic cover to rest in the "open" position. See Figure 5.

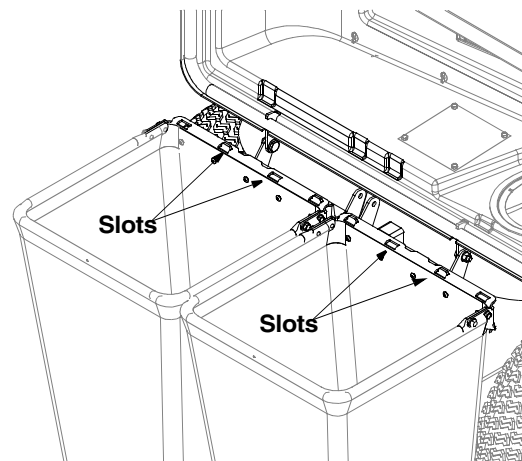


Figure 5

- Attach the grass bags using the slots shown in Figure 5. Close the grasscatcher cover.

### Attaching the Discharge Chute

- Raise the deck to its highest position.
- **On older models:** Remove the clip, if already installed on the deck next to the discharge chute opening, by removing the lock nut, spring washer and hex bolt that secure it. See Figure 6A.

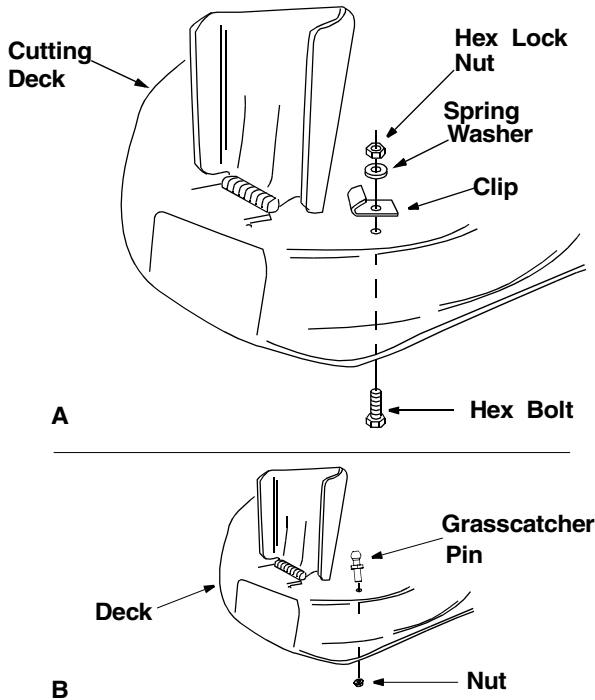


Figure 6

- **On older models:** A grasscatcher pin (G in Figure 1) and nut (H in Figure 1) have been supplied in the hardware pack. Attach these to the deck in place of the clip just removed. Follow Figure 6B for order of assembly. Make sure to secure the pin tightly.
- Raise the chute deflector on the deck and hold it while you position the discharge chute over the chute opening.
- Place the top rear edge of the discharge chute over the top rear edge of the chute opening.
- Push down on the discharge chute so that its front bottom edge rolls over the bottom of the deck; then slide the chute forward to the stop on the deck. See Figure 7.

**NOTE:** The retainer strap is fitted at position B on the discharge chute. However, on older models of tractors, you may have to change the position of the strap depending on the location of the grasscatcher pin on the deck. Remove the retainer strap from position B on the discharge chute to position A or C corresponding to the position of the grasscatcher pin at A, B or C on the deck. See Figure 7.

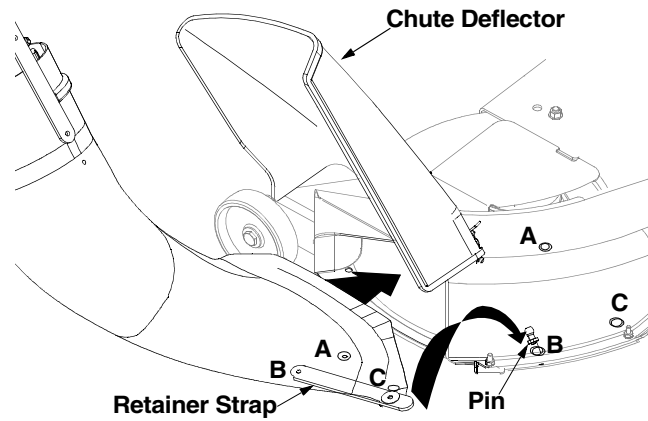


Figure 7

- Place the deck at its lowest position.
- Lock the discharge chute in position by hooking the retainer strap over the grasscatcher pin on the deck. See Figure 7 for the pin position.
- Raise the deck back to its highest position.
- Insert the curved end of chute tube into the hole in the grass bag cover. See Figure 8.

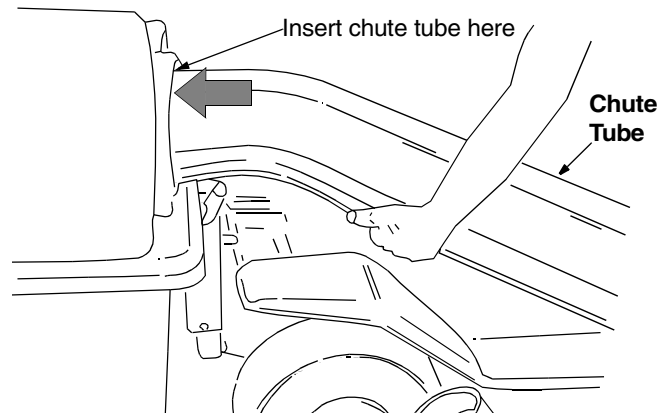


Figure 8

- Place the lower end of the chute tube over the discharge chute so that the two notches on the chute tube fit into the two corresponding notches on the discharge chute. See Figure 9.

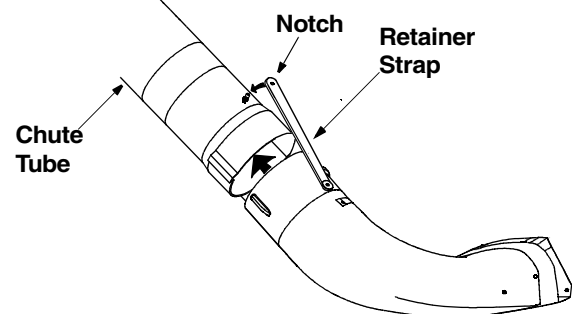


Figure 9

- Secure by clipping the two retainer straps of the discharge chute to the pins on the chute tube. See Figure 9.



## Attaching Blades (Model 190-678 only)

Remove the blades from your tractor's cutting deck as follows.

- Remove the cutting deck from beneath the tractor, (refer to **Deck Removal** in the **Maintenance** section of your tractor's operator's manual for detailed instructions) then gently flip the deck over to expose its underside.
- Place a block of wood between the center deck housing baffle and the cutting blade to act as a stabilizer. See Figure 10.
- Use a 15/16" wrench to remove the hex flange nut that secures the blade to the spindle assembly. See Figure 10.

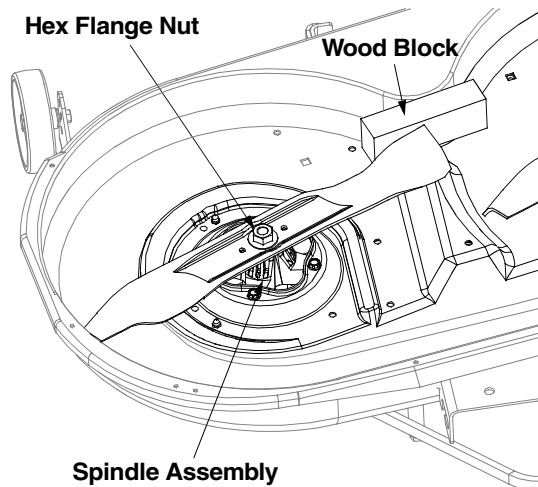


Figure 10

**NOTE:** The hex flange nut has a right-handed thread pattern. Do NOT attempt to force the nut in the incorrect direction. Doing so may damage the nut and create a safety hazard.

Attach the new blades from the bagger kit as follows:

- Install the new blades packed with the bagger. Be sure to install the blade with the side of the blade marked "Bottom" (or with a part number stamped in it) facing the ground when the mower is in the operating position.
- Mount the smaller of the three blades to the center spindle. The remaining two blades are interchangeable.

**IMPORTANT:** Use a torque wrench to tighten the blade spindle hex flange nut to between 70 foot-pounds and 90 foot-pounds.

- Re-mount the cutting deck.

## Operation

- Open the grass bag cover by lifting the cover up as shown in Figure 11A. Do not remove the chute tube assembly from the tractor.
- Remove the grass bags by lifting these up and moving the bags away from the support tube assembly. See Figure 11B.
- To empty the grass clippings at a proper disposal sight, use the handle at the bottom of each grass bag. Holding the bag firmly as shown below in Figure 11C, empty the contents

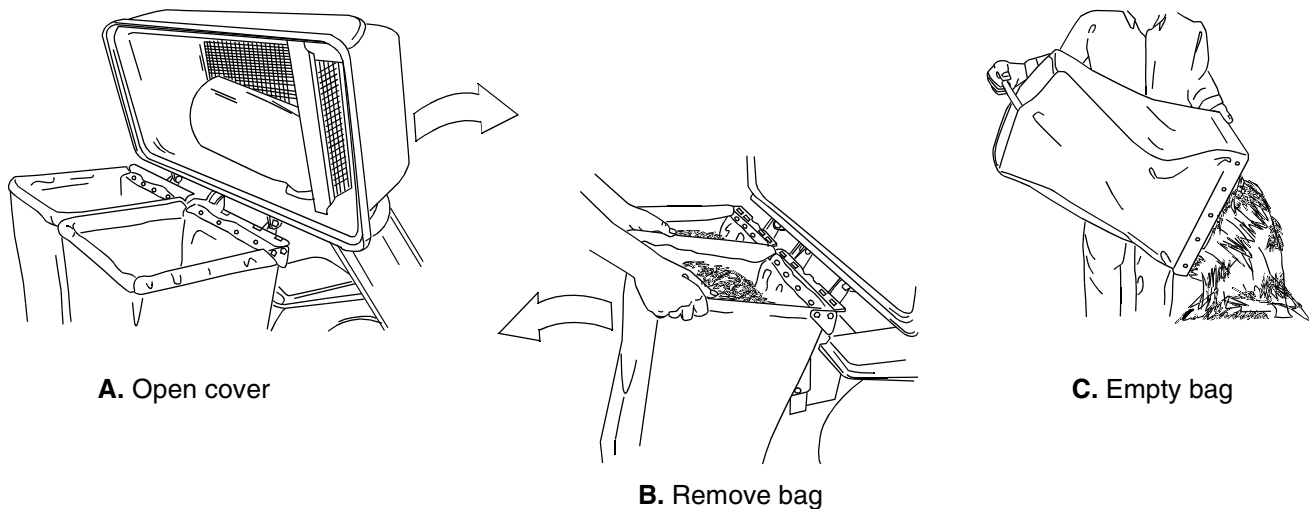
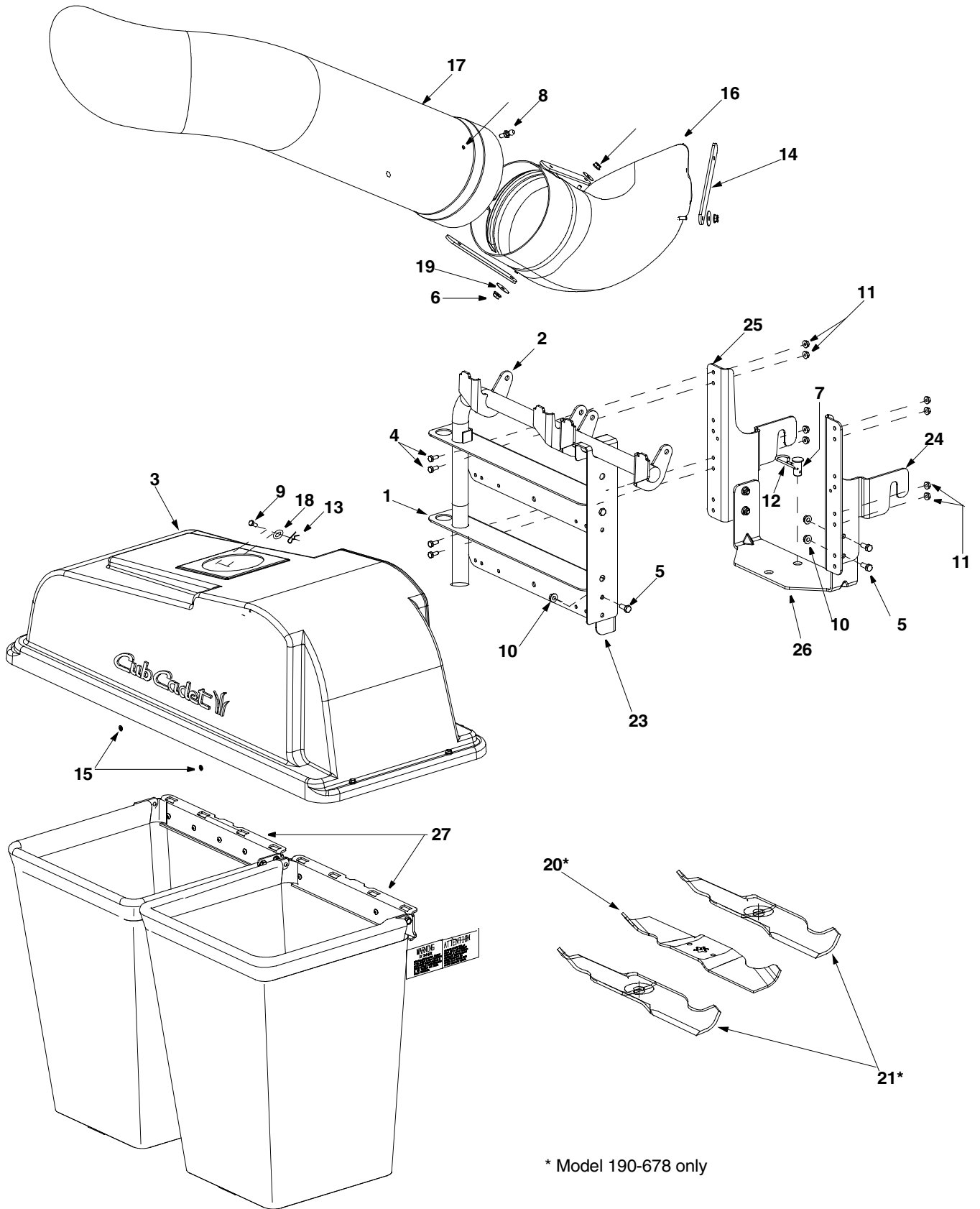


Figure 11

# SECTION 4: PARTS LIST



# Model 190-678-100

Ref. No.	Part No.	Description
1.	16587D	Support Bracket
2.	16592	Support Assembly: Grasscatcher Cover
3.	664-04017	Cover Assembly: Grasscatcher
4.	710-0751	Hex bolt: 1/4-20 x .620
5.	710-3008	Hex Bolt 5/16-18 x 0.75
6.	710-3015	Hex Bolt 1/4-20 x 0.75
7.	711-0309A	Clevis Pin
9.	711-1421	Clevis Pin
10.	712-3004A	Flange Lock Nut
11.	712-3027	Lock Nut 1/4-20
12.	714-0117	Hairpin Clip
13.	714-0145	Click Pin
14.	723-04008	Chute Retainer Strap
15.	726-3040	Push Nut
16.	731-04159	Discharge Chute (Model 678 only)
	731-04153	Discharge Chute (Model 670 only)
17.	731-0926B	Catcher Tube (Model 678 only)
	731-0899E	Catcher Tube (Model 670 only)
18.	736-0331	Bell Washer
19.	736-3092	Flat Washer
20.	742-3010	Cutting Blade (Model 678 only)
21.	742-3011	High Lift Blade (Model 678 only)
23.	783-0601	Support Bracket
24.	783-0673	Catcher Support Bracket RH
25.	783-0764	Catcher Support Bracket LH
26.	783-0765	Cross Support Bracket
27.	864-0221	Bag Assembly

# MANUFACTURER'S LIMITED WARRANTY FOR:



The limited warranty set forth below is given by Cub Cadet LLC with respect to new merchandise purchased and used in the United States, its possessions and territories.

Cub Cadet LLC warrants this product against defects for a period of two (2) years commencing on the date of original purchase and will, at its option, repair or replace, free of charge, any part found to be defective in materials or workmanship. This limited warranty shall only apply if this product has been operated and maintained in accordance with the Operator's Manual furnished with the product, and has not been subject to misuse, abuse, commercial use, neglect, accident, improper maintenance, alteration, vandalism, theft, fire, water, or damage because of other peril or natural disaster. Damage resulting from the installation or use of any accessory or attachment not approved by Cub Cadet LLC for use with the product(s) covered by this manual will void your warranty as to any resulting damage.

Normal wear parts or components thereof are subject to separate terms as follows: All normal wear parts or component failures will be covered on the product for a period of 90 days regardless of cause. After 90 days, but within the two year period, normal wear part failures will be covered ONLY IF caused by defects in materials or workmanship of OTHER component parts. Normal wear parts and components include, but are not limited to: batteries, belts, blades, blade adapters, grass bags, rider deck wheels, seats, snow thrower skid shoes, shave plates, auger spiral rubber, and tires.

**HOW TO OBTAIN SERVICE:** Warranty service is available, WITH PROOF OF PURCHASE, through your local authorized service dealer. To locate the dealer in your area, check your Yellow Pages, or contact Cub Cadet LLC at P.O. Box 361131, Cleveland, Ohio 44136-0019, or call 1-877-282-8684, or log on to our Web site at [www.cubcadet.com](http://www.cubcadet.com).

This limited warranty does not provide coverage in the following cases:

- a. The engine or component parts thereof. These items carry a separate manufacturer's warranty. Refer to applicable manufacturer's warranty for terms and conditions.
- b. Log splitter pumps, valves, and cylinders have a separate one year warranty.
- c. Routine maintenance items such as lubricants, filters, blade sharpening, tune-ups, brake adjustments, clutch adjustments, deck adjustments, and normal deterioration of the exterior finish due to use or exposure.

- d. Cub Cadet LLC does not extend any warranty for products sold or exported outside of the United States, its possessions and territories, except those sold through Cub Cadet LLC's authorized channels of export distribution.
- e. Parts that are not genuine Cub Cadet parts are not covered by this warranty.
- f. Service completed by someone other than an authorized service dealer is not covered by this warranty.
- g. Transportation charges and service calls are not covered.

**No implied warranty, including any implied warranty of merchantability of fitness for a particular purpose, applies after the applicable period of express written warranty above as to the parts as identified. No other express warranty, whether written or oral, except as mentioned above, given by any person or entity, including a dealer or retailer, with respect to any product, shall bind Cub Cadet LLC. During the period of the warranty, the exclusive remedy is repair or replacement of the product as set forth above.**

**The provisions as set forth in this warranty provide the sole and exclusive remedy arising from the sale. Cub Cadet LLC shall not be liable for incidental or consequential loss or damage including, without limitation, expenses incurred for substitute or replacement lawn care services or for rental expenses to temporarily replace a warranted product.**

Some states do not allow the exclusion or limitation of incidental or consequential damages, or limitations on how long an implied warranty lasts, so the above exclusions or limitations may not apply to you.

In no event shall recovery of any kind be greater than the amount of the purchase price of the product sold. **Alteration of safety features of the product shall void this warranty.** You assume the risk and liability for loss, damage, or injury to you and your property and/or to others and their property arising out of the misuse or inability to use the product.

This limited warranty shall not extend to anyone other than the original purchaser or to the person for whom it was purchased as a gift.

**HOW STATE LAW RELATES TO THIS WARRANTY:** This limited warranty gives you specific legal rights, and you may also have other rights which vary from state to state.

**Cub Cadet LLC, P.O. BOX 361131 CLEVELAND, OHIO 44136-0019; Phone: 1-877-282-8684**

## Free Manuals Download Website

<http://myh66.com>

<http://usermanuals.us>

<http://www.somanuals.com>

<http://www.4manuals.cc>

<http://www.manual-lib.com>

<http://www.404manual.com>

<http://www.luxmanual.com>

<http://aubethermostatmanual.com>

Golf course search by state

<http://golfingnear.com>

Email search by domain

<http://emailbydomain.com>

Auto manuals search

<http://auto.somanuals.com>

TV manuals search

<http://tv.somanuals.com>